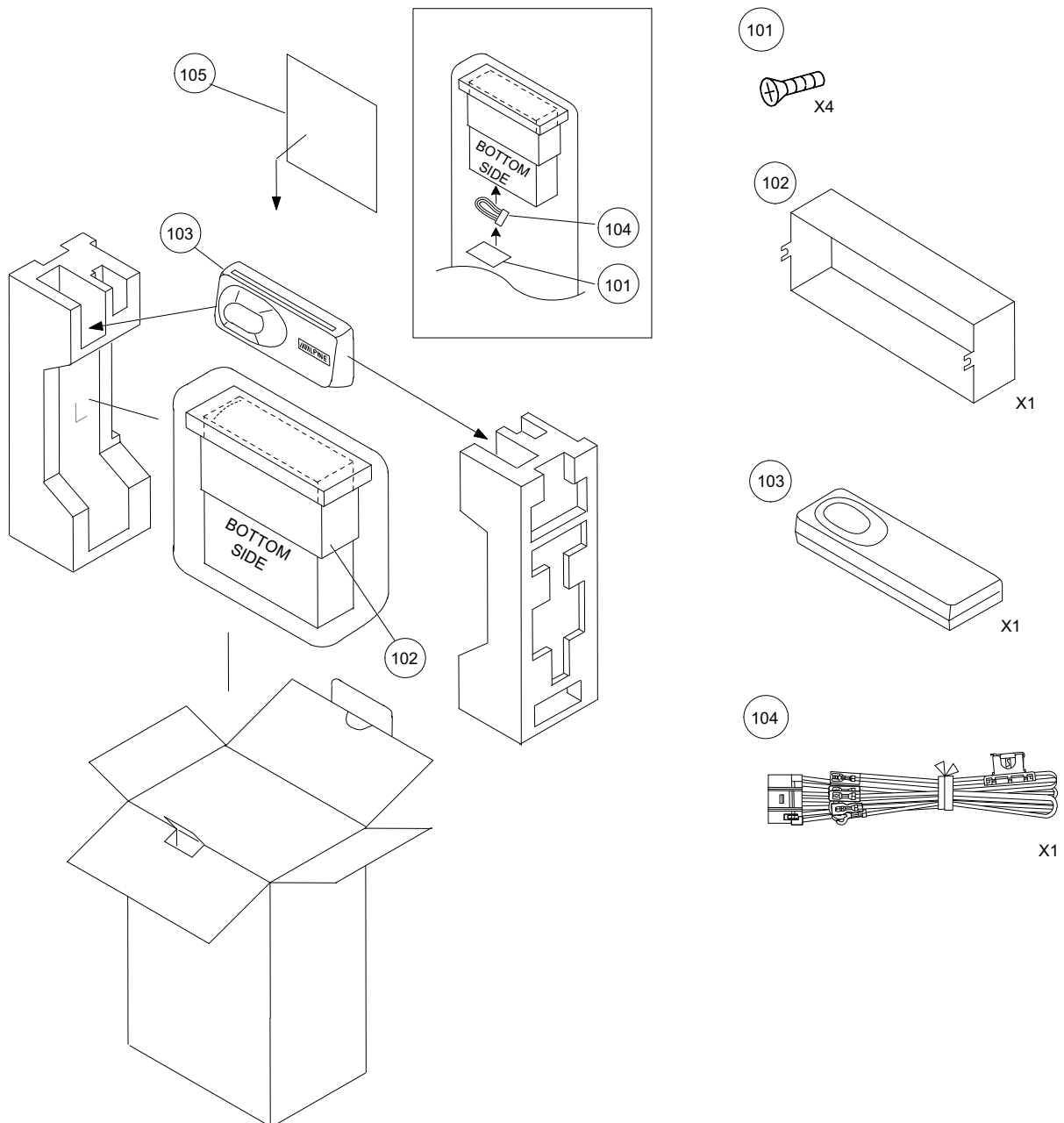


# Packing Assembly Parts List

Symbol No.	Part No.	Description
101	03S72235F13	SCR,MCH M5X8 FLAT
102	15D00529K02	CASE,INNER
103	15D01798K01	CARRYING,CASE

Symbol No.	Part No.	Description
104	01T75469W09	ASSY,WIRE PWR 7843E
105	68P02294K49	O/M/AOAM AODN

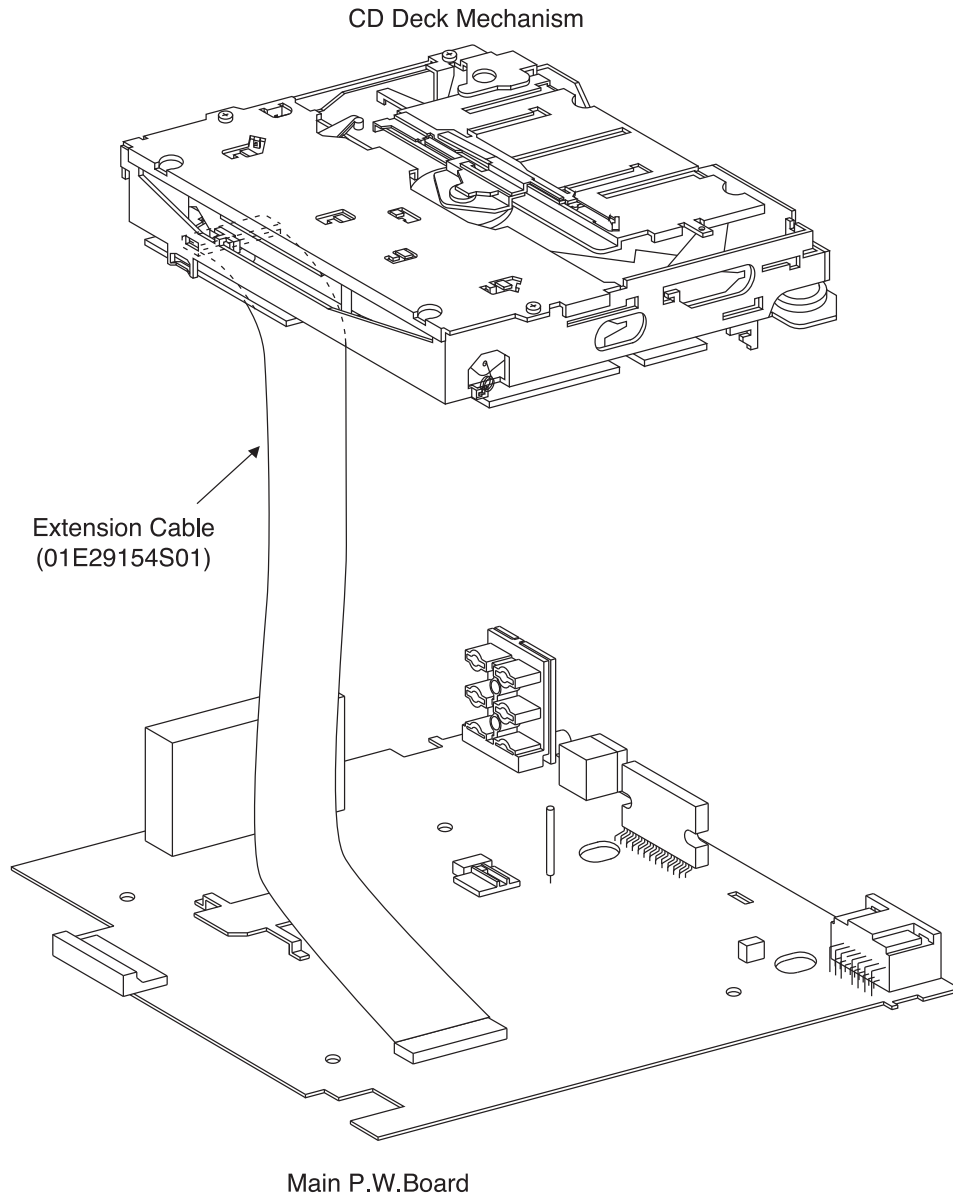
## Packing Method View



TO CONTENTS

# Extension Cable

\* When repairing or measuring the voltage of this unit, connect with the Extension Cable as shown in below.



CDA-9805

## Electrical Parts List

\*\*\*\*\*MAIN P.W.Board

=====IC's

IC001	51T93333F01	NJM2904M-TE3	-SE2
IC051	51T85265W02	LC72191JM	-SE9
IC103	51T15131Y01	NJM2360AM-TE2	-SE6
IC201	51T35261Y01	TDA7404	-SE9
IC221	51T45654Y02	TC94A04AFD-015	-QT
IC251	51T15420Y01	BA4560F-E2	-SE2
IC260	51T15420Y01	BA4560F-E2	-SE2
IC261	51T15420Y01	BA4560F-E2	-SE2
IC262	51T15420Y01	BA4560F-E2	-SE2
IC301	51T55148Y01	TA8273H	-ZS
IC320	51T15420Y01	BA4560F-E2	-SE2
IC321	51T15420Y01	BA4560F-E2	-SE2
IC601	51T65270Y01	IC,M30624MGA-XXX	-QT
IC652	51T65016Y19	S-80930CNMC-T2	-CP
IC660	51T93332F01	IC,NJM2903M-TE3	-SE2
IC661	51T25422Y02	TC7W04FK-TE85L	-CP
IC681	51T95193W01	TDA3606AT	-SE9
IC805	51T65166Y01	MAX829EUK	-CP

=====Transistors

Q003	48T64221F02	TR ,UN2112 22-22	-TX
Q030	48T94875F04	DTB,CP-123YK-96	
Q031	48T93828F04	TR,2SD1994A-S-TA	-RD
Q032	48T45594W12	TR ,XN1A312	-TX-CP
Q033	48T52438F04	TR ,2SD601A-S /TX-CP	
Q034	48T93828F04	TR,2SD1994A-S-TA	-RD
Q052	48T63420F01	TR,2SA1037AK-146	-CP
Q053	48T62967F03	TR,DTC124EKA-T146	-CP
Q102	48T15511W02	CP,2SB1261-TE2	-E5
Q103	48T73888F12	TR ,CP.FMC2-99	
Q260	48T62967F33	TR,DTC343TK-T146	-CP
Q261	48T62967F33	TR,DTC343TK-T146	-CP
Q262	48T62967F33	TR,DTC343TK-T146	-CP
Q263	48T62967F33	TR,DTC343TK-T146	-CP
Q264	48T62967F33	TR,DTC343TK-T146	-CP
Q265	48T62967F33	TR,DTC343TK-T146	-CP
Q301	48T64222F02	TR ,UN2212 22-22	-TX
Q601	48T73888F12	TR ,CP.FMC2-99	
Q603	48T64221F11	TR,UN211L-TX	-CP
Q652	48T73888F12	TR ,CP.FMC2-99	
Q653	48T73888F13	TR ,CP FMC3-99	
Q660	48T52437F05	TR ,2SB709A-S /TX-CP	
Q661	48T64221F02	TR ,UN2112 22-22	-TX
Q662	48T52438F04	TR ,2SD601A-S /TX-CP	
Q681	48T73888F12	TR ,CP.FMC2-99	
Q682	48T56031F01	TR ,2SD1266-P,Q	
Q683	48T73888F12	TR ,CP.FMC2-99	
Q801	48T63420F01	TR,2SA1037AK-146	-CP
Q802	48T62967F03	TR,DTC124EKA-T146	-CP
Q821	48T73888F12	TR ,CP.FMC2-99	
Q823	48T92368F04	TR,2SD1760 R	-E5

Q830	48T93828F04	TR,2SD1994A-S-TA -RD
Q831	48T63420F01	TR,2SA1037AK-146 -CP
Q832	48T62967F03	TR,DTC124EKA-T146-CP
Q841	48T84366F04	TR,2SB1243-QR-TV2-RD
Q842	48T62967F01	TR,DTC143EKA-T146-CP
Q843	48T84366F04	TR,2SB1243-QR-TV2-RD
Q844	48T62967F01	TR,DTC143EKA-T146-CP
Q847	48T84366F04	TR,2SB1243-QR-TV2-RD
Q848	48T62967F05	TR,DTC143XKA-T146-CP
Q849	48T92368F04	TR,2SD1760 R -E5
Q862	48T73888F12	TR ,CP.FMC2-99
Q863	48T64222F02	TR ,UN2212 22-22 -TX
=====Diodes		
D001	48T85357W01	DIO,1PS226 -CP
D030	48T85357W01	DIO,1PS226 -CP
D301	48T85270W01	DIO,MPG06G -A5
D302	48T85270W01	DIO,MPG06G -A5
D303	48T85270W01	DIO,MPG06G -A5
D304	48T85270W01	DIO,MPG06G -A5
D305	48T85270W01	DIO,MPG06G -A5
D306	48T85270W01	DIO,MPG06G -A5
D307	48T85270W01	DIO,MPG06G -A5
D308	48T85270W01	DIO,MPG06G -A5
D603	48T25651W02	DIO,MA152WK-TX -CP
D653	48T68828F01	DIO,1SS133 -A5
D660	48T68828F01	DIO,1SS133 -A5
D661	48T25651W01	DIO,CP MA152WA
D662	48T25651W02	DIO,MA152WK-TX -CP
D801	48T25593Y01	DIO,S1G-6904 -E1
D802	48T95294W01	DIO,SHT MA740-TX -CP
D831	48T85270W01	DIO,MPG06G -A5
D861	48T25665Y01	DIO,1SS355-TE17 -CP
SD101	48T85269W01	DIO,SHT SB040 -A5
SD801	48T68580F03	DIO,SI DSA3A4-F5
ZD001	48T83128F23	DIO,ZEN.HZS 9B2L -A5
ZD652	48T83128F14	DIO,ZEN.HZS 7B2L -A5
ZD681	48T83128F04	DIO,ZEN.HZS 6B1L -A5
ZD821	48T83128F27	DIO,ZEN.HZS 9C3L -A5
ZD830	48T83128F26	DIO,ZEN.HZS 9C2L -A5
ZD841	48T83128F25	DIO,ZEN.HZS 9C1L -A5
=====Filters		
CF001	91T75257W02	LPF,LPF11830KH-3C-DB
Z001	91T65112W06	EMI,BK2125HM102 -CP
Z221	91T65112W06	EMI,BK2125HM102 -CP
Z222	91T65112W06	EMI,BK2125HM102 -CP
Z260	24T35072W03	FBI,BL02RN1R2P1A -R5
Z601	91T65112W06	EMI,BK2125HM102 -CP
Z602	24T35072W01	FBI,BL01RN1A1E1A -A1
=====Coils		
L001	24T50508F18	COI,IND.4R7-K -A1
L101	24T16271W13	COIL,RCR875D-221K
L801	25T01879K01	CHOKE,LAT1608-105-DB
L802	24T16271W21	IND,RCR-875D 102K +
L803	24T16271W21	IND,RCR-875D 102K +
L804	24T16271W21	IND,RCR-875D 102K +
=====Crystals		
XL051	91T25806W43	XTL,7.200M -AT51-TP

XL221	91T55274Y01	XTL,NX5032GA 33.8-E2
XL601	91T15849W02	XTAL,32.768KHZ
XL602	91T55217Y04	XTL,NX8045GB 16.0-E5
=====Switches		
SW603	40T16096W03	SW ,TACT SKHHLW (RESET)
SW604	40T45282W02	SW,SLIDE SLD-42-508X (Ai-NET(EQ/DIV)/NORM)
=====Poly Switch		
PS841	48T95226W01	TMT,PTGL05BA1R8M1-R5
=====Surge Protector		
SA001	48T81909F01	PTT,DSP-201M -A1
=====Thermistor		
TH601	48T93439F06	TMT, 104 -R2
=====Capacitors		
C001	08S45676W73	CAP,CER.103K-B1H -CP
C003	08S45677W60	CAP,CER 102J-CH1H-CP
C004	08S45676W85	CAP,CER 104K-B1C -CP
C005	08S45677W60	CAP,CER 102J-CH1H-CP
C011	08S45676W80	CAP,CER 223K-B1E -CP
C012	08S45676W80	CAP,CER 223K-B1E -CP
C020	08S45676W87	CAP,CER 333K-B1E -CP
C021	08T55390W21	CAP,TF 223J-1H -R5
C022	08S45676W87	CAP,CER 333K-B1E -CP
C030	08S45676W73	CAP,CER.103K-B1H -CP
C051	08S45676W80	CAP,CER 223K-B1E -CP
C052	08S45677W22	CAP,CER.27RJ-CH1H-CP
C053	08S45677W22	CAP,CER.27RJ-CH1H-CP
C054	08S45677W60	CAP,CER 102J-CH1H-CP
C055	08S45677W60	CAP,CER 102J-CH1H-CP
C103	08S45677W60	CAP,CER 102J-CH1H-CP
C126	08S45677W60	CAP,CER 102J-CH1H-CP
C127	08S45677W38	CAP,CER 121J-CH1H-CP
C128	08S65128F79	CAP,CER.273K-B1H -CP
C218	08S45677W36	CAP,CER.101J-CH1H-CP
C219	08S45677W36	CAP,CER.101J-CH1H-CP
C220	08S35349Y08	CAP,CER 102K-B1H -CP
C221	08S35350Y04	CAP,CER 105K-B1C -CP
C223	08S35374W01	CAP,CER 104K-B1E-CP
C224	08S35374W01	CAP,CER 104K-B1E-CP
C225	08S35374W01	CAP,CER 104K-B1E-CP
C226	08S35374W01	CAP,CER 104K-B1E-CP
C227	08S45677W14	CAP,CER.12RJ-CH1H-CP
C228	08S45677W14	CAP,CER.12RJ-CH1H-CP
C229	08S45676W65	CAP,CER.222K-B1H -CP
C230	08S45676W65	CAP,CER.222K-B1H -CP
C233	08S35374W01	CAP,CER 104K-B1E-CP
C234	08S35374W01	CAP,CER 104K-B1E-CP
C241	08S45676W69	CAP,CER.472K-B1H -CP
C242	08S45676W69	CAP,CER.472K-B1H -CP
C260	08S45677W16	CAP,CER.15RJ-CH1H-CP
C261	08S45677W16	CAP,CER.15RJ-CH1H-CP
C262	08S45677W16	CAP,CER.15RJ-CH1H-CP
C263	08S45677W16	CAP,CER.15RJ-CH1H-CP
C264	08S45677W16	CAP,CER.15RJ-CH1H-CP
C265	08S45677W16	CAP,CER.15RJ-CH1H-CP
C266	08S45677W60	CAP,CER 102J-CH1H-CP

C267	08S45677W60	CAP,CER 102J-CH1H-CP
C268	08S45677W60	CAP,CER 102J-CH1H-CP
C269	08S45677W60	CAP,CER 102J-CH1H-CP
C270	08S45677W60	CAP,CER 102J-CH1H-CP
C271	08S45677W60	CAP,CER 102J-CH1H-CP
C301	08S65128F90	CAP,CER 473K-B1H -CP
C302	08S45676W93	CAP,CER 224K-B1A -CP
C303	08T35122W17	CAP,MMTS-224-J -R5
C304	08T35122W17	CAP,MMTS-224-J -R5
C305	08T35122W17	CAP,MMTS-224-J -R5
C306	08T35122W17	CAP,MMTS-224-J -R5
C307	08S45677W60	CAP,CER 102J-CH1H-CP
C320	08S45677W16	CAP,CER.15RJ-CH1H-CP
C321	08S45677W16	CAP,CER.15RJ-CH1H-CP
C322	08S45677W16	CAP,CER.15RJ-CH1H-CP
C323	08S45677W16	CAP,CER.15RJ-CH1H-CP
C600	08S35374W01	CAP,CER 104K-B1E-CP
C601	08S45677W20	CAP,CER.22RJ-CH1H-CP
C602	08S65128F90	CAP,CER 473K-B1H -CP
C603	08S45677W14	CAP,CER.12RJ-CH1H-CP
C604	08S45677W14	CAP,CER.12RJ-CH1H-CP
C605	08S45677W18	CAP,CER.18RJ-CH1H-CP
C606	08S35349Y08	CAP,CER 102K-B1H -CP
C607	08S35374W01	CAP,CER 104K-B1E-CP
C608	08S45676W73	CAP,CER.103K-B1H -CP
C651	08S35374W01	CAP,CER 104K-B1E-CP
C660	08S65128F78	CAP,CER.223K-B1H -CP
C661	08S45677W22	CAP,CER.27RJ-CH1H-CP
C662	08S45677W36	CAP,CER.101J-CH1H-CP
C680	08S60102F44	CAP,CER 474K-B1E -CP
C681	08S45676W80	CAP,CER 223K-B1E -CP
C682	08S45676W80	CAP,CER 223K-B1E -CP
C683	08S45676W73	CAP,CER.103K-B1H -CP
C684	08S53332F47	CAP,CP .103-K-B -CP
C801	08S65128F90	CAP,CER 473K-B1H -CP
C802	08S65128F78	CAP,CER.223K-B1H -CP
C803	08T65231Y01	CAP,CER 226K-BJ1A-CP
C804	08S60102F48	CAP,CER 105K-B1E -CP
C805	08S60102F48	CAP,CER 105K-B1E -CP
C806	08T65231Y01	CAP,CER 226K-BJ1A-CP
C807	08T65231Y01	CAP,CER 226K-BJ1A-CP
C810	08S45539Y04	CAP,CER 103KX7R2J-CP
C811	08S45539Y04	CAP,CER 103KX7R2J-CP
C813	08S45539Y04	CAP,CER 103KX7R2J-CP
C814	08S45539Y04	CAP,CER 103KX7R2J-CP
C829	08S35374W01	CAP,CER 104K-B1E-CP
C830	08S35374W01	CAP,CER 104K-B1E-CP
C831	08S45539Y04	CAP,CER 103KX7R2J-CP
C832	08T55390W34	CAP,TF 274J-1H -R5
E002	23S75373W13	CAP,ELY 1R0-1H -R2
E020	23S75373W06	CAP,ELY 101-1C -R2
E021	23S75373W06	CAP,ELY 101-1C -R2
E022	23S82372F19	CAP,ELY.2R2-1H-BP-R2
E030	23S75373W06	CAP,ELY 101-1C -R2
E031	23S75372W03	CAP,ELY 221-1A -H2
E032	23S75373W04	CAP,ELY 33R-1C -R2
E051	23S75373W03	CAP,ELY 22R-1C -R2

E121	23T55378W03	CAP,KMG 471-1A	-R2
E122	23S75372W08	CAP,ELY 101-1C	-H2
E201	23S75372W09	CAP,ELY 4R7-1V	-R2
E202	23S75372W09	CAP,ELY 4R7-1V	-R2
E203	23S75372W15	CAP,ELY 1R0-1H	-R2
E204	23S75372W15	CAP,ELY 1R0-1H	-R2
E205	23S75372W16	CAP,ELY 2R2-1H	-R2
E206	23S75372W16	CAP,ELY 2R2-1H	-R2
E207	23S75372W07	CAP,ELY 47R-1C	-R2
E208	23S75372W08	CAP,ELY 101-1C	-H2
E209	23S75372W16	CAP,ELY 2R2-1H	-R2
E220	23T15765Y88	CAP,TAN 10R-1E-E	-E1
E221	23S65134W11	CAP,ELY 22R-0J(4)	-E2
E222	23S65134W11	CAP,ELY 22R-0J(4)	-E2
E223	23S75372W07	CAP,ELY 47R-1C	-R2
E224	23S75372W07	CAP,ELY 47R-1C	-R2
E225	23S75372W07	CAP,ELY 47R-1C	-R2
E226	23S75372W07	CAP,ELY 47R-1C	-R2
E227	23S65134W41	CAP,ELY 4R7-1E(3)	-E2
E228	23S65134W41	CAP,ELY 4R7-1E(3)	-E2
E229	23S65134W12	CAP,ELY 47R-0J(5)	-E3
E230	23S65134W12	CAP,ELY 47R-0J(5)	-E3
E235	23S75372W03	CAP,ELY 221-1A	-H2
E236	23S65134W72	CAP,ELY 3R3-1H(4)	-E2
E237	23S65134W72	CAP,ELY 3R3-1H(4)	-E2
E251	23S75372W05	CAP,ELY 22R-1C	-R2
E252	23S75372W05	CAP,ELY 22R-1C	-R2
E260	23S75372W15	CAP,ELY 1R0-1H	-R2
E261	23S75372W15	CAP,ELY 1R0-1H	-R2
E262	23S75372W15	CAP,ELY 1R0-1H	-R2
E263	23S75372W15	CAP,ELY 1R0-1H	-R2
E264	23S75372W15	CAP,ELY 1R0-1H	-R2
E265	23S75372W15	CAP,ELY 1R0-1H	-R2
E266	23S75373W13	CAP,ELY 1R0-1H	-R2
E267	23S75373W13	CAP,ELY 1R0-1H	-R2
E268	23S75372W15	CAP,ELY 1R0-1H	-R2
E269	23S75372W15	CAP,ELY 1R0-1H	-R2
E270	23S75372W15	CAP,ELY 1R0-1H	-R2
E271	23S75372W15	CAP,ELY 1R0-1H	-R2
E281	23S75373W14	CAP,ELY 2R2-1H	-R2
E282	23S75373W14	CAP,ELY 2R2-1H	-R2
E283	23S75373W14	CAP,ELY 2R2-1H	-R2
E284	23S75373W14	CAP,ELY 2R2-1H	-R2
E285	23S75373W14	CAP,ELY 2R2-1H	-R2
E286	23S75373W14	CAP,ELY 2R2-1H	-R2
E302	23S75372W11	CAP,ELY R22-1H	-R2
E303	23S75372W04	CAP,ELY 10R-1C	-R2
E304	23S75372W15	CAP,ELY 1R0-1H	-R2
E310	23S75373W02	CAP,ELY 10R-1C	-R2
E311	23S75373W02	CAP,ELY 10R-1C	-R2
E312	23S75373W02	CAP,ELY 10R-1C	-R2
E313	23S75373W02	CAP,ELY 10R-1C	-R2
E320	23S75372W15	CAP,ELY 1R0-1H	-R2
E321	23S75372W15	CAP,ELY 1R0-1H	-R2
E602	23S75372W05	CAP,ELY 22R-1C	-R2
E660	23S75372W05	CAP,ELY 22R-1C	-R2
E682	23S75372W06	CAP,ELY 33R-1C	-R2

E685	23S75372W07	CAP,ELY 47R-1C -R2
E686	23S75372W15	CAP,ELY 1R0-1H -R2
E801	23T75346W03	CAP,X-PRO 332-1C +
E803	23S75372W05	CAP,ELY 22R-1C -R2
E804	23T95564W09	CAP,FC 22R-1C-C -E3
E805	23T95564W09	CAP,FC 22R-1C-C -E3
E807	23T95564W09	CAP,FC 22R-1C-C -E3
E809	23S75372W05	CAP,ELY 22R-1C -R2
E821	23S75372W15	CAP,ELY 1R0-1H -R2
E830	23S75372W04	CAP,ELY 10R-1C -R2
E831	23S75372W07	CAP,ELY 47R-1C -R2
E843	23S75372W06	CAP,ELY 33R-1C -R2
E844	23S75372W03	CAP,ELY 221-1A -H2
E845	23S75372W08	CAP,ELY 101-1C -H2
E861	23S75373W05	CAP,ELY 47R-1C -R2
E862	23S75372W03	CAP,ELY 221-1A -H2

=====Resistors

R001	06S70072F05	RES,CP .10R-J-1/4-CP
R002	06S45674W97	RES,RK 473J 1/10 -CP
R004	06S45674W33	RES,RK 101J 1/10 -CP
R006	06S45675W43	RES,RK JUMPER1/10-CP
R012	06S45675W43	RES,RK JUMPER1/10-CP
R013	06S45675W43	RES,RK JUMPER1/10-CP
R020	06S45674W89	RES,RK 223J 1/10 -CP
R021	06S45674W74	RES,RK 512J 1/10 -CP
R022	06S70072F17	RES,CP .33R-J-1/4-CP
R024	06S45674W57	RES,RK 102J 1/10 -CP
R025	06S45674W67	RES,RK 272J 1/10 -CP
R026	06S45674W65	RES,RK 222J 1/10 -CP
R027	06S45674W89	RES,RK 223J 1/10 -CP
R029	06S45674W81	RES,RK 103J 1/10 -CP
R030	06S45674W79	RES,RK 822J 1/10 -CP
R031	06S45674W93	RES,RK 333J 1/10 -CP
R032	06S70072F78	RES,CP .2R2-J-1/4-CP
R033	06S45674W95	RES,RK 393J 1/10 -CP
R034	06S45675W06	RES,RK 104J 1/10 -CP
R035	06S70072F78	RES,CP .2R2-J-1/4-CP
R036	06S45675W12	RES,RK 184J 1/10 -CP
R037	06S70072F41	RES,CP .331-J-1/4-CP
R039	06S70072F69	RES,CP .472-J-1/4-CP
R040	06S70072F29	RES,CP .101-J-1/4-CP
R051	06S45674W91	RES,RK 273J 1/10 -CP
R052	06S45674W70	RES,RK 362J 1/10 -CP
R053	06S45674W81	RES,RK 103J 1/10 -CP
R101	06S45674W89	RES,RK 223J 1/10 -CP
R102	06S45674W89	RES,RK 223J 1/10 -CP
R121	06S70072F29	RES,CP .101-J-1/4-CP
R122	06S45675W22	RES,RK 474J 1/10 -CP
R123	06S15593Y82	RES,RK 243F 1/10 -CP
R124	06S15593Y66	RES,RK 512F 1/10 -CP
R126	06S70072F47	RES,CP .561-J-1/4-CP
R127	06S70072F47	RES,CP .561-J-1/4-CP
R131	06S45674W93	RES,RK 333J 1/10 -CP
R132	06S45674W93	RES,RK 333J 1/10 -CP
R201	06S45674W45	RES,RK 331J 1/10 -CP
R202	06S45674W45	RES,RK 331J 1/10 -CP
R221	06S45674W45	RES,RK 331J 1/10 -CP

R222	06S45674W45	RES,RK 331J 1/10 -CP
R223	06S45675W43	RES,RK JUMPER1/10-CP
R224	06S45675W30	RES,RK 105J 1/10 -CP
R225	06S45674W57	RES,RK 102J 1/10 -CP
R228	06S45674W42	RES,RK 241J-1/10 -CP
R229	06S45674W42	RES,RK 241J-1/10 -CP
R230	06S45675W28	RES,RK 824J 1/10 -CP
R243	06S45674W57	RES,RK 102J 1/10 -CP
R244	06S45674W57	RES,RK 102J 1/10 -CP
R251	06S45674W58	RES,RK 112J 1/10 -CP
R252	06S45674W58	RES,RK 112J 1/10 -CP
R253	06S45674W58	RES,RK 112J 1/10 -CP
R254	06S45674W93	RES,RK 333J 1/10 -CP
R260	06S45675W02	RES,RK 683J 1/10 -CP
R261	06S45675W02	RES,RK 683J 1/10 -CP
R262	06S45675W02	RES,RK 683J 1/10 -CP
R263	06S45675W02	RES,RK 683J 1/10 -CP
R264	06S45675W02	RES,RK 683J 1/10 -CP
R265	06S45675W02	RES,RK 683J 1/10 -CP
R266	06S45674W89	RES,RK 223J 1/10 -CP
R267	06S45674W89	RES,RK 223J 1/10 -CP
R268	06S45674W89	RES,RK 223J 1/10 -CP
R269	06S45674W89	RES,RK 223J 1/10 -CP
R270	06S45674W89	RES,RK 223J 1/10 -CP
R271	06S45674W89	RES,RK 223J 1/10 -CP
R272	06S45674W41	RES,RK 221J 1/10 -CP
R273	06S45674W41	RES,RK 221J 1/10 -CP
R274	06S45674W41	RES,RK 221J 1/10 -CP
R275	06S45674W41	RES,RK 221J 1/10 -CP
R276	06S45674W41	RES,RK 221J 1/10 -CP
R277	06S45674W41	RES,RK 221J 1/10 -CP
R278	06S45674W97	RES,RK 473J 1/10 -CP
R279	06S45674W97	RES,RK 473J 1/10 -CP
R280	06S45674W97	RES,RK 473J 1/10 -CP
R281	06S45674W97	RES,RK 473J 1/10 -CP
R282	06S45674W97	RES,RK 473J 1/10 -CP
R283	06S45674W97	RES,RK 473J 1/10 -CP
R284	06S45674W33	RES,RK 101J 1/10 -CP
R285	06S45674W33	RES,RK 101J 1/10 -CP
R286	06S45674W33	RES,RK 101J 1/10 -CP
R287	06S45674W33	RES,RK 101J 1/10 -CP
R288	06S45674W33	RES,RK 101J 1/10 -CP
R289	06S45674W33	RES,RK 101J 1/10 -CP
R290	06S45674W89	RES,RK 223J 1/10 -CP
R291	06S45674W89	RES,RK 223J 1/10 -CP
R292	06S45674W89	RES,RK 223J 1/10 -CP
R293	06S45674W89	RES,RK 223J 1/10 -CP
R294	06S45674W89	RES,RK 223J 1/10 -CP
R295	06S45674W89	RES,RK 223J 1/10 -CP
R296	06S64996F39	RES,RK JUMPER 1/8-CP
R297	06S64996F39	RES,RK JUMPER 1/8-CP
R301	06S45675W43	RES,RK JUMPER1/10-CP
R302	06S45675W43	RES,RK JUMPER1/10-CP
R303	06S45675W43	RES,RK JUMPER1/10-CP
R304	06S45675W43	RES,RK JUMPER1/10-CP
R305	06S45674W81	RES,RK 103J 1/10 -CP
R308	06S45674W33	RES,RK 101J 1/10 -CP

R320	06S45674W89	RES,RK 223J 1/10 -CP
R321	06S45674W89	RES,RK 223J 1/10 -CP
R322	06S45674W89	RES,RK 223J 1/10 -CP
R323	06S45674W89	RES,RK 223J 1/10 -CP
R324	06S45674W89	RES,RK 223J 1/10 -CP
R325	06S45674W89	RES,RK 223J 1/10 -CP
R326	06S45674W89	RES,RK 223J 1/10 -CP
R327	06S45674W89	RES,RK 223J 1/10 -CP
R600	06S35095Y07	RES,RK 104J 1/4 -CP
R601	06S45674W83	RES,RK 123J 1/10 -CP
R604	06S45674W97	RES,RK 473J 1/10 -CP
R605	06S45674W89	RES,RK 223J 1/10 -CP
R607	06S70072F53	RES,CP .102-J-1/4-CP
R608	06S45674W57	RES,RK 102J 1/10 -CP
R609	06S45674W57	RES,RK 102J 1/10 -CP
R610	06S45674W57	RES,RK 102J 1/10 -CP
R611	06S45674W57	RES,RK 102J 1/10 -CP
R612	06S45674W57	RES,RK 102J 1/10 -CP
R613	06S45674W57	RES,RK 102J 1/10 -CP
R614	06S45674W57	RES,RK 102J 1/10 -CP
R615	06S45674W45	RES,RK 331J 1/10 -CP
R616	06S45674W49	RES,RK 471J 1/10 -CP
R618	06S35095Y03	RES,RK 473J 1/4 -CP
R620	06S45674W57	RES,RK 102J 1/10 -CP
R621	06S45674W57	RES,RK 102J 1/10 -CP
R622	06S45674W57	RES,RK 102J 1/10 -CP
R623	06S45674W57	RES,RK 102J 1/10 -CP
R626	06S45674W65	RES,RK 222J 1/10 -CP
R628	06S45674W83	RES,RK 123J 1/10 -CP
R629	06S45674W97	RES,RK 473J 1/10 -CP
R630	06S45674W83	RES,RK 123J 1/10 -CP
R632	06S45674W57	RES,RK 102J 1/10 -CP
R633	06S45675W06	RES,RK 104J 1/10 -CP
R634	06S64995F85	RES,RK 223J 1/8 -CP
R635	06S45674W89	RES,RK 223J 1/10 -CP
R636	06S45674W89	RES,RK 223J 1/10 -CP
R637	06S64995F53	RES,RK 102J 1/8 -CP
R638	06S64995F77	RES,RK 103J 1/8 -CP
R639	06S64995F53	RES,RK 102J 1/8 -CP
R640	06S64995F53	RES,RK 102J 1/8 -CP
R641	06S64995F53	RES,RK 102J 1/8 -CP
R642	06S64995F53	RES,RK 102J 1/8 -CP
R643	06S64995F53	RES,RK 102J 1/8 -CP
R644	06S64995F53	RES,RK 102J 1/8 -CP
R646	06S45674W81	RES,RK 103J 1/10 -CP
R648	06S64995F53	RES,RK 102J 1/8 -CP
R650	06S45674W57	RES,RK 102J 1/10 -CP
R651	06S70072F53	RES,CP .102-J-1/4-CP
R652	06S45675W22	RES,RK 474J 1/10 -CP
R653	06S64995F77	RES,RK 103J 1/8 -CP
R654	06S70072F69	RES,CP .472-J-1/4-CP
R655	06S70072F69	RES,CP .472-J-1/4-CP
R657	06S15593Y73	RES,RK 103F 1/10 -CP
R658	06S15593Y63	RES,RK 392F 1/10 -CP
R660	06S70072F05	RES,CP .10R-J-1/4-CP
R661	06S45674W81	RES,RK 103J 1/10 -CP
R662	06S45674W73	RES,RK 472J 1/10 -CP

R663	06S45674W59	RES,RK 122J 1/10 -CP
R664	06S45674W81	RES,RK 103J 1/10 -CP
R665	06S70072F19	RES,CP .39R-J-1/4-CP
R666	06S45674W65	RES,RK 222J 1/10 -CP
R667	06S45674W61	RES,RK 152J 1/10 -CP
R668	06S45674W77	RES,RK 682J 1/10 -CP
R669	06S45674W77	RES,RK 682J 1/10 -CP
R670	06S70072F19	RES,CP .39R-J-1/4-CP
R671	06S70072F19	RES,CP .39R-J-1/4-CP
R672	06S45674W61	RES,RK 152J 1/10 -CP
R673	06S45674W65	RES,RK 222J 1/10 -CP
R674	06S45674W81	RES,RK 103J 1/10 -CP
R675	06S45674W81	RES,RK 103J 1/10 -CP
R676	06S70072F19	RES,CP .39R-J-1/4-CP
R677	06S45674W89	RES,RK 223J 1/10 -CP
R678	06S45674W81	RES,RK 103J 1/10 -CP
R679	06S45674W75	RES,RK 562J 1/10 -CP
R680	06S70072F63	RES,CP .272-J-1/4-CP
R682	06S70072F53	RES,CP .102-J-1/4-CP
R686	06S15593Y99	RES,RK 124F 1/10 -CP
R688	06S35095Y03	RES,RK 473J 1/4 -CP
R689	06S45674W99	RES,RK 563J 1/10 -CP
R690	06S55362Y26	RES,RK 334J 1/4 -CP
R801	06S70072F39	RES,CP .271-J-1/4-CP
R802	06S70072F77	RES,CP .103-J-1/4-CP
R803	06S70072F39	RES,CP .271-J-1/4-CP
R806	06S45675W08	RES,RK 124J 1/10 -CP
R807	06S45674W65	RES,RK 222J 1/10 -CP
R808	06S45674W91	RES,RK 273J 1/10 -CP
R809	06S45675W08	RES,RK 124J 1/10 -CP
R810	06T45541Y01	RES,RS 12RJ 2W -
R821	06S70072F43	RES,CP .391-J-1/4-CP
R828	06S70072F41	RES,CP .331-J-1/4-CP
R829	06S45674W91	RES,RK 273J 1/10 -CP
R830	06S45674W65	RES,RK 222J 1/10 -CP
R831	06S70072F77	RES,CP .103-J-1/4-CP
R832	06S45674W90	RES,RK 243J 1/10 -CP
R833	06S70072F58	RES,CF .162-J-1/4-CP
R834	06S70072F59	RES,CP .182-J-1/4-CP
R835	06S45674W90	RES,RK 243J 1/10 -CP
R836	06S70072F58	RES,CF .162-J-1/4-CP
R837	06S70072F59	RES,CP .182-J-1/4-CP
R842	06S70072F69	RES,CP .472-J-1/4-CP
R843	06S45674W73	RES,RK 472J 1/10 -CP
R847	06S70072F77	RES,CP .103-J-1/4-CP
R848	06S70072F59	RES,CP .182-J-1/4-CP
R849	06S70072F59	RES,CP .182-J-1/4-CP
R850	06S70072F59	RES,CP .182-J-1/4-CP
R851	06S70072F59	RES,CP .182-J-1/4-CP
R852	06S70072F47	RES,CP .561-J-1/4-CP
R861	06S70072F29	RES,CP .101-J-1/4-CP
R864	06S45674W84	RES,RK 133J 1/10 -CP

=====Connectors

CB800	09T25436Y02	WTB,53253-0210 -DB
CH102	09T25684Y22	FFC,SLW22R-1C7 -DB

\*\*\*\*\*FRONT P.W.Board

=====IC's			
IC401	51T02347K01	PT6583LQ	-QT
IC403	51T55235Y01	TC74VHC595FT-EL	-SE5
=====Transistors			
Q452	48T52438F04	TR ,2SD601A-S /TX-CP	
Q453	48T52438F04	TR ,2SD601A-S /TX-CP	
Q454	48T64222F02	TR ,UN2212 22-22 -TX	
=====Diodes			
D400	48T85357W01	DIO,1PS226	-CP
D401	48T85357W01	DIO,1PS226	-CP
D402	48T85357W01	DIO,1PS226	-CP
D403	48T85357W01	DIO,1PS226	-CP
D404	48T85357W01	DIO,1PS226	-CP
D405	48T85357W01	DIO,1PS226	-CP
D415	48T81063F01	DIO,CP.MA159 / TX-CP	
D416	48T81063F01	DIO,CP.MA159 / TX-CP	
D417	48T81063F01	DIO,CP.MA159 / TX-CP	
ZD401	48T62934F26	DIO,ZEN.RD6.2MB3	-CP
=====Switches			
SW401	40T65353Y01	SW,TACT SKRSPACE010E2	(FWD/UP)
SW402	40T65353Y01	SW,TACT SKRSPACE010E2	(BWD/DN)
SW403	40T65353Y01	SW,TACT SKRSPACE010E2	(MX)
SW404	40T65353Y01	SW,TACT SKRSPACE010E2	(5/M.I.X.)
SW405	40T65353Y01	SW,TACT SKRSPACE010E2	(SOURCE/POWER)
SW406	40T65353Y01	SW,TACT SKRSPACE010E2	(1)
SW407	40T65353Y01	SW,TACT SKRSPACE010E2	(6/SCAN)
SW408	40T65353Y01	SW,TACT SKRSPACE010E2	(PLAY/PAUSE/TUNE/A.ME)
SW409	40T65353Y01	SW,TACT SKRSPACE010E2	(CENTER f)
SW410	40T65353Y01	SW,TACT SKRSPACE010E2	(2)
SW411	40T65353Y01	SW,TACT SKRSPACE010E2	(F/SETUP)
SW412	40T65353Y01	SW,TACT SKRSPACE010E2	(FOLDER SEARCH)
SW413	40T65353Y01	SW,TACT SKRSPACE010E2	(3)
SW414	40T65353Y01	SW,TACT SKRSPACE010E2	(MUTE/B.OUT)
SW415	40T65353Y01	SW,TACT SKRSPACE010E2	(FOLDER UP)
SW416	40T65353Y01	SW,TACT SKRSPACE010E2	(BAND/TEL.)
SW417	40T65353Y01	SW,TACT SKRSPACE010E2	(FOLDER DOWN)
SW418	40T65353Y01	SW,TACT SKRSPACE010E2	(4/REPEAT)
SW419	40T65353Y01	SW,TACT SKRSPACE010E2	(EJECT)

SW420	40T65353Y01	SW,TACT SKRSPACE010E2 (DISP/TITLE/CLK)
=====LED's		
LD450	48T25534Y01	LED,GRN BG1111C -CP
LD452	48T25534Y01	LED,GRN BG1111C -CP
LD453	48T25534Y01	LED,GRN BG1111C -CP
LD454	48T25534Y01	LED,GRN BG1111C -CP
LD458	48T25534Y01	LED,GRN BG1111C -CP
LD459	48T25534Y03	LED,AMB AA1111C -CP
LD460	48T25534Y02	LED,RED BR1111C -CP
LD464	48T25534Y01	LED,GRN BG1111C -CP
LD465	48T25534Y01	LED,GRN BG1111C -CP
LD466	48T25534Y01	LED,GRN BG1111C -CP
LD467	48T25534Y01	LED,GRN BG1111C -CP
LD468	48T25534Y01	LED,GRN BG1111C -CP
LD469	48T25534Y01	LED,GRN BG1111C -CP
LD474	48T65176Y01	LED,GRN DG1111C -CP
LD475	48T25534Y03	LED,AMB AA1111C -CP
LD476	48T25534Y02	LED,RED BR1111C -CP
=====Lamps		
PL451	65T35324Y02	LAMP,GRN 6-80 -E5
PL452	65T35324Y02	LAMP,GRN 6-80 -E5
PL453	65T35324Y02	LAMP,GRN 6-80 -E5
PL454	65T35324Y02	LAMP,GRN 6-80 -E5
PL455	65T45309Y03	LAMP,CLRGRN 9-100-E5
PL456	65T45309Y03	LAMP,CLRGRN 9-100-E5
=====Capacitors		
C401	08S45676W80	CAP,CER 223K-B1E -CP
C402	08S45676W80	CAP,CER 223K-B1E -CP
C404	08S45677W58	CAP,CER 821J-CH1H-CP
C405	08S45676W89	CAP,CER 473K-B1E -CP
C406	08S45676W89	CAP,CER 473K-B1E -CP
C407	08S45676W89	CAP,CER 473K-B1E -CP
C410	08S45676W89	CAP,CER 473K-B1E -CP
C411	08S45677W36	CAP,CER.101J-CH1H-CP
=====Resistors		
R401	06S64995F86	RES,RK 243J 1/8 -CP
R402	06S45674W57	RES,RK 102J 1/10 -CP
R403	06S45674W57	RES,RK 102J 1/10 -CP
R404	06S45674W57	RES,RK 102J 1/10 -CP
R405	06S45674W57	RES,RK 102J 1/10 -CP
R406	06S45674W57	RES,RK 102J 1/10 -CP
R407	06S45674W97	RES,RK 473J 1/10 -CP
R408	06S64995F53	RES,RK 102J 1/8 -CP
R409	06S64995F77	RES,RK 103J 1/8 -CP
R410	06S64995F77	RES,RK 103J 1/8 -CP
R411	06S64995F77	RES,RK 103J 1/8 -CP
R412	06S64995F53	RES,RK 102J 1/8 -CP
R413	06S64995F53	RES,RK 102J 1/8 -CP
R414	06S64995F86	RES,RK 243J 1/8 -CP
R415	06S64995F77	RES,RK 103J 1/8 -CP
R419	06S45674W73	RES,RK 472J 1/10 -CP
R420	06S45675W06	RES,RK 104J 1/10 -CP
R421	06S45674W57	RES,RK 102J 1/10 -CP
R422	06S45674W57	RES,RK 102J 1/10 -CP
R423	06S45674W57	RES,RK 102J 1/10 -CP
R424	06S45674W57	RES,RK 102J 1/10 -CP

R425	06S45674W57	RES,RK 102J 1/10 -CP
R426	06S45674W57	RES,RK 102J 1/10 -CP
R427	06S45674W57	RES,RK 102J 1/10 -CP
R428	06S45674W57	RES,RK 102J 1/10 -CP
R429	06S45674W57	RES,RK 102J 1/10 -CP
R430	06S45674W57	RES,RK 102J 1/10 -CP
R431	06S45674W57	RES,RK 102J 1/10 -CP
R432	06S45674W57	RES,RK 102J 1/10 -CP
R433	06S45674W57	RES,RK 102J 1/10 -CP
R434	06S45674W57	RES,RK 102J 1/10 -CP
R436	06S45674W73	RES,RK 472J 1/10 -CP
R437	06S45674W73	RES,RK 472J 1/10 -CP
R438	06S45674W89	RES,RK 223J 1/10 -CP
R453	06S70072F15	RES,CP .27R-J-1/4-CP
R454	06S70072F15	RES,CP .27R-J-1/4-CP
R455	06S70072F35	RES,CP .181-J-1/4-CP
R456	06S70072F37	RES,CP .221-J-1/4-CP
R457	06S70072F35	RES,CP .181-J-1/4-CP
R458	06S70072F37	RES,CP .221-J-1/4-CP
R459	06S70072F39	RES,CP .271-J-1/4-CP
R460	06S70072F39	RES,CP .271-J-1/4-CP
R465	06S70072F39	RES,CP .271-J-1/4-CP
R466	06S70072F65	RES,CP .332-J-1/4-CP
R467	06S70072F41	RES,CP .331-J-1/4-CP
R468	06S70072F39	RES,CP .271-J-1/4-CP
R469	06S70072F39	RES,CP .271-J-1/4-CP
R470	06S70072F69	RES,CP .472-J-1/4-CP
R471	06S70072F69	RES,CP .472-J-1/4-CP
R477	06S35095Y08	RES,RK JUMPER 1/4-CP
R478	06S70072F09	RES,CP .15R-J-1/4-CP
R479	06S70072F09	RES,CP .15R-J-1/4-CP
R482	06S70072F39	RES,CP .271-J-1/4-CP
R483	06S70072F68	RES,CP .432-J-1/4-CP
R484	06S70072F41	RES,CP .331-J-1/4-CP
R487	06S35095Y08	RES,RK JUMPER 1/4-CP

\*\*\*\*\*DP-S MAIN P.W.Board

=====IC's

IC201	51T55329Y02	IC,D789026GB-A82 -QT
IC301	51T55156Y01	UPD63711A -QT
IC302	51T55295Y01	AN80M50RSPE1 -NE5
IC401	51T55093Y01	BA5984FP-E2 -SEA

=====Transistors

Q301	48T55462Y01	TR,2SB1132-QR-100-E2
Q401	48T94606F03	TR,DTC124EUA-T106-CP

=====Diode

D401	48T81063F01	DIO,CP.MA159 / TX-CP
------	-------------	----------------------

=====Crystals

CL201	91T45281Y03	OSC,CER CSTCR4M19-E1
CL301	91T55147Y01	OSC,CER CSACV16M9-E1

=====Capacitors

C238	08S45676W85	CAP,CER 104K-B1C -CP
C240	08S45676W85	CAP,CER 104K-B1C -CP
C241	08S45676W73	CAP,CER.103K-B1H -CP
C246	08S45676W85	CAP,CER 104K-B1C -CP
C302	08S45676W85	CAP,CER 104K-B1C -CP
C304	08S45676W80	CAP,CER 223K-B1E -CP

C305	08S45676W85	CAP,CER 104K-B1C -CP
C306	08S45676W85	CAP,CER 104K-B1C -CP
C308	08S45676W85	CAP,CER 104K-B1C -CP
C310	08S45676W85	CAP,CER 104K-B1C -CP
C311	08S45676W73	CAP,CER.103K-B1H -CP
C314	08S45676W65	CAP,CER.222K-B1H -CP
C315	08S45676W65	CAP,CER.222K-B1H -CP
C318	08S45676W73	CAP,CER.103K-B1H -CP
C319	08S45676W85	CAP,CER 104K-B1C -CP
C320	08S45676W85	CAP,CER 104K-B1C -CP
C321	08S45676W85	CAP,CER 104K-B1C -CP
C322	08S45676W87	CAP,CER 333K-B1E -CP
C323	08S45676W85	CAP,CER 104K-B1C -CP
C324	08S45676W85	CAP,CER 104K-B1C -CP
C325	08S45676W68	CAP,CER.392K-B1H -CP
C326	08S45676W93	CAP,CER 224K-B1A -CP
C327	08S45677W20	CAP,CER.22RJ-CH1H-CP
C328	08S45677W03	CAP,CER 1R5C-CH1H-CP
C330	08S45677W30	CAP,CER.56RJ-CH1H-CP
C331	08S45677W26	CAP,CER.39RJ-CH1H-CP
C332	08S45676W85	CAP,CER 104K-B1C -CP
C334	08S45676W85	CAP,CER 104K-B1C -CP
C336	08S45676W85	CAP,CER 104K-B1C -CP
C341	08S45677W20	CAP,CER.22RJ-CH1H-CP
C345	08S45677W60	CAP,CER 102J-CH1H-CP
C346	08S45677W60	CAP,CER 102J-CH1H-CP
C409	08S45676W85	CAP,CER 104K-B1C -CP
C449	08S45677W40	CAP,CER.151J-CH1H-CP
C450	08S45677W54	CAP,CER 561J-CH1H-CP
E239	23T45152Y02	CAP,RA 47R-05 -E5
E301	23T45152Y02	CAP,RA 47R-05 -E5
E303	23S55311W35	CAP,TAN 10R-1C-B -CP
E310	23S55311W35	CAP,TAN 10R-1C-B -CP
E316	23T45152Y02	CAP,RA 47R-05 -E5
E317	23T45152Y03	CAP,RA 22R-OJ -E5
E329	23S55311W28	CAP,TAN 22R-1A-B -CP
E331	23S55311W31	CAP,TAN.2R2-1C-A -CP
E333	23T45152Y04	CAP,RA 10R-1C -E5
E337	23T45152Y02	CAP,RA 47R-05 -E5
E338	23S55311W35	CAP,TAN 10R-1C-B -CP
E407	23T45152Y04	CAP,RA 10R-1C -E5

=====Resistors

R201	06S45674W97	RES,RK 473J 1/10 -CP
R202	06S45674W97	RES,RK 473J 1/10 -CP
R203	06S45674W97	RES,RK 473J 1/10 -CP
R212	06S45674W33	RES,RK 101J 1/10 -CP
R226	06S45674W93	RES,RK 333J 1/10 -CP
R228	06S45674W81	RES,RK 103J 1/10 -CP
R229	06S45674W97	RES,RK 473J 1/10 -CP
R230	06S45674W33	RES,RK 101J 1/10 -CP
R246	06S45675W43	RES,RK JUMPER1/10-CP
R250	06S45674W97	RES,RK 473J 1/10 -CP
R251	06S45674W97	RES,RK 473J 1/10 -CP
R252	06S45674W97	RES,RK 473J 1/10 -CP
R253	06S45674W97	RES,RK 473J 1/10 -CP
R254	06S45674W97	RES,RK 473J 1/10 -CP
R255	06S45674W97	RES,RK 473J 1/10 -CP

R256	06S45674W97	RES,RK 473J 1/10 -CP
R257	06S45674W97	RES,RK 473J 1/10 -CP
R258	06S45674W97	RES,RK 473J 1/10 -CP
R259	06S45674W97	RES,RK 473J 1/10 -CP
R260	06S45674W97	RES,RK 473J 1/10 -CP
R261	06S45674W97	RES,RK 473J 1/10 -CP
R262	06S45674W97	RES,RK 473J 1/10 -CP
R263	06S45674W97	RES,RK 473J 1/10 -CP
R264	06S45674W97	RES,RK 473J 1/10 -CP
R265	06S45674W97	RES,RK 473J 1/10 -CP
R266	06S45674W97	RES,RK 473J 1/10 -CP
R270	06S45674W93	RES,RK 333J 1/10 -CP
R301	06S70072F05	RES,CP .10R-J-1/4-CP
R302	06S70072F05	RES,CP .10R-J-1/4-CP
R311	06S45675W43	RES,RK JUMPER1/10-CP
R316	06S45674W41	RES,RK 221J 1/10 -CP
R317	06S45674W41	RES,RK 221J 1/10 -CP
R323	06S45674W81	RES,RK 103J 1/10 -CP
R324	06S45674W95	RES,RK 393J 1/10 -CP
R325	06S45674W78	RES,RK 752J 1/10 -CP
R331	06S45675W43	RES,RK JUMPER1/10-CP
R332	06S45675W43	RES,RK JUMPER1/10-CP
R333	06S45675W43	RES,RK JUMPER1/10-CP
R334	06S45675W43	RES,RK JUMPER1/10-CP
R341	06S45675W43	RES,RK JUMPER1/10-CP
R343	06S45674W93	RES,RK 333J 1/10 -CP
R344	06S45674W93	RES,RK 333J 1/10 -CP
R345	06S45674W93	RES,RK 333J 1/10 -CP
R401	06S45675W06	RES,RK 104J 1/10 -CP
R402	06S45674W33	RES,RK 101J 1/10 -CP
R403	06S64995F87	RES,RK 273J 1/8 -CP
R404	06S45674W95	RES,RK 393J 1/10 -CP
R405	06S45674W85	RES,RK 153J 1/10 -CP
R406	06S45674W81	RES,RK 103J 1/10 -CP
R407	06S45674W81	RES,RK 103J 1/10 -CP
R408	06S45674W89	RES,RK 223J 1/10 -CP
R409	06S45674W81	RES,RK 103J 1/10 -CP
R410	06S45674W81	RES,RK 103J 1/10 -CP
R411	06S45674W89	RES,RK 223J 1/10 -CP
R434	06S45674W33	RES,RK 101J 1/10 -CP
R435	06S45674W33	RES,RK 101J 1/10 -CP
R436	06S45674W33	RES,RK 101J 1/10 -CP
R437	06S45674W33	RES,RK 101J 1/10 -CP
RA201	06S45591W07	RES,ARY MNR101J 4-CP
RA202	06S45591W07	RES,ARY MNR101J 4-CP

=====**Connectors**

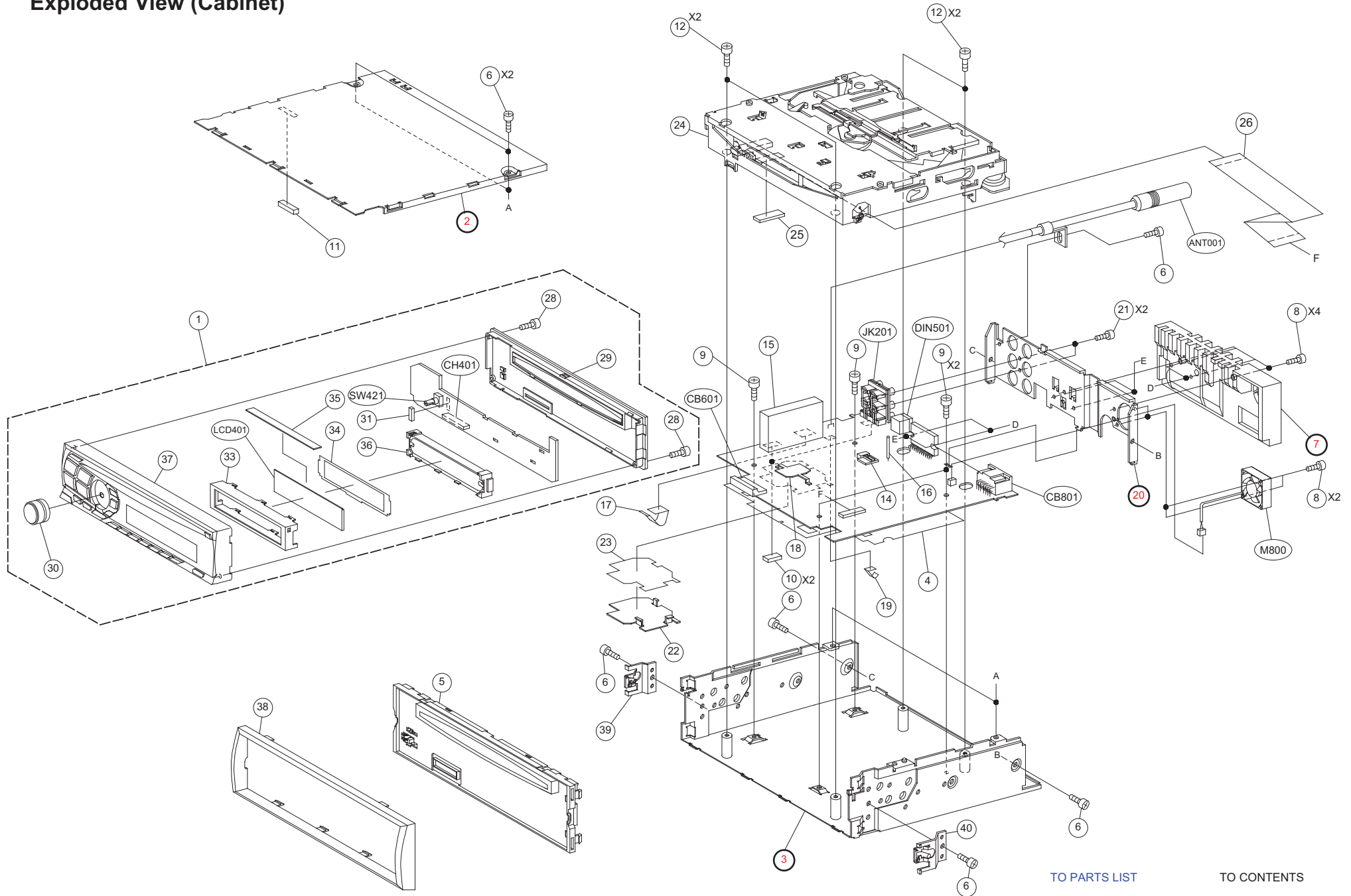
CB101	09T45435W22	FFC,52207-2290 -EQ
CB102	09T45435W15	FFC,52207-1590 -ED
CB103	09T45435W07	FFC,52207-0790 -E9

\*\*\*\*\***Miscellaneous**

ANT001	01T02127K08	ASSY,ANT CABLE 9805A
CB601	09T65330Y15	BTB,TMD-V15X-A1 -DB
CB801	09T35343Y16	WTB,IMSA9451B-16 -DB
CH401	09T15298Y15	BTB,TMD-V15P-A1 -B
DIN501	09T55071W11	CON,TCP9389-11 -DT
JK201	09T03083K01	RCA,AV6-901C -DB

LCD401	65T65153Y02	(FRONT/REAR/SUB-W)
M800	59T55190Y03	LCD,WTD-21655AAHU
		MOTOR,F2510CT-12UCV
		(FAN MOTOR/12V-40mA)
SW421	40T45670W44	ENC,EC11B15243 -DB
		(ROTARY ENCODER/MODE)
*****DP23S2AO		
HD101	81B50360Y01	PICKUP,EP21A67L
M101	01V56100Y14	ASSY,MOTOR WORM 2BO
		(3.5V-80mA)
M102	01V56100Y12	ASSY,MOTOR SLED 2BO
		(3.5V-80mA)
M103	01V56100Y11	ASSY,MTR SPINDOL 2BO
		(3V-90mA)
SW1	40T15494Y01	SW,DETCT SPVG23 -E6
		(12cm DISC DETECT
		(EJECT POSITION/RELOAD))
SW2	40T15494Y02	SW,DETCT SPVG13 -E6
		(8/12cm DISC DETECT
		(INSERT/PULL OUT))
SW3	40T15494Y07	SW,DETCT SPVG21 -E6
		(8cm DISC DETECT
		(EJECT POSITION/RELOAD))
SW4	40T15494Y01	SW,DETCT SPVG23 -E6
		(DISC CHUCKING END DETECT)
SW105	40T71025F03	SW,DETCT SPPB120
		(LIMIT)

# Exploded View (Cabinet)



CDA-9805

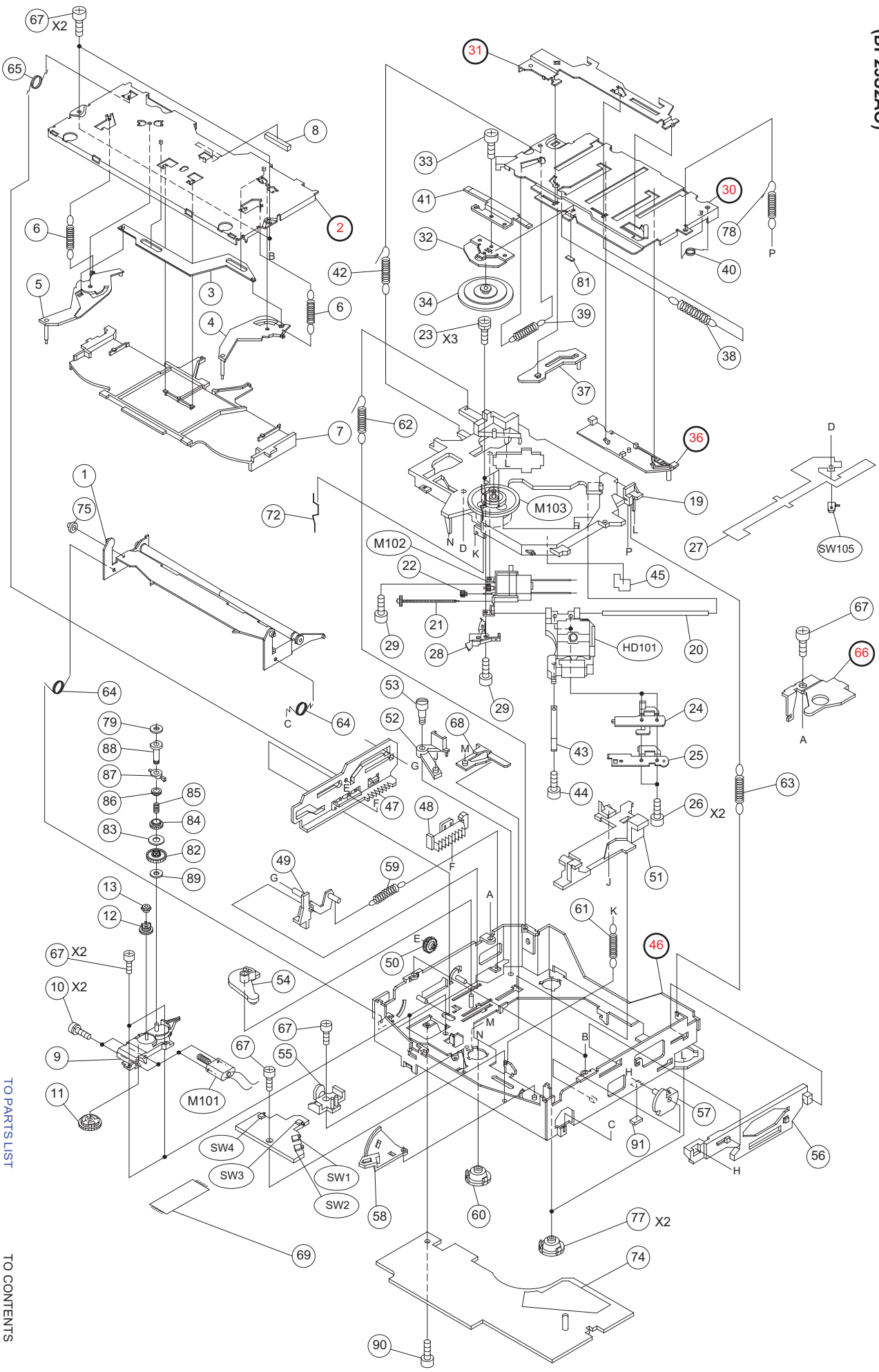
## Cabinet Assembly Parts List

Notes : The part that has not PART NUMBER will not be supplied.

1	01V64300Y02	ASSY,NOSE UNIT 05AN
2	-----	COVER, TOP
3	-----	CHAS, BASE
4	14B02859K01	INSULATOR, MAIN
5	13C02811K01	NOSE, BASE ASSY
6	03S44205G29	SCR, T-TITE M2.6X6
7	-----	HEAT, SINK(H)
8	03S38013W02	SCR, T-TITE M2.6X14
9	03T25225Y01	SCR, GND
10	75T25010Y53	CUSHION, SHLD5-5.5-7
11	75T25010Y33	CUSHION, SHLD5-5.5-25
12	03S44205G07	SCR, T-TITE M2.6X5
14	36A70327W01	KNOB, SLIDE
15	77T55272Y01	MX-A062(TU001)
16	09T84840F01	LUG, STYLE 18MM
17	41T45486Y03	SPRING, SHIELD(1P)
18	15A03511K01	CASE, SHIELD(A)
19	41A03685K01	SPRING, SHIELD
20	-----	BKT, CHAS REAR(H)
21	03S68555F16	SCR, WAVE M2.6X8
22	15A03512K01	CASE, SHIELD(B)
23	14A03533K01	INS, SHIELD
24	81D50617Y01	DP23S2AO, CD MECH
25	75S40755Y78	CUS, RUB 11X5XT4.5
26	30T03013K03	SMCD22X120BDX6(BL)M
28	03S71677F56	SCR, B-TITE M1.7X12
29	13D02810K01	NOSE, BOTTOM
30	36B02841K01	KNOB, ROTARY ASSY
31	75S40755Y94	CUS, RUB 10X2XT3
33	15B01768K01	COVER, LCD
34	26A41975Y01	REFLECTOR, SHEET
35	75T03213K02	RUBBER, ELECTRIC
36	15D01772K01	CASE, LCD ASSY
37	13C02845K01	NOSE, PIECE ASSY(H)
38	33C01797K01	FACE, PLATE
39	07D00749K01	BKT, SIDE L
40	07D00749K02	BKT, SIDE R

# Exploded View (CD Deck Mechanism)

(DP23S2A0)



TO PARTS LIST

TO CONTENTS

CDA-9805

## CD Deck Mechanism Assembly Parts List

Note: The part that has not PART NUMBER will not be supplied.

1	01V43800Y84	ASSY,ARM GUIDE 280
2	-----	CHASSIS, TOP
3	45B11564Y02	LEVER, LINK-TOP
4	45B11595Y02	LEVER DISC(R)
5	45B11596Y02	LEVER, DISC(L)
6	41B11613Y16	SPRING, PULL
7	15D50248Y01	GUIDE, TOP-DPS2
8	75A21286Y04	CUSHION, CLAMPER DPS2
9	07C50608Y01	BKT, MOTOR LOAD-P
10	03S40014G07	SCR, MCH M2X4
11	44B11578Y02	GEAR, (A)
12	44B11579Y02	GEAR, (B)
13	44B11580Y02	GEAR, (C)
19	27D11602Y04	CHASSIS, PICKUP
20	47A11575Y01	SHAFT, PICK
21	01V28100Y59	ASSY, SHAFT. SCREW
22	44A70590W03	GEAR, MIDDLE
23	03S72235F96	SCR, MCH M1.7X3.5(SW)
24	07B30337Y02	BKT, SPRING NUT
25	41A11606Y10	SPRING, NUT
26	03S94385F18	SCR, NYLON M2X3.5
27	84T01803K01	PANEL, FPC CONT
28	41B11566Y10	SPRING SHAFT
29	03S70494F13	SCR, P-TITE M2X6 BLK
30	-----	ASSY, RIV. ARM CLAMP
31	-----	LEVER, LOCK
32	07A11565Y02	PLATE, CLAMP
33	03S94385F01	SCR, NYLOK M1.7X2.3
34	43A41812Y02	TABLE, CLAMPER2
36	-----	SLIDER DISC
37	45A11599Y02	LEVER, ACTUATOR
38	41B11613Y03	SPRING, PULL
39	41B11613Y05	SPRING, LEV-ACT
40	41A11609Y01	SPRING, LEVER
41	41B40574Y10	SPRING, PLATE-S
42	41B11613Y15	SPRING, PULL
43	41A11040Y10	SPRING, SLED-HOE
44	03S70494F52	SCR, P-TITE M1.4X4.5
45	43A21240Y01	SHEET, FPC PICK
46	-----	ASSY, RIV CHAS BASE
47	45B40510Y02	SLIDER, LOAD
48	44B40527Y02	RACK
49	45A11601Y02	LEVER, TRIGER
50	44B11581Y02	GEAR, (D)
51	45B11594Y02	SLIDER, LOCK(L)
52	45A11592Y02	ARM, LOCK(L2)
53	03A11574Y01	SCREW, LOCK
54	45B11591Y02	ARM, LOCK(L1)
55	07A50606Y01	BKT, MOTOR WIRE-P
56	45B11593Y02	SLIDER, LOCK(R)

57	45B11607Y02	ARM,LOCK(R)
58	45A11597Y02	LEVER,SW
59	41B11613Y04	SPRING,TRIGER
60	75C30466Y04	DAMPER,DPS2
61	41B11613Y06	SPRING,PULL
62	41B11613Y07	SPRING,PULL
63	41B11613Y08	SPRING,PULL
64	41A40518Y01	SPRING,ROL
65	41A31894Y02	SPRING,SLIDER
66	-----	BKT,SP-TOP
67	03A21791Y01	SCREW,M2X3.5 S-TITE
68	07B20905Y02	BKT,FPC CONT
69	30T15126W15	WIRE,PC JOINT 7P
72	41A21613Y02	SPRING,SPINDLE
74	14A30831Y01	INS,CVR
75	43A31443Y01	ROLLER,ARM DISC (C)
77	75C30466Y05	DAMPER,DPS2
78	41B11613Y14	SPLING,PULL
79	04B41345P52	WASH,1.6X3.5X0.25
81	75A21286Y02	CUSHION,CLAMPER BACK
82	44B40523Y02	GEAR,BASE
83	04A40528Y01	WASHER,FELT
84	44A40524Y02	GEAR,CLUTCH
85	41A40529Y01	SPRING,CLUTCH
86	44A40525Y02	GEAR,PINION
87	15A40526Y02	HOLDER,CLUTCH
88	43A41446Y02	SLEEVE,CLUTCH
89	04B41345P25	WASH,L. 3.1X6X0.35
90	03S44205G99	SCR, T-TITE M2X3
91	75A21286Y05	CUSHION,PWB