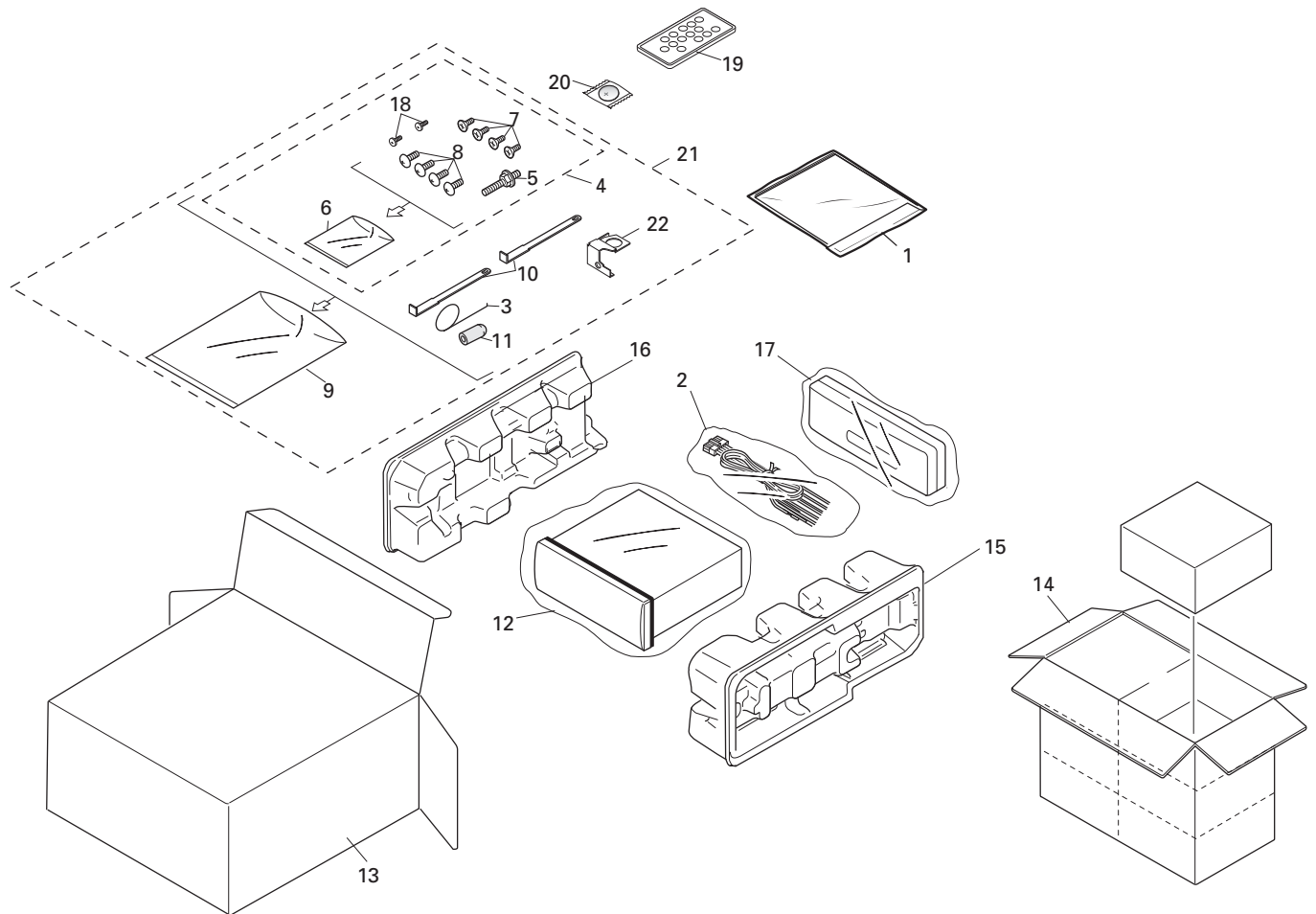


2. EXPLODED VIEWS AND PARTS LIST

2.1 PACKING



NOTE:

- Parts marked by "*" are generally unavailable because they are not in our Master Spare Parts List.
- Screws adjacent to ∇ mark on the product are used for disassembly.

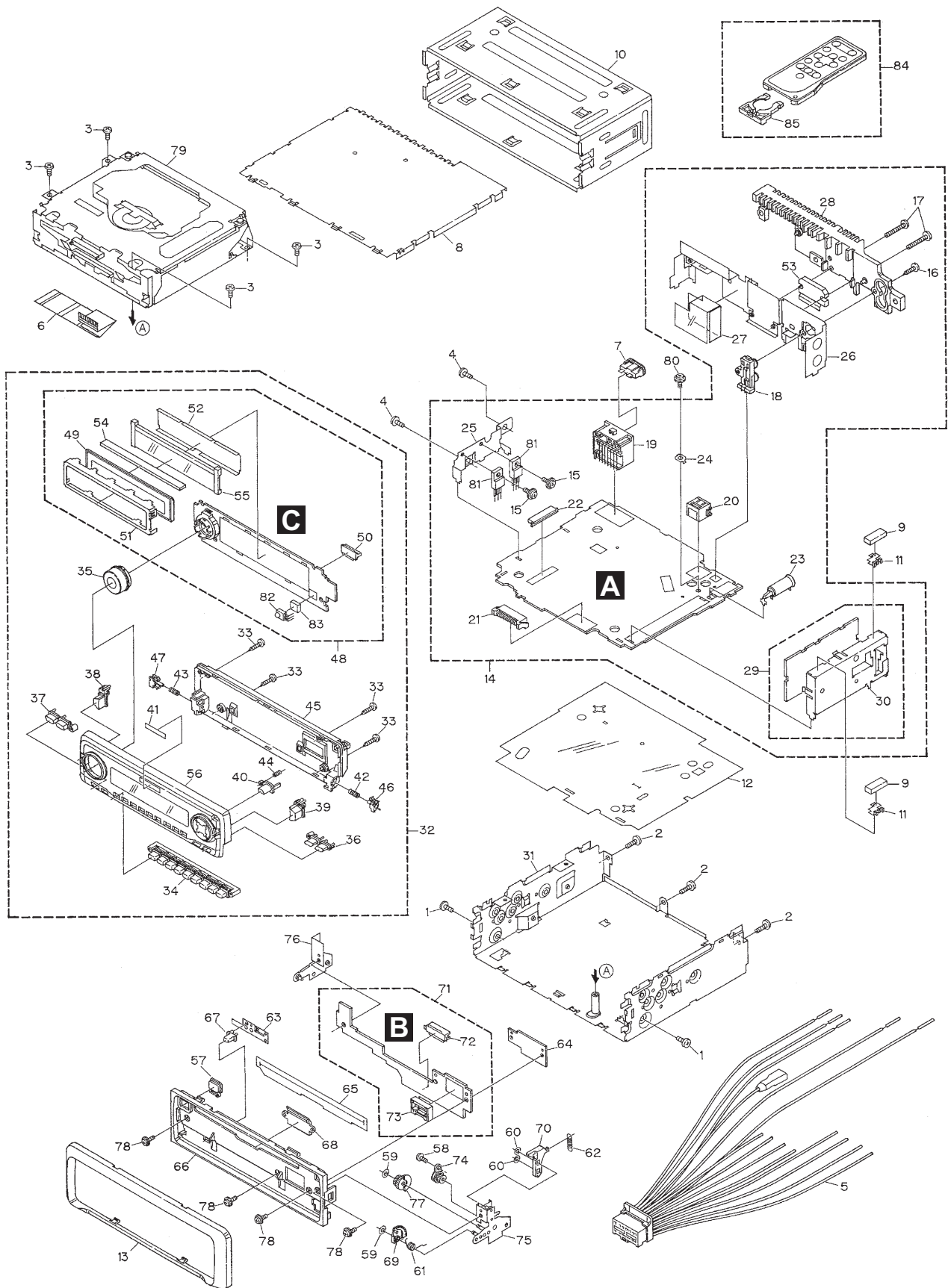
● **PACKING SECTION PARTS LIST**

Mark No.	Symbol and Description	Part No.		
		DEH-P330/X1N/UC	DEH-P3300/X1N/UC	DEH-P33/X1N/UC
	1-1 Owner's Manual	CRD3300	CRD3307	CRD3307
	1-2 Installation Manual	CRD3310	CRD3314	CRD3314
*	1-3 Card	Not used	ARY1048	ARY1048
*	1-4 Warranty Card	CRY1070	Not used	Not used
	1-5 Polyethylene Bag	CEG1116	CEG1116	CEG1116
*	1-6 Caution Card	CRP1242	CRP1242	CRP1242
	2 Cord Assy	CDE6436	CDE6436	CDE6436
	3 Spring	CBH1650	CBH1650	CBH1650
	4 Screw Assy	CEA2796	CEA2796	CEA2796
	5 Screw	CBA1002	CBA1002	CBA1002
*	6 Polyethylene Bag	CEG-127	CEG-127	CEG-127
	7 Screw	CRZ50P090FMC	CRZ50P090FMC	CRZ50P090FMC
	8 Screw	TRZ50P080FMC	TRZ50P080FMC	TRZ50P080FMC
*	9 Polyethylene Bag	CEG-158	CEG-158	CEG-158
	10 Handle	CNC5395	CNC5395	CNC5395
	11 Bush	CNV3930	CNV3930	CNV3930
	12 Polyethylene Bag	CEG1173	CEG1173	CEG1173
	13 Carton	CHG4273	CHG4272	CHG4274
	14 Contain Box	CHL4273	CHL4272	CHL4274
	15 Protector	CHP2251	CHP2251	CHP2251
	16 Protector	CHP2252	CHP2252	CHP2252
	17 Case Assy	CXB3520	CXB3520	Not used
	18 Screw	BPZ20P060FZK	BPZ20P060FZK	BPZ20P060FZK
	19 Remote Control Unit	CXB6797	Not used	Not used
*	20 Battery	CEX1065	Not used	Not used
	21 Accessory Assy	CEA2773	CEA2773	CEA2773
	22 Earth Plate	CNC9450	CNC9450	CNC9450

● **Owner's Manual, Installation Manual**

Model	Part No.	Language
DEH-P330/X1N/UC	CRD3300, CRD3310	English, French, Spanish
DEH-P33/X1N/UC	CRD3307, CRD3314	English, French, Spanish
DEH-P3300/X1N/UC		

2.2 EXTERIOR



(1) EXTERIOR SECTION PARTS LIST

Mark No.	Description	Part No.	Mark No.	Description	Part No.
1	Screw	BMZ30P040FZK	46	Holder	CNV6505
2	Screw	BMZ30P100FMC	47	Holder	CNV6506
3	Screw	BSZ26P060FMC	48	Keyboard Unit	See Contrast table(2)
4	Screw	BSZ30P060FMC	49	LCD	CAW1628
5	Cord Assy	CDE6436	50	Connector(CN1901)	CKS4205
6	Cable	CDE6444	51	Holder	CNC9053
7	Fuse(10A)	CEK1136	52	Sheet	CNM6969
8	Case	CNB2686	53	IC(IC361)	PAL006A
9	Holder	CNC5704	54	Connector	CNV6440
10	Holder	CNC8659	55	Lighting Conductor	CNV6441
11	Cushion	CNM4870	56	Sub Grille Assy	See Contrast table(2)
12	Insulator	CNM6948	57	Button	CAC6839
13	Panel	CNS6332	58	Screw(M2x2)	CBA1176
14	Tuner Amp Unit	See Contrast table(2)	59	Washer	CBF1038
15	Screw	ASZ26P060FMC	60	Washer	CBF1039
16	Screw	BPZ26P100FMC	61	Spring	CBH2428
17	Screw	BSZ26P160FMC	62	Spring	CBH2429
18	Pin Jack(CN351)	CKB1035	63	Spring	CBL1512
19	Plug(CN901)	CKM1330	64	Holder	CNC9096
20	Connector(CN701)	CKS3408	65	Cover	CNM6854
21	Plug(CN750)	CKS3537	66	Panel	CNS6278
22	Connector(CN501)	CKS4398	67	Pin	CNV6486
23	Antenna Jack(CN402)	CKX1056	68	Lighting Conductor	CNV6487
24	Holder(CN403)	CNC5399	69	Gear	CNV6507
25	Holder	CNC8615	70	Arm	CNV6508
26	Holder	CNC9472	71	Panel Unit	CWM7375
27	Insulator	CNM6949	72	Socket(CN1950)	CKS3550
28	Heat Sink	CNR1583	73	Connector(CN1951)	CKS4206
29	FM/AM Tuner Unit	CWE1563	74	Damper Unit	CXB5070
30	Holder	CNC8815	75	Holder Unit	CXB6356
31	Chassis Unit	CXB6100	76	Holder Unit	CXB6357
32	Detach Grille Assy	See Contrast table(2)	77	Clutch Unit	CXB6358
33	Screw	BPZ20P100FZK	78	Screw	IMS20P045FZK
34	Button(1-6)	CAC6773	79	CD Mechanism Module(S8.1)	CXK5201
35	Knob(VOLUME)	CAC6775	80	Screw	ISS26P055FUC
36	Button(FUNC/AUDIO)	CAC6776	81	Transistor(Q510,Q910)	2SD2396
37	Button(SOURCE/DISP)	CAC6777	82	IC(IC1902)	SBX8035-H
38	Button(EQ)	CAC6778	83	Cushion	CNM6984
39	Button(SFEQ)	CAC6779	84	Remote Control Unit	See Contrast table(2)
40	Button(OPEN)	CAC6780	85	Cover	See Contrast table(2)
*	41 Badge	See Contrast table(2)			
	42 Spring	CBH2430			
	43 Spring	CBH2431			
	44 Spring	CBH2491			
	45 Cover	CNS6282			

(2) CONTRAST TABLE

DEH-P330/X1N/UC, DEH-P3300/X1N/UC and DEH-P33/X1N/UC are constructed the same except for the following:

Mark No.	Symbol and Description	Part No.		
		DEH-P330/X1N/UC	DEH-P3300/X1N/UC	DEH-P33/X1N/UC
14	Tuner Amp Unit	CWM7388	CWM7385	CWM7387
32	Detach Grille Assy	CXB6300	CXB6297	CXB6299
* 41	Badge	CAH1755	CAH1754	CAH1754
48	Keyboard Unit	CWM7407	CWM7407	CWM7409
56	Sub Grille Assy	CXB7159	CXB7160	CXB7161
84	Remote Control Unit	CXB6797	Not used	Not used
85	Cover	CNS6439	Not used	Not used

● CD MECHANISM MODULE SECTION PARTS LIST

Mark No.	Description	Part No.	Mark No.	Description	Part No.
1	Control Unit	CWX2411	46	
2	Connector(CN802)	CKS2192	47	Ball	CNR1189
3	Connector(CN801)	CKS2193	48	Belt	CNT1086
4	Connector(CN701)	CKS2773	49	Roller	CNV4509
5	Connector(CN101)	CKS3486	50	Arm	CNV6037
6	Screw	BMZ20P030FMC	51	Arm	CNV5247
7	Screw	BSZ20P040FMC	52	Arm	CNV5248
8	Screw(M2x3)	CBA1077	53	Arm	CNV5249
9	Screw(M2x5)	EBA1028	54	Guide	CNV5254
10	Screw	CBA1243	55	Guide	CNV5255
11	Screw(M2x4)	CBA1362	56	Gear	CNV5257
12	Washer	CBF1037	57	Gear	CNV5256
13	Washer	CBF1038	58	Guide	CNV6272
14	Washer	CBF1060	59	Damper	CNV6010
15		60	Arm	CNV6096
16	Spring	CBH2079	61	Arm	CNV6031
17	Spring	CBH2117	62	Arm	CNV6211
18	Spring	CBH2314	63	Guide	CNV6012
19	Spring	CBH2110	64	Guide	CNV5510
20	Spring	CBH2282	65	
21	Spring	CBH2318	66	Guide	CNV5751
22		67	Clamper	CNV6013
23	Spring	CBH2324	68	Gear	CNV5813
24	Spring	CBH2118	69	Motor Unit(M1)	CXB2190
25	Spring	CBH2161	70	Screw Unit	CXB5892
26	Spring	CBH2163	71	Chassis Unit	CXB4797
27	Spring	CBH2189	72	Gear Unit	CXB4728
28	Spring	CBH2377	73	Arm Unit	CXB5753
29	Spring	CBH2260	74	Motor Unit(M2)	CXB2195
30	Spring	CBH2262	75	Lever Unit	CXB4730
31	Bracket	CNC8568	76	Arm Unit	CXB4731
32	Spring	CBL1531	77	Motor Unit(M3)	CXB2562
33	Connector	CDE5531	78	Arm Unit	CXB4732
34	Connector	CDE5532	79	Bracket Unit	CXB4795
35	Shaft	CLA3894	80	Screw	JFZ20P025FMC
36	Screw(M2.6x6)	CBA1458	81	Screw	JGZ17P025FZK
37	Frame	CNC8565	82	Washer	YE20FUC
38	Frame	CNC8749	83	Pickup Unit(Service)(P8)	CXX1285
39	Lever	CNC9265	84	Screw	IMS26P030FMC
40	Arm	CNC8663	* 85	PCB	CNX2982
41	Bracket	CNC8567	86	Photo-transistor(Q1, 2)	CPT230SX-TU
42		87	Damper	CNV6011
43	Spacer	CNM3315	88	Rack	CNV6014
44	Sheet	CNM6659	89	Spring	CBH2315
45				

====Circuit Symbol and No.====Part Name	Part No.	====Circuit Symbol and No.====Part Name	Part No.
R 430	RS1/16S681J	R 754	RS1/16S222J
R 431	RS1/16S473J	R 756	RS1/16S433J
R 432	RS1/16S473J	R 757	RS1/16S473J
R 437	RS1/16S0R0J	R 758	RS1/16S102J
R 438	RS1/16S0R0J	R 759	RD1/4PU222J
R 445	RS1/16S272J	R 760	RS1/16S102J
R 446	RS1/16S272J	R 763	RS1/16S222J
R 447	RS1/16S162J	R 764	RS1/16S131J
R 448	RS1/16S162J	R 765	RS1PMF390J
R 454	RS1/16S0R0J	R 766	RS1/10S270J
R 510	RD1/4PU221J	R 767	RS1/16S103J
R 511	RD1/4PU221J	R 768	RS1/16S152J
R 512	RS1/16S472J	R 769	RS1/16S152J
R 513	RS1/16S222J	R 771	RS1/16S473J
R 514	RS1/16S473J	R 773	RD1/4PU222J
R 515	RS1/16S473J	R 774	RS1/16S102J
R 516	RS1/16S473J	R 775	RS1/16S102J
R 517	RS1/16S222J	R 776	RS1/16S220J
R 518	RS1/16S222J	R 777	RS1/16S0R0J
R 519	RS1/16S222J	R 778	RS1/16S103J
R 520	RS1/16S681J	R 779	RS1/16S472J
R 521	RS1/16S102J	R 781	RS1/16S104J
R 522	RS1/16S0R0J	R 782	RS1/16S131J
R 523	RS1/16S102J	R 783	RS1/16S131J
R 524	RS1/16S0R0J	R 784	RS1/10S392J
R 528	RD1/4PU0R0J	R 786	RS1/16S102J
R 531	RS1/16S0R0J	R 787	RS1/10S472J
R 532	RS1/16S0R0J	R 788	RS1/10S222J
R 534	RS1/16S0R0J	R 789	RS1/10S222J
R 535	RS1/16S0R0J	R 909	RD1/4PU0R0J
R 536	RS1/16S0R0J	R 910	RS1/16S0R0J
R 610	RS1/16S473J	R 911	RD1/4PU121J
R 611	(DEH-P330/X1N/UC) (DEH-P3300/X1N/UC,P33/X1N/UC) RS1/16S203J	R 912	RS1/16S102J
R 612	RS1/16S473J RS1/16S2202F	R 913	RD1/4PU102J
		R 914	RS1/16S103J
R 613	RS1/16S102J	R 915	RS1/16S222J
R 614	RS1/16S821J	R 916	RS1/16S133J
R 615	RS1/16S102J	R 917	RS1/16S104J
R 616	RS1/16S0R0J	R 918	RS1/16S104J
R 620	RS1/16S473J	R 919	RS1/16S223J
R 621	RS1/16S331J	R 920	RS1/16S473J
R 622	RS1/16S101J	R 921	RS1/16S103J
R 624	RS1/16S104J	R 922	RS1/16S473J
R 625	RS1/16S0R0J	R 923	RD1/4PU102J
R 626	RS1/16S473J	R 924	RS1/16S472J
R 627	RS1/16S473J	R 927	RS1/16S102J
R 628	RS1/16S473J	R 928	RS1/16S473J
R 630	RAB4C102J	R 929	RS1/16S104J
R 631	RS1/16S0R0J	R 930	RS1/16S103J
R 710	RS1/16S101J	R 931	RS1/16S103J
R 711	RS1/16S620J	R 932	RD1/4PU102J
R 712	RS1/16S101J	R 933	RS1/16S473J
R 713	RS1/16S103J	R 934	RS1/16S103J
R 714	RS1/16S102J	R 935	RS1/16S223J
R 715	RS1/16S102J	R 936	RD1/4PU152J
R 716	RS1/16S473J	CAPACITORS	
R 717	RS1/16S473J	C 310	CKSRYB102K50
R 718	RS1/16S102J	C 311	CEJA1R0M50
R 719	RS1/16S102J	C 312	CEJA1R0M50
R 720	RS1/16S223J	C 314	CKSRYB105K6R3
		C 315	CKSRYB105K6R3
R 721	RS1/16S223J		
R 722	RS1/16S821J	C 316	CKSRYB104K16
R 723	RS1/16S821J	C 317	CKSRYB104K16
R 724	RS1/16S222J	C 318	CKSRYB105K6R3
R 725	RS1/16S223J	C 319	CKSRYB105K6R3
		C 320	CKSRYB105K6R3
R 726	RS1/16S472J		
R 750	RS1/16S104J		
R 751	RS1/16S103J		
R 752	RS1/16S153J		
R 753	RS1/16S153J		

====Circuit Symbol and No.====	Part Name	Part No.
C 321		CKSRYP105K6R3
C 322	(DEH-P330/X1N/UC)	CKSRYP105K6R3
C 323	(DEH-P330/X1N/UC)	CKSRYP105K6R3
C 324	(DEH-P330/X1N/UC)	CKSRYP103K25
C 325		CKSRYP102K50
C 326		CEJA100M16
C 328		CKSRYP104K16
C 329		CEJA470M10
C 331	(DEH-P330/X1N/UC)	CEJA2R2M50
C 332	(DEH-P330/X1N/UC)	CEJA2R2M50
C 351	(DEH-P3300/X1N/UC,P33/X1N/UC)	CEJA2R2M50
C 352	(DEH-P3300/X1N/UC,P33/X1N/UC)	CEJA2R2M50
C 361	4700µF/16V	CCH1367
C 362		CKSQYB104K16
C 363		CKSQYB474K16
C 364		CKSQYB474K16
C 365		CKSQYB474K16
C 366		CKSQYB474K16
C 367		CKSQYB474K16
C 368		CKSQYB474K16
C 369		CKSQYB474K16
C 370		CKSQYB474K16
C 371		CEJA330M10
C 373		CKSQYB225K10
C 374		CKSQYB225K10
C 375		CEJA100M16
C 410		CKSQYB103K50
C 412		CKSRYP223K25
C 413		CKSRYP102K50
C 414		CEJA220M10
C 415		CKSRYP223K25
C 418		CEAL101M10
C 419		CKSRYP473K16
C 424		CKSRYP183K25
C 425		CKSRYP183K25
C 431		CKSRYP102K50
C 510		CKSRYP473K16
C 511		CKSRYP102K50
C 512		CEJA101M16
C 615		CEAL2R2M50
C 616		CCSRCH270J50
C 617		CCSRCH330J50
C 618		CKSRYP105K6R3
C 619		CEAL4R7M35
C 620		CKSRYP103K50
C 621		CCSRCH101J50
C 624		CKSRYP223K25
C 629		CCSRCH101J50
C 630		CKSRYP103K50
C 631		CCSRCH101J50
C 632		CCSRCH101J50
C 633		CKSRYP103K50
C 634		CKSRYP472K50
C 710		CKSRYP104K16
C 711		CKSRYP473K16
C 712		CEJA1R0M50
C 713		CEJA1R0M50
C 714		CEJA1R0M50
C 715		CEJA1R0M50
C 750		CKSRYP103K25
C 751		CKSQYB104K16
C 765		CKSQYB103K50
C 799		CKSQYB473K16
C 910	330µF/16V	CCH1326
C 911		CKSRYP103K25
C 912		CEJA101M16
C 913		CEJA101M10
C 914		CKSRYP473K16
C 915		CKSRYP103K25
C 916	470µF/16V	CCH1331

====Circuit Symbol and No.====	Part Name	Part No.
C 920		CKSRYP104K16

C Unit Number : CWM7407(DEH-P330/X1N/UC)
 Unit Number : (DEH-P3300/X1N/UC)
 Unit Name : Keyboard Unit

MISCELLANEOUS

IC 1902	IC	SBX8035-H
IC 1903	IC	PD6294A
Q 1905	Transistor	DTC114EU
D 1901	Chip Diode	MA151WK
D 1902	Chip Diode	MA151WA
D 1903	LED	CL170PGCD
D 1917	LED	NSSW440-9159
D 1918	LED	NSSW440-9159
X 1901	Radiator 5.00MHZ	CSS1423
S 1901	Push Switch	CSG1112
S 1902	Push Switch	CSG1112
S 1903	Push Switch	CSG1112
S 1904	Push Switch	CSG1112
S 1905	Switch	CSG1107
S 1906	Push Switch	CSG1112
S 1908	Switch	CSG1107
S 1909	Switch	CSG1107
S 1910	Switch	CSG1107
S 1911	Switch	CSG1107
S 1912	Switch	CSG1107
S 1913	Switch	CSG1107
S 1914	Switch	CSG1107
S 1915	Switch	CSG1107
S 1916	Push Switch	CSG1112
S 1917	Push Switch	CSG1112
S 1918	Push Switch	CSG1112
S 1919	Push Switch	CSG1112
S 1920	Push Switch	CSG1111
S 1922	Switch	CSD1061
	LCD	CAW1628

RESISTORS

R 1901	RS1/10S222J
R 1902	RS1/10S222J
R 1903	RS1/16S470J
R 1904	RS1/16S470J
R 1905	RS1/16S121J
R 1906	RS1/16S2R2J
R 1909	RS1/16S201J
R 1910	RS1/16S121J
R 1911	RS1/16S121J
R 1912	RS1/16S121J
R 1913	RS1/16S121J
R 1914	RS1/16S121J
R 1915	RS1/16S121J
R 1916	RS1/16S121J
R 1917	RS1/16S131J
R 1918	RS1/16S151J
R 1919	RS1/16S131J
R 1920	RS1/16S131J
R 1927	RS1/16S472J
R 1929	RS1/16S0R0J
R 1930	RS1/16S101J
R 1931	RS1/16S101J
R 1933	RS1/16S201J
R 1935	RS1/16S393J
R 1936	RS1/16S131J
R 1938	RS1/16S151J
R 1939	RS1/16S131J
R 1941	RS1/16S131J
R 1942	RS1/16S131J
R 1943	RS1/16S131J

====Circuit Symbol and No.====Part Name	Part No.
R 1945	RS1/16S121J
R 1946	RS1/16S0R0J
R 1949	RS1/16S151J

CAPACITORS

C 1902	CKSRYB104K16
C 1903	CSZS100M6R3
C 1905	CKSRYB104K16
C 1906	CKSRYB104K16
C 1907	CKSRYB104K16
C 1923	CKSQYB104K16
C 1930	CKSQYB104K16

C Unit Number : CWM7409(DEH-P33/X1N/UC)
Unit Name : Keyboard Unit

MISCELLANEOUS

IC 1902	IC	SBX8035-H
IC 1903	IC	PD6294A
Q 1905	Transistor	DTC114EU
D 1901	Chip Diode	MA151WK
D 1902	Chip Diode	MA151WA
D 1903	LED	CL170DCD
D 1917	LED	NSSW440-9159
D 1918	LED	NSSW440-9159
X 1901	Radiator 5.00MHz	CSS1423
S 1901	Push Switch	CSG1114
S 1902	Push Switch	CSG1114
S 1903	Push Switch	CSG1114
S 1904	Push Switch	CSG1114
S 1905	Push Switch	CSG1117
S 1906	Push Switch	CSG1114
S 1908	Push Switch	CSG1117
S 1909	Push Switch	CSG1117
S 1910	Push Switch	CSG1117
S 1911	Push Switch	CSG1117
S 1912	Push Switch	CSG1117
S 1913	Push Switch	CSG1117
S 1914	Push Switch	CSG1117
S 1915	Push Switch	CSG1117
S 1916	Push Switch	CSG1114
S 1917	Push Switch	CSG1114
S 1918	Push Switch	CSG1114
S 1919	Push Switch	CSG1114
S 1920	Push Switch	CSG1111
S 1922	Switch LCD	CSD1061 CAW1628

RESISTORS

R 1901	RS1/10S222J
R 1902	RS1/10S222J
R 1903	RS1/16S470J
R 1904	RS1/16S470J
R 1905	RS1/16S121J
R 1906	RS1/16S2R2J
R 1909	RS1/16S201J
R 1910	RS1/16S121J
R 1911	RS1/16S121J
R 1912	RS1/16S121J
R 1913	RS1/16S121J
R 1914	RS1/16S121J
R 1915	RS1/16S121J
R 1916	RS1/16S121J
R 1917	RS1/16S131J
R 1918	RS1/16S151J
R 1919	RS1/16S131J
R 1920	RS1/16S131J
R 1927	RS1/16S472J
R 1929	RS1/16S0R0J

====Circuit Symbol and No.====Part Name	Part No.
R 1930	RS1/16S101J
R 1931	RS1/16S101J
R 1933	RS1/16S201J
R 1935	RS1/16S393J
R 1936	RS1/16S131J

R 1938	RS1/16S151J
R 1939	RS1/16S131J
R 1941	RS1/16S131J
R 1942	RS1/16S131J
R 1943	RS1/16S131J
R 1945	RS1/16S121J
R 1946	RS1/16S0R0J
R 1949	RS1/16S151J

CAPACITORS

C 1902	CKSRYB104K16
C 1903	CSZS100M6R3
C 1905	CKSRYB104K16
C 1906	CKSRYB104K16
C 1907	CKSRYB104K16
C 1923	CKSQYB104K16
C 1930	CKSQYB104K16

B Unit Number : CWM7375
Unit Name : Panel Unit

MISCELLANEOUS

D 1950	LED	CL220PGC
S 1950	Push Switch	CSG1112

RESISTORS

R 1952	RS1/16S101J
R 1953	RS1/16S101J

D Unit Number : CWX2411
Unit Name : Control Unit

MISCELLANEOUS

IC 201	IC	UPD63711GC
IC 301	IC	BA5985FM
IC 701	IC	BA05SFP
Q 101	Transistor	2SB1132
D 801	Chip LED	CL203IRXTU
D 802	Chip LED	CL203IRXTU
X 201	Ceramic Resonator 16.934MHz	CSS1456
S 801	Spring Switch(HOME)	CSN1051
S 802	Spring Switch(CLAMP)	CSN1052

RESISTORS

R 101	RS1/8S120J
R 102	RS1/8S100J
R 103	RS1/16S222J
R 201	RS1/16S104J
R 202	RS1/16S103J
R 203	RS1/16S393J
R 204	RS1/16S103J
R 205	RS1/16S103J
R 206	RS1/16S182J
R 207	RS1/16S123J
R 302	RS1/16S153J
R 303	RS1/16S103J
R 501	RS1/16S102J
R 502	RA4C681J
R 601	RS1/16S102J
R 602	RS1/16S102J
R 605	RS1/16S0R0J
R 606	RS1/16S0R0J
R 801	RS1/8S751J
R 803	RS1/8S751J

====Circuit Symbol and No.====Part Name	Part No.
R 902	RS1/16S0R0J
R 906	RS1/16S0R0J
CAPACITORS	
C 101	CKSRYB102K50
C 102	CKSRYB104K16
C 103	CEV101M6R3
C 104	CEV470M6R3
C 105	CKSQYB334K16
C 106	CKSQYB334K16
C 107	CKSQYB334K16
C 201	CKSRYB104K16
C 202	CKSRYB471K50
C 203	CKSRYB104K16
C 205	CEV101M6R3
C 206	CKSRYB104K16
C 207	CKSRYB104K16
C 208	CKSRYB104K16
C 209	CKSRYB104K16
C 210	CKSRYB332K50
C 211	CKSRYB104K16
C 212	CKSRYB104K16
C 213	CKSRYB392K50
C 214	CKSRYB104K16
C 215	CKSRYB104K16
C 216	CCSRCJ3R0C50
C 217	CCSRCH270J50
C 218	CKSRYB104K16
C 219	CCSRCH181J50
C 220	CCSRCH510J50
C 221	CKSRYB682K25
C 222	CEV220M6R3
C 223	CKSRYB103K25
C 224	CKSRYB224K10
C 301	CEV101M10
C 603	CCSQSL152J50
C 604	CCSQSL152J50
C 702	CCH1349
C 703	CKSQYB334K16

10μF/10V

====Circuit Symbol and No.====Part Name	Part No.
-----------------------------------------	----------

E Unit Number :
Unit Name : Photo Unit(S8)

Q 1	Photo-transistor	CPT230SX-TU
Q 2	Photo-transistor	CPT230SX-TU

Miscellaneous Parts List

	Pickup Unit(Service)(P8)	CXX1285
M 1	Motor Unit(CARRIAGE)	CXB2190
M 2	Motor Unit(LOADING)	CXB2195
M 3	Motor Unit(SPINDLE)	CXB2562