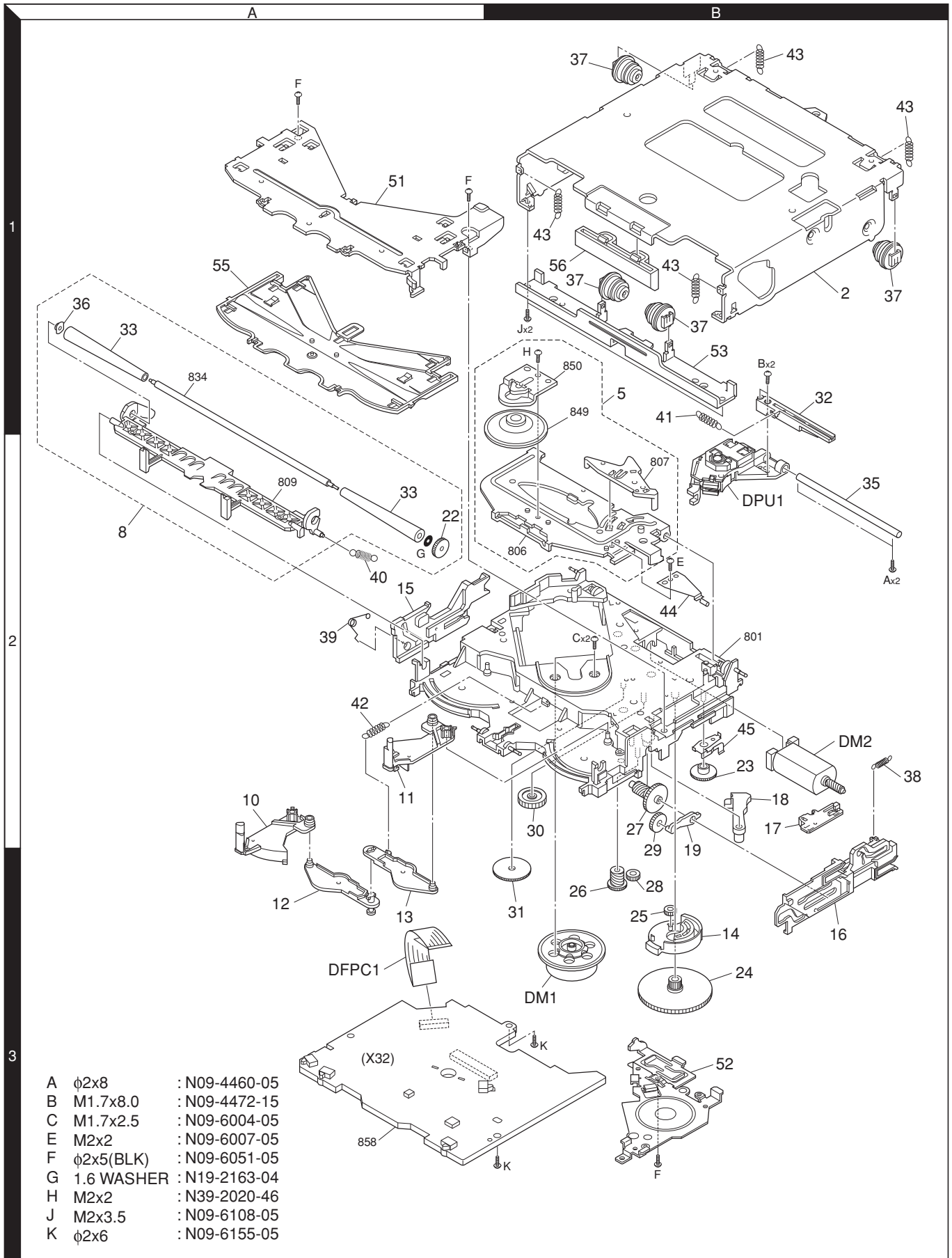
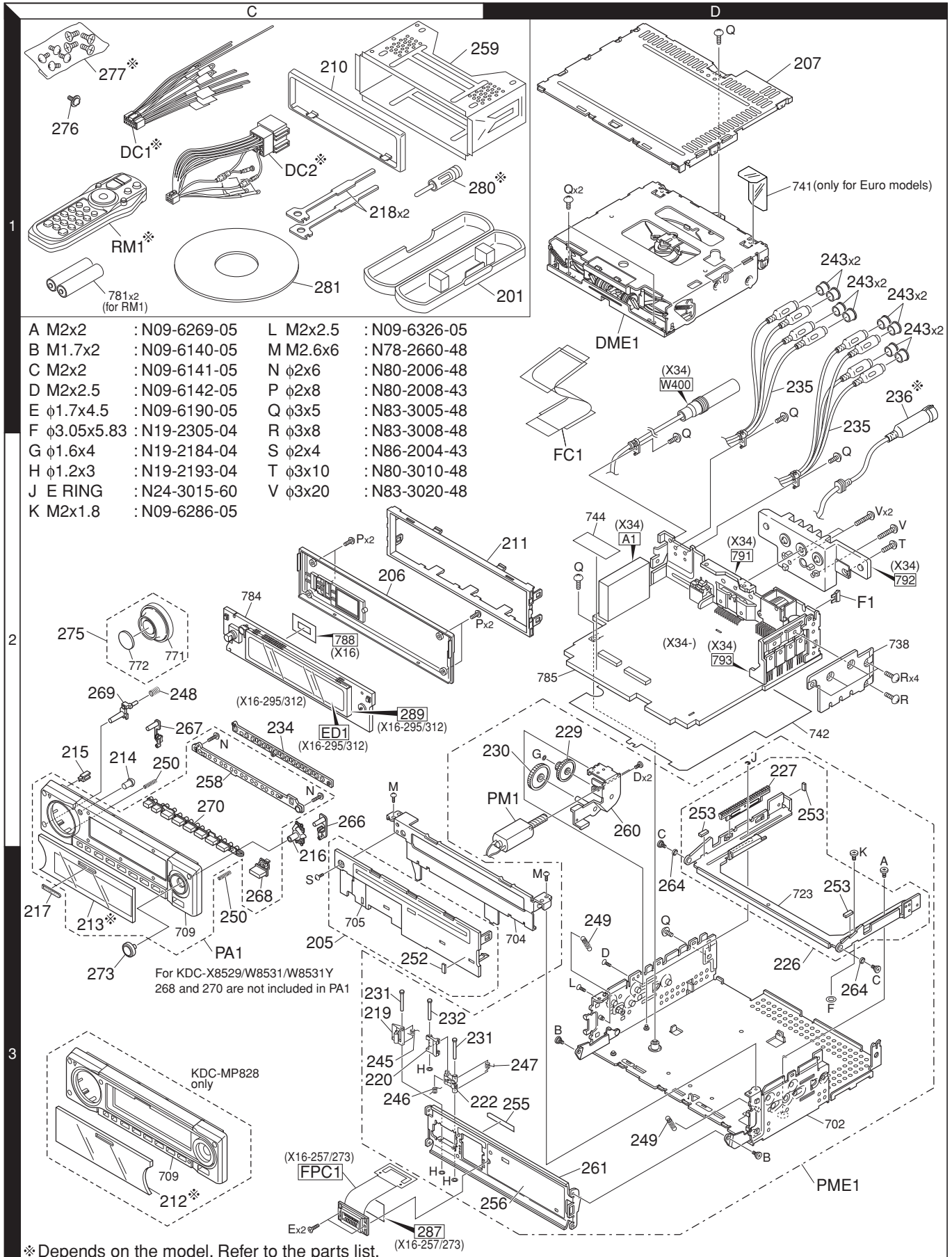


EXPLODED VIEW (CD MECHANISM)



Parts with the exploded numbers larger than 700 are not supplied.

EXPLODED VIEW (UNIT)



PARTS LIST

* New parts

Parts without **Parts No.** are not supplied.

Les articles non mentionnés dans le **Parts No.** ne sont pas fournis.

Teile ohne **Parts No.** werden nicht geliefert.

Ref. No.	A d d	N e w	Parts No.	Description	Desti- nation	Ref. No.	A d d	N e w	Parts No.	Description	Desti- nation
KDC-MP828/W7531/W7531Y/W8531/W8531Y/X789/X8529/X889											
201	1C		A02-2732-03	PLASTIC CABINET ASSY		214	2C	*	B10-4714-04	FRONT GLASS	KK1M1
205	3C		A22-3023-12	SUB PANEL ASSY		215	2C	*	B19-2309-03	LIGHTING BOARD	
206	2C	*	A46-1817-01	REAR COVER		216	2C	*	B19-2310-03	LIGHTING BOARD	
207	1D		A52-0845-12	TOP PLATE		217	3C		B43-1518-04	BADGE	
PA1	3C	*	A64-3495-12	PANEL ASSY	K	218	1C		D10-4589-04	LEVER	
PA1	3C	*	A64-3496-12	PANEL ASSY	E2E4	219	3C		D10-4805-03	LEVER	
PA1	3C	*	A64-3497-12	PANEL ASSY	K1	220	3C		D10-4806-03	LEVER	
PA1	3C	*	A64-3499-12	PANEL ASSY	E1E3	222	3C		D10-4807-13	LEVER	
PA1	3C	*	A64-3500-12	PANEL ASSY	M1	226	3D	*	D10-4875-13	SLIDER ASSY	
PA1	3C	*	A64-3504-12	PANEL ASSY	K2	227	2D		D13-2318-13	RACK (GEAR)	
PME1	3D	*	A10-5205-22	CHASSIS ASSY	E1E2E3	229	2D		D13-2320-04	GEAR	
PME1	3D	*	A10-5205-22	CHASSIS ASSY	KK1M1	230	2D		D13-2321-04	GEAR	
PME1	3D	*	A10-5205-22	CHASSIS ASSY	K2	231	3C		D21-2442-04	SHAFT	
PME1	3D	*	A10-5224-22	CHASSIS ASSY	E4	232	3C		D21-2443-04	SHAFT	
RM1	1C	*	A70-2067-05	REMOTE CONTROLLER ASSY (RC-527)	E1E3K2	234	2C	*	E29-2026-03	CONDUCTIVE RUBBER	
RM1	1C	*	A70-2067-05	REMOTE CONTROLLER ASSY (RC-527)	KK1M1	235	2D	*	E30-6435-05	CORD WITH PINPLUG (GOLD)	KK1M1
-			B46-0100-50	WARRANTY CARD	E1K2E4	235	1D	*	E30-6436-05	CORD WITH PINPLUG (NICKEL)	E1E2E3
-			B46-0100-50	WARRANTY CARD	KK1M1	235	1D	*	E30-6436-05	CORD WITH PINPLUG (NICKEL)	K2E4
-			B46-0606-04	ID CARD	KK1K2	236	1D	*	E30-6292-15	CORD WITH DIN CONNECTOR	E1E2E3
-			B46-0612-14	ID CARD	E3E4	236	1D	*	E30-6292-15	CORD WITH DIN CONNECTOR	E4
-			B46-0612-14	ID CARD	M1E1E2	DC1	1C	*	E30-6408-05	DC CORD	KK1M1
-			B46-0648-13	USER CARD	KK1	DC1	1C	*	E30-6414-05	DC CORD	K2
-			B58-1426-04	CAUTION CARD	KK1K2	DC2	1C	*	E30-6412-05	DC CORD	E1E2E3
-		*	B59-1832-00	SUB-INSTRUCTION MANUAL	E2E3	DC2	1C	*	E30-6412-05	DC CORD	E4
-		*	B59-1832-00	SUB-INSTRUCTION MANUAL	KK1M1	FC1	2D		E39-0736-05	FLAT CABLE	
-		*	B59-1832-00	SUB-INSTRUCTION MANUAL	K2	243	1D		F29-0626-04	INSULATING COVER	
-			B59-1833-00	SUB-INSTRUCTION MANUAL	E1E4	F1	2D		F52-0006-05	FUSE (MINI BLADE TYPE) (10A)	
-		*	B64-2962-10	INST. MANUAL (ENGLISH)	KK1K2	245	3C		G01-3210-04	TORSION COIL SPRING	
-		*	B64-2963-10	INST. MANUAL (FRE, SPA)	KK1K2	246	3C		G01-3211-04	TORSION COIL SPRING	
-		*	B64-2964-00	INST. MANUAL (ENG, T-CHI)	M1	247	3D		G01-3212-04	TORSION COIL SPRING	
-		*	B64-2966-10	INST. MANUAL (ENG, RUS)	E2E3	248	2C		G01-3213-04	COMPRESSION SPRING	
-		*	B64-2987-10	INST. MANUAL (ENGLISH)	E1E4	249	3D		G01-3215-04	EXTENSION SPRING	
-		*	B64-2988-00	INST. MANUAL (FRE, GER)	E4	250	3C	*	G01-3261-04	COMPRESSION SPRING	
-		*	B64-2988-10	INST. MANUAL (FRE, GER)	E1	252	3C	*	G11-3594-04	CUSHION	
-		*	B64-2989-00	INST. MANUAL (DUT, ITA)	E4	253	2D	*	G11-3646-04	CUSHION	
-		*	B64-2989-10	INST. MANUAL (DUT, ITA)	E1	255	3D		G16-1482-14	SHEET	
-		*	B64-2990-00	INST. MANUAL (SPA, POR)	E1	256	3D		G16-1483-04	SHEET	
-		*	B64-2990-10	INST. MANUAL (SPA, POR)	E1E2E3	-		*	H10-4925-02	POLYSTYRENE FOAMED FIXTURE	E1E2E3
210	1C	*	B07-3125-01	ESCUTCHEON	E4	-		*	H10-4925-02	POLYSTYRENE FOAMED FIXTURE	KK1M1
210	1C	*	B07-3125-01	ESCUTCHEON	E4	-		*	H10-4925-02	POLYSTYRENE FOAMED FIXTURE	K2
210	1C	*	B07-3125-01	ESCUTCHEON	KK1M1	-		*	H10-4933-02	POLYSTYRENE FOAMED FIXTURE	E4
210	1C	*	B07-3126-01	ESCUTCHEON	K2	-		*	H25-0329-04	PROTECTION BAG (280X450X0.03)	E2E3K2
211	2C	*	B07-3095-02	ESCUTCHEON	K2	-		*	H25-0329-04	PROTECTION BAG (280X450X0.03)	KK1M1
212	3C	*	B10-4651-11	FRONT GLASS	K2	-		*	H25-0337-04	PROTECTION BAG (180X300X0.03)	K2
213	3C	*	B10-4642-11	FRONT GLASS	K	-		*	H25-1111-04	PROTECTION BAG (280X450X0.03)	E1E4
213	3C	*	B10-4643-11	FRONT GLASS	E2E4	-		*	H54-3332-03	ITEM CARTON CASE (KDC-X889)	K
213	3C	*	B10-4644-11	FRONT GLASS	K1	-		*	H54-3333-03	ITEM CARTON CASE (KDC-X789)	K1
213	3C	*	B10-4646-11	FRONT GLASS	E1E3	-		*	H54-3335-03	ITEM CARTON CASE (KDC-W8531Y)	E3
213	3C	*	B10-4647-11	FRONT GLASS	M1	-		*	H54-3337-03	ITEM CARTON CASE (KDC-W7531Y)	E2
214	2C	*	B10-4662-04	FRONT GLASS	K2	-		*	H54-3338-03	ITEM CARTON CASE (KDC-X8529)	M1
214	2C	*	B10-4714-04	FRONT GLASS	E1E2E3	-		*	H54-3341-03	ITEM CARTON CASE (KDC-MP828)	K2
214	2C	*	B10-4714-04	FRONT GLASS	E4	-		*	H54-3391-03	ITEM CARTON CASE (KDC-W8531)	E1
214	2C	*	B10-4714-04	FRONT GLASS	E4	-		*	H54-3392-03	ITEM CARTON CASE (KDC-W7531)	E4

E1 : KDC-W8531 E2 : KDC-W7531Y E3 : KDC-W8531Y E4 : KDC-W7531
K : KDC-X889 K1 : KDC-X789 K2 : KDC-MP828 M1 : KDC-X8529
(E : Europe K : North America M : Other Areas W : Without Europe)

△ Indicates safety critical components.

PARTS LIST

KDC-MP828/W7531/W7531Y/W8531/W8531Y/X789/X8529/X889

Ref. No.	Add	New	Parts No.	Description	Destination
258	2C	*	J19-7053-02	HOLDER	
259	1C		J21-9716-03	MOUNTING HARDWARE ASSY	
260	2D		J22-0114-03	MOUNTING HARDWARE ASSY	
261	3D	*	J22-0263-02	MOUNTING HARDWARE	
264	3D		J31-1062-04	COLLAR	
266	2C	*	K24-4286-03	PUSH KNOB (EJECT)	E1E2E3
266	2C	*	K24-4286-03	PUSH KNOB (EJECT)	E4
266	2C	*	K24-4286-03	PUSH KNOB (EJECT)	KK1M1
266	2C	*	K24-4288-03	PUSH KNOB (EJECT)	K2
267	2C	*	K24-4289-03	PUSH KNOB (ATT)	E1E2E3
267	2C	*	K24-4289-03	PUSH KNOB (ATT)	E4
267	2C	*	K24-4289-03	PUSH KNOB (ATT)	KK1M1
267	2C	*	K24-4291-03	PUSH KNOB (ATT)	K2
268	3C	*	K24-4292-03	PUSH KNOB (SRC)	E1E2E3
268	3C	*	K24-4292-03	PUSH KNOB (SRC)	E4
268	3C	*	K24-4292-03	PUSH KNOB (SRC)	KK1M1
268	3C	*	K24-4294-03	PUSH KNOB (SRC)	K2
269	2C	*	K24-4295-03	PUSH KNOB (RELEASE)	E1E2E3
269	2C	*	K24-4295-03	PUSH KNOB (RELEASE)	E4
269	2C	*	K24-4295-03	PUSH KNOB (RELEASE)	KK1M1
269	2C	*	K24-4297-03	PUSH KNOB (RELEASE)	K2
270	2C	*	K25-1695-02	PUSH KNOB (PRESET)	E1E2E3
270	2C	*	K25-1695-02	PUSH KNOB (PRESET)	E4
270	2C	*	K25-1695-02	PUSH KNOB (PRESET)	KK1M1
270	2C	*	K25-1696-02	PUSH KNOB (PRESET)	K2
273	3C	*	K29-7144-03	KEY TOP (FM/AM, SEEK)	
275	2C	*	K29-7150-04	KNOB ASSY (VOL)	
276	1C	*	N09-6212-05	TAPPING SCREW	KK1K2
276	1C	*	N09-6280-05	TAPPING SCREW	E3E4
276	1C	*	N09-6280-05	TAPPING SCREW	M1E1E2
277	1C		N99-1723-05	SCREW SET	KK1K2
277	1C		N99-1758-05	SCREW SET	M1
A	3D	*	N09-6269-05	STEPPED SCREW	
B	3D		N09-6140-05	STEPPED SCREW	
C	3D		N09-6141-05	STEPPED SCREW	
D	2D		N09-6142-05	MACHINE SCREW	
E	3C		N09-6190-05	TAPPING SCREW	
F	3D	*	N19-2305-04	FLAT WASHER	
G	2D		N19-2184-04	FLAT WASHER	
H	3C		N19-2193-04	FLAT WASHER	
J	2D		N24-3015-60	E TYPE RETAINING RING	
K	3D	*	N09-6286-05	STEPPED SCREW	
L	3D	*	N09-6326-05	MACHINE SCREW	
M	2C	*	N78-2660-48	PAN HEAD TAPTITE SCREW	
N	2C		N80-2006-48	PAN HEAD TAPTITE SCREW	
P	2C		N80-2008-43	PAN HEAD TAPTITE SCREW	
Q	1D		N83-3005-48	PAN HEAD TAPTITE SCREW	
R	2D		N83-3008-48	PAN HEAD TAPTITE SCREW	
S	3C	*	N86-2004-43	BINDING HEAD TAPTITE SCREW	
280	1C		T90-0523-05	ANTENNA ADAPTOR	E1E2E3
280	1C		T90-0523-05	ANTENNA ADAPTOR	E4
PM1	2D		T42-1086-14	MOTOR ASSY	
281	1C	*	W01-1643-15	COMPACT DISC	KK1M1

Ref. No.	Add	New	Parts No.	Description	Destination
281	1C	*	W01-1643-15	COMPACT DISC	K2
281	1C	*	W01-1647-05	COMPACT DISC	E1E2E3
281	1C	*	W01-1647-05	COMPACT DISC	E4
DME1	1D		X92-5100-00	MECHANISM ASSY	
SUB-CIRCUIT UNIT (X16-2570-10 / X16-2732-70)					
287	3C		F20-2284-14	INSULATING SHEET	
FPC1	3C		J86-0003-05	FPC (LEAD FREE)	
SWITCH UNIT (X16-2950-1x / X16-3122-71)					
D1-3			B30-1605-05	LED (2-COLOR, PG/RED)	
D4-7		*	B30-1731-05	LED (BLUE)	
D8			B30-1692-05	LED (HR/YG)	
D9-12			B30-1605-05	LED (2-COLOR, PG/RED)	
D13-15		*	B30-1731-05	LED (BLUE)	
D16-18			B30-1605-05	LED (2-COLOR, PG/RED)	
C1-4			CK73GB1H103K	CHIP C 0.010UF	K
C6-8			CK73GB1H103K	CHIP C 0.010UF	K
C10			CK73GB0J105K	CHIP C 1.0UF	K
C11,12			CK73GB1H332K	CHIP C 3300PF	K
C11,12			CK73GB1H332K	CHIP C 3300PF	K
C11,12			CK73GB1H332K	CHIP C 3300PF	K
C13			CK73EB1A475K	CHIP C 4.7UF	K
C13			CK73EB1A475K	CHIP C 4.7UF	K
C13			CK73EB1A475K	CHIP C 4.7UF	K
C15			CK73FB1A225K	CHIP C 2.2UF	K
C15			CK73FB1A225K	CHIP C 2.2UF	K
C15			CK73FB1A225K	CHIP C 2.2UF	K
C16-18			CK73GB1H103K	CHIP C 0.010UF	K
C20-23			CK73GB1H103K	CHIP C 0.010UF	K
C24,25			CK73GB1E473K	CHIP C 0.047UF	K
C26,27			CK73GB1H103K	CHIP C 0.010UF	K
C28,29			CK73GB0J105K	CHIP C 1.0UF	K
C30			CK73GB1H103K	CHIP C 0.010UF	K
C31			CC73GCH1H221J	CHIP C 220PF	J
C32			CK73FB1A225K	CHIP C 2.2UF	K
C33			CK73GB1H103K	CHIP C 0.010UF	K
C34			CK73GB1A224K	CHIP C 0.22UF	K
C35,36			CK73GB1H103K	CHIP C 0.010UF	K
C37		*	C93-1217-05	CHIP C 0.047UF	100WV
C38			CK73FB1A225K	CHIP C 2.2UF	K
C39			CK73FB0J106K	CHIP C 10UF	K
C40			CK73GB1C104K	CHIP C 0.10UF	K
C41,42			CK73FB0J106K	CHIP C 10UF	K
C43			CC73GCH1H101J	CHIP C 100PF	J
C44			CK73GB1C104K	CHIP C 0.10UF	K
J1			E59-0839-05	RECTANGULAR PLUG	
289	2C	*	J19-7054-03	HOLDER	
X1		*	L78-1208-05	RESONATOR (6.6MHZ)	
CP1,2			RK74HB1J223J	CHIP-COM 22K J 1/16W	E1E3K2
CP1,2			RK74HB1J223J	CHIP-COM 22K J 1/16W	KK1M1
CP2			RK74HB1J223J	CHIP-COM 22K J 1/16W	E2E4

E1 : KDC-W8531 E2 : KDC-W7531Y E3 : KDC-W8531Y E4 : KDC-W7531

K : KDC-X889 K1 : KDC-X789 K2 : KDC-MP828 M1 : KDC-X8529

42 (E : Europe K : North America M : Other Areas W : Without Europe)

△ Indicates safety critical components.

PARTS LIST

SWITCH UNIT (X16-2950-1x / X16-3122-71)

Ref. No.	Add	New	Parts No.	Description	Destination	Ref. No.	Add	New	Parts No.	Description	Destination
CP3		*	RK74GA1J223J	CHIP-COM 22K J 1/16W		R27,28			RK73GB2A103J	CHIP R 10K J 1/10W	
CP4			RK74HB1J472J	CHIP-COM 4.7K J 1/16W		R29			RK73GB2A102J	CHIP R 1.0K J 1/10W	
CP5			RK74GA1J332J	CHIP-COM 3.3K J 1/16W		R30			RK73GB2A223J	CHIP R 22K J 1/10W	E2E4
CP6			RK74GA1J473J	CHIP-COM 47K J 1/16W		R31			RK73GB2A223J	CHIP R 22K J 1/10W	E1E3K2
CP7			RK74HB1J473J	CHIP-COM 47K J 1/16W		R31			RK73GB2A223J	CHIP R 22K J 1/10W	KK1M1
CP8		*	RK74GA1J331J	CHIP-COM 330 J 1/16W		R33			RK73GB2A102J	CHIP R 1.0K J 1/10W	
CP9-14			RK74HB1J331J	CHIP-COM 330 J 1/16W		R34			RK73GB2A101J	CHIP R 100 J 1/10W	
CP15			RK74HB1J223J	CHIP-COM 22K J 1/16W		R36			RK73GB2A101J	CHIP R 100 J 1/10W	
CP16			RK74HB1J331J	CHIP-COM 330 J 1/16W		R37			RK73GB2A473J	CHIP R 47K J 1/10W	
CP17			RK74HB1J223J	CHIP-COM 22K J 1/16W		R38			RK73GB2A102J	CHIP R 1.0K J 1/10W	
CP18			RK74HB1J331J	CHIP-COM 330 J 1/16W		R39-41			RK73GB2A473J	CHIP R 47K J 1/10W	
CP19			RK74HB1J223J	CHIP-COM 22K J 1/16W		R42			RK73GB2A472J	CHIP R 4.7K J 1/10W	
CP20			RK74GA1J101J	CHIP-COM 100 J 1/16W		R43,44	*		RK73PB2H120J	CHIP R 12 J 1/2W	
CP21			RK74HB1J331J	CHIP-COM 330 J 1/16W		R45-49			RK73EB2E101J	CHIP R 100 J 1/4W	
CP22			RK74HB1J223J	CHIP-COM 22K J 1/16W		R50			RK73EB2E102J	CHIP R 1.0K J 1/4W	
CP23			RK74HB1J101J	CHIP-COM 100 J 1/16W		R52			RK73GB2A223J	CHIP R 22K J 1/10W	
CP24			RK74HB1J102J	CHIP-COM 1.0K J 1/16W		R53			RK73GB2A222J	CHIP R 2.2K J 1/10W	
CP25		*	RK74HB1J332J	CHIP-COM 3.3K J 1/16W		R54			RK73EB2E333J	CHIP R 33K J 1/4W	
CP26			RK74HB1J223J	CHIP-COM 22K J 1/16W		R55			RK73GB2A473J	CHIP R 47K J 1/10W	
CP27			RK74HB1J101J	CHIP-COM 100 J 1/16W		R56			RK73GB2A222J	CHIP R 2.2K J 1/10W	
CP28			RK74GA1J101J	CHIP-COM 100 J 1/16W		R58			RK73GB2A222J	CHIP R 2.2K J 1/10W	
CP29			RK74HB1J101J	CHIP-COM 100 J 1/16W		R59			RK73GB2A473J	CHIP R 47K J 1/10W	
CP30			RK74HB1J102J	CHIP-COM 1.0K J 1/16W		R60			RK73FB2B220J	CHIP R 22 J 1/8W	
CP31			RK74HB1J223J	CHIP-COM 22K J 1/16W		R61			RK73GB2A104J	CHIP R 100K J 1/10W	
CP34			RK74HB1J473J	CHIP-COM 47K J 1/16W		R62	*		RK73PB2H2R7J	CHIP R 2.7 J 1/2W	
CP35		*	RK74GA1J223J	CHIP-COM 22K J 1/16W		R64			RK73GB2A223J	CHIP R 22K J 1/10W	
R1			RK73EB2E751J	CHIP R 750 J 1/4W		R66			RK73EB2E821J	CHIP R 820 J 1/4W	
R2-4			RK73FB2B361J	CHIP R 360 J 1/8W		W1,2			R92-2053-05	CHIP R 0 OHM J 1/8W	
R5-7			RK73EB2E471J	CHIP R 470 J 1/4W		S2			S70-0901-05	TACT SWITCH	
R8			RK73FB2B271J	CHIP R 270 J 1/8W		S17,18			S70-0901-05	TACT SWITCH	
R9			RK73GB2A333J	CHIP R 33K J 1/10W		S19	*		S70-0926-15	TACT SWITCH	
R10			RK73GB2A512J	CHIP R 5.1K J 1/10W	E2E3K2	S1	*		T99-0456-05	ROTARY ENCODER	
R10			RK73GB2A512J	CHIP R 5.1K J 1/10W	E4	ED1	2C	*	JN12823A	FLUORESCENT INDICATOR TUBE	
R10			RK73GB2A512J	CHIP R 5.1K J 1/10W	KM1E1	IC1		*	MB29DL322B4T8	ROM IC	E1E3K2
R11			RK73GB2A223J	CHIP R 22K J 1/10W	K1	IC1		*	MB29DL322B4T8	ROM IC	KK1M1
R11,12			RK73GB2A223J	CHIP R 22K J 1/10W	E2E3K2	IC1		*	MX231613T14T9	ROM IC	E2E4
R11,12			RK73GB2A223J	CHIP R 22K J 1/10W	E4	IC2		*	BA3830F	ANALOGUE IC	E2E3K2
R13			RK73GB2A222J	CHIP R 2.2K J 1/10W	KM1E1	IC2			BA3830F	ANALOGUE IC	E4
R14			RK73GB2A103J	CHIP R 10K J 1/10W	E2E3K2	IC2			BA3830F	ANALOGUE IC	KM1E1
R14			RK73GB2A103J	CHIP R 10K J 1/10W	E4	IC4	*		703134GJ011-A	MICROCONTROLLER IC	
R14			RK73GB2A103J	CHIP R 10K J 1/10W	KM1E1	IC5	*		BD5237FVE	ANALOGUE IC	
R15,16			RK73GB2A274J	CHIP R 270K J 1/10W	E2E3K2	IC6			PNA4S22M	ANALOGUE IC	
R15,16			RK73GB2A274J	CHIP R 270K J 1/10W	E4	IC7			TC74LVX08FT	MOS-IC	
R15,16			RK73GB2A274J	CHIP R 270K J 1/10W	KM1E1	IC8	*		TC7WT126FU-F	MOS-IC	
R17			RK73GB2A472J	CHIP R 4.7K J 1/10W		IC9			TC7SH32FU-F	MOS-IC	
R18			RK73GB2A473J	CHIP R 47K J 1/10W		IC10	*		SI-3025KMNF	ANALOGUE IC	
R19			RK73GB2A100J	CHIP R 10 J 1/10W	E2E3K2	IC11			SI-3033LUSNF	ANALOGUE IC	
R19			RK73GB2A100J	CHIP R 10 J 1/10W	E4	Q1,2			2SC4617	TRANSISTOR	
R19			RK73GB2A100J	CHIP R 10 J 1/10W	KM1E1	Q3-5			2SD2351(W)	TRANSISTOR	
R20			RK73GB2A332J	CHIP R 3.3K J 1/10W		Q6			2SB1689	TRANSISTOR	
R23,24			RK73GB2A472J	CHIP R 4.7K J 1/10W		Q7			2SA1774	TRANSISTOR	
R25			RK73GB2A101J	CHIP R 100 J 1/10W	E1E3K2	Q8	*		DTC143ZE	DIGITAL TRANSISTOR	
R25			RK73GB2A101J	CHIP R 100 J 1/10W	KK1M1	Q9			2SC4617	TRANSISTOR	
R26			RK73GB2A223J	CHIP R 22K J 1/10W	E2E4						

E1 : KDC-W8531 E2 : KDC-W7531Y E3 : KDC-W8531Y E4 : KDC-W7531
K : KDC-X889 K1 : KDC-X789 K2 : KDC-MP828 M1 : KDC-X8529
(E : Europe K : North America M : Other Areas W : Without Europe)

△ Indicates safety critical components.

PARTS LIST

SWITCH UNIT (X16-2950-1x / X16-3122-71)

Ref. No.	A d d	N e w	Parts No.	Description	Desti- nation
Q10			2SA1774	TRANSISTOR	
Q11			2SC2713-F	TRANSISTOR	
Q12			2SC4667-F	TRANSISTOR	
Q13			2SB1198K	TRANSISTOR	
CD PLAYER UNIT (X32-5730-00)					
C3			CK73GB0J105K	CHIP C 1.0UF K	
C5			CK73GB1C104K	CHIP C 0.10UF K	
C7			CK73GB0J225K	CHIP C 2.2UF K	
C8			CK73GB0J105K	CHIP C 1.0UF K	
C12-14			CK73GB1C104K	CHIP C 0.10UF K	
C17,18			CK73GB1C104K	CHIP C 0.10UF K	
C21			CK73GB1H102K	CHIP C 1000PF K	
C25,26			CK73GB1C104K	CHIP C 0.10UF K	
C27			CK73GB0J105K	CHIP C 1.0UF K	
C28			CK73FB0J106M	CHIP C 10UF M	
C29			CK73GB1C104K	CHIP C 0.10UF K	
C30			CK73GB1H152K	CHIP C 1500PF K	
C31			CC73GCH1H470J	CHIP C 47PF J	
C32			CK73GB1C104K	CHIP C 0.10UF K	
C33			CK73GB0J225K	CHIP C 2.2UF K	
C34			CC73GCH1H560J	CHIP C 56PF J	
C35,36			CK73GB1C104K	CHIP C 0.10UF K	
C37			CK73GB1H102K	CHIP C 1000PF K	
C38			CK73GB1H682K	CHIP C 6800PF K	
C39			CK73GB1C104K	CHIP C 0.10UF K	
C40			CK73GB0J105K	CHIP C 1.0UF K	
C41			CK73GB0J475K	CHIP C 4.7UF K	
C44			CK73GB0J105K	CHIP C 1.0UF K	
C46			CK73GB1H682K	CHIP C 6800PF K	
C47			CK73GB1C104K	CHIP C 0.10UF K	
C48			CC73GCH1H040C	CHIP C 4.0PF C	
C49			CK73GB1H332K	CHIP C 3300PF K	
C50			CK73GB1C104K	CHIP C 0.10UF K	
C51			CC73GCH1H330J	CHIP C 33PF J	
C52			CK73FB1A225K	CHIP C 2.2UF K	
C53			CK73GB0J225K	CHIP C 2.2UF K	
C54,55			CK73GB1H103K	CHIP C 0.010UF K	
C56,57			CC73GCH1H391J	CHIP C 390PF J	
C58			CK73GB1H472K	CHIP C 4700PF K	
C59,60			CK73GB1H152K	CHIP C 1500PF K	
C61,62			CK73GB1H102K	CHIP C 1000PF K	
C63			CK73GB1H152K	CHIP C 1500PF K	
C64,65			CK73GB1C104K	CHIP C 0.10UF K	
C66,67			CC73GCH1H100D	CHIP C 10PF D	
C68			CK73FB0J106M	CHIP C 10UF M	
C72			CK73GB0J225K	CHIP C 2.2UF K	
C73			CK73GB1C104K	CHIP C 0.10UF K	
C74			CK73GB0J475K	CHIP C 4.7UF K	
C75			CC73GCH1H221J	CHIP C 220PF J	
C76,77			CK73GB1C104K	CHIP C 0.10UF K	
C78-80			CC73GCH1H221J	CHIP C 220PF J	
C81-84			CK73GB1H102K	CHIP C 1000PF K	
C85			CK73GB1C104K	CHIP C 0.10UF K	
C86			CK73GB1A105K	CHIP C 1.0UF K	
C87			CK73GB0J475K	CHIP C 4.7UF K	

Ref. No.	A d d	N e w	Parts No.	Description	Desti- nation
C88			CK73GB1H103K	CHIP C 0.010UF K	
C89			CK73GB0J105K	CHIP C 1.0UF K	
C90,91			CK73GB1H102K	CHIP C 1000PF K	
C92			CK73GB0J475K	CHIP C 4.7UF K	
C93-98			CK73GB1C104K	CHIP C 0.10UF K	
C99			CC73GCH1H060D	CHIP C 6.0PF D	
C100			CC73GCH1H020C	CHIP C 2.0PF C	
C102			CK73GB0J225K	CHIP C 2.2UF K	
CN1			E41-2083-05	FLAT CABLE CONNECTOR	
CN2			E41-2297-05	FLAT CABLE CONNECTOR	
X1			L77-2863-05	CRYSTAL RESONATOR (16.899MHZ)	
X2		*	L78-1209-05	RESONATOR (26.88MHZ)	
CP1		*	RK74GA1J223J	CHIP-COM 22K J 1/16W	
CP2,3			RK74GA1J101J	CHIP-COM 100 J 1/16W	
CP4			RK74GA1J103J	CHIP-COM 10K J 1/16W	
CP5			RK74GA1J102J	CHIP-COM 1.0K J 1/16W	
CP7			RK74GB1J102J	CHIP-COM 1.0K J 1/16W	
CP10			RK74GB1J103J	CHIP-COM 10K J 1/16W	
CP11			RK74GB1J472J	CHIP-COM 4.7K J 1/16W	
CP14			RK74GA1J104J	CHIP-COM 100K J 1/16W	
CP16			RK74GB1J104J	CHIP-COM 100K J 1/16W	
CP17			RK74GA1J102J	CHIP-COM 1.0K J 1/16W	
CP18,19			RK74GA1J104J	CHIP-COM 100K J 1/16W	
R1			RK73GB2A225J	CHIP R 2.2M J 1/10W	
R3			RK73GB2A223J	CHIP R 22K J 1/10W	
R4			RK73GB2A102J	CHIP R 1.0K J 1/10W	
R5			RK73GB2A101J	CHIP R 100 J 1/10W	
R6			RK73GH2A223D	CHIP R 22K D 1/10W	
R8			RK73GH2A393D	CHIP R 39K D 1/10W	
R9			RK73GB2A223J	CHIP R 22K J 1/10W	
R10			RK73GB2A101J	CHIP R 100 J 1/10W	
R11,12			RK73GB2A223J	CHIP R 22K J 1/10W	
R13			RK73GB2A102J	CHIP R 1.0K J 1/10W	
R14,15			RK73GB2A223J	CHIP R 22K J 1/10W	
R17			RK73GB2A221J	CHIP R 220 J 1/10W	
R18			RK73GB2A102J	CHIP R 1.0K J 1/10W	
R19			RK73GB2A472J	CHIP R 4.7K J 1/10W	
R20			RK73GB2A102J	CHIP R 1.0K J 1/10W	
R21,22			RK73GB2A103J	CHIP R 10K J 1/10W	
R23,24			RK73GB2A223J	CHIP R 22K J 1/10W	
R25			RK73GB2A102J	CHIP R 1.0K J 1/10W	
R29			RK73GB2A102J	CHIP R 1.0K J 1/10W	
R34			RK73GB2A472J	CHIP R 4.7K J 1/10W	
R35			RK73GB2A104J	CHIP R 100K J 1/10W	
R36			RK73FB2B4R7J	CHIP R 4.7 J 1/8W	
R37			RK73GB2A103J	CHIP R 10K J 1/10W	
R40			RK73GB2A274J	CHIP R 270K J 1/10W	
R41			RK73GB2A103J	CHIP R 10K J 1/10W	
R42			RK73GB2A101J	CHIP R 100 J 1/10W	
R43			RK73GB2A393J	CHIP R 39K J 1/10W	
R44,45			RK73GB2A302J	CHIP R 3.0K J 1/10W	
R48			RK73GB2A472J	CHIP R 4.7K J 1/10W	
R50			RK73GB2A101J	CHIP R 100 J 1/10W	

PARTS LIST

CD PLAYER UNIT (X32-5730-00)

Ref. No.	Add	New	Parts No.	Description	Destination
R51			RK73GB2A392J	CHIP R 3.9K J 1/10W	
R52			RK73GB2A163J	CHIP R 16K J 1/10W	
R53			RK73GB2A123J	CHIP R 12K J 1/10W	
R54			RK73GB2A333J	CHIP R 33K J 1/10W	
R55			RK73GB2A103J	CHIP R 10K J 1/10W	
R56			RK73GB2A123J	CHIP R 12K J 1/10W	
R57,58			RK73GB2A133J	CHIP R 13K J 1/10W	
R59			RK73GB2A472J	CHIP R 4.7K J 1/10W	
R60			RK73GB2A123J	CHIP R 12K J 1/10W	
R61			RK73GB2A183J	CHIP R 18K J 1/10W	
R62			RK73GB2A432J	CHIP R 4.3K J 1/10W	
R63			RK73GB2A133J	CHIP R 13K J 1/10W	
R64			RK73GB2A151J	CHIP R 150 J 1/10W	
R65			RK73GB2A152J	CHIP R 1.5K J 1/10W	
R67,68			RK73GB2A152J	CHIP R 1.5K J 1/10W	
R69			RK73GB2A682J	CHIP R 6.8K J 1/10W	
R70			RK73GB2A102J	CHIP R 1.0K J 1/10W	
R71-73			RK73GB2A101J	CHIP R 100 J 1/10W	
R108-110			RK73GH2A392D	CHIP R 3.9K D 1/10W	
R111,112			RK73GH2A562D	CHIP R 5.6K D 1/10W	
R113			RK73GH2A392D	CHIP R 3.9K D 1/10W	
R114			RK73GH2A562D	CHIP R 5.6K D 1/10W	
R115			RK73GH2A392D	CHIP R 3.9K D 1/10W	
R116			RK73GH2A562D	CHIP R 5.6K D 1/10W	
R117			RK73GH2A392D	CHIP R 3.9K D 1/10W	
R118,119			RK73GH2A100D	CHIP R 10 D 1/10W	
R120,121			RK73GH2A392D	CHIP R 3.9K D 1/10W	
R122			RK73GH2A202D	CHIP R 2.0K D 1/10W	
R123			RK73GH2A102D	CHIP R 1.0K D 1/10W	
R124			RK73GB2A680J	CHIP R 68 J 1/10W	
R128,129			RK73GB2A101J	CHIP R 100 J 1/10W	
R130			RK73GB2A221J	CHIP R 220 J 1/10W	
R132			RK73GB2A102J	CHIP R 1.0K J 1/10W	
R133			RK73GB2A561J	CHIP R 560 J 1/10W	
R134			RK73GH2A202D	CHIP R 2.0K D 1/10W	
R135			RK73GH2A102D	CHIP R 1.0K D 1/10W	
R137			RK73GB2A680J	CHIP R 68 J 1/10W	
R138			RK73GB2A471J	CHIP R 470 J 1/10W	
R139-141			RK73GH2A111D	CHIP R 110 D 1/10W	
R142			RK73GB2A6R8J	CHIP R 6.8 J 1/10W	
R144			RK73GB2A222J	CHIP R 2.2K J 1/10W	
R145			RK73GB2A102J	CHIP R 1.0K J 1/10W	
R146			RK73GB2A332J	CHIP R 3.3K J 1/10W	
R147,148			RK73GB2A103J	CHIP R 10K J 1/10W	
R150			RK73GB2A103J	CHIP R 10K J 1/10W	
R151			RK73GB2A102J	CHIP R 1.0K J 1/10W	
R152			RK73GB2A221J	CHIP R 220 J 1/10W	
R153-155			RK73GB2A330J	CHIP R 33 J 1/10W	
S1,2			S68-0863-05	PUSH SWITCH	
S3			S68-0862-05	PUSH SWITCH	
D2			DA204U	DIODE	
D3			DAN202U	DIODE	
D4,5			MAZS0510L	ZENER DIODE	
D6			DAN202U	DIODE	

Ref. No.	Add	New	Parts No.	Description	Destination
IC1			91CU27UG5UR8	MICROCONTROLLER IC	
IC2			UPD63712GC	MOS-IC	
IC4			BA5824FP	ANALOGUE IC	
IC5			NJM2886DL2-33	ANALOGUE IC	
IC13			NJM4580V-ZB	ANALOGUE IC	
IC14			TAR5S50-F	ANALOGUE IC	
IC15		*	CS7410-IQZ	MOS-IC	
IC16		*	MSM56V16160F10	DRAM IC	
IC17		*	W400DB55N6E6T8	ROM IC	
IC18			PCM1793DB	MOS-IC	
IC19			S-1112B33MCG	ANALOGUE IC	
IC20		*	XC6219B182PR	ANALOGUE IC	
IC21		*	XC6219B332PR	ANALOGUE IC	
Q1			2SK3018	FET	
Q3			UMD9N	TRANSISTOR	
Q4			2SK3018	FET	
Q5			UMD9N	TRANSISTOR	
Q6			UMD12N	TRANSISTOR	
Q7			DTC124EUA	DIGITAL TRANSISTOR	
Q8		*	2SB0970(R)	TRANSISTOR	
Q9,10			DTC114YUA	DIGITAL TRANSISTOR	
Q11			2SK210(GR)	FET	
Q12			DTA143XUA	DIGITAL TRANSISTOR	
Q13			DTC143XUA	DIGITAL TRANSISTOR	
Q14			DTC114YUA	DIGITAL TRANSISTOR	
Q15		*	2SB0970(R)	TRANSISTOR	
ELECTRIC UNIT (X34-3xxx-xx)					
D451			B30-1566-05	LED (RED)	
C1		*	C90-6743-05	ELECTRO 3900UF 16WV	KK1M1
C1			C90-6744-05	ELECTRO 3900UF 16WV	E1E2E3
C1			C90-6744-05	ELECTRO 3900UF 16WV	K2E4
C10			CK73FB1C105K	CHIP C 1.0UF K	
C11			CD04AY1A221M	ELECTRO 220UF 10WV	
C20			CD04BA0J101M	ELECTRO 100UF 6.3WV	
C21			C90-5692-05	ELECTRO 220UF 16WV	
C22			CK73GB1H103K	CHIP C 0.010UF K	
C23			CE32CL1C100M	CHIP EL 10UF 16WV	
C30			CK73GB1A474K	CHIP C 0.47UF K	
C31			CD04AY1A101M	ELECTRO 100UF 10WV	
C32			CK73GB1A474K	CHIP C 0.47UF K	
C33		*	CE32BJ1C101M	CHIP EL 100UF 16WV	
C40			CK73GB1H103K	CHIP C 0.010UF K	
C41			CD04BA0J470M	ELECTRO 47UF 6.3WV	
C42			CK73GB1C104K	CHIP C 0.10UF K	
C43			CK73GB1H104K	CHIP C 0.10UF K	
C44			CD04AS1C100M	ELECTRO 10UF 16WV	
C50			CK73GB1H104K	CHIP C 0.10UF K	
C51			CD04AS1C470M	ELECTRO 47UF 16WV	
C60			CK73FB1C474K	CHIP C 0.47UF K	
C61			CK73GB0J105K	CHIP C 1.0UF K	
C63			CK73FB0J106K	CHIP C 10UF K	
C64			CK73GB1H103K	CHIP C 0.010UF K	
C67			CK73GB1H103K	CHIP C 0.010UF K	

E1 : KDC-W8531 E2 : KDC-W7531Y E3 : KDC-W8531Y E4 : KDC-W7531
K : KDC-X889 K1 : KDC-X789 K2 : KDC-MP828 M1 : KDC-X8529
(E : Europe K : North America M : Other Areas W : Without Europe)

△ Indicates safety critical components.

PARTS LIST

ELECTRIC UNIT (X34-3xxx-xx)

Ref. No.	A	N	Parts No.	Description	Desti- nation	Ref. No.	A	N	Parts No.	Description	Desti- nation
	d	e					d	e			
C68			CK73GB1C104K	CHIP C 0.10UF K		C369			CK73FB1A105K	CHIP C 1.0UF K	
C69			CK73FB0J106K	CHIP C 10UF K		C370			CK73GB1C104K	CHIP C 0.10UF K	KK2
C71			CK73GB1C104K	CHIP C 0.10UF K		C371			CK73GB0J105K	CHIP C 1.0UF K	KK2
C72			CK73GB1C683K	CHIP C 0.068UF K		C374			CK73GB1C104K	CHIP C 0.10UF K	KK2
C73		*	CK73EB1C106K	CHIP C 10UF K		C376			CK73GB1C104K	CHIP C 0.10UF K	KK2
C74		*	CD04BK1E101M	ELECTRO 100UF 25WV		C377			CK73GB0J105K	CHIP C 1.0UF K	KK2
C75			CD04BF1C101M	ELECTRO 100UF 16WV		C378			CK73GB1E473K	CHIP C 0.047UF K	KK2
C76			CK73GB1C224K	CHIP C 0.22UF K		C379			CK73GB1C104K	CHIP C 0.10UF K	KK2
C81		*	C93-1382-05	CHIP C 1UF K		C380			CK73GB0J105K	CHIP C 1.0UF K	KK2
C82		*	C93-1381-05	CHIP C 1UF K		C381			CK73GB1E473K	CHIP C 0.047UF K	KK2
C84		*	C93-1381-05	CHIP C 1UF K		C382			CK73GB1C104K	CHIP C 0.10UF K	KK2
C85		*	C93-1382-05	CHIP C 1UF K		C383			CK73GB0J105K	CHIP C 1.0UF K	KK2
C86			CK73EB1C105K	CHIP C 1.0UF K		C384			CK73FB1A105K	CHIP C 1.0UF K	
C87			CK73GB1H103K	CHIP C 0.010UF K		C385,386			CK73GB1H152K	CHIP C 1500PF K	
C88			CK73GB1C224K	CHIP C 0.22UF K		C387-392			CC73GCH1H101J	CHIP C 100PF J	KK2
C100			CK73GB1H104K	CHIP C 0.10UF K		C387,388			CC73GCH1H101J	CHIP C 100PF J	E2E3E4
C102,103			CC73GCH1H220J	CHIP C 22PF J		C387,388			CC73GCH1H101J	CHIP C 100PF J	K1M1E1
C104-106			CK73GB1H103K	CHIP C 0.010UF K		C393-395			CE32CL1C100M	CHIP EL 10UF 16WV	KK2
C107			CK73GB1H102K	CHIP C 1000PF K		C396,397			CC73GCH1H101J	CHIP C 100PF J	KK2
C109-113			CK73GB1H103K	CHIP C 0.010UF K		C398,399			CK73GB1C104K	CHIP C 0.10UF K	KK2
C114			CD04AS0J470M	ELECTRO 47UF 6.3WV		C402			CK73GB1H103K	CHIP C 0.010UF K	E2E3K2
C200,201			CK73GB1H103K	CHIP C 0.010UF K		C402			CK73GB1H103K	CHIP C 0.010UF K	E4
C202			CK73GB1H102K	CHIP C 1000PF K		C402			CK73GB1H103K	CHIP C 0.010UF K	KK1E1
C203			CK73GB1E223K	CHIP C 0.022UF K		C403			CK73FB1A225K	CHIP C 2.2UF K	E2E3K2
C204			CK73GB1H103K	CHIP C 0.010UF K		C403			CK73FB1A225K	CHIP C 2.2UF K	E4
C205,206			CK73FB1C105K	CHIP C 1.0UF K		C403			CK73FB1A225K	CHIP C 2.2UF K	KK1E1
C298,299			CK73GB1C104K	CHIP C 0.10UF K	KK2	C404			CC73GCH1H331J	CHIP C 330PF J	E2E3K2
C300			CD04AS1C470M	ELECTRO 47UF 16WV		C404			CC73GCH1H331J	CHIP C 330PF J	E4
C301			CD04AT1H010M	ELECTRO 1UF 50WV		C404			CC73GCH1H331J	CHIP C 330PF J	KK1E1
C302			CD04AS1E4R7M	ELECTRO 4.7UF 25WV		C405			CD04AT1C100M	ELECTRO 10UF 16WV	E2E3K2
C303,304			CD04AS1H3R3M	ELECTRO 3.3UF 50WV		C405			CD04AT1C100M	ELECTRO 10UF 16WV	E4
C305			CK73FB1A105K	CHIP C 1.0UF K		C405			CD04AT1C100M	ELECTRO 10UF 16WV	KK1E1
C306			CK73GB1H103K	CHIP C 0.010UF K		C407			CK73GB1H103K	CHIP C 0.010UF K	
C307			CE32CL1C100M	CHIP EL 10UF 16WV		C409,410			CK73GB1H103K	CHIP C 0.010UF K	
C308,309			CD04AS1H2R2M	ELECTRO 2.2UF 50WV		C412			CK73GB1H103K	CHIP C 0.010UF K	
C310,311			CK73FB1C474K	CHIP C 0.47UF K		C414,415			CC73GCH1H120J	CHIP C 12PF J	E2E3K2
C312			CK73GB1H152K	CHIP C 1500PF K	KK2	C414,415			CC73GCH1H120J	CHIP C 12PF J	E4
C314			CD04AS1C220M	ELECTRO 22UF 16WV	KK2	C414,415			CC73GCH1H120J	CHIP C 12PF J	KK1E1
C315			CK73GB1H152K	CHIP C 1500PF K	KK2	C450-452			CK73GB1C104K	CHIP C 0.10UF K	E1E2E3
C317			CD04AS1C220M	ELECTRO 22UF 16WV	KK2	C450-452			CK73GB1C104K	CHIP C 0.10UF K	E4
C318,319			CK73GB1C104K	CHIP C 0.10UF K	KK2	C450-455			CK73GB1C104K	CHIP C 0.10UF K	KK1M1
C320			CE32CL1C100M	CHIP EL 10UF 16WV	KK2	C450-455			CK73GB1C104K	CHIP C 0.10UF K	K2
C321-323			CK73GB1C104K	CHIP C 0.10UF K	KK2	C458			CK73GB0J105K	CHIP C 1.0UF K	KK1M1
C324,325			CC73GCH1H060D	CHIP C 6.0PF D	KK2	C458			CK73GB0J105K	CHIP C 1.0UF K	K2
C326			CK73GB1H103K	CHIP C 0.010UF K	KK2	C500-504			CK73EB1A475K	CHIP C 4.7UF K	E2E3K2
C327-334			CD04AS1C100M	ELECTRO 10UF 16WV	KK2	C500-504			CK73EB1A475K	CHIP C 4.7UF K	E4
C335-340			CK73GB1H102K	CHIP C 1000PF K	KK2	C500-504			CK73EB1A475K	CHIP C 4.7UF K	KM1E1
C341-346			CC73GCH1H821J	CHIP C 820PF J	KK2	C505			CK73GB1H103K	CHIP C 0.010UF K	E2E3K2
C347-350			CC73GCH1H221J	CHIP C 220PF J	KK2	C505			CK73GB1H103K	CHIP C 0.010UF K	E4
C351-354			CC73GCH1H181J	CHIP C 180PF J	KK2	C505			CK73GB1H103K	CHIP C 0.010UF K	KM1E1
C355-360			CD04AT1C100M	ELECTRO 10UF 16WV	KK2	C506			CE32CL1C100M	CHIP EL 10UF 16WV	E2E3K2
C364,365			CD04AS1H010M	ELECTRO 1UF 50WV		C506			CE32CL1C100M	CHIP EL 10UF 16WV	E4
C366			CK73GB1C104K	CHIP C 0.10UF K	KK2	C506			CE32CL1C100M	CHIP EL 10UF 16WV	KM1E1
C367			CE32CL1C100M	CHIP EL 10UF 16WV	KK2	C550,551			CK73GB1H103K	CHIP C 0.010UF K	
C368			CK73GB1H682K	CHIP C 6800PF K	KK2	C600,601			CK73EB1C225K	CHIP C 2.2UF K	E1E3K2

E1 : KDC-W8531 E2 : KDC-W7531Y E3 : KDC-W8531Y E4 : KDC-W7531

K : KDC-X889 K1 : KDC-X789 K2 : KDC-MP828 M1 : KDC-X8529

46 (E : Europe K : North America M : Other Areas W : Without Europe)

△ Indicates safety critical components.

PARTS LIST

ELECTRIC UNIT (X34-3xxx-xx)

Ref. No.	Add	New	Parts No.	Description	Destination	Ref. No.	Add	New	Parts No.	Description	Destination
C600,601			CK73EB1C225K	CHIP C 2.2UF K	KK1M1	CN600			E41-0224-05	PIN ASSY	
C602			CK73GB1H103K	CHIP C 0.010UF K	E1E3K2	J1			E58-0991-05	RECTANGULAR RECEPTACLE	
C602			CK73GB1H103K	CHIP C 0.010UF K	KK1M1	J2			E56-0855-05	CYLINDRICAL RECEPTACLE	
C603			CK73GB1E223K	CHIP C 0.022UF K	E1E3K2	P1			E23-0745-05	TERMINAL	
C603			CK73GB1E223K	CHIP C 0.022UF K	KK1M1	W400	1D	*	E30-6438-05	CORD WITH PLUG	
C604			CD04AS1C220M	ELECTRO 22UF 16WV	E1E3K2	L1			L33-1988-05	CHOKO COIL ASSY	
C604			CD04AS1C220M	ELECTRO 22UF 16WV	KK1M1	L60		*	L33-2229-05	SMALL FIXED INDUCTOR (68UH)	
C605-608			CK73EB1C225K	CHIP C 2.2UF K	E1E3K2	L61		*	L33-2230-05	SMALL FIXED INDUCTOR (100UH)	
C605-608			CK73EB1C225K	CHIP C 2.2UF K	KK1M1	L81		*	L33-2228-05	SMALL FIXED INDUCTOR (4.7UH)	
C609			CD04BF1C101M	ELECTRO 100UF 16WV	E1E3K2	L100			L92-0075-05	CHIP FERRITE	
C609			CD04BF1C101M	ELECTRO 100UF 16WV	KK1M1	L101			L41-4795-33	SMALL FIXED INDUCTOR (4.7UH)	
C610			CD04AS1C220M	ELECTRO 22UF 16WV	E1E3K2	L400			L33-2260-05	CHOKO COIL	
C610			CD04AS1C220M	ELECTRO 22UF 16WV	KK1M1	L401			L41-4795-33	SMALL FIXED INDUCTOR (4.7UH)	
C610			CD04AS1E4R7M	ELECTRO 4.7UF 25WV	E2E4	L403			L41-4795-33	SMALL FIXED INDUCTOR (4.7UH)	
C611			CE32CL1C100M	CHIP EL 10UF 16WV		L405			L41-4795-33	SMALL FIXED INDUCTOR (4.7UH)	E2E3K2
C612,613			CD04AT1C100M	ELECTRO 10UF 16WV	E1E3K2	L405			L41-4795-33	SMALL FIXED INDUCTOR (4.7UH)	E4
C612,613			CD04AT1C100M	ELECTRO 10UF 16WV	KK1M1	L405			L41-4795-33	SMALL FIXED INDUCTOR (4.7UH)	KK1E1
C614,615			CE32CL1C100M	CHIP EL 10UF 16WV		L600			L41-2205-33	SMALL FIXED INDUCTOR (22UH)	E1E3K2
C616,617			CD04AT1C100M	ELECTRO 10UF 16WV		L600			L41-2205-33	SMALL FIXED INDUCTOR (22UH)	KK1M1
C618,619			CE32CL1C100M	CHIP EL 10UF 16WV		X100			L78-0872-05	RESONATOR (12MHZ)	
C620,621			CD04AS1C100M	ELECTRO 10UF 16WV		X101			L77-2880-05	CRYSTAL RESONATOR (32.768KHZ)	
C622			CE32CL1C100M	CHIP EL 10UF 16WV		X300			L77-2857-05	CRYSTAL RESONATOR (11.2896MH)	KK2
C623-628			CK73GB1H102K	CHIP C 1000PF K	E1E3K2	X401			L77-2002-05	CRYSTAL RESONATOR (4.332MHZ)	E2E3K2
C623-628			CK73GB1H102K	CHIP C 1000PF K	KK1M1	X401			L77-2002-05	CRYSTAL RESONATOR (4.332MHZ)	E4
C629			CK73FB1C474K	CHIP C 0.47UF K		X401			L77-2002-05	CRYSTAL RESONATOR (4.332MHZ)	KK1E1
C630			CD04AT0J470M	ELECTRO 47UF 6.3WV		Q	1D		N83-3005-48	PAN HEAD TAPTITE SCREW	
C631			CK73FB1C474K	CHIP C 0.47UF K		T	2D		N80-3010-48	PAN HEAD TAPTITE SCREW	
C632			CK73GB1H103K	CHIP C 0.010UF K		V	2D		N83-3020-48	PAN HEAD TAPTITE SCREW	
C633,634			CE32CL1C100M	CHIP EL 10UF 16WV							
C635-638			CK73GB0J105K	CHIP C 1.0UF K	E1E3K2	CP100			RK74GB1J101J	CHIP-COM 100 J 1/16W	
C635-638			CK73GB0J105K	CHIP C 1.0UF K	KK1M1	CP101-103			RK74GA1J101J	CHIP-COM 100 J 1/16W	KK1M1
C701			CK73FB1C474K	CHIP C 0.47UF K		CP101-103			RK74GA1J101J	CHIP-COM 100 J 1/16W	K2
C702			CD04AS0J470M	ELECTRO 47UF 6.3WV		CP101,102			RK74GA1J101J	CHIP-COM 100 J 1/16W	E1E2E3
C703			CK73FB1C474K	CHIP C 0.47UF K		CP101,102			RK74GA1J101J	CHIP-COM 100 J 1/16W	E4
C704			CK73GB1H103K	CHIP C 0.010UF K							
C750			CK73FB1C105K	CHIP C 1.0UF K		CP104			RK74GA1J102J	CHIP-COM 1.0K J 1/16W	
C752-755	*		C90-6742-05	NP-ELECT 4.7UF 16WV		CP105			RK74GB1J101J	CHIP-COM 100 J 1/16W	KK2
C756			CD04AS1A101M	ELECTRO 100UF 10WV		CP106			RK74GA1J103J	CHIP-COM 10K J 1/16W	
C757	*		C90-6742-05	NP-ELECT 4.7UF 16WV		CP107			RK74GB1J102J	CHIP-COM 1.0K J 1/16W	
C758			CK73GB1H103K	CHIP C 0.010UF K		CP108			RK74GA1J222J	CHIP-COM 2.2K J 1/16W	
C759			CK73FB1C105K	CHIP C 1.0UF K		CP109			RK74GB1J101J	CHIP-COM 100 J 1/16W	E2E3K2
C800-802			CD04AS1C100M	ELECTRO 10UF 16WV		CP109			RK74GB1J101J	CHIP-COM 100 J 1/16W	E4
C803			CK73GB1H104K	CHIP C 0.10UF K		CP109			RK74GB1J101J	CHIP-COM 100 J 1/16W	KK1E1
C804			CK73GB1H103K	CHIP C 0.010UF K		CP110,111			RK74GA1J101J	CHIP-COM 100 J 1/16W	
C805			CD04AS1C470M	ELECTRO 47UF 16WV		CP300			RK74GB1J101J	CHIP-COM 100 J 1/16W	KK2
C806,807			CK73GB1H102K	CHIP C 1000PF K		R1			RK73EB2E102J	CHIP R 1.0K J 1/4W	E1E2E3
C808			CD04BA1C101M	ELECTRO 100UF 16WV		R1			RK73EB2E102J	CHIP R 1.0K J 1/4W	E4
C809			CC73GCH1H101J	CHIP C 100PF J		R1			RK73EB2E102J	CHIP R 1.0K J 1/4W	KK1M1
C812			CC73GCH1H471J	CHIP C 470PF J		R2,3			RK73EB2E103J	CHIP R 10K J 1/4W	
C813			CC73GCH1H101J	CHIP C 100PF J		R10			RK73GH2A243D	CHIP R 24K D 1/10W	
CN5			E41-0944-05	PIN ASSY	E2E3E4	R11			RK73FB2B221J	CHIP R 220 J 1/8W	
CN5			E41-0944-05	PIN ASSY	KK1E1	R12			RK73GB2A153J	CHIP R 15K J 1/10W	
CN450	*		E41-2259-05	PIN ASSY		R13			RK73GH2A432D	CHIP R 4.3K D 1/10W	
CN500	*		E41-2344-05	FLAT CABLE CONNECTOR		R20			RK73FB2B203J	CHIP R 20K J 1/8W	
CN550	*		E41-2352-05	FLAT CABLE CONNECTOR		R21			RK73GB2A223J	CHIP R 22K J 1/10W	
						R22			RK73GB2A101J	CHIP R 100 J 1/10W	

E1 : KDC-W8531 E2 : KDC-W7531Y E3 : KDC-W8531Y E4 : KDC-W7531
K : KDC-X889 K1 : KDC-X789 K2 : KDC-MP828 M1 : KDC-X8529
(E : Europe K : North America M : Other Areas W : Without Europe)

△ Indicates safety critical components.

PARTS LIST

ELECTRIC UNIT (X34-3xxx-xx)

Ref. No.	A d	N e w	Parts No.	Description	Desti- nation	Ref. No.	A d	N e w	Parts No.	Description	Desti- nation
R23			RK73FB2B272J	CHIP R 2.7K J 1/8W		R130			RK73GB2A222J	CHIP R 2.2K J 1/10W	
R30			RK73FB2B102J	CHIP R 1.0K J 1/8W		R131			RK73GB2A473J	CHIP R 47K J 1/10W	
R31			RK73FB2B152J	CHIP R 1.5K J 1/8W		R132,133			RK73GB2A472J	CHIP R 4.7K J 1/10W	
R40			RK73FB2B223J	CHIP R 22K J 1/8W		R134			RK73GB2A101J	CHIP R 100 J 1/10W	
R41			RK73FB2B182J	CHIP R 1.8K J 1/8W		R136-138			RK73GB2A104J	CHIP R 100K J 1/10W	KK2
R42			RK73GB2A105J	CHIP R 1.0M J 1/10W		R139			RK73GB2A473J	CHIP R 47K J 1/10W	
R46			RK73SB3A2R2J	CHIP R 2.2 J 1W		R140			RK73GB2A104J	CHIP R 100K J 1/10W	KK2
R50			RK73FB2B152J	CHIP R 1.5K J 1/8W		R141,142			RK73GB2A473J	CHIP R 47K J 1/10W	
R52			RK73FB2B102J	CHIP R 1.0K J 1/8W		R144,145			RK73GB2A101J	CHIP R 100 J 1/10W	
R60			RK73GH2A103D	CHIP R 10K D 1/10W		R146			RK73GB2A333J	CHIP R 33K J 1/10W	
R61			RN73GH1J153D	CHIP R 15K D 1/16W		R147			RK73GB2A102J	CHIP R 1.0K J 1/10W	
R62			RK73GB2A103J	CHIP R 10K J 1/10W		R148			RK73GB2A473J	CHIP R 47K J 1/10W	
R63,64			RK73GH2A103D	CHIP R 10K D 1/10W		R149,150			RK73GB2A223J	CHIP R 22K J 1/10W	
R66			RK73GB2A104J	CHIP R 100K J 1/10W		R153			RK73GB2A223J	CHIP R 22K J 1/10W	K2
R67			RK73GH2A273D	CHIP R 27K D 1/10W		R153-155			RK73GB2A223J	CHIP R 22K J 1/10W	K1
R68			RN73GH1J243D	CHIP R 24K D 1/16W		R153-156			RK73GB2A223J	CHIP R 22K J 1/10W	K
R69			RK73GB2A104J	CHIP R 100K J 1/10W		R154			RK73GB2A223J	CHIP R 22K J 1/10W	E1E2E3
R70			RK73GH2A303D	CHIP R 30K D 1/10W		R154			RK73GB2A223J	CHIP R 22K J 1/10W	E4
R71		*	RN73GH1J1912D	CHIP R 19.1K D 1/16W		R154-157			RK73GB2A223J	CHIP R 22K J 1/10W	M1
R73			RK73GB2A103J	CHIP R 10K J 1/10W		R155,156			RK73GB2A223J	CHIP R 22K J 1/10W	K2
R74			RK73GH2A822D	CHIP R 8.2K D 1/10W		R156,157			RK73GB2A223J	CHIP R 22K J 1/10W	E2E4
R75			RK73GB2A105J	CHIP R 1.0M J 1/10W		R157			RK73GB2A223J	CHIP R 22K J 1/10W	E1E3
R76,77			RK73GB2A104J	CHIP R 100K J 1/10W		R158			RK73GB2A223J	CHIP R 22K J 1/10W	K2
R79			RK73GB2A102J	CHIP R 1.0K J 1/10W		R159			RK73GB2A223J	CHIP R 22K J 1/10W	E2E4
R80		*	RK73GH2A434D	CHIP R 430K D 1/10W		R159,160			RK73GB2A223J	CHIP R 22K J 1/10W	E1E3
R81			RK73GB2A473J	CHIP R 47K J 1/10W		R160			RK73GB2A223J	CHIP R 22K J 1/10W	K1
R82			RK73GH2A103D	CHIP R 10K D 1/10W		R163			RK73GB2A104J	CHIP R 100K J 1/10W	
R83			RK73GB2A104J	CHIP R 100K J 1/10W		R164			RK73GB2A223J	CHIP R 22K J 1/10W	
R84			RK73GH2A153D	CHIP R 15K D 1/10W		R165,166			RK73GB2A222J	CHIP R 2.2K J 1/10W	
R85		*	RK73PB2H102J	CHIP R 1.0K J 1/2W		R168			RK73GB2A222J	CHIP R 2.2K J 1/10W	
R86			RK73GB2A473J	CHIP R 47K J 1/10W		R170-173			RK73GB2A223J	CHIP R 22K J 1/10W	
R91,92			RK73GB2A104J	CHIP R 100K J 1/10W		R176			RK73GB2A104J	CHIP R 100K J 1/10W	
R93			RK73FB2B431J	CHIP R 430 J 1/8W		R177			RK73GB2A223J	CHIP R 22K J 1/10W	
R100-104			RK73GB2A104J	CHIP R 100K J 1/10W		R178			RK73GB2A473J	CHIP R 47K J 1/10W	
R105			RK73GB2A101J	CHIP R 100 J 1/10W		R181			RK73GB2A473J	CHIP R 47K J 1/10W	
R106			RK73GB2A222J	CHIP R 2.2K J 1/10W		R183			RK73GB2A473J	CHIP R 47K J 1/10W	
R107			RK73GB2A473J	CHIP R 47K J 1/10W		R185			RK73GB2A102J	CHIP R 1.0K J 1/10W	
R109			RK73GB2A223J	CHIP R 22K J 1/10W		R187			RK73GB2A473J	CHIP R 47K J 1/10W	
R110			RK73GB2A103J	CHIP R 10K J 1/10W		R200			RK73EB2E473J	CHIP R 47K J 1/4W	
R111			RK73GB2A104J	CHIP R 100K J 1/10W		R201			RD14DB2H332J-T	SMALL-RD 3.3K J 1/2W	
R112			RK73GB2A473J	CHIP R 47K J 1/10W		R202			RK73GB2A183J	CHIP R 18K J 1/10W	
R113			RK73GB2A103J	CHIP R 10K J 1/10W		R203			RK73GB2A104J	CHIP R 100K J 1/10W	
R114			RK73GB2A473J	CHIP R 47K J 1/10W		R204			RK73GB2A393J	CHIP R 39K J 1/10W	
R115			RK73GB2A101J	CHIP R 100 J 1/10W		R205			RK73GB2A103J	CHIP R 10K J 1/10W	
R117			RK73GB2A101J	CHIP R 100 J 1/10W		R206			RK73GB2A474J	CHIP R 470K J 1/10W	
R118			RK73GB2A102J	CHIP R 1.0K J 1/10W		R207			RK73GB2A103J	CHIP R 10K J 1/10W	
R119			RK73GB2A223J	CHIP R 22K J 1/10W		R208			RK73EB2E101J	CHIP R 100 J 1/4W	
R120			RK73GB2A104J	CHIP R 100K J 1/10W		R209			RK73FB2B683J	CHIP R 68K J 1/8W	
R121			RK73GB2A103J	CHIP R 10K J 1/10W		R210			RK73FB2B203J	CHIP R 20K J 1/8W	
R122,123			RK73GB2A101J	CHIP R 100 J 1/10W		R211			RK73GB2A103J	CHIP R 10K J 1/10W	
R125			RK73GB2A222J	CHIP R 2.2K J 1/10W		R212			RK73GB2A223J	CHIP R 22K J 1/10W	
R126			RK73GB2A101J	CHIP R 100 J 1/10W		R213			RK73GB2A473J	CHIP R 47K J 1/10W	
R127			RK73GB2A103J	CHIP R 10K J 1/10W		R214			RK73GB2A104J	CHIP R 100K J 1/10W	
R128			RK73GB2A222J	CHIP R 2.2K J 1/10W		R215			RK73FB2B561J	CHIP R 560 J 1/8W	E1E2E3
R129			RK73GB2A102J	CHIP R 1.0K J 1/10W		R215			RK73FB2B561J	CHIP R 560 J 1/8W	E4

E1 : KDC-W8531 E2 : KDC-W7531Y E3 : KDC-W8531Y E4 : KDC-W7531

K : KDC-X889 K1 : KDC-X789 K2 : KDC-MP828 M1 : KDC-X8529

48 (E : Europe K : North America M : Other Areas W : Without Europe)

△ Indicates safety critical components.

PARTS LIST

ELECTRIC UNIT (X34-3xxx-xx)

Ref. No.	Add	New	Parts No.	Description	Destination	Ref. No.	Add	New	Parts No.	Description	Destination
R215			RK73FB2B561J	CHIP R 560 J 1/8W	KK1M1	R500			RK73GB2A473J	CHIP R 47K J 1/10W	E4
R216			RK73GB2A223J	CHIP R 22K J 1/10W	KK1M1	R500			RK73GB2A473J	CHIP R 47K J 1/10W	KK1E1
R216			RK73GB2A223J	CHIP R 22K J 1/10W	K2	R501			RK73EB2E101J	CHIP R 100 J 1/4W	
R217			RK73SB3A471J	CHIP R 470 J 1W	KK1M1	R502			RK73GB2A102J	CHIP R 1.0K J 1/10W	E2E3K2
R217			RK73SB3A471J	CHIP R 470 J 1W	K2	R502			RK73GB2A102J	CHIP R 1.0K J 1/10W	E4
R218,219			RK73FB2B472J	CHIP R 4.7K J 1/8W		R502			RK73GB2A102J	CHIP R 1.0K J 1/10W	KK1E1
R300			RK73EB2E2R2J	CHIP R 2.2 J 1/4W		R503			RK73GB2A333J	CHIP R 33K J 1/10W	E2E3K2
R301			RK73GB2A103J	CHIP R 10K J 1/10W		R503			RK73GB2A333J	CHIP R 33K J 1/10W	E4
R302,303			RK73GB2A471J	CHIP R 470 J 1/10W	KK2	R503			RK73GB2A333J	CHIP R 33K J 1/10W	KK1E1
R304-307			RK73GB2A241J	CHIP R 240 J 1/10W	KK2	R504,505			RK73GB2A473J	CHIP R 47K J 1/10W	E2E3K2
R308-311			RK73GB2A103J	CHIP R 10K J 1/10W	KK2	R504,505			RK73GB2A473J	CHIP R 47K J 1/10W	E4
R312,313			RK73GB2A471J	CHIP R 470 J 1/10W	KK2	R504,505			RK73GB2A473J	CHIP R 47K J 1/10W	KK1E1
R314-317			RK73GB2A241J	CHIP R 240 J 1/10W	KK2	R506			RK73GB2A821J	CHIP R 820 J 1/10W	E2E3K2
R318-321			RK73GB2A103J	CHIP R 10K J 1/10W	KK2	R506			RK73GB2A821J	CHIP R 820 J 1/10W	E4
R322			RK73FB2B2R2J	CHIP R 2.2 J 1/8W	KK2	R506			RK73GB2A821J	CHIP R 820 J 1/10W	KK1E1
R323-330			RK73GB2A221J	CHIP R 220 J 1/10W	KK2	R507			RK73GB2A104J	CHIP R 100K J 1/10W	E2E3K2
R331			RK73GB2A473J	CHIP R 47K J 1/10W	KK2	R507			RK73GB2A104J	CHIP R 100K J 1/10W	E4
R333			RK73FB2B2R2J	CHIP R 2.2 J 1/8W	KK2	R507			RK73GB2A104J	CHIP R 100K J 1/10W	KK1E1
R334			RK73GB2A2R2J	CHIP R 2.2 J 1/10W	KK2	R508			RK73GB2A101J	CHIP R 100 J 1/10W	E2E3K2
R335,336			RK73GB2A101J	CHIP R 100 J 1/10W		R508			RK73GB2A101J	CHIP R 100 J 1/10W	E4
R337			RK73GB2A473J	CHIP R 47K J 1/10W	KK2	R508			RK73GB2A101J	CHIP R 100 J 1/10W	KK1E1
R342-357			RK73GB2A272J	CHIP R 2.7K J 1/10W	KK2	R509			RK73EB2E103J	CHIP R 10K J 1/4W	E2E3K2
R358-361			RK73GB2A332J	CHIP R 3.3K J 1/10W	KK2	R509			RK73EB2E103J	CHIP R 10K J 1/4W	E4
R362-364			RK73GB2A682J	CHIP R 6.8K J 1/10W	KK2	R509			RK73EB2E103J	CHIP R 10K J 1/4W	KK1E1
R365			RK73FB2B2R2J	CHIP R 2.2 J 1/8W	KK2	R510,511			RK73EB2E101J	CHIP R 100 J 1/4W	
R366			RK73GB2A682J	CHIP R 6.8K J 1/10W	KK2	R512,513			RK73GB2A334J	CHIP R 330K J 1/10W	E2E3K2
R367-374			RK73GB2A332J	CHIP R 3.3K J 1/10W	KK2	R512,513			RK73GB2A334J	CHIP R 330K J 1/10W	E4
R375-377			RK73GB2A473J	CHIP R 47K J 1/10W	KK2	R512,513			RK73GB2A334J	CHIP R 330K J 1/10W	KK1E1
R378			RK73GB2A101J	CHIP R 100 J 1/10W	KK2	R514			RK73EB2E101J	CHIP R 100 J 1/4W	
R379			RK73GB2A562J	CHIP R 5.6K J 1/10W	KK2	R515			RK73EB2E102J	CHIP R 1.0K J 1/4W	
R381			RK73GB2A473J	CHIP R 47K J 1/10W	KK2	R516			RK73EB2E472J	CHIP R 4.7K J 1/4W	
R382,383			RK73GB2A102J	CHIP R 1.0K J 1/10W		R517			RK73EB2E102J	CHIP R 1.0K J 1/4W	
R384-389			RK73GB2A101J	CHIP R 100 J 1/10W	KK2	R518,519			RK73GB2A103J	CHIP R 10K J 1/10W	E2E3K2
R390			RK73FB2B100J	CHIP R 10 J 1/8W	KK2	R518,519			RK73GB2A103J	CHIP R 10K J 1/10W	E4
R391,392			RK73GB2A473J	CHIP R 47K J 1/10W	KK2	R518,519			RK73GB2A103J	CHIP R 10K J 1/10W	KK1E1
R393			RK73GB2A101J	CHIP R 100 J 1/10W	KK2	R520			RK73GB2A1R0J	CHIP R 1.0 J 1/10W	E2E3K2
R394-396			RK73FB2B100J	CHIP R 10 J 1/8W	KK2	R520			RK73GB2A1R0J	CHIP R 1.0 J 1/10W	E4
R397			RK73GB2A103J	CHIP R 10K J 1/10W	KK2	R520			RK73GB2A1R0J	CHIP R 1.0 J 1/10W	KK1E1
R398			RK73GB2A473J	CHIP R 47K J 1/10W	KK2	R550			RK73GB2A222J	CHIP R 2.2K J 1/10W	
R404			RK73GB2A223J	CHIP R 22K J 1/10W		R551			RK73GB2A471J	CHIP R 470 J 1/10W	
R405,406			RK73GB2A471J	CHIP R 470 J 1/10W		R552,553			RK73GB2A104J	CHIP R 100K J 1/10W	
R407,408			RK73GB2A472J	CHIP R 4.7K J 1/10W		R554			RK73GB2A471J	CHIP R 470 J 1/10W	
R409			RK73FB2B102J	CHIP R 1.0K J 1/8W		R600,601			RK73GB2A913J	CHIP R 91K J 1/10W	E1E3K2
R410-412			RK73GB2A222J	CHIP R 2.2K J 1/10W	E2E3K2	R600,601			RK73GB2A913J	CHIP R 91K J 1/10W	KK1M1
R410-412			RK73GB2A222J	CHIP R 2.2K J 1/10W	E4	R602			RK73GB2A103J	CHIP R 10K J 1/10W	E1E3K2
R410-412			RK73GB2A222J	CHIP R 2.2K J 1/10W	KK1E1	R602			RK73GB2A103J	CHIP R 10K J 1/10W	KK1M1
R450,451			RK73GB2A102J	CHIP R 1.0K J 1/10W		R603			RK73GB2A470J	CHIP R 47 J 1/10W	E1E3K2
R452			RK73GB2A241J	CHIP R 240 J 1/10W		R603			RK73GB2A470J	CHIP R 47 J 1/10W	KK1M1
R453,454			RK73GB2A102J	CHIP R 1.0K J 1/10W	KK1M1	R604			RK73GB2A274J	CHIP R 270K J 1/10W	E1E3K2
R453,454			RK73GB2A102J	CHIP R 1.0K J 1/10W	K2	R604			RK73GB2A274J	CHIP R 270K J 1/10W	KK1M1
R457			RK73GH2A241D	CHIP R 240 D 1/10W	KK1M1	R605			RK73GB2A563J	CHIP R 56K J 1/10W	E1E3K2
R457			RK73GH2A241D	CHIP R 240 D 1/10W	K2	R605			RK73GB2A563J	CHIP R 56K J 1/10W	KK1M1
R458			RK73GH2A111D	CHIP R 110 D 1/10W	KK1M1	R606			RK73GB2A752J	CHIP R 7.5K J 1/10W	E1E3K2
R458			RK73GH2A111D	CHIP R 110 D 1/10W	K2	R606			RK73GB2A752J	CHIP R 7.5K J 1/10W	KK1M1
R500			RK73GB2A473J	CHIP R 47K J 1/10W	E2E3K2	R607			RK73GB2A470J	CHIP R 47 J 1/10W	E1E3K2

E1 : KDC-W8531 E2 : KDC-W7531Y E3 : KDC-W8531Y E4 : KDC-W7531
 K : KDC-X889 K1 : KDC-X789 K2 : KDC-MP828 M1 : KDC-X8529
 (E : Europe K : North America M : Other Areas W : Without Europe)

△ Indicates safety critical components.

PARTS LIST

ELECTRIC UNIT (X34-3xxx-xx)

Ref. No.	A d d	N e w	Parts No.	Description	Desti- nation	Ref. No.	A d d	N e w	Parts No.	Description	Desti- nation
R607			RK73GB2A470J	CHIP R 47 J 1/10W	KK1M1	R644			RK73GB2A102J	CHIP R 1.0K J 1/10W	
R608			RK73GB2A272J	CHIP R 2.7K J 1/10W	E1E3K2	R655-660			RK73GB2A104J	CHIP R 100K J 1/10W	E1E3K2
R608			RK73GB2A272J	CHIP R 2.7K J 1/10W	KK1M1	R655-660			RK73GB2A104J	CHIP R 100K J 1/10W	KK1M1
R609			RK73GB2A750J	CHIP R 75 J 1/10W	E1E3K2	R700			RK73EB2E472J	CHIP R 4.7K J 1/4W	
R609			RK73GB2A750J	CHIP R 75 J 1/10W	KK1M1	R701			RK73EB2E101J	CHIP R 100 J 1/4W	
R610			RK73GB2A182J	CHIP R 1.8K J 1/10W		R702			RK73EB2E472J	CHIP R 4.7K J 1/4W	
R611			RK73GB2A361J	CHIP R 360 J 1/10W		R703-707			RK73EB2E101J	CHIP R 100 J 1/4W	
R612			RK73GB2A820J	CHIP R 82 J 1/10W	E1E3K2	R708			RK73EB2E100J	CHIP R 10 J 1/4W	
R612			RK73GB2A820J	CHIP R 82 J 1/10W	KK1M1	R709			RK73EB2E4R7J	CHIP R 4.7 J 1/4W	
R613			RK73GB2A123J	CHIP R 12K J 1/10W	E1E3K2	R710			RK73EB2E100J	CHIP R 10 J 1/4W	
R613			RK73GB2A123J	CHIP R 12K J 1/10W	KK1M1	R711			RK73GB2A102J	CHIP R 1.0K J 1/10W	
R614			RK73GB2A103J	CHIP R 10K J 1/10W	E1E3K2	R712			RK73EB2E102J	CHIP R 1.0K J 1/4W	E2E3K2
R614			RK73GB2A103J	CHIP R 10K J 1/10W	KK1M1	R712			RK73EB2E102J	CHIP R 1.0K J 1/4W	E4
R615			RK73GB2A223J	CHIP R 22K J 1/10W		R712			RK73EB2E102J	CHIP R 1.0K J 1/4W	KK1E1
R616			RK73GB2A103J	CHIP R 10K J 1/10W	E1E3K2	R713-715			RK73EB2E471J	CHIP R 470 J 1/4W	E2E3K2
R616			RK73GB2A103J	CHIP R 10K J 1/10W	KK1M1	R713-715			RK73EB2E471J	CHIP R 470 J 1/4W	E4
R617			RK73GB2A223J	CHIP R 22K J 1/10W		R713-715			RK73EB2E471J	CHIP R 470 J 1/4W	KK1E1
R618		*	RK73GB2A820J	CHIP R 82 J 1/10W	E1E3K2	R750			RK73GB2A683J	CHIP R 68K J 1/10W	
R618		*	RK73GB2A820J	CHIP R 82 J 1/10W	KK1M1	R752			RK73GB2A102J	CHIP R 1.0K J 1/10W	
R619			RK73GB2A123J	CHIP R 12K J 1/10W	E1E3K2	R753			RK73GB2A473J	CHIP R 47K J 1/10W	
R619			RK73GB2A123J	CHIP R 12K J 1/10W	KK1M1	R755-758			RK73GB2A471J	CHIP R 470 J 1/10W	
R620,621			RK73GB2A361J	CHIP R 360 J 1/10W		R759-762			RK73GB2A103J	CHIP R 10K J 1/10W	
R622		*	RK73GB2A820J	CHIP R 82 J 1/10W	E1E3K2	R763			RK73GB2A100J	CHIP R 10 J 1/10W	
R622		*	RK73GB2A820J	CHIP R 82 J 1/10W	KK1M1	R764			RK73GB2A103J	CHIP R 10K J 1/10W	
R623			RK73GB2A123J	CHIP R 12K J 1/10W	E1E3K2	R765			RK73GB2A432J	CHIP R 4.3K J 1/10W	
R623			RK73GB2A123J	CHIP R 12K J 1/10W	KK1M1	R766			RK73GB2A431J	CHIP R 430 J 1/10W	
R624			RK73GB2A103J	CHIP R 10K J 1/10W	E1E3K2	R767			RK73GB2A390J	CHIP R 39 J 1/10W	
R624			RK73GB2A103J	CHIP R 10K J 1/10W	KK1M1	R768			RK73GB2A223J	CHIP R 22K J 1/10W	
R625			RK73GB2A223J	CHIP R 22K J 1/10W		R770			RK73GB2A133J	CHIP R 13K J 1/10W	
R626			RK73GB2A103J	CHIP R 10K J 1/10W	E1E3K2	R771			RK73GB2A223J	CHIP R 22K J 1/10W	
R626			RK73GB2A103J	CHIP R 10K J 1/10W	KK1M1	R772			RK73GB2A221J	CHIP R 220 J 1/10W	
R627			RK73GB2A223J	CHIP R 22K J 1/10W		R800			RK73GB2A391J	CHIP R 390 J 1/10W	
R628		*	RK73GB2A820J	CHIP R 82 J 1/10W	E1E3K2	R801			RK73GB2A242J	CHIP R 2.4K J 1/10W	
R628		*	RK73GB2A820J	CHIP R 82 J 1/10W	KK1M1	R803			RK73GH2A512D	CHIP R 5.1K D 1/10W	
R629			RK73GB2A123J	CHIP R 12K J 1/10W	E1E3K2	R804			RK73GH2A472D	CHIP R 4.7K D 1/10W	
R629			RK73GB2A123J	CHIP R 12K J 1/10W	KK1M1	R805,806			RK73GB2A102J	CHIP R 1.0K J 1/10W	
R630,631			RK73GB2A361J	CHIP R 360 J 1/10W		R807			RK73GB2A103J	CHIP R 10K J 1/10W	
R632			RK73GB2A820J	CHIP R 82 J 1/10W	E1E3K2	R808			RK73GB2A113J	CHIP R 11K J 1/10W	
R632			RK73GB2A820J	CHIP R 82 J 1/10W	KK1M1	R809			RK73GB2A101J	CHIP R 100 J 1/10W	
R633			RK73GB2A123J	CHIP R 12K J 1/10W	E1E3K2	R810			RK73FB2B152J	CHIP R 1.5K J 1/8W	
R633			RK73GB2A123J	CHIP R 12K J 1/10W	KK1M1	R811			RK73GB2A104J	CHIP R 100K J 1/10W	
R634			RK73GB2A103J	CHIP R 10K J 1/10W	E1E3K2	R812			RK73FB2B4R7J	CHIP R 4.7 J 1/8W	
R634			RK73GB2A103J	CHIP R 10K J 1/10W	KK1M1	R813			RK73GB2A332J	CHIP R 3.3K J 1/10W	
R635			RK73GB2A223J	CHIP R 22K J 1/10W		R814,815			RK73GB2A101J	CHIP R 100 J 1/10W	
R636			RK73GB2A103J	CHIP R 10K J 1/10W	E1E3K2	R817			RK73GB2A100J	CHIP R 10 J 1/10W	
R636			RK73GB2A103J	CHIP R 10K J 1/10W	KK1M1	R818			RK73GB2A8R2J	CHIP R 8.2 J 1/10W	
R637			RK73GB2A223J	CHIP R 22K J 1/10W		R819-822			RK73GB2A9R1J	CHIP R 9.1 J 1/10W	
R638		*	RK73GB2A820J	CHIP R 82 J 1/10W	E1E3K2	R823			RK73FB2B1R0J	CHIP R 1.0 J 1/8W	
R638		*	RK73GB2A820J	CHIP R 82 J 1/10W	KK1M1	W201			R92-1252-05	CHIP R 0 OHM J 1/16W	E1E2E3
R639			RK73GB2A123J	CHIP R 12K J 1/10W	E1E3K2	W201			R92-1252-05	CHIP R 0 OHM J 1/16W	E4
R639			RK73GB2A123J	CHIP R 12K J 1/10W	KK1M1	W603,604			R92-1252-05	CHIP R 0 OHM J 1/16W	E2E4
R640			RK73GB2A361J	CHIP R 360 J 1/10W		W607-616			R92-1252-05	CHIP R 0 OHM J 1/16W	E2E4
R641			RK73EB2E100J	CHIP R 10 J 1/4W		W751			R92-1252-05	CHIP R 0 OHM J 1/16W	
R642			RK73EB2E4R7J	CHIP R 4.7 J 1/4W		S1,2			S68-0886-05	PUSH SWITCH	
R643			RK73EB2E100J	CHIP R 10 J 1/4W							

E1 : KDC-W8531 E2 : KDC-W7531Y E3 : KDC-W8531Y E4 : KDC-W7531

K : KDC-X889 K1 : KDC-X789 K2 : KDC-MP828 M1 : KDC-X8529

50 (E : Europe K : North America M : Other Areas W : Without Europe)

△ Indicates safety critical components.

PARTS LIST

ELECTRIC UNIT (X34-3xxx-xx)

Ref. No.	Add	New	Parts No.	Description	Destination	Ref. No.	Add	New	Parts No.	Description	Destination
D1			S2V60*A	DIODE		D750-753			D1F60-5063	DIODE	
D20			RB160L-40	DIODE		D750-753			1SR154-400	DIODE	
D21			UDZS5.6B	ZENER DIODE		D754,755			DAP222	DIODE	
D30			HZU9.1(B1)-E	ZENER DIODE		D754,755	*		KDS120E-P	DIODE	
D31			UDZS8.2B	ZENER DIODE		D756-759			D1F60-5063	DIODE	
D40			UDZS5.6B	ZENER DIODE		D756-759			1SR154-400	DIODE	
D41			HZU11(B1)-E	ZENER DIODE		D800			UDZS6.8B	ZENER DIODE	
D41		*	02DZ11F-Y	ZENER DIODE		D801			DA227	DIODE	
D50		*	HZU16(B1)-E	ZENER DIODE		D802			UDZS16B	ZENER DIODE	
D60,61			SFPB-54VNF	DIODE		IC1	*		XC6204B332MR	ANALOGUE IC	KK2
D80-82			RB060L-40	DIODE		IC3,4	*		NJM2864F05-ZB	ANALOGUE IC	KK2
D101			DA227	DIODE		IC5	*		XC6204B332MR	ANALOGUE IC	KK2
D102-104			DAP222	DIODE		IC10			M5237ML-CF0J	ANALOGUE IC	
D102-104		*	KDS120E-P	DIODE		IC60	*		FA3687V	ANALOGUE IC	
D200,201			DAP202U	DIODE		IC80	*		LT3467A	ANALOGUE IC	
D200,201			KDS120-P	DIODE		IC100			S-80836CNNB-J	MOS-IC	
D200,201			MC2846	DIODE		IC102	*		30625MGPA34GP	MICROCONTROLLER IC	E2E3E4
D202			UDZS6.2B	ZENER DIODE		IC102	*		30625MGPA34GP	MICROCONTROLLER IC	K1M1E1
D202			02DZ6.2F-Y	ZENER DIODE		IC102	*		30625MWPA33GP	MICROCONTROLLER IC	KK2
D203			UDZS6.8B	ZENER DIODE		IC103			TC7W02FU-F	MOS-IC	
D204			DAP202U	DIODE		IC104			BR24L04FV-W	ROM IC	
D204			KDS120-P	DIODE		IC200	*		TPD1018F-F	ANALOGUE IC	
D204			MC2846	DIODE		IC300			E-TDA7415	ANALOGUE IC	
D205			UDZS6.8B	ZENER DIODE		IC301,302	*		RC4580IDR	ANALOGUE IC	KK2
D206			UDZS4.7B	ZENER DIODE		IC303	*		AK7730A	MOS-IC	KK2
D207			UDZS5.6B	ZENER DIODE	E1E2E3	IC304			TC74HC4050AFT	MOS-IC	KK2
D207			UDZS5.6B	ZENER DIODE	E4	IC305	*		AK4359VF	MOS-IC	KK2
D207			UDZS5.6B	ZENER DIODE	KK1M1	IC306-308	*		RC4580IDR	ANALOGUE IC	KK2
D207			02DZ5.6F-Y	ZENER DIODE	E1E2E3	IC400			E-TDA7479AD	ANALOGUE IC	E2E3K2
D207			02DZ5.6F-Y	ZENER DIODE	E4	IC400			E-TDA7479AD	ANALOGUE IC	E4
D207			02DZ5.6F-Y	ZENER DIODE	KK1M1	IC400			E-TDA7479AD	ANALOGUE IC	KK1E1
D208-213			D1F60-5063	DIODE		IC450			LB1930M-E	ANALOGUE IC	
D208-213			1SR154-400	DIODE		IC451	*		MMA6261QR2	ANALOGUE IC	KK1M1
D300			DA204U	DIODE	KK2	IC451	*		MMA6261QR2	ANALOGUE IC	K2
D401			IMSA-6801-E	SURGE ABSORBER		IC500	*		RC4580IDR	ANALOGUE IC	E2E3K2
D500			DA204K	DIODE		IC500	*		RC4580IDR	ANALOGUE IC	E4
D501			STZ6.2N	ZENER DIODE		IC500	*		RC4580IDR	ANALOGUE IC	KM1E1
D502			DA204K	DIODE		IC600	*		ICL7660SIBAZ	ANALOGUE IC	E1E3K2
D503			STZ6.2N	ZENER DIODE		IC600	*		ICL7660SIBAZ	ANALOGUE IC	KK1M1
D504			DA204U	DIODE	E2E3K2	IC601-603			NJM4565V-ZB	ANALOGUE IC	E1E3K2
D504			DA204U	DIODE	E4	IC601-603			NJM4565V-ZB	ANALOGUE IC	KK1M1
D504			DA204U	DIODE	KM1E1	IC750			E-TDA7560A	ANALOGUE IC	
D505			DAP202U	DIODE		IC800			RC4580IDR	ANALOGUE IC	
D505			KDS120-P	DIODE		Q10			2SB1565	TRANSISTOR	
D505			MC2846	DIODE		Q11,12			UMC2N	TRANSISTOR	
D506			STZ6.2N	ZENER DIODE		Q20			2SB1565	TRANSISTOR	
D600			UDZS5.6B	ZENER DIODE	E1E3K2	Q21			2SD2351(W)	TRANSISTOR	
D600			UDZS5.6B	ZENER DIODE	KK1M1	Q22			2SA1577	TRANSISTOR	
D601			UDZS11B	ZENER DIODE	E1E3K2	Q23			DTC124EUA	DIGITAL TRANSISTOR	
D601			UDZS11B	ZENER DIODE	KK1M1	Q23			KRC403-P	DIGITAL TRANSISTOR	
D608,609			STZ6.8N	ZENER DIODE		Q23			RT1N241M	DIGITAL TRANSISTOR	
D700-702			STZ6.2N	ZENER DIODE		Q30			2SB1565	TRANSISTOR	
D703,704			STZ6.8N	ZENER DIODE		Q31			2SB1184	TRANSISTOR	
D705,706			STZ6.2N	ZENER DIODE	E1E2E3	Q32,33			2SC4081	TRANSISTOR	
D705,706			STZ6.2N	ZENER DIODE	E4	Q40			2SB1565	TRANSISTOR	

E1 : KDC-W8531 E2 : KDC-W7531Y E3 : KDC-W8531Y E4 : KDC-W7531
K : KDC-X889 K1 : KDC-X789 K2 : KDC-MP828 M1 : KDC-X8529
(E : Europe K : North America M : Other Areas W : Without Europe)

△ Indicates safety critical components.

PARTS LIST

ELECTRIC UNIT (X34-3xxx-xx)

Ref. No.	A d d	N e w	Parts No.	Description	Desti- nation
Q41			2SB1443	TRANSISTOR	
Q42			UMD12N	TRANSISTOR	
Q43			UMC2N	TRANSISTOR	
Q44			2SC4081	TRANSISTOR	
Q45			2SD2351(W)	TRANSISTOR	
Q50		*	2SB1449(R)-E	TRANSISTOR	
Q51			UMC2N	TRANSISTOR	
Q52			2SC4081	TRANSISTOR	
Q60			DTC143TUA	DIGITAL TRANSISTOR	
Q60			KRC410-P	DIGITAL TRANSISTOR	
Q60			RT1N430M	DIGITAL TRANSISTOR	
Q61			UMG2N	TRANSISTOR	
Q62			DTA143TUA	DIGITAL TRANSISTOR	
Q63,64		*	2SJ484-E	FET	
Q80			2SB1188(R)	TRANSISTOR	
Q81			2SC4081	TRANSISTOR	
Q91			2SD2351(W)	TRANSISTOR	
Q100			2SA1576A	TRANSISTOR	
Q101			DTC144EUA	DIGITAL TRANSISTOR	
Q101			KRC404-P	DIGITAL TRANSISTOR	
Q101			RT1N441M	DIGITAL TRANSISTOR	
Q200,201			DTA124EUA	DIGITAL TRANSISTOR	
Q200,201			KRA303-P	DIGITAL TRANSISTOR	
Q200,201			RT1P241M	DIGITAL TRANSISTOR	
Q202			2SC4081	TRANSISTOR	
Q203			2SA1576A	TRANSISTOR	
Q204,205			2SC4081	TRANSISTOR	
Q206			DTA123JK	DIGITAL TRANSISTOR	E1E2E3
Q206			DTA123JK	DIGITAL TRANSISTOR	E4
Q206			DTA123JK	DIGITAL TRANSISTOR	KK1M1
Q207			DTC144EUA	DIGITAL TRANSISTOR	
Q207			KRC404-P	DIGITAL TRANSISTOR	
Q207			RT1N441M	DIGITAL TRANSISTOR	
Q208			2SB1188(Q,R)	TRANSISTOR	KK1M1
Q208			2SB1188(Q,R)	TRANSISTOR	K2
Q209			DTC114YUA	DIGITAL TRANSISTOR	KK1M1
Q209			DTC114YUA	DIGITAL TRANSISTOR	K2
Q209			KRC407-P	DIGITAL TRANSISTOR	KK1M1
Q209			KRC407-P	DIGITAL TRANSISTOR	K2
Q209			RT1N144M	DIGITAL TRANSISTOR	KK1M1
Q209			RT1N144M	DIGITAL TRANSISTOR	K2
Q300			DTA114EUA	DIGITAL TRANSISTOR	KK2
Q300			KRA302-P	DIGITAL TRANSISTOR	KK2
Q300			RT1P141M	DIGITAL TRANSISTOR	KK2
Q402			2SB1689	TRANSISTOR	
Q403			DTC124EUA	DIGITAL TRANSISTOR	
Q403			KRC403-P	DIGITAL TRANSISTOR	
Q403			RT1N241M	DIGITAL TRANSISTOR	
Q450			DTC114YUA	DIGITAL TRANSISTOR	
Q450			KRC407-P	DIGITAL TRANSISTOR	
Q450			RT1N144M	DIGITAL TRANSISTOR	
Q500			2SC4617	TRANSISTOR	E2E3K2
Q500			2SC4617	TRANSISTOR	E4
Q500			2SC4617	TRANSISTOR	KM1E1
Q600			2SC4617	TRANSISTOR	E1E3K2

Ref. No.	A d d	N e w	Parts No.	Description	Desti- nation
Q600			2SC4617	TRANSISTOR	KK1M1
Q601			2SA1774	TRANSISTOR	E1E3K2
Q601			2SA1774	TRANSISTOR	KK1M1
Q602			2SC4617	TRANSISTOR	E1E3K2
Q602			2SC4617	TRANSISTOR	KK1M1
Q603			2SA1576A	TRANSISTOR	E1E3K2
Q603			2SA1576A	TRANSISTOR	KK1M1
Q604			2SC4081	TRANSISTOR	E1E3K2
Q604			2SC4081	TRANSISTOR	KK1M1
Q605			2SA1576A	TRANSISTOR	E1E3K2
Q605			2SA1576A	TRANSISTOR	KK1M1
Q606			2SC4081	TRANSISTOR	E1E3K2
Q606			2SC4081	TRANSISTOR	KK1M1
Q607			2SB1443	TRANSISTOR	E1E3K2
Q607			2SB1443	TRANSISTOR	KK1M1
Q608-613			DTC143TUA	DIGITAL TRANSISTOR	
Q608-613			KRC410-P	DIGITAL TRANSISTOR	
Q608-613			RT1N430M	DIGITAL TRANSISTOR	
Q800			DTA124EUA	DIGITAL TRANSISTOR	
Q800			KRA303-P	DIGITAL TRANSISTOR	
Q800			RT1P241M	DIGITAL TRANSISTOR	
Q801			2SA1774	TRANSISTOR	
Q802			2SC2873-F	TRANSISTOR	
TH750			PRF21BE471QB2	POSITIVE RESISTOR	
A1	2D		X86-3840-11	FRONT-END UNIT	KK1M1
A1	2D		X86-3840-11	FRONT-END UNIT	K2
A1	2D	*	X86-3842-70	FRONT-END UNIT	E1E2E3
A1	2D		X86-3842-71	FRONT-END UNIT	E4
MECHANISM ASSY (X92-5100-00)					
2	1B		A10-4827-32	CHASSIS	
5	1B		D10-4576-83	ARM ASSY	
8	2A		D10-4579-23	LEVER ASSY	
10	2A		D10-4581-13	ARM	
11	2A		D10-4582-13	ARM	
12	3A		D10-4583-03	ARM	
13	3A		D10-4584-03	ARM	
14	3B		D10-4585-03	ARM	
15	2A		D10-4586-13	SLIDER	
16	3B		D10-4587-52	SLIDER	
17	2B		D10-4588-13	SLIDER	
18	2B		D10-4595-04	ARM	
19	2B		D10-4596-24	ARM	
22	2A		D13-2151-04	GEAR	
23	2B		D13-2152-04	GEAR	
24	3B		D13-2153-04	GEAR	
25	3B		D13-2154-04	GEAR	
26	3B		D13-2155-04	WORM	
27	2B		D13-2156-14	GEAR	
28	3B		D13-2157-04	GEAR	
29	2B		D13-2158-04	GEAR	
30	2B		D13-2168-04	GEAR	
31	3B		D13-2171-04	GEAR	
32	1B		D13-2172-13	RACK (GEAR)	
33	2A		D14-0759-04	ROLLER	

E1 : KDC-W8531 E2 : KDC-W7531Y E3 : KDC-W8531Y E4 : KDC-W7531
K : KDC-X889 K1 : KDC-X789 K2 : KDC-MP828 M1 : KDC-X8529

△ Indicates safety critical components.

PARTS LIST

MECHANISM ASSY (X92-5100-00)

Ref. No.	Add	New	Parts No.	Description	Destination	Ref. No.	Add	New	Parts No.	Description	Destination
35	2B		D21-2382-04	SHAFT							
36	1A		D23-0954-04	RETAINER							
37	1B		D39-0246-05	DAMPER							
38	2B		G01-3072-04	EXTENSION SPRING							
39	2A		G01-3073-04	TORSION COIL SPRING							
40	2A		G01-3074-04	EXTENSION SPRING							
41	1B		G01-3075-14	EXTENSION SPRING							
42	2A		G01-3076-04	EXTENSION SPRING							
43	1B		G01-3077-14	EXTENSION SPRING							
44	2B		G02-1399-04	FLAT SPRING							
45	2B		G02-1408-04	FLAT SPRING							
51	1A		J21-9676-32	MOUNTING HARDWARE							
52	3B		J21-9677-22	MOUNTING HARDWARE							
53	1B		J21-9678-13	MOUNTING HARDWARE							
55	1A		J90-1001-11	GUIDE							
56	1B		J90-1023-03	GUIDE							
DFPC1	3A		J84-0141-05	FLEXIBLE PRINTED WIRING BOARD							
A	2B		N09-4460-05	TAPTITE SCREW (OVAL P TAPTIT)							
B	1B		N09-4472-15	MACHINE SCREW (M1.7X8.0)							
C	2B		N09-6004-05	MACHINE SCREW (M1.7X2.5 IB-L)							
E	2B		N09-6007-05	MACHINE SCREW (PAN M2X2)							
F	1A		N09-6051-05	TAPTITE SCREW (BIND P 2X5)							
G	2A		N19-2163-04	FLAT WASHER							
H	1B		N39-2020-46	PAN HEAD MACHINE SCREW							
J	1B		N09-6108-05	MACHINE SCREW (M2*3.5)							
K	3B		N09-6155-05	SEMS (TAPTITE SCREW) (PT2X6)							
DM1	3B		T42-1066-04	DC MOTOR (SPINDLE)							
DM2	2B		T42-1067-04	DC MOTOR (LOADING)							
DPU1	2B		X93-2010-00	OPTICAL PICKUP ASSY							

E1 : KDC-W8531 E2 : KDC-W7531Y E3 : KDC-W8531Y E4 : KDC-W7531
 K : KDC-X889 K1 : KDC-X789 K2 : KDC-MP828 M1 : KDC-X8529
 (E : Europe K : North America M : Other Areas W : Without Europe)

△ Indicates safety critical components.