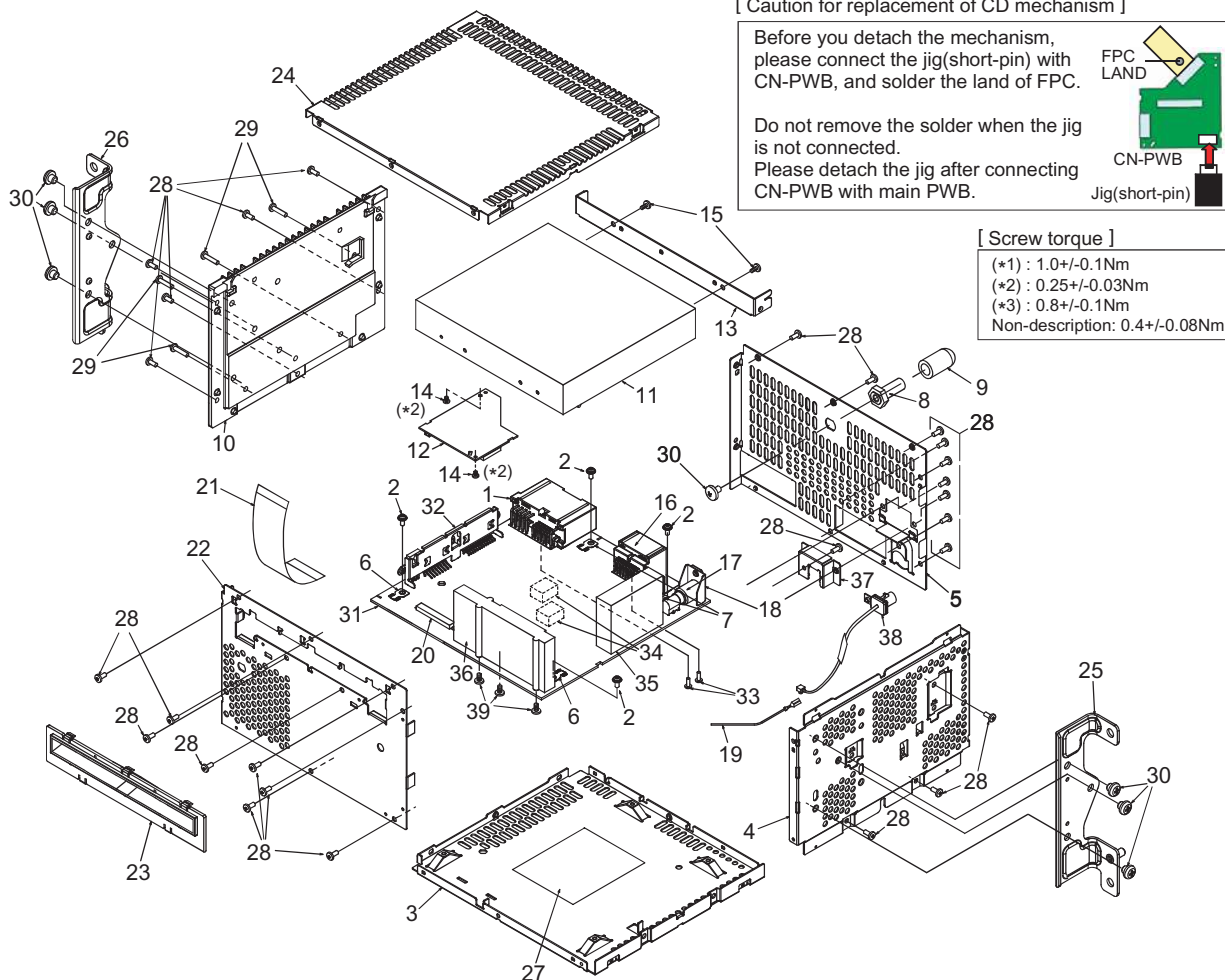


EXPLODED VIEW/PARTS LIST



NO.	PART NO.	DESCRIPTION	QTY
1	074-4032-24	OUTLET SOCKET(24P)	1
2	716-0878-50	SCREW(M2.6x5)	4
3	304-0487-00	LOWER-CVR	1
4	305-0349-10	SIDE-CVR	1
5	307-0728-01	REAR-CVR	1
6	073-0762-90	TERMINAL	2
7	073-0768-90	TERMINAL	2
8	716-3607-00	REAR BOLT	1
9	345-6054-00	RUBBER PART	1
10	313-2020-02	HEAT SINK	1
11	929-5013-80	CD-CHANG-MODULE	1
12	-----	Mech PWB	1
13	331-4431-10	MECH BRKT	1
14	716-1507-01	SCREW(M2x3)	2
15	714-2603-89	SCREW(M2.6x3)	2
16	074-4032-16	OUTLET SOCKET(16P)	1
17	092-2228-60	ANT-RECEPT	1
18	331-4433-00	ANT HOLDER	1
19	840-0544-50	BONDING WIRE	1
20	074-1237-77	PULG(27P)	1

NO.	PART NO.	DESCRIPTION	QTY
21	816-4044-50	FLAT WIRE	1
22	309-0847-02	FRONT PLATE	1
23	335-8124-01	DISC GUIDE	1
24	303-0494-00	UPPER-CVR	1
25	300-8145-01	MTG-BRKT-ASSY (R)	1
26	300-8144-01	MTG-BRKT-ASSY (L)	1
27	276-0647-25	SETPLATE	1
28	714-2606-8B	SCREW(M2.6x6)	26
29	714-2612-8H	SCREW(M2.6x12)	4
30	714-5006-8B	SCREW(M5x6)	7
31	-----	Main PWB	1
32	331-4432-01	IC HOLDER	1
33	716-3617-00	SCREW(M2.5x6)	2
34	345-6066-00	GASKET	2
35	880-2091I	AM/FM TUNER PACK	1
36	941-0223-03	TUNER PACK	1
37	331-4438-00	CONNECTOR BRKT	1
38	855-0617-00	EXTENCION LEAD	1
39	716-3164-00	IT SCREW(M2.5x5)	3

ELECTRICAL PARTS LIST

Main PWB(B1) section

REF No.	PART No.	DESCRIPTION	REF No.	PART No.	DESCRIPTION	REF No.	PART No.	DESCRIPTION
ANT104	092-2228-60	ANT-RECEPT	C256	168-1042-78	16V 0.1uF K	C347	168-3332-78	0.033uF K
BL101	941-0223-03	TUNER PACK	C257	178-1055-79	1uF	C348	168-1045-56	25V 0.1uF Z
BL151	880-2091I	AM/FM TUNER	C258	168-3332-78	0.033uF K	C349	168-1045-56	25V 0.1uF Z
C104	166-1011-50	100pF CH	C259	163-4763-15	6.3V 47uF	C350	166-4711-50	470pF CH
C105	166-1011-50	100pF CH	C260	042-0423-94	10V 4.7uF	C351	166-4711-50	470pF CH
C106	166-1011-50	100pF CH	C261	168-1022-55	1000pF K	C352	168-1042-78	16V 0.1uF K
C111	166-1011-50	100pF CH	C262	168-1042-78	16V 0.1uF K	C353	163-2263-15	6.3V 22uF
C112	166-1011-50	100pF CH	C263	163-1063-35	16V 10uF	C354	168-1042-78	16V 0.1uF K
C113	166-1011-50	100pF CH	C264	168-1052-78	16V 1uF K	C355	168-1042-78	16V 0.1uF K
C114	166-1011-50	100pF CH	C265	166-2211-50	220pF CH	C356	168-4732-78	0.047uF K
C119	166-1011-50	100pF CH	C266	166-2211-50	220pF CH	C357	168-4732-78	0.047uF K
C134	166-1011-50	100pF CH	C267	163-1073-15	6.3V 100uF	C358	168-1045-56	25V 0.1uF Z
C138	168-1042-78	16V 0.1uF K	C268	168-1042-78	16V 0.1uF K	C359	166-1011-50	100pF CH
C141	166-1011-50	100pF CH	C269	168-4732-78	0.047uF K	C360	168-2222-55	2200pF K
C142	166-1011-50	100pF CH	C270	163-2263-15	6.3V 22uF	C361	168-1045-56	25V 0.1uF Z
C143	168-1042-78	16V 0.1uF K	C271	168-1052-78	16V 1uF K	C362	168-1045-56	25V 0.1uF Z
C144	166-1011-50	100pF CH	C272	163-2263-15	6.3V 22uF	C363	166-1007-50	10pF CH
C145	166-1011-50	100pF CH	C273	168-1052-78	16V 1uF K	C364	168-1045-56	25V 0.1uF Z
C146	163-1073-35	16V 100uF	C274	163-4753-55	35V 4.7uF	C365	166-1007-50	10pF CH
C173	166-1511-50	150pF CH	C276	166-2211-50	220pF CH	C366	168-1045-56	25V 0.1uF Z
C174	163-1073-35	16V 100uF	C277	168-1042-78	16V 0.1uF K	C367	168-1045-56	25V 0.1uF Z
C175	166-2201-50	22pF CH	C278	166-2211-50	220pF CH	C368	168-1045-56	25V 0.1uF Z
C176	168-1022-55	1000pF K	C279	168-1052-78	16V 1uF K	C369	168-1045-56	25V 0.1uF Z
C177	168-1022-55	1000pF K	C280	178-1055-79	1uF	C373	168-1045-56	25V 0.1uF Z
C178	168-1022-55	1000pF K	C281	168-2722-55	2700pF K	C375	168-5622-55	5600pF K
C179	168-1022-55	1000pF K	C282	168-2722-55	2700pF K	C378	168-1045-56	25V 0.1uF Z
C180	163-1073-35	16V 100uF	C283	178-1055-79	1uF	C379	163-1073-35	16V 100uF
C181	168-1022-55	1000pF K	C284	178-1055-79	1uF	C380	168-1045-56	25V 0.1uF Z
C182	168-1022-55	1000pF K	C285	168-2722-55	2700pF K	C400	042-1767-90	16V 470uF
C183	168-1022-55	1000pF K	C286	168-2722-55	2700pF K	C401	042-1767-90	16V 470uF
C201	168-1042-78	16V 0.1uF K	C287	178-1055-79	1uF	C402	178-1042-78	0.1uF
C202	168-2232-55	0.022uF K	C288	168-1542-58	0.15uF K	C403	163-1063-35	16V 10uF
C203	168-2232-55	0.022uF K	C289	168-1542-58	0.15uF K	C404	178-1042-78	0.1uF
C204	168-2232-55	0.022uF K	C290	168-3322-55	3300pF K	C405	178-2222-78	2200pF
C206	166-1011-50	100pF CH	C291	168-3322-55	3300pF K	C406	168-1042-78	16V 0.1uF K
C207	168-1042-78	16V 0.1uF K	C292	168-3322-55	3300pF K	C407	163-1063-35	16V 10uF
C209	168-1042-78	16V 0.1uF K	C293	168-3322-55	3300pF K	C408	163-2263-35	16V 22uF
C212	166-1011-50	100pF CH	C294	168-3322-55	3300pF K	C409	168-1042-78	16V 0.1uF K
C214	166-9097-50	9pF +/-0.5pF CH	C295	168-3322-55	3300pF K	C410	168-1042-78	16V 0.1uF K
C215	178-1055-79	1uF	C297	168-1032-55	0.01uF K	C411	178-1042-78	0.1uF
C216	166-4711-50	470pF CH	C300	042-0416-60	25V 10uF M TAN	C412	168-1042-78	16V 0.1uF K
C217	166-9097-50	9pF +/-0.5pF CH	C301	168-1045-56	25V 0.1uF Z	C413	168-1042-78	16V 0.1uF K
C218	166-1811-50	180pF CH	C302	166-6801-50	68pF CH	C414	042-1767-90	16V 470uF
C219	168-1022-55	1000pF K	C303	168-1045-56	25V 0.1uF Z	C415	178-1042-78	0.1uF
C227	168-5622-55	5600pF K	C304	168-1032-55	0.01uF K	C416	178-2222-78	2200pF
C229	168-5622-55	5600pF K	C305	168-1045-56	25V 0.1uF Z	C417	178-2222-78	2200pF
C230	168-1042-78	16V 0.1uF K	C306	163-1053-65	50V 1uF	C418	178-2222-78	2200pF
C231	168-1022-55	1000pF K	C307	168-1032-55	0.01uF K	C419	178-2222-78	2200pF
C232	163-4753-55	35V 4.7uF	C308	168-1045-56	25V 0.1uF Z	C420	178-2222-78	2200pF
C233	168-1042-78	16V 0.1uF K	C312	168-1045-56	25V 0.1uF Z	C421	178-2222-78	2200pF
C234	166-1011-50	100pF CH	C313	168-1532-55	0.015uF K	C422	178-2222-78	2200pF
C235	168-2232-55	0.022uF K	C314	168-1045-56	25V 0.1uF Z	C423	178-2222-78	2200pF
C236	168-1022-55	1000pF K	C315	168-1522-55	1500pF K	C424	178-2222-78	2200pF
C237	168-1042-78	16V 0.1uF K	C316	168-3322-55	3300pF K	C429	168-1022-55	1000pF K
C238	163-3373-15	6.3V 330uF	C317	168-1042-78	16V 0.1uF K	C430	168-1042-78	16V 0.1uF K
C239	168-1042-78	16V 0.1uF K	C318	042-1709-90	6.3V 47uF	C435	168-3332-78	0.033uF K
C240	163-2273-25	10V 220uF	C320	168-1042-78	16V 0.1uF K	C437	178-2222-78	2200pF
C241	168-1042-78	16V 0.1uF K	C321	042-1710-90	6.3V 100uF	C438	178-2222-78	2200pF
C242	168-1042-78	16V 0.1uF K	C322	168-1042-78	16V 0.1uF K	C441	178-2222-78	2200pF
C243	168-1022-55	1000pF K	C326	178-1055-79	1uF	C442	178-2222-78	2200pF
C244	168-2232-55	0.022uF K	C327	178-1055-79	1uF	C443	178-2222-78	2200pF
C245	168-1042-78	16V 0.1uF K	C329	168-1532-55	0.015uF K	C444	176-1011-59	100pF SL
C246	168-1032-55	0.01uF K	C330	042-1709-90	6.3V 47uF	C445	176-1011-59	100pF SL
C247	168-2222-55	2200pF K	C331	168-1042-78	16V 0.1uF K	C446	178-2222-78	2200pF
C248	168-2222-55	2200pF K	C333	042-0560-85	6.3V 100uF	C447	168-1045-56	25V 0.1uF Z
C249	163-4753-55	35V 4.7uF	C334	178-1055-79	1uF	C448	163-2263-15	6.3V 22uF
C250	168-1042-78	16V 0.1uF K	C335	168-3332-78	0.033uF K	C449	178-2222-78	2200pF
C251	168-1042-78	16V 0.1uF K	C336	166-4701-50	47pF CH	C450	178-2222-78	2200pF
C252	163-4753-55	35V 4.7uF	C338	168-1045-56	25V 0.1uF Z	C451	178-2222-78	2200pF
C254	166-1011-50	100pF CH	C339	168-6822-55	6800pF K	C452	178-2222-78	2200pF

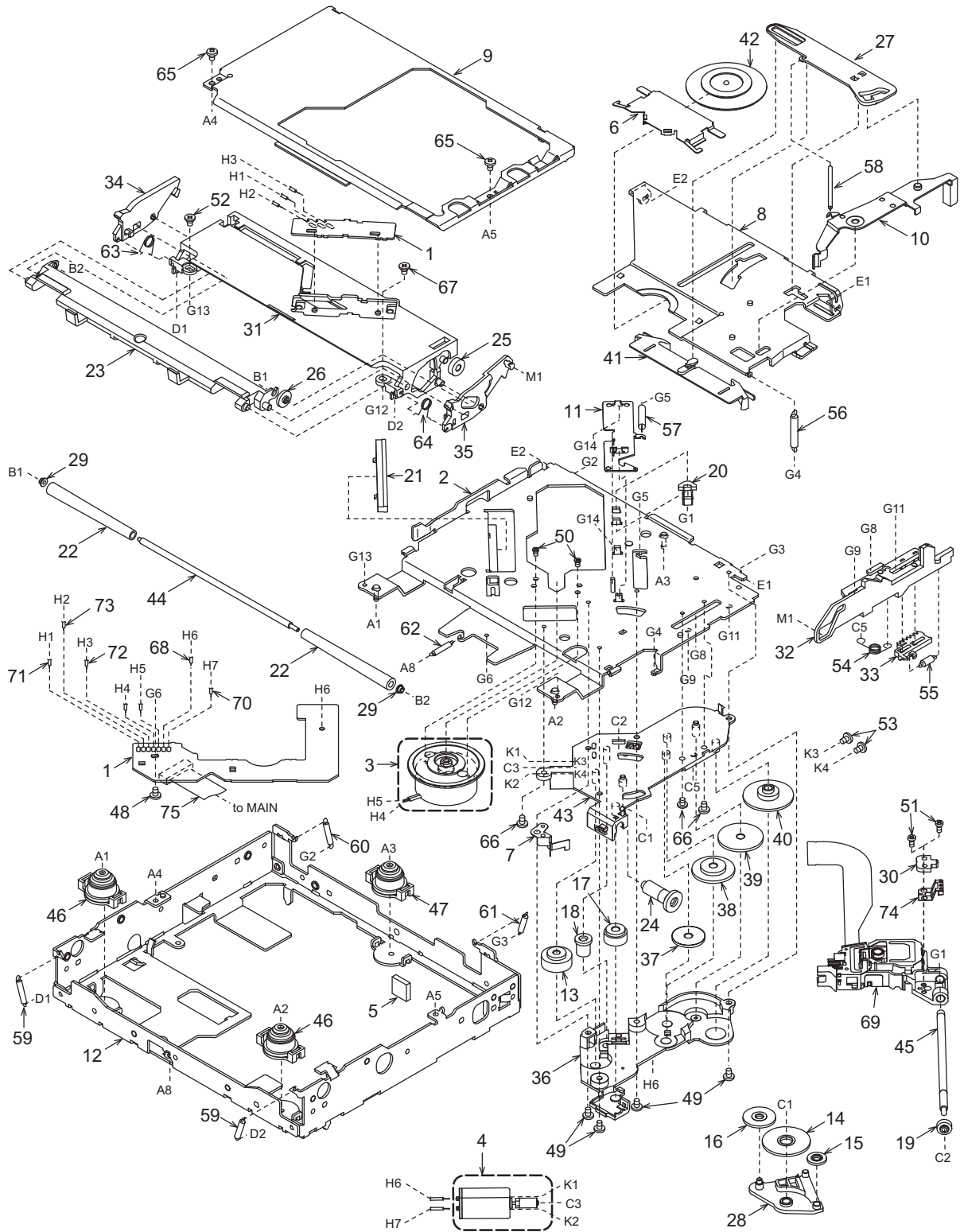
REF No.	PART No.	DESCRIPTION	REF No.	PART No.	DESCRIPTION	REF No.	PART No.	DESCRIPTION
C453	168-1042-78	16V 0.1uF K	D422	001-0516-90	MA111	Q401	192-4081-00	2SC4081
C454	166-1011-50	100pF CH	D423	001-0516-90	MA111	Q407	103-2394-00	2SD2394
C455	168-2245-79	0.22uF Z	D501	001-0529-21	MA8039-H	Q409	125-9026-90	IMF29
C456	168-1042-78	16V 0.1uF K	D502	001-0516-90	MA111	Q411	125-9026-90	IMF29
C457	178-2222-78	2200pF	D505	001-1304-90	DAN202U	Q412	125-9017-92	UMD3N-TR
C458	178-1045-79	0.1uF	D603	001-0516-90	MA111	Q418	125-9017-92	UMD3N-TR
C459	163-2263-35	16V 22uF	D604	001-0535-90	MA729	Q421	190-1576-00	2SA1576A
C460	163-2263-35	16V 22uF	IC201	051-6706-60	SAF7730/N317	Q424	125-2042-90	DTC614TU-T106
C461	168-1042-78	16V 0.1uF K	IC301	051-3543-90	BD33KA5WFP-E2	Q502	125-9017-92	UMD3N-TR
C462	163-2263-35	16V 22uF	IC302	051-3511-90	BH15PB1WHFV-TR	Q504	125-2027-91	DTC114EUA
C463	168-1042-78	16V 0.1uF K	IC303	051-6733-10	TC94A70FG-005	R101	119-4731-15	1/10W 47k ohm
C464	042-0423-97	16V 10uF	IC304	051-3511-90	BH15PB1WHFV-TR	R102	117-1021-15	1/8W 1k ohm
C499	178-2222-78	2200pF	IC305	051-6079-80	BA5830FM-E2	R103	119-4721-15	1/10W 4.7k ohm
C500	168-6842-78	0.68uF K	IC401	051-3510-01	TDA3681	R104	119-1031-15	1/10W 10k ohm
C501	166-5611-50	560pF CH	IC402	051-3402-90	NJM2406F	R105	119-1031-15	1/10W 10k ohm
C502	166-5611-50	560pF CH	IC403	051-3512-90	BH33PB1WHFV	R106	119-1031-15	1/10W 10k ohm
C503	163-3353-65	50V 3.3uF	IC404	051-3344-90	BD3930FP-E2	R107	119-1011-15	1/10W 100 ohm
C505	163-1063-35	16V 10uF	IC405	051-3218-90	TA76431F	R108	119-1011-15	1/10W 100 ohm
C506	166-5611-50	560pF CH	IC407	051-6653-90	TJA1040T/N1	R109	119-1011-15	1/10W 100 ohm
C507	163-1063-35	16V 10uF	IC408	051-5459-90	BD4836G-TR	R110	119-1011-15	1/10W 100 ohm
C508	166-5611-50	560pF CH	IC501	051-2062-00	TDA7563B	R112	119-1031-15	1/10W 10k ohm
C509	163-4763-35	16V 47uF	IC502	051-3019-90	NJM2060V	R113	119-1001-15	1/10W 10 ohm
C510	043-0499-51	50V 0.1uF J	IC505	051-3057-90	BA4558RFV	R114	119-1001-15	1/10W 10 ohm
C511	042-1717-00	16V 3300uF	IC601	051-7108-90	CD4053BPWR	R115	119-1011-15	1/10W 100 ohm
C512	166-5611-50	560pF CH	IC602	-----	uPD70F3351GC-8E A-A	R116	119-0000-05	1/10W 0 ohm JW
C513	166-2201-50	22pF CH	IC603	051-5423-08	S-80929CLMC-G6Z	R117	119-0000-05	1/10W 0 ohm JW
C514	166-2201-50	22pF CH	IC604	-----	BR24L32FV-WE2	R119	119-1011-15	1/10W 100 ohm
C517	166-5611-50	560pF CH	J301	074-1237-77	27P	R120	119-1011-15	1/10W 100 ohm
C519	168-1052-78	16V 1uF K	J401	074-4032-24	24P	R121	119-2741-15	1/10W 270k ohm
C522	168-1052-78	16V 1uF K	J403	074-4032-16	16P	R122	119-0000-05	1/10W 0 ohm JW
C524	168-1052-78	16V 1uF K	J601	076-6000-58	PLUG	R133	119-6821-15	1/10W 6.8k ohm
C525	168-1052-78	16V 1uF K	L113	010-2003-04	30uH	R134	119-6821-15	1/10W 6.8k ohm
C527	168-1052-78	16V 1uF K	L200	010-3105-62	1k ohm/100MHz	R135	119-1011-15	1/10W 100 ohm
C528	166-2201-50	22pF CH	L201	010-3105-62	1k ohm/100MHz	R136	119-1011-15	1/10W 100 ohm
C529	166-2201-50	22pF CH	L202	010-3105-62	1k ohm/100MHz	R137	119-1011-15	1/10W 100 ohm
C530	166-5611-50	560pF CH	L203	010-3105-62	1k ohm/100MHz	R138	119-1011-15	1/10W 100 ohm
C531	166-5611-50	560pF CH	L204	010-3105-62	1k ohm/100MHz	R139	119-1011-15	1/10W 100 ohm
C532	166-5611-50	560pF CH	L205	010-3105-62	1k ohm/100MHz	R140	119-1041-15	1/10W 100k ohm
C537	166-5611-50	560pF CH	L206	010-3105-62	1k ohm/100MHz	R201	119-1031-15	1/10W 10k ohm
C538	163-1063-35	16V 10uF	L207	010-3105-62	1k ohm/100MHz	R205	119-1031-15	1/10W 10k ohm
C539	163-1063-35	16V 10uF	L208	010-3105-62	1k ohm/100MHz	R207	119-1031-15	1/10W 10k ohm
C540	166-5611-50	560pF CH	L209	010-3105-62	1k ohm/100MHz	R208	119-0000-05	1/10W 0 ohm JW
C541	166-5611-50	560pF CH	L210	010-3105-62	1k ohm/100MHz	R209	119-0000-05	1/10W 0 ohm JW
C543	163-2263-15	6.3V 22uF	L211	010-2198-51	0.22uH	R210	119-0000-05	1/10W 0 ohm JW
C550	168-1042-78	16V 0.1uF K	L212	010-3105-62	1k ohm/100MHz	R211	119-1031-15	1/10W 10k ohm
C551	163-2263-35	16V 22uF	L213	010-3105-62	1k ohm/100MHz	R213	119-1011-15	1/10W 100 ohm
C600	166-1801-50	18pF CH	L214	010-3104-54	600 ohm/100MHz	R214	119-1021-15	1/10W 1k ohm
C604	163-4753-55	35V 4.7uF	L215	010-3105-62	1k ohm/100MHz	R217	119-1001-15	1/10W 10 ohm
C605	163-4753-55	35V 4.7uF	L216	010-3105-62	1k ohm/100MHz	R219	119-4731-15	1/10W 47k ohm
C607	168-1042-78	16V 0.1uF K	L217	010-3105-62	1k ohm/100MHz	R220	119-1241-15	1/10W 120k ohm
C608	042-0643-52	6.3V 1000uF	L218	010-3105-62	1k ohm/100MHz	R222	119-4731-15	1/10W 47k ohm
C609	042-0643-52	6.3V 1000uF	L219	010-3105-62	1k ohm/100MHz	R223	119-2201-15	1/10W 22k ohm
C610	178-1055-79	1uF	L220	010-3105-62	1k ohm/100MHz	R224	119-1011-15	1/10W 100 ohm
C611	168-1022-55	1000pF K	L221	010-3105-62	1k ohm/100MHz	R225	119-1011-15	1/10W 100 ohm
C612	168-1042-78	16V 0.1uF K	L222	010-3104-54	600 ohm/100MHz	R226	119-8221-15	1/10W 8.2k ohm
C613	168-1032-55	0.01uF K	L223	010-3105-62	1k ohm/100MHz	R228	119-1041-15	1/10W 100k ohm
C616	168-1042-78	16V 0.1uF K	L301	010-3105-62	1k ohm/100MHz	R229	119-1041-15	1/10W 100k ohm
D101	001-0529-28	MA8051-L	L302	010-3105-62	1k ohm/100MHz	R230	032-0140-99	1/10W 39k ohm F
D103	001-0529-14	MA8030-L	L303	010-3104-50	30 ohm/100MHz	R231	032-0140-99	1/10W 39k ohm F
D301	001-1305-90	DAN217U-T106	L304	010-3406-66	22uH J	R232	032-0140-99	1/10W 39k ohm F
D400	001-0516-90	MA111	L305	010-3105-69	80 ohm/100MHz	R233	032-0140-99	1/10W 39k ohm F
D402	001-0592-00	RM4Z	L401	010-8026-00	210uH	R236	032-0140-95	1/10W 20k ohm F
D403	001-4315-50	MMBZ27VCLT1G	L404	010-3503-90	6.5uH	R237	032-0140-95	1/10W 20k ohm F
D404	001-0516-90	MA111	L601	010-3105-62	1k ohm/100MHz	R238	032-0140-95	1/10W 20k ohm F
D405	001-0516-90	MA111	L602	010-3105-62	1k ohm/100MHz	R239	032-0140-95	1/10W 20k ohm F
D406	001-1304-90	DAN202U	Q101	190-1736-00	2SA1736	R240	119-2031-15	1/10W 20k ohm
D407	001-4315-50	MMBZ27VCLT1G	Q102	125-2027-90	DTC143EU	R241	119-2031-15	1/10W 20k ohm
D408	001-0529-28	MA8051-L	Q103	125-2027-91	DTC114EUA	R243	032-0140-89	1/10W 47k ohm F
D414	001-0516-90	MA111	Q104	125-2027-91	DTC114EUA	R244	119-1041-15	1/10W 100k ohm
D416	001-0516-90	MA111	Q201	125-7007-90	Si5441BDC-TI-E3	R245	119-1001-15	1/10W 10 ohm
D418	001-0529-32	MA8056-M	Q301	131-1188-50	2SB1188 Q,R	R246	032-0140-89	1/10W 47k ohm F
D419	001-4313-52	HZU7CZL	Q400	192-4081-00	2SC4081	R247	032-0140-89	1/10W 47k ohm F
D420	001-0516-90	MA111				R249	119-1041-15	1/10W 100k ohm

REF No.	PART No.	DESCRIPTION	REF No.	PART No.	DESCRIPTION	REF No.	PART No.	DESCRIPTION
R251	032-0140-89	1/10W 47k ohm F	R426	116-1221-15	1/4W 1.2k ohm	R540	119-1001-15	1/10W 10 ohm
R252	032-0140-62	1/10W 1k ohm F	R427	116-1221-15	1/4W 1.2k ohm	R571	119-1011-15	1/10W 100 ohm
R253	032-0140-62	1/10W 1k ohm F	R428	116-1221-15	1/4W 1.2k ohm	R572	119-1011-15	1/10W 100 ohm
R254	032-0140-62	1/10W 1k ohm F	R430	119-1031-15	1/10W 10k ohm	R600	119-0000-05	1/10W 0 ohm JW
R255	032-0140-62	1/10W 1k ohm F	R432	119-2231-15	1/10W 22k ohm	R601	119-6831-15	1/10W 68k ohm
R301	119-2231-15	1/10W 22k ohm	R448	119-0000-05	1/10W 0 ohm JW	R602	119-6831-15	1/10W 68k ohm
R302	119-3321-15	1/10W 3.3k ohm	R449	119-1031-15	1/10W 10k ohm	R603	119-1011-15	1/10W 100 ohm
R303	119-3331-15	1/10W 33k ohm	R451	119-1021-15	1/10W 1k ohm	R604	119-3331-15	1/10W 33k ohm
R305	119-2231-15	1/10W 22k ohm	R456	116-2721-15	1/4W 2.7k ohm	R605	119-3331-15	1/10W 33k ohm
R306	119-4731-15	1/10W 47k ohm	R457	119-2241-15	1/10W 220k ohm	R606	119-3331-15	1/10W 33k ohm
R307	119-3341-15	1/10W 330k ohm	R458	119-1021-15	1/10W 1k ohm	R607	119-3331-15	1/10W 33k ohm
R309	119-2211-15	1/10W 220 ohm	R459	119-2231-15	1/10W 22k ohm	R608	119-3331-15	1/10W 33k ohm
R310	119-1001-15	1/10W 10 ohm	R460	119-1041-15	1/10W 100k ohm	R611	119-4731-15	1/10W 47k ohm
R311	119-5621-15	1/10W 5.6k ohm	R461	119-1031-15	1/10W 10k ohm	R612	119-4731-15	1/10W 47k ohm
R312	119-3321-15	1/10W 3.3k ohm	R463	119-1041-15	1/10W 100k ohm	R615	119-3331-15	1/10W 33k ohm
R313	119-1041-15	1/10W 100k ohm	R464	119-1041-15	1/10W 100k ohm	R616	119-3331-15	1/10W 33k ohm
R315	119-1041-15	1/10W 100k ohm	R465	119-1041-15	1/10W 100k ohm	R617	119-3331-15	1/10W 33k ohm
R316	119-1041-15	1/10W 100k ohm	R466	119-5621-15	1/10W 5.6k ohm	R618	119-3331-15	1/10W 33k ohm
R317	119-2211-15	1/10W 220 ohm	R467	119-1831-15	1/10W 18k ohm	R622	119-1011-15	1/10W 100 ohm
R318	119-1011-15	1/10W 100 ohm	R468	119-1041-15	1/10W 100k ohm	R623	119-1031-15	1/10W 10k ohm
R320	119-1041-15	1/10W 100k ohm	R469	119-1041-15	1/10W 100k ohm	R624	119-1011-15	1/10W 100 ohm
R321	119-4731-15	1/10W 47k ohm	R470	119-1041-15	1/10W 100k ohm	R625	119-1031-15	1/10W 10k ohm
R323	119-1051-15	1/10W 1M ohm	R471	119-1011-15	1/10W 100 ohm	R627	119-3331-15	1/10W 33k ohm
R324	119-2221-15	1/10W 2.2k ohm	R472	119-1231-15	1/10W 12k ohm	R629	119-3331-15	1/10W 33k ohm
R328	119-4731-15	1/10W 47k ohm	R473	119-4721-15	1/10W 4.7k ohm	R630	119-3331-15	1/10W 33k ohm
R331	119-1021-15	1/10W 1k ohm	R475	116-2011-15	1/4W 200 ohm	R631	119-4731-15	1/10W 47k ohm
R332	119-1031-15	1/10W 10k ohm	R476	116-2011-15	1/4W 200 ohm	R635	119-3321-15	1/10W 3.3k ohm
R333	119-1041-15	1/10W 100k ohm	R477	116-2011-15	1/4W 200 ohm	R639	119-1241-15	1/10W 120k ohm
R334	119-2731-15	1/10W 27k ohm	R501	119-4731-15	1/10W 47k ohm	R642	119-1041-15	1/10W 100k ohm
R335	119-2731-15	1/10W 27k ohm	R502	119-4731-15	1/10W 47k ohm	R643	119-1031-15	1/10W 10k ohm
R336	119-4731-15	1/10W 47k ohm	R503	119-8221-15	1/10W 8.2k ohm	R644	119-1241-15	1/10W 120k ohm
R337	119-1531-15	1/10W 15k ohm	R505	119-6821-15	1/10W 6.8k ohm	R646	119-1011-15	1/10W 100 ohm
R338	119-8231-15	1/10W 82k ohm	R507	119-1021-15	1/10W 1k ohm	R647	119-1011-15	1/10W 100 ohm
R339	119-8231-15	1/10W 82k ohm	R508	119-6821-15	1/10W 6.8k ohm	R648	119-3331-15	1/10W 33k ohm
R340	119-2731-15	1/10W 27k ohm	R509	119-1021-15	1/10W 1k ohm	R650	119-3331-15	1/10W 33k ohm
R341	119-2731-15	1/10W 27k ohm	R510	119-6821-15	1/10W 6.8k ohm	R652	119-3331-15	1/10W 33k ohm
R342	117-6811-15	1/8W 680 ohm	R511	119-6821-15	1/10W 6.8k ohm	R653	119-3331-15	1/10W 33k ohm
R400	116-2011-15	1/4W 200 ohm	R512	119-8221-15	1/10W 8.2k ohm	R654	119-3331-15	1/10W 33k ohm
R401	119-1041-15	1/10W 100k ohm	R513	119-4721-15	1/10W 4.7k ohm	R656	119-1031-15	1/10W 10k ohm
R402	119-1031-15	1/10W 10k ohm	R514	119-2231-15	1/10W 22k ohm	R657	119-1031-15	1/10W 10k ohm
R403	119-9121-15	1/10W 9.1k ohm	R515	119-8221-15	1/10W 8.2k ohm	R658	119-1041-15	1/10W 100k ohm
R404	119-1021-15	1/10W 1k ohm	R516	119-8221-15	1/10W 8.2k ohm	R660	032-0148-52	1/10W 24k ohm D
R405	119-1021-15	1/10W 1k ohm	R517	119-3331-15	1/10W 33k ohm	R661	032-0148-52	1/10W 24k ohm D
R406	119-1021-15	1/10W 1k ohm	R518	119-3331-15	1/10W 33k ohm	SUP101	060-0122-91	DSP-141N-S00B
R407	119-1021-15	1/10W 1k ohm	R519	119-3331-15	1/10W 33k ohm	TC601	004-1589-52	TZB4R200AA10R00
R408	119-1041-15	1/10W 100k ohm	R520	119-3331-15	1/10W 33k ohm	TH101	002-0318-21	THERMISTOR
R409	032-0140-56	1/10W 12k ohm F	R521	119-1021-15	1/10W 1k ohm	TM101	073-0762-90	TERMINAL
R410	032-0140-80	1/10W 18k ohm F	R522	119-6821-15	1/10W 6.8k ohm	TM102	073-0768-90	TERMINAL
R411	119-1231-15	1/10W 12k ohm	R523	119-1021-15	1/10W 1k ohm	TM301	073-0762-90	TERMINAL
R412	119-3321-15	1/10W 3.3k ohm	R524	119-6821-15	1/10W 6.8k ohm	TM501	073-0768-90	TERMINAL
R413	116-5691-15	1/4W 5.6 ohm	R525	119-6821-15	1/10W 6.8k ohm	X201	061-3537-90	41.6MHz
R414	119-9121-15	1/10W 9.1k ohm	R526	119-6821-15	1/10W 6.8k ohm	X301	061-3534-90	16.92MHz
R415	119-1031-15	1/10W 10k ohm	R527	119-4731-15	1/10W 47k ohm	X601	061-3561-90	AT-41CD2 3.997696 MHz
R417	119-1031-15	1/10W 10k ohm	R528	119-4731-15	1/10W 47k ohm	PWB	039-3234-00	PWB(WITHOUTCO MPONENT)
R418	117-2721-15	1/8W 2.7k ohm	R529	119-1031-15	1/10W 10k ohm			
R419	119-1521-15	1/10W 1.5k ohm	R530	119-1021-15	1/10W 1k ohm			
R420	119-4721-15	1/10W 4.7k ohm	R532	119-1031-15	1/10W 10k ohm			
R425	116-1221-15	1/4W 1.2k ohm	R537	119-1031-15	1/10W 10k ohm			

CN PWB(B2) section

REF No.	PART No.	DESCRIPTION	REF No.	PART No.	DESCRIPTION	REF No.	PART No.	DESCRIPTION
J201	074-1138-65	SOCKET(15P)	J401	074-1228-77	SOCKET(27P)	PWB	039-3113-01	PWB(WITHOUT COMPONENT)
J301	074-1138-60	SOCKET(10P)	J402	074-1228-54	SOCKET(4P)			

EXPLODED VIEW/PARTS LIST



NO.	PART NO.	DESCRIPTION	Q'TY	NO.	PART NO.	DESCRIPTION	Q'TY
1	-----	SENSOR PWB	1	39	621-1750-20	POWER GEAR C	1
2	966-1743-21	DRIVE-PLT-ASSY	1	40	621-1751-20	POWER GEAR D	1
3	SMA-182-100	SPINDLE MOTOR-ASSY	1	41	621-1752-20	DISC STOPPER	1
4	SMA-197-100	SLED MOTOR-ASSY	1	42	621-1753-20	CLAMPER RING	1
5	345-5476-20	CUSHION RUBBER	1	43	621-1754-20	GEAR BASE	1
6	620-1023-23	CLAMPER PLATE	1	44	622-1571-21	ROLLER SHAFT	1
7	620-1026-21	SPRING PLATE	1	45	624-0020-00	LEAD SCREW	1
8	620-1596-23	CLAMPER LINK	1	46	629-0086-20	DAMPER F	2
9	620-1862-20	UPPER CHASSIS	1	47	629-0087-20	DAMPER R	1
10	620-1752-20	SENSOR ARM	1	48	716-1507-01	SCREW(M2x3)	1
11	620-1753-20	ID-LOCK PLATE	1	49	716-1670-01	SCREW(M2x4)	4
12	620-1791-20	LOWER CHASSIS-B	1	50	716-1733-01	SCREW(M1.7x2.3)	2
13	621-0608-21	SECOND GEAR	1	51	716-3469-01	SCREW(1.7x4)	2
14	621-0609-20	BASE GEAR	1	52	716-3473-01	SCREW(M2x3)	1
15	621-0610-20	IDLE GEAR A	1	53	716-3551-00	SCREW(M1.4x2.5)	2
16	621-0611-20	IDLE GEAR B	1	54	750-7865-20	SHIFT SPRING	1
17	621-0612-21	ROLLER GEAR A	1	55	750-7866-20	RACK SPRING	1
18	621-0620-20	THREAD GEAR A	1	56	750-7867-20	CLAMPER SPRING	1
19	621-0621-20	THREAD GEAR B	1	57	750-7868-20	ID-LOCK SPRING	1
20	621-0623-23	LS-HOLDER	1	58	750-7869-20	SENSOR SPRING	1
21	621-0624-22	GUIDE RAIL	1	59	750-7870-20	DR-SPRING F	2
22	621-0711-21	LOADING ROLLER	2	60	750-7871-20	DR-SPRING RA	1
23	621-0718-21	ROLLER GUIDE	1	61	750-7872-20	DR-SPRING RB	1
24	621-0719-20	ROLLER GEAR	1	62	750-7873-20	DR-SPRING C	1
25	621-0720-20	ROLLER GEAR C	1	63	750-6797-20	ROLLER SPRING L	1
26	621-0721-20	ROLLER GEAR D	1	64	750-6798-20	ROLLER SPRING R	1
27	621-0728-20	STOPPER LINK	1	65	714-2003-8B	SCREW(M2x3)	2
28	621-1719-20	IDLE CASE	1	66	780-2025-00	SCREW(M2x2.5)	3
29	621-1726-20	ROLLER SLEEVE	2	67	781-1730-00	SCREW(M1.7x3)	1
30	621-1729-20	SH-BASE	1	68	803-4906-60	VINYL-COAT-WIRE(ORG)	1
31	621-1742-20	UPPER GUIDE	1	69	969-0071-30	PICKUP-ASSY	1
32	621-1743-20	SHIFT LEVER	1	70	816-2590-00	LEAD(GRN)	1
33	621-1744-20	RACK	1	71	816-2591-00	LEAD(YEL)	1
34	621-1745-20	LOCK ARM L	1	72	816-2592-00	LEAD(BLUE)	1
35	621-1746-20	LOCK ARM R	1	73	816-2593-00	LEAD(PUR)	1
36	621-1747-20	GEAR COVER	1	74	966-1722-20	SH-RACK-ASSY	1
37	621-1748-20	POWER GEAR A	1	75	816-2542-01	FLAT WIRE	1
38	621-1749-20	POWER GEAR B	1				

ELECTRICAL PARTS LIST

Sensor PWB(BM1) section

REF No.	PART No.	DESCRIPTION	REF No.	PART No.	DESCRIPTION	REF No.	PART No.	DESCRIPTION
D1	001-7058-90	AN1105W-RR	Q1	060-4015-91	PS1192HB	S2	013-7413-50	LIMIT
D2	001-7058-90	AN1105W-RR	Q2	060-4015-91	PS1192HB	PWB	039-2675-20	PWB(WITHOUT COMPONENT)
J1	074-1138-60	10P	S1	013-7414-50	CHUCKING			