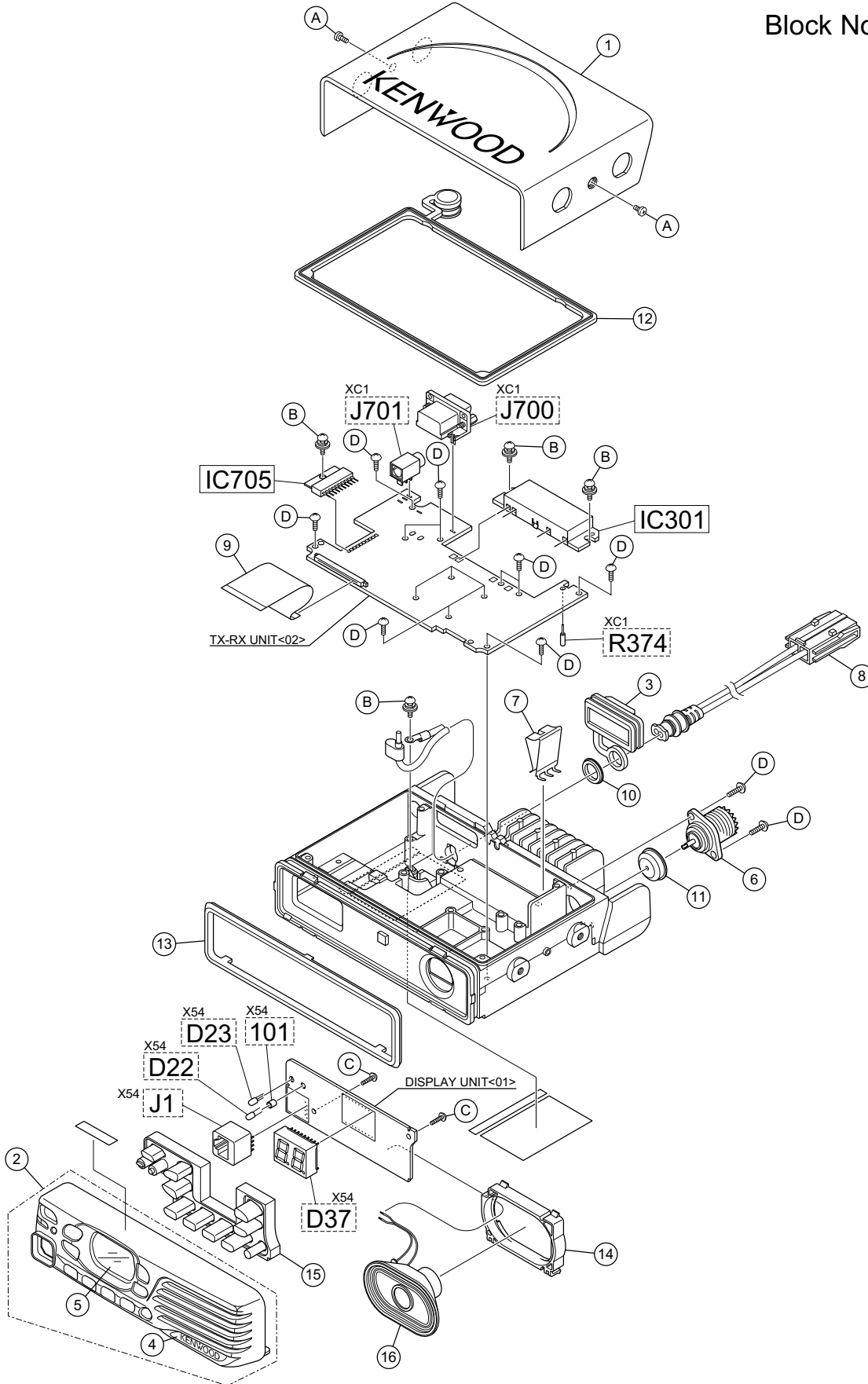


Exploded view of general assembly and parts list

Block No.M1MM



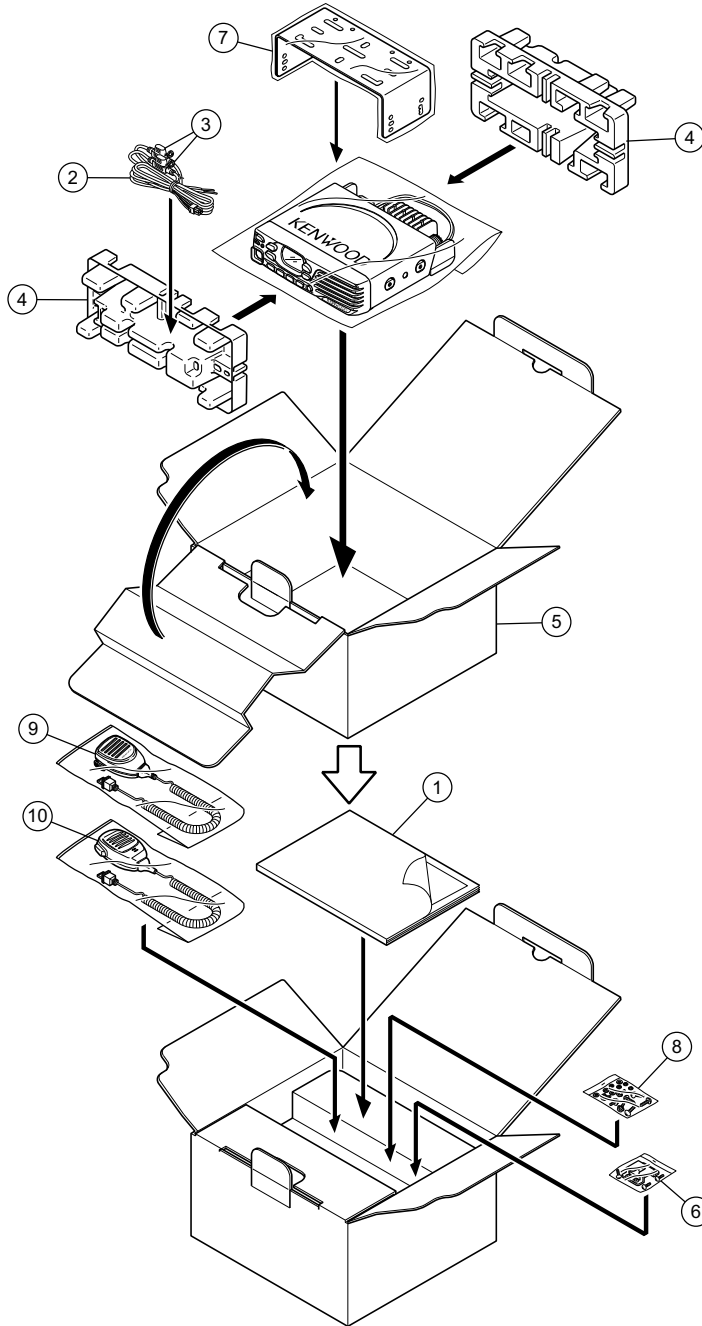
General assembly

Block No. [M][1][M][M]

△ Symbol No.	Part No.	Part Name	Description	Local
1	A02-4073-21	PLASTIC CABINET		
2	A6A-0004-00	PANEL ASSY		
3	B09-0732-03	CAP(D-SUB)		
4	B4D-0003-00	BADGE		
5	B10-2794-03	FRONT GLASS		
6	E04-0167-15	RF COAXIAL RECEPTACLE(M)		
7	E23-1346-04	GROUND TERMINAL		
8	E30-7684-25	DC CORD		
9	E37-1461-05	FLAT CABLE(30P PANEL)		
10	G53-1643-04	PACKING(DC CORD)		
11	G53-1662-04	PACKING(RECEPTACLE)		
12	G53-1819-21	PACKING(CHASSIS)		
13	G53-1820-03	PACKING(PANEL)		
14	J19-5528-03	HOLDER(SPEAKER)		
15	K29-9448-01	KEY TOP		
16	T07-0785-15	SPEAKER		
A	N35-2604-43	BINDING HEAD MACHINE SCREW	(x2)	
B	N67-3008-48	PAN HEAD SEMS SCREW	(x4)	
C	N80-2008-48	PAN HEAD TAPTITE SCREW	(x2)	
D	N87-2608-48	BRAZIER HEAD TAPTITE SCREW	(x14)	
-	XC2-0010-10	SERVICE TX-RX UNIT		HK
-	XC2-0010-11	SERVICE TX-RX UNIT		HVK
-	XC2-0010-21	SERVICE TX-RX UNIT		M

Packing materials and accessories parts list

Block No.M2MM



Packing and accessories

Block No. [M][2][M][M]
Local

Symbol No.	Part No.	Part Name	Description	Local
1	B5A-0031-10	INSTRUCTION MANUAL		HK,HVK
1	B5A-0030-10	INSTRUCTION MANUAL		M
2	E30-7523-55	DC CORD ASSY ACCESSORY		
3	F52-0024-05	FUSE(BLADE TYPE)15A ACCESSORY	(x2)	HK,HVK
3	F52-0023-05	FUSE(BLADE TYPE)10A ACCESSORY	(x2)	M
4	H12-3178-05	PACKING FIXTURE	(x2)	
5	H52-2674-02	ITEM CARTON CASE		
6	J19-1584-15	HOLDER(MIC HANGER)		HK,HVK
7	J29-0726-03	BRACKET ACCESSORY		
8	N99-2039-05	SCREW SET		
9	T91-0624-65	MICROPHONE(KMC-30)ACCESSORY		HK
10	T91-0639-65	MICROPHONE(KMC-35)ACCESSORY		HVK

Electrical parts list

DISPLAY UNIT

X54-3890-20

Block No. [0][1]

△ Symbol No.	Part No.	Part Name	Description	Local
IC1	TC62D748CFNAG	MOS-IC		
Q1	LTC044EEBFS8	TRANSISTOR		
Q2	LTC044EEBFS8	TRANSISTOR		
Q3	KRA225S	TRANSISTOR		
Q4	KRC102S-P	TRANSISTOR		
Q5	2SC3928A	TRANSISTOR		
Q6	2SC3928A	TRANSISTOR		
Q7	LTA014EEBFS8	TRANSISTOR		
Q8	LTA014EEBFS8	TRANSISTOR		
Q9	2SC3928A	TRANSISTOR		
D1	B30-2337-05	LED	(YELLOW)	
D2	B30-2337-05	LED	(YELLOW)	
D3	B30-2337-05	LED	(YELLOW)	
D4	B30-2337-05	LED	(YELLOW)	
D5	B30-2337-05	LED	(YELLOW)	
D20	DA221	DIODE		
D22	B30-2321-05	LED	(BLUE LED)	
D23	B30-2151-05	LED	(RED/GREEN)	
D33	DZ2J062(M)	ZENER DIODE		
D37	HDSP-521A	LED		
C1	CK73HB1E103K	C CAPACITOR	0.010UF K	
C8	CC73HCH1H101J	C CAPACITOR	100PF J	
C9	CK73HB1H102K	C CAPACITOR	1000PF K	
C10	CK73HB1E103K	C CAPACITOR	0.010UF K	
C16	CK73HB1E103K	C CAPACITOR	0.010UF K	
C27	CC73HCH1H101J	C CAPACITOR	100PF J	
C29	CK73HB1H102K	C CAPACITOR	1000PF K	
C30	CK73HB1H102K	C CAPACITOR	1000PF K	
C31	CK73HB1H102K	C CAPACITOR	1000PF K	
C32	CK73HB1H102K	C CAPACITOR	1000PF K	
C33	CK73HB1H102K	C CAPACITOR	1000PF K	
C34	CK73HB1H102K	C CAPACITOR	1000PF K	
C35	CK73HB1H102K	C CAPACITOR	1000PF K	
C36	CK73HB1H102K	C CAPACITOR	1000PF K	
C38	CC73HCH1H101J	C CAPACITOR	100PF J	
C39	CC73HCH1H101J	C CAPACITOR	100PF J	
C40	CK73HB1H102K	C CAPACITOR	1000PF K	
C41	CC73HCH1H101J	C CAPACITOR	100PF J	
C42	CC73HCH1H101J	C CAPACITOR	100PF J	
C43	CK73HB1H471K	C CAPACITOR	470PF K	
C44	CK73HB1H471K	C CAPACITOR	470PF K	
C45	CK73HB1H471K	C CAPACITOR	470PF K	
C46	CK73HB1H471K	C CAPACITOR	470PF K	
C47	CK73HB1H102K	C CAPACITOR	1000PF K	
R1	RK73HB1J101J	MG RESISTOR	100 J 1/16W	
R2	RK73FB2B000J	MG RESISTOR	0.0 J 1/8W	
R3	RK73HB1J102J	MG RESISTOR	1.0K J 1/16W	
R4	RK73HB1J102J	MG RESISTOR	1.0K J 1/16W	
R5	RK73HB1J102J	MG RESISTOR	1.0K J 1/16W	
R6	RK73HB1J102J	MG RESISTOR	1.0K J 1/16W	
R7	RK73HB1J102J	MG RESISTOR	1.0K J 1/16W	
R8	RK73HB1J102J	MG RESISTOR	1.0K J 1/16W	
R10	RK73HB1J562J	MG RESISTOR	5.6K J 1/16W	
R11	RK73HB1J562J	MG RESISTOR	5.6K J 1/16W	
R12	RK73HB1J682J	MG RESISTOR	6.8K J 1/16W	
R21	RK73HB1J222J	MG RESISTOR	2.2K J 1/16W	
R22	RK73HB1J820J	MG RESISTOR	82 J 1/16W	
R23	RK73HB1J121J	MG RESISTOR	120 J 1/16W	
R26	RK73HB1J000J	MG RESISTOR	0.0 J 1/16W	
R27	RK73HB1J000J	MG RESISTOR	0.0 J 1/16W	
R28	RK73HB1J103J	MG RESISTOR	10K J 1/16W	
R29	RK73HB1J103J	MG RESISTOR	10K J 1/16W	
R34	RK73HB1J102J	MG RESISTOR	1.0K J 1/16W	
R35	RK73HB1J123J	MG RESISTOR	12K J 1/16W	
R36	RK73HB1J472J	MG RESISTOR	4.7K J 1/16W	
R37	RK73HB1J100J	MG RESISTOR	10 J 1/16W	

△ Symbol No.	Part No.	Part Name	Description	Local
R38	RK73HB1J100J	MG RESISTOR	10 J 1/16W	
R39	RK73HB1J150J	MG RESISTOR	15 J 1/16W	
R40	RK73HB1J100J	MG RESISTOR	10 J 1/16W	
R41	RK73HB1J222J	MG RESISTOR	2.2K J 1/16W	
R42	RK73HB1J102J	MG RESISTOR	1.0K J 1/16W	
L1	L92-0138-05	CHIP FERRITE		
101	J31-0565-15	COLLAR		
CN1	E40-6851-05	FLAT CABLE CONNECTOR		
CN2	E23-1262-05	TERMINAL		
CP1	RK74HB1J102J	NET RESISTOR	1.0K J 1/16W	
J1	J1	MODULAR JACK		

TX-RX UNIT

XC1-0010-10 (NX-740H(K), NX-740H(V)(K))

XC1-0010-21 (NX-740(M))

Block No. [0][2]

△ Symbol No.	Part No.	Part Name	Description	Local
IC2	AK1541	MOS-IC		
IC3	BD7542FVM	MOS-IC		
IC300	RA60H1317M1A	MOS-IC	(POWER MODULE)	
IC301	HA17358BFEL-E	MOS-IC		
IC500	BU7465HFV	MOS-IC		
IC501	AK2365A	FM-IC		
IC502	XC6209B332M-G	MOS-IC		
IC503	HA17358BFEL-E	MOS-IC		
IC700	TC7WBD125AFK	MOS-IC		
IC701	TC7WH126FU-F	MOS-IC		
IC702	PCA9555AHF	MOS-IC		
IC703	TC7WT126FU-F	MOS-IC		
IC704	ADM202EARNZ	MOS-IC		
IC705	TC7SET08FU-F	MOS-IC		
IC706	NJM2100V-ZB	BI-POLAR IC		
IC709	CMX7141	MOS-IC		
IC710	XC6221B332N-G	MOS-IC		
IC713	SM5023CNDH-G	MOS-IC		
IC714	2F4052GT6KFKA	MCU		
IC715	AK2331	MOS-IC		
IC716	M95512-RDW6TP	ROM IC		
IC717	TA4809BF	ANALOGUE IC		
IC718	MM1856A33N	BI-POLAR IC		
IC719	LA4600	BI-POLAR IC		
IC720	XC6221B332N-G	MOS-IC		
IC721	TA7805F-NQ	MOS-IC		
IC722	BD4740G	MOS-IC		
IC723	XC6120N302N-G	MOS-IC		
IC724	TC7WT126FU-F	MOS-IC		
IC725	TC7WH126FU-F	MOS-IC		
IC726	XC6221B332N-G	MOS-IC		
Q2	2SC5636	TRANSISTOR		
Q3	SSM3J05FU-F	FET		
Q4	2SK1824-A	FET		
Q5	MCH3914(7)-H	FET		
Q6	SSM3J15FS	FET		
Q7	MCH3914(7)-H	FET		
Q9	KRX102U	TRANSISTOR		
Q10	KTC4075E(Y,GR)	TRANSISTOR		
Q11	2SC5108(Y)F	TRANSISTOR		
Q12	2SC5108(Y)F	TRANSISTOR		
Q300	RD00HVS1-T113	FET		
Q500	KTC4080E-P	TRANSISTOR		
Q501	KTC4075E(Y,GR)	TRANSISTOR		
Q502	2SC2412K	TRANSISTOR		
Q503	3SK318	FET		
Q504	KTC4075E(Y,GR)	TRANSISTOR		
Q505	LTC014EEBFS8	TRANSISTOR		

△ Symbol No.	Part No.	Part Name	Description	Local	△ Symbol No.	Part No.	Part Name	Description	Local
Q506	3SK318	FET			C13	CC73HCH1H101J	C CAPACITOR	100PF J	
Q700	2SK1824-A	FET			C14	CK73HB1H271K	C CAPACITOR	270PF K	
Q701	2SC4919-S	TRANSISTOR			C15	CK73HB1H103K	C CAPACITOR	0.010UF K	
Q702	LTC014TEBFS8	TRANSISTOR			C16	CK73HB1E103K	C CAPACITOR	0.010UF K	
Q703	2SJ645	FET			C17	CC73HCH1H100B	C CAPACITOR	10PF B	
Q704	KTC4075E(Y,GR)	TRANSISTOR			C18	CK73HB1A104K	C CAPACITOR	0.10UF K	
Q705	SSM3J05FU-F	FET			C19	CC73HCH1H101J	C CAPACITOR	100PF J	
Q706	LTC044TUBFS8	TRANSISTOR			C21	CK73HB1A473K	C CAPACITOR	0.047UF K	
Q707	LTC014EEBFS8	TRANSISTOR			C22	CK73HB1E103K	C CAPACITOR	0.010UF K	
Q708	LTC014EEBFS8	TRANSISTOR			C23	CC73HCH1H100B	C CAPACITOR	10PF B	
Q709	2SB1694	TRANSISTOR			C24	CK73HB1E103K	C CAPACITOR	0.010UF K	
Q710	2SB1694	TRANSISTOR			C25	CK73HB1E103K	C CAPACITOR	0.010UF K	
Q711	LTC014EEBFS8	TRANSISTOR			C26	CC73HCH1H101J	C CAPACITOR	100PF J	
Q712	KTC4075E(Y,GR)	TRANSISTOR			C27	CC73HCH1H101J	C CAPACITOR	100PF J	
Q713	LTC044EEBFS8	TRANSISTOR			C28	CK73HB1A224K	C CAPACITOR	0.22UF K	
Q714	SSM3K05FU	FET			C29	CK73HB1A224K	C CAPACITOR	0.22UF K	
Q715	SSM3K05FU	FET			C31	CK73HB1H271K	C CAPACITOR	270PF K	
Q716	SSM3J05FU-F	FET			C32	CK73HB1E103K	C CAPACITOR	0.010UF K	
Q717	SSM3J05FU-F	FET			C34	CS77MA1D1R5M	TA E CAPACITOR	1.5UF 20WV	
Q718	KTC4075E(Y,GR)	TRANSISTOR			C35	CK73HB1H102K	C CAPACITOR	1000PF K	
Q719	2SJ645	FET			C36	CS77MA1V0R1M	TA E CAPACITOR	0.1UF 35WV	
Q720	LTC014EEBFS8	TRANSISTOR			C38	CK73HB1H471K	C CAPACITOR	470PF K	
Q721	SSM3J05FU-F	FET			C46	CK73HB1H471K	C CAPACITOR	470PF K	
Q722	LTC014EEBFS8	TRANSISTOR			C48	CK73HB1H471K	C CAPACITOR	470PF K	
Q723	LTC014EEBFS8	TRANSISTOR			C49	CC73HCH1H220J	C CAPACITOR	22PF J	
D5	HVC376B	VARIABLE CAPACITANCE DIODE			C50	CK73HB1H471K	C CAPACITOR	470PF K	
D6	HVC376B	VARIABLE CAPACITANCE DIODE			C51	CC73HCH1H200J	C CAPACITOR	20PF J	
D7	HVC376B	VARIABLE CAPACITANCE DIODE			C52	CC73HCH1H470J	C CAPACITOR	47PF J	
D8	HVC376B	VARIABLE CAPACITANCE DIODE			C53	CC73HCH1H330J	C CAPACITOR	33PF J	
D9	1SV325F	VARIABLE CAPACITANCE DIODE			C58	CK73HB1H102K	C CAPACITOR	1000PF K	
D10	1SV325F	VARIABLE CAPACITANCE DIODE			C60	CK73HB1H102K	C CAPACITOR	1000PF K	
D11	1SV325F	VARIABLE CAPACITANCE DIODE			C61	CK73HB1H102K	C CAPACITOR	1000PF K	
D12	1SV325F	VARIABLE CAPACITANCE DIODE			C63	C93-0787-05	C CAPACITOR	0.1UF J	
D13	1SV325F	VARIABLE CAPACITANCE DIODE			C64	CK73HB1A104K	C CAPACITOR	0.10UF K	
D14	1SV325F	VARIABLE CAPACITANCE DIODE			C67	CC73HCH1H470J	C CAPACITOR	47PF J	
D15	1SV278F	VARIABLE CAPACITANCE DIODE			C69	CC73HCH1H101J	C CAPACITOR	100PF J	
D16	RN142S	DIODE			C70	CK73HB1H102K	C CAPACITOR	1000PF K	
D17	RN142S	DIODE			C73	CK73HB1H102K	C CAPACITOR	1000PF K	
D300	UDZW5.1(B)	ZENER DIODE			C74	CK73FB0J106K	C CAPACITOR	10UF K	
D301	1SS355	DIODE			C75	CC73HCH1H101J	C CAPACITOR	100PF J	
D304	HSC277	DIODE			C78	CC73HCH1H101J	C CAPACITOR	100PF J	
D305	L407CDB	DIODE	(50V/1W)		C79	CC73HCH1HR75B	C CAPACITOR	0.75PF B	
D306	L407CDB	DIODE	(50V/1W)		C80	CC73HCH1H470J	C CAPACITOR	47PF J	
D307	RB706F-40	DIODE			C82	CK73GB1H102K	C CAPACITOR	1000PF K	
D308	RB706F-40	DIODE			C83	CK73GB1H102K	C CAPACITOR	1000PF K	
D309	RKP350KV	DIODE			C84	CK73HB1H102K	C CAPACITOR	1000PF K	
D310	RKP350KV	DIODE			C85	CK73HB1H102K	C CAPACITOR	1000PF K	
D500	RB706F-40	DIODE			C86	CC73HCH1H040B	C CAPACITOR	4.0PF B	
D502	1SV305F	VARIABLE CAPACITANCE DIODE			C87	CK73GB1H102K	C CAPACITOR	1000PF K	
D503	1SV305F	VARIABLE CAPACITANCE DIODE			C88	CC73HCH1H040B	C CAPACITOR	4.0PF B	
D504	1SV305F	VARIABLE CAPACITANCE DIODE			C89	CC73HCH1H060B	C CAPACITOR	6.0PF B	
D505	1SV305F	VARIABLE CAPACITANCE DIODE			C90	CK73GB1H102K	C CAPACITOR	1000PF K	
D700	DA221	DIODE			C91	CC73HCH1H080B	C CAPACITOR	8.0PF B	
D701	DA221	DIODE			C92	CC73HCH1H4R5B	C CAPACITOR	4.5PF B	
D702	DA221	DIODE			C93	CC73HCH1H060B	C CAPACITOR	6.0PF B	
D704	DA221	DIODE			C94	CK73HB1H471K	C CAPACITOR	470PF K	
D705	DA221	DIODE			C95	CC73HCH1H010B	C CAPACITOR	1.0PF B	
D706	DA221	DIODE			C96	CC73HCH1H010B	C CAPACITOR	1.0PF B	
D707	DA221	DIODE			C97	CS77BB21C100M	TA E CAPACITOR	10UF 16WV	
D708	DA221	DIODE			C98	CK73HB1H471K	C CAPACITOR	470PF K	
D709	DA221	DIODE			C99	CK73HB1H102K	C CAPACITOR	1000PF K	
D710	DA221	DIODE			C100	CK73HB1H102K	C CAPACITOR	1000PF K	
D711	DA221	DIODE			C101	CC73HCH1H180J	C CAPACITOR	18PF J	
D712	MC2858-T111	DIODE			C102	CC73HCH1H050B	C CAPACITOR	5.0PF B	
D713	1SS372F	DIODE			C103	CC73GCH1H050B	C CAPACITOR	5.0PF B	
D714	DB2S310	DIODE			C104	CK73HB1H102K	C CAPACITOR	1000PF K	
D715	DB2S310	DIODE			C105	CK73HB1H102K	C CAPACITOR	1000PF K	
D717	UDZW18(B)	ZENER DIODE			C106	CK73HB1H102K	C CAPACITOR	1000PF K	
D718	RB521S-30-TP	DIODE			C107	CC73HCH1H120J	C CAPACITOR	12PF J	
D719	Z5W27V	SURGE ABSORBER			C108	CC73GCH1H180J	C CAPACITOR	18PF J	
D720	DB2S310	DIODE			C300	CK73HB1H102K	C CAPACITOR	1000PF K	
D721	DB2S310	DIODE			C301	CC73GCH1H151J	C CAPACITOR	150PF J	
C7	CC73HCH1H101J	C CAPACITOR	100PF J		C302	CC73HCH1H080B	C CAPACITOR	8.0PF B	
C9	CK73HB1E103K	C CAPACITOR	0.010UF K		C303	CC73HCH1H070B	C CAPACITOR	7.0PF B	
C10	CC73HCH1H101J	C CAPACITOR	100PF J		C304	CC73HCH1H120J	C CAPACITOR	12PF J	
C12	CC73HCH1H101J	C CAPACITOR	100PF J		C305	CK73HB1H102K	C CAPACITOR	1000PF K	
					C306	CK73HB1H471K	C CAPACITOR	470PF K	
					C309	CC73HCH1H130J	C CAPACITOR	13PF J	

△ Symbol No.	Part No.	Part Name	Description	Local	△ Symbol No.	Part No.	Part Name	Description	Local
C310	CK73HB1H102K	C CAPACITOR	1000PF K		C530	CK73HB1A224K	C CAPACITOR	0.22UF K	
C311	CC73HCH1H2R5B	C CAPACITOR	2.5PF B		C531	CK73GB0J106K	C CAPACITOR	10UF K	
C312	CK73HB1E223K	C CAPACITOR	0.022UF K		C532	CK73HB1A104K	C CAPACITOR	0.10UF K	
C313	CC73GCH1H151J	C CAPACITOR	150PF J		C534	CK73HB1A105K	C CAPACITOR	1.0UF K	
C314	CS77BA1C4R7M	TA E CAPACITOR	4.7UF 16WV		C535	CK73HB1A105K	C CAPACITOR	1.0UF K	
C315	CK73GB1H102K	C CAPACITOR	1000PF K		C536	CK73GB1A105K	C CAPACITOR	1.0UF K	
C320	CK73HB1H471K	C CAPACITOR	470PF K		C539	CK73HB1E103K	C CAPACITOR	0.010UF K	
C323	CK73GB1H221K	C CAPACITOR	220PF K		C540	CK73HB0J225K	C CAPACITOR	2.2UF K	
C324	CC73HCH1H101J	C CAPACITOR	100PF J		C541	CC73HCH1H020B	C CAPACITOR	2.0PF B	
C325	CC73GCH1H220J	C CAPACITOR	22PF J		C542	CK73HB1A104K	C CAPACITOR	0.10UF K	
C326	CK73GB1H102K	C CAPACITOR	1000PF K		C543	CC73HCH1H100C	C CAPACITOR	10PF C	
C327	CC73GCH1H101J	C CAPACITOR	100PF J		C544	CK73HB1A224K	C CAPACITOR	0.22UF K	
C328	CC73GCH1H101J	C CAPACITOR	100PF J		C545	CC73HCH1H020B	C CAPACITOR	2.0PF B	
C329	CK73HB1A104K	C CAPACITOR	0.10UF K		C546	CK73HB1A474K	C CAPACITOR	0.47UF K	
C330	CK73GB1H102K	C CAPACITOR	1000PF K		C547	CK73HB1H102K	C CAPACITOR	1000PF K	
C333	CK73GB1H471K	C CAPACITOR	470PF K		C548	CK73HB1E103K	C CAPACITOR	0.010UF K	
C334	CC73GCH1H470J	C CAPACITOR	47PF J		C549	CK73HB1A104K	C CAPACITOR	0.10UF K	
C335	CC73GCH1H220J	C CAPACITOR	22PF J		C550	CK73HB1E103K	C CAPACITOR	0.010UF K	
C336	C93-0559-05	C CAPACITOR	9.0PF D		C551	CK73HB1H102K	C CAPACITOR	1000PF K	
C339	CK73HB1A104K	C CAPACITOR	0.10UF K		C552	CC73HCH1H150G	C CAPACITOR	15PF G	
C340	CK73GB1H102K	C CAPACITOR	1000PF K		C553	CK73HB1E103K	C CAPACITOR	0.010UF K	
C343	CK73HB1H102K	C CAPACITOR	1000PF K		C555	CK73HB1H102K	C CAPACITOR	1000PF K	
C344	CK73GB1H102K	C CAPACITOR	1000PF K		C556	CK73HB0J224K	C CAPACITOR	0.22UF K	
C346	CK73GB1H103K	C CAPACITOR	0.010UF K		C557	CK73GB1H471K	C CAPACITOR	470PF K	
C347	CK73HB1H102K	C CAPACITOR	1000PF K		C558	CK73HB1H102K	C CAPACITOR	1000PF K	
C348	CK73HB1H102K	C CAPACITOR	1000PF K		C559	CK73HB1E103K	C CAPACITOR	0.010UF K	
C349	CK73GB1H103K	C CAPACITOR	0.010UF K		C560	CK73HB1H102K	C CAPACITOR	1000PF K	
C350	CK73HB1H102K	C CAPACITOR	1000PF K		C561	CK73HB1H102K	C CAPACITOR	1000PF K	
C351	CC73GCH1H050B	C CAPACITOR	5.0PF B		C562	CK73HB1H102K	C CAPACITOR	1000PF K	
C352	C93-0561-05	C CAPACITOR	12PF J		C569	CC73HCH1H010B	C CAPACITOR	1.0PF B	
C353	C93-0603-05	C CAPACITOR	1000PF K		C570	CC73HCH1H560J	C CAPACITOR	56PF J	
C354	C93-0603-05	C CAPACITOR	1000PF K		C571	CC73HCH1H040B	C CAPACITOR	4.0PF B	
C355	CC73GCH1H020B	C CAPACITOR	2.0PF B		C572	CK73HB1H102K	C CAPACITOR	1000PF K	
C356	CC73GCH1H430J	C CAPACITOR	43PF J		C573	CC73HCH1H010B	C CAPACITOR	1.0PF B	
C357	C93-0562-05	C CAPACITOR	15PF J		C574	CC73HCH1H330J	C CAPACITOR	33PF J	
C358	CK73GB1H102K	C CAPACITOR	1000PF K		C575	CC73HCH1H1R5B	C CAPACITOR	1.5PF B	
C359	C93-0552-05	C CAPACITOR	2.0PF C		C576	CK73HB1H102K	C CAPACITOR	1000PF K	
C360	CM73F2H200J	C CAPACITOR	20PF J		C577	CK73HB1H471K	C CAPACITOR	470PF K	
C361	C93-0552-05	C CAPACITOR	2.0PF C		C579	CK73HB1A104K	C CAPACITOR	0.10UF K	
C363	C93-0554-05	C CAPACITOR	4.0PF C		C580	CK73HB1H102K	C CAPACITOR	1000PF K	
C364	C93-0562-05	C CAPACITOR	15PF J		C582	CK73HB1H102K	C CAPACITOR	1000PF K	
C365	CK73GB1H102K	C CAPACITOR	1000PF K		C583	CK73HB1H471K	C CAPACITOR	470PF K	
C366	CK73HB1H102K	C CAPACITOR	1000PF K		C584	CK73HB1H102K	C CAPACITOR	1000PF K	
C367	CK73HB1H102K	C CAPACITOR	1000PF K		C585	CK73HB1H471K	C CAPACITOR	470PF K	
C368	CK73HB1E103K	C CAPACITOR	0.010UF K		C586	CK73HB1H471K	C CAPACITOR	470PF K	
C369	CK73HB1H471K	C CAPACITOR	470PF K		C587	CC73HCH1H020B	C CAPACITOR	2.0PF B	
C370	CC73HCH1H150J	C CAPACITOR	15PF J		C588	CC73GCH1H471J	C CAPACITOR	470PF J	
C371	CC73HCH1H070B	C CAPACITOR	7.0PF B		C589	CC73HCH1H560J	C CAPACITOR	56PF J	
C372	CC73HCH1H220J	C CAPACITOR	22PF J		C590	CC73HCH1H040B	C CAPACITOR	4.0PF B	
C374	CC73HCH1H080B	C CAPACITOR	8.0PF B		C591	CK73HB1H102K	C CAPACITOR	1000PF K	
C375	CC73HCH1H120J	C CAPACITOR	12PF J		C592	CC73HCH1H030B	C CAPACITOR	3.0PF B	
C376	CC73HCH1H200J	C CAPACITOR	20PF J		C595	CC73HCH1H560J	C CAPACITOR	56PF J	
C500	CK73HB1H271K	C CAPACITOR	270PF K		C596	CC73HCH1H020B	C CAPACITOR	2.0PF B	
C502	CK73HB1A104K	C CAPACITOR	0.10UF K		C597	CK73GB1H102K	C CAPACITOR	1000PF K	
C503	CK73HB1H271K	C CAPACITOR	270PF K		C599	CC73HCH1H040B	C CAPACITOR	4.0PF B	
C504	CK73HB1A104K	C CAPACITOR	0.10UF K		C600	CC73HCH1H130J	C CAPACITOR	13PF J	
C505	CC73HCH1H560J	C CAPACITOR	56PF J		C700	CK73HB1H471K	C CAPACITOR	470PF K	
C506	CK73HB1H152K	C CAPACITOR	1500PF K		C701	CK73HB1H471K	C CAPACITOR	470PF K	
C507	CK73HB1A104K	C CAPACITOR	0.10UF K		C702	CC73HCH1H101J	C CAPACITOR	100PF J	
C508	CK73HB1H681K	C CAPACITOR	680PF K		C703	CK73HB1H103K	C CAPACITOR	0.010UF K	
C509	CK73HB1H182K	C CAPACITOR	1800PF K		C704	CK73HB1H471K	C CAPACITOR	470PF K	
C510	CC73HCH1H330J	C CAPACITOR	33PF J		C705	CK73HB1H102K	C CAPACITOR	1000PF K	
C511	CK73HB1E103K	C CAPACITOR	0.010UF K		C706	CK73HB1H471K	C CAPACITOR	470PF K	
C512	CC73HCH1H220J	C CAPACITOR	22PF J		C707	CK73HB1H471K	C CAPACITOR	470PF K	
C513	CC73HCH1H820J	C CAPACITOR	82PF J		C708	CK73HB1H471K	C CAPACITOR	470PF K	
C514	CK73HB1E103K	C CAPACITOR	0.010UF K		C709	CK73HB1H471K	C CAPACITOR	470PF K	
C515	CK73HB1A104K	C CAPACITOR	0.10UF K		C710	CK73HB1H103K	C CAPACITOR	0.010UF K	
C516	CK73HB1H102K	C CAPACITOR	1000PF K		C711	CK73HB1H102K	C CAPACITOR	1000PF K	
C517	CC73HCH1H390J	C CAPACITOR	39PF J		C712	CK73HB1H471K	C CAPACITOR	470PF K	
C518	CK73HB1A333K	C CAPACITOR	0.033UF K		C713	CK73HB1H102K	C CAPACITOR	1000PF K	
C519	CC73HCH1H820J	C CAPACITOR	82PF J		C714	CK73HB1A104K	C CAPACITOR	0.10UF K	
C520	CK73GB0J106K	C CAPACITOR	10UF K		C715	CK73HB1H471K	C CAPACITOR	470PF K	
C521	CK73HB1A104K	C CAPACITOR	0.10UF K		C716	CK73HB1H471K	C CAPACITOR	470PF K	
C522	CK73HB1A224K	C CAPACITOR	0.22UF K		C717	CK73HB1H102K	C CAPACITOR	1000PF K	
C525	CK73HB1H271K	C CAPACITOR	270PF K		C718	CK73HB1H471K	C CAPACITOR	470PF K	
C527	CK73HB1E103K	C CAPACITOR	0.010UF K		C719	CK73HB1H102K	C CAPACITOR	1000PF K	
C528	CC73HCH1H101J	C CAPACITOR	100PF J		C720	CK73HB1H471K	C CAPACITOR	470PF K	
C529	CC73HCH1H101J	C CAPACITOR	100PF J		C721	CK73HB1H471K	C CAPACITOR	470PF K	

△ Symbol No.	Part No.	Part Name	Description	Local	△ Symbol No.	Part No.	Part Name	Description	Local
C722	CK73HB1H471K	C CAPACITOR	470PF K		C844	CK73HB1H102K	C CAPACITOR	1000PF K	
C723	CK73HB1H471K	C CAPACITOR	470PF K		C845	CK73HB1A104K	C CAPACITOR	0.10UF K	
C725	CK73HB1H471K	C CAPACITOR	470PF K		C846	CK73HB1H102K	C CAPACITOR	1000PF K	
C727	CK73HB1H471K	C CAPACITOR	470PF K		C847	CK73HB1A104K	C CAPACITOR	0.10UF K	
C729	CK73HB1H471K	C CAPACITOR	470PF K		C848	CK73HB1H102K	C CAPACITOR	1000PF K	
C731	CK73HB1H221K	C CAPACITOR	220PF K		C849	CK73GB1H102K	C CAPACITOR	1000PF K	
C733	CC73HCH1H101J	C CAPACITOR	100PF J		C850	CK73HB1H102K	C CAPACITOR	1000PF K	
C735	CK73HB1H103K	C CAPACITOR	0.010UF K		C851	CK73HB0J225K	C CAPACITOR	2.2UF K	
C736	CK73GB1A105K	C CAPACITOR	1.0UF K		C852	CK73HB1H471K	C CAPACITOR	470PF K	
C737	CK73HB0J105K	C CAPACITOR	1.0UF K		C853	CK73HB1H103K	C CAPACITOR	0.010UF K	
C738	CK73HB0J105K	C CAPACITOR	1.0UF K		C855	CK73HB1H471K	C CAPACITOR	470PF K	
C740	CK73HB1H103K	C CAPACITOR	0.010UF K		C856	CK73HB0J105K	C CAPACITOR	1.0UF K	
C741	CK73HB1H471K	C CAPACITOR	470PF K		C857	CK73HB1H103K	C CAPACITOR	0.010UF K	
C742	CK73GB1C104K	C CAPACITOR	0.10UF K		C858	CK73HB0J105K	C CAPACITOR	1.0UF K	
C743	CK73HB0J105K	C CAPACITOR	1.0UF K		C859	CK73HB1H471K	C CAPACITOR	470PF K	
C744	CK73HB1A104K	C CAPACITOR	0.10UF K		C860	CK73GB1H102K	C CAPACITOR	1000PF K	
C745	CK73HB1H102K	C CAPACITOR	1000PF K		C861	CK73HB1A104K	C CAPACITOR	0.10UF K	
C746	CK73HB1A104K	C CAPACITOR	0.10UF K		C862	CK73HB1H102K	C CAPACITOR	1000PF K	
C747	CK73HB1A105K	C CAPACITOR	1.0UF K		C863	CK73HB1H102K	C CAPACITOR	1000PF K	
C748	CK73HB1A105K	C CAPACITOR	1.0UF K		C865	CK73HB1H102K	C CAPACITOR	1000PF K	
C749	CK73HB1A105K	C CAPACITOR	1.0UF K		C867	CK73HB1A104K	C CAPACITOR	0.10UF K	
C750	CK73HB1A105K	C CAPACITOR	1.0UF K		C868	CK73HB1A104K	C CAPACITOR	0.10UF K	
C751	CK73FB0J106K	C CAPACITOR	10UF K		C869	CK73HB1H102K	C CAPACITOR	1000PF K	
C752	CC73HCH1H101J	C CAPACITOR	100PF J		C870	CK73HB1A104K	C CAPACITOR	0.10UF K	
C753	CC73HCH1H390J	C CAPACITOR	39PF J		C871	CK73HB1A104K	C CAPACITOR	0.10UF K	
C754	CK73HB0J105K	C CAPACITOR	1.0UF K		C872	CK73HB0J105K	C CAPACITOR	1.0UF K	
C755	CK73HB0J105K	C CAPACITOR	1.0UF K		C873	CK73HB1H102K	C CAPACITOR	1000PF K	
C757	CK73HB1H103K	C CAPACITOR	0.010UF K		C874	CK73HB1A104K	C CAPACITOR	0.10UF K	
C758	CK73HB1A104K	C CAPACITOR	0.10UF K		C875	CK73HB1H682K	C CAPACITOR	6800PF K	
C759	CK73HB1A104K	C CAPACITOR	0.10UF K		C876	CC73HCH1H101J	C CAPACITOR	100PF J	
C760	CK73HB0J105K	C CAPACITOR	1.0UF K		C878	CK73HB0J225K	C CAPACITOR	2.2UF K	
C761	CK73GB0J475K	C CAPACITOR	4.7UF K		C879	CK73HB1A104K	C CAPACITOR	0.10UF K	
C764	CK73HB1C333K	C CAPACITOR	0.033UF K		C880	CK73HB1H102K	C CAPACITOR	1000PF K	
C765	CC73HCH1H101J	C CAPACITOR	100PF J		C881	CK73HB1A104K	C CAPACITOR	0.10UF K	
C766	CC73HCH1H101J	C CAPACITOR	100PF J		C882	CK73HB1A104K	C CAPACITOR	0.10UF K	
C767	CC73HCH1H101J	C CAPACITOR	100PF J		C883	CK73HB1A104K	C CAPACITOR	0.10UF K	
C768	CC73HCH1H101J	C CAPACITOR	100PF J		C884	CK73HB1H102K	C CAPACITOR	1000PF K	
C769	CC73HCH1H101J	C CAPACITOR	100PF J		C885	CK73HB1H102K	C CAPACITOR	1000PF K	
C770	CC73HCH1H101J	C CAPACITOR	100PF J		C886	CK73HB1H102K	C CAPACITOR	1000PF K	
C771	CC73HCH1H101J	C CAPACITOR	100PF J		C887	CK73HB1H102K	C CAPACITOR	1000PF K	
C772	CC73HCH1H101J	C CAPACITOR	100PF J		C890	CK73HB1A104K	C CAPACITOR	0.10UF K	
C773	CC73HCH1H101J	C CAPACITOR	100PF J		C891	CS77BB21C220M	TA E CAPACITOR	22UF 16WV	
C774	CK73HB1E223K	C CAPACITOR	0.022UF K		C892	CK73HB1E103K	C CAPACITOR	0.010UF K	
C775	CC73HCH1H101J	C CAPACITOR	100PF J		C894	CK73HB1H102K	C CAPACITOR	1000PF K	
C780	CK73HB0J105K	C CAPACITOR	1.0UF K		C897	CK73HB1H102K	C CAPACITOR	1000PF K	
C781	CK73HB1A104K	C CAPACITOR	0.10UF K		C898	CK73GB1A105K	C CAPACITOR	1.0UF K	
C783	CK73HB1A104K	C CAPACITOR	0.10UF K		C899	CK73HB0J105K	C CAPACITOR	1.0UF K	
C784	CK73GB0J106K	C CAPACITOR	10UF K		C900	CK73GB1A105K	C CAPACITOR	1.0UF K	
C786	CK73HB1A104K	C CAPACITOR	0.10UF K		C902	CK73HB0J105K	C CAPACITOR	1.0UF K	
C789	CK73HB0J105K	C CAPACITOR	1.0UF K		C903	CS77BB21C220M	TA E CAPACITOR	22UF 16WV	
C790	CK73HB1H471K	C CAPACITOR	470PF K		C904	CK73HB1H102K	C CAPACITOR	1000PF K	
C791	CK73HB1H471K	C CAPACITOR	470PF K		C905	CK73HB1A104K	C CAPACITOR	0.10UF K	
C793	CK73HB0J105K	C CAPACITOR	1.0UF K		C908	CK73HB1A104K	C CAPACITOR	0.10UF K	
C794	CK73HB1A104K	C CAPACITOR	0.10UF K		C909	CK73HB1A104K	C CAPACITOR	0.10UF K	
C796	CK73GB0J106K	C CAPACITOR	10UF K		C911	CK73HB1A224K	C CAPACITOR	0.22UF K	
C798	CK73HB0J105K	C CAPACITOR	1.0UF K		C912	CK73HB1A104K	C CAPACITOR	0.10UF K	
C800	CK73GB1C104K	C CAPACITOR	0.10UF K		C913	CK73GB1C224K	C CAPACITOR	0.22UF K	
C801	CK73GB1H471K	C CAPACITOR	470PF K		C914	CE32BM1C471M	E CAPACITOR	470UF 16WV	
C802	CK73FB0J106K	C CAPACITOR	10UF K		C916	CK73HB1H102K	C CAPACITOR	1000PF K	
C803	CC73HCH1H101J	C CAPACITOR	100PF J		C919	CK73GB1H102K	C CAPACITOR	1000PF K	
C806	CK73HB0J475M	C CAPACITOR	4.7UF M		C920	CK73HB0J105K	C CAPACITOR	1.0UF K	
C807	CC73HCH1H101J	C CAPACITOR	100PF J		C921	CK73HB1H102K	C CAPACITOR	1000PF K	
C809	CK73HB1H271K	C CAPACITOR	270PF K		C922	CK73HB1H102K	C CAPACITOR	1000PF K	
C810	CK73FB0J106K	C CAPACITOR	10UF K		C923	CK73HB1A105K	C CAPACITOR	1.0UF K	
C815	CK73HB1E103K	C CAPACITOR	0.010UF K		C924	CK73GB1A105K	C CAPACITOR	1.0UF K	
C816	CK73GB1A105K	C CAPACITOR	1.0UF K		C925	CS77BA1C4R7M	TA E CAPACITOR	4.7UF 16WV	
C817	CK73GB0J106K	C CAPACITOR	10UF K		C926	CK73GB1H102K	C CAPACITOR	1000PF K	
C818	CK73HB1H102K	C CAPACITOR	1000PF K		C927	CS77BA1A100M	TA E CAPACITOR	10UF 10WV	
C820	CK73HB1H103K	C CAPACITOR	0.010UF K		C928	CE32CL1C470M	E CAPACITOR	47UF 16WV	
C829	CK73HB1A683K	C CAPACITOR	0.068UF K		C929	CS77MB20J101M	TA E CAPACITOR	100UF 6.3WV	
C831	CK73HB1H103K	C CAPACITOR	0.010UF K		C930	CK73HB1H102K	C CAPACITOR	1000PF K	
C832	CK73HB1E103K	C CAPACITOR	0.010UF K		C931	CK73HB1E103K	C CAPACITOR	0.010UF K	
C833	CK73HB1A104K	C CAPACITOR	0.10UF K		C933	CE32BD1C471M	E CAPACITOR	470UF 16WV	
C835	CK73GB1H104K	C CAPACITOR	0.10UF K		C934	CK73GB1H102K	C CAPACITOR	1000PF K	
C837	CK73HB1E103K	C CAPACITOR	0.010UF K		C935	CK73HB1H102K	C CAPACITOR	1000PF K	
C841	CK73HB1A104K	C CAPACITOR	0.10UF K		C936	CE32BD1C471M	E CAPACITOR	470UF 16WV	
C842	CK73HB1A104K	C CAPACITOR	0.10UF K		C937	CK73GB1H102K	C CAPACITOR	1000PF K	
C843	CK73HB1A104K	C CAPACITOR	0.10UF K		C938	CK73GB1A105K	C CAPACITOR	1.0UF K	

△ Symbol No.	Part No.	Part Name	Description	Local	△ Symbol No.	Part No.	Part Name	Description	Local
C939	CK73HB1E103K	C CAPACITOR	0.010UF K		R55	RK73HB1J000J	MG RESISTOR	0.0 J 1/16W	
C940	CK73HB1H102K	C CAPACITOR	1000PF K		R57	RK73HB1J000J	MG RESISTOR	0.0 J 1/16W	
C941	CK73EB1E106K	C CAPACITOR	10UF K		R58	RK73HB1J000J	MG RESISTOR	0.0 J 1/16W	
C942	CK73HB1H102K	C CAPACITOR	1000PF K		R59	RK73HB1J104J	MG RESISTOR	100K J 1/16W	
C944	CK73FB1E225K	C CAPACITOR	2.2UF K		R60	RK73HB1J393J	MG RESISTOR	39K J 1/16W	
C945	CK73HB1A104K	C CAPACITOR	0.10UF K		R61	RK73HB1J104J	MG RESISTOR	100K J 1/16W	
C947	CC73HCH1H220J	C CAPACITOR	22PF J		R62	RK73HB1J473J	MG RESISTOR	47K J 1/16W	
C948	CK73HB1A393K	C CAPACITOR	0.039UF K		R63	RN73HH1J471D	MG RESISTOR	470 D 1/16W	
C949	CK73GB1H102K	C CAPACITOR	1000PF K		R64	RN73HH1J391D	MG RESISTOR	390 D 1/16W	
C950	CC73HCH1H470J	C CAPACITOR	47PF J		R65	RK73GB2A104J	MG RESISTOR	100K J 1/10W	
C951	CK73GB1H221K	C CAPACITOR	220PF K		R66	RK73HB1J472J	MG RESISTOR	4.7K J 1/16W	
C952	CC73HCH1H101J	C CAPACITOR	100PF J		R67	RN73HH1J271D	MG RESISTOR	270 D 1/16W	
C954	CK73GB1H471K	C CAPACITOR	470PF K		R68	RN73HH1J121D	MG RESISTOR	120 D 1/16W	
C955	CK73HB1H102K	C CAPACITOR	1000PF K		R69	RK73HB1J102J	MG RESISTOR	1.0K J 1/16W	
C956	CC73HCH1H220J	C CAPACITOR	22PF J		R70	RK73HB1J000J	MG RESISTOR	0.0 J 1/16W	
C957	CC73GCH1H220J	C CAPACITOR	22PF J		R71	RK73HB1J000J	MG RESISTOR	0.0 J 1/16W	
C958	CK73HB1H471K	C CAPACITOR	470PF K		R72	RK73HB1J273J	MG RESISTOR	27K J 1/16W	
C959	CK73GB1H102K	C CAPACITOR	1000PF K		R73	RK73HB1J000J	MG RESISTOR	0.0 J 1/16W	
C960	CC73GCH1H470J	C CAPACITOR	47PF J		R74	RK73HB1J101J	MG RESISTOR	100 J 1/16W	
C961	CK73HB1E103K	C CAPACITOR	0.010UF K		R75	RK73HB1J103J	MG RESISTOR	10K J 1/16W	
C962	CC73HCH1H220J	C CAPACITOR	22PF J		R76	RK73HB1J822J	MG RESISTOR	8.2K J 1/16W	
C965	CK73HB1H102K	C CAPACITOR	1000PF K		R77	RK73HB1J101J	MG RESISTOR	100 J 1/16W	
C967	CK73GB1H102K	C CAPACITOR	1000PF K		R78	RK73HB1J101J	MG RESISTOR	100 J 1/16W	
C969	CK73GB1H471K	C CAPACITOR	470PF K		R79	RK73HB1J101J	MG RESISTOR	100 J 1/16W	
C970	CK73GB1H102K	C CAPACITOR	1000PF K		R80	RK73HB1J000J	MG RESISTOR	0.0 J 1/16W	
C971	CK73GB1H221K	C CAPACITOR	220PF K		R81	RK73HB1J222J	MG RESISTOR	2.2K J 1/16W	
C973	CK73HB1A104K	C CAPACITOR	0.10UF K		R300	RK73GB2A472J	MG RESISTOR	4.7K J 1/10W	
C974	CK73HB1A104K	C CAPACITOR	0.10UF K		R301	RK73HB1J273J	MG RESISTOR	27K J 1/16W	
C976	CK73HB0J105K	C CAPACITOR	1.0UF K		R302	RK73HB1J472J	MG RESISTOR	4.7K J 1/16W	
C977	CK73HB0J105K	C CAPACITOR	1.0UF K		R303	RK73HB1J103J	MG RESISTOR	10K J 1/16W	
C978	CC73HCH1H560J	C CAPACITOR	56PF J		R310	RK73GB2A4R7J	MG RESISTOR	4.7 J 1/10W	
C979	CK73HB1A104K	C CAPACITOR	0.10UF K		R311	RK73GB2A4R7J	MG RESISTOR	4.7 J 1/10W	
C980	CK73GB1A105K	C CAPACITOR	1.0UF K		R312	RK73GB2A271J	MG RESISTOR	270 J 1/10W	
C981	CK73HB1H102K	C CAPACITOR	1000PF K		R314	RK73HB1J101J	MG RESISTOR	100 J 1/16W	
C982	CK73GB1A105K	C CAPACITOR	1.0UF K		R316	RK73GB2A470J	MG RESISTOR	47 J 1/10W	
C983	CK73HB1H102K	C CAPACITOR	1000PF K		R317	RK73HB1J000J	MG RESISTOR	0.0 J 1/16W	
C987	CK73HB1H102K	C CAPACITOR	1000PF K		R318	RK73HB1J154J	MG RESISTOR	150K J 1/16W	
C988	CS77BB21A470M	TA E CAPACITOR	47UF 10WV		R320	RK73HB1J103J	MG RESISTOR	10K J 1/16W	
C989	CS77BB21A470M	TA E CAPACITOR	47UF 10WV		R321	RK73HB1J103J	MG RESISTOR	10K J 1/16W	
C990	CK73HB1E103K	C CAPACITOR	0.010UF K		R322	RK73HB1J000J	MG RESISTOR	0.0 J 1/16W	
					R324	RK73HB1J223J	MG RESISTOR	22K J 1/16W	
R2	RK73HB1J103J	MG RESISTOR	10K J 1/16W		R325	RK73HB1J000J	MG RESISTOR	0.0 J 1/16W	
R4	RK73HB1J334J	MG RESISTOR	330K J 1/16W		R327	RK73HB1J473J	MG RESISTOR	47K J 1/16W	
R6	RK73HB1J000J	MG RESISTOR	0.0 J 1/16W		R329	RK73HB1J000J	MG RESISTOR	0.0 J 1/16W	
R7	RK73HB1J000J	MG RESISTOR	0.0 J 1/16W		R330	RK73HB1J000J	MG RESISTOR	0.0 J 1/16W	
R8	RK73HB1J101J	MG RESISTOR	100 J 1/16W		R331	RK73HB1J104J	MG RESISTOR	100K J 1/16W	
R9	RK73HB1J100J	MG RESISTOR	10 J 1/16W		R332	RK73HB1J104J	MG RESISTOR	100K J 1/16W	
R10	RK73HB1J101J	MG RESISTOR	100 J 1/16W		R334	RK73HB1J104J	MG RESISTOR	100K J 1/16W	
R11	RK73HB1J000J	MG RESISTOR	0.0 J 1/16W		R335	RK73GH2A101D	MG RESISTOR	100 D 1/10W	
R13	RK73HB1J000J	MG RESISTOR	0.0 J 1/16W		R336	RK73GH2A681D	MG RESISTOR	680 D 1/10W	
R14	RK73HB1J102J	MG RESISTOR	1.0K J 1/16W		R337	RK73HB1J104J	MG RESISTOR	100K J 1/16W	
R15	RK73HB1J000J	MG RESISTOR	0.0 J 1/16W		R338	RK73HB1J104J	MG RESISTOR	100K J 1/16W	
R16	RK73HB1J823J	MG RESISTOR	82K J 1/16W		R341	RK73HB1J000J	MG RESISTOR	0.0 J 1/16W	
R17	RK73HB1J331J	MG RESISTOR	330 J 1/16W		R342	RK73HB1J000J	MG RESISTOR	0.0 J 1/16W	
R19	RK73HB1J122J	MG RESISTOR	1.2K J 1/16W		R343	RK73HB1J104J	MG RESISTOR	100K J 1/16W	
R20	RK73HB1J273J	MG RESISTOR	27K J 1/16W		R344	RK73GH2A680D	MG RESISTOR	68 D 1/10W	
R21	RK73HB1J100J	MG RESISTOR	10 J 1/16W		R345	RK73HB1J000J	MG RESISTOR	0.0 J 1/16W	
R22	RK73HB1J103J	MG RESISTOR	10K J 1/16W		R346	RK73RB2H101J	MG RESISTOR	100 J 1/2W	
R23	RK73HB1J100J	MG RESISTOR	10 J 1/16W		R348	RK73GB2A102J	MG RESISTOR	1.0K J 1/10W	
R24	RK73HB1J000J	MG RESISTOR	0.0 J 1/16W		R350	RK73GB2A000J	MG RESISTOR	0.0 J 1/10W	
R25	RK73HB1J000J	MG RESISTOR	0.0 J 1/16W		R351	RK73GB2A000J	MG RESISTOR	0.0 J 1/10W	
R26	RK73HB1J182J	MG RESISTOR	1.8K J 1/16W		R352	RK73GB2A000J	MG RESISTOR	0.0 J 1/10W	
R27	RK73HB1J393J	MG RESISTOR	39K J 1/16W		R353	RK73GB2A000J	MG RESISTOR	0.0 J 1/10W	
R28	RK73HB1J391J	MG RESISTOR	390 J 1/16W		R354	RK73GH2A121D	MG RESISTOR	120 D 1/10W	
R31	RK73HB1J000J	MG RESISTOR	0.0 J 1/16W		R355	RK73GH2A181D	MG RESISTOR	180 D 1/10W	
R33	RK73HB1J000J	MG RESISTOR	0.0 J 1/16W		R356	R92-1061-05	JUMPER REST	0 OHM	
R35	RK73HB1J103J	MG RESISTOR	10K J 1/16W		R357	RK73HB1J472J	MG RESISTOR	4.7K J 1/16W	
R40	RK73HB1J102J	MG RESISTOR	1.0K J 1/16W		R358	RK73HB1J151J	MG RESISTOR	150 J 1/16W	
R41	RK73HB1J470J	MG RESISTOR	47 J 1/16W		R359	RK73HB1J390J	MG RESISTOR	39 J 1/16W	
R42	RK73HB1J223J	MG RESISTOR	22K J 1/16W		R360	RK73HB1J151J	MG RESISTOR	150 J 1/16W	
R45	RK73HB1J153J	MG RESISTOR	15K J 1/16W		R362	RK73HB1J000J	MG RESISTOR	0.0 J 1/16W	
R47	RK73HB1J105J	MG RESISTOR	1.0M J 1/16W		R500	RK73HB1J100J	MG RESISTOR	10 J 1/16W	
R48	RK73HB1J000J	MG RESISTOR	0.0 J 1/16W		R501	RK73GB2A104J	MG RESISTOR	100K J 1/10W	
R50	RK73HB1J471J	MG RESISTOR	470 J 1/16W		R503	RK73GB2A000J	MG RESISTOR	0.0 J 1/10W	
R51	RK73HB1J683J	MG RESISTOR	68K J 1/16W		R504	RK73HB1J394J	MG RESISTOR	390K J 1/16W	
R52	RK73FB2B102J	MG RESISTOR	1.0K J 1/8W		R508	RK73HB1J222J	MG RESISTOR	2.2K J 1/16W	
R53	RK73HB1J271J	MG RESISTOR	270 J 1/16W		R509	RK73HB1J123J	MG RESISTOR	12K J 1/16W	
R54	RK73HB1J103J	MG RESISTOR	10K J 1/16W		R510	RK73HB1J104J	MG RESISTOR	100K J 1/16W	

△ Symbol No.	Part No.	Part Name	Description	Local	△ Symbol No.	Part No.	Part Name	Description	Local
R512	RK73HB1J123J	MG RESISTOR	12K J 1/16W		R706	RK73HB1J000J	MG RESISTOR	0.0 J 1/16W	
R513	RK73HB1J334J	MG RESISTOR	330K J 1/16W		R707	RK73HB1J000J	MG RESISTOR	0.0 J 1/16W	
R514	RK73HB1J101J	MG RESISTOR	100 J 1/16W		R708	RK73HB1J000J	MG RESISTOR	0.0 J 1/16W	
R515	RK73HB1J332J	MG RESISTOR	3.3K J 1/16W		R709	RK73HB1J000J	MG RESISTOR	0.0 J 1/16W	
R516	RK73HB1J332J	MG RESISTOR	3.3K J 1/16W		R710	RK73HB1J000J	MG RESISTOR	0.0 J 1/16W	
R517	RK73HB1J000J	MG RESISTOR	0.0 J 1/16W		R711	RK73HB1J000J	MG RESISTOR	0.0 J 1/16W	
R518	RK73HB1J563J	MG RESISTOR	56K J 1/16W		R712	RK73HB1J000J	MG RESISTOR	0.0 J 1/16W	
R519	RK73HH1J473D	MG RESISTOR	47K D 1/16W		R713	RK73HB1J000J	MG RESISTOR	0.0 J 1/16W	
R520	RK73HB1J105J	MG RESISTOR	1.0M J 1/16W		R714	RK73HB1J000J	MG RESISTOR	0.0 J 1/16W	
R521	RK73HB1J224J	MG RESISTOR	220K J 1/16W		R715	RK73HB1J000J	MG RESISTOR	0.0 J 1/16W	
R523	RK73HB1J000J	MG RESISTOR	0.0 J 1/16W		R716	RK73HB1J000J	MG RESISTOR	0.0 J 1/16W	
R524	RK73HB1J000J	MG RESISTOR	0.0 J 1/16W		R717	RK73HB1J000J	MG RESISTOR	0.0 J 1/16W	
R525	RK73HB1J000J	MG RESISTOR	0.0 J 1/16W		R718	RK73HB1J104J	MG RESISTOR	100K J 1/16W	
R526	RK73HB1J000J	MG RESISTOR	0.0 J 1/16W		R720	RK73HB1J682J	MG RESISTOR	6.8K J 1/16W	
R527	RK73HB1J000J	MG RESISTOR	0.0 J 1/16W		R721	RK73HB1J682J	MG RESISTOR	6.8K J 1/16W	
R528	RK73HB1J104J	MG RESISTOR	100K J 1/16W		R722	RK73HB1J104J	MG RESISTOR	100K J 1/16W	
R529	RK73HB1J000J	MG RESISTOR	0.0 J 1/16W		R724	RK73HB1J000J	MG RESISTOR	0.0 J 1/16W	
R530	RK73HB1J100J	MG RESISTOR	10 J 1/16W		R727	RK73HB1J474J	MG RESISTOR	470K J 1/16W	
R532	RK73HB1J101J	MG RESISTOR	100 J 1/16W		R728	RK73HB1J102J	MG RESISTOR	1.0K J 1/16W	
R535	RK73HB1J473J	MG RESISTOR	47K J 1/16W		R729	RK73HB1J102J	MG RESISTOR	1.0K J 1/16W	
R536	RK73HB1J274J	MG RESISTOR	270K J 1/16W		R730	RK73HB1J000J	MG RESISTOR	0.0 J 1/16W	
R538	RK73HB1J121J	MG RESISTOR	120 J 1/16W		R732	RK73HB1J104J	MG RESISTOR	100K J 1/16W	
R540	RK73HB1J183J	MG RESISTOR	18K J 1/16W		R733	RK73HB1J561J	MG RESISTOR	560 J 1/16W	
R541	RK73HB1J474J	MG RESISTOR	470K J 1/16W		R734	RK73HB1J472J	MG RESISTOR	4.7K J 1/16W	
R542	RK73HB1J101J	MG RESISTOR	100 J 1/16W		R736	RK73HB1J681J	MG RESISTOR	680 J 1/16W	
R543	RK73HB1J682J	MG RESISTOR	6.8K J 1/16W		R737	RK73GB2A000J	MG RESISTOR	0.0 J 1/10W	
R544	RK73HB1J470J	MG RESISTOR	47 J 1/16W		R738	RK73HB1J102J	MG RESISTOR	1.0K J 1/16W	
R545	RK73HB1J681J	MG RESISTOR	680 J 1/16W		R739	RK73HB1J821J	MG RESISTOR	820 J 1/16W	
R546	RK73HB1J000J	MG RESISTOR	0.0 J 1/16W		R740	RK73HB1J223J	MG RESISTOR	22K J 1/16W	
R547	RK73HB1J104J	MG RESISTOR	100K J 1/16W		R741	RK73HB1J221J	MG RESISTOR	220 J 1/16W	
R548	RK73HB1J394J	MG RESISTOR	390K J 1/16W		R742	RK73HB1J000J	MG RESISTOR	0.0 J 1/16W	
R550	RK73HB1J151J	MG RESISTOR	150 J 1/16W		R743	RK73HB1J223J	MG RESISTOR	22K J 1/16W	
R551	RK73HB1J684J	MG RESISTOR	680K J 1/16W		R744	RK73HB1J473J	MG RESISTOR	47K J 1/16W	
R552	RK73HB1J224J	MG RESISTOR	220K J 1/16W		R745	RK73HB1J823J	MG RESISTOR	82K J 1/16W	
R553	RK73HB1J000J	MG RESISTOR	0.0 J 1/16W		R747	RK73HB1J101J	MG RESISTOR	100 J 1/16W	
R554	RK73HB1J394J	MG RESISTOR	390K J 1/16W		R748	RK73HB1J000J	MG RESISTOR	0.0 J 1/16W	
R555	RK73HB1J154J	MG RESISTOR	150K J 1/16W		R749	RK73HB1J222J	MG RESISTOR	2.2K J 1/16W	
R556	RK73HB1J823J	MG RESISTOR	82K J 1/16W		R750	RK73HB1J000J	MG RESISTOR	0.0 J 1/16W	
R557	RK73HB1J000J	MG RESISTOR	0.0 J 1/16W		R751	RK73HB1J000J	MG RESISTOR	0.0 J 1/16W	
R558	RK73HB1J823J	MG RESISTOR	82K J 1/16W		R752	RK73HB1J000J	MG RESISTOR	0.0 J 1/16W	
R560	RK73HB1J823J	MG RESISTOR	82K J 1/16W		R755	RK73HB1J000J	MG RESISTOR	0.0 J 1/16W	
R561	RK73HB1J000J	MG RESISTOR	0.0 J 1/16W		R757	RK73HB1J471J	MG RESISTOR	470 J 1/16W	
R562	RK73HB1J000J	MG RESISTOR	0.0 J 1/16W		R758	RK73HB1J334J	MG RESISTOR	330K J 1/16W	
R564	RK73HB1J000J	MG RESISTOR	0.0 J 1/16W		R759	RK73HB1J471J	MG RESISTOR	470 J 1/16W	
R565	RK73HB1J000J	MG RESISTOR	0.0 J 1/16W		R760	RK73HB1J823J	MG RESISTOR	82K J 1/16W	
R566	RK73HB1J564J	MG RESISTOR	560K J 1/16W		R761	RK73HB1J000J	MG RESISTOR	0.0 J 1/16W	
R567	RK73HB1J564J	MG RESISTOR	560K J 1/16W		R762	RK73HB1J000J	MG RESISTOR	0.0 J 1/16W	
R568	RK73HB1J000J	MG RESISTOR	0.0 J 1/16W		R764	RK73HB1J183J	MG RESISTOR	18K J 1/16W	
R569	RK73HB1J102J	MG RESISTOR	1.0K J 1/16W		R765	RK73GB2A000J	MG RESISTOR	0.0 J 1/10W	
R570	RK73HB1J560J	MG RESISTOR	56 J 1/16W		R768	RK73HB1J561J	MG RESISTOR	560 J 1/16W	
R571	RK73HB1J154J	MG RESISTOR	150K J 1/16W		R769	RK73HB1J101J	MG RESISTOR	100 J 1/16W	
R572	RK73HB1J221J	MG RESISTOR	220 J 1/16W		R770	RK73HB1J101J	MG RESISTOR	100 J 1/16W	
R573	RK73HB1J000J	MG RESISTOR	0.0 J 1/16W		R771	RK73HB1J000J	MG RESISTOR	0.0 J 1/16W	
R574	RK73HB1J104J	MG RESISTOR	100K J 1/16W		R772	RK73HB1J101J	MG RESISTOR	100 J 1/16W	
R575	RK73HB1J564J	MG RESISTOR	560K J 1/16W		R773	RK73HB1J101J	MG RESISTOR	100 J 1/16W	
R576	RK73HB1J223J	MG RESISTOR	22K J 1/16W		R774	RK73HB1J101J	MG RESISTOR	100 J 1/16W	
R577	RK73HB1J104J	MG RESISTOR	100K J 1/16W		R775	RK73HB1J471J	MG RESISTOR	470 J 1/16W	
R578	RK73HB1J683J	MG RESISTOR	68K J 1/16W		R776	RK73HB1J101J	MG RESISTOR	100 J 1/16W	
R579	RK73HB1J000J	MG RESISTOR	0.0 J 1/16W		R777	RK73GB2A124J	MG RESISTOR	120K J 1/10W	
R580	RK73HB1J223J	MG RESISTOR	22K J 1/16W		R778	RK73HB1J000J	MG RESISTOR	0.0 J 1/16W	
R581	RK73HB1J223J	MG RESISTOR	22K J 1/16W		R779	RK73HH1J473D	MG RESISTOR	47K D 1/16W	
R582	RK73HB1J000J	MG RESISTOR	0.0 J 1/16W		R780	RK73HH1J473D	MG RESISTOR	47K D 1/16W	
R583	RK73HB1J000J	MG RESISTOR	0.0 J 1/16W		R781	RK73HB1J104J	MG RESISTOR	100K J 1/16W	
R585	RK73HB1J564J	MG RESISTOR	560K J 1/16W		R782	RK73HB1J224J	MG RESISTOR	220K J 1/16W	
R586	RK73HB1J564J	MG RESISTOR	560K J 1/16W		R783	RK73HB1J333J	MG RESISTOR	33K J 1/16W	
R588	RK73FB2B000J	MG RESISTOR	0.0 J 1/8W		R784	RK73HB1J100J	MG RESISTOR	10 J 1/16W	
R652	RK73HB1J473J	MG RESISTOR	47K J 1/16W		R785	RK73HB1J000J	MG RESISTOR	0.0 J 1/16W	
R656	RK73HB1J100J	MG RESISTOR	10 J 1/16W		R786	RK73HB1J102J	MG RESISTOR	1.0K J 1/16W	
R658	RK73HB1J222J	MG RESISTOR	2.2K J 1/16W		R789	RK73HB1J102J	MG RESISTOR	1.0K J 1/16W	
R659	RK73HB1J000J	MG RESISTOR	0.0 J 1/16W		R792	RK73HB1J000J	MG RESISTOR	0.0 J 1/16W	
R660	RK73HB1J223J	MG RESISTOR	22K J 1/16W		R796	RK73HB1J333J	MG RESISTOR	33K J 1/16W	
R661	RK73HB1J101J	MG RESISTOR	100 J 1/16W		R797	RK73HB1J562J	MG RESISTOR	5.6K J 1/16W	
R700	RK73HB1J104J	MG RESISTOR	100K J 1/16W		R798	RK73HB1J102J	MG RESISTOR	1.0K J 1/16W	
R701	RK73HB1J101J	MG RESISTOR	100 J 1/16W		R799	RK73HB1J393J	MG RESISTOR	39K J 1/16W	
R702	RK73HB1J101J	MG RESISTOR	100 J 1/16W		R800	RK73HB1J333J	MG RESISTOR	33K J 1/16W	
R703	RK73HB1J102J	MG RESISTOR	1.0K J 1/16W		R802	RK73HB1J000J	MG RESISTOR	0.0 J 1/16W	
R704	RK73HB1J000J	MG RESISTOR	0.0 J 1/16W		R804	RK73HB1J104J	MG RESISTOR	100K J 1/16W	
R705	RK73HB1J000J	MG RESISTOR	0.0 J 1/16W		R805	RK73GB2A104J	MG RESISTOR	100K J 1/10W	

△ Symbol No.	Part No.	Part Name	Description	Local	△ Symbol No.	Part No.	Part Name	Description	Local
R807	RK73HB1J102J	MG RESISTOR	1.0K J 1/16W		R909	RK73HB1J473J	MG RESISTOR	47K J 1/16W	
R809	RK73HB1J103J	MG RESISTOR	10K J 1/16W		R910	RK73HB1J473J	MG RESISTOR	47K J 1/16W	
R811	RK73HB1J000J	MG RESISTOR	0.0 J 1/16W		R911	RK73HB1J473J	MG RESISTOR	47K J 1/16W	
R812	RK73HB1J000J	MG RESISTOR	0.0 J 1/16W		R912	RK73HB1J000J	MG RESISTOR	0.0 J 1/16W	
R813	RK73HB1J104J	MG RESISTOR	100K J 1/16W		R913	RK73HB1J102J	MG RESISTOR	1.0K J 1/16W	
R815	RK73HB1J102J	MG RESISTOR	1.0K J 1/16W		R914	RK73HB1J000J	MG RESISTOR	0.0 J 1/16W	
R816	RK73HB1J224J	MG RESISTOR	220K J 1/16W		R916	RK73HB1J000J	MG RESISTOR	0.0 J 1/16W	
R819	RK73HB1J104J	MG RESISTOR	100K J 1/16W		R917	RK73HB1J000J	MG RESISTOR	0.0 J 1/16W	
R820	RK73HB1J104J	MG RESISTOR	100K J 1/16W		R918	RK73HB1J000J	MG RESISTOR	0.0 J 1/16W	
R821	RK73HB1J000J	MG RESISTOR	0.0 J 1/16W		R919	RK73HB1J000J	MG RESISTOR	0.0 J 1/16W	
R822	RK73HB1J393J	MG RESISTOR	39K J 1/16W		R920	RK73HB1J000J	MG RESISTOR	0.0 J 1/16W	
R823	RK73HB1J104J	MG RESISTOR	100K J 1/16W		R921	RK73HB1J000J	MG RESISTOR	0.0 J 1/16W	
R824	RK73HB1J104J	MG RESISTOR	100K J 1/16W		R922	RK73HB1J000J	MG RESISTOR	0.0 J 1/16W	
R825	RK73GB2A100J	MG RESISTOR	10 J 1/10W		R923	RK73HB1J000J	MG RESISTOR	0.0 J 1/16W	
R826	RK73HB1J101J	MG RESISTOR	100 J 1/16W		R924	RK73HB1J000J	MG RESISTOR	0.0 J 1/16W	
R827	RK73HB1J104J	MG RESISTOR	100K J 1/16W		R925	RK73HB1J000J	MG RESISTOR	0.0 J 1/16W	
R828	RK73GB2A000J	MG RESISTOR	0.0 J 1/10W		R926	RK73HB1J103J	MG RESISTOR	10K J 1/16W	
R829	RK73HB1J472J	MG RESISTOR	4.7K J 1/16W		R927	RK73HB1J102J	MG RESISTOR	1.0K J 1/16W	
R830	RK73HB1J101J	MG RESISTOR	100 J 1/16W		R928	RK73HB1J103J	MG RESISTOR	10K J 1/16W	
R832	RK73HB1J473J	MG RESISTOR	47K J 1/16W		R929	RK73HB1J473J	MG RESISTOR	47K J 1/16W	
R833	RK73HB1J104J	MG RESISTOR	100K J 1/16W		R930	RK73HB1J473J	MG RESISTOR	47K J 1/16W	
R835	RK73HB1J101J	MG RESISTOR	100 J 1/16W		R931	RK73HB1J473J	MG RESISTOR	47K J 1/16W	
R836	RK73HB1J104J	MG RESISTOR	100K J 1/16W		R933	RK73HB1J000J	MG RESISTOR	0.0 J 1/16W	
R837	RK73HB1J473J	MG RESISTOR	47K J 1/16W		R934	RK73HB1J000J	MG RESISTOR	0.0 J 1/16W	
R840	RK73HB1J101J	MG RESISTOR	100 J 1/16W		R936	RK73HB1J000J	MG RESISTOR	0.0 J 1/16W	
R843	RK73HB1J000J	MG RESISTOR	0.0 J 1/16W		R938	RK73HB1J473J	MG RESISTOR	47K J 1/16W	
R846	RK73HB1J473J	MG RESISTOR	47K J 1/16W		R939	RK73HB1J473J	MG RESISTOR	47K J 1/16W	
R848	RK73HB1J000J	MG RESISTOR	0.0 J 1/16W		R940	RK73HB1J103J	MG RESISTOR	10K J 1/16W	
R849	RK73HB1J103J	MG RESISTOR	10K J 1/16W		R942	RK73HB1J472J	MG RESISTOR	4.7K J 1/16W	
R850	RK73HH1J124D	MG RESISTOR	120K D 1/16W		R943	RK73HB1J152J	MG RESISTOR	1.5K J 1/16W	
R854	RK73HH1J224D	MG RESISTOR	220K D 1/16W		R944	RK73HB1J472J	MG RESISTOR	4.7K J 1/16W	
R855	RK73HB1J820J	MG RESISTOR	82 J 1/16W		R946	RK73HB1J473J	MG RESISTOR	47K J 1/16W	
R857	RK73HB1J000J	MG RESISTOR	0.0 J 1/16W		R947	RK73HB1J473J	MG RESISTOR	47K J 1/16W	
R858	RK73HB1J682J	MG RESISTOR	6.8K J 1/16W		R948	RK73HB1J000J	MG RESISTOR	0.0 J 1/16W	
R859	RK73GB2A000J	MG RESISTOR	0.0 J 1/10W		R949	RK73HB1J472J	MG RESISTOR	4.7K J 1/16W	
R861	RK73HB1J472J	MG RESISTOR	4.7K J 1/16W		R950	RK73HB1J224J	MG RESISTOR	220K J 1/16W	
R863	RK73HB1J000J	MG RESISTOR	0.0 J 1/16W		R951	RK73HB1J224J	MG RESISTOR	220K J 1/16W	
R864	RK73HB1J222J	MG RESISTOR	2.2K J 1/16W		R952	RK73HB1J823J	MG RESISTOR	82K J 1/16W	
R865	RK73HB1J473J	MG RESISTOR	47K J 1/16W		R953	RK73HB1J823J	MG RESISTOR	82K J 1/16W	
R866	RK73HH1J334D	MG RESISTOR	330K D 1/16W		R954	RK73HB1J471J	MG RESISTOR	470 J 1/16W	
R867	RK73HH1J154D	MG RESISTOR	150K D 1/16W		R955	RK73HB1J222J	MG RESISTOR	2.2K J 1/16W	
R868	RK73HB1J332J	MG RESISTOR	3.3K J 1/16W		R956	RK73HB1J222J	MG RESISTOR	2.2K J 1/16W	
R870	RK73HB1J220J	MG RESISTOR	22 J 1/16W		R958	RK73HB1J104J	MG RESISTOR	100K J 1/16W	
R871	RK73HB1J474J	MG RESISTOR	470K J 1/16W		R959	RK73HB1J104J	MG RESISTOR	100K J 1/16W	
R872	RK73HB1J820J	MG RESISTOR	82 J 1/16W		R960	RK73HB1J102J	MG RESISTOR	1.0K J 1/16W	
R873	RK73HB1J000J	MG RESISTOR	0.0 J 1/16W		R961	RK73GB2A221J	MG RESISTOR	220 J 1/10W	
R875	RK73HB1J102J	MG RESISTOR	1.0K J 1/16W		R962	RK73HB1J391J	MG RESISTOR	390 J 1/16W	
R876	RK73HB1J473J	MG RESISTOR	47K J 1/16W		R964	RK73FB2B000J	MG RESISTOR	0.0 J 1/8W	
R877	RK73HB1J102J	MG RESISTOR	1.0K J 1/16W		R965	RK73GB2A473J	MG RESISTOR	47K J 1/10W	
R878	RK73HB1J102J	MG RESISTOR	1.0K J 1/16W		R966	RK73FB2B000J	MG RESISTOR	0.0 J 1/8W	
R879	RK73HB1J000J	MG RESISTOR	0.0 J 1/16W		R968	RK73GB2A334J	MG RESISTOR	330K J 1/10W	
R880	RK73HB1J000J	MG RESISTOR	0.0 J 1/16W		R969	RK73HB1J474J	MG RESISTOR	470K J 1/16W	
R881	RK73HB1J000J	MG RESISTOR	0.0 J 1/16W		R970	RK73HB1J564J	MG RESISTOR	560K J 1/16W	
R882	RK73HB1J473J	MG RESISTOR	47K J 1/16W		R971	RK73HB1J000J	MG RESISTOR	0.0 J 1/16W	
R883	RK73HB1J000J	MG RESISTOR	0.0 J 1/16W		R972	RK73HB1J104J	MG RESISTOR	100K J 1/16W	
R884	RK73HB1J000J	MG RESISTOR	0.0 J 1/16W		R973	RK73HB1J000J	MG RESISTOR	0.0 J 1/16W	
R885	RK73HB1J000J	MG RESISTOR	0.0 J 1/16W		R974	RK73HB1J474J	MG RESISTOR	470K J 1/16W	
R886	RK73HB1J000J	MG RESISTOR	0.0 J 1/16W		R975	RK73HB1J474J	MG RESISTOR	470K J 1/16W	
R888	RK73HB1J104J	MG RESISTOR	100K J 1/16W		R976	RK73HB1J473J	MG RESISTOR	47K J 1/16W	
R889	RK73HB1J123J	MG RESISTOR	12K J 1/16W		R977	RK73HB1J472J	MG RESISTOR	4.7K J 1/16W	
R890	RK73HB1J000J	MG RESISTOR	0.0 J 1/16W		R978	RK73HB1J103J	MG RESISTOR	10K J 1/16W	
R891	RK73HB1J105J	MG RESISTOR	1.0M J 1/16W		R979	RK73HB1J223J	MG RESISTOR	22K J 1/16W	
R892	RK73HB1J153J	MG RESISTOR	15K J 1/16W		R980	RK73HB1J000J	MG RESISTOR	0.0 J 1/16W	
R893	RK73HB1J102J	MG RESISTOR	1.0K J 1/16W		R983	RK73HB1J000J	MG RESISTOR	0.0 J 1/16W	
R895	RK73HB1J102J	MG RESISTOR	1.0K J 1/16W		R984	RK73GB2A000J	MG RESISTOR	0.0 J 1/10W	
R896	RK73HB1J222J	MG RESISTOR	2.2K J 1/16W		R985	RK73HB1J103J	MG RESISTOR	10K J 1/16W	
R897	RK73HB1J102J	MG RESISTOR	1.0K J 1/16W		R986	RK73HB1J102J	MG RESISTOR	1.0K J 1/16W	
R898	RK73GH2A134D	MG RESISTOR	130K D 1/10W		R987	RK73HB1J102J	MG RESISTOR	1.0K J 1/16W	
R899	RK73GH2A123D	MG RESISTOR	12K D 1/10W		R988	RK73HB1J102J	MG RESISTOR	1.0K J 1/16W	
R900	RK73HB1J000J	MG RESISTOR	0.0 J 1/16W		R989	RK73HB1J102J	MG RESISTOR	1.0K J 1/16W	
R901	RK73HB1J000J	MG RESISTOR	0.0 J 1/16W		R990	RK73HB1J474J	MG RESISTOR	470K J 1/16W	
R902	RK73HB1J000J	MG RESISTOR	0.0 J 1/16W		R991	RK73HB1J472J	MG RESISTOR	4.7K J 1/16W	
R903	RK73HB1J473J	MG RESISTOR	47K J 1/16W		R992	RK73HB1J472J	MG RESISTOR	4.7K J 1/16W	
R904	RK73HB1J104J	MG RESISTOR	100K J 1/16W		R993	RK73HB1J104J	MG RESISTOR	100K J 1/16W	
R905	RK73HB1J102J	MG RESISTOR	1.0K J 1/16W		R994	RK73HB1J000J	MG RESISTOR	0.0 J 1/16W	HK,HVK
R906	RK73HB1J103J	MG RESISTOR	10K J 1/16W		R996	RK73GB2A000J	MG RESISTOR	0.0 J 1/10W	
R907	RK73HB1J100J	MG RESISTOR	10 J 1/16W		R997	RK73HB1J101J	MG RESISTOR	100 J 1/16W	
R908	RK73HB1J473J	MG RESISTOR	47K J 1/16W		R998	RK73HB1J101J	MG RESISTOR	100 J 1/16W	

△ Symbol No.	Part No.	Part Name	Description	Local	△ Symbol No.	Part No.	Part Name	Description	Local
R999	RK73HB1J101J	MG RESISTOR	100 J 1/16W		F702	F53-0324-15	FUSE	(2.5A)	
L1	L41-4795-39	SMALL FIXED INDUCTOR (4.7UH)			F703	F53-0317-15	FUSE	(500MA)	
L2	L92-0442-05	CHIP FERRITE			F704	F53-0317-15	FUSE	(500MA)	
L4	L92-0443-05	CHIP FERRITE			J700	E58-0567-05	SUB SOCKET(D)		
L7	L40-1575-71	SMALL FIXED INDUCTOR (15NH)			J701	E1B-0001-00	3.5D PHONE JACK		
L8	L40-2775-71	SMALL FIXED INDUCTOR (27NH)			TH301	B57331V2104J	THERMISTOR		
L9	L40-4791-86	SMALL FIXED INDUCTOR (4.7UH)			TH302	B57331V2104J	THERMISTOR		
L11	L40-4791-86	SMALL FIXED INDUCTOR (4.7UH)			TH303	B57331V2104J	THERMISTOR		
L14	L40-1891-86	SMALL FIXED INDUCTOR (1.8UH)			TH502	NCP18WM474J0S	THERMISTOR		
L15	L92-0163-05	BEADS CORE			X1	L77-3128-05	TCXO	(16.8MHZ)	
L18	L92-0163-05	BEADS CORE			X700	L77-3129-05	TCXO	(19.2MHZ)	
L19	L40-1891-86	SMALL FIXED INDUCTOR (1.8UH)			XF500	L71-0684-05	MCF	(49.95MHZ)	
L20	L40-1891-86	SMALL FIXED INDUCTOR (1.8UH)							
L25	L40-1891-86	SMALL FIXED INDUCTOR (1.8UH)							
L26	L40-1001-86	SMALL FIXED INDUCTOR (10UH)							
L28	L92-0443-05	CHIP FERRITE							
L29	L40-1001-86	SMALL FIXED INDUCTOR (10UH)							
L30	L41-1588-14	SMALL FIXED INDUCTOR (157NH)							
L31	L41-1088-14	SMALL FIXED INDUCTOR (100NH)							
L32	L40-2702-86	SMALL FIXED INDUCTOR (27UH)							
L33	L40-2702-86	SMALL FIXED INDUCTOR (27UH)							
L37	L40-2702-86	SMALL FIXED INDUCTOR (27UH)							
L38	L40-2702-86	SMALL FIXED INDUCTOR (27UH)							
L39	L92-0443-05	CHIP FERRITE							
L40	L40-1085-71	SMALL FIXED INDUCTOR (100NH)							
L41	L40-1085-71	SMALL FIXED INDUCTOR (100NH)							
L300	L40-1575-71	SMALL FIXED INDUCTOR (15NH)							
L301	L40-1075-71	SMALL FIXED INDUCTOR (10NH)							
L302	L40-1275-92	SMALL FIXED INDUCTOR (12NH)							
L303	L40-8265-92	SMALL FIXED INDUCTOR (8.2NH)							
L304	L40-1285-92	SMALL FIXED INDUCTOR (120NH)							
L305	L40-4775-92	SMALL FIXED INDUCTOR (47NH)							
L307	L92-0179-05	CHIP FERRITE							
L308	L92-0179-05	CHIP FERRITE							
L309	L92-0179-05	CHIP FERRITE							
L310	L34-1039-05	AIR-CORE COIL							
L311	L34-4902-05	AIR-CORE COIL							
L312	L34-4903-05	AIR-CORE COIL							
L313	L34-4903-05	AIR-CORE COIL							
L314	L34-4903-05	AIR-CORE COIL							
L315	L34-4902-05	AIR-CORE COIL							
L316	L40-2775-71	SMALL FIXED INDUCTOR (27NH)							
L317	L40-2275-71	SMALL FIXED INDUCTOR (22NH)							
L500	L41-1885-53	SMALL FIXED INDUCTOR (0.18UH)							
L501	L40-1085-71	SMALL FIXED INDUCTOR (100NH)							
L502	L40-1591-86	SMALL FIXED INDUCTOR (1.5UH)							
L503	L41-4785-39	SMALL FIXED INDUCTOR (0.47UH)							
L504	L41-4785-39	SMALL FIXED INDUCTOR (0.47UH)							
L507	L41-5678-14	SMALL FIXED INDUCTOR (56NH)							
L509	L41-6878-45	SMALL FIXED INDUCTOR (68NH)							
L510	L40-2275-92	SMALL FIXED INDUCTOR (22NH)							
L512	L41-5678-14	SMALL FIXED INDUCTOR (56NH)							
L513	L41-5678-14	SMALL FIXED INDUCTOR (56NH)							
L516	L40-5675-92	SMALL FIXED INDUCTOR (56NH)							
L700	L92-0163-05	BEADS CORE							
L701	L92-0163-05	BEADS CORE							
L702	L92-0163-05	BEADS CORE							
L703	L92-0163-05	BEADS CORE							
L704	L92-0163-05	BEADS CORE							
L705	L92-0443-05	CHIP FERRITE							
L706	L92-0163-05	BEADS CORE							
L707	L92-0163-05	BEADS CORE							
L709	L92-0163-05	BEADS CORE							
L710	L92-0161-05	BEADS CORE							
CN700	E40-6847-05	FLAT CABLE CONNECTOR							
CP1	RK75HA1J101J	CHIP-COM	100 J 1/16W						
CP701	RK74HA1J104J	CHIP-COM	100K J 1/16W						
CP702	RK74HB1J104J	CHIP-COM	100K J 1/16W						
CP703	RK74HA1J104J	CHIP-COM	100K J 1/16W						
CP704	RK75HA1J473J	CHIP-COM	47K J 1/16W						
CP705	RK74HA1J102J	CHIP-COM	1.0K J 1/16W						
CP706	RK75HA1J473J	CHIP-COM	47K J 1/16W						
CP707	RK75HA1J102J	CHIP-COM	1.0K J 1/16W						
CP708	RK74HA1J102J	CHIP-COM	1.0K J 1/16W						
F700	F53-0324-15	FUSE	(2.5A)						
F701	F53-0327-15	FUSE	(4A)						