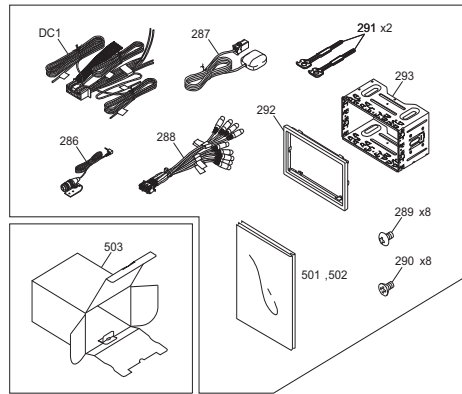
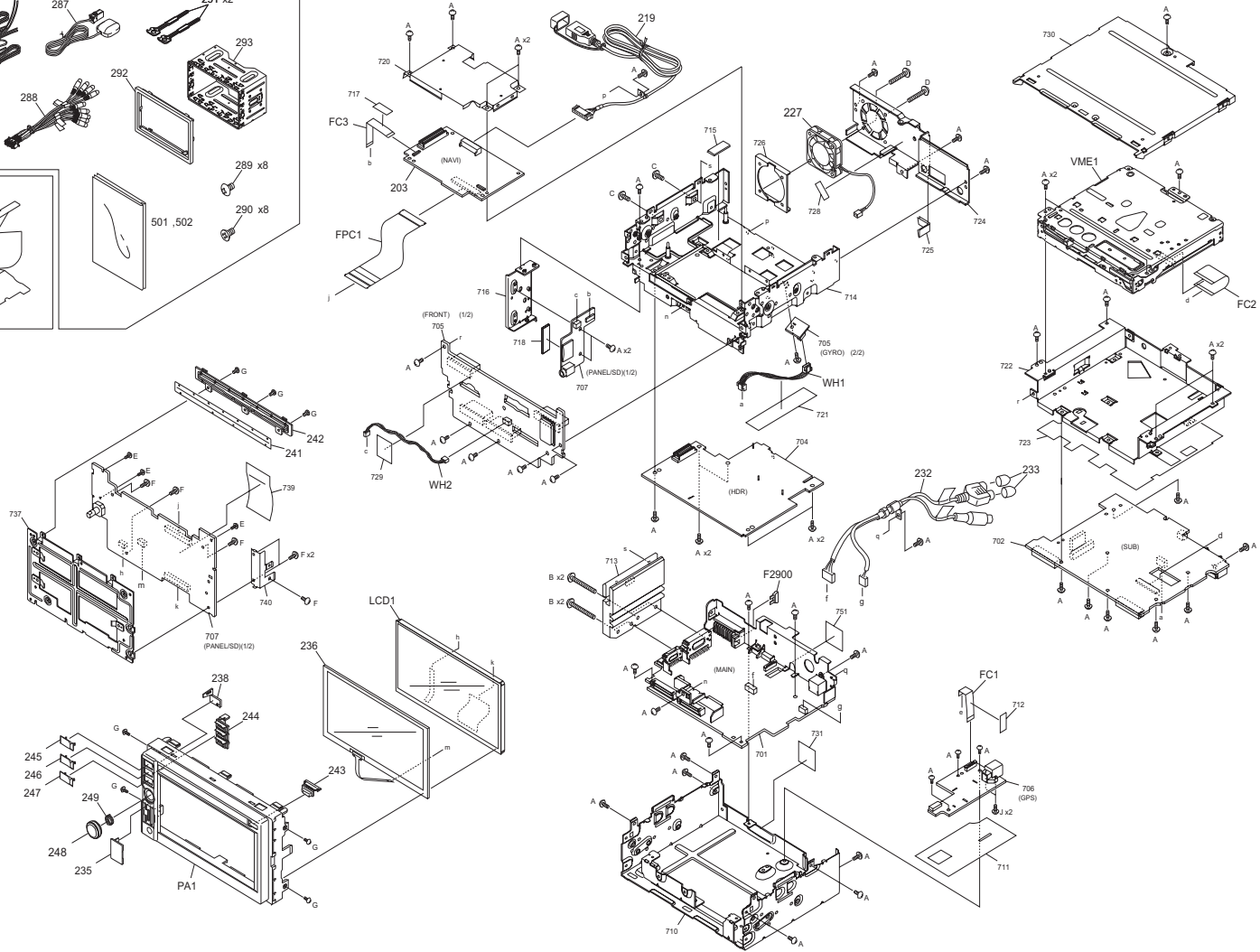


EXPLODED VIEW (UNIT)



Block No. M1MM



Parts with the exploded numbers larger than 700 are not supplied.

created date:2012-12-04

MODEL	MARK	MODEL	MARK
KW-NT310J	A	KW-NT510HDTJ	B

Safe	Symbol No.	Parts No.	Parts Name	Description	QTY	Local
EXPLODED VIEW (UNIT) <M1MM>						
	DC1	QAM1490-001	DC CORD		1	
	FC1	QUQY05-2005AC-E	FFC WIRE	20pin 5cm	1	
	FC2	QUQY05-5005BC-E	FFC WIRE	50pin 5cm	1	
	FC3	WJT0287-001A-E	E-CARD WIRE		1	
	FPC1	QAL1326-002	FPC		1	
	LCD1	QLD0676-001	LCD MODULE		1	
	PA1	LV22963-021A	FRONT PANEL ASSY		1	A
	PA1	LV22963-020A	FRONT PANEL ASSY		1	B
	VME1	FMU-XM5-11D	DVD MECHANISM		1	
	WH1	WJJ1247-003A-E	E-SI C WIRE C-C		1	
	WH2	WJJ1263-002A-E	E-SI C WIRE C-C		1	
	A	LV44800-002A	SPECIAL SCREW		53	
	B	QYSDST2620ZA	TAP SCREW	M2.6 x 20mm	4	
	C	QYSDSP3006ZA	SCREW	M3 x 6mm	2	
	D	LV45522-001A	SPECIAL SCREW		2	
	E	VKZ4777-012	SCREW		3	
	F	LV44615-003A	SPECIAL SCREW		6	
	G	LV44159-002A	MINI SCREW		7	
	J	QYSDSF3006ZA	TAP SCREW	M3 x 6mm	2	
	203	CB-NT510NAVIJD	NAVI BOARD ASSY		1	
	219	QAM1508-001	CAR CABLE(USB)		1	
△	227	QAR0521-001	COOLING FAN		1	
	232	QAM1437-001	CAR CABLE(SUB-W)		1	
	233	GE40101-001A	PIN CAP		2	
	235	LV22966-006A	CARD COVER		1	
	236	QAL1306-001	TOUCH PANEL		1	
	238	LV39593-001A	SLOT LENS		1	
	241	LV45664-001A	BLIND		1	
	242	LV22965-001A	BLIND COVER		1	
	243	LV39592-002A	EJECT BUTTON		1	
	244	LV22964-001A	BUTTON BASE		1	
	245	LV39589-002A	BUTTON TOP A		1	
	246	LV39590-002A	BUTTON TOP B		1	
	247	LV39591-002A	BUTTON TOP C		1	
	248	LV39597-003A	VOL KNOB ASSY		1	
	249	GE40127-006A	KNOB SPRING		1	
	286	QAN0109-001	MICROPHONE		1	
	287	QAL1471-001	ANTENNA(GPS)		1	
	288	QAM1435-001	CAR CABLE(AV)		1	
	289	QYSDSP5008ZA	SCREW	M5 x 8mm	8	
	290	QYSSSP5008ZA	SCREW	M5 x 8mm	8	
	291	LV45516-001A	LEVER		2	
	292	B07-3263-02	ESCUTCHEON		1	
	293	LV22876-001A	SLEEVE ASSY		1	
	501	LVT2408-001A	INST BOOK		1	
	502	LVT2408-002A	INSTALL MANUAL		1	
	503	LV3A098-001A	CARTON		1	A
	503	LV3A097-001A	CARTON		1	B
△	F2900	QMFZ064-150-J1	FUSE	15A	1	

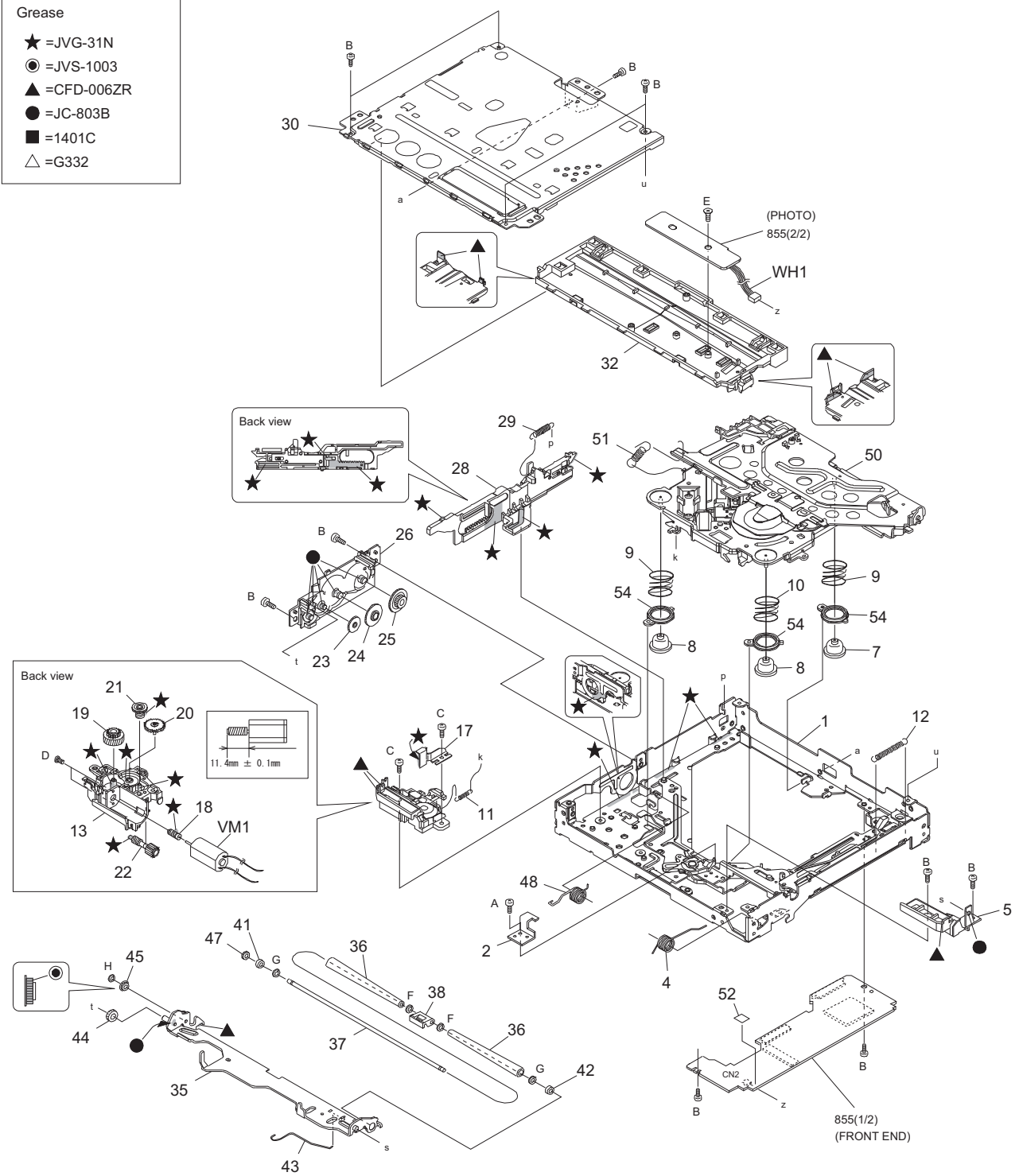
EXPLODED VIEW (DVD MECHANISM)

Block No.MJMM

FMU-XM5-11D

Grease

- ★ =JVG-31N
- =JVS-1003
- ▲ =CFD-006ZR
- =JC-803B
- =1401C
- △ =G332



Parts with the exploded numbers larger than 800 are not supplied.

MODEL	MARK	MODEL	MARK
KW-NT310J	A	KW-NT510HDTJ	B

Safe	Symbol No.	Parts No.	Parts Name	Description	QTY	Local
------	------------	-----------	------------	-------------	-----	-------

EXPLODED VIEW (DVD MECHANISM) (FMU-XM5-11D) <MJMM>

VM1		QAR0465-001	LOADING MOTOR		1	
WH1		WJM0515-001A-E	E-SI C WIRE C-F		1	
A		LV44959-002A	SPECIAL SCREW		1	
B		VKZ4539-054	MINI SCREW		11	
C		LV45135-001A	MINI TAP SCREW		2	
D		QYSPSPU1425MA	SCREW	M1.4 x 2.5mm	2	
E		LV44586-001A	SPECIAL SCREW		1	
F		LV45252-001A	WASHER		2	
G		LV44960-001A	SLIT WASHER		2	
H		QYWDL1735250	SLIT WASHER	3.5mm/1.7mm x 0.25mm	1	
1		LV11434-011A	FRAME UNIT		1	
2		LV45021-001A	STOPPER		1	
4		LV45249-002A	L A SPRING(R) 2		1	
5		LV37639-002A	L ARM HOLDER		1	
7		LV45639-002A	INSULATOR		1	
8		LV45639-001A	INSULATOR		2	
9		LV45074-001A	DAMPER SPRING B		2	
10		LV45073-001A	DAMPER SPRING A		1	
11		LV44897-002A	FLOATING SPRING		1	
12		LV44894-001A	LOCK SLIDER SPRING		1	
13		LV11436-001A	MOTOR HOLDER		1	
17		LV37642-001A	MOTOR TH SPRING		1	
18		LV37643-002A	MOTOR WORM GEAR		1	
19		LV37644-002A	M WHEEL GEAR		1	
20		LV37645-002A	M CONNECT GEAR		1	
21		LV37646-001A	A WORM GEAR		1	
22		LV37647-001A	A WHEEL GEAR		1	
23		LV37648-001A	ACT GEAR		1	
24		LV37649-001A	A CONNECT GAER		1	
25		LV37650-001A	LOAD GEAR		1	
26		LV22553-003A	GEAR BASE		1	
28		LV37688-002A	SLIDE CAM ASSY		1	
29		LV45090-001A	S.CAM SPRING		1	
30		LV11437-003A	TOP COVER		1	
32		LV11600-001A	DISC PLATE 2		1	
35		LV22735-001A	LOADING A AS 2		1	
36		LV44902-002A	ROLLER		2	
37		LV45244-001A	ROLLER SHAFT 2		1	
38		LV37652-002A	SHAFT GUIDE		1	
41		LV44904-001A	ROLLER COLLAR L		1	
42		LV45221-001A	R. COLLAR R2		1	
43		LV45235-001A	L ARM ROD		1	
44		LV37653-001A	CONNECT GEAR		1	
45		LV37654-001A	MIDDLE GEAR		1	
47		LV37655-001A	ROLLER GEAR		1	
48		LV45248-001A	L A SPRING(L) 2		1	
50		CM-FMUXM1D	TRA MECHA UNIT		1	
51		LV44910-002A	CLAMPER SPRING		1	
52		LV45289-002A	SPACER(P)		1	
54		LV39479-002A	INSULATOR CAP		3	

MODEL	MARK	MODEL	MARK
KW-NT310J	A	KW-NT510HDTJ	B

Safe	Symbol No.	Parts No.	Parts Name	Description	QTY	Local
HDR UNIT (LVA11116-0xA) <04>						
	IC101	SAF7741HV/N125	IC		1	
	IC111	TEF7000HN/V2S	IC		1	
	IC121	TEF7000HN/V2S	IC		1	B
	IC131	NJM2855DL1-33-X	IC		1	
	IC132	NJM2855DL1-18-X	IC		1	
	IC133	NJM2855DL1-05-X	IC		1	
	IC134	NJM2855DL1-33-X	IC		1	B
	IC135	MM1701CH-X	IC		1	B
△	IC151	SAF3560HV/V1103	IC		1	B
	IC161	A3V56S40FTP-G6	IC		1	B
	IC165	JVM636B	PROGRAMED IC		1	B
	Q1501	RT1N141U-X	DIGI TRANSISTOR		1	B
	D1151	1SS390-X	SI DIODE		1	A
	D1152	1SS390-X	SI DIODE		1	A
	D1201	1SS390-X	SI DIODE		1	B
	D1202	1SS390-X	SI DIODE		1	B
	C1001	NCB31CK-104X	C CAPACITOR	0.1uF 16V	1	
	C1004	NDC31HJ-8R0X	C CAPACITOR	8pF 50V J	1	
	C1005	NDC31HJ-6R0X	C CAPACITOR	6pF 50V J	1	
	C1006	NCBA1CK-103W	C CAPACITOR	0.01uF 16V K	1	
	C1007	NEAF0JM-226X	E CAPACITOR	22uF 6.3V M	1	
	C1008	NCB31CK-104X	C CAPACITOR	0.1uF 16V	1	
	C1010	NCB31CK-104X	C CAPACITOR	0.1uF 16V	1	
	C1012	NCB31CK-104X	C CAPACITOR	0.1uF 16V	1	
	C1013	NEAF0JM-107X	E CAPACITOR	100uF 6.3V M	1	
	C1014	NEAF0JM-107X	E CAPACITOR	100uF 6.3V M	1	
	C1015	NCB31CK-104X	C CAPACITOR	0.1uF 16V	1	
	C1016	NCB31CK-104X	C CAPACITOR	0.1uF 16V	1	
	C1017	NCB31HK-223X	C CAPACITOR	0.022uF 50V K	1	
	C1018	NCB31CK-104X	C CAPACITOR	0.1uF 16V	1	
	C1019	NCB31CK-104X	C CAPACITOR	0.1uF 16V	1	
	C1020	NCB31HK-332X	C CAPACITOR	3300pF 50V K	1	
	C1021	NCB31HK-332X	C CAPACITOR	3300pF 50V K	1	
	C1022	NEAF0JM-227X	E CAPACITOR	220uF 6.3V M	1	
	C1023	NCB31HK-471X	C CAPACITOR	470pF 50V K	1	
	C1024	NCB31HK-471X	C CAPACITOR	470pF 50V K	1	
	C1025	NCB31HK-332X	C CAPACITOR	3300pF 50V K	1	
	C1026	NCB31HK-332X	C CAPACITOR	3300pF 50V K	1	
	C1027	NCB31HK-332X	C CAPACITOR	3300pF 50V K	1	
	C1028	NCB31HK-332X	C CAPACITOR	3300pF 50V K	1	
	C1029	NCB31CK-104X	C CAPACITOR	0.1uF 16V	1	
	C1031	NCB31CK-104X	C CAPACITOR	0.1uF 16V	1	
	C1032	NCB31CK-104X	C CAPACITOR	0.1uF 16V	1	
	C1033	NCB31HK-223X	C CAPACITOR	0.022uF 50V K	1	
	C1034	NCJ11EK-106X-R	C CAPACITOR	10uF 25V	1	
	C1035	NCB31HK-223X	C CAPACITOR	0.022uF 50V K	1	
	C1036	NCJ11EK-106X-R	C CAPACITOR	10uF 25V	1	
	C1037	NCB31CK-104X	C CAPACITOR	0.1uF 16V	1	
	C1038	NCB31HK-223X	C CAPACITOR	0.022uF 50V K	1	
	C1039	NCB31CK-104X	C CAPACITOR	0.1uF 16V	1	
	C1040	NEAF0JM-107X	E CAPACITOR	100uF 6.3V M	1	
	C1041	NCB31CK-104X	C CAPACITOR	0.1uF 16V	1	
	C1042	NDC31HJ-101X	C CAPACITOR	100pF 50V J	1	
	C1043	NCB31CK-105X	C CAPACITOR	1uF 16V K	1	
	C1045	NCB31CK-105X	C CAPACITOR	1uF 16V K	1	
	C1047	NCB31CK-105X	C CAPACITOR	1uF 16V K	1	
	C1049	NCJ41CK-476X-A	C CAPACITOR	47uF 16V K	1	
	C1050	NCB31CK-104X	C CAPACITOR	0.1uF 16V	1	
	C1101	NCB31HK-102X	C CAPACITOR	1000pF 50V K	1	
	C1102	NDC31HJ-4R0X	C CAPACITOR	4pF 50V J	1	
	C1103	NDC31HJ-120X	C CAPACITOR	12pF 50V J	1	
	C1104	NDC31HJ-3R3X	C CAPACITOR	3.3pF 50V J	1	
	C1106	NCB31HK-102X	C CAPACITOR	1000pF 50V K	1	
	C1107	NCBA1HK-102W	C CAPACITOR	1000pF 50V K	1	
	C1109	NCB31HK-102X	C CAPACITOR	1000pF 50V K	1	
	C1111	NCB31HK-392X	C CAPACITOR	3900pF 50V K	1	
	C1113	NCBA1CK-103W	C CAPACITOR	0.01uF 16V K	1	
	C1114	NCBA1CK-103W	C CAPACITOR	0.01uF 16V K	1	
	C1121	NCB31HK-223X	C CAPACITOR	0.022uF 50V K	1	
	C1122	NCB31HK-223X	C CAPACITOR	0.022uF 50V K	1	
	C1123	NCB31HK-223X	C CAPACITOR	0.022uF 50V K	1	
	C1124	NCB31HK-223X	C CAPACITOR	0.022uF 50V K	1	
	C1131	NDC31HJ-101X	C CAPACITOR	100pF 50V J	1	
	C1137	NCB31CK-224X	C CAPACITOR	0.22uF 16V K	1	
	C1138	NCB31HK-223X	C CAPACITOR	0.022uF 50V K	1	
	C1139	NCBA1HK-102W	C CAPACITOR	1000pF 50V K	1	
	C1143	NCB31HK-223X	C CAPACITOR	0.022uF 50V K	1	
	C1144	NCBA1HK-331W	C CAPACITOR	330pF 50V K	1	
	C1145	NDCA1HJ-2R0W	C CAPACITOR	2pF 50V J	1	
	C1147	NDC31HJ-3R3X	C CAPACITOR	3.3pF 50V J	1	
	C1148	NDC31HJ-3R3X	C CAPACITOR	3.3pF 50V J	1	
	C1151	NDC31HJ-150X	C CAPACITOR	15pF 50V J	1	A
	C1152	NDC31HJ-220X	C CAPACITOR	22pF 50V J	1	A
	C1153	NCB31HK-221X	C CAPACITOR	220pF 50V K	1	A
	C1154	NCB31HK-102X	C CAPACITOR	1000pF 50V K	1	A
	C1201	NDC31HJ-150X	C CAPACITOR	15pF 50V J	1	B
	C1202	NDC31HJ-220X	C CAPACITOR	22pF 50V J	1	B
	C1203	NCB31HK-221X	C CAPACITOR	220pF 50V K	1	B
	C1204	NCB31HK-102X	C CAPACITOR	1000pF 50V K	1	B
	C1206	NCB31HK-102X	C CAPACITOR	1000pF 50V K	1	B
	C1207	NCBA1HK-102W	C CAPACITOR	1000pF 50V K	1	B

MODEL	MARK	MODEL	MARK
KW-NT310J	A	KW-NT510HDTJ	B

Safe	Symbol No.	Parts No.	Parts Name	Description	QTY	Local
	C1221	NCB31HK-223X	C CAPACITOR	0.022uF 50V K	1	B
	C1222	NCB31HK-223X	C CAPACITOR	0.022uF 50V K	1	B
	C1223	NCB31HK-223X	C CAPACITOR	0.022uF 50V K	1	B
	C1224	NCB31HK-223X	C CAPACITOR	0.022uF 50V K	1	B
	C1237	NCB31CK-224X	C CAPACITOR	0.22uF 16V K	1	B
	C1238	NCB31HK-223X	C CAPACITOR	0.022uF 50V K	1	B
	C1239	NCBA1HK-102W	C CAPACITOR	1000pF 50V K	1	B
	C1243	NCB31HK-223X	C CAPACITOR	0.022uF 50V K	1	B
	C1244	NCBA1HK-332W	C CAPACITOR	3300pF 50V K	1	B
	C1245	NDCA1HJ-2R0W	C CAPACITOR	2pF 50V J	1	B
	C1247	NCB31HK-102X	C CAPACITOR	1000pF 50V K	1	B
	C1248	NCB31HK-102X	C CAPACITOR	1000pF 50V K	1	B
	C1311	NCB31CK-104X	C CAPACITOR	0.1uF 16V	1	B
	C1312	NCJ41CK-476X-A	C CAPACITOR	47uF 16V K	1	B
	C1313	NCB31CK-104X	C CAPACITOR	0.1uF 16V	1	B
	C1314	NCJ41CK-476X-A	C CAPACITOR	47uF 16V K	1	B
	C1321	NCB31CK-104X	C CAPACITOR	0.1uF 16V	1	B
	C1322	NCB31CK-104X	C CAPACITOR	0.1uF 16V	1	B
	C1323	NCJ41CK-476X-A	C CAPACITOR	47uF 16V K	1	B
	C1333	NCJ21CK-106X-R	C CAPACITOR	10uF 16V K	1	B
	C1334	NCB31CK-104X	C CAPACITOR	0.1uF 16V	1	B
	C1335	NCJ41CK-476X-A	C CAPACITOR	47uF 16V K	1	B
	C1336	NCJ41CK-476X-A	C CAPACITOR	47uF 16V K	1	B
	C1341	NCJ41CK-476X-A	C CAPACITOR	47uF 16V K	1	B
	C1342	NCB31CK-104X	C CAPACITOR	0.1uF 16V	1	B
	C1343	NCJ41CK-476X-A	C CAPACITOR	47uF 16V K	1	B
	C1344	NCB31CK-104X	C CAPACITOR	0.1uF 16V	1	B
	C1352	NCB31CK-104X	C CAPACITOR	0.1uF 16V	1	B
	C1353	NCJ41CK-476X-A	C CAPACITOR	47uF 16V K	1	B
	C1354	NCB31CK-104X	C CAPACITOR	0.1uF 16V	1	B
	C1356	NCBA1CK-103W	C CAPACITOR	0.01uF 16V K	1	B
	C1501	NCB31CK-105X	C CAPACITOR	1uF 16V K	1	B
	C1502	NCB31HK-471X	C CAPACITOR	470pF 50V K	1	B
	C1505	NCB31CK-105X	C CAPACITOR	1uF 16V K	1	B
	C1506	NCB31CK-105X	C CAPACITOR	1uF 16V K	1	B
	C1507	NCB31CK-105X	C CAPACITOR	1uF 16V K	1	B
	C1508	NCB31CK-105X	C CAPACITOR	1uF 16V K	1	B
	C1509	NCB31CK-105X	C CAPACITOR	1uF 16V K	1	B
	C1510	NCB31CK-105X	C CAPACITOR	1uF 16V K	1	B
	C1511	NCB31CK-105X	C CAPACITOR	1uF 16V K	1	B
	C1512	NCB31CK-105X	C CAPACITOR	1uF 16V K	1	B
	C1513	NDC31HJ-270X	C CAPACITOR	27pF 50V J	1	B
	C1514	NDC31HJ-270X	C CAPACITOR	27pF 50V J	1	B
	C1515	NDC31HJ-270X	C CAPACITOR	27pF 50V J	1	B
	C1516	NDC31HJ-270X	C CAPACITOR	27pF 50V J	1	B
	C1517	NDC31HJ-270X	C CAPACITOR	27pF 50V J	1	B
	C1518	NDC31HJ-270X	C CAPACITOR	27pF 50V J	1	B
	C1519	NDC31HJ-270X	C CAPACITOR	27pF 50V J	1	B
	C1520	NDC31HJ-270X	C CAPACITOR	27pF 50V J	1	B
	C1521	NCB31CK-105X	C CAPACITOR	1uF 16V K	1	B
	C1522	NCB31CK-105X	C CAPACITOR	1uF 16V K	1	B
	C1523	NDC31HJ-270X	C CAPACITOR	27pF 50V J	1	B
	C1524	NDC31HJ-270X	C CAPACITOR	27pF 50V J	1	B
	C1525	NDC31HJ-270X	C CAPACITOR	27pF 50V J	1	B
	C1526	NDC31HJ-270X	C CAPACITOR	27pF 50V J	1	B
	C1527	NCB31CK-105X	C CAPACITOR	1uF 16V K	1	B
	C1528	NCB31CK-105X	C CAPACITOR	1uF 16V K	1	B
	C1529	NCB31CK-105X	C CAPACITOR	1uF 16V K	1	B
	C1530	NCB31CK-105X	C CAPACITOR	1uF 16V K	1	B
	C1531	NCB31CK-105X	C CAPACITOR	1uF 16V K	1	B
	C1532	NCB31CK-105X	C CAPACITOR	1uF 16V K	1	B
	C1533	NCB31CK-105X	C CAPACITOR	1uF 16V K	1	B
	C1534	NCB31CK-105X	C CAPACITOR	1uF 16V K	1	B
	C1535	NCB31CK-105X	C CAPACITOR	1uF 16V K	1	B
	C1536	NCB31CK-105X	C CAPACITOR	1uF 16V K	1	B
	C1537	NCB31CK-105X	C CAPACITOR	1uF 16V K	1	B
	C1538	NCB31CK-105X	C CAPACITOR	1uF 16V K	1	B
	C1539	NCB31CK-105X	C CAPACITOR	1uF 16V K	1	B
	C1540	NCB31CK-105X	C CAPACITOR	1uF 16V K	1	B
	C1541	NCB31CK-105X	C CAPACITOR	1uF 16V K	1	B
	C1542	NCB31CK-105X	C CAPACITOR	1uF 16V K	1	B
	C1543	NCB31CK-105X	C CAPACITOR	1uF 16V K	1	B
	C1544	NCB31CK-105X	C CAPACITOR	1uF 16V K	1	B
	C1545	NCB31CK-105X	C CAPACITOR	1uF 16V K	1	B
	C1546	NDC31HJ-3R0X	C CAPACITOR	3pF 50V J	1	B
	C1547	NDC31HJ-3R0X	C CAPACITOR	3pF 50V J	1	B
	C1548	NCB31CK-105X	C CAPACITOR	1uF 16V K	1	B
	C1601	NCB31CK-105X	C CAPACITOR	1uF 16V K	1	B
	C1602	NCB31CK-105X	C CAPACITOR	1uF 16V K	1	B
	C1603	NCB31CK-105X	C CAPACITOR	1uF 16V K	1	B
	C1604	NCB31CK-105X	C CAPACITOR	1uF 16V K	1	B
	C1605	NCB31CK-105X	C CAPACITOR	1uF 16V K	1	B
	C1606	NCB31CK-105X	C CAPACITOR	1uF 16V K	1	B
	C1607	NCB31CK-105X	C CAPACITOR	1uF 16V K	1	B
	C1651	NCB31CK-105X	C CAPACITOR	1uF 16V K	1	B
	R1001	NRSA63J-220X	MG RESISTOR	22Ω 1/16W J	1	A
	R1002	NRSA63J-101X	MG RESISTOR	100Ω 1/16W J	1	A
	R1003	NRSA63J-100X	MG RESISTOR	10Ω 1/16W J	1	A
	R1007	NRSA63J-101X	MG RESISTOR	100Ω 1/16W J	1	A
	R1008	NRSA63J-101X	MG RESISTOR	100Ω 1/16W J	1	A
	R1011	NRSA63J-103X	MG RESISTOR	10kΩ 1/16W J	1	A
	R1013	NRSA63J-102X	MG RESISTOR	1kΩ 1/16W J	1	A

MODEL	MARK	MODEL	MARK
KW-NT310J	A	KW-NT510HDTJ	B

Safe	Symbol No.	Parts No.	Parts Name	Description	QTY	Local
	R1014	NRSA63J-103X	MG RESISTOR	10kΩ 1/16W J	1	
	R1015	NRSA63J-101X	MG RESISTOR	100Ω 1/16W J	1	
	R1016	NRSA63J-101X	MG RESISTOR	100Ω 1/16W J	1	
	R1017	NRSA63J-102X	MG RESISTOR	1kΩ 1/16W J	1	B
	R1018	NRSA63J-102X	MG RESISTOR	1kΩ 1/16W J	1	B
	R1019	NRSA63J-102X	MG RESISTOR	1kΩ 1/16W J	1	B
	R1020	NRSA63J-101X	MG RESISTOR	100Ω 1/16W J	1	B
	R1021	NRSA63J-103X	MG RESISTOR	10kΩ 1/16W J	1	A
	R1022	NRSA63J-101X	MG RESISTOR	100Ω 1/16W J	1	B
	R1023	NRSA63J-101X	MG RESISTOR	100Ω 1/16W J	1	B
	R1024	NRSA63J-101X	MG RESISTOR	100Ω 1/16W J	1	B
	R1025	NRSA63J-101X	MG RESISTOR	100Ω 1/16W J	1	B
	R1026	NRSA63J-101X	MG RESISTOR	100Ω 1/16W J	1	B
	R1027	NRSA63J-101X	MG RESISTOR	100Ω 1/16W J	1	B
	R1028	NRSA63J-101X	MG RESISTOR	100Ω 1/16W J	1	B
	R1029	NRSA63J-101X	MG RESISTOR	100Ω 1/16W J	1	B
	R1030	NRSA63J-103X	MG RESISTOR	10kΩ 1/16W J	1	B
	R1031	NRSA63J-103X	MG RESISTOR	10kΩ 1/16W J	1	B
	R1032	NRSA63J-103X	MG RESISTOR	10kΩ 1/16W J	1	
	R1033	NRSA63J-103X	MG RESISTOR	10kΩ 1/16W J	1	
	R1034	NRSA63J-103X	MG RESISTOR	10kΩ 1/16W J	1	
	R1035	NRSA63J-103X	MG RESISTOR	10kΩ 1/16W J	1	B
	R1101	NRSA63J-474X	MG RESISTOR	470kΩ 1/16W J	1	
	R1102	NRSA63J-474X	MG RESISTOR	470kΩ 1/16W J	1	
	R1103	NRSA63J-560X	MG RESISTOR	56Ω 1/16W J	1	
	R1128	NRSA63J-0R0X	MG RESISTOR	0Ω 1/10W J	1	A
	R1128	NRSA63J-181X	MG RESISTOR	180Ω 1/16W J	1	B
	R1129	NRSA63J-0R0X	MG RESISTOR	0Ω 1/10W J	1	A
	R1129	NRSA63J-181X	MG RESISTOR	180Ω 1/16W J	1	B
	R1131	NRSA63J-101X	MG RESISTOR	100Ω 1/16W J	1	
	R1132	NRSA63J-0R0X	MG RESISTOR	0Ω 1/10W J	1	
	R1143	NRSA6AJ-392W	MG RESISTOR	3.9kΩ 1/16W J	1	
	R1144	NRSA6AJ-223W	MG RESISTOR	22kΩ 1/16W J	1	
	R1151	NRSA63J-331X	MG RESISTOR	330Ω 1/16W J	1	A
	R1152	NRSA63J-181X	MG RESISTOR	180Ω 1/16W J	1	A
	R1201	NRSA63J-331X	MG RESISTOR	330Ω 1/16W J	1	B
	R1202	NRSA63J-181X	MG RESISTOR	180Ω 1/16W J	1	B
	R1228	NRSA63J-181X	MG RESISTOR	180Ω 1/16W J	1	B
	R1229	NRSA63J-181X	MG RESISTOR	180Ω 1/16W J	1	B
	R1231	NRSA63J-101X	MG RESISTOR	100Ω 1/16W J	1	B
	R1232	NRSA63J-101X	MG RESISTOR	100Ω 1/16W J	1	B
	R1243	NRSA6AJ-392W	MG RESISTOR	3.9kΩ 1/16W J	1	B
	R1245	NRSA6AJ-223W	MG RESISTOR	22kΩ 1/16W J	1	B
	R1311	NRSA63J-331X	MG RESISTOR	330Ω 1/16W J	1	
	R1321	NRSA63J-272X	MG RESISTOR	2.7kΩ 1/16W J	1	
	R1341	NRSA63J-222X	MG RESISTOR	2.2kΩ 1/16W J	1	B
	R1351	NRSA63J-222X	MG RESISTOR	2.2kΩ 1/16W J	1	B
	R1501	NRSA63J-103X	MG RESISTOR	10kΩ 1/16W J	1	B
	R1502	NRSA63J-470X	MG RESISTOR	47Ω 1/16W J	1	B
	R1504	NRSA63J-470X	MG RESISTOR	47Ω 1/16W J	1	B
	R1506	NRSA63J-0R0X	MG RESISTOR	0Ω 1/10W J	1	B
	R1507	NRSA63J-0R0X	MG RESISTOR	0Ω 1/10W J	1	B
	R1508	NRSA63J-0R0X	MG RESISTOR	0Ω 1/10W J	1	B
	R1509	NRSA63J-103X	MG RESISTOR	10kΩ 1/16W J	1	B
	R1510	NRSA63J-0R0X	MG RESISTOR	0Ω 1/10W J	1	B
	R1511	NRSA63J-103X	MG RESISTOR	10kΩ 1/16W J	1	B
	R1512	NRSA63J-0R0X	MG RESISTOR	0Ω 1/10W J	1	B
	R1513	NRSA63J-0R0X	MG RESISTOR	0Ω 1/10W J	1	B
	R1514	NRSA63J-0R0X	MG RESISTOR	0Ω 1/10W J	1	B
	R1515	NRSA63J-103X	MG RESISTOR	10kΩ 1/16W J	1	B
	R1516	NRSA63J-0R0X	MG RESISTOR	0Ω 1/10W J	1	B
	R1517	NRSA63J-103X	MG RESISTOR	10kΩ 1/16W J	1	B
	R1518	NRSA63J-101X	MG RESISTOR	100Ω 1/16W J	1	B
	R1519	NRSA63J-0R0X	MG RESISTOR	0Ω 1/10W J	1	B
	R1520	NRSA63J-0R0X	MG RESISTOR	0Ω 1/10W J	1	B
	R1521	NRSA63J-101X	MG RESISTOR	100Ω 1/16W J	1	B
	R1601	NRSA63J-470X	MG RESISTOR	47Ω 1/16W J	1	B
	R1602	NRSA6AJ-470W	MG RESISTOR	47Ω 1/16W J	1	B
	R1603	NRSA63J-101X	MG RESISTOR	100Ω 1/16W J	1	B
	R1604	NRSA63J-470X	MG RESISTOR	47Ω 1/16W J	1	B
	R1651	NRSA63J-103X	MG RESISTOR	10kΩ 1/16W J	1	B
	R1653	NRSA63J-103X	MG RESISTOR	10kΩ 1/16W J	1	B
	R1901	NRSA63J-0R0X	MG RESISTOR	0Ω 1/10W J	1	
	R1902	NRSA63J-0R0X	MG RESISTOR	0Ω 1/10W J	1	
	R1903	NRSA63J-0R0X	MG RESISTOR	0Ω 1/10W J	1	A
	R1905	NRSA63J-472X	MG RESISTOR	4.7kΩ 1/16W J	1	
	R1906	NRSA63J-472X	MG RESISTOR	4.7kΩ 1/16W J	1	B
	R1907	NRSA63J-101X	MG RESISTOR	100Ω 1/16W J	1	B
	R1908	NRSA63J-101X	MG RESISTOR	100Ω 1/16W J	1	B
	R1909	NRSA63J-101X	MG RESISTOR	100Ω 1/16W J	1	B
	R1910	NRSA63J-101X	MG RESISTOR	100Ω 1/16W J	1	B
	R1911	NRSA63J-101X	MG RESISTOR	100Ω 1/16W J	1	B
	R1912	NRSA63J-101X	MG RESISTOR	100Ω 1/16W J	1	B
	R1913	NRSA63J-101X	MG RESISTOR	100Ω 1/16W J	1	B
	R1914	NRSA63J-101X	MG RESISTOR	100Ω 1/16W J	1	B
	RA151	NRB04CJ-470W	NET RESISTOR	47Ω J	1	B
	RA152	NRB04CJ-470W	NET RESISTOR	47Ω J	1	B
	RA153	NRB04CJ-470W	NET RESISTOR	47Ω J	1	B
	RA161	NRB04CJ-470W	NET RESISTOR	47Ω J	1	B
	RA162	NRB04CJ-470W	NET RESISTOR	47Ω J	1	B
	RA163	NRB04CJ-470W	NET RESISTOR	47Ω J	1	B
	RA164	NRB04CJ-470W	NET RESISTOR	47Ω J	1	B
	RA165	NRB04CJ-470W	NET RESISTOR	47Ω J	1	B

MODEL	MARK	MODEL	MARK
KW-NT310J	A	KW-NT510HDTJ	B

Safe	Symbol No.	Parts No.	Parts Name	Description	QTY	Local
	RA166	NRB04CJ-470W	NET RESISTOR	47Ω J	1	B
	RA167	NRB04CJ-470W	NET RESISTOR	47Ω J	1	B
	RA168	NRB04CJ-470W	NET RESISTOR	47Ω J	1	B
	RA169	NRB04CJ-470W	NET RESISTOR	47Ω J	1	B
	L1001	NQL093K-2R2X	P COIL	2.2uH K	1	
	L1002	NRSA63J-0R0X	MG RESISTOR	0Ω 1/10W J	1	
	L1003	NRSA63J-0R0X	MG RESISTOR	0Ω 1/10W J	1	
	L1004	NRSA63J-0R0X	MG RESISTOR	0Ω 1/10W J	1	
	L1005	NRSA63J-0R0X	MG RESISTOR	0Ω 1/10W J	1	
	L1006	NRSA63J-0R0X	MG RESISTOR	0Ω 1/10W J	1	
	L1007	NRSA63J-0R0X	MG RESISTOR	0Ω 1/10W J	1	
	L1101	NQL093K-4R7X	P COIL	4.7uH K	1	
	L1102	NQL093K-R47X	P COIL	0.47uH K	1	
	L1103	NQL093K-1R8X	P COIL	1.8uH K	1	
	L1104	NQL093K-R22X	P COIL	0.22uH K	1	
	L1113	NQL114K-331X	P COIL	330uH K	1	
	L1114	NQL114K-331X	P COIL	330uH K	1	
	L1151	NQLZ017-R21X	COIL	0.21uH	1	A
	L1171	NQL093K-R39X	P COIL	0.39uH K	1	B
	L1201	NQLZ017-R21X	COIL	0.21uH	1	B
	T1151	NQR0696-001X	RF COIL		1	A
	T1201	NQR0696-001X	RF COIL		1	B
	CN191	QGB0815J3-40X	CONNECTOR	B-B (1-40)	1	
	J1101	QNB0348-001	ANT TERMINAL		1	
	K1101	NQR0689-001X	FERRITE BEADS		1	
	VA102	NAF0024-001X	ESD SUPPRESSOR		1	
	X1001	NAX1173-001X	CRYSTAL		1	
	X1501	NAX1116-001X	CRYSTAL		1	B
MAIN UNIT (LVA11163-0xA) <01>						
	IC201	JVM633B	IC(MCU)		1	A
	IC201	JVM632B	IC(MCU)		1	B
	IC202	XC6120N282NG-X	IC		1	
	IC203	R1EX24032ASAA-X	IC		1	
	IC204	NJM2871BF33-X	IC		1	
	IC232	TB2931HQ	IC		1	
	IC241	TDA7716N	IC		1	
	IC245	NJM4580E-X	IC		1	
	IC251	AK7601AVQ-W	IC		1	
	IC255	XC6216C202PG-X	IC		1	
	IC256	NJM2871BF33-X	IC		1	
	IC264	TC7WT126FU-X	IC		1	
	IC271	RT3J33M-X	MOS FET ARRAY		1	
	IC272	JVM565B	IC(MCU)		1	
	IC281	NJM2871BF33-X	IC		1	
	IC291	LV5680NPVC	IC		1	
	IC295	NJM2903V-X	IC		1	
	IC296	TC7WH241FU-X	IC		1	
	Q2002	RT1N441C-X	TRANSISTOR		1	
	Q2003	DTC114YUA-X	DIGI TRANSISTOR		1	
	Q2303	2SC1623A/5-6/-X	TRANSISTOR		1	
	Q2304	RT1P141C-X	DIGI TRANSISTOR		1	
	Q2305	RT1P141C-X	DIGI TRANSISTOR		1	
	Q2306	RT1N141C-X	DIGI TRANSISTOR		1	
	Q2307	RT1P141C-X	DIGI TRANSISTOR		1	
	Q2311	RT1P141C-X	DIGI TRANSISTOR		1	
	Q2312	RT1N141C-X	DIGI TRANSISTOR		1	
	Q2405	RT1N141C-X	DIGI TRANSISTOR		1	
	Q2471	IMX9-W	PAIR TRANSISTOR		1	
	Q2711	RT1N144U-X	DIGI TRANSISTOR		1	
	Q2901	RT1P144C-X	DIGI TRANSISTOR		1	
	Q2903	RT1N241C-X	DIGI TRANSISTOR		1	
	Q2904	RT1N241C-X	DIGI TRANSISTOR		1	
	Q2961	DSC5001/RS/-X	TRANSISTOR		1	
	Q2962	DSC5001/RS/-X	TRANSISTOR		1	
	D2001	CRS03-W	SB DIODE		1	
	D2002	CRS03-W	SB DIODE		1	
	D2004	1SS355W-X	DIODE		1	
	D2005	CRS03-W	SB DIODE		1	
	D2006	CRS03-W	SB DIODE		1	
	D2302	RKZ9.1B2KG-X	Z DIODE		1	
	D2303	1SS355W-X	DIODE		1	
	D2304	1SS355W-X	DIODE		1	
	D2451	RKZ4.7B2KG-X	Z DIODE		1	
	D2452	RKZ4.7B2KG-X	Z DIODE		1	
	D2471	1SS355W-X	DIODE		1	
	D2472	1SS355W-X	DIODE		1	
	D2511	RKZ6.8B2KG-X	Z DIODE		1	
	D2512	RKZ6.8B2KG-X	Z DIODE		1	
	D2513	RKZ6.8B2KG-X	Z DIODE		1	
	D2514	RKZ6.8B2KG-X	Z DIODE		1	
	D2515	RKZ6.8B2KG-X	Z DIODE		1	
	D2516	RKZ6.8B2KG-X	Z DIODE		1	
	D2641	RKZ6.2B2KG-X	Z DIODE		1	
	D2642	RKZ6.2B2KG-X	Z DIODE		1	
	D2643	RKZ6.2B2KG-X	Z DIODE		1	
	D2721	RKZ6.2B2KG-X	Z DIODE		1	
	D2722	1SS355W-X	DIODE		1	
	D2723	1SS355W-X	DIODE		1	
	D2724	CRS03-W	SB DIODE		1	
	D2725	RKZ4.7B2KG-X	Z DIODE		1	
	D2901	1N5401-BPC04	SI DIODE		1	

MODEL	MARK	MODEL	MARK
KW-NT310J	A	KW-NT510HDTJ	B

Safe	Symbol No.	Parts No.	Parts Name	Description	QTY	Local
	D2902	CRS03-W	SB DIODE		1	
	D2905	1SS355W-X	DIODE		1	
	D2910	1SS355W-X	DIODE		1	
	D2911	1SS355W-X	DIODE		1	
	D2913	RB160M-60-X	SB DIODE		1	
	D2914	RB160M-60-X	SB DIODE		1	
	D2915	RB160M-60-X	SB DIODE		1	
	D2916	RB160M-60-X	SB DIODE		1	
	D2961	RKZ6.8B2KG-X	Z DIODE		1	
	D2962	RKZ6.8B2KG-X	Z DIODE		1	
	C2001	NDC31HJ-470X	C CAPACITOR	47pF 50V J	1	
	C2002	NDC31HJ-470X	C CAPACITOR	47pF 50V J	1	
	C2003	NDC31HJ-150X	C CAPACITOR	15pF 50V J	1	
	C2004	NDC31HJ-150X	C CAPACITOR	15pF 50V J	1	
	C2005	NCB31CK-104X	C CAPACITOR	0.1uF 16V	1	
	C2006	NDC31HJ-8R0X	C CAPACITOR	8pF 50V J	1	
	C2007	NDC31HJ-8R0X	C CAPACITOR	8pF 50V J	1	
	C2008	NCB31CK-105X	C CAPACITOR	1uF 16V K	1	
	C2009	NCB31CK-104X	C CAPACITOR	0.1uF 16V	1	
	C2011	NCB31HK-102X	C CAPACITOR	1000pF 50V K	1	
	C2015	NCB31CK-105X	C CAPACITOR	1uF 16V K	1	
	C2016	QEKJ0JM-227Z	E CAPACITOR	220uF 6.3V M	1	
	C2017	NCB31CK-105X	C CAPACITOR	1uF 16V K	1	
	C2018	NCB31EK-473X	C CAPACITOR	0.047uF 25V K	1	
	C2019	NCB31CK-104X	C CAPACITOR	0.1uF 16V	1	
	C2020	NCB31CK-104X	C CAPACITOR	0.1uF 16V	1	
	C2021	NCB31HK-103X	C CAPACITOR	0.01uF 50V K	1	
	C2023	NCB31CK-105X	C CAPACITOR	1uF 16V K	1	
	C2025	NCB31CK-105X	C CAPACITOR	1uF 16V K	1	
	C2026	NCB31CK-104X	C CAPACITOR	0.1uF 16V	1	
	C2032	NDC31HJ-101X	C CAPACITOR	100pF 50V J	1	
	C2033	NDC31HJ-101X	C CAPACITOR	100pF 50V J	1	
	C2301	QEKJ1CM-476Z-R	E CAPACITOR	47uF 16V M	1	
	C2303	QEKJ1CM-226Z	E CAPACITOR	22uF 16V M	1	
	C2304	NDC31HJ-471X	C CAPACITOR	470pF 50V J	1	
	C2305	NCB31HK-103X	C CAPACITOR	0.01uF 50V K	1	
	C2306	QEKJ1EM-106Z-R	E CAPACITOR	10uF 25V M	1	
	C2307	QEKJ1HM-225Z-R	E CAPACITOR	2.2uF 50V M	1	
	C2308	QEKJ1HM-105Z	E CAPACITOR	1uF 50V M	1	
	C2310	NCB31CK-104X	C CAPACITOR	0.1uF 16V	1	
	C2315	QFVF1HJ-103Z	MF CAPACITOR	0.01uF 50V J	1	
	C2316	NDC31HJ-470X	C CAPACITOR	47pF 50V J	1	
	C2317	NCB31HK-471X	C CAPACITOR	470pF 50V K	1	
	C2318	NDC31HJ-470X	C CAPACITOR	47pF 50V J	1	
	C2319	QFVF1HJ-474Z	MF CAPACITOR	0.47uF 50V J	1	
	C2320	QFVF1HJ-474Z	MF CAPACITOR	0.47uF 50V J	1	
	C2322	QFVF1HJ-474Z	MF CAPACITOR	0.47uF 50V J	1	
	C2323	QFVF1HJ-474Z	MF CAPACITOR	0.47uF 50V J	1	
	C2334	NDC31HJ-101X	C CAPACITOR	100pF 50V J	1	
	C2335	NDC31HJ-101X	C CAPACITOR	100pF 50V J	1	
	C2336	NDC31HJ-101X	C CAPACITOR	100pF 50V J	1	
	C2337	NDC31HJ-101X	C CAPACITOR	100pF 50V J	1	
	C2338	NDC31HJ-101X	C CAPACITOR	100pF 50V J	1	
	C2339	NDC31HJ-101X	C CAPACITOR	100pF 50V J	1	
	C2340	NDC31HJ-101X	C CAPACITOR	100pF 50V J	1	
	C2341	NDC31HJ-101X	C CAPACITOR	100pF 50V J	1	
	C2343	NDC31HJ-470X	C CAPACITOR	47pF 50V J	1	
	C2344	NDC31HJ-470X	C CAPACITOR	47pF 50V J	1	
	C2345	NDC31HJ-470X	C CAPACITOR	47pF 50V J	1	
	C2346	NDC31HJ-470X	C CAPACITOR	47pF 50V J	1	
	C2347	QEKJ1CM-107Z	E CAPACITOR	100uF 16V M	1	
	C2348	QEKJ0JM-107Z	E CAPACITOR	100uF 6.3V M	1	
	C2349	NDC31HJ-470X	C CAPACITOR	47pF 50V J	1	
	C2350	NDC31HJ-470X	C CAPACITOR	47pF 50V J	1	
	C2351	NDC31HJ-470X	C CAPACITOR	47pF 50V J	1	
	C2352	NDC31HJ-470X	C CAPACITOR	47pF 50V J	1	
	C2353	NDC31HJ-470X	C CAPACITOR	47pF 50V J	1	
	C2411	QEKJ1CM-107Z-R	E CAPACITOR	100uF 16V M	1	
	C2412	QEKJ0JM-476Z-R	E CAPACITOR	47uF 6.3V M	1	
	C2413	NCB31CK-105X	C CAPACITOR	1uF 16V K	1	
	C2414	NCB31CK-105X	C CAPACITOR	1uF 16V K	1	
	C2415	NCB30JK-225X	C CAPACITOR	2.2uF 6.3V K	1	
	C2416	NCB31CK-105X	C CAPACITOR	1uF 16V K	1	
	C2417	NCB30JK-225X	C CAPACITOR	2.2uF 6.3V K	1	
	C2418	NCB31CK-105X	C CAPACITOR	1uF 16V K	1	
	C2446	NCB31CK-105X	C CAPACITOR	1uF 16V K	1	
	C2447	QEKJ1HM-475Z-R	E CAPACITOR	4.7uF 50V M	1	
	C2448	QEKJ1HM-475Z-R	E CAPACITOR	4.7uF 50V M	1	
	C2449	QEKJ1CM-107Z-R	E CAPACITOR	100uF 16V M	1	
	C2450	NDC31HJ-101X	C CAPACITOR	100pF 50V J	1	
	C2451	NDC31HJ-101X	C CAPACITOR	100pF 50V J	1	
	C2452	NDC31HJ-101X	C CAPACITOR	100pF 50V J	1	
	C2453	QEKJ0JM-107Z-R	E CAPACITOR	100uF 6.3V M	1	
	C2454	QEKJ0JM-107Z-R	E CAPACITOR	100uF 6.3V M	1	
	C2455	NDC31HJ-101X	C CAPACITOR	100pF 50V J	1	
	C2456	NDC31HJ-101X	C CAPACITOR	100pF 50V J	1	
	C2457	QEKJ1HM-475Z-R	E CAPACITOR	4.7uF 50V M	1	
	C2458	QEKJ1HM-475Z-R	E CAPACITOR	4.7uF 50V M	1	
	C2460	QEKJ1EM-106Z-R	E CAPACITOR	10uF 25V M	1	
	C2461	QEKJ1EM-106Z-R	E CAPACITOR	10uF 25V M	1	
	C2462	QEKJ1EM-106Z-R	E CAPACITOR	10uF 25V M	1	
	C2463	QEKJ1EM-106Z-R	E CAPACITOR	10uF 25V M	1	
	C2471	NCJ11EK-106X-R	C CAPACITOR	10uF 25V	1	

MODEL	MARK	MODEL	MARK
KW-NT310J	A	KW-NT510HDTJ	B

Safe	Symbol No.	Parts No.	Parts Name	Description	QTY	Local
	C2472	NCJ11EK-106X-R	C CAPACITOR	10uF 25V	1	
	C2473	NCB31HK-103X	C CAPACITOR	0.01uF 50V K	1	
	C2474	NCB31HK-103X	C CAPACITOR	0.01uF 50V K	1	
	C2511	QEKJ1HM-475Z-R	E CAPACITOR	4.7uF 50V M	1	
	C2512	QEKJ1HM-475Z-R	E CAPACITOR	4.7uF 50V M	1	
	C2513	NDC31HJ-101X	C CAPACITOR	100pF 50V J	1	
	C2514	QEKJ1CM-107Z-R	E CAPACITOR	100uF 16V M	1	
	C2515	NDC31HJ-101X	C CAPACITOR	100pF 50V J	1	
	C2516	QEKJ1CM-476Z-R	E CAPACITOR	47uF 16V M	1	
	C2517	NDC31HJ-101X	C CAPACITOR	100pF 50V J	1	
	C2518	QEKJ1CM-107Z-R	E CAPACITOR	100uF 16V M	1	
	C2519	QEKJ1HM-105Z-R	E CAPACITOR	1uF 50V M	1	
	C2520	QEKJ1HM-105Z-R	E CAPACITOR	1uF 50V M	1	
	C2521	QEKJ1HM-105Z-R	E CAPACITOR	1uF 50V M	1	
	C2522	QEKJ1HM-105Z-R	E CAPACITOR	1uF 50V M	1	
	C2523	NDC31HJ-821X	C CAPACITOR	820pF 50V J	1	
	C2524	NDC31HJ-821X	C CAPACITOR	820pF 50V J	1	
	C2525	NDC31HJ-821X	C CAPACITOR	820pF 50V J	1	
	C2526	NDC31HJ-821X	C CAPACITOR	820pF 50V J	1	
	C2527	QEKJ1HM-105Z-R	E CAPACITOR	1uF 50V M	1	
	C2528	QEKJ1HM-105Z-R	E CAPACITOR	1uF 50V M	1	
	C2529	NDC31HJ-821X	C CAPACITOR	820pF 50V J	1	
	C2530	NDC31HJ-821X	C CAPACITOR	820pF 50V J	1	
	C2531	QEKJ1CM-107Z-R	E CAPACITOR	100uF 16V M	1	
	C2532	NCB31CK-105X	C CAPACITOR	1uF 16V K	1	
	C2533	NDC31HJ-100X	C CAPACITOR	10pF 50V J	1	
	C2534	NDC31HJ-100X	C CAPACITOR	10pF 50V J	1	
	C2535	QEKJ1CM-476Z-R	E CAPACITOR	47uF 16V M	1	
	C2536	NCB31CK-105X	C CAPACITOR	1uF 16V K	1	
	C2537	QEKJ1HM-105Z	E CAPACITOR	1uF 50V M	1	
	C2538	QEKJ1HM-105Z	E CAPACITOR	1uF 50V M	1	
	C2539	QEKJ1HM-105Z	E CAPACITOR	1uF 50V M	1	
	C2540	NCB31CK-105X	C CAPACITOR	1uF 16V K	1	
	C2541	NCJ11EK-106X-R	C CAPACITOR	10uF 25V	1	
	C2542	NCB31CK-105X	C CAPACITOR	1uF 16V K	1	
	C2543	NCB31CK-473X	C CAPACITOR	0.047uF 16V K	1	
	C2544	NCB31CK-473X	C CAPACITOR	0.047uF 16V K	1	
	C2545	NDC31HJ-101X	C CAPACITOR	100pF 50V J	1	
	C2551	QEKJ1EM-106Z-R	E CAPACITOR	10uF 25V M	1	
	C2552	QEKJ1CM-107Z-R	E CAPACITOR	100uF 16V M	1	
	C2553	NDC31HJ-101X	C CAPACITOR	100pF 50V J	1	
	C2561	QEKJ1EM-106Z-R	E CAPACITOR	10uF 25V M	1	
	C2562	QEKJ1CM-107Z-R	E CAPACITOR	100uF 16V M	1	
	C2563	NDC31HJ-101X	C CAPACITOR	100pF 50V J	1	
	C2564	NCB31HK-103X	C CAPACITOR	0.01uF 50V K	1	
	C2641	NCB31CK-104X	C CAPACITOR	0.1uF 16V	1	
	C2721	NDC31HJ-471X	C CAPACITOR	470pF 50V J	1	
	C2722	NCB31HK-103X	C CAPACITOR	0.01uF 50V K	1	
	C2723	NCB31CK-474X	C CAPACITOR	0.47uF 16V K	1	
	C2724	NCB31CK-105X	C CAPACITOR	1uF 16V K	1	
	C2725	NCB31CK-105X	C CAPACITOR	1uF 16V K	1	
	C2811	QEKJ1CM-107Z	E CAPACITOR	100uF 16V M	1	
	C2812	NCB31CK-104X	C CAPACITOR	0.1uF 16V	1	
	C2813	NCB31HK-103X	C CAPACITOR	0.01uF 50V K	1	
	C2901	QE20937-278	E CAPACITOR	2700uF	1	
	C2903	NCB31CK-474X	C CAPACITOR	0.47uF 16V K	1	
	C2904	NCB31CK-104X	C CAPACITOR	0.1uF 16V	1	
	C2905	NCB31CK-334X	C CAPACITOR	0.33uF 16V K	1	
	C2906	NCB31CK-104X	C CAPACITOR	0.1uF 16V	1	
	C2907	NCB31HK-102X	C CAPACITOR	1000pF 50V K	1	
	C2908	NCB31HK-103X	C CAPACITOR	0.01uF 50V K	1	
	C2909	NCB31HK-472X	C CAPACITOR	4700pF 50V K	1	
	C2910	NCB31HK-472X	C CAPACITOR	4700pF 50V K	1	
	C2911	NCJ20JM-226X-A	C CAPACITOR	22uF 6.3V M	1	
	C2912	NCB31HK-103X	C CAPACITOR	0.01uF 50V K	1	
	C2915	QETM1EM-108	E CAPACITOR	1000uF 25V M	1	
	C2928	NCB31HK-103X	C CAPACITOR	0.01uF 50V K	1	
	C2929	NCB30JK-225X	C CAPACITOR	2.2uF 6.3V K	1	
	C2930	NCB30JK-225X	C CAPACITOR	2.2uF 6.3V K	1	
	C2931	NCB31HK-103X	C CAPACITOR	0.01uF 50V K	1	
	C2932	QEKJ1CM-107Z	E CAPACITOR	100uF 16V M	1	
	C2934	QEKJ0JM-227Z	E CAPACITOR	220uF 6.3V M	1	
	C2935	NCB31CK-104X	C CAPACITOR	0.1uF 16V	1	
	C2936	NCB31HK-103X	C CAPACITOR	0.01uF 50V K	1	
	C2937	NCB31HK-104X	C CAPACITOR	0.1uF 50V K	1	
	C2938	QEKJ1HM-225Z	E CAPACITOR	2.2uF 50V M	1	
	C2939	QEPF1HM-225Z	E CAPACITOR	2.2uF 50V M	1	
	C2940	QEKJ1EM-476Z	E CAPACITOR	47uF 25V M	1	
	C2941	QEKJ1EM-106Z	E CAPACITOR	10uF 25V M	1	
	C2942	QEKJ1EM-106Z	E CAPACITOR	10uF 25V M	1	
	C2943	QEKJ1CM-107Z	E CAPACITOR	100uF 16V M	1	
	C2945	NCB31HK-471X	C CAPACITOR	470pF 50V K	1	
	C2946	QEKJ1CM-107Z-R	E CAPACITOR	100uF 16V M	1	
	C2947	NCB31CK-334X	C CAPACITOR	0.33uF 16V K	1	
	C2948	QEKJ1CM-476Z	E CAPACITOR	47uF 16V M	1	
	C2949	NCB31HK-104X	C CAPACITOR	0.1uF 50V K	1	
	C2950	QEKJ1CM-476Z	E CAPACITOR	47uF 16V M	1	
	C2951	NCB31CK-334X	C CAPACITOR	0.33uF 16V K	1	
	C2952	NCB31CK-104X	C CAPACITOR	0.1uF 16V	1	
	C2953	NDC31HJ-470X	C CAPACITOR	47pF 50V J	1	
	C2954	NDC31HJ-470X	C CAPACITOR	47pF 50V J	1	
	C2955	NDC31HJ-470X	C CAPACITOR	47pF 50V J	1	

MODEL	MARK	MODEL	MARK
KW-NT310J	A	KW-NT510HDTJ	B

Safe	Symbol No.	Parts No.	Parts Name	Description	QTY	Local
R2001		NRSA63J-102X	MG RESISTOR	1kΩ 1/16W J	1	
R2002		NRSA63J-102X	MG RESISTOR	1kΩ 1/16W J	1	
R2003		NRSA63J-101X	MG RESISTOR	100Ω 1/16W J	1	
R2004		NRSA63J-221X	MG RESISTOR	220Ω 1/16W J	1	
R2009		NRSA63J-473X	MG RESISTOR	47kΩ 1/16W J	1	
R2010		NRSA63J-102X	MG RESISTOR	1kΩ 1/16W J	1	
R2012		NRSA63J-472X	MG RESISTOR	4.7kΩ 1/16W J	1	
R2015		NRSA63J-102X	MG RESISTOR	1kΩ 1/16W J	1	
R2016		NRSA63J-101X	MG RESISTOR	100Ω 1/16W J	1	
R2017		NRSA63J-102X	MG RESISTOR	1kΩ 1/16W J	1	
R2018		NRSA63J-102X	MG RESISTOR	1kΩ 1/16W J	1	
R2019		NRSA63J-104X	MG RESISTOR	100kΩ 1/16W J	1	
R2021		NRSA63J-102X	MG RESISTOR	1kΩ 1/16W J	1	
R2022		NRSA63J-101X	MG RESISTOR	100Ω 1/16W J	1	
R2023		NRSA63J-102X	MG RESISTOR	1kΩ 1/16W J	1	
R2024		NRSA63J-102X	MG RESISTOR	1kΩ 1/16W J	1	
R2025		NRSA63J-331X	MG RESISTOR	330Ω 1/16W J	1	
R2026		NRSA63J-331X	MG RESISTOR	330Ω 1/16W J	1	B
R2027		NRSA63J-101X	MG RESISTOR	100Ω 1/16W J	1	
R2028		NRSA63J-102X	MG RESISTOR	1kΩ 1/16W J	1	
R2029		NRSA63J-102X	MG RESISTOR	1kΩ 1/16W J	1	
R2030		NRSA63J-101X	MG RESISTOR	100Ω 1/16W J	1	
R2031		NRSA63J-101X	MG RESISTOR	100Ω 1/16W J	1	
R2032		NRSA63J-102X	MG RESISTOR	1kΩ 1/16W J	1	
R2033		NRSA63J-101X	MG RESISTOR	100Ω 1/16W J	1	
R2034		NRSA63J-101X	MG RESISTOR	100Ω 1/16W J	1	
R2035		NRSA63J-102X	MG RESISTOR	1kΩ 1/16W J	1	
R2036		NRSA63J-101X	MG RESISTOR	100Ω 1/16W J	1	
R2037		NRSA63J-471X	MG RESISTOR	470Ω 1/16W J	1	
R2038		NRSA63J-102X	MG RESISTOR	1kΩ 1/16W J	1	
R2039		NRSA63J-102X	MG RESISTOR	1kΩ 1/16W J	1	
R2040		NRSA63J-102X	MG RESISTOR	1kΩ 1/16W J	1	
R2041		NRSA63J-272X	MG RESISTOR	2.7kΩ 1/16W J	1	
R2042		NRSA63J-101X	MG RESISTOR	100Ω 1/16W J	1	
R2043		NRSA63J-101X	MG RESISTOR	100Ω 1/16W J	1	
R2044		NRSA63J-102X	MG RESISTOR	1kΩ 1/16W J	1	
R2045		NRSA63J-332X	MG RESISTOR	3.3kΩ 1/16W J	1	
R2046		NRSA63J-103X	MG RESISTOR	10kΩ 1/16W J	1	B
R2047		NRSA63J-102X	MG RESISTOR	1kΩ 1/16W J	1	
R2048		NRSA63J-102X	MG RESISTOR	1kΩ 1/16W J	1	
R2049		NRSA63J-101X	MG RESISTOR	100Ω 1/16W J	1	
R2050		NRSA63J-101X	MG RESISTOR	100Ω 1/16W J	1	
R2051		NRSA63J-101X	MG RESISTOR	100Ω 1/16W J	1	
R2052		NRSA63J-101X	MG RESISTOR	100Ω 1/16W J	1	
R2053		NRSA63J-102X	MG RESISTOR	1kΩ 1/16W J	1	
R2054		NRSA63J-221X	MG RESISTOR	220Ω 1/16W J	1	
R2055		NRSA63J-221X	MG RESISTOR	220Ω 1/16W J	1	
R2056		NRSA63J-103X	MG RESISTOR	10kΩ 1/16W J	1	
R2057		NRSA63J-101X	MG RESISTOR	100Ω 1/16W J	1	
R2058		NRSA63J-102X	MG RESISTOR	1kΩ 1/16W J	1	
R2059		NRSA63J-104X	MG RESISTOR	100kΩ 1/16W J	1	
R2060		NRSA63J-222X	MG RESISTOR	2.2kΩ 1/16W J	1	
R2061		NRSA63J-102X	MG RESISTOR	1kΩ 1/16W J	1	
R2062		NRSA63J-473X	MG RESISTOR	47kΩ 1/16W J	1	
R2063		NRSA63J-102X	MG RESISTOR	1kΩ 1/16W J	1	
R2064		NRSA63J-102X	MG RESISTOR	1kΩ 1/16W J	1	
R2065		NRSA63J-102X	MG RESISTOR	1kΩ 1/16W J	1	
R2066		NRSA63J-101X	MG RESISTOR	100Ω 1/16W J	1	B
R2067		NRSA63J-101X	MG RESISTOR	100Ω 1/16W J	1	B
R2068		NRSA63J-101X	MG RESISTOR	100Ω 1/16W J	1	B
R2069		NRSA63J-103X	MG RESISTOR	10kΩ 1/16W J	1	
R2070		NRSA63J-103X	MG RESISTOR	10kΩ 1/16W J	1	
R2071		NRSA63J-222X	MG RESISTOR	2.2kΩ 1/16W J	1	
R2072		NRSA63J-221X	MG RESISTOR	220Ω 1/16W J	1	
R2073		NRSA63J-102X	MG RESISTOR	1kΩ 1/16W J	1	
R2074		NRSA63J-102X	MG RESISTOR	1kΩ 1/16W J	1	
R2075		NRSA63J-102X	MG RESISTOR	1kΩ 1/16W J	1	
R2076		NRSA63J-102X	MG RESISTOR	1kΩ 1/16W J	1	B
R2078		NRSA63J-102X	MG RESISTOR	1kΩ 1/16W J	1	
R2079		NRSA63J-102X	MG RESISTOR	1kΩ 1/16W J	1	
R2080		NRSA63J-102X	MG RESISTOR	1kΩ 1/16W J	1	
R2081		NRSA63J-101X	MG RESISTOR	100Ω 1/16W J	1	
R2083		NRSA63J-123X	MG RESISTOR	12kΩ 1/16W J	1	
R2084		NRSA63J-102X	MG RESISTOR	1kΩ 1/16W J	1	
R2085		NRSA63J-102X	MG RESISTOR	1kΩ 1/16W J	1	
R2086		NRSA63J-101X	MG RESISTOR	100Ω 1/16W J	1	
R2087		NRSA63J-101X	MG RESISTOR	100Ω 1/16W J	1	
R2088		NRSA63J-102X	MG RESISTOR	1kΩ 1/16W J	1	
R2089		NRSA63J-101X	MG RESISTOR	100Ω 1/16W J	1	
R2090		NRSA63J-101X	MG RESISTOR	100Ω 1/16W J	1	
R2092		NRSA63J-101X	MG RESISTOR	100Ω 1/16W J	1	
R2093		NRSA63J-102X	MG RESISTOR	1kΩ 1/16W J	1	
R2094		NRSA63J-102X	MG RESISTOR	1kΩ 1/16W J	1	
R2095		NRSA63J-102X	MG RESISTOR	1kΩ 1/16W J	1	
R2096		NRSA63J-101X	MG RESISTOR	100Ω 1/16W J	1	
R2097		NRSA63J-102X	MG RESISTOR	1kΩ 1/16W J	1	
R2098		NRSA63J-102X	MG RESISTOR	1kΩ 1/16W J	1	
R2099		NRSA63J-102X	MG RESISTOR	1kΩ 1/16W J	1	
R2100		NRSA63J-101X	MG RESISTOR	100Ω 1/16W J	1	
R2101		NRSA63J-101X	MG RESISTOR	100Ω 1/16W J	1	
R2102		NRSA63J-222X	MG RESISTOR	2.2kΩ 1/16W J	1	
R2103		NRSA63J-222X	MG RESISTOR	2.2kΩ 1/16W J	1	
R2104		NRSA63J-101X	MG RESISTOR	100Ω 1/16W J	1	

MODEL	MARK	MODEL	MARK
KW-NT310J	A	KW-NT510HDTJ	B

Safe	Symbol No.	Parts No.	Parts Name	Description	QTY	Local
	R2105	NRSA63J-101X	MG RESISTOR	100Ω 1/16W J	1	
	R2107	NRSA63J-101X	MG RESISTOR	100Ω 1/16W J	1	
	R2108	NRSA63J-102X	MG RESISTOR	1kΩ 1/16W J	1	
	R2110	NRSA63J-102X	MG RESISTOR	1kΩ 1/16W J	1	
	R2111	NRSA63J-331X	MG RESISTOR	330Ω 1/16W J	1	
	R2113	NRSA63J-106X	MG RESISTOR	10MΩ 1/16W J	1	
	R2116	NRSA63J-822X	MG RESISTOR	8.2kΩ 1/16W J	1	
	R2120	NRSA63J-472X	MG RESISTOR	4.7kΩ 1/16W J	1	
	R2124	NRSA63J-101X	MG RESISTOR	100Ω 1/16W J	1	
	R2125	NRSA63J-473X	MG RESISTOR	47kΩ 1/16W J	1	
	R2126	NRSA63J-473X	MG RESISTOR	47kΩ 1/16W J	1	
	R2127	NRSA63J-473X	MG RESISTOR	47kΩ 1/16W J	1	
	R2128	NRSA63J-103X	MG RESISTOR	10kΩ 1/16W J	1	
	R2129	NRSA63J-183X	MG RESISTOR	18kΩ 1/16W J	1	
	R2130	NRSA63J-272X	MG RESISTOR	2.7kΩ 1/16W J	1	
	R2131	NRSA63J-272X	MG RESISTOR	2.7kΩ 1/16W J	1	
	R2132	NRSA63J-104X	MG RESISTOR	100kΩ 1/16W J	1	
	R2137	NRSA63J-154X	MG RESISTOR	150kΩ 1/16W J	1	
	R2141	NRSA63J-103X	MG RESISTOR	10kΩ 1/16W J	1	
	R2142	NRSA63J-103X	MG RESISTOR	10kΩ 1/16W J	1	
	R2143	NRSA63J-103X	MG RESISTOR	10kΩ 1/16W J	1	
	R2151	NRSA63J-473X	MG RESISTOR	47kΩ 1/16W J	1	
	R2152	NRSA63J-184X	MG RESISTOR	180kΩ 1/16W J	1	
	R2153	NRSA63J-101X	MG RESISTOR	100Ω 1/16W J	1	
	R2154	NRSA63J-101X	MG RESISTOR	100Ω 1/16W J	1	
	R2159	NRSA63J-273X	MG RESISTOR	27kΩ 1/16W J	1	
	R2160	NRSA63J-473X	MG RESISTOR	47kΩ 1/16W J	1	
	R2161	NRSA63J-223X	MG RESISTOR	22kΩ 1/16W J	1	
	R2162	NRSA63J-102X	MG RESISTOR	1kΩ 1/16W J	1	
	R2173	NRSA63J-104X	MG RESISTOR	100kΩ 1/16W J	1	
	R2174	NRSA63J-101X	MG RESISTOR	100Ω 1/16W J	1	
	R2175	NRSA63J-104X	MG RESISTOR	100kΩ 1/16W J	1	
	R2311	NRSA63J-222X	MG RESISTOR	2.2kΩ 1/16W J	1	
	R2312	NRSA63J-822X	MG RESISTOR	8.2kΩ 1/16W J	1	
	R2313	NRSA63J-273X	MG RESISTOR	27kΩ 1/16W J	1	
	R2314	NRSA63J-473X	MG RESISTOR	47kΩ 1/16W J	1	
	R2315	NRSA63J-473X	MG RESISTOR	47kΩ 1/16W J	1	
	R2316	NRSA63J-101X	MG RESISTOR	100Ω 1/16W J	1	
	R2317	NRSA63J-154X	MG RESISTOR	150kΩ 1/16W J	1	
	R2318	NRSA63J-101X	MG RESISTOR	100Ω 1/16W J	1	
	R2320	NRSA63J-330X	MG RESISTOR	33Ω 1/16W J	1	
	R2321	NRSA63J-103X	MG RESISTOR	10kΩ 1/16W J	1	
	R2326	NRSA63J-101X	MG RESISTOR	100Ω 1/16W J	1	
	R2442	NRSA63J-102X	MG RESISTOR	1kΩ 1/16W J	1	
	R2443	NRSA63J-102X	MG RESISTOR	1kΩ 1/16W J	1	
	R2444	NRSA63J-103X	MG RESISTOR	10kΩ 1/16W J	1	
	R2445	NRSA63J-473X	MG RESISTOR	47kΩ 1/16W J	1	
	R2446	NRSA63J-473X	MG RESISTOR	47kΩ 1/16W J	1	
	R2447	NRSA63J-472X	MG RESISTOR	4.7kΩ 1/16W J	1	
	R2448	NRSA63J-103X	MG RESISTOR	10kΩ 1/16W J	1	
	R2449	NRSA63J-103X	MG RESISTOR	10kΩ 1/16W J	1	
	R2450	NRSA63J-472X	MG RESISTOR	4.7kΩ 1/16W J	1	
	R2458	NRSA63J-472X	MG RESISTOR	4.7kΩ 1/16W J	1	
	R2459	NRSA63J-103X	MG RESISTOR	10kΩ 1/16W J	1	
	R2460	NRSA63J-103X	MG RESISTOR	10kΩ 1/16W J	1	
	R2461	NRSA63J-472X	MG RESISTOR	4.7kΩ 1/16W J	1	
	R2462	NRSA63J-473X	MG RESISTOR	47kΩ 1/16W J	1	
	R2463	NRSA63J-473X	MG RESISTOR	47kΩ 1/16W J	1	
	R2471	NRSA63J-473X	MG RESISTOR	47kΩ 1/16W J	1	
	R2472	NRSA63J-473X	MG RESISTOR	47kΩ 1/16W J	1	
	R2473	NRSA63J-821X	MG RESISTOR	820Ω 1/16W J	1	
	R2474	NRSA63J-821X	MG RESISTOR	820Ω 1/16W J	1	
	R2475	NRSA63J-181X	MG RESISTOR	180Ω 1/16W J	1	
	R2476	NRSA63J-181X	MG RESISTOR	180Ω 1/16W J	1	
	R2477	NRSA63J-152X	MG RESISTOR	1.5kΩ 1/16W J	1	
	R2478	NRSA63J-152X	MG RESISTOR	1.5kΩ 1/16W J	1	
	R2511	NRSA63J-122X	MG RESISTOR	1.2kΩ 1/16W J	1	
	R2512	NRSA63J-122X	MG RESISTOR	1.2kΩ 1/16W J	1	
	R2513	NRSA63J-122X	MG RESISTOR	1.2kΩ 1/16W J	1	
	R2514	NRSA63J-122X	MG RESISTOR	1.2kΩ 1/16W J	1	
	R2515	NRSA63J-122X	MG RESISTOR	1.2kΩ 1/16W J	1	
	R2516	NRSA63J-122X	MG RESISTOR	1.2kΩ 1/16W J	1	
	R2517	NRSA63J-101X	MG RESISTOR	100Ω 1/16W J	1	
	R2518	NRSA63J-101X	MG RESISTOR	100Ω 1/16W J	1	
	R2519	NRSA63J-101X	MG RESISTOR	100Ω 1/16W J	1	
	R2520	NRSA63J-101X	MG RESISTOR	100Ω 1/16W J	1	
	R2521	NRSA63J-101X	MG RESISTOR	100Ω 1/16W J	1	
	R2522	NRSA63J-101X	MG RESISTOR	100Ω 1/16W J	1	
	R2523	NRSA63J-101X	MG RESISTOR	100Ω 1/16W J	1	
	R2524	NRSA63J-101X	MG RESISTOR	100Ω 1/16W J	1	
	R2525	NRSA63J-101X	MG RESISTOR	100Ω 1/16W J	1	
	R2526	NRSA63J-105X	MG RESISTOR	1MΩ 1/16W J	1	
	R2527	NRSA63J-101X	MG RESISTOR	100Ω 1/16W J	1	
	R2528	NRSA63J-333X	MG RESISTOR	33kΩ 1/16W J	1	
	R2529	NRSA63J-683X	MG RESISTOR	68kΩ 1/16W J	1	
	R2530	NRSA63J-333X	MG RESISTOR	33kΩ 1/16W J	1	
	R2531	NRSA63J-471X	MG RESISTOR	470Ω 1/16W J	1	
	R2532	NRSA63J-104X	MG RESISTOR	100kΩ 1/16W J	1	
	R2533	NRSA63J-104X	MG RESISTOR	100kΩ 1/16W J	1	
	R2534	NRSA63J-101X	MG RESISTOR	100Ω 1/16W J	1	
	R2535	NRSA63J-470X	MG RESISTOR	47Ω 1/16W J	1	
	R2536	NRSA63J-101X	MG RESISTOR	100Ω 1/16W J	1	

MODEL	MARK	MODEL	MARK
KW-NT310J	A	KW-NT510HDTJ	B

Safe	Symbol No.	Parts No.	Parts Name	Description	QTY	Local
	R2537	NRSA63J-471X	MG RESISTOR	470Ω 1/16W J	1	
	R2538	NRSA63J-104X	MG RESISTOR	100kΩ 1/16W J	1	
	R2539	NRSA63J-104X	MG RESISTOR	100kΩ 1/16W J	1	
	R2541	NRSA63J-473X	MG RESISTOR	47kΩ 1/16W J	1	
	R2551	NRSA63D-103X	MG RESISTOR	10kΩ 1/16W D	1	
	R2552	NRSA63D-153X	MG RESISTOR	15kΩ 1/16W D	1	
	R2642	NRSA63J-104X	MG RESISTOR	100kΩ 1/16W J	1	
	R2643	NRS181J-471X	MG RESISTOR	470Ω 1/8W J	1	
	R2644	NRS181J-471X	MG RESISTOR	470Ω 1/8W J	1	
	R2645	NRS181J-471X	MG RESISTOR	470Ω 1/8W J	1	
	R2651	NRSA63D-103X	MG RESISTOR	10kΩ 1/16W D	1	
	R2652	NRSA63D-203X	MG RESISTOR	20kΩ 1/16W D	1	
	R2653	NRSA63D-103X	MG RESISTOR	10kΩ 1/16W D	1	
	R2654	NRSA63D-203X	MG RESISTOR	20kΩ 1/16W D	1	
	R2655	NRSA63D-102X	MG RESISTOR	1kΩ 1/16W D	1	
	R2656	NRSA63D-102X	MG RESISTOR	1kΩ 1/16W D	1	
	R2657	NRSA63D-102X	MG RESISTOR	1kΩ 1/16W D	1	
	R2658	NRSA63D-102X	MG RESISTOR	1kΩ 1/16W D	1	
	R2711	NRSA63J-470X	MG RESISTOR	47Ω 1/16W J	1	
	R2712	NRSA63J-470X	MG RESISTOR	47Ω 1/16W J	1	
	R2713	NRSA63J-104X	MG RESISTOR	100kΩ 1/16W J	1	
	R2714	NRSA63J-472X	MG RESISTOR	4.7kΩ 1/16W J	1	
	R2715	NRSA63J-511X	MG RESISTOR	510Ω 1/16W J	1	
	R2716	NRSA63J-472X	MG RESISTOR	4.7kΩ 1/16W J	1	
	R2717	NRSA63J-511X	MG RESISTOR	510Ω 1/16W J	1	
	R2718	NRSA63J-102X	MG RESISTOR	1kΩ 1/16W J	1	
	R2719	NRSA63J-104X	MG RESISTOR	100kΩ 1/16W J	1	
	R2721	NRSA63J-102X	MG RESISTOR	1kΩ 1/16W J	1	
	R2722	NRSA63J-223X	MG RESISTOR	22kΩ 1/16W J	1	
	R2723	NRSA63J-562X	MG RESISTOR	5.6kΩ 1/16W J	1	
	R2724	NRSA63J-302X	MG RESISTOR	3kΩ 1/16W J	1	
	R2725	NRSA63J-182X	MG RESISTOR	1.8kΩ 1/16W J	1	
	R2726	NRSA63J-122X	MG RESISTOR	1.2kΩ 1/16W J	1	
	R2727	NRS181J-152X	MG RESISTOR	1.5kΩ 1/8W J	1	
	R2728	NRSA63J-562X	MG RESISTOR	5.6kΩ 1/16W J	1	
	R2729	NRSA63J-302X	MG RESISTOR	3kΩ 1/16W J	1	
	R2730	NRSA63J-182X	MG RESISTOR	1.8kΩ 1/16W J	1	
	R2731	NRSA63J-122X	MG RESISTOR	1.2kΩ 1/16W J	1	
	R2732	NRS181J-152X	MG RESISTOR	1.5kΩ 1/8W J	1	
	R2733	NRSA63J-222X	MG RESISTOR	2.2kΩ 1/16W J	1	
	R2734	NRSA63J-473X	MG RESISTOR	47kΩ 1/16W J	1	
	R2735	NRSA63J-472X	MG RESISTOR	4.7kΩ 1/16W J	1	
	R2736	NRSA63J-102X	MG RESISTOR	1kΩ 1/16W J	1	
	R2737	NRSA63J-104X	MG RESISTOR	100kΩ 1/16W J	1	
	R2901	NRSA63J-273X	MG RESISTOR	27kΩ 1/16W J	1	
	R2902	NRSA63J-103X	MG RESISTOR	10kΩ 1/16W J	1	
	R2903	NRSA63J-103X	MG RESISTOR	10kΩ 1/16W J	1	
	R2904	NRSA63J-103X	MG RESISTOR	10kΩ 1/16W J	1	
	R2905	NRSA63J-101X	MG RESISTOR	100Ω 1/16W J	1	
	R2906	NRSA63J-101X	MG RESISTOR	100Ω 1/16W J	1	
	R2907	NRSA63J-101X	MG RESISTOR	100Ω 1/16W J	1	
	R2908	NRSA63J-224X	MG RESISTOR	220kΩ 1/16W J	1	
	R2909	NRSA63J-472X	MG RESISTOR	4.7kΩ 1/16W J	1	
	R2910	NRSA63J-105X	MG RESISTOR	1MΩ 1/16W J	1	
	R2911	NRSA63J-393X	MG RESISTOR	39kΩ 1/16W J	1	
	R2912	NRSA63J-472X	MG RESISTOR	4.7kΩ 1/16W J	1	
	R2913	NRSA63J-222X	MG RESISTOR	2.2kΩ 1/16W J	1	
	R2914	NRSA63J-182X	MG RESISTOR	1.8kΩ 1/16W J	1	
	R2915	NRSA63J-563X	MG RESISTOR	56kΩ 1/16W J	1	
	R2917	NRSA63J-563X	MG RESISTOR	56kΩ 1/16W J	1	
	R2918	NRSA63J-103X	MG RESISTOR	10kΩ 1/16W J	1	
	R2919	NRSA63J-103X	MG RESISTOR	10kΩ 1/16W J	1	
	R2920	NRSA63J-103X	MG RESISTOR	10kΩ 1/16W J	1	
	R2921	NRSA63J-103X	MG RESISTOR	10kΩ 1/16W J	1	
	R2922	NRSA63J-274X	MG RESISTOR	270kΩ 1/16W J	1	
	R2938	NRSA63J-272X	MG RESISTOR	2.7kΩ 1/16W J	1	
	R2939	NRSA63J-473X	MG RESISTOR	47kΩ 1/16W J	1	
	R2940	NRSA63J-102X	MG RESISTOR	1kΩ 1/16W J	1	
	R2941	NRSA63J-103X	MG RESISTOR	10kΩ 1/16W J	1	
	R2942	NRSA63J-473X	MG RESISTOR	47kΩ 1/16W J	1	
	R2943	NRSA63J-103X	MG RESISTOR	10kΩ 1/16W J	1	
	R2944	NRSA63J-622X	MG RESISTOR	6.2kΩ 1/10W	1	
	R2945	NRSA63J-472X	MG RESISTOR	4.7kΩ 1/16W J	1	
	R2948	NRS181J-472X	MG RESISTOR	4.7kΩ 1/8W J	1	
	R2950	NRS181J-332X	MG RESISTOR	3.3kΩ 1/8W J	1	
	R2952	NRS181J-682X	MG RESISTOR	6.8kΩ 1/8W J	1	
	R2953	NRS181J-682X	MG RESISTOR	6.8kΩ 1/8W J	1	
	R2961	NRSA63D-103X	MG RESISTOR	10kΩ 1/16W D	1	
	R2962	NRSA63D-622X	MG RESISTOR	6.2kΩ 1/16W D	1	
	R2963	NRSA63D-103X	MG RESISTOR	10kΩ 1/16W D	1	
	R2964	NRSA63D-104X	MG RESISTOR	100kΩ 1/16W D	1	
	R2965	NRSA63D-513X	MG RESISTOR	51kΩ 1/16W D	1	
	R2966	NRSA63D-683X	MG RESISTOR	68kΩ 1/16W D	1	
	L2001	NQL79GM-470X	COIL	47uH M	1	
	L2901	QQR0703-001	CHOKE COIL		1	
	L2903	NQL79GM-101X	COIL	100uH M	1	
	CN241	QGA2001C7-04X	CONNECTOR	W-B (1-4)	1	
	CN263	QGF0536C3-20W	CONNECTOR	FFC/FPC (1-20)	1	
	CN264	QNZ0907-001	CIR CONNECTOR		1	
	CN265	QGA2013F3-05	CONNECTOR	W-B (1-5)	1	
	CN271	QGA2001C7-02X	CONNECTOR	W-B (1-2)	1	
	CN291	QNZ1064-001	CAR CONNECTOR		1	

MODEL	MARK	MODEL	MARK
KW-NT310J	A	KW-NT510HDTJ	B

Safe	Symbol No.	Parts No.	Parts Name	Description	QTY	Local
	CN292	QGB0815K3-60X	CONNECTOR	B-B (1-60)	1	
	CN293	QGB0815K3-80X	CONNECTOR	B-B (1-80)	1	
△	F2902	NMFZ018-5R0X-E	FUSE	5A	1	
	J271	QNS0301-002	3.5 JACK		1	
	VA241	NAF0027-002X	VARIATOR(ZNR)		1	
	VA242	NAF0027-002X	VARIATOR(ZNR)		1	
	VA265	NAF0027-002X	VARIATOR(ZNR)		1	
	VA266	NAF0027-002X	VARIATOR(ZNR)		1	
	VA267	NAF0027-002X	VARIATOR(ZNR)		1	
	VA268	NAF0027-002X	VARIATOR(ZNR)		1	
	VA271	NAF0027-002X	VARIATOR(ZNR)		1	
	VA272	NAF0027-002X	VARIATOR(ZNR)		1	
	VA291	NAF0027-002X	VARIATOR(ZNR)		1	
	X2001	QAX0401-001	CRYSTAL	32.768KHz	1	
	X2002	NAX1137-001X	CRYSTAL		1	
	X2511	NAX1172-001X	CRYSTAL		1	
SUB UNIT (LVA11110-12A) <02>						
	IC301	BD9781HFP-W	IC		1	
	IC302	BD9781HFP-W	IC		1	
	IC303	BD9781HFP-W	IC		1	
	IC305	NJM2855DL1-33-X	IC		1	
	IC306	NJM2387ADL3-X	IC		1	
	IC307	NJM2855DL1-05-X	IC		1	
	IC311	NJM2871BF05-X	IC		1	
	IC321	LT1947EMSE-X	IC		1	
	IC341	NJM2505AF-X	IC		1	
	IC342	NJM2535V-X	IC		1	
	IC343	NJM2561F1-X	IC		1	
	IC344	NJM2535V-X	IC		1	
	IC345	NJM2561F1-X	IC		1	
	IC361	KTC812T-X	PAIR TRANSISTOR		1	
	IC365	KTC812T-X	PAIR TRANSISTOR		1	
	IC371	NJM4565E-X	IC		1	
	IC381	BA3131FS-X	IC		1	
	Q3211	RT1N141U-X	DIGI TRANSISTOR		1	
	Q3212	2SC4154/EF-X	TRANSISTOR		1	
	Q3213	KTA1664/OYI-X	TRANSISTOR		1	
	Q3711	2SC1623A/5-6I-X	TRANSISTOR		1	
	Q3712	RT1P441C-X	DIGI TRANSISTOR		1	
	Q3713	RT1N141C-X	DIGI TRANSISTOR		1	
	Q3951	RT1P441C-X	DIGI TRANSISTOR		1	
	Q3952	RT1N141C-X	DIGI TRANSISTOR		1	
	D3011	RB050L-40-X	DIODE		1	
	D3021	RB050L-40-X	DIODE		1	
	D3031	RB050L-40-X	DIODE		1	
	D3211	RB161L-40-X	SB DIODE		1	
	D3212	RB161L-40-X	SB DIODE		1	
	D3213	RB161L-40-X	SB DIODE		1	
	D3215	RB055L-40-X	SB DIODE		1	
	D3216	CRS03-W	SB DIODE		1	
	D3421	RKZ6.2B2KG-X	Z DIODE		1	
	D3422	RKZ6.2B2KG-X	Z DIODE		1	
	D3451	RKZ6.2B2KG-X	Z DIODE		1	
	D3511	1SS355W-X	DIODE		1	
	D3512	1SS355W-X	DIODE		1	
	D3611	1SS355W-X	DIODE		1	
	D3612	1SS355W-X	DIODE		1	
	D3651	1SS355W-X	DIODE		1	
	D3652	1SS355W-X	DIODE		1	
	D3711	RKZ11B2KG-X	Z DIODE		1	
	D3751	RKZ11B2KG-X	Z DIODE		1	
	D3801	CRS03-W	SB DIODE		1	
	D3931	CRS03-W	SB DIODE		1	
	D3932	CRS03-W	SB DIODE		1	
	D3933	CRS03-W	SB DIODE		1	
	D3934	CRS03-W	SB DIODE		1	
	D3935	CRS03-W	SB DIODE		1	
	C3011	QERF1EM-107Z	E CAPACITOR	100uF 25V M	1	
	C3014	NCB31HK-222X	C CAPACITOR	2200pF 50V K	1	
	C3015	NCB31CK-104X	C CAPACITOR	0.1uF 16V	1	
	C3016	NCJ11EK-106X-R	C CAPACITOR	10uF 25V	1	
	C3017	NCJ41CK-476X-A	C CAPACITOR	47uF 16V K	1	
	C3018	QEKJ1AM-227Z	E CAPACITOR	220uF 10V M	1	
	C3021	QERF1EM-107Z	E CAPACITOR	100uF 25V M	1	
	C3023	NDC31HJ-471X	C CAPACITOR	470pF 50V J	1	
	C3024	NCB31HK-222X	C CAPACITOR	2200pF 50V K	1	
	C3025	NCB31CK-104X	C CAPACITOR	0.1uF 16V	1	
	C3026	NCJ11EK-106X-R	C CAPACITOR	10uF 25V	1	
	C3027	NCJ41CK-476X-A	C CAPACITOR	47uF 16V K	1	
	C3028	QEKJ1AM-227Z	E CAPACITOR	220uF 10V M	1	
	C3031	QERF1EM-107Z	E CAPACITOR	100uF 25V M	1	
	C3034	NCB31HK-222X	C CAPACITOR	2200pF 50V K	1	
	C3035	NCB31CK-104X	C CAPACITOR	0.1uF 16V	1	
	C3036	NCJ11EK-106X-R	C CAPACITOR	10uF 25V	1	
	C3037	NCJ41CK-476X-A	C CAPACITOR	47uF 16V K	1	
	C3038	QE20953-227Z	OS E CAPACITOR	220uF	1	
	C3051	NCB31CK-104X	C CAPACITOR	0.1uF 16V	1	
	C3052	NCJ41CK-476X-A	C CAPACITOR	47uF 16V K	1	
	C3053	NCJ21CK-475X-R	C CAPACITOR	4.7uF 16V K	1	
	C3061	NCB31CK-104X	C CAPACITOR	0.1uF 16V	1	
	C3062	NCJ41CK-476X-A	C CAPACITOR	47uF 16V K	1	
	C3063	NCJ21CK-475X-R	C CAPACITOR	4.7uF 16V K	1	
	C3071	NCB31CK-104X	C CAPACITOR	0.1uF 16V	1	
	C3072	NCJ41CK-476X-A	C CAPACITOR	47uF 16V K	1	

MODEL	MARK	MODEL	MARK
KW-NT310J	A	KW-NT510HDTJ	B

Safe	Symbol No.	Parts No.	Parts Name	Description	QTY	Local
	C3073	NCJ21CK-475X-R	C CAPACITOR	4.7uF 16V K	1	
	C3111	NCB31HK-103X	C CAPACITOR	0.01uF 50V K	1	
	C3112	NCB31AK-105X	C CAPACITOR	1uF 10V K	1	
	C3113	QEKJ1CM-107Z	E CAPACITOR	100uF 16V M	1	
	C3114	QEKJ1EM-106Z	E CAPACITOR	10uF 25V M	1	
	C3201	NCJ11EK-106X-R	C CAPACITOR	10uF 25V	1	
	C3202	NCJ11EK-106X-R	C CAPACITOR	10uF 25V	1	
	C3203	NCJ41CK-476X-A	C CAPACITOR	47uF 16V K	1	
	C3211	NDC31HJ-151X	C CAPACITOR	150pF 50V J	1	
	C3212	NDC31HJ-101X	C CAPACITOR	100pF 50V J	1	
	C3213	NCB31CK-104X	C CAPACITOR	0.1uF 16V	1	
	C3214	NCB31CK-224X	C CAPACITOR	0.22uF 16V K	1	
	C3215	NCJ11EK-106X-R	C CAPACITOR	10uF 25V	1	
	C3217	NCJ11EK-106X-R	C CAPACITOR	10uF 25V	1	
	C3218	NCJ11EK-106X-R	C CAPACITOR	10uF 25V	1	
	C3219	NCJ11EK-106X-R	C CAPACITOR	10uF 25V	1	
	C3220	NCJ11EK-106X-R	C CAPACITOR	10uF 25V	1	
	C3221	NCB31HK-103X	C CAPACITOR	0.01uF 50V K	1	
	C3222	NCJ11EK-106X-R	C CAPACITOR	10uF 25V	1	
	C3225	NCB31CK-105X	C CAPACITOR	1uF 16V K	1	
	C3226	NCB31HK-103X	C CAPACITOR	0.01uF 50V K	1	
	C3227	NCB31HK-104X	C CAPACITOR	0.1uF 50V K	1	
	C3228	NCJ11EK-106X-R	C CAPACITOR	10uF 25V	1	
	C3229	NCB31HK-104X	C CAPACITOR	0.1uF 50V K	1	
	C3230	NCJ11EK-106X-R	C CAPACITOR	10uF 25V	1	
	C3231	NCJ11EK-106X-R	C CAPACITOR	10uF 25V	1	
	C3232	NCJ11EK-106X-R	C CAPACITOR	10uF 25V	1	
	C3233	NCB31HK-103X	C CAPACITOR	0.01uF 50V K	1	
	C3234	NCB31HK-104X	C CAPACITOR	0.1uF 50V K	1	
	C3235	NCJ11EK-106X-R	C CAPACITOR	10uF 25V	1	
	C3236	NCB31HK-103X	C CAPACITOR	0.01uF 50V K	1	
	C3237	NCB31HK-104X	C CAPACITOR	0.1uF 50V K	1	
	C3238	NCJ11EK-106X-R	C CAPACITOR	10uF 25V	1	
	C3239	NCB31HK-104X	C CAPACITOR	0.1uF 50V K	1	
	C3240	NCB31HK-104X	C CAPACITOR	0.1uF 50V K	1	
	C3241	NCJ11EK-106X-R	C CAPACITOR	10uF 25V	1	
	C3315	NCB31CK-105X	C CAPACITOR	1uF 16V K	1	
	C3411	NCB30JK-225X	C CAPACITOR	2.2uF 6.3V K	1	
	C3412	NCJ21CK-106X-R	C CAPACITOR	10uF 16V K	1	
	C3413	NDC31HJ-470X	C CAPACITOR	47pF 50V J	1	
	C3421	NCB30JK-225X	C CAPACITOR	2.2uF 6.3V K	1	
	C3422	NCB31CK-105X	C CAPACITOR	1uF 16V K	1	
	C3423	NCB31CK-105X	C CAPACITOR	1uF 16V K	1	
	C3424	NCB31CK-105X	C CAPACITOR	1uF 16V K	1	
	C3425	NCB31HK-104X	C CAPACITOR	0.1uF 50V K	1	
	C3426	NCB31CK-105X	C CAPACITOR	1uF 16V K	1	
	C3431	QEKJ0JM-337Z	E CAPACITOR	330uF 6.3V M	1	
	C3435	NCB31CK-104X	C CAPACITOR	0.1uF 16V	1	
	C3441	NCB31CK-105X	C CAPACITOR	1uF 16V K	1	
	C3442	NCB31CK-105X	C CAPACITOR	1uF 16V K	1	
	C3443	NCB31CK-105X	C CAPACITOR	1uF 16V K	1	
	C3444	NCB31HK-104X	C CAPACITOR	0.1uF 50V K	1	
	C3445	QEKJ1CM-476Z	E CAPACITOR	47uF 16V M	1	
	C3446	NCB31CK-105X	C CAPACITOR	1uF 16V K	1	
	C3451	QEKJ0JM-337Z	E CAPACITOR	330uF 6.3V M	1	
	C3452	NCB31HK-104X	C CAPACITOR	0.1uF 50V K	1	
	C3511	NDC31HJ-470X	C CAPACITOR	47pF 50V J	1	
	C3512	NDC31HJ-470X	C CAPACITOR	47pF 50V J	1	
	C3513	NDC31HJ-470X	C CAPACITOR	47pF 50V J	1	
	C3514	NCB31CK-473X	C CAPACITOR	0.04uF 16V K	1	
	C3712	NCB31CK-105X	C CAPACITOR	1uF 16V K	1	
	C3713	NDC31HJ-561X	C CAPACITOR	560pF 50V J	1	
	C3714	NCB31CK-104X	C CAPACITOR	0.1uF 16V	1	
	C3715	QEKJ1CM-476Z	E CAPACITOR	47uF 16V M	1	
	C3716	NCB31HK-333X	C CAPACITOR	0.033uF 50V K	1	
	C3717	NCB31HK-333X	C CAPACITOR	0.033uF 50V K	1	
	C3718	NCB31CK-105X	C CAPACITOR	1uF 16V K	1	
	C3719	QEKJ1CM-107Z	E CAPACITOR	100uF 16V M	1	
	C3751	NDC31HJ-101X	C CAPACITOR	100pF 50V J	1	
	C3752	NCB31CK-105X	C CAPACITOR	1uF 16V K	1	
	C3753	NDC31HJ-561X	C CAPACITOR	560pF 50V J	1	
	C3754	NCB31CK-104X	C CAPACITOR	0.1uF 16V	1	
	C3801	NCB11CK-225X	C CAPACITOR	2.2uF 16V K	1	
	C3802	NCB11CK-225X	C CAPACITOR	2.2uF 16V K	1	
	C3803	NCB31CK-474X	C CAPACITOR	0.47uF 16V K	1	
	C3804	NCB31CK-105X	C CAPACITOR	1uF 16V K	1	
	C3805	NCB31CK-105X	C CAPACITOR	1uF 16V K	1	
	C3806	NDC31HJ-680X	C CAPACITOR	68pF 50V J	1	
	C3807	NDC31HJ-680X	C CAPACITOR	68pF 50V J	1	
	C3809	NCB31CK-474X	C CAPACITOR	0.47uF 16V K	1	
	C3811	NCJ41CK-476X-A	C CAPACITOR	47uF 16V K	1	
	C3814	NCB31HK-471X	C CAPACITOR	470pF 50V K	1	
	C3815	NCJ41CK-476X-A	C CAPACITOR	47uF 16V K	1	
	C3816	NCJ21CK-106X-R	C CAPACITOR	10uF 16V K	1	
	C3851	NCB11CK-225X	C CAPACITOR	2.2uF 16V K	1	
	C3852	NCB11CK-225X	C CAPACITOR	2.2uF 16V K	1	
	C3853	NCB31CK-474X	C CAPACITOR	0.47uF 16V K	1	
	C3854	NCB31CK-105X	C CAPACITOR	1uF 16V K	1	
	C3855	NCB31CK-105X	C CAPACITOR	1uF 16V K	1	
	C3856	NDC31HJ-680X	C CAPACITOR	68pF 50V J	1	
	C3857	NDC31HJ-680X	C CAPACITOR	68pF 50V J	1	
	C3859	NCB31CK-474X	C CAPACITOR	0.47uF 16V K	1	

MODEL	MARK	MODEL	MARK
KW-NT310J	A	KW-NT510HDTJ	B

Safe	Symbol No.	Parts No.	Parts Name	Description	QTY	Local
	C3931	NCJ41CK-476X-A	C CAPACITOR	47uF 16V K	1	
	C3932	NCJ41CK-476X-A	C CAPACITOR	47uF 16V K	1	
	C3933	NCJ41CK-476X-A	C CAPACITOR	47uF 16V K	1	
	C3934	NCJ41CK-476X-A	C CAPACITOR	47uF 16V K	1	
	C3951	QE20949-567Z	OS E CAPACITOR	560uF	1	
	C3952	QE20949-567Z	OS E CAPACITOR	560uF	1	
	R3011	NRSA63J-753X	MG RESISTOR	75kΩ 1/16W J	1	
	R3012	NRSA63D-153X	MG RESISTOR	15kΩ 1/16W D	1	
	R3013	NRSA63D-753X	MG RESISTOR	75kΩ 1/16W D	1	
	R3014	NRSA63D-104X	MG RESISTOR	100kΩ 1/16W D	1	
	R3021	NRSA63J-753X	MG RESISTOR	75kΩ 1/16W J	1	
	R3022	NRSA63D-153X	MG RESISTOR	15kΩ 1/16W D	1	
	R3023	NRSA63D-753X	MG RESISTOR	75kΩ 1/16W D	1	
	R3024	NRSA63D-104X	MG RESISTOR	100kΩ 1/16W D	1	
	R3031	NRSA63J-124X	MG RESISTOR	120kΩ 1/16W J	1	
	R3032	NRSA63D-103X	MG RESISTOR	10kΩ 1/16W D	1	
	R3033	NRSA63D-303X	MG RESISTOR	30kΩ 1/16W D	1	
	R3034	NRSA63D-104X	MG RESISTOR	100kΩ 1/16W D	1	
	R3061	NRSA63D-102X	MG RESISTOR	1kΩ 1/16W D	1	
	R3062	NRSA63D-222X	MG RESISTOR	2.2kΩ 1/16W D	1	
	R3211	NRSA63D-123X	MG RESISTOR	12kΩ 1/16W D	1	
	R3212	NRSA63D-114X	MG RESISTOR	110kΩ 1/16W D	1	
	R3213	NRSA63D-822X	MG RESISTOR	8.2kΩ 1/16W D	1	
	R3214	NRSA63D-114X	MG RESISTOR	110kΩ 1/16W D	1	
	R3215	NRSA63J-101X	MG RESISTOR	100Ω 1/16W J	1	
	R3218	NRSA63J-224X	MG RESISTOR	220kΩ 1/16W J	1	
	R3219	NRSA63D-103X	MG RESISTOR	10kΩ 1/16W D	1	
	R3220	NRSA63D-113X	MG RESISTOR	11kΩ 1/16W D	1	
	R3221	NRSA63J-472X	MG RESISTOR	4.7kΩ 1/16W J	1	
	R3222	NRSA63J-472X	MG RESISTOR	4.7kΩ 1/16W J	1	
	R3223	NRS181J-222X	MG RESISTOR	2.2kΩ 1/8W J	1	
	R3224	NRS181J-222X	MG RESISTOR	2.2kΩ 1/8W J	1	
	R3411	NRSA63J-101X	MG RESISTOR	100Ω 1/16W J	1	
	R3421	NRSA63J-101X	MG RESISTOR	100Ω 1/16W J	1	
	R3431	NRSA63J-750X	MG RESISTOR	75Ω 1/16W J	1	
	R3441	NRSA63J-152X	MG RESISTOR	1.5kΩ 1/16W J	1	
	R3442	NRSA63J-181X	MG RESISTOR	180Ω 1/16W J	1	
	R3451	NRSA63J-750X	MG RESISTOR	75Ω 1/16W J	1	
	R3511	NRSA63J-104X	MG RESISTOR	100kΩ 1/16W J	1	
	R3512	NRSA63J-104X	MG RESISTOR	100kΩ 1/16W J	1	
	R3611	NRSA63J-181X	MG RESISTOR	180Ω 1/16W J	1	
	R3612	NRSA63J-181X	MG RESISTOR	180Ω 1/16W J	1	
	R3613	NRSA63J-821X	MG RESISTOR	820Ω 1/16W J	1	
	R3614	NRSA63J-821X	MG RESISTOR	820Ω 1/16W J	1	
	R3615	NRSA63J-152X	MG RESISTOR	1.5kΩ 1/16W J	1	
	R3616	NRSA63J-152X	MG RESISTOR	1.5kΩ 1/16W J	1	
	R3651	NRSA63J-181X	MG RESISTOR	180Ω 1/16W J	1	
	R3652	NRSA63J-181X	MG RESISTOR	180Ω 1/16W J	1	
	R3653	NRSA63J-821X	MG RESISTOR	820Ω 1/16W J	1	
	R3654	NRSA63J-821X	MG RESISTOR	820Ω 1/16W J	1	
	R3655	NRSA63J-152X	MG RESISTOR	1.5kΩ 1/16W J	1	
	R3656	NRSA63J-152X	MG RESISTOR	1.5kΩ 1/16W J	1	
	R3660	NRSA63J-471X	MG RESISTOR	470Ω 1/16W J	1	
	R3661	NRSA63J-471X	MG RESISTOR	470Ω 1/16W J	1	
	R3711	NRSA63J-822X	MG RESISTOR	8.2kΩ 1/16W J	1	
	R3712	NRSA63J-122X	MG RESISTOR	1.2kΩ 1/16W J	1	
	R3713	NRSA63J-333X	MG RESISTOR	33kΩ 1/16W J	1	
	R3714	NRSA63J-680X	MG RESISTOR	68Ω 1/16W J	1	
	R3715	NRSA63J-223X	MG RESISTOR	22kΩ 1/16W J	1	
	R3716	NRSA63J-223X	MG RESISTOR	22kΩ 1/16W J	1	
	R3717	NRSA63J-333X	MG RESISTOR	33kΩ 1/16W J	1	
	R3718	NRSA63J-822X	MG RESISTOR	8.2kΩ 1/16W J	1	
	R3719	NRSA63J-102X	MG RESISTOR	1kΩ 1/16W J	1	
	R3720	NRSA63J-103X	MG RESISTOR	10kΩ 1/16W J	1	
	R3751	NRSA63J-822X	MG RESISTOR	8.2kΩ 1/16W J	1	
	R3752	NRSA63J-122X	MG RESISTOR	1.2kΩ 1/16W J	1	
	R3753	NRSA63J-333X	MG RESISTOR	33kΩ 1/16W J	1	
	R3754	NRSA63J-680X	MG RESISTOR	68Ω 1/16W J	1	
	R3801	NRSA63J-123X	MG RESISTOR	12kΩ 1/16W J	1	
	R3802	NRSA63J-123X	MG RESISTOR	12kΩ 1/16W J	1	
	R3803	NRSA63J-223X	MG RESISTOR	22kΩ 1/16W J	1	
	R3804	NRSA63J-223X	MG RESISTOR	22kΩ 1/16W J	1	
	R3805	NRSA63J-223X	MG RESISTOR	22kΩ 1/16W J	1	
	R3806	NRSA63J-223X	MG RESISTOR	22kΩ 1/16W J	1	
	R3807	NRSA63J-223X	MG RESISTOR	22kΩ 1/16W J	1	
	R3808	NRSA63J-223X	MG RESISTOR	22kΩ 1/16W J	1	
	R3809	NRSA63J-223X	MG RESISTOR	22kΩ 1/16W J	1	
	R3810	NRSA63J-223X	MG RESISTOR	22kΩ 1/16W J	1	
	R3811	NRSA63J-472X	MG RESISTOR	4.7kΩ 1/16W J	1	
	R3812	NRSA63J-472X	MG RESISTOR	4.7kΩ 1/16W J	1	
	R3813	NRSA63D-473X	MG RESISTOR	47kΩ 1/16W D	1	
	R3851	NRSA63J-123X	MG RESISTOR	12kΩ 1/16W J	1	
	R3852	NRSA63J-123X	MG RESISTOR	12kΩ 1/16W J	1	
	R3853	NRSA63J-223X	MG RESISTOR	22kΩ 1/16W J	1	
	R3854	NRSA63J-223X	MG RESISTOR	22kΩ 1/16W J	1	
	R3855	NRSA63J-223X	MG RESISTOR	22kΩ 1/16W J	1	
	R3856	NRSA63J-223X	MG RESISTOR	22kΩ 1/16W J	1	
	R3857	NRSA63J-223X	MG RESISTOR	22kΩ 1/16W J	1	
	R3858	NRSA63J-223X	MG RESISTOR	22kΩ 1/16W J	1	
	R3859	NRSA63J-223X	MG RESISTOR	22kΩ 1/16W J	1	
	R3860	NRSA63J-223X	MG RESISTOR	22kΩ 1/16W J	1	
	R3861	NRSA63J-472X	MG RESISTOR	4.7kΩ 1/16W J	1	

MODEL	MARK	MODEL	MARK
KW-NT310J	A	KW-NT510HDTJ	B

Safe	Symbol No.	Parts No.	Parts Name	Description	QTY	Local
	R3862	NRSA63J-472X	MG RESISTOR	4.7kΩ 1/16W J	1	
	R3911	NRSA63J-471X	MG RESISTOR	470Ω 1/16W J	1	
	R3951	NRS181J-680X	MG RESISTOR	68Ω 1/8W J	1	
	RA341	NRB04DJ-301X	NET RESISTOR	300Ω J	1	
	RA342	NRB04DJ-301X	NET RESISTOR	300Ω J	1	
	RA343	NRB04DJ-301X	NET RESISTOR	300Ω J	1	
	L3001	NQLC8CM-220X	COIL	22uH M	1	
	L3011	NQL71EM-220X	COIL	22uH M	1	
	L3021	NQL71EM-220X	COIL	22uH M	1	
	L3031	NQL71EM-330X	COIL	33uH M	1	
	L3111	NQL79GM-470X	COIL	47uH M	1	
	L3201	NQL79GM-4R7X	COIL	4.7uH M	1	
	L3211	NQLG4EM-220X	COIL	22uH M	1	
	L3212	NQL79GM-220X	COIL	22uH M	1	
	L3213	NQL79GM-100X	COIL	10uH M	1	
	L3214	NQL79GM-100X	COIL	10uH M	1	
	L3215	NQL79GM-100X	COIL	10uH M	1	
	L3411	NQL79GM-470X	COIL	47uH M	1	
	L3711	NQL79GM-470X	COIL	47uH M	1	
	L3801	NQL79GM-4R7X	COIL	4.7uH M	1	
	CN311	QGA1217C2-06X	CONNECTOR	W-B (1-6)	1	
	CN331	QGA2001F6-02X	CONNECTOR	W-B (1-2)	1	
	CN351	QGA2015F1-20	CONNECTOR	W-B (1-20)	1	
	CN391	QGB0815K3-80X	CONNECTOR	B-B (1-80)	1	
	CN392	QGB0815K3-60X	CONNECTOR	B-B (1-60)	1	
	CN393	QGF0534F2-50X	CONNECTOR	FFC/FPC (1-50)	1	
	CN395	QGB0812M8-80X	CONNECTOR	B-B (1-80)	1	
	CN396	QGB0816M1-40X	CONNECTOR	B-B (1-40)	1	
△	F3021	NMFZ018-3R0X-E	FUSE	3A	1	
△	F3201	NMFZ018-1R5X-E	FUSE	1.5A	1	
	J341	QNS0310-001	3.5 JACK		1	
	J371	QNS0301-002	3.5 JACK		1	
	K3711	NRSA63J-0R0X	MG RESISTOR	0Ω 1/10W J	1	
	K3751	NRSA63J-0R0X	MG RESISTOR	0Ω 1/10W J	1	
	VA351	NAF0027-002X	VARISTOR(ZNR)		1	
	VA352	NAF0027-002X	VARISTOR(ZNR)		1	
	VA353	NAF0027-002X	VARISTOR(ZNR)		1	
	VA354	NAF0027-002X	VARISTOR(ZNR)		1	
	VA355	NAF0027-002X	VARISTOR(ZNR)		1	
	VA356	NAF0027-002X	VARISTOR(ZNR)		1	
	VA357	NAF0027-002X	VARISTOR(ZNR)		1	
FRONT UNIT (LVA11113-11A) <05>						
	IC401	NAL0066-001X	GYRO SENSOR		1	
	IC404	NJM2871BF33-X	IC		1	
	IC405	ADC124S021CI-X	IC		1	
	IC451	NAL0112-003X	BT MODULE		1	
	D4571	RKZ3.3B2KG-X	Z DIODE		1	
	C4011	NCB31CK-105X	C CAPACITOR	1uF 16V K	1	
	C4012	NDC31HJ-101X	C CAPACITOR	100pF 50V J	1	
	C4013	NCB31CK-224X	C CAPACITOR	0.22uF 16V K	1	
	C4041	NCB31CK-105X	C CAPACITOR	1uF 16V K	1	
	C4042	NCB31HK-104X	C CAPACITOR	0.1uF 50V K	1	
	C4043	NCB31HK-103X	C CAPACITOR	0.01uF 50V K	1	
	C4051	NCB31CK-105X	C CAPACITOR	1uF 16V K	1	
	C4541	NCB31HK-103X	C CAPACITOR	0.01uF 50V K	1	
	C4570	NCB31CK-104X	C CAPACITOR	0.1uF 16V	1	
	C4571	NCB31CK-104X	C CAPACITOR	0.1uF 16V	1	
	C4574	NCB31CK-105X	C CAPACITOR	1uF 16V K	1	
	C4575	NCB31CK-105X	C CAPACITOR	1uF 16V K	1	
	C4576	NCB31HK-103X	C CAPACITOR	0.01uF 50V K	1	
	C4578	NCJ41CK-476X-A	C CAPACITOR	47uF 16V K	1	
	R4011	NRSA63D-472X	MG RESISTOR	4.7kΩ 1/16W D	1	
	R4012	NRSA63D-472X	MG RESISTOR	4.7kΩ 1/16W D	1	
	R4013	NRSA63D-472X	MG RESISTOR	4.7kΩ 1/16W D	1	
	R4051	NRSA63J-0R0X	MG RESISTOR	0Ω 1/10W J	1	
	R4052	NRSA63J-0R0X	MG RESISTOR	0Ω 1/10W J	1	
	R4053	NRSA63J-0R0X	MG RESISTOR	0Ω 1/10W J	1	
	R4570	NRSA63J-0R0X	MG RESISTOR	0Ω 1/10W J	1	
	R4571	NRSA63J-0R0X	MG RESISTOR	0Ω 1/10W J	1	
	R4572	NRSA63J-0R0X	MG RESISTOR	0Ω 1/10W J	1	
	R4573	NRSA63J-0R0X	MG RESISTOR	0Ω 1/10W J	1	
	R4576	NRSA63J-331X	MG RESISTOR	330Ω 1/16W J	1	
	R4577	NRSA63J-331X	MG RESISTOR	330Ω 1/16W J	1	
	R4578	NRSA63J-0R0X	MG RESISTOR	0Ω 1/10W J	1	
	R4579	NRSA63J-0R0X	MG RESISTOR	0Ω 1/10W J	1	
	R4580	NRSA63J-0R0X	MG RESISTOR	0Ω 1/10W J	1	
	L4501	NQL10A3-4N7X	COIL	4.7nH 3	1	
	CN401	QGA1217C2-06X	CONNECTOR	W-B (1-6)	1	
	CN451	QGB0815J4-60X	CONNECTOR	B-B (1-60)	1	
	CN452	QGB0815J4-80X	CONNECTOR	B-B (1-80)	1	
	CN453	QGB0815J4-60X	CONNECTOR	B-B (1-60)	1	
	CN454	QGB0815J4-80X	CONNECTOR	B-B (1-80)	1	
	CN455	QGA1217C2-03X	CONNECTOR	W-B (1-3)	1	
	J4501	NNZ0136-001X	RF CONNECTOR		1	
GPS UNIT (LVA11051-05A) <06>						
	IC442	MM3271FU-X	IC		1	
	IC443	NAU0010-003X	RF MODULE		1	
	IC444	XC6401FH25DG-X	IC		1	
	IC445	IC-PST3625U-X	IC		1	
	IC446	TC74LCX07FT-F-X	IC(DIGITAL)		1	
	Q4481	RTR020P02-X	MOS FET		1	

MODEL	MARK	MODEL	MARK
KW-NT310J	A	KW-NT510HDTJ	B

Safe	Symbol No.	Parts No.	Parts Name	Description	QTY	Local
	D4421	1SS357-X	DIODE		1	
	D4422	1SS357-X	DIODE		1	
	C4401	NDCA1HJ-101W	C CAPACITOR	100pF 50V J	1	
	C4402	NDCA1HJ-101W	C CAPACITOR	100pF 50V J	1	
	C4403	NCJ20JM-226X-A	C CAPACITOR	22uF 6.3V M	1	
	C4404	NDCA1HJ-120W	C CAPACITOR	12pF 50V J	1	
	C4405	NDCA1HJ-120W	C CAPACITOR	12pF 50V J	1	
	C4406	NDCA1HJ-101W	C CAPACITOR	100pF 50V J	1	
	C4407	NDCA1HJ-101W	C CAPACITOR	100pF 50V J	1	
	C4408	NDCA1HJ-101W	C CAPACITOR	100pF 50V J	1	
	C4409	NDCA1HJ-101W	C CAPACITOR	100pF 50V J	1	
	C4410	NDCA1HJ-101W	C CAPACITOR	100pF 50V J	1	
	C4411	NDCA1HJ-101W	C CAPACITOR	100pF 50V J	1	
	C4412	NDCA1HJ-101W	C CAPACITOR	100pF 50V J	1	
	C4421	NDCA1HJ-101W	C CAPACITOR	100pF 50V J	1	
	C4422	NCBA1AK-104W	C CAPACITOR	0.1uF 10V K	1	
	C4423	NCBA1AK-104W	C CAPACITOR	0.1uF 10V K	1	
	C4431	NDCA1HJ-101W	C CAPACITOR	100pF 50V J	1	
	C4432	NDCA1HJ-102W	C CAPACITOR	1000pF 50V J	1	
	C4433	NCB31CK-105X	C CAPACITOR	1uF 16V K	1	
	C4434	NDCA1HJ-120W	C CAPACITOR	12pF 50V J	1	
	C4435	NDCA1HJ-120W	C CAPACITOR	12pF 50V J	1	
	C4436	NCB21AK-225X-A	C CAPACITOR	2.2uF 10V K	1	
	C4437	NCB31CK-105X	C CAPACITOR	1uF 16V K	1	
	C4438	NCB31CK-105X	C CAPACITOR	1uF 16V K	1	
	C4441	NDCA1HJ-101W	C CAPACITOR	100pF 50V J	1	
	C4442	NCJ20JM-226X-A	C CAPACITOR	22uF 6.3V M	1	
	C4443	NCB21AK-225X-A	C CAPACITOR	2.2uF 10V K	1	
	C4444	NCB21AK-225X-A	C CAPACITOR	2.2uF 10V K	1	
	C4445	NDCA1HJ-471W	C CAPACITOR	470pF 50V J	1	
	C4451	NCBA1AK-104W	C CAPACITOR	0.1uF 10V K	1	
	C4452	NCB31CK-474X	C CAPACITOR	0.47uF 16V K	1	
	C4461	NCBA1AK-104W	C CAPACITOR	0.1uF 10V K	1	
	C4481	NDCA1HJ-101W	C CAPACITOR	100pF 50V J	1	
	C4482	NDCA1HJ-4R0W	C CAPACITOR	4pF 50V J	1	
	C4483	NDCA1HJ-2R0W	C CAPACITOR	2pF 50V J	1	
	C4484	NDCA1HJ-120W	C CAPACITOR	12pF 50V J	1	
	R4401	NRSA6AJ-221W	MG RESISTOR	220Ω 1/16W J	1	
	R4402	NRSA6AJ-101W	MG RESISTOR	100Ω 1/16W J	1	
	R4403	NRSA6AJ-101W	MG RESISTOR	100Ω 1/16W J	1	
	R4404	NRSA6AJ-101W	MG RESISTOR	100Ω 1/16W J	1	
	R4405	NRSA6AJ-101W	MG RESISTOR	100Ω 1/16W J	1	
	R4406	NRSA6AJ-101W	MG RESISTOR	100Ω 1/16W J	1	
	R4407	NRSA6AJ-101W	MG RESISTOR	100Ω 1/16W J	1	
	R4408	NRSA6AJ-101W	MG RESISTOR	100Ω 1/16W J	1	
	R4409	NRSA6AJ-0R0W	MG RESISTOR	0Ω 1/16W J	1	
	R4421	NRSA6AJ-103W	MG RESISTOR	10kΩ 1/16W J	1	
	R4431	NRSA6AJ-472W	MG RESISTOR	4.7kΩ 1/16W J	1	
	R4433	NRSA6AJ-103W	MG RESISTOR	10kΩ 1/16W J	1	
	R4442	NRSA6AJ-104W	MG RESISTOR	100kΩ 1/16W J	1	
	R4443	NRSA6AJ-101W	MG RESISTOR	100Ω 1/16W J	1	
	R4451	NRSA6AJ-104W	MG RESISTOR	100kΩ 1/16W J	1	
	R4461	NRSA6AJ-222W	MG RESISTOR	2.2kΩ 1/16W J	1	
	R4462	NRSA6AJ-103W	MG RESISTOR	10kΩ 1/16W J	1	
	R4463	NRSA6AJ-103W	MG RESISTOR	10kΩ 1/16W J	1	
	R4464	NRSA6AJ-103W	MG RESISTOR	10kΩ 1/16W J	1	
	R4465	NRSA6AJ-103W	MG RESISTOR	10kΩ 1/16W J	1	
	R4471	NRSA6AJ-0R0W	MG RESISTOR	0Ω 1/16W J	1	
	R4472	NRSA6AJ-0R0W	MG RESISTOR	0Ω 1/16W J	1	
	R4481	NRSA6AJ-0R0W	MG RESISTOR	0Ω 1/16W J	1	
	R4482	NRSA6AD-122W	MG RESISTOR	1.2kΩ 1/16W D	1	
	R4483	NRSA6AJ-3R9W	MG RESISTOR	3.9Ω 1/16W J	1	
	R4484	NRSA6AD-122W	MG RESISTOR	1.2kΩ 1/16W D	1	
	R4485	NRSA6AJ-220W	MG RESISTOR	22Ω 1/16W J	1	
	R4486	NRSA6AJ-103W	MG RESISTOR	10kΩ 1/16W J	1	
	L4401	NQL79GM-470X	COIL	47uH M	1	
	L4431	NQR0436-001X	EMI FILTER		1	
	L4461	NQR0269-014X	FERRITE BEADS		1	
	L4462	NQR0269-014X	FERRITE BEADS		1	
	L4481	NQL10AJ-39NX	COIL	39nH J	1	
	L4482	NQL10A3-2N7X	COIL	2.7nH 3	1	
	L4484	NQR0652-001X	EMI FILTER		1	
	CN440	QGF0536C3-20W	CONNECTOR	FFC/FPC (1-20)	1	
	CN448	QNZ1055-001	COAXIAL JACK		1	
NAVI UNIT (LVA11109-16A) <03>						
	IC501	R8A77250D533BG	IC(MCU)		1	
	IC521	MB88154A-113-X	IC(DIGITAL)		1	
	IC523	TC7SZU04FU-X	IC		1	
	IC531	JVM560B	PROGRAMED IC		1	
	IC541	MB85R1002ANC	IC(DIGITAL)		1	
	IC551	H5PS1G63JFRS5C	IC		1	
	IC552	H5PS1G63JFRS5C	IC		1	
	IC581	JVM629C	IC(DIGITAL)		1	
	IC601	ML86V8202TBZ3A	IC		1	
	IC612	AK4387ET-X	IC		1	
	IC651	MFI341S2162-X	IC		1	
	IC661	BD00KA5WFP-X	IC		1	
	IC662	NJM2855DL1-18-X	IC		1	
	IC663	BD18KA5WF-X	IC		1	
	IC664	BD00C0AWFP-X	IC		1	
	IC665	NJM2819ADL333-X	IC		1	
	IC666	S-1132B33-G-W	IC		1	
	IC667	NJM2855DL1-05-X	IC		1	
	Q691	12A02CH-X	TRANSISTOR		1	

MODEL	MARK	MODEL	MARK
KW-NT310J	A	KW-NT510HDTJ	B

Safe	Symbol No.	Parts No.	Parts Name	Description	QTY	Local
	Q692	LTC014YUB-X	DIGI TRANSISTOR		1	
	D6641	GS1J-LTP-X	SI DIODE		1	
	D6642	GS1J-LTP-X	SI DIODE		1	
	D6661	MBRX130-TP-X	SB DIODE		1	
	C591	NCBA1HK-102W	C CAPACITOR	1000pF 50V K	1	
	C651	NCBA1AK-104W	C CAPACITOR	0.1uF 10V K	1	
	C5001	NCBA1AK-104W	C CAPACITOR	0.1uF 10V K	1	
	C5002	NCBA1AK-104W	C CAPACITOR	0.1uF 10V K	1	
	C5003	NCBA1AK-104W	C CAPACITOR	0.1uF 10V K	1	
	C5004	NCBA1AK-104W	C CAPACITOR	0.1uF 10V K	1	
	C5005	NCBA1AK-104W	C CAPACITOR	0.1uF 10V K	1	
	C5006	NCBA1AK-104W	C CAPACITOR	0.1uF 10V K	1	
	C5007	NCBA1AK-104W	C CAPACITOR	0.1uF 10V K	1	
	C5008	NCBA1AK-104W	C CAPACITOR	0.1uF 10V K	1	
	C5009	NCBA1AK-104W	C CAPACITOR	0.1uF 10V K	1	
	C5010	NCBA1AK-104W	C CAPACITOR	0.1uF 10V K	1	
	C5011	NCBA1AK-104W	C CAPACITOR	0.1uF 10V K	1	
	C5012	NCBA1AK-104W	C CAPACITOR	0.1uF 10V K	1	
	C5013	NCBA1AK-104W	C CAPACITOR	0.1uF 10V K	1	
	C5014	NCBA1AK-104W	C CAPACITOR	0.1uF 10V K	1	
	C5015	NCBA1AK-104W	C CAPACITOR	0.1uF 10V K	1	
	C5016	NCBA1AK-104W	C CAPACITOR	0.1uF 10V K	1	
	C5017	NCBA1AK-104W	C CAPACITOR	0.1uF 10V K	1	
	C5018	NCBA1AK-104W	C CAPACITOR	0.1uF 10V K	1	
	C5019	NCBA1AK-104W	C CAPACITOR	0.1uF 10V K	1	
	C5020	NCBA1AK-104W	C CAPACITOR	0.1uF 10V K	1	
	C5021	NCBA1AK-104W	C CAPACITOR	0.1uF 10V K	1	
	C5022	NCBA1AK-104W	C CAPACITOR	0.1uF 10V K	1	
	C5023	NCBA1AK-104W	C CAPACITOR	0.1uF 10V K	1	
	C5024	NCBA1AK-104W	C CAPACITOR	0.1uF 10V K	1	
	C5025	NCBA1AK-104W	C CAPACITOR	0.1uF 10V K	1	
	C5026	NCBA1AK-104W	C CAPACITOR	0.1uF 10V K	1	
	C5027	NCBA1AK-104W	C CAPACITOR	0.1uF 10V K	1	
	C5028	NCBA1AK-104W	C CAPACITOR	0.1uF 10V K	1	
	C5029	NCBA1AK-104W	C CAPACITOR	0.1uF 10V K	1	
	C5030	NCBA1AK-104W	C CAPACITOR	0.1uF 10V K	1	
	C5031	NCBA1AK-104W	C CAPACITOR	0.1uF 10V K	1	
	C5032	NCBA1AK-104W	C CAPACITOR	0.1uF 10V K	1	
	C5033	NCBA1AK-104W	C CAPACITOR	0.1uF 10V K	1	
	C5034	NCBA1AK-104W	C CAPACITOR	0.1uF 10V K	1	
	C5035	NCBA1AK-104W	C CAPACITOR	0.1uF 10V K	1	
	C5036	NCBA1AK-104W	C CAPACITOR	0.1uF 10V K	1	
	C5037	NCBA1AK-104W	C CAPACITOR	0.1uF 10V K	1	
	C5038	NCBA1AK-104W	C CAPACITOR	0.1uF 10V K	1	
	C5039	NCBA1AK-104W	C CAPACITOR	0.1uF 10V K	1	
	C5040	NCBA1AK-104W	C CAPACITOR	0.1uF 10V K	1	
	C5041	NCBA1AK-104W	C CAPACITOR	0.1uF 10V K	1	
	C5042	NCBA1AK-104W	C CAPACITOR	0.1uF 10V K	1	
	C5043	NCBA1AK-104W	C CAPACITOR	0.1uF 10V K	1	
	C5044	NCBA1AK-104W	C CAPACITOR	0.1uF 10V K	1	
	C5045	NCBA1AK-104W	C CAPACITOR	0.1uF 10V K	1	
	C5046	NCBA1AK-104W	C CAPACITOR	0.1uF 10V K	1	
	C5047	NCBA1AK-104W	C CAPACITOR	0.1uF 10V K	1	
	C5048	NCBA1AK-104W	C CAPACITOR	0.1uF 10V K	1	
	C5049	NCBA1AK-104W	C CAPACITOR	0.1uF 10V K	1	
	C5050	NCBA1AK-104W	C CAPACITOR	0.1uF 10V K	1	
	C5051	NCBA1AK-104W	C CAPACITOR	0.1uF 10V K	1	
	C5052	NCBA1AK-104W	C CAPACITOR	0.1uF 10V K	1	
	C5053	NCBA1AK-104W	C CAPACITOR	0.1uF 10V K	1	
	C5054	NCBA1AK-104W	C CAPACITOR	0.1uF 10V K	1	
	C5055	NCBA1AK-104W	C CAPACITOR	0.1uF 10V K	1	
	C5056	NCBA1AK-104W	C CAPACITOR	0.1uF 10V K	1	
	C5057	NCBA1AK-104W	C CAPACITOR	0.1uF 10V K	1	
	C5058	NCBA1AK-104W	C CAPACITOR	0.1uF 10V K	1	
	C5059	NCBA1AK-104W	C CAPACITOR	0.1uF 10V K	1	
	C5061	NBZ0045-157X	OS E CAPACITOR	150uF	1	
	C5062	NBZ0045-157X	OS E CAPACITOR	150uF	1	
	C5063	NCBA1AK-104W	C CAPACITOR	0.1uF 10V K	1	
	C5064	NCBA1AK-104W	C CAPACITOR	0.1uF 10V K	1	
	C5211	NDCA1HJ-5R0W	C CAPACITOR	5pF 50V J	1	
	C5212	NDCA1HJ-5R0W	C CAPACITOR	5pF 50V J	1	
	C5213	NCBA1AK-104W	C CAPACITOR	0.1uF 10V K	1	
	C5221	NDCA1HJ-8R0W	C CAPACITOR	8pF 50V J	1	
	C5222	NDCA1HJ-100W	C CAPACITOR	10pF 50V J	1	
	C5231	NCBA1AK-104W	C CAPACITOR	0.1uF 10V K	1	
	C5232	NDCA1HJ-100W	C CAPACITOR	10pF 50V J	1	
	C5233	NDCA1HJ-100W	C CAPACITOR	10pF 50V J	1	
	C5311	NBE40JM-107X	TA E CAPACITOR	100uF 6.3V M	1	
	C5312	NCBA1AK-104W	C CAPACITOR	0.1uF 10V K	1	
	C5313	NCBA1AK-104W	C CAPACITOR	0.1uF 10V K	1	
	C5411	NCBA1AK-104W	C CAPACITOR	0.1uF 10V K	1	
	C5412	NCBA1AK-104W	C CAPACITOR	0.1uF 10V K	1	
	C5511	NCBA1AK-104W	C CAPACITOR	0.1uF 10V K	1	
	C5512	NCBA1AK-104W	C CAPACITOR	0.1uF 10V K	1	
	C5513	NCBA1AK-104W	C CAPACITOR	0.1uF 10V K	1	
	C5514	NCBA1AK-104W	C CAPACITOR	0.1uF 10V K	1	
	C5515	NCBA1AK-104W	C CAPACITOR	0.1uF 10V K	1	
	C5516	NCBA1AK-104W	C CAPACITOR	0.1uF 10V K	1	
	C5517	NCBA1AK-104W	C CAPACITOR	0.1uF 10V K	1	
	C5518	NCBA1AK-104W	C CAPACITOR	0.1uF 10V K	1	
	C5519	NCBA1AK-104W	C CAPACITOR	0.1uF 10V K	1	
	C5520	NCBA1AK-104W	C CAPACITOR	0.1uF 10V K	1	

MODEL	MARK	MODEL	MARK
KW-NT310J	A	KW-NT510HDTJ	B

Safe	Symbol No.	Parts No.	Parts Name	Description	QTY	Local
	C5521	NCBA1AK-104W	C CAPACITOR	0.1uF 10V K	1	
	C5522	NCBA1AK-104W	C CAPACITOR	0.1uF 10V K	1	
	C5523	NCBA1AK-104W	C CAPACITOR	0.1uF 10V K	1	
	C5524	NCBA1AK-104W	C CAPACITOR	0.1uF 10V K	1	
	C5525	NCBA1AK-104W	C CAPACITOR	0.1uF 10V K	1	
	C5526	NCBA1AK-104W	C CAPACITOR	0.1uF 10V K	1	
	C5527	NCBA1AK-104W	C CAPACITOR	0.1uF 10V K	1	
	C5528	NCBA1AK-104W	C CAPACITOR	0.1uF 10V K	1	
	C5529	NDCA1HJ-181W	C CAPACITOR	180pF 50V J	1	
	C5530	NDCA1HJ-181W	C CAPACITOR	180pF 50V J	1	
	C5531	NDCA1HJ-181W	C CAPACITOR	180pF 50V J	1	
	C5532	NDCA1HJ-181W	C CAPACITOR	180pF 50V J	1	
	C5533	NDCA1HJ-181W	C CAPACITOR	180pF 50V J	1	
	C5534	NDCA1HJ-181W	C CAPACITOR	180pF 50V J	1	
	C5535	NDCA1HJ-181W	C CAPACITOR	180pF 50V J	1	
	C5536	NDCA1HJ-181W	C CAPACITOR	180pF 50V J	1	
	C5537	NDCA1HJ-181W	C CAPACITOR	180pF 50V J	1	
	C5538	NDCA1HJ-181W	C CAPACITOR	180pF 50V J	1	
	C5539	NDCA1HJ-181W	C CAPACITOR	180pF 50V J	1	
	C5540	NDCA1HJ-181W	C CAPACITOR	180pF 50V J	1	
	C5541	NDCA1HJ-181W	C CAPACITOR	180pF 50V J	1	
	C5542	NDCA1HJ-181W	C CAPACITOR	180pF 50V J	1	
	C5543	NDCA1HJ-181W	C CAPACITOR	180pF 50V J	1	
	C5544	NDCA1HJ-181W	C CAPACITOR	180pF 50V J	1	
	C5545	NCBA1AK-104W	C CAPACITOR	0.1uF 10V K	1	
	C5546	NCBA1AK-104W	C CAPACITOR	0.1uF 10V K	1	
	C5547	NCBA1AK-104W	C CAPACITOR	0.1uF 10V K	1	
	C5548	NCBA1AK-104W	C CAPACITOR	0.1uF 10V K	1	
	C5549	NCBA1AK-104W	C CAPACITOR	0.1uF 10V K	1	
	C5550	NCBA1AK-104W	C CAPACITOR	0.1uF 10V K	1	
	C5551	NCBA1AK-104W	C CAPACITOR	0.1uF 10V K	1	
	C5552	NCBA1AK-104W	C CAPACITOR	0.1uF 10V K	1	
	C5553	NCBA1AK-104W	C CAPACITOR	0.1uF 10V K	1	
	C5554	NCBA1AK-104W	C CAPACITOR	0.1uF 10V K	1	
	C5555	NCBA1AK-104W	C CAPACITOR	0.1uF 10V K	1	
	C5556	NCBA1AK-104W	C CAPACITOR	0.1uF 10V K	1	
	C5557	NCBA1AK-104W	C CAPACITOR	0.1uF 10V K	1	
	C5558	NCBA1AK-104W	C CAPACITOR	0.1uF 10V K	1	
	C5559	NCBA1AK-104W	C CAPACITOR	0.1uF 10V K	1	
	C5560	NCBA1AK-104W	C CAPACITOR	0.1uF 10V K	1	
	C5561	NCBA1AK-104W	C CAPACITOR	0.1uF 10V K	1	
	C5562	NCBA1AK-104W	C CAPACITOR	0.1uF 10V K	1	
	C5563	NDCA1HJ-181W	C CAPACITOR	180pF 50V J	1	
	C5564	NDCA1HJ-181W	C CAPACITOR	180pF 50V J	1	
	C5565	NDCA1HJ-181W	C CAPACITOR	180pF 50V J	1	
	C5566	NDCA1HJ-181W	C CAPACITOR	180pF 50V J	1	
	C5567	NDCA1HJ-181W	C CAPACITOR	180pF 50V J	1	
	C5568	NDCA1HJ-181W	C CAPACITOR	180pF 50V J	1	
	C5569	NDCA1HJ-181W	C CAPACITOR	180pF 50V J	1	
	C5570	NDCA1HJ-181W	C CAPACITOR	180pF 50V J	1	
	C5571	NDCA1HJ-181W	C CAPACITOR	180pF 50V J	1	
	C5572	NDCA1HJ-181W	C CAPACITOR	180pF 50V J	1	
	C5573	NDCA1HJ-181W	C CAPACITOR	180pF 50V J	1	
	C5574	NDCA1HJ-181W	C CAPACITOR	180pF 50V J	1	
	C5575	NDCA1HJ-181W	C CAPACITOR	180pF 50V J	1	
	C5576	NDCA1HJ-181W	C CAPACITOR	180pF 50V J	1	
	C5577	NDCA1HJ-181W	C CAPACITOR	180pF 50V J	1	
	C5578	NDCA1HJ-181W	C CAPACITOR	180pF 50V J	1	
	C5579	NBZ0045-157X	OS E CAPACITOR	150uF	1	
	C5801	NCB20JK-106X	C CAPACITOR	10uF 6.3V K	1	
	C5804	NCBA1AK-104W	C CAPACITOR	0.1uF 10V K	1	
	C5805	NCBA1AK-104W	C CAPACITOR	0.1uF 10V K	1	
	C5806	NCBA1AK-104W	C CAPACITOR	0.1uF 10V K	1	
	C5807	NCBA1AK-104W	C CAPACITOR	0.1uF 10V K	1	
	C5808	NCBA1AK-104W	C CAPACITOR	0.1uF 10V K	1	
	C5809	NCBA1AK-104W	C CAPACITOR	0.1uF 10V K	1	
	C5810	NCBA1AK-104W	C CAPACITOR	0.1uF 10V K	1	
	C5820	NBZ0045-157X	OS E CAPACITOR	150uF	1	
	C5821	NDCA1HJ-102W	C CAPACITOR	1000pF 50V J	1	
	C6001	NDCA1HJ-100W	C CAPACITOR	10pF 50V J	1	
	C6002	NDCA1HJ-100W	C CAPACITOR	10pF 50V J	1	
	C6003	NCBA1AK-104W	C CAPACITOR	0.1uF 10V K	1	
	C6004	NCBA1AK-104W	C CAPACITOR	0.1uF 10V K	1	
	C6005	NCB31CK-105X	C CAPACITOR	1uF 16V K	1	
	C6006	NCB31CK-105X	C CAPACITOR	1uF 16V K	1	
	C6007	NCB31CK-105X	C CAPACITOR	1uF 16V K	1	
	C6008	NCB31CK-105X	C CAPACITOR	1uF 16V K	1	
	C6009	NCB31CK-474X	C CAPACITOR	0.47uF 16V K	1	
	C6010	NCB31CK-474X	C CAPACITOR	0.47uF 16V K	1	
	C6011	NCBA1AK-104W	C CAPACITOR	0.1uF 10V K	1	
	C6012	NCB31CK-105X	C CAPACITOR	1uF 16V K	1	
	C6013	NCB31CK-105X	C CAPACITOR	1uF 16V K	1	
	C6014	NCB31CK-105X	C CAPACITOR	1uF 16V K	1	
	C6015	NCBA1AK-104W	C CAPACITOR	0.1uF 10V K	1	
	C6016	NCBA1AK-104W	C CAPACITOR	0.1uF 10V K	1	
	C6017	NCBA1AK-104W	C CAPACITOR	0.1uF 10V K	1	
	C6018	NCBA1AK-104W	C CAPACITOR	0.1uF 10V K	1	
	C6019	NCBA1AK-104W	C CAPACITOR	0.1uF 10V K	1	
	C6020	NCBA1AK-104W	C CAPACITOR	0.1uF 10V K	1	
	C6021	NCBA1AK-104W	C CAPACITOR	0.1uF 10V K	1	
	C6022	NCBA1AK-104W	C CAPACITOR	0.1uF 10V K	1	
	C6023	NCBA1AK-104W	C CAPACITOR	0.1uF 10V K	1	

MODEL	MARK	MODEL	MARK
KW-NT310J	A	KW-NT510HDTJ	B

Safe	Symbol No.	Parts No.	Parts Name	Description	QTY	Local
	C6024	NCB31CK-105X	C CAPACITOR	1uF 16V K	1	
	C6025	NCB20JK-106X	C CAPACITOR	10uF 6.3V K	1	
	C6026	NCB20JK-106X	C CAPACITOR	10uF 6.3V K	1	
	C6027	NCBA1AK-104W	C CAPACITOR	0.1uF 10V K	1	
	C6028	NCB31CK-474X	C CAPACITOR	0.47uF 16V K	1	
	C6029	NCB31CK-105X	C CAPACITOR	1uF 16V K	1	
	C6030	NCBA1AK-104W	C CAPACITOR	0.1uF 10V K	1	
	C6122	NCB20JK-106X	C CAPACITOR	10uF 6.3V K	1	
	C6123	NCB20JK-106X	C CAPACITOR	10uF 6.3V K	1	
	C6124	NDC31HJ-222X	C CAPACITOR	2200pF 50V J	1	
	C6611	NCB20JK-106X	C CAPACITOR	10uF 6.3V K	1	
	C6613	NCB31CK-105X	C CAPACITOR	1uF 16V K	1	
	C6622	NCB20JK-106X	C CAPACITOR	10uF 6.3V K	1	
	C6623	NCB20JK-106X	C CAPACITOR	10uF 6.3V K	1	
	C6632	NCB20JK-106X	C CAPACITOR	10uF 6.3V K	1	
	C6633	NCB21EK-105X	C CAPACITOR	1uF 25V K	1	
	C6642	NCJ21CK-106X-A	C CAPACITOR	10uF 16V K	1	
	C6643	NCB20JK-106X	C CAPACITOR	10uF 6.3V K	1	
	C6645	NCB20JK-106X	C CAPACITOR	10uF 6.3V K	1	
	C6651	NCB20JK-106X	C CAPACITOR	10uF 6.3V K	1	
	C6652	NCB20JK-106X	C CAPACITOR	10uF 6.3V K	1	
	C6661	NCB31HK-104X	C CAPACITOR	0.1uF 50V K	1	
	C6672	NCJ21CK-106X-A	C CAPACITOR	10uF 16V K	1	
	C6673	NCB20JK-106X	C CAPACITOR	10uF 6.3V K	1	
	C6680	NCB20JK-106X	C CAPACITOR	10uF 6.3V K	1	
	C6681	NCB20JK-106X	C CAPACITOR	10uF 6.3V K	1	
	C6703	NCBA1AK-104W	C CAPACITOR	0.1uF 10V K	1	
	C6704	NCJ41CK-476X-A	C CAPACITOR	47uF 16V K	1	
	C6705	NCJ41CK-476X-A	C CAPACITOR	47uF 16V K	1	
	C6706	NCJ41CK-476X-A	C CAPACITOR	47uF 16V K	1	
	C6902	NCB20JK-106X	C CAPACITOR	10uF 6.3V K	1	
	C6904	NCBA1AK-104W	C CAPACITOR	0.1uF 10V K	1	
	R5003	NRSA6AJ-100W	MG RESISTOR	10Ω 1/16W J	1	
	R5004	NRSA6AJ-100W	MG RESISTOR	10Ω 1/16W J	1	
	R5005	NRSA6AJ-100W	MG RESISTOR	10Ω 1/16W J	1	
	R5010	NRSA6AJ-473W	MG RESISTOR	47kΩ 1/16W J	1	
	R5015	NRSA6AJ-100W	MG RESISTOR	10Ω 1/16W J	1	
	R5020	NRSA6AJ-101W	MG RESISTOR	100Ω 1/16W J	1	
	R5024	NRSA6AD-121W	MG RESISTOR	120Ω 1/16W D	1	
	R5040	NRSA6AD-102W	MG RESISTOR	1kΩ 1/16W D	1	
	R5041	NRSA6AD-102W	MG RESISTOR	1kΩ 1/16W D	1	
	R5042	NRSA6AJ-473W	MG RESISTOR	47kΩ 1/16W J	1	
	R5043	NRSA6AJ-101W	MG RESISTOR	100Ω 1/16W J	1	
	R5044	NRSA6AJ-101W	MG RESISTOR	100Ω 1/16W J	1	
	R5055	NRSA6AJ-473W	MG RESISTOR	47kΩ 1/16W J	1	
	R5060	NRSA6AJ-473W	MG RESISTOR	47kΩ 1/16W J	1	
	R5062	NRSA6AJ-473W	MG RESISTOR	47kΩ 1/16W J	1	
	R5064	NRSA6AJ-473W	MG RESISTOR	47kΩ 1/16W J	1	
	R5067	NRSA6AJ-473W	MG RESISTOR	47kΩ 1/16W J	1	
	R5069	NRSA6AJ-473W	MG RESISTOR	47kΩ 1/16W J	1	
	R5071	NRSA6AJ-473W	MG RESISTOR	47kΩ 1/16W J	1	
	R5073	NRSA6AJ-473W	MG RESISTOR	47kΩ 1/16W J	1	
	R5075	NRSA6AJ-473W	MG RESISTOR	47kΩ 1/16W J	1	
	R5078	NRSA6AJ-473W	MG RESISTOR	47kΩ 1/16W J	1	
	R5080	NRSA6AJ-473W	MG RESISTOR	47kΩ 1/16W J	1	
	R5081	NQR0559-006X	FERRITE BEADS		1	
	R5082	NRSA6AJ-101W	MG RESISTOR	100Ω 1/16W J	1	
	R5084	NRSA6AJ-473W	MG RESISTOR	47kΩ 1/16W J	1	
	R5086	NRSA6AJ-473W	MG RESISTOR	47kΩ 1/16W J	1	
	R5087	NQR0559-006X	FERRITE BEADS		1	
	R5088	NQR0559-006X	FERRITE BEADS		1	
	R5090	NRSA6AJ-473W	MG RESISTOR	47kΩ 1/16W J	1	
	R5092	NRSA6AJ-473W	MG RESISTOR	47kΩ 1/16W J	1	
	R5093	NQR0559-006X	FERRITE BEADS		1	
	R5094	NRSA6AJ-101W	MG RESISTOR	100Ω 1/16W J	1	
	R5096	NRSA6AJ-473W	MG RESISTOR	47kΩ 1/16W J	1	
	R5101	NQR0559-006X	FERRITE BEADS		1	
	R5102	NQR0559-006X	FERRITE BEADS		1	
	R5105	NRSA6AJ-101W	MG RESISTOR	100Ω 1/16W J	1	
	R5106	NQR0559-006X	FERRITE BEADS		1	
	R5107	NQR0559-006X	FERRITE BEADS		1	
	R5108	NQR0559-006X	FERRITE BEADS		1	
	R5109	NQR0559-006X	FERRITE BEADS		1	
	R5112	NRSA6AJ-472W	MG RESISTOR	4.7kΩ 1/16W J	1	
	R5113	NRSA6AJ-101W	MG RESISTOR	100Ω 1/16W J	1	
	R5114	NQR0559-006X	FERRITE BEADS		1	
	R5115	NQR0559-006X	FERRITE BEADS		1	
	R5118	NRSA6AJ-472W	MG RESISTOR	4.7kΩ 1/16W J	1	
	R5119	NRSA6AJ-101W	MG RESISTOR	100Ω 1/16W J	1	
	R5120	NRSA6AJ-101W	MG RESISTOR	100Ω 1/16W J	1	
	R5121	NQR0559-006X	FERRITE BEADS		1	
	R5122	NQR0559-006X	FERRITE BEADS		1	
	R5125	NRSA6AJ-101W	MG RESISTOR	100Ω 1/16W J	1	
	R5127	NQR0559-006X	FERRITE BEADS		1	
	R5128	NQR0559-006X	FERRITE BEADS		1	
	R5129	NRSA6AJ-101W	MG RESISTOR	100Ω 1/16W J	1	
	R5130	NQR0559-006X	FERRITE BEADS		1	
	R5131	NQR0559-006X	FERRITE BEADS		1	
	R5132	NQR0559-006X	FERRITE BEADS		1	
	R5133	NQR0559-006X	FERRITE BEADS		1	
	R5137	NQR0559-006X	FERRITE BEADS		1	
	R5138	NQR0559-006X	FERRITE BEADS		1	

MODEL	MARK	MODEL	MARK
KW-NT310J	A	KW-NT510HDTJ	B

Safe	Symbol No.	Parts No.	Parts Name	Description	QTY	Local
	R5140	NRSA6AJ-101W	MG RESISTOR	100Ω 1/16W J	1	
	R5141	NRSA6AJ-220W	MG RESISTOR	22Ω 1/16W J	1	
	R5142	NRSA6AJ-220W	MG RESISTOR	22Ω 1/16W J	1	
	R5143	NRSA6AJ-101W	MG RESISTOR	100Ω 1/16W J	1	
	R5144	NRSA6AJ-101W	MG RESISTOR	100Ω 1/16W J	1	
	R5145	NRSA6AJ-101W	MG RESISTOR	100Ω 1/16W J	1	
	R5149	NRSA6AJ-220W	MG RESISTOR	22Ω 1/16W J	1	
	R5150	NRSA6AJ-473W	MG RESISTOR	47kΩ 1/16W J	1	
	R5151	NRSA6AJ-473W	MG RESISTOR	47kΩ 1/16W J	1	
	R5152	NRSA6AJ-101W	MG RESISTOR	100Ω 1/16W J	1	
	R5153	NRSA6AJ-101W	MG RESISTOR	100Ω 1/16W J	1	
	R5154	NRSA6AJ-101W	MG RESISTOR	100Ω 1/16W J	1	
	R5155	NRSA6AJ-101W	MG RESISTOR	100Ω 1/16W J	1	
	R5159	NRSA6AJ-220W	MG RESISTOR	22Ω 1/16W J	1	
	R5160	NRSA6AJ-220W	MG RESISTOR	22Ω 1/16W J	1	
	R5161	NRSA6AJ-473W	MG RESISTOR	47kΩ 1/16W J	1	
	R5162	NRSA6AJ-473W	MG RESISTOR	47kΩ 1/16W J	1	
	R5163	NRSA6AJ-472W	MG RESISTOR	4.7kΩ 1/16W J	1	
	R5164	NRSA6AJ-101W	MG RESISTOR	100Ω 1/16W J	1	
	R5165	NRSA6AJ-101W	MG RESISTOR	100Ω 1/16W J	1	
	R5166	NRSA6AJ-101W	MG RESISTOR	100Ω 1/16W J	1	
	R5171	NRSA6AJ-220W	MG RESISTOR	22Ω 1/16W J	1	
	R5172	NRSA6AJ-472W	MG RESISTOR	4.7kΩ 1/16W J	1	
	R5173	NRSA6AJ-101W	MG RESISTOR	100Ω 1/16W J	1	
	R5174	NRSA6AJ-101W	MG RESISTOR	100Ω 1/16W J	1	
	R5175	NRSA6AJ-101W	MG RESISTOR	100Ω 1/16W J	1	
	R5176	NRSA6AJ-220W	MG RESISTOR	22Ω 1/16W J	1	
	R5177	NRSA6AJ-220W	MG RESISTOR	22Ω 1/16W J	1	
	R5179	NRSA6AD-562W	MG RESISTOR	5.6kΩ 1/16W D	1	
	R5180	NRSA6AJ-101W	MG RESISTOR	100Ω 1/16W J	1	
	R5181	NRSA6AJ-101W	MG RESISTOR	100Ω 1/16W J	1	
	R5185	NRSA6AJ-101W	MG RESISTOR	100Ω 1/16W J	1	
	R5186	NRSA6AJ-101W	MG RESISTOR	100Ω 1/16W J	1	
	R5212	NRSA6AJ-471W	MG RESISTOR	470Ω 1/16W J	1	
	R5213	NRSA6AJ-220W	MG RESISTOR	22Ω 1/16W J	1	
	R5216	NRSA6AJ-0R0W	MG RESISTOR	0Ω 1/16W J	1	
	R5218	NRSA6AJ-0R0W	MG RESISTOR	0Ω 1/16W J	1	
	R5222	NRSA6AJ-821W	MG RESISTOR	820Ω 1/16W J	1	
	R5231	NRSA6AJ-105W	MG RESISTOR	1MΩ 1/16W J	1	
	R5232	NRSA6AJ-152W	MG RESISTOR	1.5kΩ 1/16W J	1	
	R5233	NRSA6AJ-220W	MG RESISTOR	22Ω 1/16W J	1	
	R5234	NRSA6AJ-103W	MG RESISTOR	10kΩ 1/16W J	1	
	R5235	NRSA6AJ-103W	MG RESISTOR	10kΩ 1/16W J	1	
	R5236	NRSA6AJ-220W	MG RESISTOR	22Ω 1/16W J	1	
	R5312	NRSA6AJ-103W	MG RESISTOR	10kΩ 1/16W J	1	
	R5315	NRSA6AJ-103W	MG RESISTOR	10kΩ 1/16W J	1	
	R5316	NRSA6AJ-470W	MG RESISTOR	47Ω 1/16W J	1	
	R5317	NRSA6AJ-470W	MG RESISTOR	47Ω 1/16W J	1	
	R5318	NRSA6AJ-0R0W	MG RESISTOR	0Ω 1/16W J	1	
	R5411	NRSA6AJ-470W	MG RESISTOR	47Ω 1/16W J	1	
	R5412	NRSA6AJ-470W	MG RESISTOR	47Ω 1/16W J	1	
	R5413	NRSA6AJ-473W	MG RESISTOR	47kΩ 1/16W J	1	
	R5414	NRSA6AJ-473W	MG RESISTOR	47kΩ 1/16W J	1	
	R5511	NRSA6AJ-101W	MG RESISTOR	100Ω 1/16W J	1	
	R5512	NRSA6AD-102W	MG RESISTOR	1kΩ 1/16W D	1	
	R5513	NRSA6AD-102W	MG RESISTOR	1kΩ 1/16W D	1	
	R5514	NRSA6AJ-101W	MG RESISTOR	100Ω 1/16W J	1	
	R5515	NRSA6AD-102W	MG RESISTOR	1kΩ 1/16W D	1	
	R5516	NRSA6AD-102W	MG RESISTOR	1kΩ 1/16W D	1	
	R5801	NRSA6AJ-103W	MG RESISTOR	10kΩ 1/16W J	1	
	R5802	NRSA6AJ-473W	MG RESISTOR	47kΩ 1/16W J	1	
	R5803	NRSA6AJ-272W	MG RESISTOR	2.7kΩ 1/16W J	1	
	R5804	NRSA6AJ-103W	MG RESISTOR	10kΩ 1/16W J	1	
	R5805	NRSA6AJ-102W	MG RESISTOR	1kΩ 1/16W J	1	
	R5806	NRSA6AJ-0R0W	MG RESISTOR	0Ω 1/16W J	1	
	R5807	NRSA6AJ-103W	MG RESISTOR	10kΩ 1/16W J	1	
	R5901	NRSA6AJ-223W	MG RESISTOR	22kΩ 1/16W J	1	
	R5902	NRSA6AJ-103W	MG RESISTOR	10kΩ 1/16W J	1	
	R5911	NRSA6AJ-473W	MG RESISTOR	47kΩ 1/16W J	1	
	R5912	NRSA6AJ-473W	MG RESISTOR	47kΩ 1/16W J	1	
	R5913	NRSA6AJ-473W	MG RESISTOR	47kΩ 1/16W J	1	
	R6001	NRSA6AJ-220W	MG RESISTOR	22Ω 1/16W J	1	
	R6002	NRSA6AJ-220W	MG RESISTOR	22Ω 1/16W J	1	
	R6003	NRSA6AJ-220W	MG RESISTOR	22Ω 1/16W J	1	
	R6004	NRSA6AJ-220W	MG RESISTOR	22Ω 1/16W J	1	
	R6005	NRSA6AJ-220W	MG RESISTOR	22Ω 1/16W J	1	
	R6006	NRSA6AJ-220W	MG RESISTOR	22Ω 1/16W J	1	
	R6007	NRSA6AJ-220W	MG RESISTOR	22Ω 1/16W J	1	
	R6008	NRSA6AJ-220W	MG RESISTOR	22Ω 1/16W J	1	
	R6009	NRSA6AJ-0R0W	MG RESISTOR	0Ω 1/16W J	1	
	R6010	NRSA6AD-101W	MG RESISTOR	100Ω 1/16W D	1	
	R6012	NRSA6AD-560W	MG RESISTOR	56Ω 1/16W D	1	
	R6013	NRSA6AD-560W	MG RESISTOR	56Ω 1/16W D	1	
	R6014	NRSA6AJ-0R0W	MG RESISTOR	0Ω 1/16W J	1	
	R6016	NRSA6AD-101W	MG RESISTOR	100Ω 1/16W D	1	
	R6017	NRSA6AD-560W	MG RESISTOR	56Ω 1/16W D	1	
	R6018	NRSA6AJ-0R0W	MG RESISTOR	0Ω 1/16W J	1	
	R6020	NRSA6AD-101W	MG RESISTOR	100Ω 1/16W D	1	
	R6021	NRSA6AJ-220W	MG RESISTOR	22Ω 1/16W J	1	
	R6022	NRSA6AD-330W	MG RESISTOR	33Ω 1/16W D	1	
	R6023	NRSA6AD-430W	MG RESISTOR	43Ω 1/16W D	1	
	R6024	NRSA6AJ-102W	MG RESISTOR	1kΩ 1/16W J	1	

MODEL	MARK	MODEL	MARK
KW-NT310J	A	KW-NT510HDTJ	B

Safe	Symbol No.	Parts No.	Parts Name	Description	QTY	Local
	R6025	NRSA6AJ-105W	MG RESISTOR	1MΩ 1/16W J	1	
	R6026	NRSA6AJ-0R0W	MG RESISTOR	0Ω 1/16W J	1	
	R6027	NRSA6AJ-0R0W	MG RESISTOR	0Ω 1/16W J	1	
	R6029	NRSA6AJ-0R0W	MG RESISTOR	0Ω 1/16W J	1	
	R6030	NRSA6AJ-103W	MG RESISTOR	10kΩ 1/16W J	1	
	R6031	NRSA6AJ-103W	MG RESISTOR	10kΩ 1/16W J	1	
	R6121	NRSA6AJ-103W	MG RESISTOR	10kΩ 1/16W J	1	
	R6122	NRSA6AJ-103W	MG RESISTOR	10kΩ 1/16W J	1	
	R6124	NRSA6AJ-0R0W	MG RESISTOR	0Ω 1/16W J	1	
	R6126	NRSA6AJ-101W	MG RESISTOR	100Ω 1/16W J	1	
	R6127	NRSA6AJ-0R0W	MG RESISTOR	0Ω 1/16W J	1	
	R6128	NRSA6AJ-0R0W	MG RESISTOR	0Ω 1/16W J	1	
	R6129	NRSA6AJ-103W	MG RESISTOR	10kΩ 1/16W J	1	
	R6304	NRSA6AJ-220W	MG RESISTOR	22Ω 1/16W J	1	
	R6305	NRSA6AJ-220W	MG RESISTOR	22Ω 1/16W J	1	
	R6306	NRSA6AJ-220W	MG RESISTOR	22Ω 1/16W J	1	
	R6501	NRSA6AJ-103W	MG RESISTOR	10kΩ 1/16W J	1	
	R6502	NRSA6AJ-103W	MG RESISTOR	10kΩ 1/16W J	1	
	R6503	NRSA6AJ-103W	MG RESISTOR	10kΩ 1/16W J	1	
	R6504	NRSA6AJ-101W	MG RESISTOR	100Ω 1/16W J	1	
	R6505	NRSA6AJ-103W	MG RESISTOR	10kΩ 1/16W J	1	
	R6506	NRSA6AJ-272W	MG RESISTOR	2.7kΩ 1/16W J	1	
	R6511	NRSA6AJ-103W	MG RESISTOR	10kΩ 1/16W J	1	
	R6512	NRSA6AJ-103W	MG RESISTOR	10kΩ 1/16W J	1	
	R6513	NRSA6AJ-272W	MG RESISTOR	2.7kΩ 1/16W J	1	
	R6514	NRSA6AJ-101W	MG RESISTOR	100Ω 1/16W J	1	
	R6515	NRSA6AJ-103W	MG RESISTOR	10kΩ 1/16W J	1	
	R6517	NRSA6AJ-272W	MG RESISTOR	2.7kΩ 1/16W J	1	
	R6518	NRSA6AJ-101W	MG RESISTOR	100Ω 1/16W J	1	
	R6604	NRSA6AJ-102W	MG RESISTOR	1kΩ 1/16W J	1	
	R6611	NRSA6AD-183W	MG RESISTOR	18kΩ 1/16W D	1	
	R6612	NRSA6AD-303W	MG RESISTOR	30kΩ 1/16W D	1	
	R6621	NRSA6AJ-331W	MG RESISTOR	330Ω 1/16W J	1	
	R6631	NRSA6AJ-103W	MG RESISTOR	10kΩ 1/16W J	1	
	R6641	NRSA63D-333X	MG RESISTOR	33kΩ 1/16W D	1	
	R6642	NRSA63D-562X	MG RESISTOR	5.6kΩ 1/16W D	1	
	R6643	NRSA63J-0R0X	MG RESISTOR	0Ω 1/10W J	1	
	R6662	NRSA6AJ-331W	MG RESISTOR	330Ω 1/16W J	1	
	R6663	NRSA6AJ-103W	MG RESISTOR	10kΩ 1/16W J	1	
	R6664	NRSA6AJ-331W	MG RESISTOR	330Ω 1/16W J	1	
	R6701	NRSA6AJ-103W	MG RESISTOR	10kΩ 1/16W J	1	
	R6703	NRSA6AJ-272W	MG RESISTOR	2.7kΩ 1/16W J	1	
	R6704	NRSA6AJ-0R0W	MG RESISTOR	0Ω 1/16W J	1	
	R6801	NRSA6AJ-103W	MG RESISTOR	10kΩ 1/16W J	1	
	R6802	NRSA6AJ-103W	MG RESISTOR	10kΩ 1/16W J	1	
	R6803	NRSA6AJ-102W	MG RESISTOR	1kΩ 1/16W J	1	
	R6804	NRSA6AJ-101W	MG RESISTOR	100Ω 1/16W J	1	
	R6805	NRSA6AJ-103W	MG RESISTOR	10kΩ 1/16W J	1	
	R6806	NRSA6AJ-101W	MG RESISTOR	100Ω 1/16W J	1	
	R6807	NRSA6AJ-103W	MG RESISTOR	10kΩ 1/16W J	1	
	R6808	NRSA6AJ-103W	MG RESISTOR	10kΩ 1/16W J	1	
	R6810	NRSA6AJ-101W	MG RESISTOR	100Ω 1/16W J	1	
	R6811	NRSA6AJ-101W	MG RESISTOR	100Ω 1/16W J	1	
	R6825	NRSA6AJ-272W	MG RESISTOR	2.7kΩ 1/16W J	1	
	R6826	NRSA6AJ-102W	MG RESISTOR	1kΩ 1/16W J	1	
	R6834	NRSA6AJ-472W	MG RESISTOR	4.7kΩ 1/16W J	1	
	R6835	NRSA6AJ-472W	MG RESISTOR	4.7kΩ 1/16W J	1	
	R6836	NRSA6AJ-472W	MG RESISTOR	4.7kΩ 1/16W J	1	
	R6837	NRSA6AJ-472W	MG RESISTOR	4.7kΩ 1/16W J	1	
	R6838	NRSA6AJ-472W	MG RESISTOR	4.7kΩ 1/16W J	1	
	R6841	NRSA6AJ-220W	MG RESISTOR	22Ω 1/16W J	1	
	R6842	NRSA6AJ-103W	MG RESISTOR	10kΩ 1/16W J	1	
	R6844	NRSA6AJ-103W	MG RESISTOR	10kΩ 1/16W J	1	
	R6848	NRSA63J-101X	MG RESISTOR	100Ω 1/16W J	1	
	R6849	NRSA63J-101X	MG RESISTOR	100Ω 1/16W J	1	
	R6850	NRSA63J-101X	MG RESISTOR	100Ω 1/16W J	1	
	R6851	NRSA63J-101X	MG RESISTOR	100Ω 1/16W J	1	
	R6856	NRSA6AJ-101W	MG RESISTOR	100Ω 1/16W J	1	
	R6902	NRSA6AJ-473W	MG RESISTOR	47kΩ 1/16W J	1	
	R6903	NRSA6AJ-473W	MG RESISTOR	47kΩ 1/16W J	1	
	R6904	NRSA6AJ-473W	MG RESISTOR	47kΩ 1/16W J	1	
	R6905	NRSA6AJ-473W	MG RESISTOR	47kΩ 1/16W J	1	
	R6906	NRSA6AJ-473W	MG RESISTOR	47kΩ 1/16W J	1	
	R6907	NRSA6AJ-681W	MG RESISTOR	680Ω 1/16W J	1	
	R6908	NRSA6AJ-223W	MG RESISTOR	22kΩ 1/16W J	1	
	R6909	NRSA6AJ-220W	MG RESISTOR	22Ω 1/16W J	1	
	R6910	NRSA6AJ-220W	MG RESISTOR	22Ω 1/16W J	1	
	R6911	NRSA6AJ-220W	MG RESISTOR	22Ω 1/16W J	1	
	R6912	NRSA6AJ-220W	MG RESISTOR	22Ω 1/16W J	1	
	R6913	NRSA6AJ-220W	MG RESISTOR	22Ω 1/16W J	1	
	R6914	NRSA6AJ-101W	MG RESISTOR	100Ω 1/16W J	1	
	R6915	NRSA6AJ-101W	MG RESISTOR	100Ω 1/16W J	1	
	R6916	NRSA6AJ-473W	MG RESISTOR	47kΩ 1/16W J	1	
	R6917	NRSA6AJ-473W	MG RESISTOR	47kΩ 1/16W J	1	
	R6918	NRSA6AJ-103W	MG RESISTOR	10kΩ 1/16W J	1	
	R6919	NRSA6AJ-103W	MG RESISTOR	10kΩ 1/16W J	1	
	R6930	NRSA6AJ-0R0W	MG RESISTOR	0Ω 1/16W J	1	
	R6931	NRSA6AJ-0R0W	MG RESISTOR	0Ω 1/16W J	1	
	R6932	NRSA6AJ-0R0W	MG RESISTOR	0Ω 1/16W J	1	
	R6933	NRSA6AJ-0R0W	MG RESISTOR	0Ω 1/16W J	1	
	R6934	NRSA6AJ-0R0W	MG RESISTOR	0Ω 1/16W J	1	
	R6935	NRSA6AJ-0R0W	MG RESISTOR	0Ω 1/16W J	1	

MODEL	MARK	MODEL	MARK
KW-NT310J	A	KW-NT510HDTJ	B

Safe	Symbol No.	Parts No.	Parts Name	Description	QTY	Local
	R6936	NRSA6AJ-0R0W	MG RESISTOR	0Ω 1/16W J	1	
	R6937	NRSA6AJ-0R0W	MG RESISTOR	0Ω 1/16W J	1	
	RA581	NRB04CJ-100W	NET RESISTOR	10Ω J	1	
	RA582	NRB04CJ-100W	NET RESISTOR	10Ω J	1	
	RA583	NRB04CJ-100W	NET RESISTOR	10Ω J	1	
	RA584	NRB04CJ-100W	NET RESISTOR	10Ω J	1	
	RA585	NRB04CJ-100W	NET RESISTOR	10Ω J	1	
	RA586	NRB04CJ-100W	NET RESISTOR	10Ω J	1	
	RA587	NRB04CJ-100W	NET RESISTOR	10Ω J	1	
	L6701	NQR0682-001X	CHOKO COIL		1	
	CN651	QGF0573F1-60X	CONNECTOR	FFC/FPC (1-60)	1	
	CN671	QGA2001F6-10X	CONNECTOR	W-B (1-10)	1	
	CN681	QGB0812L4-80X	CONNECTOR	B-B (1-80)	1	
	CN692	QGF0545F2-14X	CONNECTOR	FFC/FPC (1-14)	1	
	VA671	NAF0019-001X	VARIATOR(ZNR)		1	
	VA672	NAF0019-001X	VARIATOR(ZNR)		1	
	X521	NAX1139-001X	CRYSTAL		1	
	X522	NAX1140-001X	CRYSTAL		1	
	X523	NAX1143-001X	CRYSTAL		1	
	X601	NAX1145-001X	CRYSTAL		1	
PANEL/SD UNIT (LVA11117-11A) <07>						
	IC901	JVM539B	IC(MCU)		1	
	IC903	TC7SH32FU-X	IC		1	
	IC921	ML86V8101TBZ3A	IC		1	
	IC942	XC6216C202PG-X	IC		1	
	IC951	OZ527ILN-A1-X	IC		1	
	IC991	NJM2855DL1-33-X	IC		1	
	Q9101	2SA2188/F-X	TRANSISTOR		1	
	Q9102	INC2002AC1-X	TRANSISTOR		1	
	Q9111	2SA2188/F-X	TRANSISTOR		1	
	Q9112	INC2002AC1-X	TRANSISTOR		1	
	Q9301	RT1N441C-X	TRANSISTOR		1	
	Q9451	RT1N441C-X	TRANSISTOR		1	
	Q9452	RT1N441C-X	TRANSISTOR		1	
	Q9611	2SC1623A/5-6/-X	TRANSISTOR		1	
	Q9612	2SC1623A/5-6/-X	TRANSISTOR		1	
	Q9613	2SC1623A/5-6/-X	TRANSISTOR		1	
	D8301	NSSM065T-X	LED		1	
	D8302	NSSM065T-X	LED		1	
	D8303	NSSM065T-X	LED		1	
	D8304	NSSM065T-X	LED		1	
	D8305	NSSM065T-X	LED		1	
	D8306	NSSM065T-X	LED		1	
	D8501	SML-D12V8W/PQ-X	LED		1	
	D9131	HSU119-X	SI DIODE		1	
	D9132	HSU119-X	SI DIODE		1	
	D9133	HSU119-X	SI DIODE		1	
	D9134	HSU119-X	SI DIODE		1	
	D9135	HSU119-X	SI DIODE		1	
	D9136	HSU119-X	SI DIODE		1	
	D9137	HSU119-X	SI DIODE		1	
	D9138	HSU119-X	SI DIODE		1	
	D9432	RKZ22B2KG-X	Z DIODE		1	
	D9433	RKZ12B2KG-X	Z DIODE		1	
	D9434	RKZ6.2B2KG-X	Z DIODE		1	
	D9435	RKZ10B2KG-X	Z DIODE		1	
	D9511	RB160M-60-X	SB DIODE		1	
	D9901	CRS03-W	SB DIODE		1	
	C8401	NCB31HK-103X	C CAPACITOR	0.01uF 50V K	1	
	C8402	NCB31HK-103X	C CAPACITOR	0.01uF 50V K	1	
	C8601	NDC31HJ-101X	C CAPACITOR	100pF 50V J	1	
	C8602	NDC31HJ-101X	C CAPACITOR	100pF 50V J	1	
	C8604	NCB31CK-104X	C CAPACITOR	0.1uF 16V	1	
	C9001	NCB31CK-104X	C CAPACITOR	0.1uF 16V	1	
	C9002	NCJ10JM-476X-A	C CAPACITOR	47uF 6.3V M	1	
	C9011	NDC31HJ-471X	C CAPACITOR	470pF 50V J	1	
	C9012	NDC31HJ-471X	C CAPACITOR	470pF 50V J	1	
	C9013	NDC31HJ-471X	C CAPACITOR	470pF 50V J	1	
	C9041	NCB31CK-104X	C CAPACITOR	0.1uF 16V	1	
	C9064	NCB31CK-104X	C CAPACITOR	0.1uF 16V	1	
	C9065	NCB31CK-104X	C CAPACITOR	0.1uF 16V	1	
	C9074	NCB31CK-104X	C CAPACITOR	0.1uF 16V	1	
	C9080	NCB31CK-474X	C CAPACITOR	0.47uF 16V K	1	
	C9082	NCB31CK-104X	C CAPACITOR	0.1uF 16V	1	
	C9096	NCB31CK-104X	C CAPACITOR	0.1uF 16V	1	
	C9101	NCB31CK-105X	C CAPACITOR	1uF 16V K	1	
	C9102	NCJ10JM-476X-A	C CAPACITOR	47uF 6.3V M	1	
	C9111	NCB31CK-105X	C CAPACITOR	1uF 16V K	1	
	C9131	NCB31HK-103X	C CAPACITOR	0.01uF 50V K	1	
	C9132	NCB31HK-103X	C CAPACITOR	0.01uF 50V K	1	
	C9133	NCB31HK-103X	C CAPACITOR	0.01uF 50V K	1	
	C9134	NCB31HK-103X	C CAPACITOR	0.01uF 50V K	1	
	C9201	NCJ20JM-226X-A	C CAPACITOR	22uF 6.3V M	1	
	C9214	NCB21AK-475X	C CAPACITOR	4.7uF 10V K	1	
	C9215	NCB31CK-104X	C CAPACITOR	0.1uF 16V	1	
	C9219	NCB31CK-104X	C CAPACITOR	0.1uF 16V	1	
	C9243	NCB31CK-104X	C CAPACITOR	0.1uF 16V	1	
	C9254	NCB31CK-104X	C CAPACITOR	0.1uF 16V	1	
	C9260	NCB31CK-104X	C CAPACITOR	0.1uF 16V	1	
	C9306	NCB31CK-104X	C CAPACITOR	0.1uF 16V	1	
	C9401	NCJ11EK-106X-R	C CAPACITOR	10uF 25V	1	
	C9405	NCB31HK-104X	C CAPACITOR	0.1uF 50V K	1	
	C9412	NCB31CK-104X	C CAPACITOR	0.1uF 16V	1	
	C9431	NCB31CK-105X	C CAPACITOR	1uF 16V K	1	

MODEL	MARK	MODEL	MARK
KW-NT310J	A	KW-NT510HDTJ	B

Safe	Symbol No.	Parts No.	Parts Name	Description	QTY	Local
	C9432	NCB21EK-105X	C CAPACITOR	1uF 25V K	1	
	C9433	NCB31CK-104X	C CAPACITOR	0.1uF 16V	1	
	C9434	NCB31CK-104X	C CAPACITOR	0.1uF 16V	1	
	C9435	NCB31CK-104X	C CAPACITOR	0.1uF 16V	1	
	C9436	NCJ11EK-106X-R	C CAPACITOR	10uF 25V	1	
	C9441	NCJ11EK-106X-R	C CAPACITOR	10uF 25V	1	
	C9442	NCB31CK-104X	C CAPACITOR	0.1uF 16V	1	
	C9443	NCB31HK-103X	C CAPACITOR	0.01uF 50V K	1	
	C9501	NDC31HJ-101X	C CAPACITOR	100pF 50V J	1	
	C9502	NDC31HJ-560X	C CAPACITOR	56pF 50V J	1	
	C9503	NCB31CK-224X	C CAPACITOR	0.22uF 16V K	1	
	C9504	NCB31CK-105X	C CAPACITOR	1uF 16V K	1	
	C9505	NCB31HK-104X	C CAPACITOR	0.1uF 50V K	1	
	C9506	NCB31CK-105X	C CAPACITOR	1uF 16V K	1	
	C9507	NCJ11EK-106X-R	C CAPACITOR	10uF 25V	1	
	C9508	NCJ11EK-106X-R	C CAPACITOR	10uF 25V	1	
	C9509	NCJ11EK-106X-R	C CAPACITOR	10uF 25V	1	
	C9510	NEAG1CM-476X	E CAPACITOR	47uF 16V M	1	
	C9512	NCB31CK-104X	C CAPACITOR	0.1uF 16V	1	
	C9515	NCJ11EK-106X-R	C CAPACITOR	10uF 25V	1	
	C9605	NCJ11EK-106X-R	C CAPACITOR	10uF 25V	1	
	C9911	NCJ41CK-476X-A	C CAPACITOR	47uF 16V K	1	
	C9912	NCB31CK-104X	C CAPACITOR	0.1uF 16V	1	
	C9913	NCJ20JM-226X-A	C CAPACITOR	22uF 6.3V M	1	
	C9914	NCB31HK-103X	C CAPACITOR	0.01uF 50V K	1	
	C9994	NCJ11EK-106X-R	C CAPACITOR	10uF 25V	1	
	C9995	NCB31HK-103X	C CAPACITOR	0.01uF 50V K	1	
	R6931	NRSA63J-0R0X	MG RESISTOR	0Ω 1/10W J	1	
	R6932	NRSA63J-0R0X	MG RESISTOR	0Ω 1/10W J	1	
	R6933	NRSA63J-0R0X	MG RESISTOR	0Ω 1/10W J	1	
	R6934	NRSA63J-0R0X	MG RESISTOR	0Ω 1/10W J	1	
	R6935	NRSA63J-0R0X	MG RESISTOR	0Ω 1/10W J	1	
	R6936	NRSA63J-0R0X	MG RESISTOR	0Ω 1/10W J	1	
	R6937	NRSA63J-0R0X	MG RESISTOR	0Ω 1/10W J	1	
	R6938	NRSA63J-0R0X	MG RESISTOR	0Ω 1/10W J	1	
	R6939	NRSA63J-0R0X	MG RESISTOR	0Ω 1/10W J	1	
	R8101	NRSA63J-301X	MG RESISTOR	300Ω 1/16W J	1	
	R8102	NRSA63J-271X	MG RESISTOR	270Ω 1/16W J	1	
	R8103	NRSA63J-391X	MG RESISTOR	390Ω 1/16W J	1	
	R8201	NRSA63J-301X	MG RESISTOR	300Ω 1/16W J	1	
	R8202	NRSA63J-221X	MG RESISTOR	220Ω 1/16W J	1	
	R8203	NRSA63J-102X	MG RESISTOR	1kΩ 1/16W J	1	
	R8301	NRSA63J-112X	MG RESISTOR	1.1kΩ 1/16W J	1	
	R8302	NRSA63J-681X	MG RESISTOR	680Ω 1/16W J	1	
	R8303	NRSA63J-102X	MG RESISTOR	1kΩ 1/16W J	1	
	R8304	NRSA63J-152X	MG RESISTOR	1.5kΩ 1/16W J	1	
	R8305	NRSA63J-132X	MG RESISTOR	1.3kΩ 1/16W J	1	
	R8306	NRSA63J-182X	MG RESISTOR	1.8kΩ 1/16W J	1	
	R8307	NRSA63J-202X	MG RESISTOR	2kΩ 1/16W J	1	
	R8308	NRSA63J-202X	MG RESISTOR	2kΩ 1/16W J	1	
	R8309	NRSA63J-272X	MG RESISTOR	2.7kΩ 1/16W J	1	
	R8401	NRSA63J-103X	MG RESISTOR	10kΩ 1/16W J	1	
	R8402	NRSA63J-103X	MG RESISTOR	10kΩ 1/16W J	1	
	R8403	NRSA63J-103X	MG RESISTOR	10kΩ 1/16W J	1	
	R8404	NRSA63J-103X	MG RESISTOR	10kΩ 1/16W J	1	
	R8501	NRSA63J-111X	MG RESISTOR	110Ω 1/16W J	1	
	R8502	NRSA63J-111X	MG RESISTOR	110Ω 1/16W J	1	
	R8601	NRSA63J-104X	MG RESISTOR	100kΩ 1/16W J	1	
	R8602	NRSA63J-104X	MG RESISTOR	100kΩ 1/16W J	1	
	R8604	NRSA63J-471X	MG RESISTOR	470Ω 1/16W J	1	
	R9011	NRSA63J-330X	MG RESISTOR	33Ω 1/16W J	1	
	R9012	NRSA63J-330X	MG RESISTOR	33Ω 1/16W J	1	
	R9013	NRSA63J-102X	MG RESISTOR	1kΩ 1/16W J	1	
	R9014	NRSA63J-102X	MG RESISTOR	1kΩ 1/16W J	1	
	R9015	NRSA63J-332X	MG RESISTOR	3.3kΩ 1/16W J	1	
	R9016	NRSA63J-102X	MG RESISTOR	1kΩ 1/16W J	1	
	R9017	NRSA63J-102X	MG RESISTOR	1kΩ 1/16W J	1	
	R9018	NRSA63J-102X	MG RESISTOR	1kΩ 1/16W J	1	
	R9019	NRSA63J-102X	MG RESISTOR	1kΩ 1/16W J	1	
	R9021	NRSA63J-102X	MG RESISTOR	1kΩ 1/16W J	1	
	R9022	NRSA63J-0R0X	MG RESISTOR	0Ω 1/10W J	1	
	R9023	NRSA63J-472X	MG RESISTOR	4.7kΩ 1/16W J	1	
	R9024	NRSA63J-472X	MG RESISTOR	4.7kΩ 1/16W J	1	
	R9025	NRSA63J-103X	MG RESISTOR	10kΩ 1/16W J	1	
	R9031	NRSA63J-0R0X	MG RESISTOR	0Ω 1/10W J	1	
	R9033	NRSA63J-102X	MG RESISTOR	1kΩ 1/16W J	1	
	R9034	NRSA63J-332X	MG RESISTOR	3.3kΩ 1/16W J	1	
	R9035	NRSA63J-332X	MG RESISTOR	3.3kΩ 1/16W J	1	
	R9036	NRSA63J-561X	MG RESISTOR	560Ω 1/16W J	1	
	R9037	NRSA63J-561X	MG RESISTOR	560Ω 1/16W J	1	
	R9038	NRSA63J-101X	MG RESISTOR	100Ω 1/16W J	1	
	R9039	NRSA63J-102X	MG RESISTOR	1kΩ 1/16W J	1	
	R9040	NRSA63J-101X	MG RESISTOR	100Ω 1/16W J	1	
	R9043	NRSA63J-103X	MG RESISTOR	10kΩ 1/16W J	1	
	R9044	NRSA63J-102X	MG RESISTOR	1kΩ 1/16W J	1	
	R9051	NRSA63J-102X	MG RESISTOR	1kΩ 1/16W J	1	
	R9052	NRSA63J-102X	MG RESISTOR	1kΩ 1/16W J	1	
	R9053	NRSA63J-102X	MG RESISTOR	1kΩ 1/16W J	1	
	R9054	NRSA63J-102X	MG RESISTOR	1kΩ 1/16W J	1	
	R9055	NRSA63J-102X	MG RESISTOR	1kΩ 1/16W J	1	
	R9056	NRSA63J-102X	MG RESISTOR	1kΩ 1/16W J	1	
	R9057	NRSA63J-102X	MG RESISTOR	1kΩ 1/16W J	1	

MODEL	MARK	MODEL	MARK
KW-NT310J	A	KW-NT510HDTJ	B

Safe	Symbol No.	Parts No.	Parts Name	Description	QTY	Local
	R9058	NRSA63J-102X	MG RESISTOR	1kΩ 1/16W J	1	
	R9059	NRSA63J-561X	MG RESISTOR	560Ω 1/16W J	1	
	R9060	NRSA63J-102X	MG RESISTOR	1kΩ 1/16W J	1	
	R9061	NRSA63J-102X	MG RESISTOR	1kΩ 1/16W J	1	
	R9063	NRSA63J-822X	MG RESISTOR	8.2kΩ 1/16W J	1	
	R9064	NRSA63J-152X	MG RESISTOR	1.5kΩ 1/16W J	1	
	R9065	NRSA63J-152X	MG RESISTOR	1.5kΩ 1/16W J	1	
	R9068	NRSA63J-103X	MG RESISTOR	10kΩ 1/16W J	1	
	R9069	NRSA63J-103X	MG RESISTOR	10kΩ 1/16W J	1	
	R9070	NRSA63J-103X	MG RESISTOR	10kΩ 1/16W J	1	
	R9071	NRSA63J-332X	MG RESISTOR	3.3kΩ 1/16W J	1	
	R9072	NRSA63J-561X	MG RESISTOR	560Ω 1/16W J	1	
	R9073	NRSA63J-102X	MG RESISTOR	1kΩ 1/16W J	1	
	R9074	NRSA63J-222X	MG RESISTOR	2.2kΩ 1/16W J	1	
	R9075	NRSA63J-102X	MG RESISTOR	1kΩ 1/16W J	1	
	R9076	NRSA63J-472X	MG RESISTOR	4.7kΩ 1/16W J	1	
	R9077	NRSA63J-102X	MG RESISTOR	1kΩ 1/16W J	1	
	R9083	NRSA63J-473X	MG RESISTOR	47kΩ 1/16W J	1	
	R9096	NRSA63J-473X	MG RESISTOR	47kΩ 1/16W J	1	
	R9097	NRSA63J-473X	MG RESISTOR	47kΩ 1/16W J	1	
	R9098	NRSA63J-0R0X	MG RESISTOR	0Ω 1/10W J	1	
	R9101	NRSA63J-332X	MG RESISTOR	3.3kΩ 1/16W J	1	
	R9102	NRSA63J-223X	MG RESISTOR	22kΩ 1/16W J	1	
	R9103	NRSA63J-222X	MG RESISTOR	2.2kΩ 1/16W J	1	
	R9104	NRSA63J-332X	MG RESISTOR	3.3kΩ 1/16W J	1	
	R9105	NRSA63J-223X	MG RESISTOR	22kΩ 1/16W J	1	
	R9106	NRSA63J-222X	MG RESISTOR	2.2kΩ 1/16W J	1	
	R9107	NRSA63J-104X	MG RESISTOR	100kΩ 1/16W J	1	
	R9111	NRSA63J-332X	MG RESISTOR	3.3kΩ 1/16W J	1	
	R9112	NRSA63J-223X	MG RESISTOR	22kΩ 1/16W J	1	
	R9113	NRSA63J-222X	MG RESISTOR	2.2kΩ 1/16W J	1	
	R9114	NRSA63J-332X	MG RESISTOR	3.3kΩ 1/16W J	1	
	R9115	NRSA63J-223X	MG RESISTOR	22kΩ 1/16W J	1	
	R9116	NRSA63J-222X	MG RESISTOR	2.2kΩ 1/16W J	1	
	R9117	NRSA63J-104X	MG RESISTOR	100kΩ 1/16W J	1	
	R9212	NRSA63J-473X	MG RESISTOR	47kΩ 1/16W J	1	
	R9213	NRSA63J-473X	MG RESISTOR	47kΩ 1/16W J	1	
	R9216	NRSA63J-330X	MG RESISTOR	33Ω 1/16W J	1	
	R9217	NRSA63J-330X	MG RESISTOR	33Ω 1/16W J	1	
	R9218	NRSA63J-330X	MG RESISTOR	33Ω 1/16W J	1	
	R9219	NRSA63J-473X	MG RESISTOR	47kΩ 1/16W J	1	
	R9220	NRSA63J-102X	MG RESISTOR	1kΩ 1/16W J	1	
	R9221	NRSA63J-330X	MG RESISTOR	33Ω 1/16W J	1	
	R9222	NRSA63J-330X	MG RESISTOR	33Ω 1/16W J	1	
	R9223	NRSA63J-330X	MG RESISTOR	33Ω 1/16W J	1	
	R9224	NRSA63J-330X	MG RESISTOR	33Ω 1/16W J	1	
	R9226	NRSA63J-330X	MG RESISTOR	33Ω 1/16W J	1	
	R9227	NRSA63J-330X	MG RESISTOR	33Ω 1/16W J	1	
	R9229	NRSA63J-330X	MG RESISTOR	33Ω 1/16W J	1	
	R9230	NRSA63J-330X	MG RESISTOR	33Ω 1/16W J	1	
	R9242	NRSA63J-330X	MG RESISTOR	33Ω 1/16W J	1	
	R9245	NRSA63J-330X	MG RESISTOR	33Ω 1/16W J	1	
	R9246	NRSA63J-330X	MG RESISTOR	33Ω 1/16W J	1	
	R9247	NRSA63J-330X	MG RESISTOR	33Ω 1/16W J	1	
	R9248	NRSA63J-330X	MG RESISTOR	33Ω 1/16W J	1	
	R9249	NRSA63J-330X	MG RESISTOR	33Ω 1/16W J	1	
	R9250	NRSA63J-330X	MG RESISTOR	33Ω 1/16W J	1	
	R9251	NRSA63J-330X	MG RESISTOR	33Ω 1/16W J	1	
	R9252	NRSA63J-330X	MG RESISTOR	33Ω 1/16W J	1	
	R9253	NRSA63J-330X	MG RESISTOR	33Ω 1/16W J	1	
	R9256	NRSA63J-330X	MG RESISTOR	33Ω 1/16W J	1	
	R9257	NRSA63J-330X	MG RESISTOR	33Ω 1/16W J	1	
	R9258	NRSA63J-330X	MG RESISTOR	33Ω 1/16W J	1	
	R9259	NRSA63J-330X	MG RESISTOR	33Ω 1/16W J	1	
	R9401	NRSA63D-101X	MG RESISTOR	100Ω 1/16W D	1	
	R9402	NRSA63D-161X	MG RESISTOR	160Ω 1/16W D	1	
	R9403	NRSA63D-430X	MG RESISTOR	43Ω 1/16W D	1	
	R9404	NRSA63D-390X	MG RESISTOR	39Ω 1/16W D	1	
	R9405	NRSA63D-101X	MG RESISTOR	100Ω 1/16W D	1	
	R9406	NRSA63D-161X	MG RESISTOR	160Ω 1/16W D	1	
	R9407	NRSA63D-101X	MG RESISTOR	100Ω 1/16W D	1	
	R9408	NRSA63D-390X	MG RESISTOR	39Ω 1/16W D	1	
	R9409	NRSA63D-430X	MG RESISTOR	43Ω 1/16W D	1	
	R9410	NRSA63D-161X	MG RESISTOR	160Ω 1/16W D	1	
	R9411	NRSA63D-620X	MG RESISTOR	62Ω 1/16W D	1	
	R9412	NRSA63J-101X	MG RESISTOR	100Ω 1/16W J	1	
	R9413	NRSA63J-101X	MG RESISTOR	100Ω 1/16W J	1	
	R9414	NRSA63J-203X	MG RESISTOR	20kΩ 1/16W J	1	
	R9417	NRSA63J-101X	MG RESISTOR	100Ω 1/16W J	1	
	R9441	NRSA63D-103X	MG RESISTOR	10kΩ 1/16W D	1	
	R9442	NRSA63D-363X	MG RESISTOR	36kΩ 1/16W D	1	
	R9443	NRSA63D-113X	MG RESISTOR	11kΩ 1/16W D	1	
	R9444	NRSA63D-104X	MG RESISTOR	100kΩ 1/16W D	1	
	R9451	NRSA63D-622X	MG RESISTOR	6.2kΩ 1/16W D	1	
	R9453	NRSA63D-683X	MG RESISTOR	68kΩ 1/16W D	1	
	R9454	NRSA63D-333X	MG RESISTOR	33kΩ 1/16W D	1	
	R9455	NRSA63D-392X	MG RESISTOR	3.9kΩ 1/16W D	1	
	R9457	NRSA63J-0R0X	MG RESISTOR	0Ω 1/10W J	1	
	R9458	NRSA63J-0R0X	MG RESISTOR	0Ω 1/10W J	1	
	R9501	NRSA63J-0R0X	MG RESISTOR	0Ω 1/10W J	1	
	R9502	NRSA63J-105X	MG RESISTOR	1MΩ 1/16W J	1	
	R9503	NRSA63J-683X	MG RESISTOR	68kΩ 1/16W J	1	
	R9504	NRSA63D-363X	MG RESISTOR	36kΩ 1/16W D	1	

MODEL	MARK	MODEL	MARK
KW-NT310J	A	KW-NT510HDTJ	B

Safe	Symbol No.	Parts No.	Parts Name	Description	QTY	Local
	R9505	NRSA63J-102X	MG RESISTOR	1kΩ 1/16W J	1	
	R9506	NRSA63J-104X	MG RESISTOR	100kΩ 1/16W J	1	
	R9507	NRSA63J-0R0X	MG RESISTOR	0Ω 1/10W J	1	
	R9508	NRSA63J-121X	MG RESISTOR	120Ω 1/16W J	1	
	R9509	NRSA63J-0R0X	MG RESISTOR	0Ω 1/10W J	1	
	R9512	NRSA63J-563X	MG RESISTOR	56kΩ 1/16W J	1	
	R9552	NRSA63J-0R0X	MG RESISTOR	0Ω 1/10W J	1	
	R9601	NRSA63J-680X	MG RESISTOR	68Ω 1/16W J	1	
	R9602	NRSA63J-0R0X	MG RESISTOR	0Ω 1/10W J	1	
	R9603	NRSA63J-300X	MG RESISTOR	30Ω 1/16W J	1	
	R9604	NRSA63J-0R0X	MG RESISTOR	0Ω 1/10W J	1	
	R9901	NRSA63J-0R0X	MG RESISTOR	0Ω 1/10W J	1	
	R9994	NRSA02J-0R0X	MG RESISTOR	0Ω 1/10W J	1	
	L9001	NQL79GK-100X	COIL	10uH K	1	
	L9201	NQL79GK-100X	COIL	10uH K	1	
	L9501	NQLF3EM-220X	COIL	22uH M	1	
	L9511	NQLG4EM-100X	COIL	10uH M	1	
	CN693	NNZ0268-001X	SD CARD CONNE		1	
	CN694	QGF0522F5-14W	CONNECTOR	FFC/FPC (1-14)	1	
	CN861	QGA1217F1-03X	CONNECTOR	W-B (1-3)	1	
	CN911	QGF1039F3-04X	CONNECTOR	FFC/FPC (1-4)	1	
	CN941	QGF0528F4-60X	CONNECTOR	FFC/FPC (1-60)	1	
	CN951	QGF0534F6-10X	CONNECTOR	FFC/FPC (1-10)	1	
	CN991	QGF0572F1-60X	CONNECTOR	FFC/FPC (1-60)	1	
△	F9001	NMFZ018-R75X-E	FUSE	0.75A	1	
△	F9901	NMFZ018-R75X-E	FUSE	0.75A	1	
	J8601	QNS0033-002	3.5 JACK		1	
	JS841	QSW1279-001	ROTARY ENCODER		1	
	K8601	NQR0022-005X	FERRITE BEADS		1	
	K8602	NQR0022-005X	FERRITE BEADS		1	
	K8603	NQR0022-005X	FERRITE BEADS		1	
	K9272	NQR0269-013X	FERRITE BEADS		1	
	K9273	NQR0269-013X	FERRITE BEADS		1	
	K9274	NQR0269-013X	FERRITE BEADS		1	
	K9275	NQR0269-013X	FERRITE BEADS		1	
	K9276	NQR0269-013X	FERRITE BEADS		1	
	K9277	NQR0269-013X	FERRITE BEADS		1	
	K9278	NQR0269-013X	FERRITE BEADS		1	
	K9279	NQR0269-013X	FERRITE BEADS		1	
	K9280	NQR0269-013X	FERRITE BEADS		1	
	K9281	NQR0269-013X	FERRITE BEADS		1	
	K9282	NQR0269-013X	FERRITE BEADS		1	
	K9283	NQR0269-013X	FERRITE BEADS		1	
	K9284	NQR0269-013X	FERRITE BEADS		1	
	K9285	NQR0269-013X	FERRITE BEADS		1	
	K9301	NQR0269-013X	FERRITE BEADS		1	
	K9302	NQR0269-013X	FERRITE BEADS		1	
	K9303	NQR0269-013X	FERRITE BEADS		1	
	K9304	NQR0269-013X	FERRITE BEADS		1	
	K9305	NQR0269-013X	FERRITE BEADS		1	
	K9307	NQR0269-013X	FERRITE BEADS		1	
	K9308	NQR0269-013X	FERRITE BEADS		1	
	K9309	NQR0269-013X	FERRITE BEADS		1	
	K9310	NQR0269-013X	FERRITE BEADS		1	
	K9311	NQR0269-013X	FERRITE BEADS		1	
	K9313	NQR0269-013X	FERRITE BEADS		1	
	S8101	NSW0326-001X	TACT SWITCH		1	
	S8102	NSW0326-001X	TACT SWITCH		1	
	S8201	NSW0326-001X	TACT SWITCH		1	
	S8202	NSW0326-001X	TACT SWITCH		1	
	TH901	NAD0028-103X	N THERMISTOR	10kΩ	1	
DVD UNIT (FMU-XM5-11D: LVA11034-06A) IN DVD MECHA <08>						
	IC1	BD8215EFV-X	IC		1	
	IC3	MM3233CF-X	IC		1	
	IC9	RT3CLLM/EF/-X	TRANSISTOR		1	
	IC10	RT3K11M-X	MOS FET ARRAY		1	
	IC301	MN2DS0018MA	IC		1	
	IC302	MM1701CH-X	IC		1	
	IC304	XC6120N282NG-X	IC		1	
	IC398	JVM544D	PROGRAMED IC		1	
	IC399	M12L1281687TG2L	IC(DIGITAL)		1	
	IC481	BR24T32FVT-W-X	IC		1	
	IC501	TC74LCX373FT-X	IC(DIGITAL)		1	
	IC502	TC74LCX373FT-X	IC(DIGITAL)		1	
	Q2	RT1N141U-X	DIGI TRANSISTOR		1	
	Q4	DSC2001/R/-X	TRANSISTOR		1	
	Q7	DSC2001/R/-X	TRANSISTOR		1	
	Q101	2SB1424/R/-W	TRANSISTOR		1	
	Q103	2SB1424/R/-W	TRANSISTOR		1	
	Q105	2SC4617/QR/-X	TRANSISTOR		1	
	Q301	RT1N441U-X	DIGI TRANSISTOR		1	
	Q302	RT1N441U-X	DIGI TRANSISTOR		1	
	D6	AN1102W-6-X	IR LED		1	
	D7	AN1102W-6-X	IR LED		1	
	D9	PS1192HB-22-X	PHOTO TRANSISTOR		1	
	D11	PS1192HB-22-X	PHOTO TRANSISTOR		1	
	C2	NCB31CK-104X	C CAPACITOR	0.1uF 16V	1	
	C3	NCB31CK-104X	C CAPACITOR	0.1uF 16V	1	
	C4	NCB31CK-104X	C CAPACITOR	0.1uF 16V	1	
	C5	NCB31CK-104X	C CAPACITOR	0.1uF 16V	1	
	C6	NCB31CK-104X	C CAPACITOR	0.1uF 16V	1	
	C7	NCB31CK-104X	C CAPACITOR	0.1uF 16V	1	

MODEL	MARK	MODEL	MARK
KW-NT310J	A	KW-NT510HDTJ	B

Safe	Symbol No.	Parts No.	Parts Name	Description	QTY	Local
	C8	NCB31CK-104X	C CAPACITOR	0.1uF 16V	1	
	C9	NCB31CK-104X	C CAPACITOR	0.1uF 16V	1	
	C11	NCB31CK-104X	C CAPACITOR	0.1uF 16V	1	
	C12	NCB31CK-104X	C CAPACITOR	0.1uF 16V	1	
	C13	NCB31CK-104X	C CAPACITOR	0.1uF 16V	1	
	C14	NCB31CK-104X	C CAPACITOR	0.1uF 16V	1	
	C15	NCB31CK-104X	C CAPACITOR	0.1uF 16V	1	
	C16	NCB31CK-104X	C CAPACITOR	0.1uF 16V	1	
	C17	NCB31CK-104X	C CAPACITOR	0.1uF 16V	1	
	C18	NCB31CK-104X	C CAPACITOR	0.1uF 16V	1	
	C19	NCB31CK-104X	C CAPACITOR	0.1uF 16V	1	
	C20	NCB31CK-104X	C CAPACITOR	0.1uF 16V	1	
	C21	NCJ20JM-226X-A	C CAPACITOR	22uF 6.3V M	1	
	C22	NCJ10JM-476X-A	C CAPACITOR	47uF 6.3V M	1	
	C23	NCJ10JM-476X-A	C CAPACITOR	47uF 6.3V M	1	
	C24	NCB31CK-104X	C CAPACITOR	0.1uF 16V	1	
	C25	NCB31CK-104X	C CAPACITOR	0.1uF 16V	1	
	C26	NCB31CK-104X	C CAPACITOR	0.1uF 16V	1	
	C31	NCB31HK-122X	C CAPACITOR	1200pF 50V K	1	
	C32	NCB31HK-122X	C CAPACITOR	1200pF 50V K	1	
	C60	NCB31HK-103X	C CAPACITOR	0.01uF 50V K	1	
	C63	NCJ20JM-226X-A	C CAPACITOR	22uF 6.3V M	1	
	C65	NCB31CK-104X	C CAPACITOR	0.1uF 16V	1	
	C66	NCB31CK-104X	C CAPACITOR	0.1uF 16V	1	
	C67	NCB31HK-103X	C CAPACITOR	0.01uF 50V K	1	
	C68	NCB31CK-104X	C CAPACITOR	0.1uF 16V	1	
	C69	NCB31CK-105X	C CAPACITOR	1uF 16V K	1	
	C70	NCB31CK-104X	C CAPACITOR	0.1uF 16V	1	
	C71	NCB31CK-104X	C CAPACITOR	0.1uF 16V	1	
	C72	NCB31CK-105X	C CAPACITOR	1uF 16V K	1	
	C73	NCB31CK-104X	C CAPACITOR	0.1uF 16V	1	
	C74	NCB31CK-104X	C CAPACITOR	0.1uF 16V	1	
	C75	NCB31CK-104X	C CAPACITOR	0.1uF 16V	1	
	C76	NCB31CK-104X	C CAPACITOR	0.1uF 16V	1	
	C77	NCB31CK-104X	C CAPACITOR	0.1uF 16V	1	
	C78	NCB31CK-104X	C CAPACITOR	0.1uF 16V	1	
	C79	NCB31CK-104X	C CAPACITOR	0.1uF 16V	1	
	C80	NCB31CK-105X	C CAPACITOR	1uF 16V K	1	
	C81	NDC31HJ-120X	C CAPACITOR	12pF 50V J	1	
	C82	NDC31HJ-120X	C CAPACITOR	12pF 50V J	1	
	C83	NCB31CK-104X	C CAPACITOR	0.1uF 16V	1	
	C84	NCB31HK-333X	C CAPACITOR	0.033uF 50V K	1	
	C85	NCB31CK-104X	C CAPACITOR	0.1uF 16V	1	
	C86	NCB31CK-104X	C CAPACITOR	0.1uF 16V	1	
	C87	NCB31CK-104X	C CAPACITOR	0.1uF 16V	1	
	C88	NCB31CK-104X	C CAPACITOR	0.1uF 16V	1	
	C89	NCB31HK-183X	C CAPACITOR	0.018uF 50V K	1	
	C90	NCB31HK-562X	C CAPACITOR	5600pF 50V K	1	
	C91	NCB31CK-104X	C CAPACITOR	0.1uF 16V	1	
	C92	NCB31CK-105X	C CAPACITOR	1uF 16V K	1	
	C93	NCB31CK-105X	C CAPACITOR	1uF 16V K	1	
	C99	NCB31CK-104X	C CAPACITOR	0.1uF 16V	1	
	C100	NCB31CK-684X	C CAPACITOR	0.68uF 16V K	1	
	C101	NCB31CK-104X	C CAPACITOR	0.1uF 16V	1	
	C102	NCB31CK-684X	C CAPACITOR	0.68uF 16V K	1	
	C109	NCB31CK-105X	C CAPACITOR	1uF 16V K	1	
	C113	NCB31CK-105X	C CAPACITOR	1uF 16V K	1	
	C117	NCB31CK-105X	C CAPACITOR	1uF 16V K	1	
	C118	NCB31HK-103X	C CAPACITOR	0.01uF 50V K	1	
	C121	NCB31CK-104X	C CAPACITOR	0.1uF 16V	1	
	C122	NCB31CK-104X	C CAPACITOR	0.1uF 16V	1	
	C125	NCB31CK-104X	C CAPACITOR	0.1uF 16V	1	
	C126	NCB31CK-104X	C CAPACITOR	0.1uF 16V	1	
	C127	NCB31CK-104X	C CAPACITOR	0.1uF 16V	1	
	C128	NCB31CK-104X	C CAPACITOR	0.1uF 16V	1	
	C129	NCB31CK-104X	C CAPACITOR	0.1uF 16V	1	
	C130	NCB31CK-104X	C CAPACITOR	0.1uF 16V	1	
	C131	NCB31CK-104X	C CAPACITOR	0.1uF 16V	1	
	C132	NCB31CK-104X	C CAPACITOR	0.1uF 16V	1	
	C133	NCB31CK-104X	C CAPACITOR	0.1uF 16V	1	
	C134	NCB31CK-104X	C CAPACITOR	0.1uF 16V	1	
	C135	NCB31CK-104X	C CAPACITOR	0.1uF 16V	1	
	C136	NCB31CK-104X	C CAPACITOR	0.1uF 16V	1	
	C137	NCJ20JM-226X-A	C CAPACITOR	22uF 6.3V M	1	
	C139	NCJ20JM-226X-A	C CAPACITOR	22uF 6.3V M	1	
	C149	NDC31HJ-471X	C CAPACITOR	470pF 50V J	1	
	C156	NCB31CK-104X	C CAPACITOR	0.1uF 16V	1	
	C164	NCB31CK-105X	C CAPACITOR	1uF 16V K	1	
	C168	NCB31HK-272X	C CAPACITOR	2700pF 50V K	1	
	C170	NCB31CK-104X	C CAPACITOR	0.1uF 16V	1	
	C173	NCB31CK-104X	C CAPACITOR	0.1uF 16V	1	
	C174	NCB31CK-104X	C CAPACITOR	0.1uF 16V	1	
	C175	NCJ41CK-476X-A	C CAPACITOR	47uF 16V K	1	
	C176	NCB31CK-104X	C CAPACITOR	0.1uF 16V	1	
	C177	NCB31CK-104X	C CAPACITOR	0.1uF 16V	1	
	C178	NCB31CK-104X	C CAPACITOR	0.1uF 16V	1	
	C197	NCB31CK-104X	C CAPACITOR	0.1uF 16V	1	
	C199	NCB31CK-104X	C CAPACITOR	0.1uF 16V	1	
	C200	NCJ10JM-476X-A	C CAPACITOR	47uF 6.3V M	1	
	C201	NCB31CK-104X	C CAPACITOR	0.1uF 16V	1	
	C205	NCB21AK-225X	C CAPACITOR	2.2uF 10V K	1	
	C206	NCB31HK-222X	C CAPACITOR	2200pF 50V K	1	

MODEL	MARK	MODEL	MARK
KW-NT310J	A	KW-NT510HDTJ	B

Safe	Symbol No.	Parts No.	Parts Name	Description	QTY	Local
	C211	NCB31CK-104X	C CAPACITOR	0.1uF 16V	1	
	C215	NDC31HJ-181X	C CAPACITOR	180pF 50V J	1	
	C216	NCB31CK-104X	C CAPACITOR	0.1uF 16V	1	
	C218	NCB31CK-104X	C CAPACITOR	0.1uF 16V	1	
	C219	NCB31HK-223X	C CAPACITOR	0.022uF 50V K	1	
	C220	NCB31HK-102X	C CAPACITOR	1000pF 50V K	1	
	C222	NCB31CK-104X	C CAPACITOR	0.1uF 16V	1	
	C223	NCB31HK-102X	C CAPACITOR	1000pF 50V K	1	
	C224	NCB21AK-225X	C CAPACITOR	2.2uF 10V K	1	
	C225	NCJ41CK-476X-A	C CAPACITOR	47uF 16V K	1	
	C228	NCB31HK-102X	C CAPACITOR	1000pF 50V K	1	
	C229	NCB31HK-223X	C CAPACITOR	0.022uF 50V K	1	
	C232	NCJ41CK-476X-A	C CAPACITOR	47uF 16V K	1	
	C233	NCB31CK-105X	C CAPACITOR	1uF 16V K	1	
	C235	NCB31HK-102X	C CAPACITOR	1000pF 50V K	1	
	C237	NCB31HK-221X	C CAPACITOR	220pF 50V K	1	
	C238	NCB31CK-104X	C CAPACITOR	0.1uF 16V	1	
	C240	NCB31CK-104X	C CAPACITOR	0.1uF 16V	1	
	C241	NCB31CK-104X	C CAPACITOR	0.1uF 16V	1	
	C251	NRSA63J-0R0X	MG RESISTOR	0Ω 1/10W J	1	
	C252	NRSA63J-0R0X	MG RESISTOR	0Ω 1/10W J	1	
	R46	NRSA6AD-103W	MG RESISTOR	10kΩ 1/16W D	1	
	R47	NRSA6AD-103W	MG RESISTOR	10kΩ 1/16W D	1	
	R49	NRSA63J-0R0X	MG RESISTOR	0Ω 1/10W J	1	
	R54	NRSA6AJ-910W	MG RESISTOR	91Ω 1/16W J	1	
	R55	NRSA6AJ-910W	MG RESISTOR	91Ω 1/16W J	1	
	R56	NRSA6AD-432W	MG RESISTOR	4.3kΩ 1/16W D	1	
	R57	NRSA6AD-242W	MG RESISTOR	2.4kΩ 1/16W D	1	
	R58	NRZ0122-390X	MG RESISTOR	39Ω	1	
	R59	NRSA63J-2R2X	MG RESISTOR	2.2Ω 1/16W J	1	
	R60	NRSA6AJ-102W	MG RESISTOR	1kΩ 1/16W J	1	
	R61	NRSA6AD-471W	MG RESISTOR	470Ω 1/16W D	1	
	R62	NRSA6AD-471W	MG RESISTOR	470Ω 1/16W D	1	
	R64	NRSA63D-432X	MG RESISTOR	4.3kΩ 1/16W D	1	
	R65	NRSA63D-242X	MG RESISTOR	2.4kΩ 1/16W D	1	
	R66	NRZ0122-270X	MG RESISTOR	27Ω	1	
	R67	NRSA63J-2R2X	MG RESISTOR	2.2Ω 1/16W J	1	
	R68	NRSA6AJ-102W	MG RESISTOR	1kΩ 1/16W J	1	
	R69	NRSA63J-471X	MG RESISTOR	470Ω 1/16W J	1	
	R70	NRSA6AD-471W	MG RESISTOR	470Ω 1/16W D	1	
	R79	NRSA6AJ-104W	MG RESISTOR	100kΩ 1/16W J	1	
	R83	NRSA6AD-103W	MG RESISTOR	10kΩ 1/16W D	1	
	R89	NRSA63J-103X	MG RESISTOR	10kΩ 1/16W J	1	
	R92	NRSA63J-473X	MG RESISTOR	47kΩ 1/16W J	1	
	R93	NRSA6AD-222W	MG RESISTOR	2.2kΩ 1/16W D	1	
	R94	NRSA6AD-222W	MG RESISTOR	2.2kΩ 1/16W D	1	
	R99	NRSA63J-0R0X	MG RESISTOR	0Ω 1/10W J	1	
	R100	NRSA6AD-103W	MG RESISTOR	10kΩ 1/16W D	1	
	R104	NRSA63J-0R0X	MG RESISTOR	0Ω 1/10W J	1	
	R105	NRSA63J-0R0X	MG RESISTOR	0Ω 1/10W J	1	
	R107	NRSA63J-152X	MG RESISTOR	1.5kΩ 1/16W J	1	
	R113	NRSA63J-0R0X	MG RESISTOR	0Ω 1/10W J	1	
	R117	NRSA6AJ-103W	MG RESISTOR	10kΩ 1/16W J	1	
	R120	NRSA63J-152X	MG RESISTOR	1.5kΩ 1/16W J	1	
	R122	NRSA6AD-103W	MG RESISTOR	10kΩ 1/16W D	1	
	R128	NRSA6AD-270W	MG RESISTOR	27Ω 1/16W D	1	
	R129	NRSA6AD-103W	MG RESISTOR	10kΩ 1/16W D	1	
	R131	NRSA6AJ-102W	MG RESISTOR	1kΩ 1/16W J	1	
	R132	NRSA6AJ-102W	MG RESISTOR	1kΩ 1/16W J	1	
	R133	NRSA6AJ-223W	MG RESISTOR	22kΩ 1/16W J	1	
	R135	NRSA63J-102X	MG RESISTOR	1kΩ 1/16W J	1	
	R136	NRSA63J-0R0X	MG RESISTOR	0Ω 1/10W J	1	
	R137	NRSA63J-0R0X	MG RESISTOR	0Ω 1/10W J	1	
	R141	NRSA63D-332X	MG RESISTOR	3.3kΩ 1/16W D	1	
	R142	NRSA63J-0R0X	MG RESISTOR	0Ω 1/10W J	1	
	R144	NRSA6AD-103W	MG RESISTOR	10kΩ 1/16W D	1	
	R145	NRSA6AD-103W	MG RESISTOR	10kΩ 1/16W D	1	
	R147	NRSA63J-104X	MG RESISTOR	100kΩ 1/16W J	1	
	R152	NRSA63J-0R0X	MG RESISTOR	0Ω 1/10W J	1	
	R153	NRSA6AD-162W	MG RESISTOR	1.6kΩ 1/16W D	1	
	R154	NRSA63J-0R0X	MG RESISTOR	0Ω 1/10W J	1	
	R156	NRSA63J-0R0X	MG RESISTOR	0Ω 1/10W J	1	
	R160	NRSA63D-303X	MG RESISTOR	30kΩ 1/16W D	1	
	R163	NRSA6AD-103W	MG RESISTOR	10kΩ 1/16W D	1	
	R164	NRSA63J-181X	MG RESISTOR	180Ω 1/16W J	1	
	R165	NRSA6AJ-473W	MG RESISTOR	47kΩ 1/16W J	1	
	R166	NRSA6AD-473W	MG RESISTOR	47kΩ 1/16W D	1	
	R168	NRSA6AD-473W	MG RESISTOR	47kΩ 1/16W D	1	
	R170	NRSA6AD-151W	MG RESISTOR	150Ω 1/16W D	1	
	R171	NRSA63J-105X	MG RESISTOR	1MΩ 1/16W J	1	
	R172	NRSA6AD-101W	MG RESISTOR	100Ω 1/16W D	1	
	R173	NRSA6AD-101W	MG RESISTOR	100Ω 1/16W D	1	
	R174	NRSA6AJ-101W	MG RESISTOR	100Ω 1/16W J	1	
	R177	NRSA63J-0R0X	MG RESISTOR	0Ω 1/10W J	1	
	R178	NRSA63J-0R0X	MG RESISTOR	0Ω 1/10W J	1	
	R189	NRSA6AJ-331W	MG RESISTOR	330Ω 1/16W J	1	
	R190	NRSA6AJ-331W	MG RESISTOR	330Ω 1/16W J	1	
	R195	NRSA6AJ-103W	MG RESISTOR	10kΩ 1/16W J	1	
	R201	NRSA63J-102X	MG RESISTOR	1kΩ 1/16W J	1	
	R205	NRSA6AD-103W	MG RESISTOR	10kΩ 1/16W D	1	
	R211	NRSA6AD-473W	MG RESISTOR	47kΩ 1/16W D	1	
	R215	NRSA63D-122X	MG RESISTOR	1.2kΩ 1/16W D	1	
	R216	NRSA63D-122X	MG RESISTOR	1.2kΩ 1/16W D	1	

MODEL	MARK	MODEL	MARK
KW-NT310J	A	KW-NT510HDTJ	B

Safe	Symbol No.	Parts No.	Parts Name	Description	QTY	Local
	R219	NRSA63J-150X	MG RESISTOR	15Ω 1/16W J	1	
	R220	NRSA63J-0R0X	MG RESISTOR	0Ω 1/10W J	1	
	R223	NRSA63J-0R0X	MG RESISTOR	0Ω 1/10W J	1	
	R229	NRSA63J-0R0X	MG RESISTOR	0Ω 1/10W J	1	
	R233	NRSA6AD-103W	MG RESISTOR	10kΩ 1/16W D	1	
	R240	NRSA63J-0R0X	MG RESISTOR	0Ω 1/10W J	1	
	R241	NRSA63J-0R0X	MG RESISTOR	0Ω 1/10W J	1	
	R242	NRSA63J-0R0X	MG RESISTOR	0Ω 1/10W J	1	
	R248	NRSA63J-0R0X	MG RESISTOR	0Ω 1/10W J	1	
	R250	NRSA63J-0R0X	MG RESISTOR	0Ω 1/10W J	1	
	R252	NRSA63J-0R0X	MG RESISTOR	0Ω 1/10W J	1	
	R253	NRSA63J-0R0X	MG RESISTOR	0Ω 1/10W J	1	
	R254	NRSA63J-0R0X	MG RESISTOR	0Ω 1/10W J	1	
	R255	NRSA63J-0R0X	MG RESISTOR	0Ω 1/10W J	1	
	R258	NRSA63J-0R0X	MG RESISTOR	0Ω 1/10W J	1	
	R259	NRSA63J-0R0X	MG RESISTOR	0Ω 1/10W J	1	
	R260	NRSA63J-103X	MG RESISTOR	10kΩ 1/16W J	1	
	R265	NRSA6AJ-103W	MG RESISTOR	10kΩ 1/16W J	1	
	R267	NRSA6AJ-472W	MG RESISTOR	4.7kΩ 1/16W J	1	
	R268	NRSA63J-0R0X	MG RESISTOR	0Ω 1/10W J	1	
	R270	NRSA63J-0R0X	MG RESISTOR	0Ω 1/10W J	1	
	R272	NRSA63J-0R0X	MG RESISTOR	0Ω 1/10W J	1	
	R273	NRSA63J-0R0X	MG RESISTOR	0Ω 1/10W J	1	
	R275	NRSA63J-0R0X	MG RESISTOR	0Ω 1/10W J	1	
	R303	NRZ0098-R18X	MG RESISTOR	0.18Ω	1	
	R309	NRZ0098-R47X	MG RESISTOR	0.47Ω	1	
	R310	NRSA6AD-333W	MG RESISTOR	33kΩ 1/16W D	1	
	R311	NRSA63J-391X	MG RESISTOR	390Ω 1/16W J	1	
	R318	NRSA63J-203X	MG RESISTOR	20kΩ 1/16W J	1	
	R319	NRSA6AD-622W	MG RESISTOR	6.2kΩ 1/16W D	1	
	R323	NRSA6AD-391W	MG RESISTOR	390Ω 1/16W D	1	
	R324	NRSA63D-682X	MG RESISTOR	6.8kΩ 1/16W D	1	
	R325	NRSA63D-753X	MG RESISTOR	75kΩ 1/16W D	1	
	R329	NRZ0098-R47X	MG RESISTOR	0.47Ω	1	
	R352	NRSA6AJ-102W	MG RESISTOR	1kΩ 1/16W J	1	
	R357	NRZ0098-R22X	MG RESISTOR	0.22Ω	1	
	R359	NRSA6AD-243W	MG RESISTOR	24kΩ 1/16W D	1	
	R362	NRSA63J-103X	MG RESISTOR	10kΩ 1/16W J	1	
	R364	NRSA63J-391X	MG RESISTOR	390Ω 1/16W J	1	
	R365	NRSA6AD-103W	MG RESISTOR	10kΩ 1/16W D	1	
	R366	NRZ0098-R22X	MG RESISTOR	0.22Ω	1	
	R367	NRSA6AJ-104W	MG RESISTOR	100kΩ 1/16W J	1	
	R369	NRZ0098-R22X	MG RESISTOR	0.22Ω	1	
	R371	NRSA63J-0R0X	MG RESISTOR	0Ω 1/10W J	1	
	R375	NRSA6AD-152W	MG RESISTOR	1.5kΩ 1/16W D	1	
	R376	NRSA6AD-822W	MG RESISTOR	8.2kΩ 1/16W D	1	
	R379	NRSA63D-332X	MG RESISTOR	3.3kΩ 1/16W D	1	
	R380	NRSA63J-223X	MG RESISTOR	22kΩ 1/16W J	1	
	R382	NRSA6AJ-102W	MG RESISTOR	1kΩ 1/16W J	1	
	R383	NRSA63J-223X	MG RESISTOR	22kΩ 1/16W J	1	
	R384	NRSA6AJ-104W	MG RESISTOR	100kΩ 1/16W J	1	
	R386	NRSA6AJ-184W	MG RESISTOR	180kΩ 1/16W J	1	
	R387	NRSA63D-473X	MG RESISTOR	47kΩ 1/16W D	1	
	R391	NRSA6AD-822W	MG RESISTOR	8.2kΩ 1/16W D	1	
	R392	NRSA63J-103X	MG RESISTOR	10kΩ 1/16W J	1	
	R393	NRSA6AD-103W	MG RESISTOR	10kΩ 1/16W D	1	
	R394	NRSA63J-393X	MG RESISTOR	39kΩ 1/16W J	1	
	R397	NRSA6AJ-101W	MG RESISTOR	100Ω 1/16W J	1	
	R400	NRSA6AD-153W	MG RESISTOR	15kΩ 1/16W D	1	
	R402	NRSA6AJ-473W	MG RESISTOR	47kΩ 1/16W J	1	
	R403	NRSA63J-101X	MG RESISTOR	100Ω 1/16W J	1	
	R406	NRZ0098-R22X	MG RESISTOR	0.22Ω	1	
	R417	NRSA63J-333X	MG RESISTOR	33kΩ 1/16W J	1	
	R419	NRSA63D-104X	MG RESISTOR	100kΩ 1/16W D	1	
	R420	NRSA6AJ-184W	MG RESISTOR	180kΩ 1/16W J	1	
	CN1	QGF0523F3-20W	CONNECTOR	FFC/FPC (1-20)	1	
	CN2	QGA1002F1-03X	CONNECTOR	W-B (1-3)	1	
	CN101	QGF0522F2-30W	CONNECTOR	FFC/FPC (1-30)	1	
	CN403	QGF0534F5-50X	CONNECTOR	FFC/FPC (1-50)	1	
	K7	NRSA63J-101X	MG RESISTOR	100Ω 1/16W J	1	
	K8	NRSA63J-0R0X	MG RESISTOR	0Ω 1/10W J	1	
	K9	NRSA63J-101X	MG RESISTOR	100Ω 1/16W J	1	
	K10	NRSA63J-101X	MG RESISTOR	100Ω 1/16W J	1	
	K101	NQR0007-002X	FERRITE BEADS		1	
	K102	NQR0007-002X	FERRITE BEADS		1	
	K103	NQR0502-001X	FERRITE BEADS		1	
	K108	NQR0129-002X	FERRITE BEADS		1	
	K110	NQR0129-002X	FERRITE BEADS		1	
	K111	NQR0129-002X	FERRITE BEADS		1	
	K112	NQR0129-002X	FERRITE BEADS		1	
	K113	NQR0502-001X	FERRITE BEADS		1	
	K114	NQR0022-005X	FERRITE BEADS		1	
	K115	NQR0022-005X	FERRITE BEADS		1	
	K116	NQR0129-002X	FERRITE BEADS		1	
	K117	NQR0022-005X	FERRITE BEADS		1	
	K118	NRSA63J-0R0X	MG RESISTOR	0Ω 1/10W J	1	
	K119	NRSA63J-0R0X	MG RESISTOR	0Ω 1/10W J	1	
	K120	NRSA63J-0R0X	MG RESISTOR	0Ω 1/10W J	1	
	K124	NRSA63J-0R0X	MG RESISTOR	0Ω 1/10W J	1	
	K132	NQR0022-005X	FERRITE BEADS		1	
	K137	NRSA63J-0R0X	MG RESISTOR	0Ω 1/10W J	1	
	K141	NRSA63J-0R0X	MG RESISTOR	0Ω 1/10W J	1	

MODEL	MARK	MODEL	MARK
KW-NT310J	A	KW-NT510HDTJ	B

Safe	Symbol No.	Parts No.	Parts Name	Description	QTY	Local
	K142	NRSA63J-0R0X	MG RESISTOR	0Ω 1/10W J	1	
	S1	NSW0313-001X	DETECT SWITCH		1	
	X351	NAX0741-001X	CRYSTAL	27.000MHz	1	