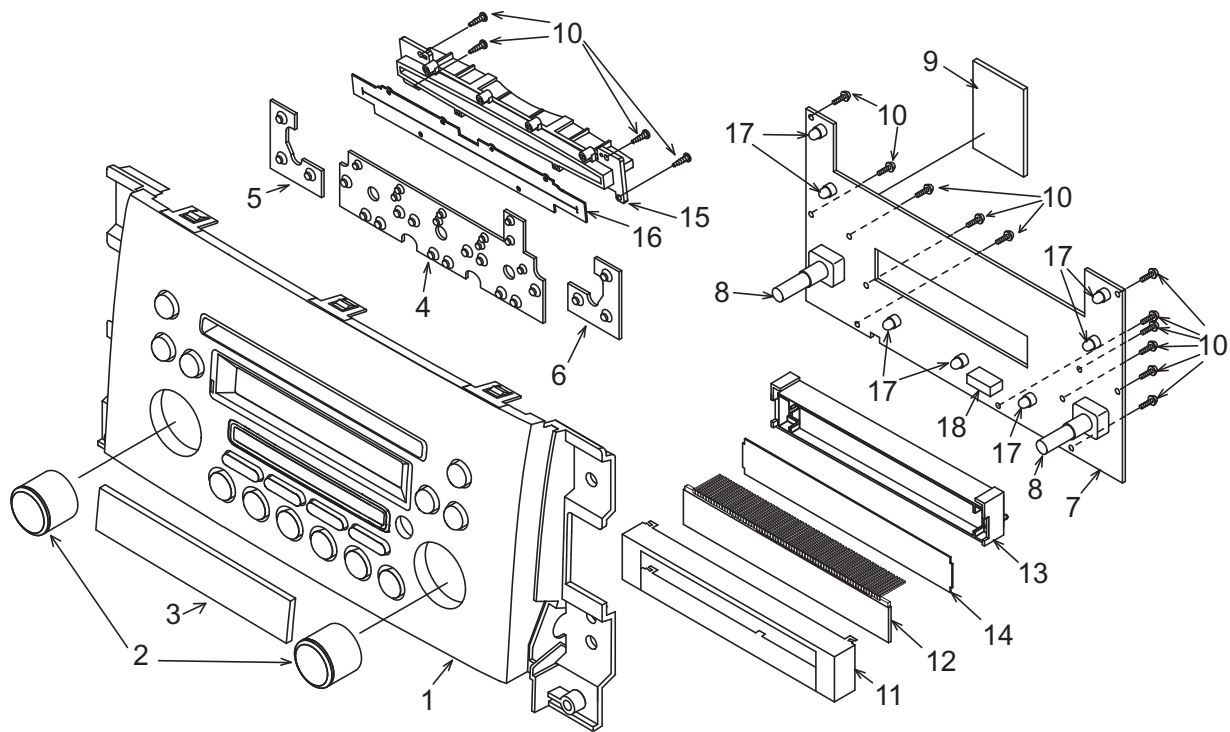


# EXPLODED VIEW/PARTS LIST

## Escutcheon section



Note) Several different parts of the same reference number are alternative parts.

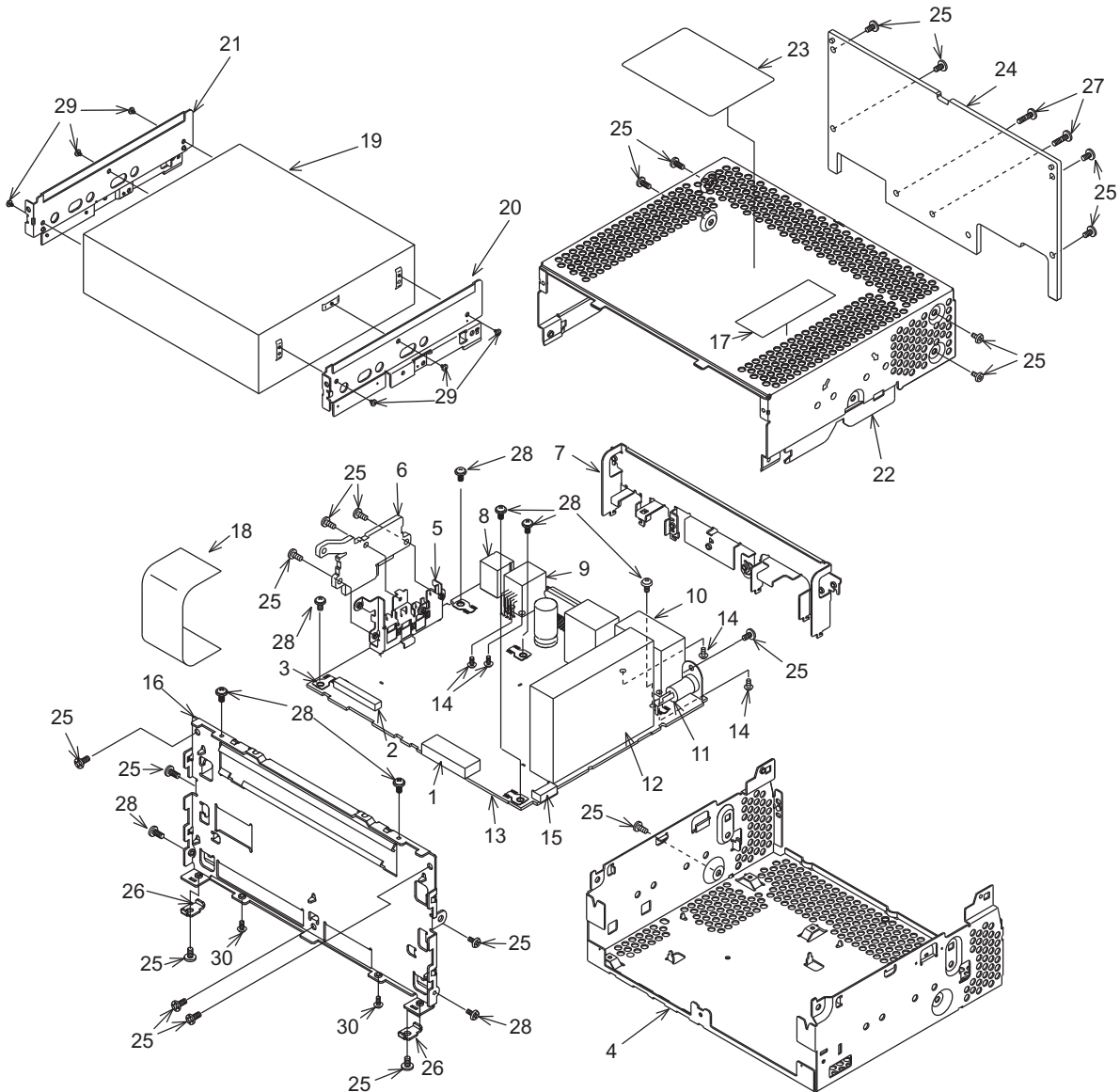
One of those parts is used in the set.

Clamping torque value of a screw is 0.2 +0.04/-0.04 Newton meter.

NO.	PART NO.	DESCRIPTION	QTY
1	940-8171-50 940-8171-51	ES-ASSY(PS2999DA)BLACK ES-ASSY(PS2999DB)BROWN	1 1
2	380-5610-00	KNOB	2
3	373-1047-20	DIAL COVER	1
4	345-5782-01	RUBBER SW (CENTER)	1
5	345-5783-00	RUBBER SW (LEFT)	1
6	345-5784-00	RUBBER SW (RIGHT)	1
7	-----	Switch PWB	1
8	016-0018-17	VR W/SHAFT	2
9	345-6006-00	PROTECTOR	1

NO.	PART NO.	DESCRIPTION	QTY
10	716-0778-51	P-TITE SCREW (2x6)	15
11	331-3883-00	LCD COVER	1
12	379-1362-51	INDICATOR (LCD)	1
13	335-7956-00	LCD HOLDER	1
14	335-7929-00	COLOR FILTER	1
15	335-7946-00	DISC GUIDE(6CD)	1
16	346-0182-01	LEATHER SHEET	1
17	017-0420-43	PL LAMP (14V 40mA RED)	7
18	074-3013-74	OUTLETSOCKET	1

Main section



Note) Several different parts of the same reference number are alternative parts.  
 One of those parts is used in the set.  
 Clamping torque value of a screw is 0.4 +0.08/-0.08 Newton meter.

NO.	PART NO.	DESCRIPTION	Q'TY
1	076-0662-74	PLUG(26P)	1
2	074-1237-69	OUTLET SOCKET	1
3	073-0762-90	TERMINAL	5
4	311-1919-30	LOWER CASE	1
5	331-4126-00	TR HOLDER	1
6	313-1966-00	SUB HEAT SINK	1
7	331-4127-00	REAR PLATE	1
8	074-1194-00	OUTLET SOCKET	1
9	074-1302-08	OUTLET SOCKET	1
10	074-4007-20	OUTLET SOCKET	1
11	092-0702-00	ANT-RECEPT	1
12	941-0221-70	TUNER PACK	1
13	-----	Main PWB	1
14	778-3006-00	TAP-SCREW(3x6)	4
15	076-0717-09	PLUG	1
16	309-0836-11	ES PLATE	1

NO.	PART NO.	DESCRIPTION	Q'TY
17	285-1960-00	GUIDE LABEL	1
18	816-4024-50	FLAT WIRE	1
19	929-0371-85	CD-MECH-MODULE	1
20	331-4091-10	CD BRKT(L)	1
21	331-4092-10	CD BRKT(R)	1
22	310-1826-60	UPPER CASE	1
23	286-6224-27 286-6224-29	SETPLATE(PS2999DA) SETPLATE(PS2999DB)	1 1
24	313-1962-00	HEAT SINK	1
25	714-2606-8B	MACHINE SCREW(M2.6x6)	20
26	331-4193-20	SU-PLATE	2
27	714-2610-89	MACHINE SCREW(M2.6x10)	2
28	716-0878-50	IT SCREW(M2.6x5)	9
29	716-3552-00	IT SCREW(M2.3x2.5)	6
30	780-2603-06	IT SCREW(M2.3x3.0)	2

# ELECTRICAL PARTS LIST

Main PWB section (B1)

REF No.	PART No.	DESCRIPTION	REF No.	PART No.	DESCRIPTION	REF No.	PART No.	DESCRIPTION
ANT101	092-0702-00	ANT-RECEPT	C391	168-1042-78	16V 0.1uF	J801	074-4007-20	20PIN
BL101	941-0221-70	TUNER PACK	C392	168-1042-78	16V 0.1uF	L101	010-2003-04	30uH
C103	168-2232-55	0.022uF K	C393	168-1042-78	16V 0.1uF	L102	010-6009-76	22uH J
C104	188-1073-28	10V 100uF	C394	168-1042-78	16V 0.1uF	L103	010-6009-76	22uH J
C105	168-1042-78	16V 0.1uF	C395	168-1032-55	0.01uF K	L121	010-6009-76	22uH J
C106	168-1042-78	16V 0.1uF	C396	163-1053-65	50V 1uF	L501	010-6009-76	22uH J
C107	188-1073-28	10V 100uF	C397	042-1624-00	4700 16V	L502	010-6009-76	22uH J
C108	168-1042-78	16V 0.1uF	C398	163-1063-35	16V 10uF	L801	010-8026-00	210uH
C109	168-2232-55	0.022uF K	C399	163-1053-65	50V 1uF	P501	076-0662-74	24P
C111	168-2232-55	0.022uF K	C501	168-1042-78	16V 0.1uF	P503	076-0717-09	9P
C112	168-4745-79	0.47uF Z	C502	188-4763-18	6.3V 47uF	Q121	190-1298-00	2SA1298
C113	168-5632-78	16V 0.056uF	C503	168-1032-55	0.01uF K	Q122	190-1298-00	2SA1298
C114	168-5632-78	16V 0.056uF	C504	168-1032-55	0.01uF K	Q123	190-1298-00	2SA1298
C121	166-1501-50	15pF CH	C505	168-1032-55	0.01uF K	Q241	125-0021-91	DTA114EUA
C122	188-4763-38	16V 47uF	C506	168-1042-78	16V 0.1uF	Q242	125-2027-91	DTC114EUA
C123	168-1022-55	1000pF K	C507	188-1053-68	50V 1uF	Q243	193-0601-00	2SD601A
C124	042-1458-90	50V 1uF LN	C509	168-1022-55	1000pF K	Q244	192-4116-00	2SC4116
C125	166-1501-50	15pF CH	C510	168-1022-55	1000pF K	Q245	125-2027-91	DTC114EUA
C126	166-1011-50	100pF CH	C511	168-1042-78	16V 0.1uF	Q246	125-0021-91	DTA114EUA
C127	166-1011-50	100pF CH	C512	168-1032-55	0.01uF K	Q247	125-2027-91	DTC114EUA
C128	166-1011-50	100pF CH	C513	189-1073-29	10V 100uF	Q248	198-3018-00	2SK3018
C129	166-1011-50	100pF CH	C514	168-1042-78	16V 0.1uF	Q249	198-3018-00	2SK3018
C130	168-2232-55	0.022uF K	C515	166-1011-50	100pF CH	Q391	125-2027-91	DTC114EUA
C131	188-4763-38	16V 47uF	C516	188-1063-38	16V 10uF	Q392	192-4116-00	2SC4116
C132	166-1811-50	180pF CH	C517	042-0559-00	0.1F 5.5V	Q502	190-1736-00	2SA1736
C133	168-1042-78	16V 0.1uF	C722	168-1042-78	16V 0.1uF	Q503	192-4116-00	2SC4116
C160	168-1042-78	16V 0.1uF	C731	172-1041-15	0.1uF	Q504	192-4116-00	2SC4116
C212	188-4763-38	16V 47uF	C732	188-1053-68	50V 1uF	Q505	192-4116-00	2SC4116
C222	168-1042-78	16V 0.1uF	C741	043-0328-90	0.1uF	Q506	193-2118-50	2SD2118F5 R,S
C241	168-2232-55	0.022uF K	C744	188-1073-28	10V 100uF	Q701	192-4116-00	2SC4116
C243	188-4763-38	16V 47uF	C761	188-1063-38	16V 10uF	Q711	190-1736-00	2SA1736
C244	168-1042-78	16V 0.1uF	C762	188-1063-38	16V 10uF	Q712	192-4116-00	2SC4116
C245	168-1042-78	16V 0.1uF	C771	188-1073-28	10V 100uF	Q761	193-1664-00	2SD1664 P,Q,R
C274	189-2273-29	10V 220uF	C772	188-1063-38	16V 10uF	Q762	125-0021-91	DTA114EUA
C276	043-0328-90	0.1uF	C791	188-4756-58	35V 4.7uF	Q763	125-2027-91	DTC114EUA
C301	178-1052-78	1uF	C792	168-1042-78	16V 0.1uF	Q771	193-2118-00	2SD2118F5 Q,R,S
C302	178-1052-78	1uF	C811	172-1041-15	0.1uF	Q773	192-4116-00	2SC4116
C305	178-1052-78	1uF	C821	188-1063-38	16V 10uF	Q775	192-4116-00	2SC4116
C306	178-1052-78	1uF	CCT501	050-0140-54	1/32W 1k ohm x4J	Q776	125-0021-91	DTA114EUA
C309	168-2232-55	0.022uF K	CCT504	050-0140-54	1/32W 1k ohm x4J	Q777	125-2027-91	DTC114EUA
C310	168-2232-55	0.022uF K	CCT505	050-0140-54	1/32W 1k ohm x4J	Q791	192-4116-00	2SC4116
C311	188-2253-68	50V 2.2uF	D391	001-0516-90	MA111	Q792	192-4116-00	2SC4116
C312	188-2253-68	50V 2.2uF	D505	001-0516-90	MA111	Q821	190-1736-00	2SA1736
C313	188-2253-68	50V 2.2uF	D506	001-2403-90	M1F60	Q822	192-4116-00	2SC4116
C314	188-2253-68	50V 2.2uF	D507	001-4301-25	HZU4.7B1	R101	119-0000-05	1/10W 0 ohm JW
C318	168-1522-55	1500pF K	D508	001-0466-90	S5688B	R102	119-0000-05	1/10W 0 ohm JW
C319	168-1522-55	1500pF K	D509	001-0504-36	HZS7A1L	R103	119-1041-15	1/10W 100k ohm
C322	188-1063-38	16V 10uF	D701	001-0424-31	MA4180	R104	119-2221-15	1/10W 2.2k ohm
C323	188-1063-38	16V 10uF	D702	001-0424-31	MA4180	R105	119-5611-15	1/10W 560 ohm
C324	188-1073-28	10V 100uF	D703	001-0424-31	MA4180	R106	119-2221-15	1/10W 2.2k ohm
C325	168-1042-78	16V 0.1uF	D711	001-0466-90	S5688B	R107	116-1001-15	1/4W 10 ohm
C326	188-1053-68	50V 1uF	D712	001-0466-90	S5688B	R108	119-2231-15	1/10W 22k ohm
C327	188-1053-68	50V 1uF	D731	001-0466-90	S5688B	R109	119-5121-15	1/10W 5.1k ohm
C328	188-2253-68	50V 2.2uF	D761	001-0504-39	HZS7B2L	R111	119-0000-05	1/10W 0 ohm JW
C329	188-2253-68	50V 2.2uF	D771	001-0347-43	MA40482LTA	R121	119-0000-05	1/10W 0 ohm JW
C330	168-1822-55	1800pF K	D772	001-0347-24	MA4043HTA	R122	119-3321-15	1/10W 3.3k ohm
C331	168-1822-55	1800pF K	D801	001-0592-00	RM4Z	R123	119-4721-15	1/10W 4.7k ohm
C332	178-3342-78	0.33uF	D851	001-4301-68	HZU18B1	R124	119-2221-15	1/10W 2.2k ohm
C333	178-3342-78	0.33uF	IC121	051-6201-90	LC72146M	R125	119-1021-15	1/10W 1k ohm
C334	166-4711-50	470pF CH	IC241	051-3367-90	NJU7780U1-33-TE2	R127	119-5631-15	1/10W 56k ohm
C335	166-4711-50	470pF CH	IC272	051-3334-00	NJM2396F0	R128	119-4731-15	1/10W 47k ohm
C346	188-1073-28	10V 100uF	IC301	051-5042-91	CL7639V11	R130	119-2221-15	1/10W 2.2k ohm
C352	168-1042-78	16V 0.1uF	IC351	051-3034-90	NJM4558V	R131	119-1031-15	1/10W 10k ohm
C353	042-1562-15	10V 220uF	IC391	051-2040-00	TA8276H	R132	119-1031-15	1/10W 10k ohm
C354	166-2201-50	22pF CH	IC501	052-3196-21	M30622MGP-E22GP	R133	119-2221-15	1/10W 2.2k ohm
C355	166-2201-50	22pF CH	IC502	051-0869-58	NJM2103M	R134	119-2221-15	1/10W 2.2k ohm
C356	166-1007-50	10pF CH	IC503	051-9400-29	BR93L46F-W	R135	119-1031-15	1/10W 10k ohm
C357	166-1007-50	10pF CH	IC504	051-6600-58	HA12187FP	R242	119-4731-15	1/10W 47k ohm
C358	188-1063-38	16V 10uF	IC741	051-3369-00	NJM2388F8	R243	119-1021-15	1/10W 1k ohm
C359	188-1063-38	16V 10uF	J241	074-1237-69	19PIN	R245	119-3331-15	1/10W 33k ohm
C360	188-1063-38	16V 10uF	J701	074-1194-00	13PIN	R246	119-4731-15	1/10W 47k ohm
C361	188-1063-38	16V 10uF	J721	074-1302-08	8PIN	R248	119-1041-15	1/10W 100k ohm

PS-2999D-A  
PS-2999D-B

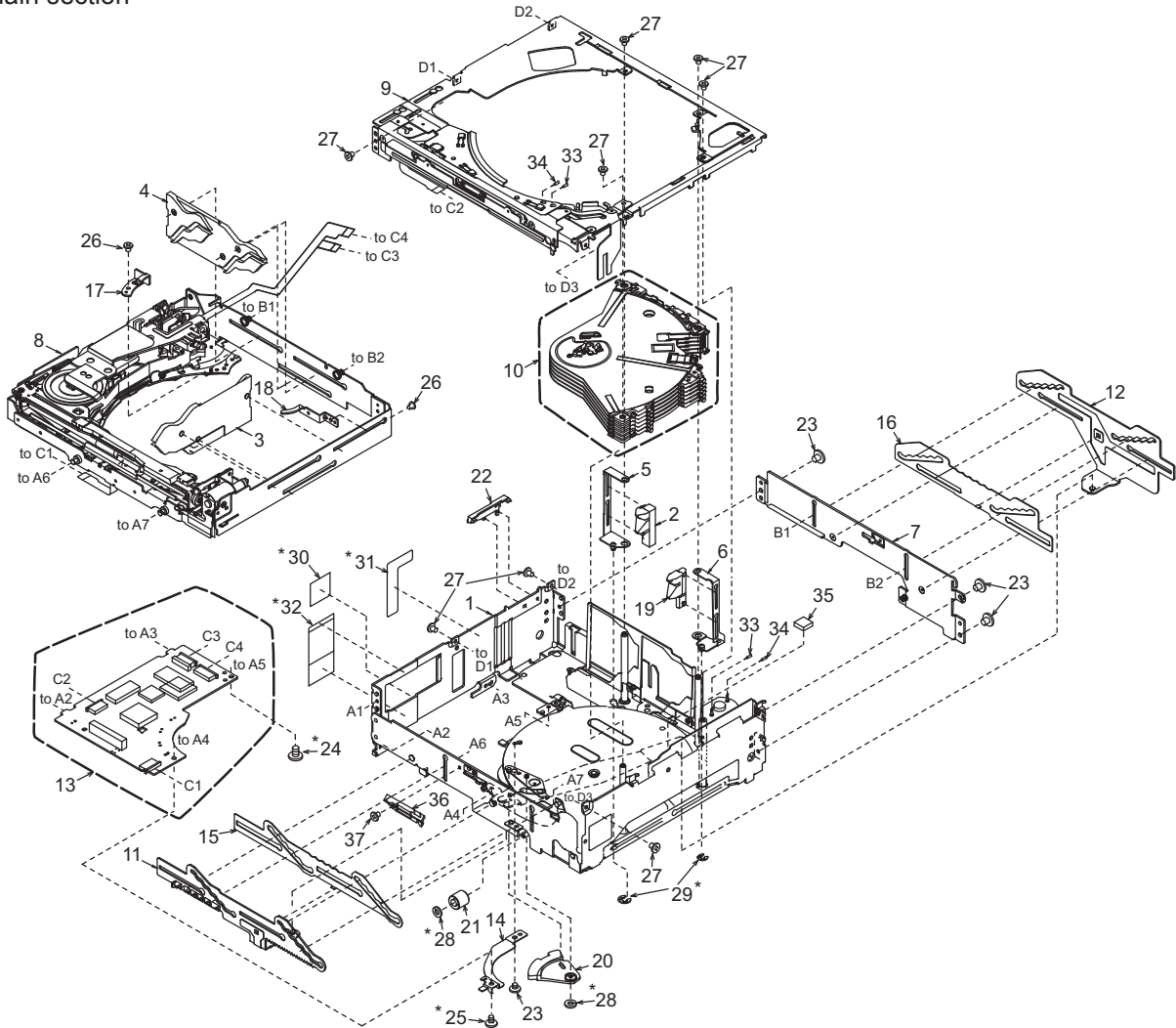
REF No.	PART No.	DESCRIPTION	REF No.	PART No.	DESCRIPTION	REF No.	PART No.	DESCRIPTION
R250	119-3331-15	1/10W 33k ohm	R512	119-4721-15	1/10W 4.7k ohm	R573	119-4731-15	1/10W 47k ohm
R253	119-4731-15	1/10W 47k ohm	R513	119-4721-15	1/10W 4.7k ohm	R701	116-1211-15	1/4W 120 ohm
R255	119-3331-15	1/10W 33k ohm	R514	119-1021-15	1/10W 1k ohm	R702	116-6801-15	1/4W 68 ohm
R256	119-0000-05	1/10W 0 ohm JW	R515	119-1041-15	1/10W 100k ohm	R703	119-2231-15	1/10W 22k ohm
R258	119-4731-15	1/10W 47k ohm	R516	119-1041-15	1/10W 100k ohm	R704	119-2231-15	1/10W 22k ohm
R271	119-4731-15	1/10W 47k ohm	R517	116-1001-15	1/4W 10 ohm	R711	116-2221-15	1/4W 2.2k ohm
R273	119-0000-05	1/10W 0 ohm JW	R520	119-4731-15	1/10W 47k ohm	R712	117-1031-15	1/8W 10k ohm
R301	119-1021-15	1/10W 1k ohm	R521	119-4731-15	1/10W 47k ohm	R713	116-2221-15	1/4W 2.2k ohm
R302	119-1021-15	1/10W 1k ohm	R522	119-4731-15	1/10W 47k ohm	R714	119-1031-15	1/10W 10k ohm
R305	119-1021-15	1/10W 1k ohm	R527	119-4721-15	1/10W 4.7k ohm	R715	119-3321-15	1/10W 3.3k ohm
R306	119-1021-15	1/10W 1k ohm	R528	032-0140-66	1/10W 220 ohm F	R726	119-1021-15	1/10W 1k ohm
R309	119-1021-15	1/10W 1k ohm	R529	119-1031-15	1/10W 10k ohm	R731	116-5621-15	1/4W 5.6k ohm
R310	119-1021-15	1/10W 1k ohm	R530	119-1041-15	1/10W 100k ohm	R732	116-4721-15	1/4W 4.7k ohm
R311	119-5631-15	1/10W 56k ohm	R531	119-1031-15	1/10W 10k ohm	R761	032-0092-56	1/8W 22k ohm F
R312	119-5631-15	1/10W 56k ohm	R532	119-4721-15	1/10W 4.7k ohm	R762	119-1541-15	1/10W 150k ohm
R313	119-5631-15	1/10W 56k ohm	R533	119-4721-15	1/10W 4.7k ohm	R763	032-0092-51	1/8W 1k ohm F
R314	119-5631-15	1/10W 56k ohm	R534	119-1021-15	1/10W 1k ohm	R764	119-1221-15	1/10W 1.2k ohm
R319	119-1031-15	1/10W 10k ohm	R535	119-1031-15	1/10W 10k ohm	R772	119-2231-15	1/10W 22k ohm
R320	119-6811-15	1/10W 680 ohm	R536	119-2221-15	1/10W 2.2k ohm	R773	116-1021-15	1/4W 1k ohm
R321	119-1031-15	1/10W 10k ohm	R537	119-1031-15	1/10W 10k ohm	R774	119-2231-15	1/10W 22k ohm
R322	119-6811-15	1/10W 680 ohm	R538	119-1031-15	1/10W 10k ohm	R779	116-1821-15	1/4W 1.8k ohm
R323	119-0000-05	1/10W 0 ohm JW	R539	119-1031-15	1/10W 10k ohm	R780	117-1821-15	1/8W 1.8k ohm
R324	119-0000-05	1/10W 0 ohm JW	R540	119-4731-15	1/10W 47k ohm	R781	119-0000-05	1/10W 0 ohm JW
R325	119-0000-05	1/10W 0 ohm JW	R541	119-5621-15	1/10W 5.6k ohm	R791	119-0000-05	1/10W 0 ohm JW
R326	119-0000-05	1/10W 0 ohm JW	R542	119-2231-15	1/10W 22k ohm	R792	116-4721-15	1/4W 4.7k ohm
R351	119-8211-15	1/10W 820 ohm	R544	119-4731-15	1/10W 47k ohm	R794	119-1831-15	1/10W 18k ohm
R352	119-1021-15	1/10W 1k ohm	R545	119-6831-15	1/10W 68k ohm	R795	119-4721-15	1/10W 4.7k ohm
R353	032-0140-50	1/10W 10k ohm F	R546	119-1021-15	1/10W 1k ohm	R796	116-5611-15	1/4W 560 ohm
R354	032-0140-50	1/10W 10k ohm F	R547	119-1021-15	1/10W 1k ohm	R801	119-0000-05	1/10W 0 ohm JW
R355	032-0140-50	1/10W 10k ohm F	R548	119-1031-15	1/10W 10k ohm	R802	119-0000-05	1/10W 0 ohm JW
R356	032-0140-50	1/10W 10k ohm F	R549	119-3341-15	1/10W 330k ohm	R821	116-1031-15	1/4W 10k ohm
R357	032-0140-50	1/10W 10k ohm F	R550	032-0140-22	1/10W 68k ohm F	R822	119-1031-15	1/10W 10k ohm
R358	032-0140-50	1/10W 10k ohm F	R551	032-0140-00	1/10W 56k ohm F	R823	119-1031-15	1/10W 10k ohm
R359	032-0140-50	1/10W 10k ohm F	R552	117-6821-15	1/8W 6.8k ohm	R824	116-2221-15	1/4W 2.2k ohm
R360	032-0140-50	1/10W 10k ohm F	R553	119-4731-15	1/10W 47k ohm	R825	116-2221-15	1/4W 2.2k ohm
R391	119-5631-15	1/10W 56k ohm	R554	119-4731-15	1/10W 47k ohm	R901	119-0000-05	1/10W 0 ohm JW
R392	119-1221-15	1/10W 1.2k ohm	R555	119-5621-15	1/10W 5.6k ohm	R902	119-0000-05	1/10W 0 ohm JW
R393	119-2221-15	1/10W 2.2k ohm	R556	119-1021-15	1/10W 1k ohm	R904	119-0000-05	1/10W 0 ohm JW
R394	119-2221-15	1/10W 2.2k ohm	R557	119-2231-15	1/10W 22k ohm	SUP101	060-0122-20	DSP-141N-S00B
R395	119-2221-15	1/10W 2.2k ohm	R558	119-2231-15	1/10W 22k ohm	TH711	002-0318-01	1206L035YRT
R396	119-2221-15	1/10W 2.2k ohm	R559	119-1021-15	1/10W 1k ohm	TM101	073-0762-90	TERMINAL
R397	119-1031-15	1/10W 10k ohm	R560	119-1021-15	1/10W 1k ohm	TM501	073-0762-90	TERMINAL
R398	119-4731-15	1/10W 47k ohm	R561	119-1021-15	1/10W 1k ohm	TM502	073-0762-90	TERMINAL
R399	119-4731-15	1/10W 47k ohm	R562	119-1021-15	1/10W 1k ohm	TM801	073-0762-90	TERMINAL
R400	119-1031-15	1/10W 10k ohm	R563	119-0000-05	1/10W 0 ohm JW	TM802	073-0762-90	TERMINAL
R502	119-4721-15	1/10W 4.7k ohm	R564	119-1021-15	1/10W 1k ohm	X121	061-1066-00	CRYSTAL 7.2MHZ
R503	119-4721-15	1/10W 4.7k ohm	R566	119-1021-15	1/10W 1k ohm	X501	060-1533-90	CSTCE10M0G52-RO
R504	119-4721-15	1/10W 4.7k ohm	R568	119-4731-15	1/10W 47k ohm	PWB	039-2765-02	PWB(WITHOUT COMPONENT)
R510	119-4721-15	1/10W 4.7k ohm	R570	119-4731-15	1/10W 47k ohm			
R511	119-4721-15	1/10W 4.7k ohm	R572	119-4731-15	1/10W 47k ohm			

Switch PWB section (B2)

REF No.	PART No.	DESCRIPTION	REF No.	PART No.	DESCRIPTION	REF No.	PART No.	DESCRIPTION
C901	168-1042-78	16V 0.1uF	PL901	017-0420-43	14V 40mA RED	R925	119-1221-15	1/10W 1.2k ohm
C902	168-1042-78	16V 0.1uF	PL902	017-0420-43	14V 40mA RED	R926	119-1221-15	1/10W 1.2k ohm
C903	168-1042-78	16V 0.1uF	PL903	017-0420-43	14V 40mA RED	R927	119-1521-15	1/10W 1.5k ohm
C904	168-1042-78	16V 0.1uF	PL904	017-0420-43	14V 40mA RED	R928	119-1221-15	1/10W 1.2k ohm
C905	168-1042-78	16V 0.1uF	PL905	017-0420-43	14V 40mA RED	R929	119-1221-15	1/10W 1.2k ohm
C906	178-1052-78	1uF	PL907	017-0420-43	14V 40mA RED	R930	119-1521-15	1/10W 1.5k ohm
D901	001-0516-90	MA111	PL908	017-0420-43	14V 40mA RED	R931	119-1221-15	1/10W 1.2k ohm
D902	001-0516-90	MA111	R901	119-0000-05	1/10W 0 ohm JW	R932	119-1221-15	1/10W 1.2k ohm
D903	001-0516-90	MA111	R902	119-0000-05	1/10W 0 ohm JW	R933	119-1521-15	1/10W 1.5k ohm
D904	001-0516-90	MA111	R907	119-0000-05	1/10W 0 ohm JW	R934	119-1221-15	1/10W 1.2k ohm
D905	001-7048-91	RFR1112H-22 C,D RED	R908	119-0000-05	1/10W 0 ohm JW	R935	119-1221-15	1/10W 1.2k ohm
D906	001-7048-91	RFR1112H-22 C,D RED	R909	119-0000-05	1/10W 0 ohm JW	R936	119-1521-15	1/10W 1.5k ohm
D907	001-7048-91	RFR1112H-22 C,D RED	R910	119-0000-05	1/10W 0 ohm JW	R937	119-1821-15	1/10W 1.8k ohm
D908	001-7048-91	RFR1112H-22 C,D RED	R914	119-0000-05	1/10W 0 ohm JW	R938	119-2221-15	1/10W 2.2k ohm
D909	001-7048-91	RFR1112H-22 C,D RED	R917	119-0000-05	1/10W 0 ohm JW	R939	119-2221-15	1/10W 2.2k ohm
D910	001-7048-91	RFR1112H-22 C,D RED	R918	119-4341-15	1/10W 430k ohm	TH902	002-0306-90	SC20-3J153
D911	001-7048-91	RFR1112H-22 C,D RED	R919	119-1021-15	1/10W 1k ohm	VR901	016-0018-17	VR W/SHAFT
D912	001-7048-91	RFR1112H-22 C,D RED	R920	119-1021-15	1/10W 1k ohm	VR902	016-0018-17	VR W/SHAFT
D913	001-7087-90	RFR1112H-22 C,D RED	R921	119-1841-15	1/10W 180k ohm	PWB	039-2938-00	PWB(WITHOUT COMPONENT)
IC901	051-6084-00	NJU6625FG1-03	R922	119-1841-15	1/10W 180k ohm			
J901	074-3013-74	24P	R923	119-1841-15	1/10W 180k ohm			
L901	010-3406-66	22uH J	R924	119-1841-15	1/10W 180k ohm			

# EXPLODED VIEW/PARTS LIST

## Main section

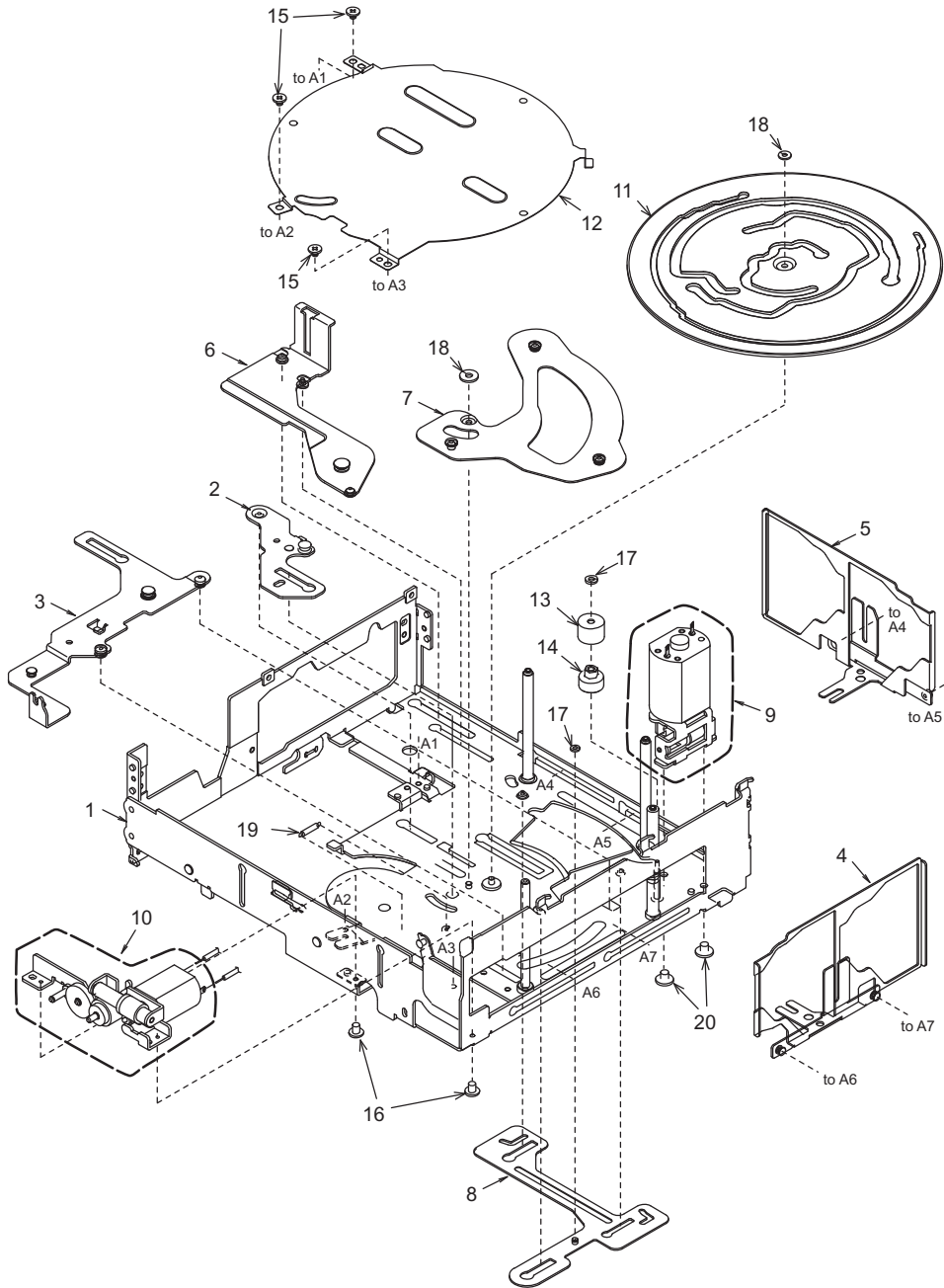


\* Do not reuse the following parts.

(No.24,25,28,29,30,31,32)

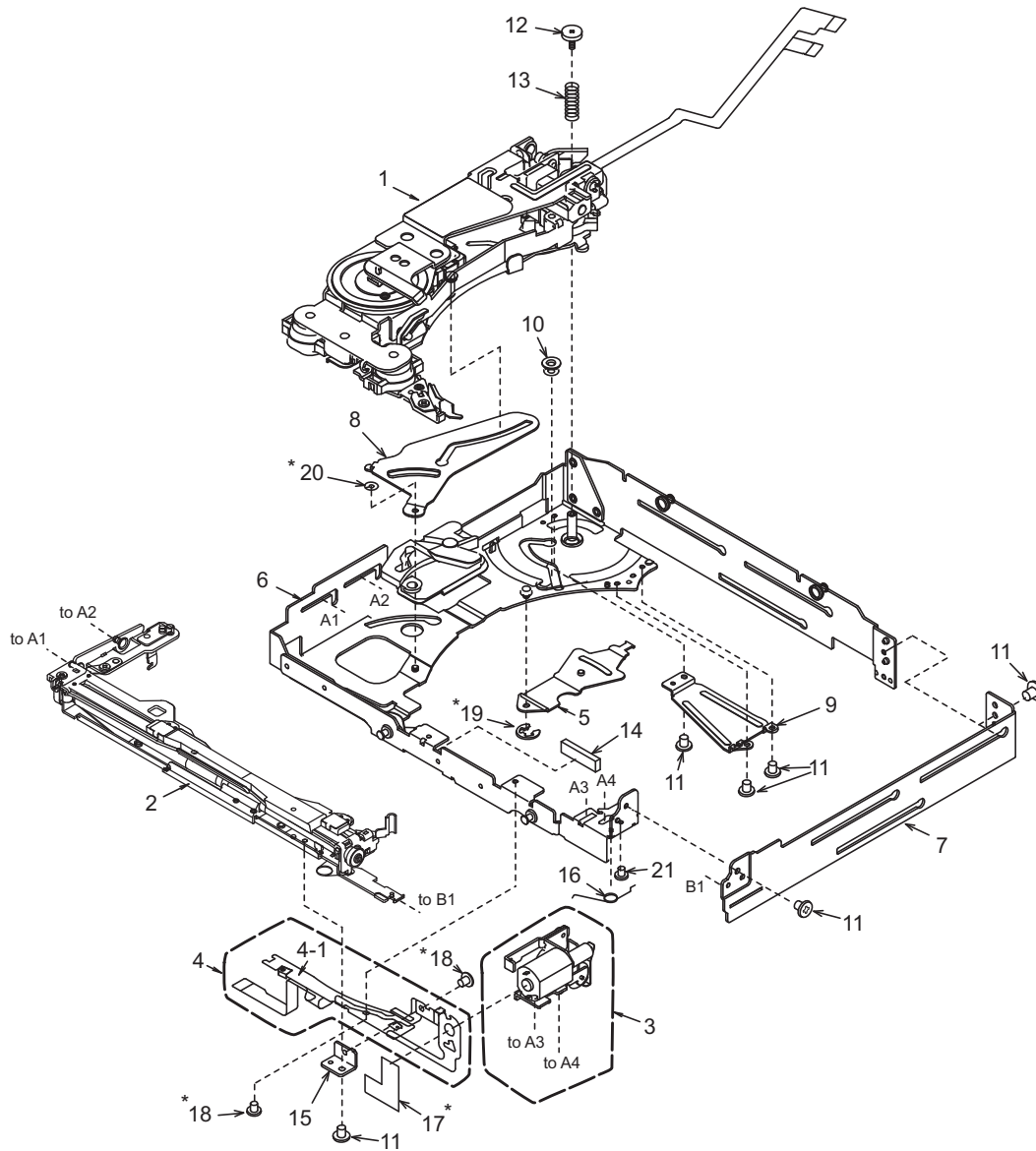
NO.	PART NO.	DESCRIPTION	Q'TY	NO.	PART NO.	DESCRIPTION	Q'TY
1	966-1756-28	LOWER UNIT ASSY	1	20	621-1636-24	SW LINK	1
2	966-0667-21	DISC STP-ASSY L	1	21	621-1765-20	UD-GEAR-D	1
3	HBS-586-100	DH-SEL-ASSY S	1	22	621-1715-20	FPC-STOPPER	1
4	HBS-587-100	DH-SEL-ASSY R	1	23	716-1850-01	SCREW(M2.0x2.0)	4
5	966-0670-22	DS-SP-ASSY L	1	24	716-1850-02	SCREW(M2.0x2.0)	1
6	966-1760-21	DS-SP-ASSY R	1	25	716-1851-02	SCREW(M2.0x3.0)	1
7	966-0672-21	REAR-P-ASSY	1	26	716-3450-00	SCREW(M1.7x2.0)	2
8	966-1753-22	S-DRIVE-CH UNIT	1	27	716-3451-01	SCREW(M1.7x2.5)	8
9	966-1764-21	UPPER UNIT ASSY	1	28	746-0761-00	WASHER	2
10	HBS-566-200	DISC HOLDER UNIT	1	29	744-0045-01	C-RING	2
11	966-1771-21	SLIDE-P-ASSY F	1	30	347-7271-00	FPC SHEET	1
12	966-0709-21	SLIDE-P-ASSY R	1	31	347-7275-00	PROTECT SHEET	1
13	HBS-564-200	CD-PWB-ASSY	1	32	347-7276-00	FPC-SHEET C	1
14	620-1640-20	SW-H-PLATE	1	33	800-4921-60	VINYL-COAT-WIRE	1
15	620-1778-20	GAP PLATE F	1	34	802-4921-60	VINYL-COAT-WIRE	1
16	620-1662-21	GAP PLATE R	1	35	345-5824-00	RUBBER PART	1
17	620-1685-21	DS-PLATE L	1	36	621-1763-20	LOADING GUIDE B	1
18	620-1686-20	DS-PLATE R	1	37	716-1859-01	IT SCREW(M1.7 x 2)	1
19	621-1760-21	DISC STOPPER R	1				

Lower unit assy section : 966-1756-28



NO.	PART NO.	DESCRIPTION	Q'TY	NO.	PART NO.	DESCRIPTION	Q'TY
1	966-1757-25	LOWER-C-ASSY	1	11	620-1771-22	CAM GEAR	1
2	966-0658-22	DH-SP-ASSY A	1	12	620-1624-24	GEAR COVER	1
3	966-1758-20	DS-SP-ASSY A	1	13	621-0732-21	M-GEAR B	1
4	966-0660-22	DH-SP-ASSY S	1	14	621-0733-20	M-GEAR C	1
5	966-0661-22	DH-SP-ASSY R	1	15	716-1850-01	SCREW(M2.0x2.0)	5
6	966-0677-23	D-SHT PL-B-ASSY	1	16	716-3451-01	SCREW(M1.7x2.5)	2
7	966-0659-21	DH-SP-ASSY B	1	17	746-0761-00	WASHER	2
8	966-1759-00	DS-SP-ASSY B	1	18	746-0768-00	WASHER	2
9	HBS-546-100	M-MTR SUB ASSY	1	19	750-6756-00	SW-L-SPRING	1
10	HBS-568-100	UD-MOTOR-ASSY	1	20	716-1851-03	SCREW(M2.0x3.0)	2

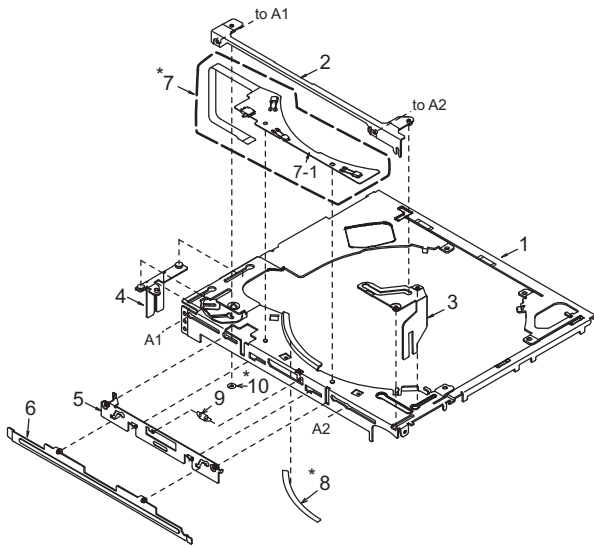
S-Drive-CH unit section : 966-1753-22



\* Do not reuse the following parts.  
(No.17,18,19,20)

NO.	PART NO.	DESCRIPTION	Q'TY	NO.	PART NO.	DESCRIPTION	Q'TY
1	HBS-565-200	N-DRIVE UNIT	1	11	716-3450-00	SCREW(M1.7x2.0)	6
2	HBS-567-200	LOADING-U-ASSY	1	12	716-3459-01	SCREW(M1.7x2.0)	1
3	HBS-556-100	LO-MOTOR-S-ASSY	1	13	750-6761-20	DRIVE SPRING A	1
4	HBS-552-200	L-SENSOR-S-ASSY	1	14	345-5868-00	RUBBER PART	1
4-1	-----	SENSOR-L-FPC	1	15	620-1651-20	S-PWB-PLATE	1
5	966-0676-20	D-SHT LK-A-ASSY	1	16	750-6754-20	LO-ES-SPRING B	1
6	966-1755-00	DRIVE-CH A ASSY	1	17	345-5424-01	SEN-FPC GUIDE	1
7	620-1681-21	DRIVE CHASSIS B	1	18	716-1859-01	SCREW(M1.7x2.0)	2
8	620-1672-21	DR-SUPPORT-PL	1	19	744-0039-00	E-RING	1
9	620-1680-20	D-SHIFT COVER	1	20	746-0870-00	WASHER	1
10	622-1743-20	D-SHIFT ROLLER B	1	21	716-3538-00	SCREW(M1.7x2.0)	1

Upper unit assy section : 966-1764-21



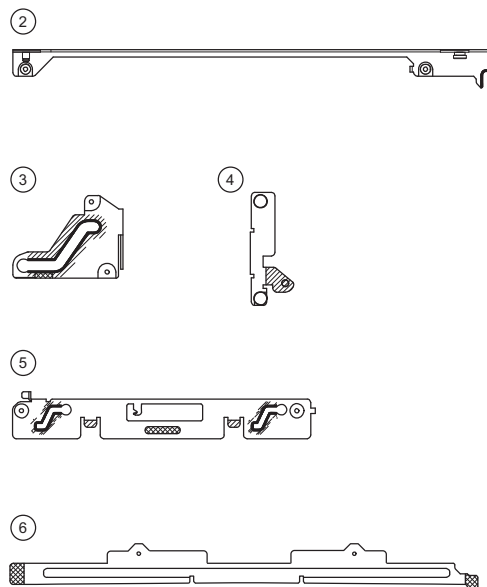
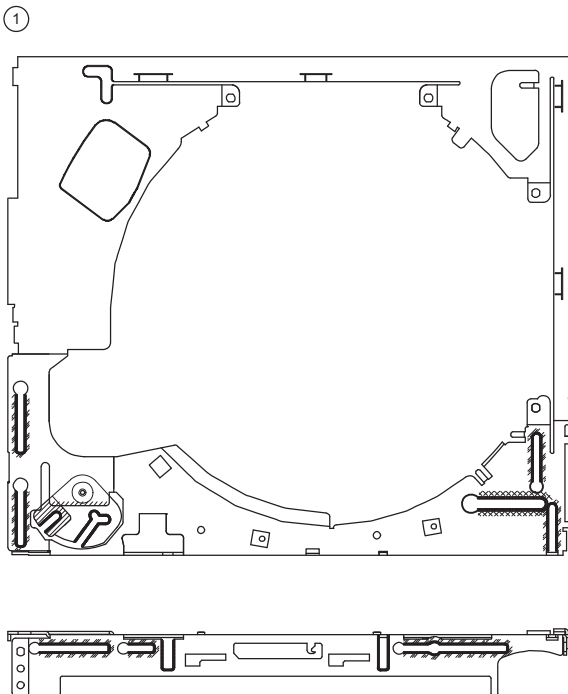
\* Do not reuse the following parts.  
(No.7,8,10)

NO.	PART NO.	DESCRIPTION	Q'TY
1	966-1761-21	UPPER-CHA-ASSY	1
2	966-1765-20	LO-SHIFT A ASSY	1
3	966-0700-22	LO-SHIFT B ASSY	1
4	966-0701-21	LO-SHIFT ASSY	1
5	966-1766-20	SHUTTER-PL-ASSY	1
6	966-1763-20	SHUTTER ASSY	1
7	HBS-553-200	U-SENSOR-S-ASSY	1
7-1	-----	SENSOR-U-FPC	1
8	347-7272-00	RATTLE SHEET	1
9	750-6755-21	SHUTTER SPRING	1
10	746-0870-00	WASHER	1

[ Grease Point ]

\* Grease: SANKOL FG-87HSR

	Put grease on the surface	
	Put grease on the reverse side	
	Put grease on the both sides	
	Put grease on the edge	



# ELECTRICAL PARTS LIST

## CD PWB(BM1) section

REF No.	PART No.	DESCRIPTION	REF No.	PART No.	DESCRIPTION	REF No.	PART No.	DESCRIPTION
C1	042-0672-00	25V 47uF TA	C74	168-1042-78	16V 0.1uF	R17	119-4731-15	1/10W 47k ohm
C2	166-1011-50	100pF CH	C75	168-2222-55	2200pF K	R18	119-2231-15	1/10W 22k ohm
C3	168-1042-78	16V 0.1uF	C81	166-1007-50	10pF CH	R19	119-2231-15	1/10W 22k ohm
C4	178-1052-78	1uF	C82	166-1007-50	10pF CH	R20	119-4721-15	1/10W 4.7k ohm
C5	042-0671-01	10V 47uF TA	C83	178-1052-78	1uF	R21	119-4731-15	1/10W 47k ohm
C6	168-1042-78	16V 0.1uF	C85	178-1052-78	1uF	R22	119-4731-15	1/10W 47k ohm
C7	168-1032-55	0.01uF K	C86	166-1201-50	12pF CH	R23	119-4731-15	1/10W 47k ohm
C8	168-1042-78	16V 0.1uF	C87	042-1702-90	6.3V 100uF	R24	050-0145-58	1/16W 2.2k ohm x4
C9	178-1052-78	1uF	C91	168-1032-55	0.01uF K	R25	119-4721-15	1/10W 4.7k ohm
C10	168-1042-78	16V 0.1uF	CCT1	050-0145-59	1/16W 22 ohm x4	R26	119-4721-15	1/10W 4.7k ohm
C11	168-1042-78	16V 0.1uF	CCT2	050-0145-54	1/16W 47k ohm x4	R27	117-7511-15	1/8W 750 ohm
C12	178-1052-78	1uF	CCT3	050-0145-54	1/16W 47k ohm x4	R28	116-3391-15	1/4W 3.3 ohm
C13	178-1052-78	1uF	CCT4	050-0145-55	1/16W 10k ohm x4	R29	032-0145-73	1/2W 6.8 ohm
C14	042-0671-01	10V 47uF TA	D1	001-4301-14	HZU 3.0B1	R30	119-1041-15	1/10W 100k ohm
C15	168-1032-55	0.01uF K	D1	001-0529-14	MA8030-L	R31	119-6811-15	1/10W 680 ohm
C20	178-1052-78	1uF	D2	001-0367-91	1SS226	R32	119-1041-15	1/10W 100k ohm
C21	168-1042-78	16V 0.1uF	D3	001-4301-16	HZU 3.3B1	R33	119-6811-15	1/10W 680 ohm
C22	178-1052-78	1uF	D3	001-0529-16	MA8033-L	R34	119-1041-15	1/10W 100k ohm
C23	168-1042-78	16V 0.1uF	D4	001-4301-18	HZU 3.6B1	R35	117-5611-15	1/8W 560 ohm
C24	042-0671-01	10V 47uF TA	D4	001-0529-18	MA8036-L	R36	119-1041-15	1/10W 100k ohm
C25	168-1042-78	16V 0.1uF	IC1	051-6399-00	TC94A15F	R37	119-1041-15	1/10W 100k ohm
C26	168-1045-56	0.1uF Z	IC2	052-5070-10	TMP91CY22IFG-6HE2	R38	119-3321-15	1/10W 3.3k ohm
C27	168-4732-78	0.047uF K	IC3	051-6711-20	TC94A34FG-004	R39	119-1051-15	1/10W 1M ohm
C28	166-4701-50	47pF CH	IC4	051-6060-08	BD7961FM-E2	R40	119-0000-05	1/10W 0 ohm JW
C29	168-4732-78	0.047uF K	IC5	051-5452-90	BD5235G-TR	R41	119-1041-15	1/10W 100k ohm
C30	166-4711-50	470pF CH	IC6	051-9318-00	GLT4160L04P-60TC	R42	119-5621-15	1/10W 5.6k ohm
C31	168-1532-55	0.015uF K	IC6	051-9318-00	MSM51V17400J-60T	R43	119-4731-15	1/10W 47k ohm
C32	166-4711-50	470pF CH	IC8	051-9402-78	BR93L56RFVM-W	R44	119-2231-15	1/10W 22k ohm
C33	168-1042-78	16V 0.1uF	IC9	051-6072-08	BD7931FE2	R45	119-8231-15	1/10W 82k ohm
C34	168-6822-55	6800pF K	IC10	051-5833-00	GP1S093HCZ	R46	119-3341-15	1/10W 330k ohm
C35	168-1032-55	0.01uF K	IC11	051-3364-90	NJU7771F15	R48	119-2231-15	1/10W 22k ohm
C38	168-3332-78	0.033uF K	IC12	051-3364-90	NJU7771F15	R49	116-1001-15	1/4W 10 ohm
C39	168-4722-55	4700pF K	J1	074-1237-69	19PIN	R50	119-1011-15	1/10W 100 ohm
C40	168-1042-78	16V 0.1uF	J2	074-1201-65	15P	R51	119-6811-15	1/10W 680 ohm
C42	168-1042-78	16V 0.1uF	J3	074-1138-56	6P	R52	117-7511-15	1/8W 750 ohm
C43	168-1532-55	0.015uF K	J4	074-1100-61	SOCKET 11P	R53	116-5611-15	1/4W 560 ohm
C44	168-1042-78	16V 0.1uF	J5	074-1201-61	11P SOCKET	R54	119-1041-15	1/10W 100k ohm
C45	168-1522-55	1500pF K	Q1	060-0252-01	PT4850F	R55	119-1041-15	1/10W 100k ohm
C46	168-1042-78	16V 0.1uF	Q2	125-0021-91	DTA114EUA	R56	119-1041-15	1/10W 100k ohm
C47	166-6811-50	680pF	Q3	198-3018-00	2SK3018	R57	119-1041-15	1/10W 100k ohm
C48	166-6801-50	68pF CH	Q6	131-1188-50	2SB1188PQR	R58	119-1041-15	1/10W 100k ohm
C49	178-1052-78	1uF	Q7	125-2027-91	DTC114EUA	R59	116-1511-15	1/4W 150 ohm
C50	042-0671-01	10V 47uF TA	Q8	131-1427-00	2SB1427	R60	119-4731-15	1/10W 47k ohm
C51	042-0671-01	10V 47uF TA	Q9	131-1188-50	2SB1188PQR	R61	119-4731-15	1/10W 47k ohm
C52	178-1052-78	1uF	Q10	125-2027-91	DTC114EUA	R62	119-1051-15	1/10W 1M ohm
C53	168-1042-78	16V 0.1uF	Q11	125-0021-91	DTA114EUA	R64	032-0140-62	1/10W 1.0k ohm F
C54	178-1052-78	1uF	Q12	125-2027-91	DTC114EUA	R65	119-2211-15	1/10W 220 ohm
C55	178-1052-78	1uF	Q20	131-1427-00	2SB1427	R66	032-0140-53	1/10W 2.2k ohm F
C56	042-0671-01	10V 47uF TA	R1	119-4731-15	1/10W 47k ohm	R71	119-1011-15	1/10W 100 ohm
C57	168-1042-78	16V 0.1uF	R2	119-2211-15	1/10W 220 ohm	R72	119-1011-15	1/10W 100 ohm
C59	168-1042-78	16V 0.1uF	R3	119-2211-15	1/10W 220 ohm	R73	119-1011-15	1/10W 100 ohm
C60	178-1052-78	1uF	R4	119-1041-15	1/10W 100k ohm	R77	119-0000-05	1/10W 0 ohm JW
C61	168-1032-55	0.01uF K	R5	119-4731-15	1/10W 47k ohm	R82	119-1011-15	1/10W 100 ohm
C62	168-1042-78	16V 0.1uF	R6	119-2211-15	1/10W 220 ohm	R83	119-1031-15	1/10W 10k ohm
C63	168-1042-78	16V 0.1uF	R7	119-2211-15	1/10W 220 ohm	R85	119-1021-15	1/10W 1k ohm
C64	168-1042-78	16V 0.1uF	R8	119-2211-15	1/10W 220 ohm	R86	119-2231-15	1/10W 22k ohm
C65	168-1042-78	16V 0.1uF	R10	032-0140-16	1/10W 180k ohm F	S1	013-7416-50	SW SPVL110200
C66	168-1042-78	16V 0.1uF	R11	032-0140-96	1/10W 120k ohm F	S2	013-7416-50	SW SPVL110200
C67	168-1042-78	16V 0.1uF	R12	119-2231-15	1/10W 22k ohm	S3	013-7416-50	SW SPVL110200
C68	168-1042-78	16V 0.1uF	R13	119-4711-15	1/10W 470 ohm	S4	013-7415-50	SPVG110400
C70	168-1042-78	16V 0.1uF	R14	119-2221-15	1/10W 2.2k ohm	X1	061-3534-90	16.92MHz
C71	168-1042-78	16V 0.1uF	R15	119-1031-15	1/10W 10k ohm	X3	060-1545-90	20MHz
C72	168-1042-78	16V 0.1uF	R16	119-0000-05	1/10W 0 ohm JW	PWB	039-2747-21	PWB(WITHOUT COMPONENTS)
C73	178-1052-78	1uF						

### Sensor-L-PFC(B2)

REF No.	PART No.	DESCRIPTION	REF No.	PART No.	DESCRIPTION	REF No.	PART No.	DESCRIPTION
PT1	060-0252-01	PT14850F	PT3	051-5833-00	GP1S093HCZ	PWB	039-2467-21	PWB(WITHOUT COMPONENTS)
PT2	060-0252-01	PT14850F						

### Sensor-U-PFC(B3)

REF No.	PART No.	DESCRIPTION	REF No.	PART No.	DESCRIPTION	REF No.	PART No.	DESCRIPTION
LED1	001-7077-00	GL4804	LED3	001-7077-00	GL4804	PWB	039-2466-20	PWB(WITHOUT COMPONENTS)
LED2	001-7077-00	GL4804	S5	013-7417-50	ABC1122P161			