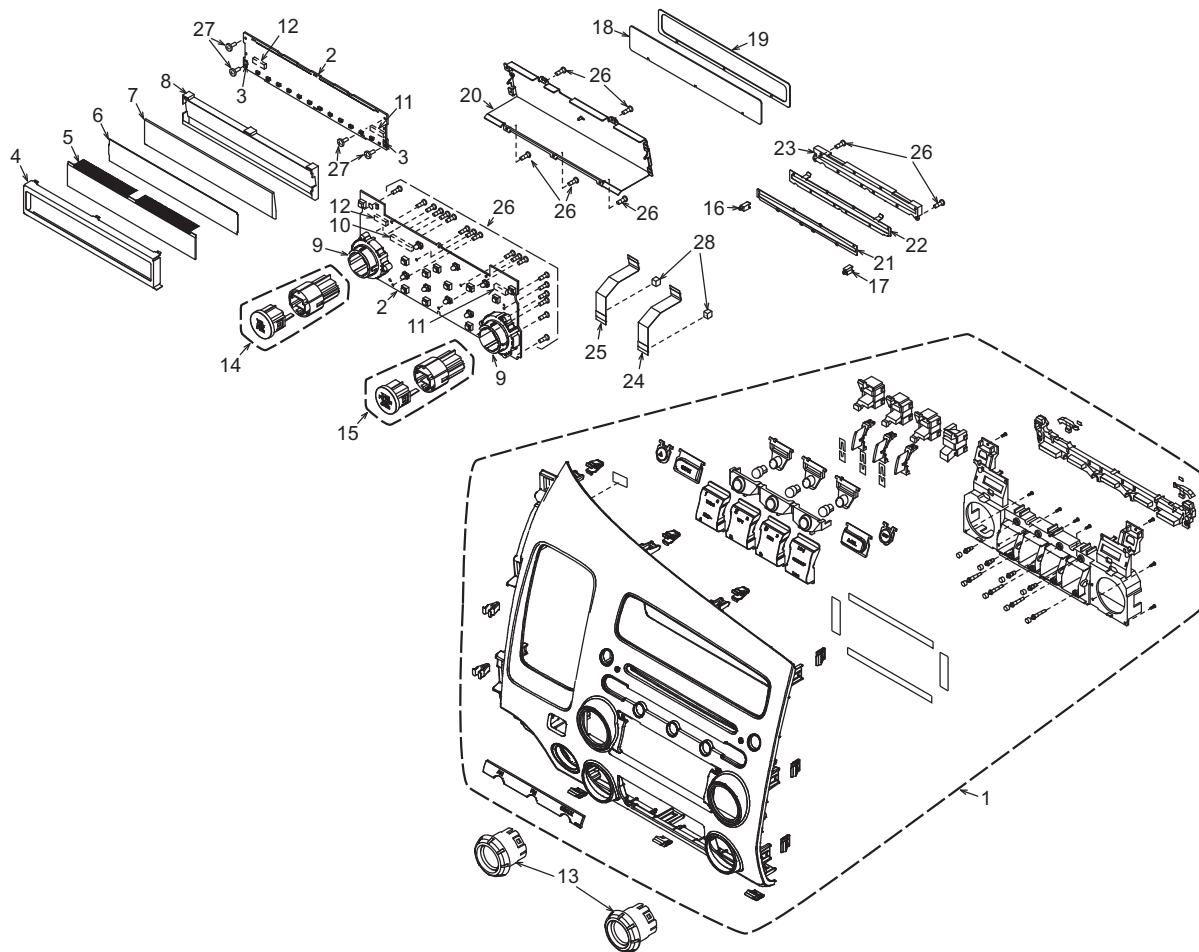


EXPLODED VIEW / PARTS LIST

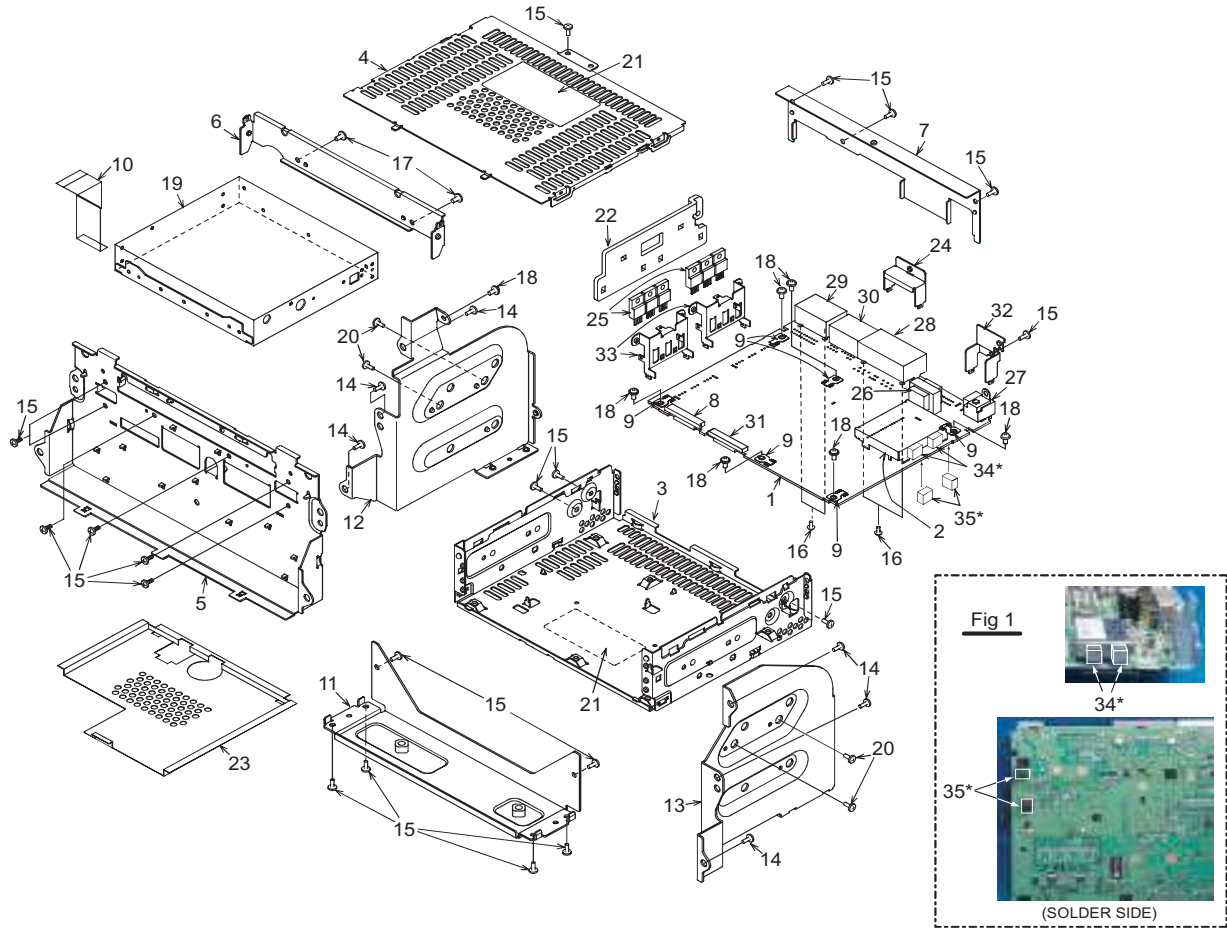
Escutcheon section



※ Some parts depend on each model. The model name is specified in the description.
 C-A : PH-3128C-A . C-C : PH-3128C-C . C-D : PH-3128C-D

NO.	PART NO.	DESCRIPTION	Q'TY	NO.	PART NO.	DESCRIPTION	Q'TY
1	940-8232-12	ESCUTCHEON-ASSY (C-A)	1	14	382-7545-80	BUTTON-ASSY-L	1
	940-8232-22	ESCUTCHEON-ASSY (C-C)		15	382-7546-80	BUTTON-ASSY-R	1
	940-8152-42	ESCUTCHEON-ASSY (C-D)		16	335-7596-00	INDICATOR-L	1
2	-----	Switch PWB	1	17	335-7597-00	INDICATOR-R	1
3	073-0786-90	TERMINAL	2	18	373-1078-00	DIAL-CVR	1
4	331-4067-01	LCD COVER	1	19	345-5588-00	CUSSION SHEET	1
5	379-1425-43	LCD (INDICATOR) (C-A)	1	20	331-4063-01	LCD PLATE	1
	379-1397-42	LCD (INDICATOR) (C-C) (C-D)		21	346-0179-00	LEATHER SHEET	1
6	335-7636-10	COLOR FILTER (C-C) (C-D)	1	22	331-4146-00	SHIELD PLATE	1
	335-7636-20	COLOR FILTER (C-A)		23	335-7598-00	DISC GUIDE	1
7	335-7601-00	LCD ILLUMI	1	24	816-4014-51	FLAT WIRE(14P)	1
8	335-7602-00	ILLUMI HOLDER	1	25	816-4013-51	FLAT WIRE(12P)	1
9	016-7003-00	ROTARY ENODER	2	26	716-0778-51	SCREW (M2x6)	25
10	074-3014-74	OUTLET SOCKET (24P)	1	27	716-1670-01	SCREW (M2x4)	4
11	074-1158-64	OUTLET SOCKET (14P)	2	28	345-8581-03	GASKET	2
12	074-1158-62	OUTLET SOCKET (12P)	2				
13	380-5645-00	KNOB	2				

Main section



※ Some parts depend on each model. The model name is specified in the description.
C-A : PH-3128C-A . C-C : PH-3128C-C . C-D : PH-3128C-D

NO.	PART NO.	DESCRIPTION	Q'TY	NO.	PART NO.	DESCRIPTION	Q'TY
1	-----	Main PWB	1	20	714-5008-8B	MACHINE SCREW(M5.0x8)	4
2	880-2091G	TUNER PACK	1	21	286-6685-70	SETPLATE (C-A) (39100-SVA-A21)	1
3	311-1910-00	LOWER CASE	1	286-6685-71	SETPLATE (C-C) (39100-SVB-A21)		
4	310-1817-02	UPPER CASE	1	286-6685-84	SETPLATE (C-D) (39100-SNA-K52)		
5	331-4068-00	ES-PLATE	1	22	313-1948-00	SUB HEAT SINK	1
6	331-4069-00	MECH-BRKT	1	23	347-7805-00	MECH CVR	1
7	307-0716-00	REAR COVER	1	24	331-3769-00	OUTLET HOLDER	1
8	076-3011-74	PLUG(SW)	1	25	103-2394-00	TRANSISTOR	6
9	073-0762-90	TERMINAL	6	26	009-0670-80	CHOKE	1
10	816-4028-50	FLAT WIRE	1	27	092-2209-00	ANT-RECEPT	1
11	300-8066-00	MTG-BRKT(LOW)	1	28	074-4016-17	OUTLET SOCKET (17P)	1
12	300-8064-00	MTG-BRKT(L)	1	29	074-4017-20	OUTLET SOCKET (20P)	1
13	300-8065-00	MTG-BRKT(R)	1	30	074-1168-14	OUTLET SOCKET (GA-NET)	1
14	716-3559-00	SCREW(M4.7x12)	6	31	074-1237-79	OUTLET SOCKET (MECH)	1
15	714-2606-8B	MACHINE SCREW(M2.6x6)	20	32	331-4065-00	ANT HOLDER	1
16	778-3005-00	TAP SCREW(M3x5)	4	33	331-4066-00	TR HOLDER	2
17	714-2603-8B	MACHINE SCREW(M2.6x3)	2	34	345-8581-03	GASKET	2
18	716-0878-50	SCREW(M2.6x5)	7	35	345-8720-00	GASKET	2
19	929-5019-81	CD-MECH-MODULE	1				

ELECTRICAL PARTS LIST

Main PWB section(B1)

REF No.	PART No.	DESCRIPTION	REF No.	PART No.	DESCRIPTION	REF No.	PART No.	DESCRIPTION
ANT101	092-2209-00	ANTENNA RECEPT	C418	166-1511-50	150pF CH	C502	163-2263-15	6.3V 22uF
BL101	880-2091G	TUNER PACK	C419	163-4753-55	35V 4.7uF	C503	168-1042-78	16V 0.1uF
C101	166-1511-50	150pF CH	C420	168-1042-78	16V 0.1uF	C504	178-1042-78	0.1uF
C102	166-2201-50	22pF CH	C421	163-4753-55	35V 4.7uF	C547	043-0499-51	0.1uF
C103	168-1022-55	1000pF K	C422	168-1042-78	16V 0.1uF	C548	189-3383-31	16V 3300uF
C104	163-1073-35	16V 100uF	C423	168-1022-55	1000pF K	C549	178-2222-78	2200pF
C105	168-1022-55	1000pF K	C424	168-1022-55	1000pF K	C550	178-2222-78	2200pF
C106	163-1073-35	16V 100uF	C425	166-1011-50	100pF CH	C551	178-2222-78	2200pF
C107	168-1022-55	1000pF K	C426	168-1042-78	16V 0.1uF	C552	178-2222-78	2200pF
C108	168-1022-55	1000pF K	C427	168-1042-78	16V 0.1uF	C557	178-2222-78	2200pF
C109	168-1022-55	1000pF K	C428	168-1042-78	16V 0.1uF	C558	178-2222-78	2200pF
C110	168-1022-55	1000pF K	C429	168-5622-55	5600pF K	C559	178-2222-78	2200pF
C111	168-1022-55	1000pF K	C430	168-5622-55	5600pF K	C560	178-2222-78	2200pF
C112	163-1063-35	16V 10uF	C431	163-4753-55	35V 4.7uF	C563	178-1042-78	0.1uF
C113	163-4763-35	16V 47uF	C432	168-1042-78	16V 0.1uF	C564	163-1073-35	16V 100uF
C115	166-2211-50	220pF CH	C433	168-1042-78	16V 0.1uF	C596	166-5611-50	560pF CH
C201	166-1007-50	10pF CH	C434	168-2232-55	0.022uF K	C597	166-5611-50	560pF CH
C202	166-1007-50	10pF CH	C435	163-1073-15	6.3V 100uF	C598	166-5611-50	560pF CH
C203	168-1042-78	16V 0.1uF	C436	168-1042-78	16V 0.1uF	C599	166-5611-50	560pF CH
C204	168-1042-78	16V 0.1uF	C437	043-0504-50	10V 4.7uF	C602	163-1063-35	16V 10uF
C205	168-1042-78	16V 0.1uF	C438	168-4732-78	0.047uF K	C603	163-1063-35	16V 10uF
C206	168-1042-78	16V 0.1uF	C439	163-2263-15	6.3V 22uF	C604	163-1063-35	16V 10uF
C207	168-1042-78	16V 0.1uF	C440	168-1042-78	16V 0.1uF	C605	163-1063-35	16V 10uF
C208	168-1042-78	16V 0.1uF	C441	168-1042-78	16V 0.1uF	C607	163-1063-35	16V 10uF
C209	168-1042-78	16V 0.1uF	C442	168-1022-55	1000pF K	C608	163-1063-35	16V 10uF
C210	168-1042-78	16V 0.1uF	C443	168-2232-55	0.022uF K	C609	163-1063-35	16V 10uF
C211	168-1042-78	16V 0.1uF	C444	163-1063-35	16V 10uF	C610	163-1063-35	16V 10uF
C212	043-0554-90	25V 10uF	C445	178-1052-78	1uF	C611	166-1011-50	100pF CH
C213	168-1042-78	16V 0.1uF	C446	168-1042-78	16V 0.1uF	C612	166-1011-50	100pF CH
C214	168-1042-78	16V 0.1uF	C447	168-3332-78	0.033uF K	C613	166-1011-50	100pF CH
C215	163-1073-15	6.3V 100uF	C448	178-1052-78	1uF	C614	166-1011-50	100pF CH
C216	168-1042-78	16V 0.1uF	C449	168-2222-55	2200pF K	C615	163-2253-65	50V 2.2uF
C217	119-3331-15	1/10W 33k ohm	C450	168-2222-55	2200pF K	C616	163-2253-65	50V 2.2uF
C218	168-1042-78	16V 0.1uF	C451	168-2222-55	2200pF K	C617	163-2253-65	50V 2.2uF
C219	168-1042-78	16V 0.1uF	C452	168-2222-55	2200pF K	C618	163-2253-65	50V 2.2uF
C220	163-4763-35	16V 47uF	C453	168-2232-55	0.022uF K	C619	166-1011-50	100pF CH
C221	163-4763-15	6.3V 47uF	C454	168-4712-55	470pF K	C620	166-1011-50	100pF CH
C222	163-4763-15	6.3V 47uF	C458	168-1042-78	16V 0.1uF	C621	166-1011-50	100pF CH
C223	163-1063-35	16V 10uF	C459	168-1042-78	16V 0.1uF	C622	166-1011-50	100pF CH
C224	168-1042-78	16V 0.1uF	C460	168-2232-55	0.022uF K	C623	163-2253-65	50V 2.2uF
C225	168-1042-78	16V 0.1uF	C461	163-2263-15	6.3V 22uF	C624	163-2253-65	50V 2.2uF
C226	043-0554-90	25V 10uF	C462	168-1042-78	16V 0.1uF	C625	163-2253-65	50V 2.2uF
C227	043-0554-90	25V 10uF	C463	163-3373-15	6.3V 330uF	C626	163-2253-65	50V 2.2uF
C228	163-1073-15	6.3V 100uF	C464	168-1042-78	16V 0.1uF	C701	178-1052-78	1uF
C231	168-1042-78	16V 0.1uF	C465	163-2273-25	10V 220uF	C702	168-1032-55	0.01uF K
C232	168-1042-78	16V 0.1uF	C466	168-1042-78	16V 0.1uF	C703	168-1022-55	1000pF K
C301	178-1022-78	1000pF	C472	163-2263-15	6.3V 22uF	C704	168-1042-78	16V 0.1uF
C302	178-1022-78	1000pF	C473	163-2263-15	6.3V 22uF	C705	163-4753-55	35V 4.7uF
C303	168-1032-55	0.01uF K	C474	163-2263-15	6.3V 22uF	C706	168-1022-55	1000pF K
C381	166-1511-50	150pF CH	C475	163-2263-15	6.3V 22uF	C707	168-1022-55	1000pF K
C382	166-1511-50	150pF CH	C477	166-5611-50	560pF CH	C708	168-1042-78	16V 0.1uF
C383	166-1511-50	150pF CH	C478	166-5611-50	560pF CH	C709	042-0643-52	6.3V 1000uF
C384	166-1511-50	150pF CH	C479	166-5611-50	560pF CH	C710	163-4753-55	35V 4.7uF
C400	168-1022-55	1000pF K	C480	166-5611-50	560pF CH	C711	166-1801-50	18pF CH
C401	163-2253-65	50V 2.2uF	C481	166-2201-50	22pF CH	C712	166-1801-50	18pF CH
C402	163-2253-65	50V 2.2uF	C482	166-2201-50	22pF CH	C713	163-1063-35	16V 10uF
C403	163-2253-65	50V 2.2uF	C483	166-2201-50	22pF CH	C715	043-0499-51	0.1uF
C404	163-2253-65	50V 2.2uF	C484	166-2201-50	22pF CH	C716	178-1052-78	1uF
C405	163-2253-65	50V 2.2uF	C485	166-5611-50	560pF CH	C718	163-1063-35	16V 10uF
C406	163-2253-65	50V 2.2uF	C486	166-5611-50	560pF CH	C719	168-1032-55	0.01uF K
C407	163-4753-55	35V 4.7uF	C487	166-5611-50	560pF CH	C720	168-1032-55	0.01uF K
C408	168-1042-78	16V 0.1uF	C488	166-5611-50	560pF CH	C721	168-1042-78	16V 0.1uF
C409	166-1811-50	180pF CH	C491	168-1042-78	16V 0.1uF	C722	168-1042-78	16V 0.1uF
C410	163-2253-65	50V 2.2uF	C493	043-0554-90	25V 10uF	C723	178-2242-78	0.22uF
C411	163-2253-65	50V 2.2uF	C494	043-0554-90	25V 10uF	C724	163-2243-65	50V 0.22uF
C412	166-1007-50	10pF CH	C495	168-1042-78	16V 0.1uF	C725	042-0643-52	6.3V 1000uF
C413	166-1007-50	10pF CH	C496	163-1073-15	6.3V 100uF	C726	043-0554-90	25V 10uF
C414	168-1022-55	1000pF K	C497	163-4763-15	6.3V 47uF	C727	168-1042-78	16V 0.1uF
C415	166-1511-50	150pF CH	C498	168-3322-55	3300pF K	C728	168-1042-78	16V 0.1uF
C416	166-1511-50	150pF CH	C499	168-3322-55	3300pF K	C729	042-1678-00	16V 470uF
C417	166-1511-50	150pF CH	C500	168-1042-78	16V 0.1uF	C735	043-0499-51	0.1uF

Note) Several different parts of the same reference number are alternative parts.

One of those parts is used in the set.

* Some parts depend on each model. The model name is specified in the description.

C-A : PH-3128C-A , C-C : PH-3128C-C , C-D : PH-3128C-D

REF No.	PART No.	DESCRIPTION	REF No.	PART No.	DESCRIPTION	REF No.	PART No.	DESCRIPTION
C736	166-4096-50	4pF CH	IC404	051-3354-90	BA33BC0WFP	Q522	125-0021-91	DTA114EUA
C803	168-1042-78	16V 0.1uF	IC506	051-3057-90	BA4558RFV	Q701	192-4081-00	2SC4081
C901	168-1032-55	0.01uF K	IC601	051-3015-90	NJM4580M	Q702	192-4081-00	2SC4081
C902	163-2263-35	16V 22uF	IC602	051-3015-90	NJM4580M	Q711	125-2027-91	DTC114EUA
C903	168-1042-78	16V 0.1uF	IC603	051-3015-90	NJM4580M	Q712	125-0021-91	DTA114EUA
C904	163-2263-35	16V 22uF	IC604	051-3015-90	NJM4580M	Q803	125-2027-91	DTC114EUA
C905	166-1011-50	100pF CH	IC701	051-5423-38	BD6329G-TR	Q901	103-2394-00	2SD2394
C906	168-1032-55	0.01uF K	IC702	051-9423-90	BR93L86REV-W E2	Q902	192-4081-00	2SC4081
C907	168-1022-55	1000pF K	IC703	052-3217-50	UPD703273YGC-C04-8EA-A (C-A) (C-C)	Q904	103-2394-00	2SD2394
C909	163-2263-35	16V 22uF				Q905	192-4081-00	2SC4081
C910	168-1032-55	0.01uF K				Q906	125-2027-91	DTC114EUA
C911	168-3332-78	0.033uF K	IC703	052-3197-22	UPD703272YGC-360-8EA-A (C-D)	Q907	125-0021-92	DTA124EUA
C912	163-1073-15	6.3V 100uF				Q908	192-4081-00	2SC4081
C913	168-1042-78	16V 0.1uF				Q909	192-4081-00	2SC4081
C914	168-1022-55	1000pF K	IC704	051-5811-90	L9637D	Q912	103-2394-00	2SD2394
D101	001-2403-90	M1F60	IC705	051-3408-90	BA2903FV	Q913	103-2394-00	2SD2394
D102	001-2403-90	M1F60	IC706	051-3344-90	BD3930FP-E2	Q914	103-2394-00	2SD2394
D103	001-0516-90	MA111	IC902	051-3218-90	TA76431F	Q915	125-2027-91	DTC114EUA
D103	001-0517-90	1SS355	J101	074-4016-17	17P	Q916	125-0021-91	DTA114EUA
D104	001-0516-90	MA111	J201	074-1237-79	29P	Q921	125-2027-91	DTC114EUA
D104	001-0517-90	1SS355	J301	074-1168-14	14P	Q922	125-0021-91	DTA114EUA
D105	001-0529-28	MA8051-L	J302	074-4017-20	20P	R101	116-1521-15	1/4W 1.5k ohm
D106	001-0529-47	MA8091-M	L101	010-2003-04	30uH	R102	119-4731-15	1/10W 47k ohm
D201	001-0529-45	MA8082-H	L102	010-3104-50	30 ohm/100MHz	R105	119-1041-15	1/10W 100k ohm
D201	001-0504-42	HZS7 C3L	L103	010-4011-10	2.5mH +4/-4%	R106	119-1521-15	1/10W 1.5k ohm
D301	001-0529-69	MA8180-M	L201	010-3104-50	30 ohm/100MHz	R107	116-5691-15	1/4W 5.6 ohm
D302	001-0529-32	MA8056-M	L202	010-3104-50	30 ohm/100MHz	R108	119-1031-15	1/10W 10k ohm
D303	001-0529-32	MA8056-M	L203	010-3104-50	30 ohm/100MHz	R109	119-1011-15	1/10W 100 ohm
D501	001-0516-90	MA111	L401	010-3105-62	1k ohm/100MHz	R110	119-6821-15	1/10W 6.8k ohm
D501	001-0517-90	1SS355	L402	010-3105-62	1k ohm/100MHz	R111	119-6821-15	1/10W 6.8k ohm
D502	001-0592-00	RM4Z	L403	010-3105-62	1k ohm/100MHz	R112	119-1011-15	1/10W 100 ohm
D503	001-2403-90	M1F60	L404	010-3105-62	1k ohm/100MHz	R113	119-1011-15	1/10W 100 ohm
D504	001-2403-90	M1F60	L405	010-3105-62	1k ohm/100MHz	R114	117-2721-15	1/8W 2.7k ohm
D505	001-2403-90	M1F60	L406	010-3105-62	1k ohm/100MHz	R115	119-1011-15	1/10W 100 ohm
D701	001-0504-42	HZS7 C3L	L407	010-3105-62	1k ohm/100MHz	R116	119-1031-15	1/10W 10k ohm
D702	001-0529-43	MA8082-L	L408	010-3105-62	1k ohm/100MHz	R117	119-1011-15	1/10W 100 ohm
D708	001-2403-90	M1F60	L409	010-3105-62	1k ohm/100MHz	R118	116-2291-15	1/4W 2.2 ohm
D711	001-0516-90	MA111	L410	010-3105-62	1k ohm/100MHz	R119	116-2291-15	1/4W 2.2 ohm
D711	001-0517-90	1SS355	L411	010-3105-62	1k ohm/100MHz	R120	116-6811-15	1/4W 680 ohm
D712	001-0516-90	MA111	L412	010-3105-62	1k ohm/100MHz	R121	119-1011-15	1/10W 100 ohm
D712	001-0517-90	1SS355	L413	010-3105-62	1k ohm/100MHz	R122	119-1011-15	1/10W 100 ohm
D713	001-0516-90	MA111	L414	010-3105-62	1k ohm/100MHz	R201	119-1521-15	1/10W 1.5k ohm
D713	001-0517-90	1SS355	L415	010-2198-51	0.22uH	R202	119-2251-15	1/10W 2.2M ohm
D714	001-0516-90	MA111	L416	010-3105-62	1k ohm/100MHz	R203	119-2211-15	1/10W 220 ohm
D714	001-0517-90	1SS355	L701	010-3406-66	22uH J	R204	119-1031-15	1/10W 10k ohm
D718	001-0516-90	MA111	L702	010-3406-66	22uH J	R205	119-1031-15	1/10W 10k ohm
D718	001-0517-90	1SS355	L703	010-3406-66	22uH J	R209	119-1031-15	1/10W 10k ohm
D719	001-0516-90	MA111	L704	010-3406-66	22uH J	R210	119-3331-15	1/10W 33k ohm
D719	001-0517-90	1SS355	L705	010-3105-62	1k ohm/100MHz	R211	119-3321-15	1/10W 3.3k ohm
D804	001-0535-90	MA729	L706	010-2285-51	120 ohm/100MHz	R212	119-3331-15	1/10W 33k ohm
D804	001-2624-90	RB501V-40	P701	076-3011-74	24P	R213	119-3321-15	1/10W 3.3k ohm
D805	001-0516-90	MA111	Q101	125-2027-91	DTC114EUA	R214	119-1031-15	1/10W 10k ohm
D805	001-0517-90	1SS355	Q102	190-1736-00	2SA1736	R215	116-6811-15	1/4W 680 ohm
D806	001-0516-90	MA111	Q103	125-2027-91	DTC114EUA	R301	116-1211-15	1/4W 120 ohm
D806	001-0517-90	1SS355	Q104	191-1197-50	2SB1197K Q,R	R302	116-6801-15	1/4W 68 ohm
D901	001-0529-44	MA8082-M	Q105	125-2027-90	DTC143EU	R303	116-1011-15	1/4W 100 ohm
D902	001-0529-47	MA8091-M	Q106	190-1736-00	2SA1736	R304	116-1011-15	1/4W 100 ohm
D903	001-2403-90	M1F60	Q107	193-1664-00	2SD1664	R305	119-1031-15	1/10W 10k ohm
D904	001-2403-90	M1F60	Q108	193-1664-00	2SD1664	R306	119-3321-15	1/10W 3.3k ohm
IC201	051-6711-20	TC94A34FG-004	Q109	125-0021-91	DTA114EUA	R307	119-4721-15	1/10W 4.7k ohm
IC202	051-3354-90	BA33BC0WFP	Q110	125-2027-91	DTC114EUA	R308	119-4721-15	1/10W 4.7k ohm
IC203	051-3322-90	BA15BC0WFP	Q203	103-2394-00	2SD2394	R311	119-3321-15	1/10W 3.3k ohm
IC204	051-3322-90	BA15BC0WFP	Q204	125-2027-91	DTC114EUA	R401	119-3331-15	1/10W 33k ohm
IC205	051-9318-00	MSM51V17400D-60TS-K	Q205	125-0021-91	DTA114EUA	R402	119-3331-15	1/10W 33k ohm
			Q301	193-1664-00	2SD1664	R403	119-3331-15	1/10W 33k ohm
IC205	051-9318-10	GLT4160L04P-60TC	Q403	125-7005-90	PHK04P02T	R404	119-3331-15	1/10W 33k ohm
IC301	051-6648-90	HA12240FP-EL	Q516	125-2027-91	DTC114EUA	R405	119-3331-15	1/10W 33k ohm
IC401	-----	SAF7730HV/N217F	Q517	190-1736-00	2SA1736	R406	119-3331-15	1/10W 33k ohm
IC403	051-3019-90	NJM2060V	Q521	125-2027-91	DTC114EUA	R407	119-3331-15	1/10W 33k ohm

* Some parts depend on each model. The model name is specified in the description.
 C-A : PH-3128C-A , C-C : PH-3128C-C , C-D : PH-3128C-D

REF No.	PART No.	DESCRIPTION	REF No.	PART No.	DESCRIPTION	REF No.	PART No.	DESCRIPTION
R408	119-3331-15	1/10W 33k ohm	R624	119-2231-15	1/10W 22k ohm	R742	119-1011-15	1/10W 100 ohm
R412	119-1031-15	1/10W 10k ohm	R625	119-2231-15	1/10W 22k ohm	R743	119-1031-15	1/10W 10k ohm
R413	119-1021-15	1/10W 1k ohm	R626	119-2231-15	1/10W 22k ohm	R744	119-3331-15	1/10W 33k ohm
R415	119-1031-15	1/10W 10k ohm	R627	117-1011-15	1/8W 100 ohm	R746	119-1021-15	1/10W 1k ohm
R416	119-1031-15	1/10W 10k ohm	R628	117-1011-15	1/8W 100 ohm	R747	119-1021-15	1/10W 1k ohm
R421	119-1001-15	1/10W 10 ohm	R629	117-1011-15	1/8W 100 ohm	R748	119-1021-15	1/10W 1k ohm
R425	119-3331-15	1/10W 33k ohm	R630	117-1011-15	1/8W 100 ohm	R749	119-1021-15	1/10W 1k ohm
R426	119-3331-15	1/10W 33k ohm	R631	117-1041-15	1/8W 100k ohm	R750	119-4721-15	1/10W 4.7k ohm
R427	119-3331-15	1/10W 33k ohm	R632	117-1041-15	1/8W 100k ohm	R751	119-4721-15	1/10W 4.7k ohm
R429	119-3331-15	1/10W 33k ohm	R633	117-1041-15	1/8W 100k ohm	R752	119-4721-15	1/10W 4.7k ohm
R439	119-1031-15	1/10W 10k ohm	R634	117-1041-15	1/8W 100k ohm	R753	119-4721-15	1/10W 4.7k ohm
R440	119-1031-15	1/10W 10k ohm	R635	119-4731-15	1/10W 47k ohm	R754	119-1041-15	1/10W 100k ohm
R441	119-1011-15	1/10W 100 ohm	R636	119-1031-15	1/10W 10k ohm	R755	119-4721-15	1/10W 4.7k ohm
R442	119-1011-15	1/10W 100 ohm	R637	119-4731-15	1/10W 47k ohm	R757	119-4731-15	1/10W 47k ohm
R444	119-1011-15	1/10W 100 ohm	R638	119-4731-15	1/10W 47k ohm	R758	119-4731-15	1/10W 47k ohm
R445	119-1011-15	1/10W 100 ohm	R639	119-1031-15	1/10W 10k ohm	R759	119-4731-15	1/10W 47k ohm
R446	119-1011-15	1/10W 100 ohm	R640	119-4731-15	1/10W 47k ohm	R760	119-4731-15	1/10W 47k ohm
R448	119-1031-15	1/10W 10k ohm	R641	119-1031-15	1/10W 10k ohm	R761	119-3331-15	1/10W 33k ohm
R449	119-1031-15	1/10W 10k ohm	R642	119-1031-15	1/10W 10k ohm	R762	119-1031-15	1/10W 10k ohm
R451	119-3321-15	1/10W 3.3k ohm	R643	119-2231-15	1/10W 22k ohm	R763	119-1031-15	1/10W 10k ohm
R454	119-1011-15	1/10W 100 ohm	R644	119-2231-15	1/10W 22k ohm	R764	119-3331-15	1/10W 33k ohm
R455	119-1001-15	1/10W 10 ohm	R645	119-2231-15	1/10W 22k ohm	R765	119-3321-15	1/10W 3.3k ohm
R458	119-1021-15	1/10W 1k ohm	R646	119-2231-15	1/10W 22k ohm	R766	119-1041-15	1/10W 100k ohm
R459	119-1021-15	1/10W 1k ohm	R647	117-1011-15	1/8W 100 ohm	R769	119-1041-15	1/10W 100k ohm
R460	119-1021-15	1/10W 1k ohm	R648	117-1011-15	1/8W 100 ohm	R772	119-1031-15	1/10W 10k ohm
R461	119-1021-15	1/10W 1k ohm	R649	117-1011-15	1/8W 100 ohm	R775	119-1031-15	1/10W 10k ohm
R462	119-6821-15	1/10W 6.8k ohm	R650	117-1011-15	1/8W 100 ohm	R776	119-3331-15	1/10W 33k ohm
R463	119-6821-15	1/10W 6.8k ohm	R651	117-1041-15	1/8W 100k ohm	R777	119-3321-15	1/10W 3.3k ohm
R464	119-6821-15	1/10W 6.8k ohm	R652	117-1041-15	1/8W 100k ohm	R778	119-3331-15	1/10W 33k ohm
R465	119-6821-15	1/10W 6.8k ohm	R653	117-1041-15	1/8W 100k ohm	R779	119-3331-15	1/10W 33k ohm
R466	119-6821-15	1/10W 6.8k ohm	R654	117-1041-15	1/8W 100k ohm	R783	116-3011-15	1/4W 300 ohm
R467	119-6821-15	1/10W 6.8k ohm	R701	119-3331-15	1/10W 33k ohm	R784	116-1021-15	1/4W 1k ohm
R470	119-4731-15	1/10W 47k ohm	R702	119-1041-15	1/10W 100k ohm	R785	119-3331-15	1/10W 33k ohm
R471	119-4731-15	1/10W 47k ohm	R703	119-3331-15	1/10W 33k ohm	R786	119-1031-15	1/10W 10k ohm
R476	119-4731-15	1/10W 47k ohm	R704	119-1011-15	1/10W 100 ohm	R787	119-1031-15	1/10W 10k ohm
R477	119-4731-15	1/10W 47k ohm	R705	119-1011-15	1/10W 100 ohm	R788	119-4721-15	1/10W 4.7k ohm
R480	119-6821-15	1/10W 6.8k ohm	R706	119-1031-15	1/10W 10k ohm	R789	119-1021-15	1/10W 1k ohm
R481	119-6821-15	1/10W 6.8k ohm	R707	119-1031-15	1/10W 10k ohm	R790	119-5641-15	1/10W 560k ohm
R482	119-3331-15	1/10W 33k ohm	R708	116-3011-15	1/4W 300 ohm	R791	119-1021-15	1/10W 1k ohm
R483	119-3331-15	1/10W 33k ohm	R709	116-3011-15	1/4W 300 ohm	R792	119-2231-15	1/10W 22k ohm
R484	119-3331-15	1/10W 33k ohm	R710	119-1021-15	1/10W 1k ohm	R793	119-3921-15	1/10W 3.9k ohm
R485	119-3331-15	1/10W 33k ohm	R711	119-1021-15	1/10W 1k ohm	R794	116-8201-15	1/4W 82 ohm
R486	119-3331-15	1/10W 33k ohm	R712	119-3331-15	1/10W 33k ohm	R795	119-1021-15	1/10W 1k ohm
R487	119-3331-15	1/10W 33k ohm	R713	119-1021-15	1/10W 1k ohm	R796	119-1031-15	1/10W 10k ohm
R488	119-3331-15	1/10W 33k ohm	R714	119-1021-15	1/10W 1k ohm	R797	116-3011-15	1/4W 300 ohm
R489	119-3331-15	1/10W 33k ohm	R715	119-2241-15	1/10W 220k ohm	R798	119-1021-15	1/10W 1k ohm
R501	117-4711-15	1/8W 470 ohm	R716	119-3331-15	1/10W 33k ohm	R799	119-3331-15	1/10W 33k ohm
R572	119-4731-15	1/10W 47k ohm	R717	119-1021-15	1/10W 1k ohm	R800	119-3331-15	1/10W 33k ohm
R577	116-1521-15	1/4W 1.5k ohm	R718	119-0000-05	1/10W 0 ohm JW	R801	119-1031-15	1/10W 10k ohm
R578	119-4731-15	1/10W 47k ohm	R719	119-3331-15	1/10W 33k ohm	R802	119-3331-15	1/10W 33k ohm
R579	119-4731-15	1/10W 47k ohm	R720	119-3331-15	1/10W 33k ohm	R803	119-1031-15	1/10W 10k ohm
R603	119-2221-15	1/10W 2.2k ohm	R721	119-3331-15	1/10W 33k ohm	R804	119-1031-15	1/10W 10k ohm
R604	119-2221-15	1/10W 2.2k ohm	R722	119-3331-15	1/10W 33k ohm	R805	119-3331-15	1/10W 33k ohm
R605	119-2221-15	1/10W 2.2k ohm	R723	119-1031-15	1/10W 10k ohm	R806	119-3331-15	1/10W 33k ohm
R606	119-2221-15	1/10W 2.2k ohm	R724	119-3331-15	1/10W 33k ohm	R808	119-1031-15	1/10W 10k ohm
R607	119-4731-15	1/10W 47k ohm	R725	119-2221-15	1/10W 2.2k ohm	R811	-----	(C-A) (C-C)
R608	119-4731-15	1/10W 47k ohm	R726	119-3331-15	1/10W 33k ohm	R811	119-1031-15	1/10W 10k ohm (C-D)
R609	119-4731-15	1/10W 47k ohm	R727	119-6831-15	1/10W 68k ohm	R812	119-1031-15	1/10W 10k ohm (C-A)
R610	119-4731-15	1/10W 47k ohm	R728	119-6831-15	1/10W 68k ohm	R812	-----	(C-C)(C-D)
R611	119-4711-15	1/10W 470 ohm	R729	119-1641-15	1/10W 160k ohm	R813	-----	(C-A)
R612	119-4711-15	1/10W 470 ohm	R730	119-1021-15	1/10W 1k ohm	R813	119-1031-15	1/10W 10k ohm (C-C)(C-D)
R613	119-4711-15	1/10W 470 ohm	R731	119-1031-15	1/10W 10k ohm	R901	116-2711-15	1/4W 270 ohm
R614	119-4711-15	1/10W 470 ohm	R732	119-2221-15	1/10W 2.2k ohm	R902	119-1021-15	1/10W 1k ohm
R615	119-1031-15	1/10W 10k ohm	R733	119-1021-15	1/10W 1k ohm	R903	116-0000-05	1/4W 0 ohm JW
R616	119-4731-15	1/10W 47k ohm	R734	116-1011-15	1/4W 100 ohm	R904	119-1031-15	1/10W 10k ohm
R617	119-4731-15	1/10W 47k ohm	R735	119-1041-15	1/10W 100k ohm	R905	116-4311-15	1/4W 430 ohm
R618	119-4731-15	1/10W 47k ohm	R736	119-3331-15	1/10W 33k ohm	R907	116-1021-15	1/4W 1k ohm
R619	119-1031-15	1/10W 10k ohm	R737	119-1041-15	1/10W 100k ohm	R909	119-0000-05	1/10W 0 ohm JW
R620	119-4731-15	1/10W 47k ohm	R738	119-3331-15	1/10W 33k ohm	R910	119-2231-15	1/10W 22k ohm
R621	119-1031-15	1/10W 10k ohm	R739	119-3331-15	1/10W 33k ohm			
R622	119-1031-15	1/10W 10k ohm	R740	119-1031-15	1/10W 10k ohm			
R623	119-2231-15	1/10W 22k ohm	R741	119-1011-15	1/10W 100 ohm			

REF No.	PART No.	DESCRIPTION	REF No.	PART No.	DESCRIPTION	REF No.	PART No.	DESCRIPTION
R911	116-3311-15	1/4W 330 ohm	R925	119-1031-15	1/10W 10k ohm	TM102	073-0762-90	TERMINAL
R912	119-1031-15	1/10W 10k ohm	R926	119-2221-15	1/10W 2.2k ohm	TM201	073-0762-90	TERMINAL
R913	119-1031-15	1/10W 10k ohm	R927	119-2221-15	1/10W 2.2k ohm	TM501	073-0762-90	TERMINAL
R914	119-1031-15	1/10W 10k ohm	R928	119-1031-15	1/10W 10k ohm	TM701	073-0762-90	TERMINAL
R915	119-4791-15	1/10W 4.7 ohm	R929	119-1031-15	1/10W 10k ohm	TM901	073-0762-90	TERMINAL
R916	119-4791-15	1/10W 4.7 ohm	R935	116-1591-15	1/4W 1.5 ohm	X201	061-3534-90	16.92MHz
R917	116-1221-15	1/4W 1.2k ohm	R936	116-1591-15	1/4W 1.5 ohm	X401	061-3537-90	41.6MHz
R918	116-1221-15	1/4W 1.2k ohm	SUP101	060-0122-91	DSP-141N-S00B	X701	061-3545-90	3.14572MHz
R919	116-1221-15	1/4W 1.2k ohm	T501	009-0670-80	180uH	X702	061-3506-80	32.768MHz
R920	116-1221-15	1/4W 1.2k ohm	TC701	004-1583-51	10pF WHT	PWB	039-2882-00	PWB(WITHOUT COMPONENTS)
R921	119-1031-15	1/10W 10k ohm	TH101	002-0318-21	THERMISTOR			
R923	116-1591-15	1/4W 1.5 ohm	TH501	002-0318-21	THERMISTOR			
R924	116-1591-15	1/4W 1.5 ohm	TM101	073-0762-90	TERMINAL			

* Some parts depend on each model. The model name is specified in the description.
C-A : PH-3128C-A . C-C : PH-3128C-C , C-D : PH-3128C-D

Switch PWB section(B2)

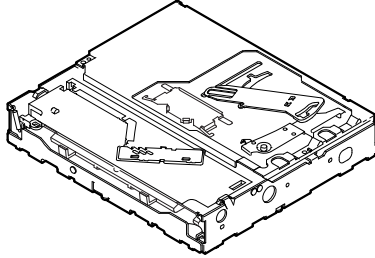
REF No.	PART No.	DESCRIPTION	REF No.	PART No.	DESCRIPTION	REF No.	PART No.	DESCRIPTION
C101	168-4732-78	0.047uF K	D110	001-7100-90	NESB017-EE2-KLP7*17.5 (C-A)	PL102	017-0505-50	PL 8V 70mA (BLUE) (C-A)(C-C)
C102	168-4732-78	0.047uF K	D110	001-7100-92	NESB017 (C-C)(C-D)	PL102	017-0464-50	PL 8V 70mA (BLUE) (C-D)
C103	168-4732-78	0.047uF K	D111	001-7100-90	NESB017-EE2-KLP7*17.5 (C-A)	PL103	017-0505-50	PL 8V 70mA (BLUE) (C-A)(C-C)
C104	166-6811-50	680pF	D111	001-7100-92	NESB017 (C-C)(C-D)	PL103	017-0464-50	PL 8V 70mA (BLUE) (C-D)
C105	168-4732-78	0.047uF K	D112	001-7100-90	NESB017-EE2-KLP7*17.5 (C-A)	PL104	017-0505-50	PL 8V 70mA (BLUE) (C-A)(C-C)
C106	168-4732-78	0.047uF K	D112	001-7100-92	NESB017 (C-C)(C-D)	PL104	017-0464-50	PL 8V 70mA (BLUE) (C-D)
C107	168-4732-78	0.047uF K	D118	001-7063-95	RBR1102W D,E	PL105	017-0505-50	PL 8V 70mA (BLUE) (C-A)(C-C)
C108	166-6811-50	680pF	D119	001-7091-90	VYBG1102W B6-9 GREEN	PL105	017-0464-50	PL 8V 70mA (BLUE) (C-D)
C109	166-2201-50	22pF CH	D201	001-0529-36	MA8062-H	PL106	017-0505-50	PL 8V 70mA (BLUE) (C-A)(C-C)
C110	166-2201-50	22pF CH	D202	001-0516-90	MA111	PL106	017-0464-50	PL 8V 70mA (BLUE) (C-D)
C111	043-0554-90	25V 10uF	D203	001-0516-90	MA111	PL107	017-0505-50	PL 8V 70mA (BLUE) (C-A)(C-C)
C121	166-2201-50	22pF CH	D204	001-0516-90	MA111	PL107	017-0464-50	PL 8V 70mA (BLUE) (C-D)
C122	166-2201-50	22pF CH	D205	001-0516-90	MA111	PL107	017-0505-50	PL 8V 70mA (BLUE) (C-A)(C-C)
D101	001-7100-90	NESB017-EE2-KLP7*17.5 (C-A)	D206	001-0516-90	MA111	PL107	017-0464-50	PL 8V 70mA (BLUE) (C-D)
D101	001-7100-92	NESB017 (C-C)(C-D)	D207	001-0516-90	MA111	PL108	017-0505-50	PL 8V 70mA (BLUE) (C-A)(C-C)
D102	001-7100-90	NESB017-EE2-KLP7*17.5 (C-A)	D208	001-0516-90	MA111	PL108	017-0464-50	PL 8V 70mA (BLUE) (C-D)
D102	001-7100-92	NESB017 (C-C)(C-D)	D209	001-0516-90	MA111	PL108	017-0505-50	PL 8V 70mA (BLUE) (C-A)(C-C)
D103	001-7100-90	NESB017-EE2-KLP7*17.5 (C-A)	D210	001-0516-90	MA111	PL108	017-0464-50	PL 8V 70mA (BLUE) (C-D)
D103	001-7100-92	NESB017 (C-C)(C-D)	D211	001-0516-90	MA111	PL109	017-0505-50	PL 8V 70mA (BLUE) (C-A)(C-C)
D104	001-7100-90	NESB017-EE2-KLP7*17.5 (C-A)	D212	001-0516-90	MA111	PL109	017-0464-50	PL 8V 70mA (BLUE) (C-D)
D104	001-7100-92	NESB017 (C-C)(C-D)	D213	001-0516-90	MA111	PL110	017-0505-50	PL 8V 70mA (BLUE) (C-A)(C-C)
D105	001-7100-90	NESB017-EE2-KLP7*17.5 (C-A)	D214	001-0516-90	MA111	PL110	017-0464-50	PL 8V 70mA (BLUE) (C-D)
D105	001-7100-92	NESB017 (C-C)(C-D)	D215	001-0516-90	MA111	PL111	017-0504-00	8V 70mA (C-A)(C-C)
D106	001-7100-90	NESB017-EE2-KLP7*17.5 (C-A)	D216	001-0516-90	MA111	PL111	017-0460-01	PL 8V 70mA (C-D)
D106	001-7100-92	NESB017 (C-C)(C-D)	D222	001-0516-90	MA111	PL112	017-0504-00	8V 70mA (C-A)(C-C)
D107	001-7100-90	NESB017-EE2-KLP7*17.5 (C-A)	IC201	051-6037-00	LC75884W	PL112	017-0460-01	PL 8V 70mA (C-D)
D107	001-7100-92	NESB017 (C-C)(C-D)	IC202	051-6037-00	LC75884W	Q201	125-2027-91	DTC114EUA
D108	001-7100-90	NESB017-EE2-KLP7*17.5 (C-A)	IC203	051-7222-18	TC7S08FUTE85L	Q202	125-2027-91	DTC114EUA
D108	001-7100-92	NESB017 (C-C)(C-D)	J201	074-3014-74	24P	R104	032-0140-89	1/10W 47k ohm F
D109	001-7100-90	NESB017-EE2-KLP7*17.5 (C-A)	J202	074-1158-62	12P	R105	116-2711-15	1/4W 270 ohm (C-A)
D109	001-7100-92	NESB017 (C-C)(C-D)	J203	074-1158-64	14P	R105	116-2211-15	1/4W 220 ohm (C-C)(C-D)
			J204	074-1158-64	14P			
			J205	074-1158-62	12P			
			LCD101	379-1425-43	INDICATOR (LCD) (C-A)			
			LCD101	379-1397-42	INDICATOR (LCD) (C-C)(C-D)			
			PL101	017-0505-50	PL 8V 70mA (BLUE) (C-A)(C-C)			
			PL101	017-0464-50	PL 8V 70mA (BLUE) (C-D)			

* Some parts depend on each model. The model name is specified in the description.

C-A : PH-3128C-A . C-C : PH-3128C-C , C-D : PH-3128C-D

REF No.	PART No.	DESCRIPTION	REF No.	PART No.	DESCRIPTION	REF No.	PART No.	DESCRIPTION
R106	116-2711-15	1/4W 270 ohm (C-A)	R122	119-4721-15	1/10W 4.7k ohm	S113	013-6201-52	SKPMAP010
R106	116-2211-15	1/4W 220 ohm	R123	119-4721-15	1/10W 4.7k ohm	S114	013-6201-52	SKPMAP010
		(C-C)(C-D)	R201	119-1021-15	1/10W 1k ohm	S115	013-6201-52	SKPMAP010
R107	116-2711-15	1/4W 270 ohm (C-A)	R202	119-1021-15	1/10W 1k ohm	S116	013-6207-50	SKPMAQE010
R107	116-2211-15	1/4W 220 ohm	R203	119-1021-15	1/10W 1k ohm	S117	013-6201-52	SKPMAP010
		(C-C)(C-D)	R204	119-2221-15	1/10W 2.2k ohm	S118	016-7003-00	ROTARY-SW EC40
R108	116-2711-15	1/4W 270 ohm (C-A)	R207	119-4721-15	1/10W 4.7k ohm			A15204
R108	116-2211-15	1/4W 220 ohm	R208	119-0000-05	1/10W 0 ohm JW	S119	016-7003-00	ROTARY-SW EC40
		(C-C)(C-D)	S101	013-6206-50	SKPMANE010			A15204
R109	116-2711-15	1/4W 270 ohm (C-A)	S102	013-6201-52	SKPMAP010	TM101	073-0786-90	TERMINAL
R109	116-2211-15	1/4W 220 ohm	S103	013-6201-52	SKPMAP010	TM102	073-0786-90	TERMINAL
		(C-C)(C-D)	S104	013-6201-52	SKPMAP010	PWB	039-3283-00	PWB(WITHOUT
R110	116-2711-15	1/4W 270 ohm (C-A)	S105	013-6201-52	SKPMAP010			COMPONENTS)
R110	116-2211-15	1/4W 220 ohm	S106	013-6206-50	SKPMANE010			(C-A)(C-C)
		(C-C)(C-D)	S107	013-6206-50	SKPMANE010	PWB	039-2973-00	PWB(WITHOUT
R112	119-4721-15	1/10W 4.7k ohm	S108	013-6206-50	SKPMANE010			COMPONENTS)
R113	119-4721-15	1/10W 4.7k ohm	S109	013-6201-52	SKPMAP010			(C-D)
R114	119-4721-15	1/10W 4.7k ohm	S110	013-6207-50	SKPMAQE010			
R116	032-0140-89	1/10W 47k ohm F	S111	013-6201-52	SKPMAP010			
R121	119-4721-15	1/10W 4.7k ohm	S112	013-6201-52	SKPMAP010			

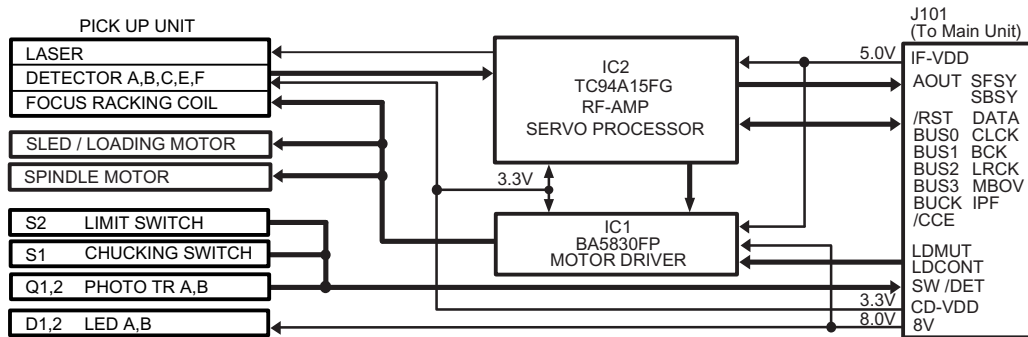
Service Manual



CD mechanism

Model **929-5019-81**

BLOCK DIAGRAM



ELECTRICAL PARTS LIST

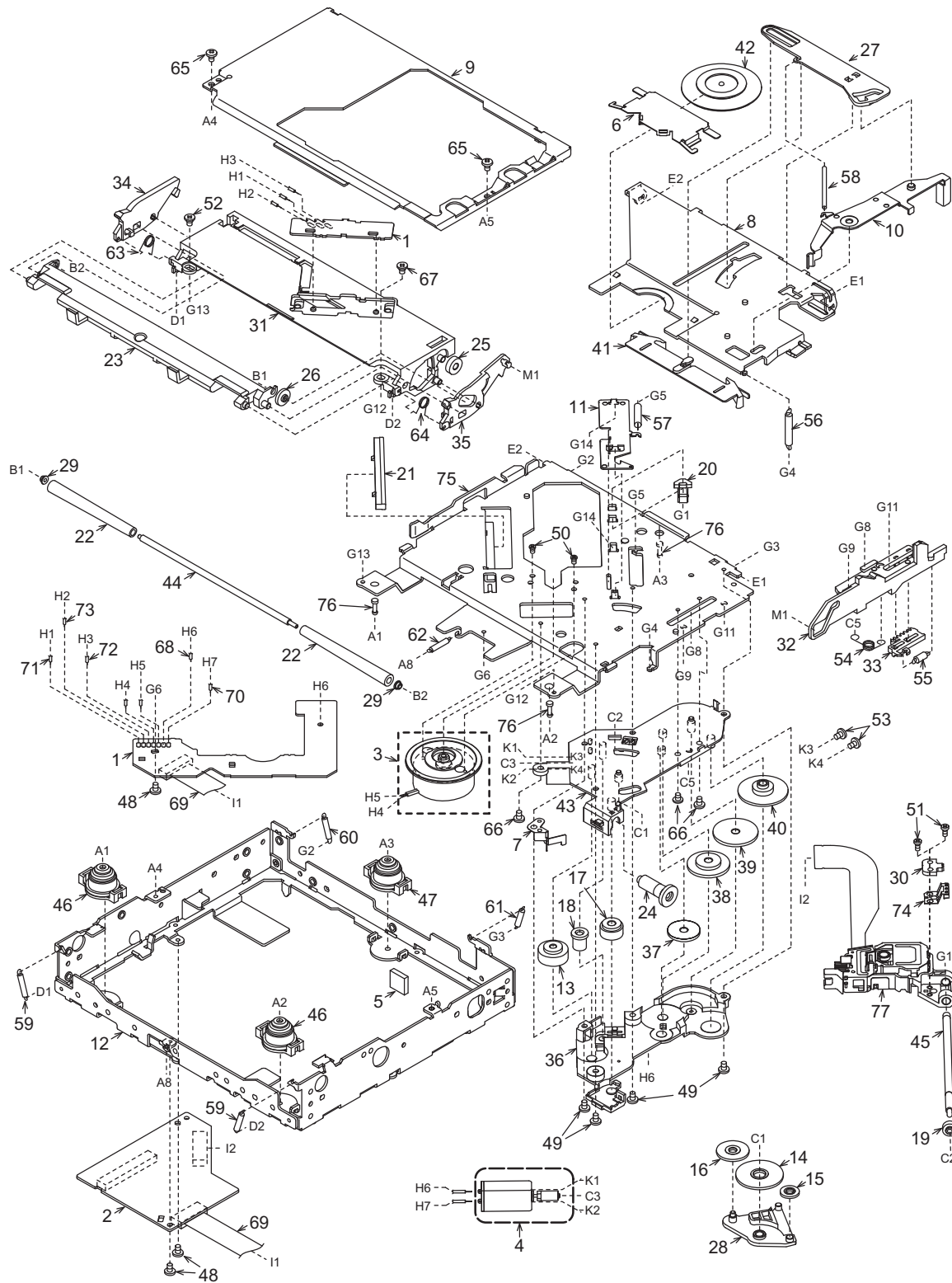
CD PWB(BM1) section

REF No.	PART No.	DESCRIPTION	REF No.	PART No.	DESCRIPTION	REF No.	PART No.	DESCRIPTION
C1	168-1042-78	16V 0.1uF	C27	046-3332-78	0.033uF	R2	117-1001-15	1/8W 10 ohm
C2	163-1073-35	16V 100uF	C29	046-6822-58	6800pF	R3	033-2211-15	1/10W 220 ohm
C4	178-1052-78	1uF	C30	168-1042-78	16V 0.1uF	R5	033-0000-05	1/10W 0 ohm
C5	042-0560-85	6.3V 100uF	C31	046-4712-58	470pF	R6	033-5621-15	1/10W 5.6k ohm
C6	178-1052-78	1uF	C32	046-4712-58	470pF	R7	033-4731-15	1/10W 47k ohm
C8	178-1052-78	1uF	C33	168-1042-78	16V 0.1uF	R8	033-3341-15	1/10W 330k ohm
C10	168-1042-78	16V 0.1uF	C34	168-4732-78	16V 0.047uF	R9	033-2231-15	1/10W 22k ohm
C11	168-1042-78	16V 0.1uF	C35	168-4732-78	16V 0.047uF	R10	033-2231-15	1/10W 22k ohm
C12	045-4701-50	47pF	C36	045-1007-50	10pF	R11	033-2731-15	1/10W 27k ohm
C13	046-1532-78	0.015uF	C37	045-1007-50	10pF	R12	033-4731-15	1/10W 47k ohm
C14	168-1042-78	16V 0.1uF	C38	168-1042-78	16V 0.1uF	R13	033-2731-15	1/10W 27k ohm
C15	046-1032-78	0.01uF	C39	046-5622-58	5600pF	R14	033-1531-15	1/10W 15k ohm
C17	046-4722-58	4700pF	C40	168-1042-78	16V 0.1uF	R15	033-2731-15	1/10W 27k ohm
C18	046-1522-58	1500pF	CCCT1	050-0140-63	1/32W 47k ohm x4J	R16	033-8231-15	1/10W 82k ohm
C19	168-1042-78	16V 0.1uF	D1	001-0367-91	1SS226	R17	033-2731-15	1/10W 27k ohm
C20	168-1042-78	16V 0.1uF	IC1	051-6079-90	BA5830FPG	R18	033-8231-15	1/10W 82k ohm
C21	046-6812-58	680pF	IC2	051-6399-00	TC94A15F	R19	033-1051-15	1/10W 1M ohm
C22	168-1042-78	16V 0.1uF	J101	074-1228-79	29P	R20	119-2221-15	1/10W 2.2k ohm
C23	046-1532-78	0.015uF	J201	074-1138-65	15P	X2	061-3534-90	16.92MHz
C24	168-1042-78	16V 0.1uF	J301	074-1138-60	10P	PWB	039-2741-20	PWB(WITHOUT COMPONENT)
C25	045-6801-50	68pF	Q1	131-1188-50	2SB1188PQR			
C26	168-1042-78	16V 0.1uF	R1	117-6811-15	1/8W 680 ohm			

Sensor PWB(BM2) section

REF No.	PART No.	DESCRIPTION	REF No.	PART No.	DESCRIPTION	REF No.	PART No.	DESCRIPTION
D1	001-7058-90	AN1105W-RR	Q1	060-4015-91	PS1192HB	S2	013-7413-50	LIMIT
D2	001-7058-90	AN1105W-RR	Q2	060-4015-91	PS1192HB	PWB	039-2675-20	PWB(WITHOUT COMPONENT)
J1	074-1138-60	10P	S1	013-7414-50	CHUCKING			

EXPLODED VIEW / PARTS LIST



NO.	PART NO.	DESCRIPTION	Q'TY
1	-----	SENSOR PWB	1
2	-----	CD PWB	1
3	SMA-199-100	SPINDLE MOTOR-ASSY	1
4	SMA-183-100	SLED MOTOR-ASSY	1
5	345-5476-20	CUSHION RUBBER	1
6	620-1023-23	CLAMPER PLATE	1
7	620-1026-21	SPRING PLATE	1
8	620-1596-23	CLAMPER LINK	1
9	620-1862-20	UPPER CHASSIS	1
10	620-1752-20	SENSOR ARM	1
11	620-1753-20	ID-LOCK PLATE	1
12	620-1868-20	LOWER CHASSIS	1
13	621-0608-21	SECOND GEAR	1
14	621-0609-20	BASE GEAR	1
15	621-0610-20	IDLE GEAR A	1
16	621-0611-20	IDLE GEAR B	1
17	621-0612-21	ROLLER GEAR A	1
18	621-0620-20	THREAD GEAR A	1
19	621-0621-20	THREAD GEAR B	1
20	621-0623-23	LS-HOLDER	1
21	621-0624-22	GUIDE RAIL	1
22	621-0711-21	LOADING ROLLER	2
23	621-0718-21	ROLLER GUIDE	1
24	621-0719-20	ROLLER GEAR B	1
25	621-0720-20	ROLLER GEAR C	1
26	621-0721-20	ROLLER GEAR D	1
27	621-0728-20	STOPPER LINK	1
28	621-1719-20	IDLE CASE	1
29	621-1726-20	ROLLER SLEEVE	2
30	621-1729-20	SH-BASE	1
31	621-1742-20	UPPER GUIDE	1
32	621-1743-20	SHIFT LEVER	1
33	621-1744-20	RACK	1
34	621-1745-20	LOCK ARM L	1
35	621-1746-20	LOCK ARM R	1
36	621-1747-20	GEAR COVER	1
37	621-1748-20	POWER GEAR A	1
38	621-1749-20	POWER GEAR B	1
39	621-1750-20	POWER GEAR C	1

NO.	PART NO.	DESCRIPTION	Q'TY
40	621-1751-20	POWER GEAR D	1
41	621-1752-20	DISC STOPPER	1
42	621-1753-20	CLAMPER RING	1
43	621-1754-20	GEAR BASE	1
44	622-1571-21	ROLLER SHAFT	1
45	624-0018-01	LEAD SCREW	1
46	629-0086-20	DAMPER F	2
47	629-0087-20	DAMPER R	1
48	716-1507-01	SCREW(M2x3)	3
49	716-1670-01	SCREW(M2x4)	4
50	716-1733-01	SCREW(M1.7x2.3)	2
51	716-3469-01	SCREW(1.7x4)	2
52	716-3473-01	SCREW(M2x3)	1
53	716-3551-00	SCREW(M1.4x2.5)	2
54	750-7865-20	SHIFT SPRING	1
55	750-7866-20	RACK SPRING	1
56	750-7867-20	CLAMPER SPRING	1
57	750-7868-20	ID-LOCK SPRING	1
58	750-7869-20	SENSOR SPRING	1
59	750-7870-20	DR-SPRING F	2
60	750-7871-20	DR-SPRING RA	1
61	750-7872-20	DR-SPRING RB	1
62	750-7873-20	DR-SPRING C	1
63	750-6797-20	ROLLER SPRING L	1
64	750-6798-20	ROLLER SPRING R	1
65	714-2003-8B	SCREW(M2x3)	2
66	780-2025-00	SCREW(M2x2.5)	3
67	781-1730-00	SCREW(M1.7x3)	1
68	803-4906-60	VINYL-COAT-WIRE(ORG)	1
69	816-2542-01	FLAT WIRE	1
70	816-2590-00	VINYL-COAT-WIRE(GRN)	1
71	816-2591-00	VINYL-COAT-WIRE(YEL)	1
72	816-2592-00	VINYL-COAT-WIRE(BLUE)	1
73	816-2593-00	VINYL-COAT-WIRE(PUR)	1
74	966-1722-20	SH-RACK-ASSY	1
75	620-1866-20	DRIVE-PLTATE	1
76	622-1570-21	DAMPER PIN	3
77	969-0071-30	PICKUP-ASSY	1