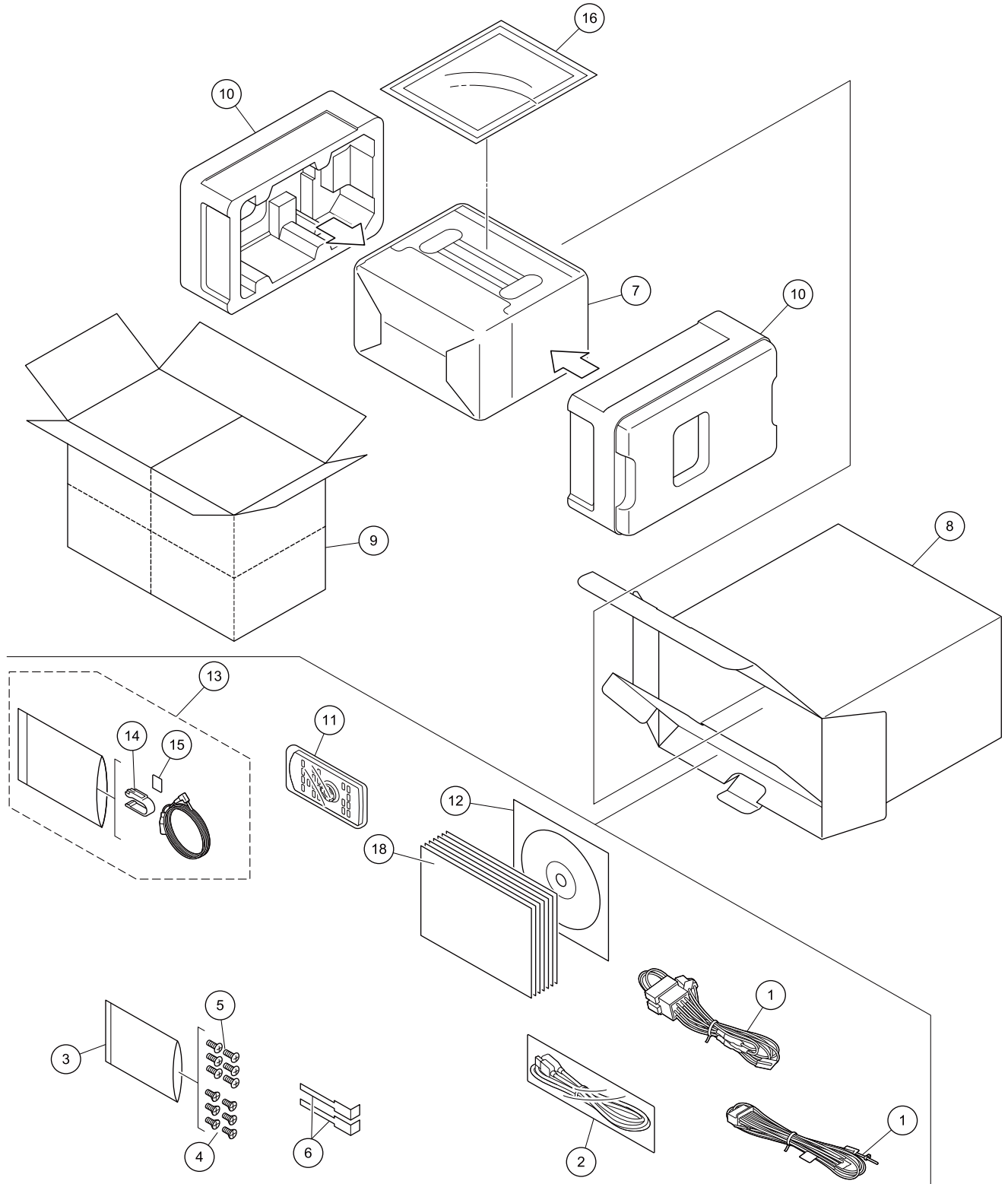


9. EXPLODED VIEWS AND PARTS LIST

- NOTES :
- Parts marked by "*" are generally unavailable because they are not in our Master Spare Parts List.
 - The \triangle mark found on some component parts indicates the importance of the safety factor of the part. Therefore, when replacing, be sure to use parts of identical designation.
 - Screw adjacent to ∇ mark on the product are used for disassembly.
 - For the applying amount of lubricants or glue, follow the instructions in this manual.
(In the case of no amount instructions, apply as you think it appropriate.)

9.1 PACKING



(1) PACKING SECTION PARTS LIST

<u>Mark No.</u>	<u>Description</u>	<u>Part No.</u>	<u>Mark No.</u>	<u>Description</u>	<u>Part No.</u>
1	Cord Assy	See Contrast table (2)	13	Microphone Assy	CPM1083
2	USB Extended Cable	CDP1587	14	Holder	CZN7192
3	Polyethylene Bag	CEG1160	15	Cushion	CZN7193
4	Screw	See Contrast table (2)			
5	Screw	CBA2384	16	Panel	See Contrast table (2)
			17	•••••	
6	Handle	See Contrast table (2)	18-1	Owner's Manual	See Contrast table (2)
7	Cover	See Contrast table (2)	*	18-2 Quick Start Guide	See Contrast table (2)
8	Unit Box	See Contrast table (2)	18-3	Installation Manual	See Contrast table (2)
9	Contain Box	See Contrast table (2)			
10	Protector	See Contrast table (2)	*	18-4 Caution Card	See Contrast table (2)
			*	18-5 Service Network	See Contrast table (2)
11	Card Remote Control Unit	See Contrast table (2)	*	18-6 Warranty Card	See Contrast table (2)
12	IM CD-ROM	See Contrast table (2)			

(2) CONTRAST TABLE

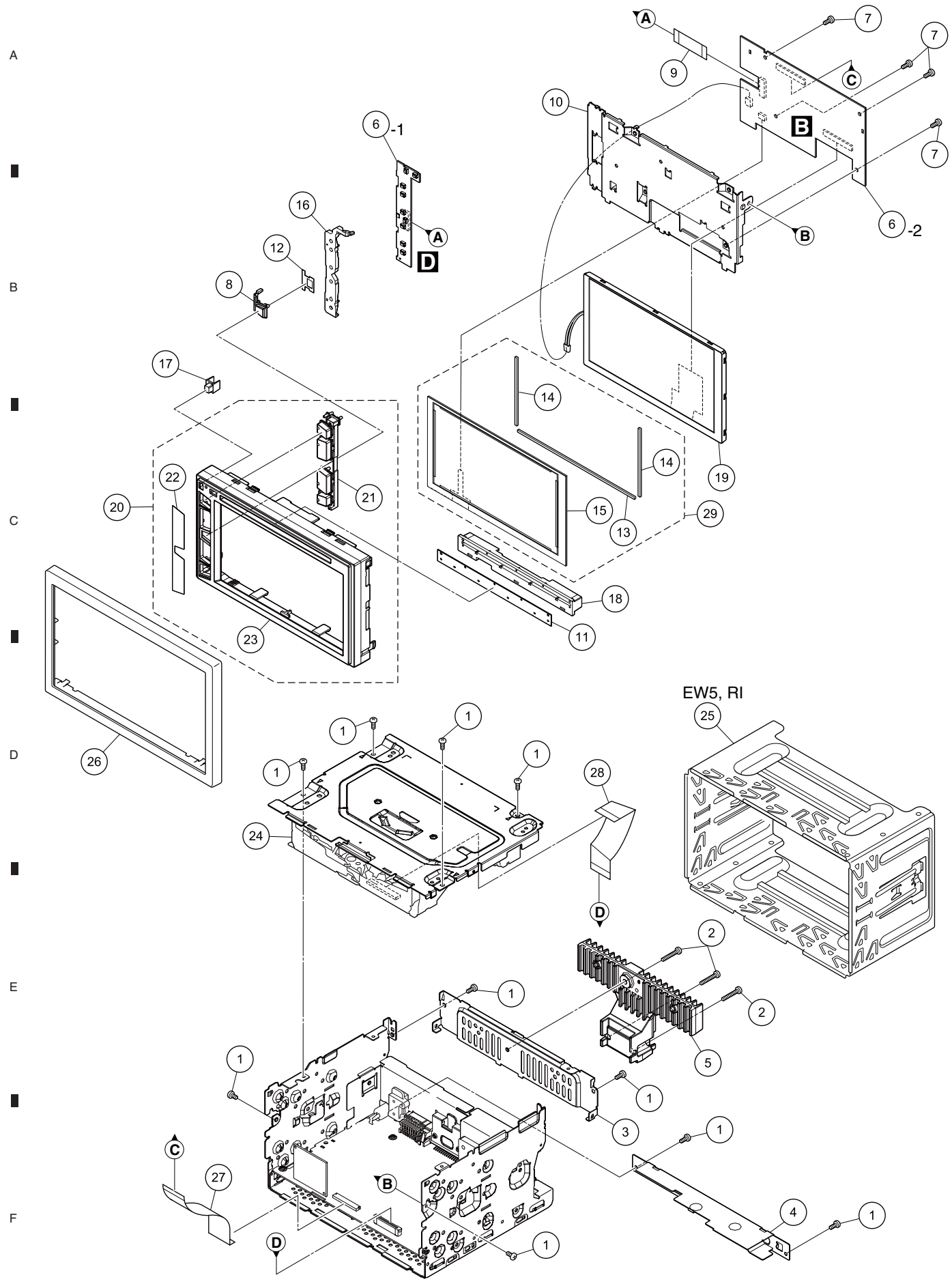
AVH-280BT/XNUC, AVH-280BT/XNEU5, AVH-285BT/XNRC, AVH-285BT/XNRD, AVH-285BT/XNRI, and AVH-289BT/XNID are constructed the same except for the following:

Mark	No.	Description	AVH-280BT/ XNUC	AVH-280BT/ XNEU5	AVH-285BT/ XNRC	AVH-285BT/ XNRD	AVH-285BT/ XNRI	AVH-289BT/ XNID
	1	Cord Assy	CDP1696	CDP1697	CDP1696	CDP1696	CDP1696	CDP1696
	4	Screw	CBA2383	CBA2383	Not used	Not used	Not used	Not used
	6	Handle	Not used	CND6289	Not used	Not used	CND6289	Not used
	7	Cover	CEG1359	CEG1356	CEG1356	CEG1356	CEG1356	CEG1356
	8	Unit Box	QHG3899	QHG3898	QHG3901	QHG3902	QHG3903	QHG3904
	9	Contain Box	QHL3899	QHL3898	QHL3901	QHL3902	QHL3903	QHL3904
	10	Protector	CHP4598	CHP4599	CHP4598	CHP4598	CHP4599	CHP4598
	11	Card Remote Control Unit	Not used	Not used	CXE5116	Not used	CXE5116	CXE5116
	12	IM CD-ROM	Not used	QPJ3034	Not used	Not used	Not used	Not used
	16	Panel	Not used	Not used	CNS9475	CNS9475	CNS9475	CNS9475
	18-1	Owner's Manual	QRD3356	Not used	QRD3357	QRD3358	QRD3359	QRB3356
*	18-2	Quick Start Guide	Not used	QRD3354	Not used	Not used	Not used	Not used
	18-3	Installation Manual	Not used	QRD3355	Not used	Not used	Not used	Not used
*	18-4	Caution Card	Not used	CRP1441	Not used	Not used	Not used	Not used
*	18-5	Service Network	Not used	Not used	Not used	Not used	Not used	CRY1305
*	18-6	Warranty Card	QRY3001	CRY1376	Not used	Not used	Not used	CRY1304

Owner's Manual, Installation Manual

Part No.	Language
QRB3356	English
QRD3354	English, French, Italian, Spanish(Espanol), German, Dutch
QRD3355	English, French, Italian, Spanish(Espanol), German, Dutch
QRD3356	English, French, Spanish(Espanol)
QRD3357	English, Traditional Chinese
QRD3358	English, Spanish(Espanol), Portuguese(B)
QRD3359	English, Arabic, Persian

9.2 EXTERIOR(1)



AVH-280BT/XNUC

(1) EXTERIOR(1) SECTION PARTS LIST

<u>Mark No.</u>	<u>Description</u>	<u>Part No.</u>	<u>Mark No.</u>	<u>Description</u>	<u>Part No.</u>
1	Screw	BSZ26P060FTC	16	Lighting Conductor	CNW3302
2	Screw	BSZ26P120FTC	17	Lighting Conductor	CNW3303
3	Holder	CND7211	18	Holder	CNW3304
4	Holder	CND7212	19	TFT LCD	CWX4348
5	Heat Sink	CNR2170	20	Grille Assy	See Contrast table (2)
6	Monitor Key Unit	See Contrast table (2)	21	Button	CAI4447
7	Screw	BSZ26P060FTC	22	Plate	CNN4860
8	Button(HOME)	CAI4449	23	Grille	See Contrast table (2)
9	FFC	CDE9768	24	DVD Mechanism Module(LS2.5)	CXK8200
10	Holder	CND7198	25	Holder	See Contrast table (2)
11	Cover	CNN4865	26	Panel	See Contrast table (2)
12	Sheet	CNN4864	27	FFC	CDD1084
13	Cushion	CNN4273	28	FFC	CDD1085
14	Cushion	CNN4964	29	Touch Panel Unit	CXE8371
15	Touch Panel	CSX1273			

(2) CONTRAST TABLE

AVH-280BT/XNUC, AVH-280BT/XNEU5, AVH-285BT/XNRC, AVH-285BT/XNRD, AVH-285BT/XNRI, and AVH-289BT/XNID are constructed the same except for the following:

Mark	No.	Description	AVH-280BT/ XNUC	AVH-280BT/ XNEU5	AVH-285BT/ XNRC	AVH-285BT/ XNRD	AVH-285BT/ XNRI	AVH-289BT/ XNID
	6	Monitor Key Unit	QWN4236	QWN4234	QWN4236	QWN4236	QWN4236	QWN4236
	20	Grille Assy	QXA4650	QXA4649	QXA4652	QXA4652	QXA4652	QXA4655
	23	Grille	QNS4038	QNS4037	QNS4040	QNS4040	QNS4040	QNS4043
	25	Holder	Not used	CND7102	Not used	Not used	CND7102	Not used
	26	Panel	Not used	CNU2645	Not used	Not used	CNU2645	Not used

9.3 EXTERIOR(2)

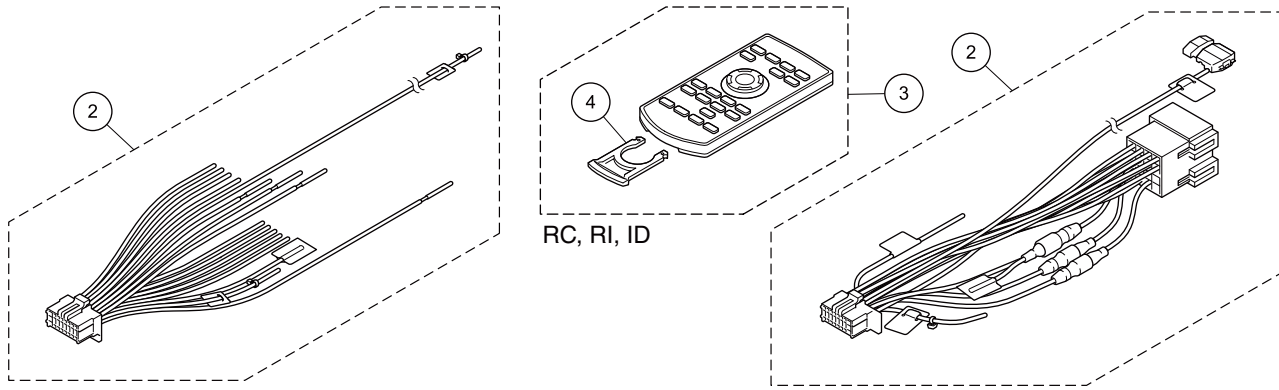
1

2

3

4

A

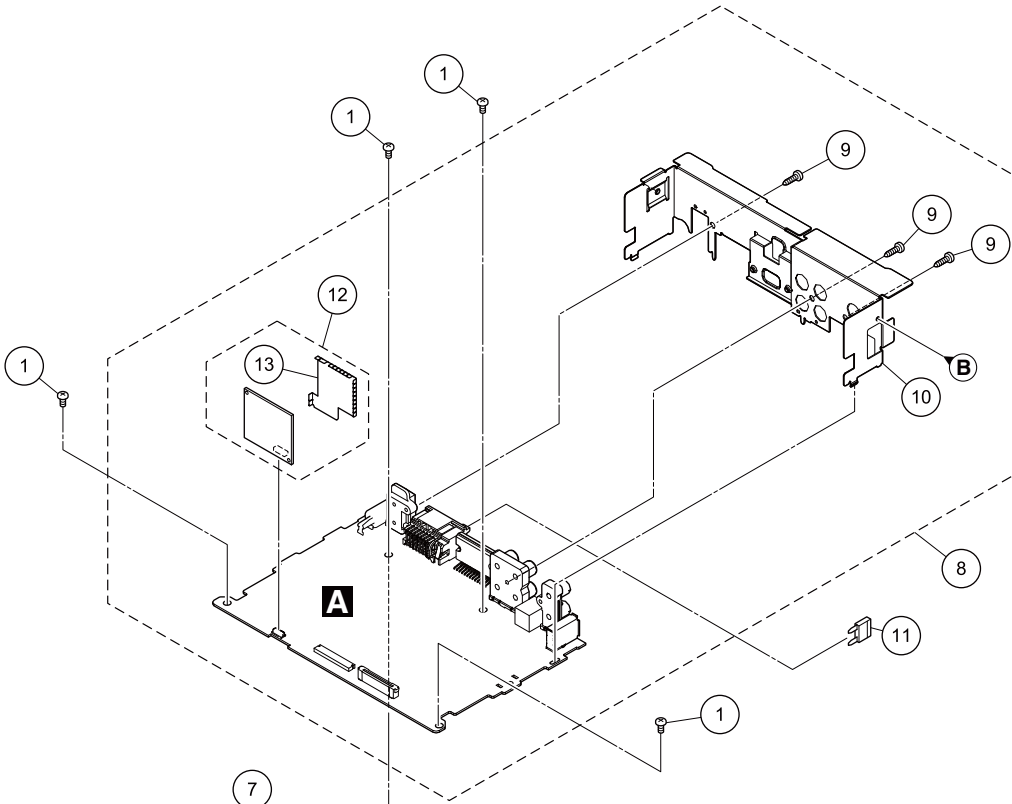


B

UC, RC, RD, RI, ID

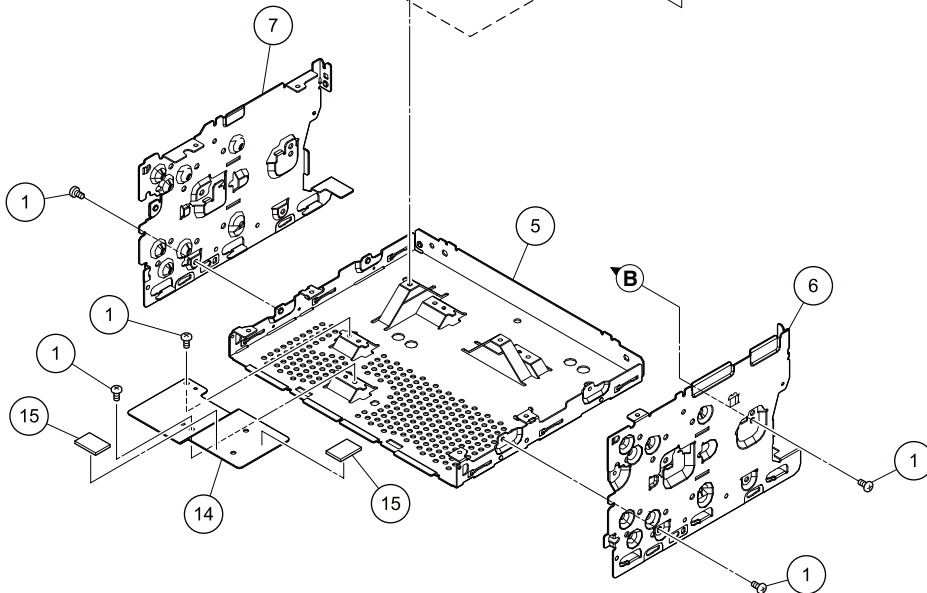
EW5

C



D

E



F

1

2

3

4

(1) EXTERIOR(2) SECTION PARTS LIST

<u>Mark No.</u>	<u>Description</u>	<u>Part No.</u>	<u>Mark No.</u>	<u>Description</u>	<u>Part No.</u>
1	Screw	BSZ26P060FTC	9	Screw	BPZ26P080FTC
2	Cord Assy	See Contrast table (2)	10	Holder	CND7250
3	Card Remote Control Unit	See Contrast table (2)			
4	Battery Cover	See Contrast table (2)	⚠ 11	Fuse(10 A)	YEK5001
5	Chassis	CNA3310	12	BT Module	CWX4772
			13	Shield Case	YNC5123
6	Bracket	CND6985	14	Holder	CND7260
7	Bracket	CND6986	15	Sheet	CNN5016
8	Mother Unit	See Contrast table (2)			

(2) CONTRAST TABLE

AVH-280BT/XNUC, AVH-280BT/XNEU5, AVH-285BT/XNRC, AVH-285BT/XNRD, AVH-285BT/XNRI, and AVH-289BT/XNID are constructed the same except for the following:

Mark	No.	Description	AVH-280BT/ XNUC	AVH-280BT/ XNEU5	AVH-285BT/ XNRC	AVH-285BT/ XNRD	AVH-285BT/ XNRI	AVH-289BT/ XNID
	2	Cord Assy	CDP1696	CDP1697	CDP1696	CDP1696	CDP1696	CDP1696
	3	Card Remote Control Unit	Not used	Not used	CXE5116	Not used	CXE5116	CXE5116
	4	Battery Cover	Not used	Not used	CNU1624	Not used	CNU1624	CNU1624
	8	Mother Unit	QWM4221	QWM4220	QWM4223	QWM4224	QWM4225	QWM4226

9.4 DVD MECHANISM MODULE(1)

1

2

3

4

A

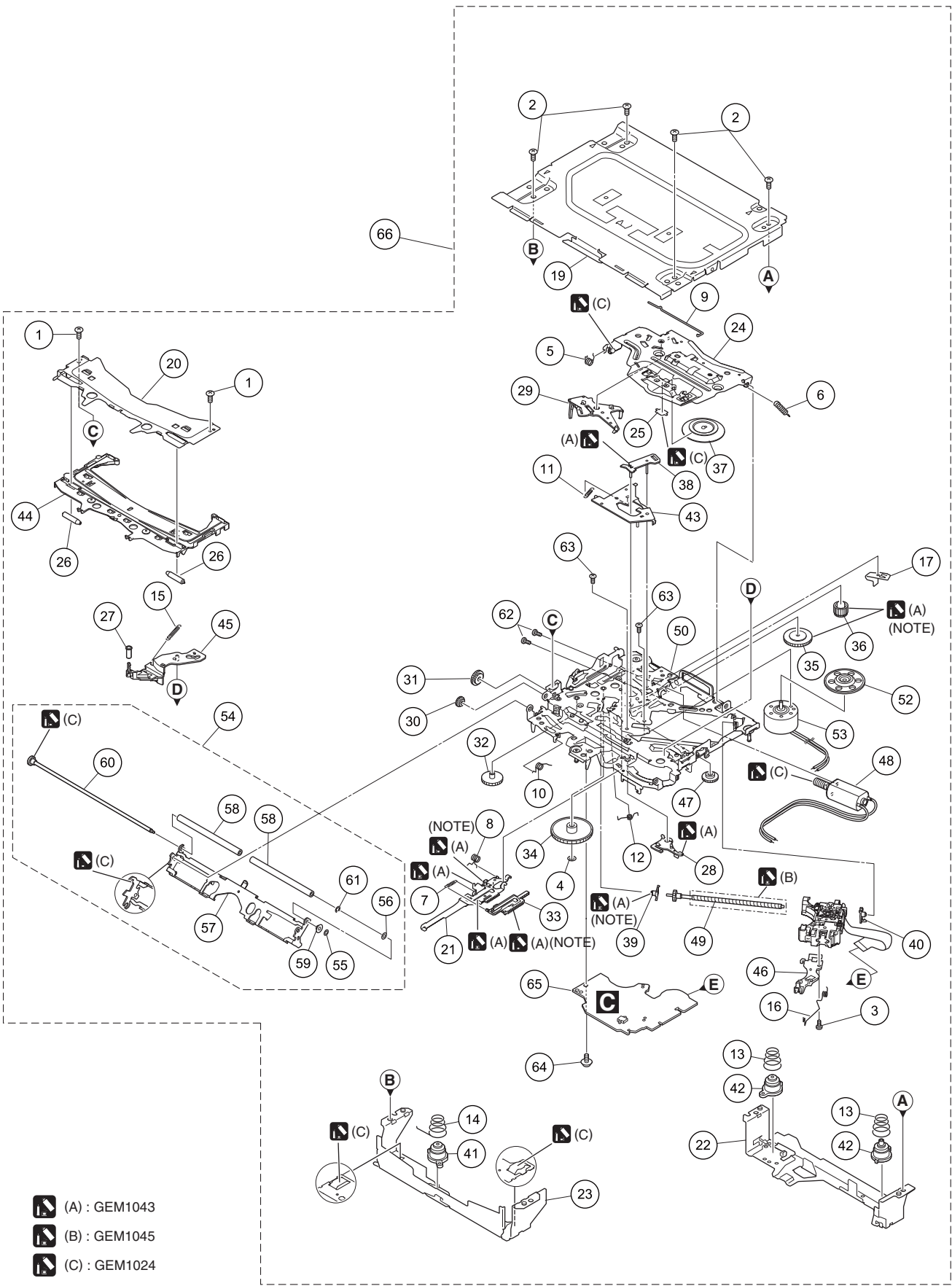
B

C

D

E

F



(NOTE) Apply grease to the whole part.

1

2

3

4

5 6 7 8
DVD MECHANISM MODULE(1) SECTION PARTS LIST

<u>Mark No.</u>	<u>Description</u>	<u>Part No.</u>	<u>Mark No.</u>	<u>Description</u>	<u>Part No.</u>
1	Screw	BSZ20P040FTC	50	Chassis Unit	CXE8407
2	Screw	BSZ26P060FTC			
3	Screw (M2 x 4)	CBA1835	51	*****	
4	Washer	CBF1038	*	52 Support Wheel	CNW2052
5	Spring	CBH2855	*	53 Spindle Motor	EXM2002
				54 Arm Assy	CXE7890
6	Spring	CBH2860		55 Washer	CBF1037
7	Spring	CBH3010			
8	Spring	CBH3011	56	Washer	CBF1038
9	Spring	CBH3014	57	Arm	CND6779
10	Spring	CBH3015	58	Roller	CNW2500
			59	Collar	CNW2444
11	Spring	CBH3016	60	Gear Unit	CXE6225
12	Spring	CBH3017			
13	Spring	CBH3019	61	E Ring	YE15FTC
14	Spring	CBH3086	62	Screw	JFZ20P025FTC
15	Spring	CBH3095	63	Screw	JGZ17P020FTC
			64	Screw (M2 x 5)	EBA1028
16	Spring	CBH3096	*	65 Relay Unit	CWX4693
17	Plate Spring	CBL1824			
18	*****		66	Mechanism Unit(Service)	CXX7130
19	Case	CNB3928			
20	Bracket	CND4553			
21	Lever	CND7225			
22	Bracket	CND5710			
23	Bracket	CND6127			
24	Arm	CND7224			
25	Sheet	CNN3678			
26	Roller	CNW1172			
27	Roller	CNW1175			
28	Arm	CNW1177			
29	Arm	CNW1178			
30	Gear	CNW1180			
31	Gear	CNW1181			
32	Gear	CNW1183			
33	Rack	CNW1184			
34	Gear	CNW1185			
35	Gear	CNW1186			
36	Gear	CNW1187			
37	Clamper	CNW1190			
38	Arm	CNW1192			
39	Holder	CNW1193			
40	Holder	CNW1194			
41	Damper	CNW2439			
42	Damper	CNW2440			
43	Arm	CNW1726			
44	Guide	CNW3489			
45	Arm	CNW2241			
46	Rack	CNW2265			
47	Gear	CNW2287			
48	Motor Unit	CXC4026			
49	Screw Unit	CXC8894			

Pickup, Spindle Motor and Support Wheel are not available as service parts, because they need adjustment by special equipment after replacing.

12. ELECTRICAL PARTS LIST

NOTE:

- Parts whose parts numbers are omitted are subject to being not supplied.
- The part numbers shown below indicate chip components.

Chip Resistor

RS1/○S○○○○J,RS1/○○S○○○○J

Chip Capacitor (except for CQS.....)

CKS....., CCS....., CSZS.....

- Parts marked by “ * ” are generally unavailable because they are not in our Master Spare Parts List.
- The \triangle mark found on some component parts indicates the importance of the safety factor of the part. Therefore, when replacing, be sure to use parts of identical designation.
- Meaning of the figures and others in the parentheses in the parts list.

Example) IC 301 is on the point (face A, 91 of x-axis, and 111 of y-axis) of the corresponding PC board.

IC 301 (A, 91, 111) IC NJM2068V

- The expression of the unit in this manual is shown by u instead of μ . Please do not make a mistake.

<u>Circuit Symbol and No.</u>	<u>Part No.</u>	<u>Circuit Symbol and No.</u>	<u>Part No.</u>
A:AVH-280BT/XNUC		MISCELLANEOUS	
B:AVH-280BT/XNEU5		IC 101 (B,54,64) Regulator IC	NJW4181U3-33B
C:AVH-285BT/XNRC		IC 111 (A,74,74) Regulator IC	NJW4184DL3-08A
D:AVH-285BT/XNRD		IC 151 (B,66,41) Regulator IC	S-1172B33-E6
E:AVH-285BT/XNRI		IC 161 (B,75,36) Regulator IC	MM3479A13P
F:AVH-289BT/XNID		IC 201 (A,70,24) Regulator IC	MM3479A33P
Unit Number : QWM4221(A)		IC 211 (B,34,66) Regulator IC	MM3571A33P
Unit Number : QWM4220(B)		IC 231 (B,134,73) IC	MM1856A50N
Unit Number : QWM4223(C)		IC 232 (B,40,25) IC	MM3411A33N
Unit Number : QWM4224(D)		IC 241 (B,48,25) Regulator IC	MM3479A18P
Unit Number : QWM4225(E)		IC 271 (B,159,14) IC	NJM2886DL3-05
Unit Number : QWM4226(F)		IC 301 (B,152,41) IC	AN33012UA
Unit Name : Mother Unit		*IC401 (A,49,46) Flash Blank UC IC	MN103LF15RXW
Unit Number : QWM4236(A,C,D,E,F)		IC 402 (A,52,64) Serial Flash Memory IC	MX25L1606EM2I-12G
Unit Number : QWM4234(B)		IC 601 (B,114,39) AUD DSP SYS LSI	SPHE8202GQ-HL11P
Unit Name : Monitor Key Unit		IC 701 (B,119,61) IC(A,B,C,D,E)	337S3959
Unit Number : QWM4234(B)		IC 721 (A,108,27) Flash ROM Unit(A)	CWJ1998
Unit Name : Relay Unit		IC 721 (A,108,27) Flash ROM Unit(B)	CWJ1997
		IC 721 (A,108,27) Flash ROM Unit(C)	CWJ2000
		IC 721 (A,108,27) Flash ROM Unit(D)	CWJ2001
		IC 721 (A,108,27) Flash ROM Unit(E)	CWJ2002
		IC 721 (A,108,27) Flash ROM Unit(F)	CWJ2003
		IC 741 (A,105,44) RAM IC	A3V28S40JTP-60
		IC 821 (B,129,22) Logic IC	74VHC4053AFT
		IC 822 (B,133,29) Logic IC	74VHC4053AFT
		IC 861 (B,96,19) IC	BA5839FP
		IC 1111 (A,131,78) IC	NJM2505AF
		IC 1112 (A,123,60) V AMP IC	BH7673G
		IC 1113 (A,126,78) IC	NJM2505AF
		IC 1131 (A,123,69) IC	NJM41050V
		IC 1132 (A,131,72) IC	NJM41010F1
Unit Number : QWM4221(A)		IC 1201 (B,88,74) IC	PM9012A
Unit Number : QWM4220(B)		IC 1251 (B,100,62) IC	NJM8065RB1
Unit Number : QWM4223(C)		IC 1252 (B,76,63) IC	NJM8065RB1
Unit Number : QWM4224(D)		IC 1301 (A,86,120) IC	PA2032A
Unit Number : QWM4225(E)		IC 2201 (A,17,78) IC	TEF6686HN
Unit Number : QWM4226(F)		IC 2401 (B,159,79) DC/DC CONV IC	AN33014UA
Unit Name : Mother Unit		Q 301 (A,158,45) Transistor	ATP112-H
		Q 302 (A,146,45) Transistor	ATP112-H

	1	2	3	4
	<u>Circuit Symbol and No.</u>	<u>Part No.</u>	<u>Circuit Symbol and No.</u>	<u>Part No.</u>
	Q 501 (A,12,40) Chip Transistor	HN1C03FU	L 601 (A,121,53) Inductor	LCTC2R2K1608
	Q 502 (A,22,45) Transistor	UMF5N		
A	Q 503 (A,22,40) Transistor	UMF5N	L 602 (A,84,23) Inductor	LCTC2R2K1608
	Q 601 (B,128,59) Transistor	EMD53	L 603 (A,87,22) Inductor	LCTC2R2K1608
	Q 602 (B,128,55) Transistor	EMH53	L 604 (A,90,24) Inductor	LCTC2R2K1608
	Q 701 (B,113,61) Transistor(A,B,C,D,E)	LSAR523UB	L 721 (A,102,27) Inductor	CTF1786
	Q 841 (B,116,13) Transistor	2SAR293PGZE	L 741 (A,106,31) Inductor	CTF1786
	Q 842 (B,123,13) Transistor	2SAR293PGZE	L 901 (A,146,61) Choke Coil 10 uH	CTH1486
	Q 843 (B,142,9) Transistor	LSCR523UB	L 902 (A,53,95) Choke Coil	CTH1621
	Q 844 (B,143,15) Transistor	LSCR523UB	L 2202 (A,13,95) Inductor	CTF1389
	Q 845 (B,136,15) Transistor	LSCR523UB	L 2204 (A,21,98) Inductor	LCMAR27J1608
	Q 846 (B,136,11) Transistor	LSCR523UB	L 2206 (A,13,89) Inductor	LCYC150K1608
	Q 910 (A,43,70) Chip Transistor	HN1C01FU	L 2401 (A,157,72) SMD SPL Inductor	CTH1524
B	Q 920 (B,41,64) Transistor	LTC014EEB	L 2402 (A,162,71) Inductor	CTF1793
	Q 930 (B,50,85) Transistor	LSCR523UB	L 3191 (B,151,89) Inductor	CTF1713
	Q 950 (B,34,75) Transistor	LSAR523UB	X 401 (A,31,46) Crystal Resonator 12.500 MHz	CSS1839
	Q 1251 (A,91,65) Transistor	LSCR523UB	X 601 (B,131,39) Resonator 27.000 MHz	CSS1768
	Q 1301 (A,70,86) Transistor	LSCR523UB	X 2201 (A,27,83) Crystal Resonator 9.216 MHz	CSS1867
	Q 1302 (B,69,84) Transistor	RN4987	△P303 (A,61,19) Fuse 750mA	CEK1398
	Q 1304 (B,73,86) Chip Transistor	RN1903	P 2202 (B,19,102) Surge Absorber	IMSA-6803-01Y900
	Q 3121 (A,28,59) Transistor(C,D,E,F)	EMD53	P 3121 (A,32,111) Poly Switch	FSMD075-24R
	Q 3122 (A,28,53) Transistor(C,D,E,F)	EMD53	P 3151 (B,122,87) Poly Switch	FSMD075-24R
	Q 3123 (A,32,59) Transistor(C,D,E,F)	EMD53	P 3161 (B,122,93) Poly Switch	FSMD075-24R
	Q 3124 (A,32,53) Transistor(C,D,E,F)	EMD53	BZ401 (A,20,60) Buzzer	CPV1062
C	Q 3161 (B,109,80) Transistor	EMH53	U 2901 (A,45,14) BT Module	CWX4772
	Q 3162 (B,102,80) Transistor	EMH53	CN801 (A,114,10) 30P Connector	VKN1620
	D 101 (A,64,86) Diode	D1F60-5053	CN2901 (A,45,14) B TO B Connector	CKS6346
	D 161 (B,74,47) Diode	D1F60-5053		
	D 162 (B,77,47) Diode	D1F60-5053	CN3201 (A,79,14) FFC/FPC Connector	CKS6672
	D 301 (A,156,36) Diode	RB056L-40	JA901 (A,52,120) Connector	CKM1613
	D 302 (A,147,36) Diode	RB056L-40	JA2201 (A,11,115) Antenna Jack	CKX1104
	D 402 (A,36,59) Schottky Diode	DB2J31400	JA3101 (A,139,116) Jack	CKN1106
	D 403 (B,45,60) Schottky Diode	DB2J31400	JA3122 (A,25,122) Jack	YKS5035
	D 501 (A,15,37) Rectifier Diode	DA2J101	JA3151 (A,152,114) Jack	CKB1117
	D 901 (A,145,67) Diode	RB080L-30	JA3161 (A,119,111) Jack	CKB1109
D	D 902 (A,65,104) Diode	D1F60-5053	JA3191 (A,165,97) Jack	CKN1118
	D 903 (A,65,107) Diode	D1F60-5053	VL2201 (A,18,90) Variable Coil	CTC1216
	D 911 (A,44,76) Diode	DZ2J062M0		
	D 912 (A,46,76) Diode	DZ2J068M0		
	D 920 (B,47,63) Rectifier Diode	DA2J101	RESISTORS	
	D 930 (B,53,85) Diode	DZ2J056M0	R 303 (B,158,37)	RS1/16SS511J
	D 940 (A,39,87) Diode	D1F60-5053	R 304 (B,159,37)	RS1/16SS2702D
	D 950 (B,35,79) Rectifier Diode	DA2J101	R 305 (B,160,39)	RS1/16SS1101D
D	D 1301 (A,65,79) Rectifier Diode	DA2J101	R 306 (B,160,37)	RS1/16SS2701D
	D 1302 (A,73,86) Diode	DAN202UM	R 307 (B,160,40)	RS1/16SS153J
E	D 1303 (A,67,85) Diode	DZ2J082M0	R 308 (B,154,35)	RS1/16SS103J
	D 1304 (B,65,85) Rectifier Diode	DA2J101	R 310 (B,155,47) 12 mohm	CCN1321
	D 2201 (A,13,99) Diode	EZAEG2A50AX	R 311 (B,156,35)	RS1/16SS204J
	D 2202 (A,22,99) Diode	EZAEG2A50AX	R 312 (B,157,35)	RS1/16SS394J
	D 2401 (A,148,73) Diode	D1F60-5053	R 313 (B,148,47) 12 mohm	CCN1321
	D 2402 (A,166,71) Diode	RB060M-30	R 314 (B,152,35)	RS1/16SS224J
	D 3101 (B,130,99) Diode	DZ2S068C	R 315 (B,145,41)	RS1/16SS123J
	D 3102 (B,137,95) Diode	DZ2S068C	R 316 (B,145,38)	RS1/16SS1002F
	D 3103 (B,132,97) Diode	DZ2S068C	R 317 (B,145,37)	RS1/16SS0R0J
	D 3123 (B,30,30) Diode	DZ2S068C	R 318 (B,145,40)	RS1/16SS3302D
	D 3124 (B,27,30) Diode	DZ2S068C		
F	D 3191 (B,156,90) Diode	EZAEG2A50AX	R 319 (B,143,39)	RS1/16SS561J
	D 3192 (B,156,88) Diode	EZAEG2A50AX	R 322 (A,72,42)	RS1/16SS473J
	L 301 (A,158,26) Inductor	CTH1254	R 323 (A,73,42)	RS1/16SS473J
	L 302 (A,145,26) Inductor	CTH1253	R 324 (A,158,6)	RS1/10SR0R0J
			R 401 (A,48,67)	RS1/16SS473J
			R 402 (A,54,60)	RS1/16SS473J
			R 403 (B,46,70)	RS1/16SS473J

5		6		7		8	
<u>Circuit Symbol and No.</u>		<u>Part No.</u>		<u>Circuit Symbol and No.</u>		<u>Part No.</u>	
R 406	(B,52,39)	RS1/16SS473J		R 505	(A,25,44)	RS1/16SS103J	
R 407	(B,48,38)	RS1/16SS473J		R 506	(A,25,46)	RS1/16SS103J	
R 408	(B,54,34)	RS1/16SS473J		R 507	(A,25,39)	RS1/16SS103J	
R 411	(A,33,46)	RS1/16SS0R0J		R 508	(A,25,41)	RS1/16SS103J	A
R 412	(A,39,59)	RS1/16SS473J		R 509	(A,20,44)	RS1/16SS105J	
R 413	(A,35,58)	RS1/16SS103J		R 510	(A,21,38)	RS1/16SS105J	
R 414	(A,34,39)	RS1/16SS102J		R 601	(B,104,30)	RS1/16SS221J	
R 415	(B,39,41)	RS1/16SS473J		R 602	(B,104,29)	RS1/16SS473J	
R 416	(B,33,40)	RS1/16SS104J		R 603	(B,102,30)	RS1/16SS103J	
R 417	(A,67,53) (C,D)	RS1/16SS104J		R 604	(B,104,31)	RS1/16SS103J	
R 418	(A,64,53) (B,E,F)	RS1/16SS104J		R 605	(B,102,31)	RS1/16SS103J	
R 419	(A,67,54) (D,F)	RS1/16SS104J		R 606	(A,102,30)	RS1/16SS473J	
R 420	(A,64,54) (B,C,E)	RS1/16SS104J		R 607	(A,103,32)	RS1/16SS221J	
R 421	(A,67,55)	RS1/16SS104J		R 608	(B,115,59)	RS1/16SS473J	B
R 423	(A,29,38)	RS1/16SS101J		R 609	(B,117,56)	RS1/16SS473J	
R 424	(A,45,32)	RS1/16SS101J		R 611	(A,122,49)	RS1/16SS1001D	
R 425	(A,47,32)	RS1/16SS101J		R 612	(A,121,51)	RS1/16SS3000D	
R 426	(B,54,39)	RS1/16SS101J		R 613	(A,80,23)	RS1/16SS0R0J	
R 427	(A,53,33)	RS1/16SS101J		R 616	(B,127,39)	RS1/16SS105J	
R 428	(A,55,32)	RS1/16SS561J		R 617	(B,126,38)	RS1/16SS152J	
R 429	(A,62,37)	RS1/16SS471J		R 618	(B,124,37)	RS1/16SS103J	
R 430	(A,63,49)	RS1/16SS101J		R 619	(A,120,32)	RS1/16SS0R0J	
R 431	(B,54,40)	RS1/16SS101J		R 620	(A,117,32)	RS1/16SS223J	
R 432	(A,64,36)	RS1/16SS822J		R 621	(A,116,31)	RS1/16SS223J	
R 433	(A,46,59)	RS1/16SS101J		R 622	(A,115,31)	RS1/16SS222J	C
R 434	(A,49,58)	RS1/16SS101J		R 623	(B,111,23)	RS1/16SS222J	
R 435	(A,58,62)	RS1/16SS101J		R 624	(B,108,21)	RS1/16SS103J	
R 436	(A,36,47)	RS1/16SS102J		R 625	(B,108,22)	RS1/16SS101J	
R 438	(A,34,38)	RS1/16SS473J		R 626	(B,109,23)	RS1/16SS101J	
R 439	(B,26,36)	RS1/16SS473J		R 627	(B,104,46)	RS1/16SS560J	
R 440	(B,35,36)	RS1/16SS473J		R 628	(B,107,24)	RS1/16SS472J	
R 441	(B,30,36)	RS1/16SS473J		R 631	(B,129,62)	RS1/16SS102J	
R 442	(B,18,39)	RS1/16SS102J		R 632	(B,126,60)	RS1/16SS471J	
R 443	(A,63,44)	RS1/16SS473J		R 633	(B,102,36)	RS1/16SS101J	
R 444	(A,63,43)	RS1/16SS473J		R 634	(B,102,37)	RS1/16SS101J	
R 445	(A,63,48)	RS1/16SS473J		R 635	(B,104,36)	RS1/16SS104J	D
R 446	(B,61,49)	RS1/16SS473J		R 636	(B,116,53)	RS1/16SS0R0J	
R 447	(B,59,67)	RS1/16SS473J		R 637	(B,125,50)	RS1/16SS821J	
R 448	(B,59,68)	RS1/16SS104J		R 638	(B,125,51)	RS1/16SS821J	
R 449	(B,43,53)	RS1/16SS471J		R 639	(B,131,60)	RS1/16SS223J	
R 450	(B,42,53)	RS1/16SS471J		R 640	(B,125,61)	RS1/16SS223J	
R 451	(B,46,53)	RS1/16SS472J		R 641	(A,83,25)	RS1/16SS3000D	
R 452	(B,46,52)	RS1/16SS472J		R 642	(A,86,25)	RS1/16SS3000D	
R 453	(B,44,60)	RS1/16SS103J		R 643	(A,90,26)	RS1/16SS3000D	
R 454	(B,44,47)	RS1/16SS473J		R 701	(B,113,58) (A,B,C,D,E)	RS1/16SS473J	
R 455	(B,49,61)	RS1/16SS473J		R 702	(B,113,59) (A,B,C,D,E)	RS1/16SS472J	
R 458	(B,59,42)	RS1/16SS473J		R 703	(B,118,59) (A,B,C,D,E)	RS1/16SS222J	E
R 460	(B,56,55)	RS1/16SS473J		R 704	(B,120,59) (A,B,C,D,E)	RS1/16SS222J	
R 461	(A,42,61)	RS1/16SS1002D		R 705	(B,115,62) (A,B,C,D,E)	RS1/16SS183J	
R 464	(A,67,52) (F)	RS1/16SS104J		R 706	(B,121,60) (A,B,C,D,E)	RS1/16SS101J	
R 465	(A,64,52) (A,B,C,D)	RS1/16SS104J		R 707	(B,115,57) (A,B,C,D,E)	RS1/16SS101J	
R 466	(B,44,55)	RS1/16SS0R0J		R 708	(B,116,59) (A,B,C,D,E)	RS1/16SS221J	
R 467	(B,46,55)	RS1/16SS183J		R 721	(B,105,26)	RS1/16SS101J	
R 468	(A,32,38)	RS1/16SS102J		R 722	(B,105,27)	RS1/16SS101J	
R 469	(A,47,62)	RS1/16SS473J		R 723	(A,103,29)	RS1/16SS473J	
R 470	(A,58,65)	RS1/16SS473J		R 724	(A,110,23)	RS1/16SS473J	
R 501	(A,12,38)	RS1/16SS102J		R 725	(A,106,23)	RS1/16SS473J	
R 502	(A,13,42)	RS1/16SS102J		R 726	(B,109,27)	RS1/16SS0R0J	F
R 503	(A,15,40)	RS1/16SS222J		R 727	(B,108,27)	RS1/16SS101J	
R 504	(A,9,41)	RS1/16SS222J		R 741	(A,94,36)	RAB4CQ330J	

	1	2	3	4
	<u>Circuit Symbol and No.</u>	<u>Part No.</u>	<u>Circuit Symbol and No.</u>	<u>Part No.</u>
	R 742 (A,94,41)	RAB4CQ330J	R 911 (A,44,72)	RS1/16SS103J
	R 746 (A,114,37)	RAB4CQ330J	R 913 (A,44,73)	RS1/16SS473J
	R 747 (A,115,41)	RAB4CQ330J	R 914 (A,44,80)	RS1/16SS472J
A	R 801 (A,112,21)	RS1/16SS561J	R 915 (A,46,72)	RS1/16SS104J
	R 802 (B,111,20)	RS1/16SS681J	R 916 (A,46,73)	RS1/16SS473J
	R 815 (B,126,16)	RS1/16SS105J	R 917 (A,41,81)	RS1/4SA102J
	R 816 (B,125,17)	RS1/16SS105J	R 920 (B,44,63)	RS1/16SS103J
	R 822 (A,115,15)	RS1/16SS0R0J	R 921 (B,46,65)	RS1/16SS472J
	R 823 (B,137,28)	RS1/16SS0R0J	R 922 (B,44,66)	RS1/4SA102J
	R 824 (B,128,18)	RS1/16SS0R0J	R 930 (B,52,84)	RS1/16SS473J
	R 825 (A,116,15)	RS1/16SS0R0J	R 931 (B,52,86)	RS1/16SS104J
	R 826 (B,134,25)	RS1/16SS0R0J	R 932 (B,55,84)	RS1/16SS472J
	R 827 (B,134,22)	RS1/16SS0R0J	R 933 (B,52,89)	RS1/4SA102J
B	R 841 (B,142,13)	RS1/16SS4300F	R 950 (B,35,72)	RS1/16SS102J
	R 842 (B,141,11)	RS1/16SS4300F	R 951 (B,36,74)	RS1/16SS473J
	R 843 (B,116,19)	RS1/16SS3R3J	R 952 (B,34,77)	RS1/16SS223J
	R 844 (B,121,21)	RS1/16SS3R3J	R 953 (B,34,80)	RS1/16SS103J
	R 845 (B,118,21)	RS1/10SR3R3J	R 1114 (B,137,89)	RS1/10SR101J
	R 846 (B,118,20)	RS1/10SR2R2J	R 1115 (B,135,89)	RS1/10SR101J
	R 847 (B,118,18)	RS1/10SR2R2J	R 1117 (B,128,89)	RS1/10SR101J
	R 848 (B,118,17)	RS1/10SR3R3J	R 1118 (B,126,89)	RS1/10SR101J
	R 849 (B,122,18)	RS1/10SR3R3J	R 1131 (A,125,75)	RS1/16SS0R0J
	R 850 (B,127,14)	RS1/10SR1R8J	R 1132 (A,124,63)	RS1/16SS0R0J
	R 851 (B,126,12)	RS1/10SR1R8J	R 1133 (A,130,75)	RS1/16SS0R0J
C	R 852 (B,128,12)	RS1/10SR3R3J	R 1134 (A,118,67)	RS1/16SS563J
	R 861 (B,90,10)	RS1/16SS163J	R 1135 (A,118,68)	RS1/16SS563J
	R 862 (B,90,11)	RS1/16SS183J	R 1136 (A,128,65)	RS1/16SS473J
	R 863 (B,92,10)	RS1/16SS822J	R 1139 (A,124,75)	RS1/16SS0R0J
	R 864 (B,92,12)	RS1/16SS752J	R 1140 (A,116,67)	RS1/16SS564J
	R 865 (B,98,12)	RS1/16SS221J	R 1141 (A,121,56)	RS1/16SS3000D
	R 866 (B,102,7)	RS1/16SS5102D	R 1142 (A,116,68)	RS1/16SS564J
	R 867 (B,104,9)	RS1/16SS5102D	R 1201 (B,94,78)	RS1/16SS221J
	R 868 (B,102,9)	RS1/8SQ1R0J	R 1202 (B,94,79)	RS1/16SS221J
	R 869 (B,102,11)	RS1/16SS0R0J	R 1203 (B,94,80)	RS1/16SS221J
	R 870 (B,103,11)	RS1/16SS0R0J	R 1205 (B,15,75)	RS1/10SR0R0J
D	R 871 (B,104,11)	RS1/16SS0R0J	R 1251 (A,91,62)	RS1/16SS471J
	R 872 (B,105,11)	RS1/16SS0R0J	R 1252 (A,87,66)	RS1/16SS103J
	R 873 (B,90,25)	RS1/16SS473J	R 1253 (A,91,66)	RS1/16SS682J
	R 874 (B,90,26)	RS1/16SS113J	R 1254 (B,104,59)	RS1/16SS113J
	R 875 (B,93,25)	RS1/16SS473J	R 1255 (B,104,60)	RS1/16SS102J
	R 876 (B,93,26)	RS1/16SS113J	R 1256 (B,106,60)	RS1/16SS183J
	R 877 (B,99,26)	RS1/16SS221J	R 1257 (B,107,64)	RS1/16SS113J
	R 878 (A,104,6)	RS1/16SS3902D	R 1258 (B,105,62)	RS1/16SS102J
	R 879 (B,101,6)	RS1/16SS3902D	R 1259 (B,105,63)	RS1/16SS183J
	R 880 (B,140,14)	RS1/16SS104J	R 1260 (B,95,59)	RS1/16SS102J
E	R 881 (B,139,14)	RS1/16SS0R0J	R 1261 (B,94,61)	RS1/16SS102J
	R 882 (B,138,9)	RS1/16SS0R0J	R 1262 (B,93,59)	RS1/16SS183J
	R 883 (B,140,16)	RS1/16SS5600F	R 1263 (B,94,62)	RS1/16SS183J
	R 884 (B,138,16)	RS1/16SS470J	R 1264 (B,95,58)	RS1/16SS113J
	R 885 (B,136,8)	RS1/16SS104J	R 1265 (B,92,62)	RS1/16SS113J
	R 886 (B,139,13)	RS1/16SS101J	R 1266 (B,83,61)	RS1/16SS113J
	R 887 (B,135,10)	RS1/16SS470J	R 1267 (B,81,61)	RS1/16SS102J
	R 888 (B,144,8)	RS1/16SS5100F	R 1268 (B,80,60)	RS1/16SS183J
	R 889 (B,138,11)	RS1/16SS121J	R 1269 (B,83,63)	RS1/16SS113J
	R 890 (B,134,16)	RS1/16SS104J	R 1270 (B,81,63)	RS1/16SS102J
	R 891 (B,135,13)	RS1/16SS104J	R 1271 (B,81,64)	RS1/16SS183J
F	R 892 (B,133,16)	RS1/16SS103J	R 1272 (B,71,61)	RS1/16SS102J
	R 893 (B,133,15)	RS1/16SS103J	R 1273 (B,71,62)	RS1/16SS102J
	R 894 (B,142,12)	RS1/16SS0R0J	R 1274 (B,71,60)	RS1/16SS183J
	R 895 (B,142,11)	RS1/16SS0R0J	R 1275 (B,71,63)	RS1/16SS183J

5		6		7		8	
<u>Circuit Symbol and No.</u>		<u>Part No.</u>		<u>Circuit Symbol and No.</u>		<u>Part No.</u>	
R 1276	(B,70,60)	RS1/16SS113J		R 3128	(A,34,56)	RS1/16SS1001D	
R 1277	(B,70,64)	RS1/16SS113J		R 3129	(A,30,58) (C,D,E,F)	RS1/16SS6800D	
R 1302	(A,64,81)	RS1/16SS103J		R 3130	(A,26,54) (C,D,E,F)	RS1/16SS6800D	
R 1303	(A,69,84)	RS1/16SS104J		R 3132	(A,30,54) (C,D,E,F)	RS1/16SS8201D	A
R 1304	(A,69,83)	RS1/16SS473J		R 3133	(A,33,56) (C,D,E,F)	RS1/16SS8201D	
R 1305	(B,66,86)	RS1/16SS102J		R 3151	(A,122,72)	RS1/16SS75R0D	
R 1307	(B,33,90)	RS1/16SS473J		R 3152	(B,140,91)	RS1/16SS750J	
R 1308	(B,34,90)	RS1/16SS102J		R 3161	(B,106,80)	RS1/16SS821J	
R 1309	(B,75,83)	RS1/16SS683J		R 3162	(B,107,82)	RS1/16SS223J	
R 1310	(B,75,87)	RS1/16SS683J		R 3164	(B,110,82)	RS1/16SS223J	
R 1311	(B,75,85)	RS1/16SS152J		R 3166	(B,111,80)	RS1/16SS821J	
R 1312	(A,37,47)	RS1/16SS103J		R 3167	(B,99,80)	RS1/16SS821J	
R 1313	(B,76,84)	RS1/16SS101J		R 3168	(B,100,82)	RS1/16SS223J	
R 1314	(B,42,47)	RS1/16SS0R0J		R 3171	(B,103,82)	RS1/16SS223J	B
R 2201	(A,35,94)	RS1/10SR0R0J		R 3172	(B,104,80)	RS1/16SS821J	
R 2202	(A,22,74)	RS1/16SS101J		CAPACITORS			
R 2203	(A,11,98)	RS1/16SS105J		C 114	(A,54,73)	CEAT471M16	
R 2204	(A,11,97)	RS1/16SS105J		C 114	(A,18,23)	CEAT471M16	
R 2205	(A,11,89)	RS1/16SS391J		C 115	(B,51,65)	CKSRYB104K50	
R 2211	(A,25,77)	RS1/16SS103J		C 117	(B,54,60) 47 uF	CCG1251	
R 2212	(A,24,77)	RS1/16SS103J		C 121	(A,75,82) 10 uF	CCG1393	
R 2216	(A,21,74)	RS1/16SS101J		C 123	(A,69,80) 4.7 uF	CCG1201	
R 2220	(A,22,71)	RS1/16SS472J		C 155	(B,67,46) 4.7 uF	CCG1201	
R 2221	(A,21,71)	RS1/16SS472J		C 157	(B,67,36) 4.7 uF	CCG1201	C
R 2222	(B,30,65)	RS1/10SR0R0J		C 160	(A,99,26) 10 uF	CCG1244	
R 2225	(B,18,75)	RS1/10SR0R0J		C 165	(B,75,40) 1 uF	DCH1246	
R 2401	(B,156,84)	RS1/16SS152J		C 167	(B,75,33) 1 uF	DCH1246	
R 2402	(A,163,90)	RS1/10SR471J		C 168	(B,71,38)	CKSSYB104K10	
R 2403	(B,156,85)	RS1/16SS3302D		C 201	(A,74,26)	CKSSYB104K10	
R 2404	(B,154,85)	RS1/16SS0R0J		C 203	(A,69,30) 1 uF	DCH1246	
R 2405	(B,152,84)	RS1/16SS0R0J		C 205	(A,71,21) 1 uF	DCH1246	
R 2406	(B,151,84)	RS1/16SS8201D		C 211	(B,34,63)	CKSRYB474K10	
R 2407	(A,163,92)	RS1/10SR471J		C 212	(B,34,70)	CKSRYB474K10	
R 2408	(A,163,87)	RS1/10SR471J		C 233	(B,135,76)	CKSSYB104K10	
R 2409	(A,163,89)	RS1/10SR471J		C 234	(B,135,71)	CKSSYB104K10	D
R 2410	(B,152,83)	RS1/16SS102J		C 237	(B,40,28)	CKSRYB474K10	
R 2411	(B,153,78)	RS1/16SS0R0J		C 238	(B,40,22)	CKSRYB474K10	
R 2412	(A,157,76) 56 mohm	ACN7160		C 241	(B,52,27) 1 uF	DCH1246	
R 2413	(B,161,84)	RS1/16SS204J		C 242	(B,52,24) 1 uF	DCH1246	
R 2415	(B,163,84)	RS1/16SS394J		C 243	(B,44,26)	CKSSYB104K10	
R 2417	(B,165,82)	RS1/16SS224J		C 274	(B,151,15) 2.2 uF	CCG1218	
R 2418	(B,167,79)	RS1/16SS4702D		C 275	(B,151,12)	CKSRYB105K16	
R 2419	(B,165,80)	RS1/16SS104J		C 301	(A,155,10)	CKSSYB102K50	
R 2901	(B,46,20)	RS1/16SS102J		C 302	(A,155,9)	CKSSYB104K10	
R 2904	(A,44,23)	RS1/16SS102J		C 303	(A,156,14) 10 uF	CCG1192	
R 2906	(A,38,17)	RS1/16SS101J		C 304	(A,156,12) 10 uF	CCG1192	E
R 2908	(B,28,25)	RS1/16SS0R0J		C 305	(A,155,17) 47 uF	CCG1233	
R 2909	(B,29,24)	RS1/16SS0R0J		C 308	(B,152,49)	CKSRYB102K50	
R 2910	(A,49,6)	RS1/16SS102J		C 309	(B,158,39)	CCSSCH561J50	
R 2911	(A,49,7)	RS1/16SS102J		C 311	(B,159,52) 10 uF	CCG1236	
R 2912	(B,27,20)	RS1/16SS222J		C 312	(B,153,35)	CKSSYB104K10	
R 2913	(B,31,22)	RS1/16SS222J		C 313	(B,157,52) 10 uF	CCG1236	
R 2914	(B,32,20)	RS1/16SS0R0J		C 314	(B,160,41)	CKSSYB103K16	
R 3102	(B,96,65)	RS1/10SR331J		C 315	(B,161,52) 10 uF	CCG1236	
R 3103	(B,130,89)	RS1/10SR101J		C 316	(B,158,41)	CCSSCH8R0D50	
R 3104	(B,133,89)	RS1/10SR101J		C 317	(B,160,42)	CKSSYB104K16	F
R 3106	(B,131,87)	RS1/16SS223J		C 318	(B,146,43)	CKSSYB104K16	
R 3107	(B,133,87)	RS1/16SS223J		C 319	(B,146,41)	CCSSCH8R0D50	
R 3108	(B,128,94)	RS1/16SS750J					
R 3127	(A,36,56)	RS1/16SS1001D					

	1	2	3	4
	<u>Circuit Symbol and No.</u>	<u>Part No.</u>	<u>Circuit Symbol and No.</u>	<u>Part No.</u>
	C 320 (B,145,42)	CKSSYB103K16	C 631 (B,128,39)	CCSSCH120J50
	C 321 (B,151,35)	CKSSYB104K10	C 632 (B,134,39)	CCSSCH120J50
	C 322 (B,146,39)	CKSRYB105K10	C 633 (A,121,39)	CKSSYB104K10
A	C 323 (B,145,39)	CKSSYB471K50	C 634 (A,118,38)	CKSSYB104K10
	C 326 (A,147,17) 47 uF	CCG1233	C 635 (A,122,34)	CKSSYB103K16
	C 327 (A,147,14) 10 uF	CCG1192	C 636 (A,122,33)	CKSSYB103K16
	C 328 (A,147,12) 10 uF	CCG1192	C 637 (A,122,32)	CKSSYB104K10
	C 329 (A,148,10)	CKSSYB104K10	C 638 (B,126,37)	CKSSYB104K10
	C 330 (A,148,9)	CKSSYB102K50	C 639 (B,120,24)	CKSSYB104K10
	C 332 (A,165,32) 10 uF	CCG1192	C 640 (B,120,22)	CKSSYB103K16
	C 401 (B,49,63)	CKSSYB104K10	C 641 (B,120,23)	CKSSYB103K16
	C 402 (A,35,56) (C,D,E,F)	CKSSYB104K10	C 642 (B,113,24)	CKSSYB104K10
	C 403 (B,46,58) (C,D,E,F)	CKSSYB104K10	C 643 (B,113,25)	CKSSYB103K16
	C 405 (A,36,42)	CKSSYB104K10	C 644 (B,113,26)	CKSSYB103K16
B	C 406 (A,56,33)	CKSSYB104K10	C 645 (B,119,26) 4.7 uF	CCG1201
	C 407 (A,62,46)	CKSSYB104K10	C 646 (B,119,24)	CKSSYB104K10
	C 408 (A,44,58)	CKSSYB104K10	C 647 (B,115,26) 4.7 uF	CCG1201
	C 409 (A,40,59)	CKSSYB104K10	C 648 (B,116,24)	CKSSYB104K10
	C 410 (A,31,48)	CCSSCH8R0D50	C 649 (A,117,29)	CKSSYB102K50
	C 411 (A,33,44)	CCSSCH100D50	C 650 (A,116,29)	CKSSYB102K50
	C 413 (A,33,41)	CKSSYB104K10	C 651 (A,115,29)	CKSSYB104K10
	C 415 (A,35,40)	CKSSYB104K10	C 652 (B,112,21)	CKSSYB104K10
	C 420 (A,49,60)	CKSSYB104K10	C 653 (B,129,52) 4.7 uF	CCG1201
	C 424 (A,57,30)	CKSRYB103K50	C 654 (B,126,53) 4.7 uF	CCG1201
C	C 425 (A,44,61)	CKSSYB103K16	C 655 (A,83,26)	CCSSCH220J50
	C 426 (A,35,38)	CKSSYB104K10	C 656 (A,86,24)	CCSSCH220J50
	C 427 (B,64,62)	CKSRYB104K16	C 657 (A,90,27)	CCSSCH220J50
	C 428 (A,35,52)	CKSSYB102K50	C 658 (A,105,5)	CKSSYB102K50
	C 501 (A,13,43)	CKSSYB473K16	C 659 (A,111,5)	CKSSYB102K50
	C 502 (A,25,43)	CKSSYB104K10	C 701 (B,116,62) (A,B,C,D,E)	CKSSYB104K10
	C 503 (A,19,44)	CKSSYB102K50	C 702 (B,116,61) (A,B,C,D,E)	CKSSYB102K50
	C 504 (A,21,37)	CKSSYB102K50	C 721 (A,103,25)	CKSSYB104K10
	C 505 (A,13,38)	CKSSYB473K16	C 741 (A,97,37)	CKSSYB104K10
	C 601 (B,104,33)	CKSSYB104K10	C 742 (A,97,42)	CKSSYB104K10
D	C 602 (B,103,33)	CKSSYB104K10	C 743 (A,108,31)	CKSSYB104K10
	C 603 (A,105,32)	CKSSYB103K16	C 744 (A,109,32)	CKSSYB104K10
	C 604 (B,99,36)	CKSSYB104K10	C 745 (A,113,40)	CKSSYB104K10
	C 605 (B,98,36)	CKSSYB104K10	C 746 (A,113,44)	CKSSYB104K10
	C 607 (B,103,47)	CKSSYB104K10	C 747 (A,112,56)	CKSSYB104K10
	C 608 (B,102,47)	CKSSYB104K10	C 801 (A,113,14)	CKSSYB103K16
	C 609 (B,121,55)	CKSSYB104K10	C 802 (A,114,5)	CKSSYB103K16
	C 610 (B,119,54) 10 uF	CCG1192	C 803 (A,119,26)	CKSRYB224K16
	C 611 (B,121,53)	CKSSYB104K10	C 804 (A,120,26)	CKSRYB224K16
	C 612 (B,122,53)	CKSSYB104K10	C 821 (B,127,31)	CKSSYB104K10
	C 613 (A,121,55)	CCSSCH180J50	C 822 (B,127,26)	CKSSYB104K10
	C 614 (A,121,50)	CCSSCH150J50	C 823 (B,125,35)	CKSSYB104K10
E	C 615 (A,83,21)	CCSSCH101J50	C 841 (B,114,22) 10 uF	CCG1192
	C 616 (A,100,30)	CKSSYB104K10	C 842 (B,114,18) 22 uF	DCH1256
	C 617 (A,86,21)	CCSSCH101J50	C 843 (B,120,18) 22 uF	DCH1256
	C 619 (A,90,22)	CCSSCH101J50	C 844 (B,115,17)	CKSSYB104K16
	C 621 (A,122,53)	CCSSCH150J50	C 845 (B,122,21)	CKSSYB104K16
	C 622 (A,83,23)	CCSSCH150J50	C 861 (A,101,20)	CEVW101M16
	C 623 (A,86,22)	CCSSCH150J50	C 862 (A,109,19) 4.7 uF	CCG1222
	C 624 (A,89,24)	CCSSCH150J50	C 863 (A,107,19) 10 uF	CCG1236
	C 625 (B,125,49)	CKSRYB105K10	C 864 (A,111,18)	CKSSYB104K16
	C 626 (B,124,47)	CKSSYB104K10	C 865 (B,90,12)	CKSSYB473K16
F	C 627 (B,125,46)	CKSSYB104K10	C 866 (B,92,13)	CKSSYB224K6R3
	C 628 (A,119,39)	CKSSYB104K10	C 867 (B,102,13)	CKSSYB104K16
	C 629 (A,119,40)	CKSSYB104K10	C 868 (B,104,13)	CKSSYB104K16
	C 630 (A,121,41)	CKSSYB104K10	C 869 (B,88,13)	CKSSYB104K16

5		6	7		8
<u>Circuit Symbol and No.</u>		<u>Part No.</u>	<u>Circuit Symbol and No.</u>		<u>Part No.</u>
C 870	(B,100,13)	CKSSYB104K16	C 1265	(B,93,61)	CKSSYB122K50
C 871	(B,101,26)	CKSSYB104K16	C 1266	(B,89,63) 10 uF	CCG1192
C 902	(B,154,52) 10 uF	CCG1236	C 1267	(B,98,59) 10 uF	CCG1192
C 903	(A,159,61) 2 200 uF/16 V	CCH1405	C 1269	(B,80,61)	CCSSCH221J50
C 920	(B,42,64)	CKSRYB105K16	C 1270	(B,80,63)	CCSSCH221J50
C 930	(B,55,83)	CKSSYB102K50	C 1271	(B,85,63) 10 uF	CCG1192
C 940	(A,41,85)	CKSRYB103K50	C 1272	(B,82,61)	CKSSYB122K50
C 1111	(A,132,75)	CKSSYB104K10	C 1273	(B,85,61) 10 uF	CCG1192
C 1112	(A,122,62)	CKSSYB104K10	C 1274	(B,73,61)	CCSSCH221J50
C 1113	(A,126,75)	CKSSYB104K10	C 1275	(B,73,63)	CCSSCH221J50
C 1114	(A,134,76) 10 uF	CCG1192	C 1276	(B,70,62)	CKSSYB122K50
C 1115	(A,120,63) 10 uF	CCG1192	C 1277	(B,68,63) 10 uF	CCG1192
C 1116	(A,127,73) 10 uF	CCG1192	C 1278	(B,68,60) 10 uF	CCG1192
C 1117	(A,125,82) 4.7 uF	CCG1201	C 1305	(A,65,76) 10 uF	CCG1192
C 1118	(A,125,57) 4.7 uF	CCG1201	C 1306	(A,65,67)	CEVW101M16
C 1119	(A,130,82) 4.7 uF	CCG1201	C 1307	(B,76,86) 4.7 uF	CCG1201
C 1120	(A,127,82) 4.7 uF	CCG1201	C 1309	(A,86,104)	CKSRYB474K10
C 1121	(A,121,57) 4.7 uF	CCG1201	C 1310	(A,83,104)	CKSRYB474K10
C 1122	(A,132,82) 4.7 uF	CCG1201	C 1311	(A,91,104)	CKSRYB474K10
C 1131	(A,116,71)	CKSSYB104K10	C 1312	(A,88,104)	CKSRYB474K10
C 1132	(A,118,71) 10 uF	CCG1192	C 1313	(B,78,107)	CKSSYB104K16
C 1133	(A,116,66)	CKSSYB104K10	C 1314	(B,76,106) 10 uF/16 V	DCH1263
C 1134	(A,116,69) 1 uF	DCH1246	C 1315	(B,97,106) 2.2 uF	CCG1218
C 1135	(A,124,65)	CKSSYB104K10	C 1319	(A,69,95)	XCEHAT332M16
C 1136	(A,125,73)	CKSSYB104K10	C 1320	(B,73,105)	CKSRYB104K50
C 1137	(A,134,73)	CKSSYB104K10	C 2202	(A,13,97)	CKSSYB471K50
C 1138	(A,136,72) 10 uF	CCG1192	C 2203	(A,17,97)	CCSSCH820J50
C 1139	(A,130,74)	CKSSYB104K10	C 2204	(A,20,97)	CCSSCH220J50
C 1140	(A,129,72)	CKSSYB104K10	C 2209	(A,20,99)	CCSSCH100D50
C 1201	(B,80,71)	CKSRYB105K10	C 2211	(A,13,86)	CKSSYB102K50
C 1202	(B,96,72)	CKSRYB105K10	C 2213	(A,18,84)	CKSSYB102K50
C 1203	(B,96,71)	CKSRYB105K10	C 2217	(A,21,82)	CKSSYB104K10
C 1204	(B,96,69)	CKSRYB105K10	C 2218	(A,20,82)	CKSSYB224K6R3
C 1205	(B,96,66)	CKSRYB105K10	C 2219	(A,15,84)	CKSSYB104K10
C 1206	(B,94,65)	CKSRYB105K10	C 2223	(A,13,79)	CKSSYB152K50
C 1207	(B,80,65)	CKSRYB105K10	C 2226	(B,30,78)	CKSRYB105K10
C 1208	(B,80,68)	CKSRYB105K10	C 2227	(A,18,74)	CKSSYB104K10
C 1209	(B,80,69)	CKSRYB105K10	C 2228	(A,22,80)	CCSSCH390J50
C 1210	(A,101,61)	CKSSYB104K10	C 2229	(A,33,66)	CKSRYB104K16
C 1211	(A,89,61)	CKSSYB104K10	C 2230	(A,165,4)	CKSRYB102K50
C 1212	(A,75,62)	CKSSYB104K10	C 2231	(A,150,97)	CKSRYB104K16
C 1215	(B,80,77) 10 uF	CCG1192	C 2401	(A,151,85)	CEVW101M16
C 1216	(B,82,78)	CKSSYB104K16	C 2402	(A,153,78) 10 uF	CCG1236
C 1219	(B,88,83) 10 uF	CCG1192	C 2403	(B,154,84)	CKSSYB222K50
C 1220	(B,86,83) 10 uF	CCG1192	C 2405	(B,153,82)	CCSSCH270J50
C 1222	(B,80,72)	CKSRYB105K10	C 2406	(B,152,82)	CKSSYB472K50
C 1224	(B,96,74)	CKSRYB105K10	C 2407	(A,165,83)	CEVW101M16
C 1226	(B,80,66)	CKSRYB105K10	C 2408	(A,158,79)	CKSSYB104K16
C 1227	(B,96,68)	CKSRYB105K10	C 2409	(B,153,80)	CKSRYB104K50
C 1252	(B,71,70) 10 uF	CCG1192	C 2410	(A,156,79) 22 uF	DCH1256
C 1253	(A,91,61)	CKSSYB104K10	C 2411	(B,162,85)	CKSRYB105K10
C 1256	(A,93,71)	CEVW101M16	C 2413	(B,164,76)	CKSSYB104K16
C 1257	(A,88,66) 10 uF	CCG1192	C 2414	(B,165,78)	CKSSYB104K16
C 1258	(B,104,61)	CCSSCH221J50	C 2415	(B,165,81)	CKSSYB102K50
C 1259	(B,104,62)	CCSSCH221J50	C 2416	(B,165,83)	CKSSYB472K25
C 1260	(B,104,64) 10 uF	CCG1192	C 2902	(A,42,20) 4.7 uF	CCG1201
C 1261	(B,107,62)	CKSSYB122K50	C 2904	(A,48,20) 4.7 uF	CCG1201
C 1262	(B,101,59) 10 uF	CCG1192	C 2905	(A,44,20)	CKSSYB104K10
C 1263	(B,95,60)	CCSSCH221J50	C 2906	(A,44,22)	CKSSYB104K10
C 1264	(B,96,62)	CCSSCH221J50	C 2907	(A,23,23)	CEVW221M4

1

2

3

4

Circuit Symbol and No.**Part No.****Circuit Symbol and No.****Part No.**

C 2909 (B,28,21) CKSRYB105K10
 C 3101 (B,127,99) CKSRYB104K16
 C 3102 (B,134,95) CKSRYB104K16
 C 3123 (B,27,27) CKSSYB102K50

L 5403 (B,64,39) Inductor CTF1547
 L 5404 (B,73,37) Inductor CTF1547
 L 5405 (A,71,69) Inductor CTF1547
 TH5001 (A,109,13) Thermistor CCX1084
 X 5401 (A,68,50) Resonator 27.000 MHz CSS1768
 S 5601 (A,14,94) Push Switch CSG1155

C 3124 (B,30,27) CKSSYB102K50
 C 3125 (A,34,59) (C,D,E,F) CKSSYB104K10
 C 3126 (B,30,105) CKSRYB104K16
 C 3151 (A,117,77) CEVW471M10
 C 3152 (B,147,94) CKSRYB102K50

S 5602 (A,24,95) Push Switch CSG1155
 S 5603 (A,10,52) Push Switch CSG1155
 S 5604 (A,10,78) Push Switch CSG1155
 S 5605 (A,10,70) Push Switch CSG1155
 S 5606 (A,10,21) Push Switch CSG1155

C 3153 (B,139,92) CKSRYB104K16
 C 3161 (B,106,77) 4.7 uF CCG1201
 C 3164 (B,111,77) 4.7 uF CCG1201
 C 3165 (B,99,77) 4.7 uF CCG1201
 C 3169 (B,104,77) 4.7 uF CCG1201

S 5607 (A,10,13) Push Switch CSG1155
 S 5608 (A,10,39) Push Switch CSG1155
 S 5609 (A,13,45) Push Switch CSG1155
 CN5001 (A,120,13) Connector CKS6625
 CN5002 (A,138,19) Connector CKS4428

C 3170 (B,123,99) CKSRYB104K16
 C 3171 (B,122,96) CKSRYB104K16
 C 3191 (A,163,93) CKSRYB104K16
 C 3192 (A,80,29) CKSRYB102K50
 C 3193 (A,87,29) CKSRYB102K50

CN5003 (A,96,65) Connector CKS6672
 CN5004 (A,120,38) Connector CKS6063
 CN5301 (A,37,37) Connector CKS6672
 CN5601 (B,13,43) Connector CKS6063

C 3201 (A,81,20) CKSSYB104K10
 C 3202 (A,77,20) CKSSYB104K10
 C 3203 (A,65,18) CKSSYB104K10
 C 3204 (A,89,19) 10 uF CCG1234

RESISTORS

R 5001 (B,113,49) RS1/16SS101J
 R 5002 (A,125,20) RS1/16SS0R0J
 R 5003 (A,121,20) RS1/16SS0R0J
 R 5004 (A,120,20) RS1/16SS0R0J
 R 5005 (A,116,20) RS1/16SS0R0J

R 5006 (A,104,50) RS1/16SS221J
 R 5009 (A,105,50) RS1/16SS472J
 R 5017 (A,90,71) RS1/16SS0R0J
 R 5018 (B,97,35) RS1/16SS0R0J
 R 5019 (A,90,72) RS1/16SS0R0J

R 5102 (B,137,61) RS1/16SS102J
 R 5103 (A,130,55) RS1/16SS0R0J
 R 5104 (B,137,58) RS1/16SS104J
 R 5105 (B,133,54) RS1/16SS104J
 R 5106 (B,130,58) RS1/16SS102J

R 5107 (A,132,52) RS1/16SS223J
 R 5108 (A,133,50) RS1/16SS563J
 R 5109 (A,137,50) RS1/16SS104J
 R 5110 (A,138,50) RS1/16SS0R0J
 R 5111 (A,140,59) RS1/16SS102J

R 5112 (A,140,58) RS1/16SS2702D
 R 5113 (A,142,58) RS1/16SS3901D
 R 5118 (B,139,61) RS1/16SS1004D
 R 5119 (B,139,60) RS1/16SS0R0J
 R 5120 (B,140,59) RS1/16SS1503D

R 5122 (A,133,58) RS1/8SQ2R2J
 R 5201 (A,35,70) RS1/16SS8201D
 R 5202 (A,35,68) RS1/16SS6800D
 R 5203 (A,36,69) RS1/16SS1502D
 R 5205 (A,37,58) RS1/16SS0R0J

R 5206 (B,26,65) RS1/16SS9102D
 R 5207 (B,34,68) RS1/16SS1802D
 R 5208 (B,35,66) RS1/16SS203J
 R 5209 (B,36,63) RS1/16SS104J
 R 5210 (A,27,64) RS1/16SS103J

R 5211 (A,38,66) RS1/16SS472J
 R 5212 (B,31,68) RS1/16SS1003D

Monitor Key Unit**Consists of****Monitor PCB****Key PCB****BD****Unit Number: QWM4236(A,C,D,E,F)****Unit Number: QWM4234(B)****Unit Name : Monitor Key Unit****MISCELLANEOUS**

IC 5001 (A,64,66) Regulator IC MM3571A18P
 IC 5101 (A,136,55) Display IC OZ527ILN
 IC 5201 (A,32,64) DC/DC CONV IC R1290K103A
 IC 5401 (A,69,57) Flash ROM Unit CWJ2031
 IC 5402 (A,71,38) Display IC TW8832SAT-LB1-GRSH

IC 5601 (A,7,93) IR RC Rec Module PNJ4833M
 Q 5001 (A,105,47) Transistor LSCR523UB
 Q 5201 (A,37,71) Transistor LTC024EEB
 Q 5202 (A,25,66) Transistor 2SAR502UB
 Q 5301 (A,26,50) Transistor LSAR523UB

Q 5302 (A,29,46) Transistor LSCR523UB
 D 5101 (A,115,65) Diode CRG03
 D 5102 (A,134,62) Diode RB060M-30
 D 5103 (A,115,60) Diode CRG03
 D 5201 (A,28,57) Schottky Diode DB2J41100

D 5202 (B,26,73) Schottky Diode DB3S308F0
 D 5203 (B,29,73) Schottky Diode DB3S308F0
 D 5204 (B,24,69) Schottky Diode DB3S308F0
 D 5601 (A,4,45) Blue LED(A,C,D,E,F) FM-3528BK-470M
 D 5601 (A,4,45) Red LED(B) FM-3528SXX620H08

L 5101 (A,130,63) Inductor ATH7068
 L 5201 (A,27,61) Choke Coil 22 uH CTH1426
 L 5301 (A,35,53) Inductor CTF1765
 L 5402 (B,73,36) Inductor CTF1547

1

2

3

4

5		6		7		8		
<u>Circuit Symbol and No.</u>		<u>Part No.</u>	<u>Circuit Symbol and No.</u>		<u>Part No.</u>			
R 5213	(B,32,69)	RS1/16SS9101D	R 5414	(A,64,57)	RS1/16SS473J			
R 5214	(A,26,57)	RS1/10SR2R2J	R 5415	(A,74,54)	RS1/16SS473J			
R 5216	(A,37,60)	RS1/16SS1203D	R 5416	(B,66,57)	RS1/16SS473J			
R 5217	(A,37,62)	RS1/16SS3001D	R 5417	(A,75,48)	RS1/16SS330J	A		
R 5218	(A,39,62)	RS1/16SS1502D	R 5418	(A,66,45)	RS1/16SS330J			
R 5219	(A,36,60)	RS1/16SS472J	R 5419	(A,71,48)	RS1/16SS330J			
R 5220	(A,33,58)	RS1/16SS0R0J	R 5420	(A,78,50)	RS1/16SS101J			
R 5301	(A,20,50)	RS1/8SQ0R0J	R 5421	(A,77,48)	RS1/16SS0R0J			
R 5302	(A,13,48)	RS1/16SS3R9J	R 5422	(A,76,50)	RS1/16SS0R0J	■		
R 5303	(A,15,48)	RS1/16SS270J	R 5423	(A,67,47)	RS1/16SS152J			
R 5304	(A,15,46)	RS1/16SS221J	R 5424	(A,68,47)	RS1/16SS105J			
R 5305	(A,16,45)	RS1/16SS750J	R 5425	(A,60,37)	RAB4CQ221J			
R 5306	(A,15,44)	RS1/16SS560J	R 5426	(A,60,34)	RAB4CQ221J			
R 5307	(A,16,43)	RS1/16SS0R0J	R 5427	(A,65,29)	RAB4CQ221J	B		
R 5308	(A,15,42)	RS1/16SS510J	R 5428	(A,69,28)	RAB4CQ221J			
R 5309	(A,16,42)	RS1/16SS0R0J	R 5429	(A,72,28)	RAB4CQ221J			
R 5310	(A,15,41)	RS1/16SS151J	R 5430	(B,83,36)	RS1/16SS3000D			
R 5311	(A,16,40)	RS1/16SS270J	R 5431	(B,83,37)	RS1/16SS3000D			
R 5312	(A,15,39)	RS1/16SS131J	R 5432	(A,86,36)	RS1/16SS0R0J	■		
R 5313	(A,16,38)	RS1/16SS131J	R 5433	(A,86,37)	RS1/16SS0R0J	■		
R 5314	(A,15,37)	RS1/16SS151J	R 5434	(B,83,34)	RS1/16SS151J			
R 5315	(A,16,36)	RS1/16SS240J	R 5435	(B,83,35)	RS1/16SS3000D			
R 5316	(A,15,35)	RS1/16SS330J	R 5436	(A,86,34)	RS1/16SS151J			
R 5317	(A,16,34)	RS1/16SS270J	R 5437	(A,86,35)	RS1/16SS0R0J	C		
R 5318	(A,15,33)	RS1/16SS510J	R 5501	(A,86,33)	RS1/16SS0R0J			
R 5319	(A,16,33)	RS1/16SS220J	R 5518	(A,88,47)	RS1/16SS0R0J			
R 5320	(A,15,32)	RS1/16SS151J	R 5519	(A,91,47)	RS1/16SS0R0J			
R 5321	(A,16,31)	RS1/16SS151J	R 5520	(A,93,47)	RS1/16SS0R0J			
R 5322	(A,15,30)	RS1/16SS330J	R 5522	(A,96,47)	RS1/16SS0R0J	■		
R 5323	(A,13,29)	RS1/16SS1R0J	R 5601	(B,6,78)	RS1/16SS101J			
R 5324	(B,31,40)	RS1/16SS473J	R 5602	(B,11,78)	RS1/16SS470J	■		
R 5325	(B,38,36)	RS1/16SS473J	R 5603	(A,14,41)	RS1/16SS392J			
R 5327	(B,55,44)	RS1/10SR0R0J	R 5604	(A,14,25)	RS1/16SS472J			
R 5328	(A,22,50)	RS1/8SQ0R0J	R 5605	(A,14,23)	RS1/16SS123J			
R 5329	(A,30,51)	RS1/16SS153J	R 5606	(A,14,78)	RS1/16SS182J			
R 5331	(A,27,52)	RS1/16SS105J	R 5607	(A,14,80)	RS1/16SS222J	D		
R 5333	(A,28,49)	RS1/16SS153J	R 5608	(A,14,83)	RS1/16SS472J			
R 5334	(A,27,45)	RS1/16SS472J	<u>CAPACITORS</u>					
R 5335	(A,28,43)	RS1/16SS101J	C 5008	(A,111,13)	CKSSYB104K10			
R 5337	(A,32,52)	RS1/8SQ0R0J	C 5010	(A,63,62)	CKSSYB474K6R3	■		
R 5338	(A,29,48)	RS1/16SS273J	C 5011	(A,63,69)	CKSSYB474K6R3			
R 5339	(A,26,48)	RS1/16SS474J	C 5012	(A,112,42)	CKSSYB104K10			
R 5340	(A,39,43)	RS1/16SS0R0J	C 5101	(A,135,65)	CKSSYB102K50			
R 5341	(A,41,44)	RS1/16SS0R0J	C 5105	(A,115,55) 10 uF	CCG1236			
R 5342	(B,33,36)	RS1/16SS473J	C 5106	(A,132,53)	CKSRYB105K16	E		
R 5343	(B,37,36)	RS1/16SS473J	C 5107	(A,131,56)	CKSRYB105K16			
R 5344	(B,36,36)	RS1/16SS473J	C 5108	(A,125,61)	CKSRYB104K16			
R 5345	(B,35,40)	RS1/16SS473J	C 5109	(A,134,50)	CKSRYB105K16			
R 5346	(A,55,43)	RS1/10SR0R0J	C 5110	(A,136,50)	CCSSCH101J50	■		
R 5401	(B,76,49)	RS1/16SS472J	C 5112	(A,139,62) 10 uF	CCG1236			
R 5402	(B,77,49)	RS1/16SS472J	C 5114	(A,142,59)	CKSRYB224K16	■		
R 5403	(A,60,40)	RAB4CQ221J	C 5118	(A,130,59)	CKSSYB332K50			
R 5405	(B,61,41)	RS1/16SS470J	C 5201	(A,39,67)	CKSSYB224K6R3			
R 5407	(A,75,58)	RS1/16SS473J	C 5203	(A,40,70)	CKSRYB105K10	F		
R 5408	(A,78,47)	RS1/16SS104J	C 5204	(A,39,68)	CKSSYB224K6R3			
R 5409	(A,74,50)	RS1/16SS330J	C 5205	(A,32,70)	CKSRYB224K16			
R 5410	(A,74,48)	RS1/16SS330J	C 5206	(A,26,56)	CKSSYB472K50			
R 5411	(A,73,50)	RS1/16SS330J	C 5207	(A,33,60)	CKSSYB102K50			
R 5412	(A,72,48)	RS1/16SS330J						
R 5413	(B,69,59)	RS1/16SS473J						

1

Circuit Symbol and No.

C 5208 (B,22,70)
 C 5209 (B,35,60)
 C 5210 (B,32,73) 1 uF
 C 5212 (B,31,71) 1 uF
 C 5213 (B,26,67)

A

C 5214 (B,26,71)
 C 5215 (B,28,71)
 C 5217 (A,29,70) 4.7 uF
 C 5218 (A,38,64)
 C 5219 (A,24,59) 4.7 uF

C 5220 (A,34,70)
 C 5221 (B,31,69)
 C 5222 (A,30,57) 4.7 uF
 C 5224 (A,36,62)
 C 5225 (B,35,58)

B

C 5226 (A,35,57)
 C 5303 (A,21,44)
 C 5304 (A,19,47) 4.7 uF
 C 5305 (A,20,52)
 C 5306 (A,12,47) 4.7 uF

C 5307 (A,13,46)
 C 5314 (A,13,39)
 C 5315 (A,13,38)
 C 5316 (A,13,38)
 C 5317 (A,13,37)

C

C 5324 (A,13,30)
 C 5325 (A,13,29)
 C 5326 (A,34,45)
 C 5328 (A,34,46)
 C 5330 (A,36,51) 10 uF

C 5331 (A,39,55)
 C 5333 (B,54,41)
 C 5334 (B,53,41)
 C 5335 (B,52,41)
 C 5336 (B,55,41) 10 uF

D

C 5339 (A,23,46)
 C 5340 (A,23,47)
 C 5341 (A,23,52)
 C 5342 (A,32,43) 1 uF
 C 5343 (A,28,52)

C 5344 (A,32,47) 10 uF
 C 5347 (A,33,42)
 C 5349 (A,52,42)
 C 5350 (B,36,40)
 C 5351 (A,30,43) 10 uF

E

C 5352 (A,31,43)
 C 5403 (B,60,41)
 C 5404 (A,79,48)
 C 5405 (B,67,43)
 C 5406 (B,74,41)

C 5407 (A,71,62)
 C 5409 (A,71,54)
 C 5410 (A,64,45)
 C 5411 (B,74,36) 10 uF
 C 5412 (B,74,38) 10 uF

F

C 5413 (B,71,39)
 C 5414 (A,80,39)
 C 5415 (B,72,39) 10 uF
 C 5416 (A,72,66)
 C 5417 (B,68,35)

2

Part No.

CKSRYB105K16
 CKSRYB105K10
 CCG1383
 CCG1383
 CKSRYB104K50

CKSRYB104K50
 CKSRYB104K50
 CCG1291
 CKSRYB103K50
 CCG1212

CCSSCH101J50
 CKSSYB561K50
 CCG1291
 CKSSYB152K50
 CKSRYB105K16

CKSSYB104K10
 CKSSYB104K16
 CCG1201
 CKSQYB225K16
 CCG1222

CKSSYB104K16
 CKSSYB102K50
 CKSSYB104K16
 CKSSYB102K50
 CKSSYB104K16

CKSSYB102K50
 CKSSYB104K16
 CKSSYB102K50
 CKSSYB104K16
 CCG1236

CKSSYB102K50
 CCSSCH101J50
 CKSSYB102K50
 CKSSYB104K10
 CCG1192

CKSRYB104K50
 CKSQYB334K50
 CKSRYB103K50
 DCH1246
 CKSSYB104K10

CCG1236
 CKSSYB102K50
 CKSSYB102K50
 CKSRYB105K10
 CCG1234

CKSSYB102K50
 CCSSCH470J50
 CKSSYB102K50
 CCSSCH100D50
 CCSSCH101J50

CKSSYB104K10
 CCSSCJ3R0C50
 CCSSCH100D50
 CCG1244
 CCG1244

CKSSYB104K10
 CCSSCH101J50
 CCG1244
 CKSSYB104K10
 CCSSCH101J50

3

Circuit Symbol and No.

C 5418 (A,72,67) 10 uF
 C 5420 (A,80,34)
 C 5421 (A,80,35)
 C 5422 (A,80,37)
 C 5423 (A,80,36)

C 5425 (A,70,50)
 C 5426 (A,66,50)
 C 5427 (B,64,38)
 C 5432 (A,80,38)
 C 5433 (B,78,40) 10 uF

C 5434 (B,66,38) 10 uF
 C 5435 (B,74,43)
 C 5436 (B,70,36)
 C 5437 (A,72,70)
 C 5438 (B,65,40)

C 5439 (B,67,45)
 C 5602 (B,8,94) 10 uF

C**Unit Number :****Unit Name : Relay Unit****MISCELLANEOUS**

S 101 (A,46,55) Spring Switch CSN1080
 S 102 (B,25,12) Spring Switch CSN1081
 VR101 (A,7,63) Semi-fixed 6.8kohm(B) CCP1447
 VR102 (A,7,59) Semi-fixed 15 kohm(B) CCP1449
 CN101 (A,21,63) Connector CKS6631
 CN102 (A,41,11) Connector CKS6025

RESISTORS

R 101 (A,11,61) RS1/10SR822J
 R 102 (B,53,27) RS1/10SR0R0J

4

Part No.

CCG1244
 CKSSYB104K10
 CKSSYB104K10
 CKSSYB104K10
 CKSSYB104K10

CCSSCH150J50
 CCSSCH120J50
 CCSSCH101J50
 CKSSYB104K10
 CCG1244

CCG1244
 CKSSYB104K10
 CKSSYB104K10
 CKSSYB104K10
 CKSSYB104K10

CKSSYB104K10
 CCG1192