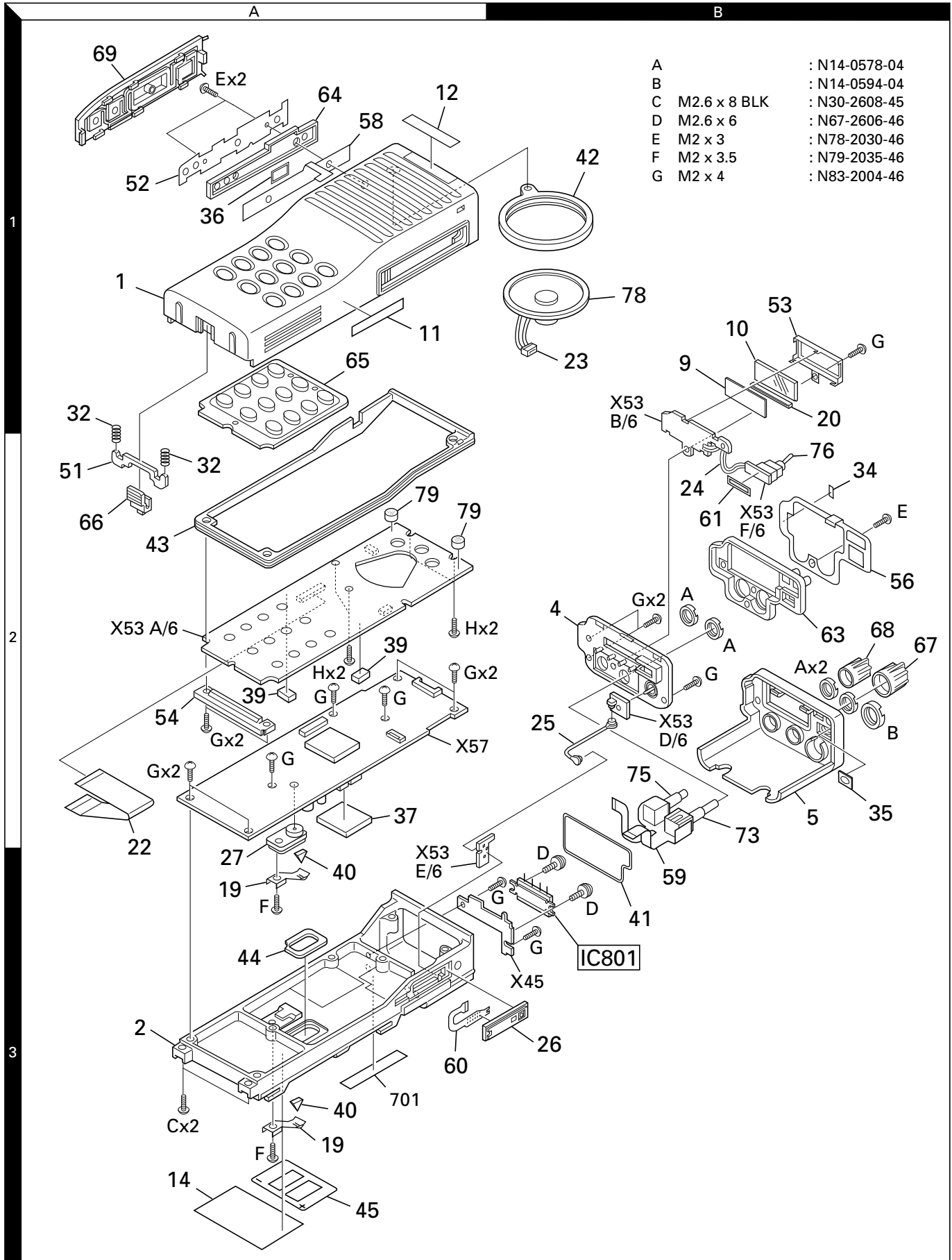
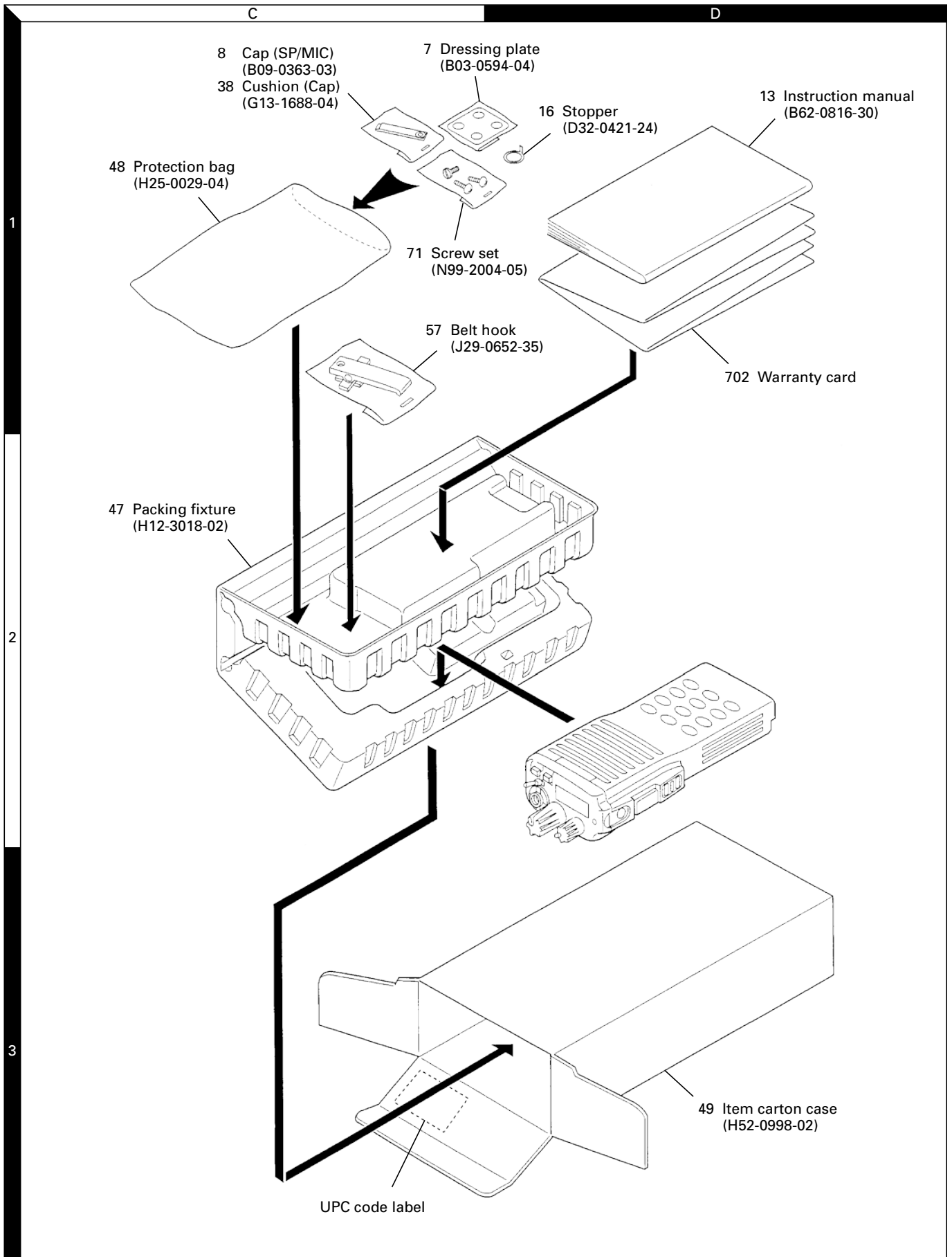


EXPLODED VIEW



PACKING



Parts with the exploded numbers larger than 700 are not supplied.

PARTS LIST

* New Parts. Δ indicates safety critical components.

Parts without **Parts No.** are not supplied.

Les articles non mentionnés dans le **Parts No.** ne sont pas fournis.

Teile ohne **Parts No.** werden nicht geliefert.

L : Scandinavia

Y : PX (Far East, Hawaii)

Y : AAFES (Europe)

K : USA

T : England

X : Australia

P : Canada

E : Europe

M : Other Areas

TK-290

FINAL UNIT (X45-3592-71)

CONTROL UNIT (X53-3930-XX)

Ref. No.	Address	New parts	Parts No.	Description	Destination
TK-290					
1	1A	*	A02-2139-63	CABINET ASSY	K
1	1A	*	A02-2140-63	CABINET ASSY	K2
2	3A		A10-4015-21	CHASSIS	
4	2B	*	A22-2501-25	SUB PANEL ASSY	
5	2B		A62-0537-53	PANEL ASSY	
7	1C		B03-0594-04	DRESSING PLATE	ACCESSORY
8	1C		B09-0363-03	CAP	ACCESSORY
9	1B	*	B11-1183-14	ILLUMINATION GUIDE	
10	1B		B38-0786-05	LCD	
11	1A		B42-3394-14	STANDARD LABEL	
12	1A	*	B43-1111-14	BADGE	
13	1D	*	B62-0816-30	INSTRUCTION MANUAL	
14	3A	*	B72-1288-14	MODEL NAME PLATE	
16	1D	*	D32-0421-24	STOPPER	
19	3A		E23-1163-04	BATT TERMINAL	
20	1B		E29-1165-05	INTER CONNECTOR (LCD)	
-	-		E30-3325-05	CLONING CABLE	
22	2A		E37-0682-05	FLAT CABLE (TX/RX-CONT)	
23	1B		E37-0684-05	LEAD WIRE WITH CONNECTOR (SP)	
24	2B		E37-0692-05	PROCESSED LEAD WIRE (TOGGLE SW)	
25	2B		E37-0722-05	ANTENNA CABLE	
26	3B		E58-0443-25	UNIVERSAL CONNECTOR	
27	2A		E72-0411-04	TERMINAL BLOCK (BATT+)	
-	-		F10-2344-04	SHIELDING CASE	
32	2A		G01-0891-04	COIL SPRING (BATT RELEASE)	
34	2B		G11-2554-04	SHEET (KEY TOP)	
35	2B		G11-2555-04	SHEET (TOGGLE SW)	
36	1A		G11-2658-04	SHEET (PTT)	
37	2A		G13-1678-04	CUSHION (TX/RX)	
38	1C		G13-1688-04	CUSHION (CAP)	
39	2A		G13-1695-04	CUSHION (DTMF)	K2
40	3A		G13-1800-04	CUSHION (BATT TERMINAL)	
41	3B		G53-0822-04	PACKING (CHASSIS)	
42	1B		G53-0823-04	PACKING (SP)	
43	2A		G53-0874-03	PACKING (RING)	
44	3A		G53-1511-04	PACKING (BATT-)	
45	3A		G53-1518-04	PACKING (BATT TERMINAL)	
47	2C		H12-3018-02	PACKING FIXTURE	
48	1C		H25-0029-04	PROTECTION BAG	
49	3D		H52-0998-02	ITEM CARTON CASE	
51	2A	*	J19-5330-14	HOLDER (BATT RELEASE)	
52	1A	*	J21-8326-14	HARDWARE FIXTURE (SIDE KEY)	
53	1B	*	J21-8328-14	HARDWARE FIXTURE (LCD)	
54	2A	*	J21-8329-14	HARDWARE FIXTURE (CONT UNIT)	
56	2B	*	J21-8343-14	HARDWARE FIXTURE	
57	1C	*	J29-0652-35	BELT HOOK	ACCESSORY
58	1A		J82-0047-05	FPC (SIDE KEY)	
59	2B		J82-0049-15	FPC (VOL-ENC)	
60	3A	*	J82-0052-15	FPC (UNIVERSAL CONNECTOR)	
61	2B		J99-0346-24	ADHESIVE TAPE (TOGGLE SW)	
63	2B	*	K29-5172-32	KEY TOP (TOP KEY)	
64	1A	*	K29-5173-13	KEY TOP (SIDE KEY)	
65	1A	*	K29-5193-23	KEY TOP (DTMF)	K2
66	2A	*	K29-5220-13	LEVER KNOB (BATT RELEASE)	
67	2B		K29-5282-04	KNOB ASSY (VOL)	
68	2B		K29-5283-04	KNOB ASSY (ENC)	
69	1A		K29-5441-04	KNOB ASSY (SIDE KEY)	
A	2B		N14-0578-04	CIRCULAR NUT (VOL/ENC)	
B	2B		N14-0594-04	CIRCULAR NUT (ANT CONNECTOR)	
C	3A		N30-2608-45	PAN HEAD MACHINE SCREW	
D	3B		N67-2606-46	PAN HEAD SEMS SCREW	
E	1A,2B		N78-2030-46	PAN HEAD TAPTITE SCREW	
F	3A		N79-2035-46	PAN HEAD TAPTITE SCREW	
G	2A,2B		N83-2004-46	PAN HEAD TAPTITE SCREW	
71	1C		N99-2004-05	SCREW SET	ACCESSORY
73	2B		R31-0638-05	VARIABLE RESISTOR	
75	2B	*	S60-0408-15	ROTARY SWITCH	
76	2B		S72-0402-05	TOGGLE SWITCH	
78	1B		T07-0349-05	SPEAKER	
79	2A		T91-0575-05	MIC ELEMENT	
-	-	*	W01-0441-05	UNIVERSAL PLUG KIT	
FINAL UNIT (X45-3592-71)					
C802			CC73GCH1H030C	CHIP C	3.0PF C
C803			CC73GCH1H101J	CHIP C	100PF J
C804			CK73GB1C104K	CHIP C	0.10UF K
C805			CC73GCH1H101J	CHIP C	100PF J
C806			CK73GB1C104K	CHIP C	0.10UF K
L801			L33-0763-05	SMALL FIXED INDUCTOR	
IC801	3B		M68776	RF POWER MODULE	
CONTROL UNIT (X53-3930-XX) -11 : K -12 : K2					
D6-9			B30-2171-05	LED	
D102,103			B30-2231-05	LED	
D104			B30-2019-05	LED	K2
C1-5			CK73GB1H471K	CHIP C	470PF K
C8			CK73FB1C474K	CHIP C	0.47UF K
C10,11			CK73GB1H102K	CHIP C	1000PF K
C12,13			CK73FB1C474K	CHIP C	0.47UF K
C14			CK73FB1C104KTD	CHIP C	0.10UF K
C15			CK73GB1H471K	CHIP C	470PF K
C16			C92-0734-05	CHIP-TAN	100UF 10WV
C19			CK73FB1C474K	CHIP C	0.47UF K
C22			CK73GB1H471K	CHIP C	470PF K
C27-29			CK73GB1C104K	CHIP C	0.10UF K
C30			CK73FB1C474K	CHIP C	0.47UF K
C31			CK73GB1E223K	CHIP C	0.022UF K
C32			CK73FB1C474K	CHIP C	0.47UF K
C33,34			CK73GB1H471K	CHIP C	470PF K

PARTS LIST

CONTROL UNIT (X53-3930-XX)

TX-RX UNIT (X57-5390-10)

Ref. No.	Address	New parts	Parts No.	Description	Destination	Ref. No.	Address	New parts	Parts No.	Description	Destination
C35			CK73GB1H102K	CHIP C 1000PF K		D2			DTZ3.9(B)	ZENER DIODE	
C37			CC73GCH1H101J	CHIP C 100PF J		D2		*	UDZ3.9(B)	ZENER DIODE	
C38			CK73GB1H102K	CHIP C 1000PF K		D11			IMN10	DIODE	K2
C39			CK73GB1H471K	CHIP C 470PF K		D12,13			MA2S111	DIODE	
C41			CK73GB1H102K	CHIP C 1000PF K		D14			IMN10	DIODE	K2
C43			CK73GB1H471K	CHIP C 470PF K		D15			MA2S111	DIODE	
C45,46			CK73GB1H471K	CHIP C 470PF K		D16			IMN10	DIODE	K
C103			CK73GB1H102K	CHIP C 1000PF K		D16-18			IMN10	DIODE	K2
C104,105			CC73GCH1H101J	CHIP C 100PF J		D19,20			MA2S111	DIODE	
C106			C92-0602-05	CHIP-TAN 1.0UF 10WV		D101			1SS373	DIODE	
CN1			E40-5947-05	FLAT CABLE CONNECTOR		IC1			TDA7053AT	BI-POLAR IC	
CN3			E40-5948-05	FLAT CABLE CONNECTOR		IC2			BU4094BCFV	MOS IC	
CN4			E40-5662-05	PIN ASSY SOCKET		IC3			NJM2904V	MOS IC	
CN101			E40-5920-05	FLAT CABLE CONNECTOR		IC4-6			TC7SH08FU	MOS IC	
CN501,502			E04-0403-05	PIN SOCKET		IC7			BU4094BCFV	MOS IC	K2
L1-4			L92-0141-05	FERRITE CHIP		IC10			TC7W04FU	MOS IC	
L6			L92-0149-05	FERRITE CHIP		IC101			LC75824W	MOS IC	
L9			L92-0138-05	FERRITE CHIP		Q5			2SC4617(S)	TRANSISTOR	
L101			L92-0138-05	FERRITE CHIP		Q6			2SB798(DL,DK)	TRANSISTOR	
CP1			R90-0723-05	MULTI-COMP 47K X2		Q7,8			2SK1824	FET	
R1			RK73GB1J273J	CHIP R 27K J 1/16W		Q14			UMC4	TRANSISTOR	
R2			RK73GB1J102J	CHIP R 1.0K J 1/16W		Q15			2SK1824	FET	
R3			RK73GB1J470J	CHIP R 47 J 1/16W		TX-RX UNIT (X57-5390-10)					
R4,5			RK73GB1J473J	CHIP R 47K J 1/16W		C1			C92-0560-05	CHIP-TAN 10UF 6.3WV	
R6-8			R92-1252-05	CHIP R 0 OHM		C5			CK73GB1H102K	CHIP C 1000PF K	
R9,10			RK73GB1J562J	CHIP R 5.6K J 1/16W		C6			C92-0560-05	CHIP-TAN 10UF 6.3WV	
R11			R92-1252-05	CHIP R 0 OHM		C8-10			CK73GB1H102K	CHIP C 1000PF K	
R12			RK73GB1J102J	CHIP R 1.0K J 1/16W		C11			C92-0588-05	CHIP-TAN 1.5UF 16V	
R13			RK73GB1J473J	CHIP R 47K J 1/16W		C13			CK73GB1C104K	CHIP C 0.10UF K	
R14			RK73GB1J104J	CHIP R 100K J 1/16W		C14,15			C92-0588-05	CHIP-TAN 1.5UF 16V	
R15			RK73GB1J222J	CHIP R 2.2K J 1/16W		C16			CK73GB1C104K	CHIP C 0.10UF K	
R17,18			RK73GB1J473J	CHIP R 47K J 1/16W	K2	C17			CK73GB1H102K	CHIP C 1000PF K	
R19,20			RK73GB1J101J	CHIP R 100 J 1/16W		C18			C92-0588-05	CHIP-TAN 1.5UF 16V	
R22,23			RK73GB1J102J	CHIP R 1.0K J 1/16W		C19,20			CK73GB1C104K	CHIP C 0.10UF K	
R26-28			RK73GB1J103J	CHIP R 10K J 1/16W		C21			C92-0560-05	CHIP-TAN 10UF 6.3WV	
R29,30			RK73GB1J223J	CHIP R 22K J 1/16W		C22			CK73GB1H103K	CHIP C 0.010UF K	
R31			R92-1252-05	CHIP R 0 OHM	K2	C23			CC73GCH1H101J	CHIP C 100PF J	
R32			RK73GB1J680J	CHIP R 68 J 1/16W		C24			C92-0502-05	CHIP-TAN 0.33UF 35WV	
R33			RK73GB1J223J	CHIP R 22K J 1/16W		C27			CK73GB1C104K	CHIP C 0.10UF K	
R34			RK73GB1J182J	CHIP R 1.8K J 1/16W		C28			CK73GB1E223K	CHIP C 0.022UF K	
R35			RK73GB1J103J	CHIP R 10K J 1/16W		C29			CC73GCH1H100D	CHIP C 10PF D	
R36			RK73GB1J182J	CHIP R 1.8K J 1/16W		C30			CC73GCH1H220J	CHIP C 22PF J	
R37-42			RK73GB1J102J	CHIP R 1.0K J 1/16W	K2	C31			CK73GB1H471K	CHIP C 470PF K	
R43,44			RK73GB1J473J	CHIP R 47K J 1/16W		C32			C92-0002-05	CHIP-TAN 0.22UF 35WV	
R45-49			RK73GB1J102J	CHIP R 1.0K J 1/16W	K	C33			CC73GCH1H220J	CHIP C 22PF J	
R45-55			RK73GB1J102J	CHIP R 1.0K J 1/16W	K2	C34			CC73GCH1H331J	CHIP C 330PF J	
R56			RK73GB1J153J	CHIP R 15K J 1/16W		C35			CC73GCH1H100D	CHIP C 10PF D	
R57			R92-1252-05	CHIP R 0 OHM		C36			CC73GCH1H150J	CHIP C 15PF J	
R59			RK73GB1J102J	CHIP R 1.0K J 1/16W		C37			CK73GB1H471K	CHIP C 470PF K	
R60			RK73GB1J101J	CHIP R 100 J 1/16W		C38			CC73GCH1H050C	CHIP C 5.0PF C	
R63,64			R92-1252-05	CHIP R 0 OHM		C39			CK73GB1H102K	CHIP C 1000PF K	
R66,67			R92-1252-05	CHIP R 0 OHM		C40			C92-0560-05	CHIP-TAN 10UF 6.3WV	
R101			RK73GB1J104J	CHIP R 100K J 1/16W		C41			CK73GB1H471K	CHIP C 470PF K	
R102-104			RK73GB1J103J	CHIP R 10K J 1/16W		C42			CC73GCH1H100D	CHIP C 10PF D	
R105			RK73GB1J471J	CHIP R 470 J 1/16W		C43			C92-0507-05	CHIP-TAN 4.7UF 6.3WV	
R106			RK73GB1J274J	CHIP R 270K J 1/16W		C45			CC73GCH1H120J	CHIP C 12PF J	
R107			RK73GB1J472J	CHIP R 4.7K J 1/16W		C46			CK73GB1H102K	CHIP C 1000PF K	
R108			RK73GB1J100J	CHIP R 10 J 1/16W							
R502			RK73GB1J102J	CHIP R 1.0K J 1/16W							

PARTS LIST

TX-RX UNIT (X57-5390-10)

Ref. No.	Address	New parts	Parts No.	Description	Destination	Ref. No.	Address	New parts	Parts No.	Description	Destination
C47			CK73GB1H471K	CHIP C 470PF K		C303			CK73GB1C104K	CHIP C 0.10UF K	
C48			CK73GB1H102K	CHIP C 1000PF K		C304			CK73GB1H102K	CHIP C 1000PF K	
C49,50			CK73GB1H471K	CHIP C 470PF K		C305			CK73GB1H103K	CHIP C 0.010UF K	
C52			CK73GB1H102K	CHIP C 1000PF K		C306-308			CK73GB1H102K	CHIP C 1000PF K	
C53-57			CK73GB1H471K	CHIP C 470PF K		C309			C92-0602-05	CHIP-TAN 1.0UF 10WV	
C58			CC73GCH1H101J	CHIP C 100PF J		C310,311			CK73GB1C104K	CHIP C 0.10UF K	
C59			CC73GCH1H680J	CHIP C 68PF J		C312			CK73GB1C333K	CHIP C 0.033UF K	
C60-62			CK73GB1H471K	CHIP C 470PF K		C313,314			CC73GCH1H220J	CHIP C 22PF J	
C63			CC73GCH1H101J	CHIP C 100PF J		C315			CK73GB1H102K	CHIP C 1000PF K	
C64			CK73GB1H471K	CHIP C 470PF K		C316			CC73GCH1H820J	CHIP C 82PF J	
C65			CK73GB1H103K	CHIP C 0.010UF K		C317			CK73GB1H102K	CHIP C 1000PF K	
C66,67			CK73GB1H471K	CHIP C 470PF K		C318			CK73GB1C104K	CHIP C 0.10UF K	
C69			CC73GCH1H070D	CHIP C 7.0PF D		C319			CK73GB1H103K	CHIP C 0.010UF K	
C70			CC73GCH1H101J	CHIP C 100PF J		C320			C92-0560-05	CHIP-TAN 10UF 6.3WV	
C71			CK73FB1C474K	CHIP C 0.47UF K		C321			CK73GB1C104K	CHIP C 0.10UF K	
C73			C92-0512-05	CHIP-TAN 1.0UF 16WV		C323			C92-0560-05	CHIP-TAN 10UF 6.3WV	
C76			CC73GCH1H101J	CHIP C 100PF J		C327			CK73GB1H103K	CHIP C 0.010UF K	
C78			CK73GB1H103K	CHIP C 0.010UF K		C330-332			CK73GB1H103K	CHIP C 0.010UF K	
C79			CK73FB1C474K	CHIP C 0.47UF K		C333			CK73GB1H102K	CHIP C 1000PF K	
C81			CK73GB1H102K	CHIP C 1000PF K		C334			CK73GB1C104K	CHIP C 0.10UF K	
C82			CC73GCH1H680J	CHIP C 68PF J		C335			CK73GB1H102K	CHIP C 1000PF K	
C83			CC73GCH1H200J	CHIP C 20PF J		C336			CK73GB1A224K	CHIP C 0.22UF K	
C84,85			CK73GB1H102K	CHIP C 1000PF K		C337			CK73FB1C334K	CHIP C 0.33UF K	
C86			CC73GCH1H220J	CHIP C 22PF J		C400,401			CC73GCH1H101J	CHIP C 100PF J	
C87			CC73GCH1H680J	CHIP C 68PF J		C403-411			CC73GCH1H101J	CHIP C 100PF J	
C88			CC73GCH1H120J	CHIP C 12PF J		C413			CK73GB1H471K	CHIP C 470PF K	
C89			CC73GCH1H090D	CHIP C 9.0PF D		C414			CK73GB1H103K	CHIP C 0.010UF K	
C90			CC73GCH1H270J	CHIP C 27PF J		C415			CK73FB1C105K	CHIP C 1.0UF K	
C91			CC73GCH1H100D	CHIP C 10PF D		C416,417			CK73GB1H471K	CHIP C 470PF K	
C92			CC73GCH1H120J	CHIP C 12PF J		C419			C92-0589-05	CHIP-TAN 47UF 6.3WV	
C93,94			CC73GCH1H100D	CHIP C 10PF D		C420			C92-0702-05	ELECTRO 47UF 6.3WV	
C95-97			CK73GB1H102K	CHIP C 1000PF K		C421			CK73GB1H471K	CHIP C 470PF K	
C99			CK73GB1H102K	CHIP C 1000PF K		C422			CK73FB1C105K	CHIP C 1.0UF K	
C100			C92-0560-05	CHIP-TAN 10UF 6.3WV		C423,424			CK73GB1H471K	CHIP C 470PF K	
C101			CK73FB1C105K	CHIP C 1.0UF K		C425			CK73GB1H103K	CHIP C 0.010UF K	
C202			CC73GCH1H060D	CHIP C 6.0PF D		C426			CK73GB1H471K	CHIP C 470PF K	
C204			CK73GB1H102K	CHIP C 1000PF K		C427			CK73GB1H103K	CHIP C 0.010UF K	
C205			CC73GCH1H030C	CHIP C 3.0PF C		C428			C92-0004-05	CHIP-TAN 1.0UF 16WV	
C206,207			CK73GB1H102K	CHIP C 1000PF K		C429			CK73GB1H102K	CHIP C 1000PF K	
C209,210			CK73GB1H102K	CHIP C 1000PF K		C430			CK73FB1C105K	CHIP C 1.0UF K	
C212,213			CK73GB1H102K	CHIP C 1000PF K		C431			CK73GB1H471K	CHIP C 470PF K	
C214			CC73GCH1H060D	CHIP C 6.0PF D		C432			CK73FB1C105K	CHIP C 1.0UF K	
C215			CC73GCH1H030C	CHIP C 3.0PF C		C433			C92-0698-05	ELECTRO 47UF 10WV	
C216			CC73GCH1H1R5C	CHIP C 1.5PF C		C434,435			CK73GB1H471K	CHIP C 470PF K	
C217			CK73GB1H102K	CHIP C 1000PF K		C436			CK73FB1C105K	CHIP C 1.0UF K	
C219			CC73GCH1H060D	CHIP C 6.0PF D		C437			CK73GB1H472K	CHIP C 4700PF K	
C222			CC73GCH1H151J	CHIP C 150PF J		C438			CK73GB1H103K	CHIP C 0.010UF K	
C223			CC73GCH1H070D	CHIP C 7.0PF D		C439			CK73GB1E103K	CHIP C 0.010UF K	
C224			CK73GB1H471K	CHIP C 470PF K		C440			CK73GB1C273K	CHIP C 0.027UF K	
C225			CC73GCH1H151J	CHIP C 150PF J		C441,442			CK73GB1H102K	CHIP C 1000PF K	
C226-228			CK73GB1H471K	CHIP C 470PF K		C443			CK73GB1H222K	CHIP C 2200PF K	
C229,230			CK73GB1C104K	CHIP C 0.10UF K		C444			CC73GCH1H470J	CHIP C 47PF J	
C232			CC73GCH1H151J	CHIP C 150PF J		C445,446			CK73GB1H222K	CHIP C 2200PF K	
C233			CK73GF1A105Z	CHIP C 1.0UF Z		C447,448			CC73GCH1H180J	CHIP C 18PF J	
C234			CK73GB1H102K	CHIP C 1000PF K		C449			CK73GB1H103K	CHIP C 0.010UF K	
C237			CK73GB1H102K	CHIP C 1000PF K		C450			C92-0713-05	CHIP-TAN 10UF 6.3WV	
C238			CK73GB1C273K	CHIP C 0.027UF K		C454			CC73GCH1H101J	CHIP C 100PF J	
C240			CC73GCH1H060D	CHIP C 6.0PF D		C456-477			CC73GCH1H101J	CHIP C 100PF J	
C300			CK73GB1H472K	CHIP C 4700PF K		C478			CK73GB1C104K	CHIP C 0.10UF K	
C301,302			CC73GCH1H221J	CHIP C 220PF J		C479			CC73GCH1H271J	CHIP C 270PF J	

PARTS LIST

TX-RX UNIT (X57-5390-10)

Ref. No.	Address	New parts	Parts No.	Description	Destination	Ref. No.	Address	New parts	Parts No.	Description	Destination
C480			CC73GCH1H221J	CHIP C 220PF J		CN401			E40-5947-05	FLAT CABLE CONNECTOR	
C481			CK73FB1C105K	CHIP C 1.0UF K		CN403			E40-5856-05	FLAT CABLE CONNECTOR	
C482			CK73GB1C104K	CHIP C 0.10UF K		CN404,405			E23-0342-05	TEST TERMINAL	
C483			CK73GB1H102K	CHIP C 1000PF K							
C484			C92-0560-05	CHIP-TAN 10UF 6.3WV		F400			F53-0143-05	FUSE	
C485			CK73GB1H102K	CHIP C 1000PF K		CD300			L79-1072-05	TUNING COIL	
C487			CK73GB1C104K	CHIP C 0.10UF K		CF300,301			L72-0916-05	CERAMIC FILTER	
C488			C92-0565-05	CHIP-TAN 6.8UF 10WV		CF302,303			L72-0939-05	CERAMIC FILTER	
C600			CK73GB1C473K	CHIP C 0.047UF K		L1			L92-0138-05	FERRITE CHIP	
C601			C92-0003-05	CHIP-TAN 0.47UF 25WV		L3			L92-0138-05	FERRITE CHIP	
C602			CK73GB1C104K	CHIP C 0.10UF K		L4			L40-4775-44	SMALL FIXED INDUCTOR (47.0NH)	
C603			CK73GB1C683K	CHIP C 0.068UF K		L5			L40-3981-37	SMALL FIXED INDUCTOR (0.390UH)	
C604			CK73GB1H103K	CHIP C 0.010UF K		L6			L40-6875-44	SMALL FIXED INDUCTOR (68.0NH)	
C606			CK73GB1H222K	CHIP C 2200PF K		L7			L40-1085-44	SMALL FIXED INDUCTOR (100.0NH)	
C607			CC73GCH1H101J	CHIP C 100PF J		L8			L40-5675-44	SMALL FIXED INDUCTOR (56.0NH)	
C608			CK73GB1H103K	CHIP C 0.010UF K		L9			L40-1081-36	SMALL FIXED INDUCTOR (100NH)	
C609			CC73GCH1H121J	CHIP C 120PF J		L10,11			L92-0149-05	FERRITE CHIP	
C610			CK73GB1H103K	CHIP C 0.010UF K		L12			L33-0763-05	SMALL FIXED INDUCTOR	
C611			CK73GB1E123K	CHIP C 0.012UF K		L13			L40-1095-34	SMALL FIXED INDUCTOR (1UH)	
C612			C92-0714-05	CHIP-TAN 4.7UF 6.3WV		L14			L33-0765-05	SMALL FIXED INDUCTOR	
C613			CK73GB1H103K	CHIP C 0.010UF K		L15,16			L33-1226-05	SMALL FIXED INDUCTOR	
C619			CC73GCH1H471J	CHIP C 470PF J		L17			L40-1092-81	SMALL FIXED INDUCTOR	
C621			CK73GB1C104K	CHIP C 0.10UF K		L18			L40-4791-37	SMALL FIXED INDUCTOR (4.700UH)	
C623			CK73GB1E103K	CHIP C 0.010UF K		L20,21			L92-0140-05	FERRITE CHIP	
C625,626			CK73GB1C104K	CHIP C 0.10UF K		L22			L40-8275-44	SMALL FIXED INDUCTOR (82.0NH)	
C627			CK73GB1H122J	CHIP C 1200PF J		L23			L92-0138-05	FERRITE CHIP	
C629,630			CK73GB1H103K	CHIP C 0.010UF K		L201			L34-4492-05	COIL	
C631,632			CK73GB1C104K	CHIP C 0.10UF K		L202			L34-4493-05	COIL	
C633			CK73GB1H103K	CHIP C 0.010UF K		L204			L40-6885-34	SMALL FIXED INDUCTOR (680NH)	
C634,635			CK73GB1H562J	CHIP C 5600PF J		L205			L34-4493-05	COIL	
C636			CK73GB1C333K	CHIP C 0.033UF K		L206			L34-4492-05	COIL	
C637			CK73GB1H562J	CHIP C 5600PF J		L207			L40-8275-44	SMALL FIXED INDUCTOR (82.0NH)	
C638			CK73GB1H272J	CHIP C 2700PF J		L208			L40-5675-44	SMALL FIXED INDUCTOR (56.0NH)	
C639			CC73GCH1H090D	CHIP C 9.0PF D		L209,210			L40-8275-44	SMALL FIXED INDUCTOR (82.0NH)	
C640,641			CK73GB1H272J	CHIP C 2700PF J		L211,212			L39-1272-05	TOROIDAL COIL	
C642			CC73HCH1H151J	CHIP C 150PF J		L213			L92-0138-05	FERRITE CHIP	
C643			CK73GB1H122K	CHIP C 1200PF K		L214			L39-1272-05	TOROIDAL COIL	
C644			CK73HB1H102K	CHIP C 1000PF K		L215			L40-8275-44	SMALL FIXED INDUCTOR (82.0NH)	
C645			CC73GCH1H090D	CHIP C 9.0PF D		L216			L40-1095-34	SMALL FIXED INDUCTOR (1UH)	
C646			C92-0713-05	CHIP-TAN 10UF 6.3WV		L301			L40-3391-37	SMALL FIXED INDUCTOR (3.300UH)	
C647			CK73HB1A104K	CHIP C 0.10UF K		L400			L92-0136-05	FERRITE CHIP	
C648			CC73HCH1H101J	CHIP C 100PF J		L401			L92-0138-05	FERRITE CHIP	
C649-651			CK73HB1A104K	CHIP C 0.10UF K		L404			L40-1001-37	SMALL FIXED INDUCTOR (10.00UH)	
C652			C92-0714-05	CHIP-TAN 4.7UF 6.3WV		L601			L92-0162-05	BEADS CORE	
C653,654			CK73HB1E472K	CHIP C 4700PF K		L800		*	L78-0487-05	VCO	
C655			CC73HCH1H101J	CHIP C 100PF J		L905			L92-0138-05	FERRITE CHIP	
C656			CK73FB1H563K	CHIP C 0.056UF K		X1			L77-1798-05	VXCO (16.8MHZ)	
C657			C92-0714-05	CHIP-TAN 4.7UF 6.3WV		X300			L77-1742-05	CRYSTAL RESONATOR (45.305MHZ)	
C659			CK73GB1C104K	CHIP C 0.10UF K		X400			L78-0453-05	RESONATOR (12.0MHZ)	
C660			C92-0560-05	CHIP-TAN 10UF 6.3WV		X600			L77-1708-05	CRYSTAL RESONATOR (3.579545MHZ)	
C661			CK73GB1C104K	CHIP C 0.10UF K		XF301		*	L71-0588-05	MCF (44.85MHZ)	
C663			CK73HB1H102K	CHIP C 1000PF K		CP1			R90-0714-05	MULTI-COMP 10K X4	
C664			CK73HB1A104K	CHIP C 0.10UF K		CP700-707			R90-0741-05	MULTIPLE RESISTOR	
C665			CK73GB1C333K	CHIP C 0.033UF K		CP711-716			R90-0741-05	MULTIPLE RESISTOR	
C666			CK73GB1E153K	CHIP C 0.015UF K		CP718-721			R90-0741-05	MULTIPLE RESISTOR	
C668			CK73GB1H102K	CHIP C 1000PF K		R4			R92-1252-05	CHIP R 0 OHM	
C669			CC73GCH1H101J	CHIP C 100PF J		R5			RK73GB1J104J	CHIP R 100K J 1/16W	
C681			CK73GB1E103K	CHIP C 0.010UF K		R6			RK73GB1J473J	CHIP R 47K J 1/16W	
CN400			E40-5563-05	FLAT CABLE CONNECTOR		R7			RK73GB1J104J	CHIP R 100K J 1/16W	

PARTS LIST

TX-RX UNIT (X57-5390-10)

Ref. No.	Address	New parts	Parts No.	Description	Destination	Ref. No.	Address	New parts	Parts No.	Description	Destination
R8			RK73GB1J103J	CHIP R 10K J 1/16W		R208			RK73GB1J122J	CHIP R 1.2K J 1/16W	
R9			RK73GB1J682J	CHIP R 6.8K J 1/16W		R209			RK73GB1J330J	CHIP R 33 J 1/16W	
R11			RK73GB1J563J	CHIP R 56K J 1/16W		R210,211			RK73GB1J104J	CHIP R 100K J 1/16W	
R12			RK73GB1J100J	CHIP R 10 J 1/16W		R212			RK73GB1J222J	CHIP R 2.2K J 1/16W	
R13			RK73GB1J104J	CHIP R 100K J 1/16W		R213			RK73GB1J271J	CHIP R 270 J 1/16W	
R14			RK73GB1J184J	CHIP R 180K J 1/16W		R214			RK73GB1J101J	CHIP R 100 J 1/16W	
R15			RK73GB1J682J	CHIP R 6.8K J 1/16W		R215,216			R92-1252-05	CHIP R 0 OHM	
R16			RK73GB1J151J	CHIP R 150 J 1/16W		R219			R92-1252-05	CHIP R 0 OHM	
R17			RK73GB1J394J	CHIP R 390K J 1/16W		R222			R92-1252-05	CHIP R 0 OHM	
R18			RK73GB1J102J	CHIP R 1.0K J 1/16W		R226			RK73GB1J100J	CHIP R 10 J 1/16W	
R20-23			RK73GB1J473J	CHIP R 47K J 1/16W		R300			RK73GB1J220J	CHIP R 22 J 1/16W	
R24			RK73GB1J101J	CHIP R 100 J 1/16W		R301			RK73GB1J102J	CHIP R 1.0K J 1/16W	
R25			RK73GB1J224J	CHIP R 220K J 1/16W		R303			RK73GB1J274J	CHIP R 270K J 1/16W	
R27			RK73GB1J472J	CHIP R 4.7K J 1/16W		R304			RK73GB1J182J	CHIP R 1.8K J 1/16W	
R28			RK73GB1J223J	CHIP R 22K J 1/16W		R305			RK73GB1J183J	CHIP R 18K J 1/16W	
R29			RK73GB1J104J	CHIP R 100K J 1/16W		R306			RK73GB1J271J	CHIP R 270 J 1/16W	
R31			RK73GB1J471J	CHIP R 470 J 1/16W		R307			RK73GB1J223J	CHIP R 22K J 1/16W	
R32			RK73GB1J122J	CHIP R 1.2K J 1/16W		R308			R92-1252-05	CHIP R 0 OHM	
R33			RK73GB1J103J	CHIP R 10K J 1/16W		R313			RK73GB1J331J	CHIP R 330 J 1/16W	
R34			RK73GB1J223J	CHIP R 22K J 1/16W		R315			RK73GB1J472J	CHIP R 4.7K J 1/16W	
R35			RK73EB2ER39K	CHIP R 0.39 K 1/4W		R317,318			RK73GB1J223J	CHIP R 22K J 1/16W	
R36			R92-1252-05	CHIP R 0 OHM		R319			RK73GB1J123J	CHIP R 12K J 1/16W	
R37			RK73EB2ER39K	CHIP R 0.39 K 1/4W		R320			RK73GB1J392J	CHIP R 3.9K J 1/16W	
R38			RK73GB1J222J	CHIP R 2.2K J 1/16W		R321			RK73GB1J102J	CHIP R 1.0K J 1/16W	
R39			RK73EB2ER39K	CHIP R 0.39 K 1/4W		R323			RK73GB1J471J	CHIP R 470 J 1/16W	
R40			RK73GB1J822J	CHIP R 8.2K J 1/16W		R324,325			RK73GB1J223J	CHIP R 22K J 1/16W	
R41,42			RN73GH1J154D	CHIP R 150K D 1/16W		R328			RK73GB1J472J	CHIP R 4.7K J 1/16W	
R43			RK73GB1J180J	CHIP R 18 J 1/16W		R329			RK73GB1J104J	CHIP R 100K J 1/16W	
R44,45			RN73GH1J154D	CHIP R 150K D 1/16W		R330			R92-1252-05	CHIP R 0 OHM	
R46			RK73GB1J101J	CHIP R 100 J 1/16W		R331			RK73GB1J104J	CHIP R 100K J 1/16W	
R47,48			RN73GH1J154D	CHIP R 150K D 1/16W		R332			RK73GB1J224J	CHIP R 220K J 1/16W	
R49			RK73GB1J101J	CHIP R 100 J 1/16W		R333			R92-1252-05	CHIP R 0 OHM	
R50			RK73GB1J470J	CHIP R 47 J 1/16W		R334			RK73GB1J100J	CHIP R 10 J 1/16W	
R51			R92-1252-05	CHIP R 0 OHM		R335			RK73GB1J681J	CHIP R 680 J 1/16W	
R52			RK73GB1J103J	CHIP R 10K J 1/16W		R336			RK73GB1J224J	CHIP R 220K J 1/16W	
R53			RK73GB1J560J	CHIP R 56 J 1/16W		R337			RK73GB1J332J	CHIP R 3.3K J 1/16W	
R54			RK73GB1J152J	CHIP R 1.5K J 1/16W		R339			RK73GB1J473J	CHIP R 47K J 1/16W	
R56			RK73GB1J473J	CHIP R 47K J 1/16W		R341			RK73GB1J473J	CHIP R 47K J 1/16W	
R57			RK73GB1J104J	CHIP R 100K J 1/16W		R400			RK73GB1J102J	CHIP R 1.0K J 1/16W	
R58			RK73GB1J105J	CHIP R 1.0M J 1/16W		R401			RK73GB1J272J	CHIP R 2.7K J 1/16W	
R59			RK73GB1J104J	CHIP R 100K J 1/16W		R402			RK73GB1J332J	CHIP R 3.3K J 1/16W	
R60			RK73GB1J221J	CHIP R 220 J 1/16W		R403			RK73GB1J473J	CHIP R 47K J 1/16W	
R61			R92-1252-05	CHIP R 0 OHM		R404			RK73GB1J182J	CHIP R 1.8K J 1/16W	
R65			RK73GB1J103J	CHIP R 10K J 1/16W		R405			RK73GB1J332J	CHIP R 3.3K J 1/16W	
R67			RK73GB1J102J	CHIP R 1.0K J 1/16W		R406			RK73GB1J100J	CHIP R 10 J 1/16W	
R69-71			RK73GB1J391J	CHIP R 390 J 1/16W		R407			RK73GB1J102J	CHIP R 1.0K J 1/16W	
R73			RK73GB1J223J	CHIP R 22K J 1/16W		R408			RK73GB1J104J	CHIP R 100K J 1/16W	
R74			RK73GB1J101J	CHIP R 100 J 1/16W		R409			RK73GB1J102J	CHIP R 1.0K J 1/16W	
R75			RK73GB1J102J	CHIP R 1.0K J 1/16W		R410			RK73GB1J272J	CHIP R 2.7K J 1/16W	
R76			RK73GB1J101J	CHIP R 100 J 1/16W		R411			RK73GB1J821J	CHIP R 820 J 1/16W	
R77			RK73GB1J560J	CHIP R 56 J 1/16W		R412			RK73GB1J182J	CHIP R 1.8K J 1/16W	
R79			RK73GB1J104J	CHIP R 100K J 1/16W		R413			RK73GB1J473J	CHIP R 47K J 1/16W	
R82			R92-1252-05	CHIP R 0 OHM		R414			R92-1252-05	CHIP R 0 OHM	
R200			RK73GB1J473J	CHIP R 47K J 1/16W		R415			RK73GB1J471J	CHIP R 470 J 1/16W	
R201			RK73GB1J104J	CHIP R 100K J 1/16W		R416			RK73GB1J104J	CHIP R 100K J 1/16W	
R202,203			RK73GB1J103J	CHIP R 10K J 1/16W		R418,419			RK73GB1J104J	CHIP R 100K J 1/16W	
R204			RK73GB1J121J	CHIP R 120 J 1/16W		R420			RK73GB1J103J	CHIP R 10K J 1/16W	
R205			RK73GB1J104J	CHIP R 100K J 1/16W		R421			RK73GB1J223J	CHIP R 22K J 1/16W	
R206			RK73GB1J473J	CHIP R 47K J 1/16W		R422			RK73GB1J103J	CHIP R 10K J 1/16W	
R207			RK73GB1J100J	CHIP R 10 J 1/16W		R423			RK73GB1J473J	CHIP R 47K J 1/16W	

PARTS LIST

TX-RX UNIT (X57-5390-10)

Ref. No.	Address	New parts	Parts No.	Description	Destination	Ref. No.	Address	New parts	Parts No.	Description	Destination
R424			RK73GB1J103J	CHIP R 10K J 1/16W		R618			RK73GB1J683J	CHIP R 68K J 1/16W	
R425			RK73GB1J102J	CHIP R 1.0K J 1/16W		R619			RK73GB1J101J	CHIP R 100 J 1/16W	
R426,427			RK73GB1J103J	CHIP R 10K J 1/16W		R621			RK73GB1J103J	CHIP R 10K J 1/16W	
R428			RK73GB1J472J	CHIP R 4.7K J 1/16W		R622			RK73GB1J223J	CHIP R 22K J 1/16W	
R429			RK73GB1J103J	CHIP R 10K J 1/16W		R623			RK73GB1J334J	CHIP R 330K J 1/16W	
R430			RK73GB1J473J	CHIP R 47K J 1/16W		R624			RK73GB1J273J	CHIP R 27K J 1/16W	
R431			RK73GB1J102J	CHIP R 1.0K J 1/16W		R626			RK73GB1J104J	CHIP R 100K J 1/16W	
R432,433			RK73GB1J473J	CHIP R 47K J 1/16W		R628			RK73GB1J334J	CHIP R 330K J 1/16W	
R434			RK73GB1J103J	CHIP R 10K J 1/16W		R629			RK73GB1J223J	CHIP R 22K J 1/16W	
R435,436			RK73GB1J102J	CHIP R 1.0K J 1/16W		R635			RK73GB1J393J	CHIP R 39K J 1/16W	
R437			RK73GB1J473J	CHIP R 47K J 1/16W		R636,637			R92-1252-05	CHIP R 0 OHM	
R438-441			RK73GB1J102J	CHIP R 1.0K J 1/16W		R638			RK73GB1J472J	CHIP R 4.7K J 1/16W	
R442			RK73GB1J152J	CHIP R 1.5K J 1/16W		R639			RN73GH1J913D	CHIP R 91K D 1/16W	
R443			RK73GB1J821J	CHIP R 820 J 1/16W		R640			RN73GH1J683D	CHIP R 68K D 1/16W	
R444			R92-0670-05	CHIP R 0 OHM		R641			RN73GH1J913D	CHIP R 91K D 1/16W	
R445			R92-1252-05	CHIP R 0 OHM		R642			RN73GH1J333D	CHIP R 33K D 1/16W	
R446			RK73GB1J472J	CHIP R 4.7K J 1/16W		R643			RK73GB1J564J	CHIP R 560K J 1/16W	
R447			RK73GB1J473J	CHIP R 47K J 1/16W		R644			RK73GB1J474J	CHIP R 470K J 1/16W	
R448			RK73GB1J102J	CHIP R 1.0K J 1/16W		R645			RN73GH1J274D	CHIP R 270K D 1/16W	
R449-451			RK73GB1J473J	CHIP R 47K J 1/16W		R646			RK73GB1J472J	CHIP R 4.7K J 1/16W	
R452-455			RK73GB1J104J	CHIP R 100K J 1/16W		R647			R92-1252-05	CHIP R 0 OHM	
R456-459			RK73GB1J473J	CHIP R 47K J 1/16W		R648			RN73GH1J913D	CHIP R 91K D 1/16W	
R460-462			R92-1252-05	CHIP R 0 OHM		R649			RN73HH1J682D	CHIP R 6.8K D 1/16W	
R464			RK73GB1J473J	CHIP R 47K J 1/16W		R650			RK73GB1J103J	CHIP R 10K J 1/16W	
R466			R92-1252-05	CHIP R 0 OHM		R651			RK73GB1J155J	CHIP R 1.5M J 1/16W	
R467,468			RK73GB1J473J	CHIP R 47K J 1/16W		R652			RK73HB1J473J	CHIP R 47K J 1/16W	
R469			RK73GB1J102J	CHIP R 1.0K J 1/16W		R653			RK73HB1J184J	CHIP R 180K J 1/16W	
R470-472			R92-1252-05	CHIP R 0 OHM		R654			RN73HH1J683D	CHIP R 68K D 1/16W	
R474			RK73GB1J103J	CHIP R 10K J 1/16W		R655			RK73HB1J474J	CHIP R 470K J 1/16W	
R475-477			RK73GB1J101J	CHIP R 100 J 1/16W		R656			RN73HH1J682D	CHIP R 6.8K D 1/16W	
R478			RK73GB1J471J	CHIP R 470 J 1/16W		R657			RK73GB1J101J	CHIP R 100 J 1/16W	
R479			RK73GB1J473J	CHIP R 47K J 1/16W		R658			RK73HB1J224J	CHIP R 220K J 1/16W	
R480			RK73GB1J472J	CHIP R 4.7K J 1/16W		R659			RK73HB1J103J	CHIP R 10K J 1/16W	
R481			R92-1252-05	CHIP R 0 OHM		R660			RK73HB1J223J	CHIP R 22K J 1/16W	
R482			RK73GB1J102J	CHIP R 1.0K J 1/16W		R661			RK73HB1J394J	CHIP R 390K J 1/16W	
R483			RK73GB1J473J	CHIP R 47K J 1/16W		R662			RK73HB1J470J	CHIP R 47 J 1/16W	
R484			RK73GB1J102J	CHIP R 1.0K J 1/16W		R663			RK73HB1J220J	CHIP R 22 J 1/16W	
R486			RK73GB1J473J	CHIP R 47K J 1/16W		R664			RK73GB1J333J	CHIP R 33K J 1/16W	
R487			RK73GB1J102J	CHIP R 1.0K J 1/16W		R665,666			R92-1252-05	CHIP R 0 OHM	
R488			R92-1368-05	CHIP R 0 OHM		R668			RK73GB1J334J	CHIP R 330K J 1/16W	
R489			RK73GB1J103J	CHIP R 10K J 1/16W		R669			R92-1252-05	CHIP R 0 OHM	
R490			RK73GB1J104J	CHIP R 100K J 1/16W		R670-673			RK73GB1J472J	CHIP R 4.7K J 1/16W	
R491			R92-1252-05	CHIP R 0 OHM		R674			RK73HB1J104J	CHIP R 100K J 1/16W	
R493			RK73GB1J100J	CHIP R 10 J 1/16W		R675			RK73HB1J473J	CHIP R 47K J 1/16W	
R494			RK73GB1J473J	CHIP R 47K J 1/16W		R677			RK73GB1J333J	CHIP R 33K J 1/16W	
R495			RK73GB1J471J	CHIP R 470 J 1/16W		R679			R92-1252-05	CHIP R 0 OHM	
R496			R92-1252-05	CHIP R 0 OHM		R688			R92-1368-05	CHIP R 0 OHM	
R601			RK73GB1J153J	CHIP R 15K J 1/16W		R742			RK73GB1J272J	CHIP R 2.7K J 1/16W	
R602			RK73GB1J223J	CHIP R 22K J 1/16W		R743			RK73GB1J473J	CHIP R 47K J 1/16W	
R603			R92-1252-05	CHIP R 0 OHM		R922			RK73GB1J103J	CHIP R 10K J 1/16W	
R605,606			R92-1252-05	CHIP R 0 OHM		R923,924			R92-1368-05	CHIP R 0 OHM	
R607			RK73GB1J153J	CHIP R 15K J 1/16W		D4			MA2S111	DIODE	
R608			RK73GB1J103J	CHIP R 10K J 1/16W		D5			DAN235E	DIODE	
R609			RK73GB1J154J	CHIP R 150K J 1/16W		D6			MA2S111	DIODE	
R610			RK73GB1J563J	CHIP R 56K J 1/16W		D8			DA221	DIODE	
R611			RK73GB1J184J	CHIP R 180K J 1/16W		D9			HZU4CLL	ZENER DIODE	
R612			RK73GB1J334J	CHIP R 330K J 1/16W		D10			MI809	DIODE	
R614			RK73GB1J184J	CHIP R 180K J 1/16W		D10			XB15A709	DIODE	
R615,616			RK73GB1J103J	CHIP R 10K J 1/16W		D11			MA77	DIODE	
R617			R92-1252-05	CHIP R 0 OHM							

PARTS LIST

TX-RX UNIT (X57-5390-10)

Ref. No.	Address	New parts	Parts No.	Description	Destination	Ref. No.	Address	New parts	Parts No.	Description	Destination
D200			HSM88AS	DIODE		Q407			2SC4215(Y)	TRANSISTOR	
D201-208			1SV273	VARIABLE CAPACITANCE DIODE		Q408-410			2SC4617(S)	TRANSISTOR	
D300			MA742	DIODE		Q411			2SB1132(Q,R)	TRANSISTOR	
D302,303			DAN235E	DIODE		Q412			2SK1824	FET	
D400			1SR154-400	DIODE		Q413			HN1L02FU	FET	
D401			MA2S111	DIODE		Q414			2SK1824	FET	
D402,403			NNCD6.8G	ZENER DIODE		Q415			2SJ517	FET	
D404			1SS301	DIODE		Q601,602			2SK1824	FET	
D408			1SS301	DIODE		TH301			157-104-65001	THERMISTOR	
D409			MA2S111	DIODE							
D601			MA742	DIODE							
D602,603			MA2S077	DIODE							
IC2			LMC7101BIM5	MOS IC							
IC3		*	M62354GP	MOS IC							
IC4		*	MAX865	MOS IC							
IC5			SA7025DK	MOS IC							
IC6			LMC7101BIM5	MOS IC							
IC7			NJM2904V	MOS IC							
IC200		*	GN2011(Q)	MOS IC							
IC300			TA31136FN	MOS IC							
IC301			TC7S66FU	MOS IC							
IC400			BU4094BCFV	MOS IC							
IC401,402			TK11250BM	MOS IC							
IC403-405			BU4094BCFV	MOS IC							
IC406			784214GC0648EU	MPU							
IC409			PST9132NR	MOS IC							
IC412			AT2408N10SI2.5	ROM IC							
IC413			TC75W51FU	MOS IC							
IC414			AT29C020-90TI	ROM IC							
IC415			TC7S02F	MOS IC							
IC600			LC73872M	MOS IC							
IC601			TC75W51FU	MOS IC							
IC602			TA75W01FU	MOS IC							
IC603			M62364FP	MOS IC							
IC604-606			TC75W51FU	MOS IC							
IC607			TC35453F	MOS IC							
Q1			DTA114EE	DIGITAL TRANSISTOR							
Q2			2SJ144(GR)	FET							
Q3			2SC4619(P,Q)	TRANSISTOR							
Q4			2SC4617(S)	TRANSISTOR							
Q5			2SC4619(P,Q)	TRANSISTOR							
Q6			2SC5110(O)	TRANSISTOR							
Q7			DTC114EE	DIGITAL TRANSISTOR							
Q8			2SC4988	TRANSISTOR							
Q9			DTA144EE	DIGITAL TRANSISTOR							
Q10			DTC144EE	DIGITAL TRANSISTOR							
Q13			2SK1824	FET							
Q200			3SK274*J	FET							
Q301			2SC4617(S)	TRANSISTOR							
Q302			2SK1215(E)	FET							
Q303			DTA144EE	DIGITAL TRANSISTOR							
Q304			DTC144EE	DIGITAL TRANSISTOR							
Q305			UMC4	TRANSISTOR							
Q400			UMG3N	TRANSISTOR							
Q401			UPA572T	FET							
Q402			FP210	TRANSISTOR							
Q403			2SJ243	FET							
Q404			DTC144EE	DIGITAL TRANSISTOR							
Q405			UMG3N	TRANSISTOR							
Q406			DTA123JE	DIGITAL TRANSISTOR							