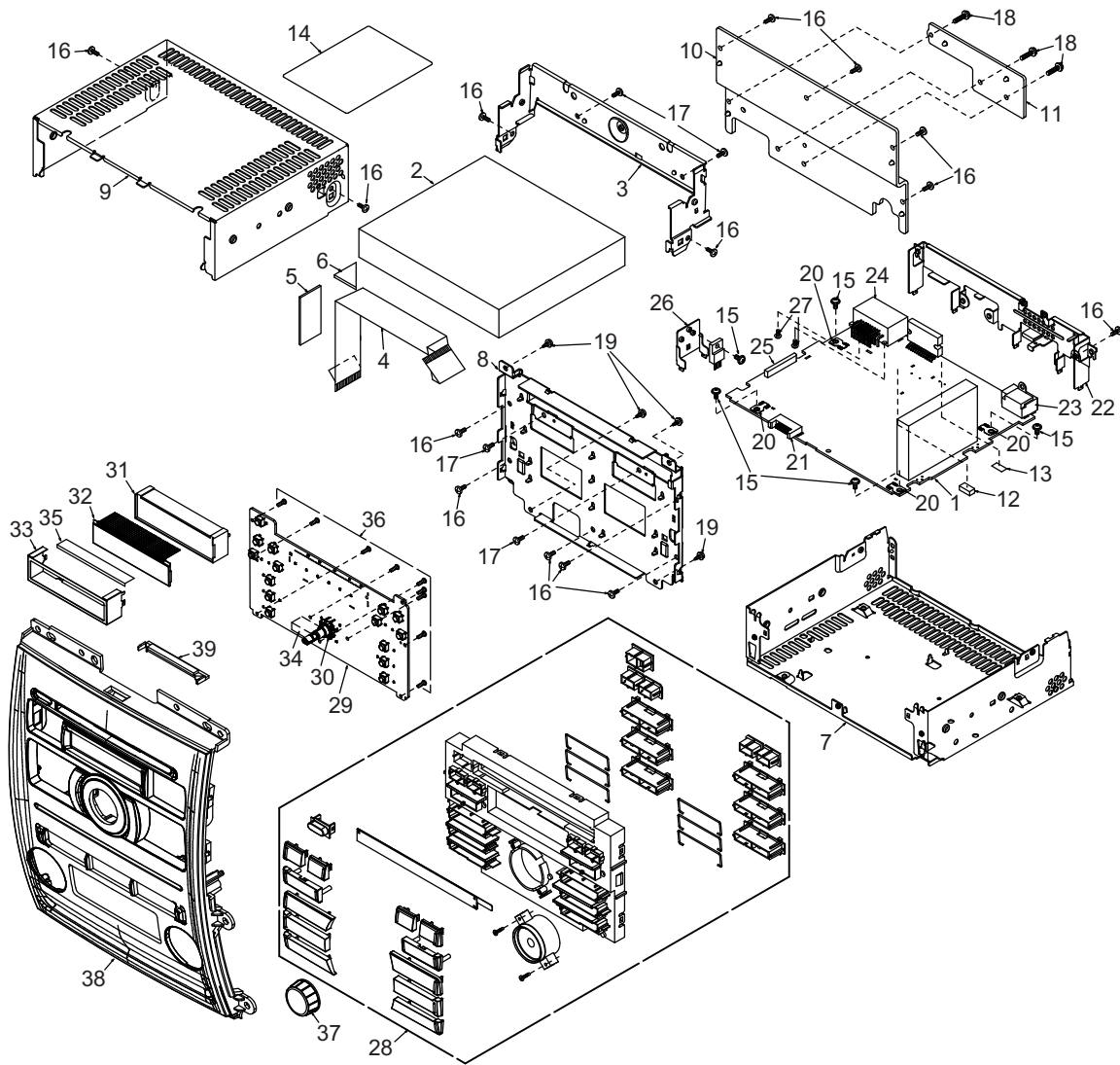


EXPLODED VIEW/PARTS LIST



NO.	PART NO.	DESCRIPTION	Q'TY
1	-----	MAIN PWB	1
2	929-5001-82	CD-MECH-MODULE	1
3	331-4038-00	MECH-BRKT	1
4	816-4022-50	FLAT WIRE	1
5	347-7400-00	WIRE SUPPORT	1
6	345-5802-00	CUSHION RUBBER	1
7	311-1907-02	LOWER CASE	1
8	331-4507-00	ES-PLATE	1
9	310-1814-00	UPPER CASE	1
10	313-1950-40	HEAT SINK	1
11	313-2005-00	SUB-HEAT SINK	1
12	345-4220-10	RUBBER PART	1
13	347-8258-00	SPACER	1
14	276-0206-14	SETPLATE(PP3056HA)	1
	276-0206-15	SETPLATE(PP3056HB)	1
15	716-0878-50	SCREW(M2.6x5)	5
16	714-2606-8B	MACHINE SCREW(M2.6x6)	14
17	714-2603-8H	MACHINE SCREW(M2.6x3)	4
18	735-2614-1B	D-SEMS SCREW	3
19	716-1553-50	SCREW	4
20	073-0768-90	TERMINAL	4

NO.	PART NO.	DESCRIPTION	Q'TY
21	076-3011-64	PLUG	1
22	331-4040-00	REAR PLATE	1
23	092-2210-01	ANT-RECEPT	1
24	074-4009-20	OUTLET SOCKET	1
25	074-2003-76	OUTLET SOCKET	1
26	331-3835-00	TR HOLDER	1
27	778-3006-00	TAP-SCREW	2
28	940-8213-00	ESCUTCHEON-ASSY	1
29	-----	SWITCH PWB	1
30	016-0026-00	VR W/SHAFT	1
31	335-8209-00	LCD HOLDER	1
32	379-1396-30	INDICATOR	1
33	331-4048-00	LCD-CVR	1
34	074-3014-64	OUTLET SOCKET	1
35	347-8549-00	PROTECTOR	1
36	716-0778-51	SCREW(M2x6)	9
37	380-5689-10	KNOB	1
38	370-6323-00	ESCUTCHEON(A)	1
39	335-8238-00	ILLUMI(CD)	1

ELECTRICAL PARTS LIST

Note) In PP-3056H-A and PP-3056H-B, parts of the equalizer circuit are different.

Main PWB(B1) section

Please refer to "DESCRIPTION".

REF No.	PART No.	DESCRIPTION	REF No.	PART No.	DESCRIPTION	REF No.	PART No.	DESCRIPTION
ANT101	092-2210-01	ANT-RECEPT	C307	188-2263-18	6.3V 22uF	C502	188-1063-38	16V 10uF
BL101	880-1921C	AM/FM-TUNER	C308	178-4742-78	0.47uF	C503	188-1063-38	16V 10uF
C108	119-0000-05	1/10W 0 ohm JW	C309	168-1222-55	1200pF K	C504	188-1063-38	16V 10uF
C113	168-1032-55	0.01uF K	C310	168-1222-55	1200pF K	C509	166-2201-50	22pF CH
C121	166-1201-50	12pF CH	C311	178-4742-78	0.47uF	C510	166-2201-50	22pF CH
C122	166-1007-50	10pF CH	C312	168-1052-78	16V 1uF	C513	166-2201-50	22pF CH
C123	168-1042-78	16V 0.1uF	C313	168-1052-78	16V 1uF	C514	166-2201-50	22pF CH
C126	188-1073-28	10V 100uF	C314	178-1842-78	0.18uF	C515	166-2201-50	22pF CH
C127	166-2201-50	22pF CH	C315	178-1842-78	0.18uF	C516	166-2201-50	22pF CH
C128	043-0277-51	0.022uF	C316	178-1842-78	0.18uF	C519	166-2201-50	22pF CH
C129	168-1042-78	16V 0.1uF	C317	178-1842-78	0.18uF	C520	166-2201-50	22pF CH
C130	188-1073-28	10V 100uF	C318	168-8212-55	820pF K	C521	178-4722-78	4700pF
C131	168-1022-55	1000pF K	C319	168-8212-55	820pF K	C522	178-5632-78	0.056uF(PP3056HA)
C132	166-2201-50	22pF CH	C320	168-8212-55	820pF K		178-6822-78	6800pF(PP3056HB)
C133	168-1042-78	16V 0.1uF	C321	168-8212-55	820pF K	C523	178-5622-78	5600pF
C134	042-1458-93	50V 2.2uF	C322	188-1063-38	16V 10uF	C524	178-1532-78	0.015uF(PP3056HA)
C135	168-8212-55	820pF K	C323	188-1063-38	16V 10uF		178-1232-78	0.012uF(PP3056HB)
C136	166-2201-50	22pF CH	C324	168-1832-55	0.018uF K	C525	166-2201-50	22pF CH
C137	168-4712-55	470pF K	C401	188-4763-38	16V 47uF	C526	166-2201-50	22pF CH
C138	187-4763-37	16V 47uF	C403	042-0416-59	10V 33uF M TAN	C527	166-2201-50	22pF CH
C139	166-1011-50	100pF CH	C405	168-1042-78	16V 0.1uF	C528	166-2201-50	22pF CH
C141	166-1011-50	100pF CH	C407	168-1042-78	16V 0.1uF	C529	178-5622-78	5600pF
C142	168-1042-78	16V 0.1uF	C408	042-1452-82	16V 100uF	C530	178-1532-78	0.015uF(PP3056HA)
C143	188-1073-28	10V 100uF	C409	168-4742-78	0.47uF		178-1232-78	0.012uF(PP3056HB)
C144	168-1052-78	16V 1uF	C410	168-1052-78	16V 1uF	C531	178-4722-78	4700pF
C147	168-1022-55	1000pF K	C413	178-4742-78	0.47uF(PP3056HA)	C532	178-5632-78	0.056uF(PP3056HA)
C148	178-1042-78	0.1uF		178-8232-78	0.082uF(PP3056HB)		178-6822-78	6800pF(PP3056HB)
C150	188-3363-28	10V 33uF	C414	178-4742-78	0.47uF(PP3056HA)	C533	178-1042-78	0.1uF
C151	168-3932-78	0.039uF K		178-8232-78	0.082uF(PP3056HB)	C534	178-1042-78	0.1uF
C152	168-1042-78	16V 0.1uF	C415	178-8232-78	0.082uF(PP3056HA)	C535	178-1242-78	0.12uF
C153	168-3932-78	0.039uF K		178-4742-78	0.47uF(PP3056HB)	C536	178-1242-78	0.12uF
C154	188-3353-68	50V 3.3uF	C416	178-8232-78	0.082uF(PP3056HA)	C537	178-8232-78	0.082uF
C155	168-2245-79	0.22uF Z		178-4742-78	0.47uF(PP3056HB)	C538	178-8232-78	0.082uF
C156	168-3332-78	0.033uF K	C417	188-1063-38	16V 10uF	C539	178-5632-78	0.056uF
C157	168-1032-55	0.01uF K	C419	188-1063-38	16V 10uF	C540	178-5632-78	0.056uF
C158	168-6832-78	0.068uF K	C420	168-1042-78	16V 0.1uF	C541	166-2201-50	22pF CH
C159	168-2222-55	2200pF K	C421	188-1063-38	16V 10uF	C542	166-2201-50	22pF CH
C160	168-3332-78	0.033uF K	C422	172-1041-15	0.1uF	C543	166-2201-50	22pF CH
C161	168-4722-55	4700pF K	C423	189-3383-32	16V 3300uF	C544	166-2201-50	22pF CH
C162	168-3332-78	0.033uF K	C425	168-6822-55	6800pF K	C545	166-2201-50	22pF CH
C163	178-2255-79	2.2uF	C426	168-6822-55	6800pF K	C546	166-2201-50	22pF CH
C164	168-3332-78	0.033uF K	C427	168-6822-55	6800pF K	C547	166-2201-50	22pF CH
C165	178-2255-79	2.2uF	C428	168-6822-55	6800pF K	C548	166-2201-50	22pF CH
C166	168-5632-78	16V 0.056uF	C429	168-1042-78	16V 0.1uF	C549	178-1242-78	0.12uF
C167	168-2232-55	0.022uF K	C430	168-6822-55	6800pF K	C550	178-1242-78	0.12uF
C168	168-1022-55	1000pF K	C431	168-6822-55	6800pF K	C551	178-6822-78	6800pF(PP3056HA)
C169	168-8212-55	820pF K	C432	168-6822-55	6800pF K		178-4732-78	0.047uF(PP3056HB)
C170	166-1007-50	10pF CH	C433	168-6822-55	6800pF K	C552	178-6822-78	6800pF(PP3056HA)
C171	166-1007-50	10pF CH	C435	168-1042-78	16V 0.1uF		178-4732-78	0.047uF(PP3056HB)
C172	166-1007-50	10pF CH	C436	168-1042-78	16V 0.1uF	C553	043-0309-92	10V 0.68uF
C201	166-1007-50	10pF CH	C437	188-1063-38	16V 10uF	C554	043-0309-92	10V 0.68uF
C202	168-1042-78	16V 0.1uF	C438	168-1042-78	16V 0.1uF	C555	178-2222-78	2200pF(PP3056HA)
C203	168-1022-55	1000pF K	C439	168-1042-78	16V 0.1uF		178-2232-78	0.022uF(PP3056HB)
C204	163-3363-45	25V 33uF	C440	188-1053-68	50V 1uF	C556	178-2222-78	2200pF(PP3056HA)
C205	168-1022-55	1000pF K	C442	168-1022-55	1000pF K		178-2232-78	0.022uF(PP3056HB)
C206	166-1011-50	100pF CH	C443	168-1022-55	1000pF K	C557	178-6832-78	0.068uF
C207	166-1011-50	100pF CH	C444	178-4742-78	0.47uF	C558	178-6832-78	0.068uF
C208	166-1011-50	100pF CH	C445	178-4742-78	0.47uF(PP3056HA)	C559	178-8232-78	0.082uF(PP3056HA)
C209	166-1011-50	100pF CH		178-8232-78	0.082uF(PP3056HB)		178-1042-78	0.1uF(PP3056HB)
C212	166-2201-50	22pF CH	C446	178-4742-78	0.47uF(PP3056HA)	C560	178-8232-78	0.082uF(PP3056HA)
C213	168-1042-78	16V 0.1uF		178-8232-78	0.082uF(PP3056HB)		178-1042-78	0.1uF(PP3056HB)
C215	168-1042-78	16V 0.1uF	C447	178-8232-78	0.082uF(PP3056HA)	C561	178-6832-78	0.068uF
C216	187-1073-27	10V 100uF		178-4742-78	0.47uF(PP3056HB)	C562	178-8232-78	0.082uF(PP3056HA)
C218	168-1052-78	16V 1uF	C448	178-8232-78	0.082uF(PP3056HA)		178-1042-78	0.1uF(PP3056HB)
C219	168-1042-78	16V 0.1uF		178-4742-78	0.47uF(PP3056HB)	C563	166-2201-50	22pF CH
C220	166-1007-50	10pF CH	C450	168-1042-78	16V 0.1uF	C564	166-2201-50	22pF CH
C301	168-1052-78	16V 1uF	C451	172-1041-15	0.1uF	C565	166-2201-50	22pF CH
C302	178-1242-78	0.12uF	C452	166-2201-50	22pF CH	C566	166-2201-50	22pF CH
C303	178-1242-78	0.12uF	C453	166-2201-50	22pF CH	C567	178-6832-78	0.068uF
C304	178-1242-78	0.12uF	C454	166-2201-50	22pF CH	C568	178-8232-78	0.082uF(PP3056HA)
C305	178-1242-78	0.12uF	C455	166-2201-50	22pF CH		178-1042-78	0.1uF(PP3056HB)
C306	168-1052-78	16V 1uF	C501	188-1063-38	16V 10uF	C571	188-1063-38	16V 10uF

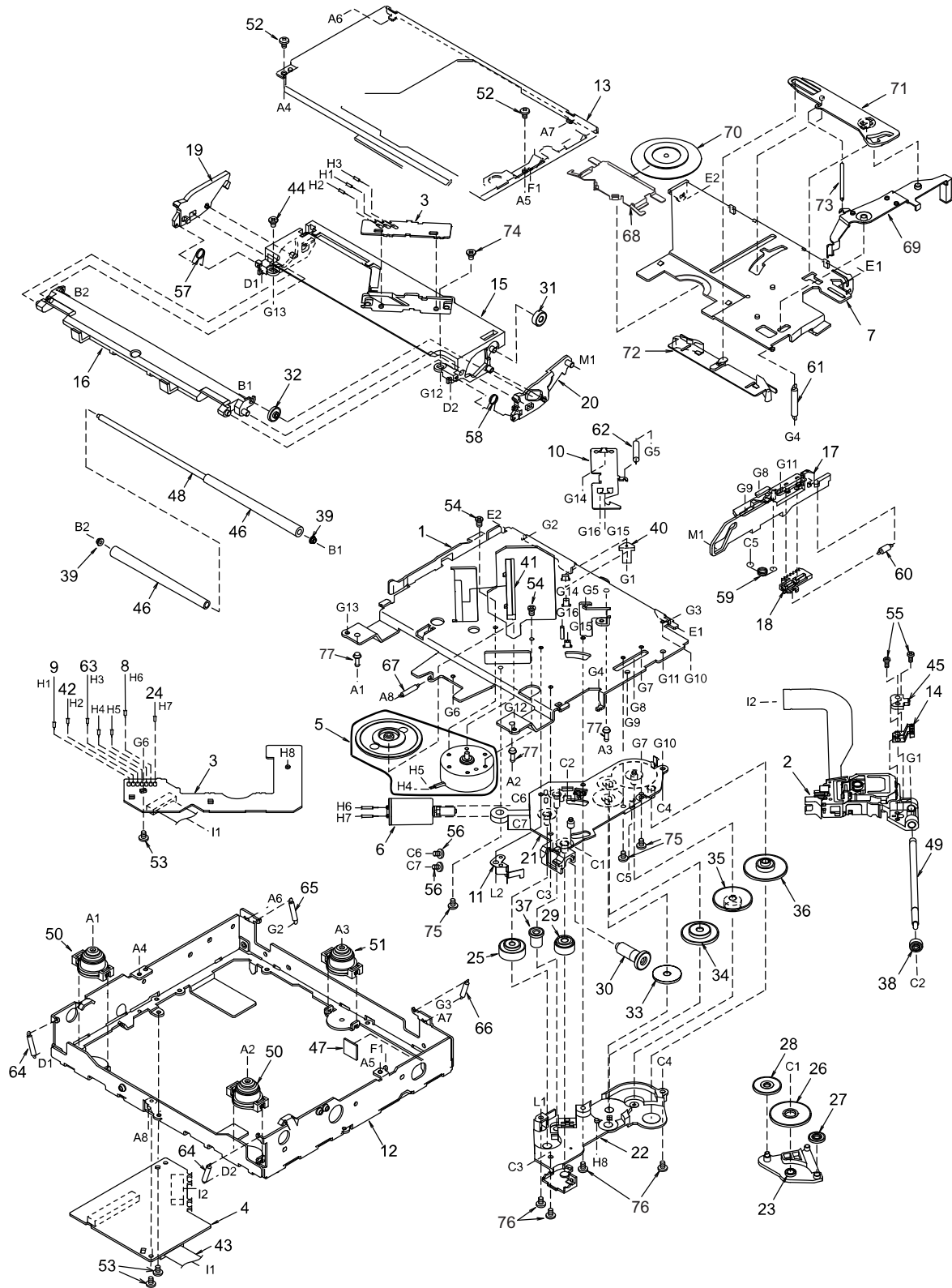
REF No.	PART No.	DESCRIPTION	REF No.	PART No.	DESCRIPTION	REF No.	PART No.	DESCRIPTION
CCT201	050-0145-52	1/16W 1k ohm x4	R138	119-1231-15	1/10W 12k ohm	R420	116-3911-15	1/4W 390 ohm
CCT202	050-0145-52	1/16W 1k ohm x4	R139	119-1021-15	1/10W 1k ohm	R421	116-3911-15	1/4W 390 ohm
CCT203	050-0145-52	1/16W 1k ohm x4	R140	119-1021-15	1/10W 1k ohm	R422	119-1041-15	1/10W 100k ohm
CCT204	050-0145-52	1/16W 1k ohm x4	R141	119-1841-15	1/10W 180k ohm	R423	116-6811-15	1/4W 680 ohm
CCT205	050-0145-52	1/16W 1k ohm x4	R142	119-2221-15	1/10W 2.2k ohm	R426	116-2721-15	1/4W 2.7k ohm
CCT206	050-0145-52	1/16W 1k ohm x4	R143	119-1031-15	1/10W 10k ohm	R428	119-5611-15	1/10W 560 ohm
CCT207	050-0145-52	1/16W 1k ohm x4	R144	119-5621-15	1/10W 5.6k ohm	R429	119-1031-15	1/10W 10k ohm
CCT208	050-0145-52	1/16W 1k ohm x4	R146	119-1031-15	1/10W 10k ohm	R430	116-1831-15	1/4W 18k ohm
CCT209	050-0145-52	1/16W 1k ohm x4	R147	119-2221-15	1/10W 2.2k ohm	R431	119-4721-15	1/10W 4.7k ohm
CCT211	050-0145-52	1/16W 1k ohm x4	R148	119-1021-15	1/10W 1k ohm	R432	119-5611-15	1/10W 560 ohm
CCT212	050-0145-52	1/16W 1k ohm x4	R149	119-6821-15	1/10W 6.8k ohm	R433	116-4791-15	1/4W 4.7 ohm
D401	001-0529-48	MA8091-H	R201	119-1021-15	1/10W 1k ohm	R434	116-4791-15	1/4W 4.7 ohm
D402	001-0516-90	MA111	R202	119-1021-15	1/10W 1k ohm	R436	116-1531-15	1/4W 15k ohm
D403	001-2412-90	RR264M-400	R203	119-1031-15	1/10W 10k ohm	R437	119-0000-05	1/10W 0 ohm JW
D405	001-0504-31	HZS6 A2L	R204	119-0000-05	1/10W 0 ohm JW	R439	117-3941-15	1/8W 390k ohm
D406	001-0504-45	HZS9 B1L	R205	119-4731-15	1/10W 47k ohm	R440	117-3941-15	1/8W 390k ohm
D407	001-2015-00	RL253	R206	119-1031-15	1/10W 10k ohm	R443	119-0000-05	1/10W 0 ohm
D408	001-0529-48	MA8091-H	R207	119-4731-15	1/10W 47k ohm			JW(PP3056HA)
D409	001-0529-34	MA8062-L	R208	119-3311-15	1/10W 330 ohm	R444	119-0000-05	1/10W 0 ohm
D410	001-0580-90	1SS352	R209	119-3311-15	1/10W 330 ohm			JW(PP3056HA)
IC103	051-4618-90	HA12181FP-EL-E	R210	119-4731-15	1/10W 47k ohm	R445	119-0000-05	1/10W 0 ohm
IC201	052-1187-30	LC723663-9D59-E	R211	119-1031-15	1/10W 10k ohm			JW(PP3056HB)
IC301	051-5029-00	LC75412EH	R212	119-1031-15	1/10W 10k ohm	R446	119-0000-05	1/10W 0 ohm
IC401	051-3341-90	BD3931FP	R213	119-1031-15	1/10W 10k ohm			JW(PP3056HB)
IC402	051-2066-00	TB2923HQ	R214	119-4731-15	1/10W 47k ohm			
IC501	051-3019-90	NJM2060V	R215	119-4731-15	1/10W 47k ohm	R501	119-3331-15	1/10W 33k ohm
IC502	051-3019-90	NJM2060V	R217	119-1031-15	1/10W 10k ohm	R502	119-3331-15	1/10W 33k ohm
IC503	051-3019-90	NJM2060V	R218	119-1031-15	1/10W 10k ohm	R503	119-3331-15	1/10W 33k ohm
IC504	051-3019-90	NJM2060V	R219	119-4731-15	1/10W 47k ohm	R504	119-3331-15	1/10W 33k ohm
IC505	051-3019-90	NJM2060V	R220	119-2231-15	1/10W 22k ohm	R505	119-2231-15	1/10W 22k ohm
J201	074-2003-76	26P	R222	119-1031-15	1/10W 10k ohm	R506	119-2231-15	1/10W 22k ohm
J202	076-3011-64	14P	R223	119-1041-15	1/10W 100k ohm	R507	119-2231-15	1/10W 22k ohm
J401	074-4009-20	20P	R224	119-1031-15	1/10W 10k ohm	R508	119-2231-15	1/10W 22k ohm
JW401	060-0054-03	JW 10mm	R226	119-4731-15	1/10W 47k ohm	R513	119-4721-15	1/10W 4.7k ohm
JW402	060-0054-03	JW 10mm	R228	119-1031-15	1/10W 10k ohm	R514	119-1031-15	1/10W 10k ohm
JW403	060-0054-03	JW 10mm	R229	119-1021-15	1/10W 1k ohm	R515	119-1031-15	1/10W 10k ohm
L104	010-2003-04	30uH	R230	119-1031-15	1/10W 10k ohm	R516	119-4721-15	1/10W 4.7k ohm
L105	010-3407-75	120uH J	R233	119-1031-15	1/10W 10k ohm	R521	119-4721-15	1/10W 4.7k ohm
L201	010-6009-64	2.2uH J	R236	119-1041-15	1/10W 100k ohm	R522	119-1031-15	1/10W 10k ohm
L401	009-0680-60	200uH	R237	119-4731-15	1/10W 47k ohm	R523	119-1031-15	1/10W 10k ohm
Q105	192-4116-51	2SC4116 G,L	R238	119-4731-15	1/10W 47k ohm	R524	119-4721-15	1/10W 4.7k ohm
Q106	192-4116-51	2SC4116 G,L	R240	119-2231-15	1/10W 22k ohm	R525	119-2221-15	1/10W 2.2k ohm
Q108	190-1162-00	2SA1162	R241	119-0000-05	1/10W 0 ohm JW	R528	119-2221-15	1/10W 2.2k ohm
Q109	190-1162-00	2SA1162	R242	119-3341-15	1/10W 330k ohm	R529	119-2221-15	1/10W 2.2k ohm
Q205	125-0002-92	RN2402	R243	119-4731-15	1/10W 47k ohm	R532	119-2221-15	1/10W 2.2k ohm
Q401	193-2118-00	2SD2118F5	R244	119-4731-15	1/10W 47k ohm	R533	119-4721-15	1/10W 4.7k ohm
Q402	191-1197-50	2SB1197K Q,R	R245	119-0000-05	1/10W 0 ohm JW	R536	119-8211-15	1/10W 820 ohm(PP3056HA)
Q403	125-2026-91	UN5211	R303	119-0000-05	1/10W 0 ohm JW		119-2721-15	1/10W 2.7k ohm(PP3056HB)
Q404	125-0020-91	UN5111	R304	119-0000-05	1/10W 0 ohm JW	R537	119-5611-15	1/10W 560 ohm
Q405	125-2026-91	UN5211	R305	119-0000-05	1/10W 0 ohm JW	R538	119-5611-15	1/10W 560 ohm
Q408	193-1858-00	2SD1858	R306	119-0000-05	1/10W 0 ohm JW	R539	119-4731-15	1/10W 47k ohm
Q409	125-9003-92	IMD3	R307	119-0000-05	1/10W 0 ohm JW	R540	119-4731-15	1/10W 47k ohm
Q410	103-2012-00	2SD2012	R308	119-0000-05	1/10W 0 ohm JW	R541	119-4731-15	1/10W 47k ohm
Q411	125-2026-91	UN5211	R309	119-1821-15	1/10W 1.8k ohm	R542	119-4731-15	1/10W 47k ohm
Q412	193-2118-00	2SD2118F5	R310	119-3931-15	1/10W 39k ohm	R543	119-5611-15	1/10W 560 ohm
Q414	193-1306-00	2SD1306	R311	119-3931-15	1/10W 39k ohm	R544	119-5611-15	1/10W 560 ohm
Q415	192-2712-00	2SC2712	R312	119-1821-15	1/10W 1.8k ohm	R547	119-4721-15	1/10W 4.7k ohm
Q416	192-2712-00	2SC2712	R313	119-4721-15	1/10W 4.7k ohm	R548	119-8211-15	1/10W 820 ohm(PP3056HA)
Q501	192-2712-00	2SC2712	R314	119-4721-15	1/10W 4.7k ohm		119-2721-15	1/10W 2.7k ohm(PP3056HB)
R106	119-0000-05	1/10W 0 ohm JW	R315	119-4721-15	1/10W 4.7k ohm	R549	119-3321-15	1/10W 3.3k ohm
R120	119-4741-15	1/10W 470k ohm	R316	119-4721-15	1/10W 4.7k ohm	R550	119-3321-15	1/10W 3.3k ohm
R121	119-2221-15	1/10W 2.2k ohm	R401	116-4711-15	1/4W 470 ohm	R551	119-1221-15	1/10W 1.2k ohm(PP3056HA)
R122	119-2221-15	1/10W 2.2k ohm	R402	116-1821-15	1/4W 1.8k ohm		119-8211-15	1/10W 820 ohm(PP3056HB)
R123	119-2721-15	1/10W 2.7k ohm	R403	119-2231-15	1/10W 22k ohm	R552	119-1221-15	1/10W 1.2k ohm(PP3056HA)
R124	119-1021-15	1/10W 1k ohm	R404	119-4741-15	1/10W 470k ohm		119-8211-15	1/10W 820 ohm(PP3056HB)
R125	119-8201-15	1/10W 82 ohm	R405	119-1231-15	1/10W 12k ohm			ohm(PP3056HA)
R126	119-1021-15	1/10W 1k ohm	R406	119-1021-15	1/10W 1k ohm			ohm(PP3056HB)
R127	119-1021-15	1/10W 1k ohm	R407	119-1031-15	1/10W 10k ohm			
R130	119-0000-05	1/10W 0 ohm JW	R408	119-2231-15	1/10W 22k ohm			
R132	119-1001-15	1/10W 10 ohm	R409	119-2231-15	1/10W 22k ohm			
R133	119-1001-15	1/10W 10 ohm	R410	119-2231-15	1/10W 22k ohm			
R134	119-1501-15	1/10W 15 ohm	R411	119-2231-15	1/10W 22k ohm			
R135	119-1041-15	1/10W 100k ohm	R417	116-2211-15	1/4W 220 ohm			
R136	119-4731-15	1/10W 47k ohm	R418	119-1041-15	1/10W 100k ohm	R553	119-1511-15	1/10W 150 ohm
R137	119-2731-15	1/10W 27k ohm	R419	119-4731-15	1/10W 47k ohm	R554	119-1511-15	1/10W 150 ohm
						R555	119-1511-15	1/10W 150 ohm

REF No.	PART No.	DESCRIPTION	REF No.	PART No.	DESCRIPTION	REF No.	PART No.	DESCRIPTION
R556	119-1511-15	1/10W 150 ohm	R576	119-8221-15	1/10W 8.2k			ohm(PP3056HB)
R557	119-1541-15	1/10W 150k ohm			ohm(PP3056HA)	R594	117-1031-15	1/8W 10k
R558	119-1541-15	1/10W 150k ohm		119-4721-15	1/10W 4.7k			ohm(PP3056HA)
R559	119-1541-15	1/10W 150k ohm			ohm(PP3056HB)		117-1831-15	1/8W 18k
R560	119-1541-15	1/10W 150k ohm	R577	119-1031-15	1/10W 10k ohm			ohm(PP3056HB)
R561	119-1541-15	1/10W 150k ohm	R578	119-1031-15	1/10W 10k ohm	R595	117-6821-15	1/8W 6.8k
R562	119-1541-15	1/10W 150k ohm	R579	119-5131-15	1/10W 51k ohm			ohm(PP3056HA)
R563	119-1541-15	1/10W 150k ohm	R580	119-5131-15	1/10W 51k ohm		117-1031-15	1/8W 10k
R564	119-1541-15	1/10W 150k ohm	R581	119-5131-15	1/10W 51k ohm			ohm(PP3056HB)
R565	119-1511-15	1/10W 150 ohm	R582	119-5131-15	1/10W 51k ohm	R596	117-6821-15	1/8W 6.8k
R566	119-1511-15	1/10W 150 ohm	R583	119-1031-15	1/10W 10k ohm			ohm(PP3056HA)
R567	119-1511-15	1/10W 150 ohm	R584	119-1031-15	1/10W 10k ohm		117-1031-15	1/8W 10k
R568	119-1511-15	1/10W 150 ohm	R585	119-8221-15	1/10W 8.2k ohm			ohm(PP3056HB)
R569	119-8211-15	1/10W 820 ohm	R586	119-8221-15	1/10W 8.2k	R597	119-4721-15	1/10W 4.7k ohm
R570	119-8211-15	1/10W 820 ohm			ohm(PP3056HA)	R598	119-6821-15	1/10W 6.8k ohm
R571	119-8221-15	1/10W 8.2k			ohm(PP3056HA)	R599	119-5111-15	1/10W 510 ohm
		ohm(PP3056HA)			ohm(PP3056HB)	SUP102	060-0122-90	DSP-201M-S00B
	119-2721-15	1/10W 2.7k	R587	119-6831-15	1/10W 68k ohm	TC201	004-1580-60	30pF
		ohm(PP3056HB)	R588	119-6831-15	1/10W 68k ohm	TM101	073-0768-90	TERMINAL
R572	119-8221-15	1/10W 8.2k	R589	119-1031-15	1/10W 10k ohm	TM102	073-0768-90	TERMINAL
		ohm(PP3056HA)	R590	119-1031-15	1/10W 10k ohm	TM401	073-0768-90	TERMINAL
	119-2721-15	1/10W 2.7k	R591	119-1031-15	1/10W 10k ohm	TM402	073-0768-90	TERMINAL
		ohm(PP3056HB)	R592	119-1031-15	1/10W 10k ohm	VR102	012-6018-56	VR 10k ohm
R573	119-6831-15	1/10W 68k ohm	R593	117-1031-15	1/8W 10k	X201	061-1053-00	4.5MHz
R574	119-6831-15	1/10W 68k ohm			ohm(PP3056HA)	PWB	039-3299-00	PWB(WITHOUT COMPONENTS)
R575	119-8221-15	1/10W 8.2k ohm		117-1831-15	1/8W 18k			

Switch PWB(B2) section

REF No.	PART No.	DESCRIPTION	REF No.	PART No.	DESCRIPTION	REF No.	PART No.	DESCRIPTION
C601	043-0616-90	6.3V 33uF			YEL	R605	119-1021-15	1/10W 1k ohm
C602	166-1011-50	100pF CH	D630	001-7093-91	RFY1112H-16-TR	R606	119-1021-15	1/10W 1k ohm
C603	168-1042-78	16V 0.1uF			YEL	R607	119-1021-15	1/10W 1k ohm
C604	168-1042-78	16V 0.1uF	D631	001-7093-91	RFY1112H-16-TR	R608	119-1021-15	1/10W 1k ohm
C605	168-1042-78	16V 0.1uF			YEL	R609	119-8211-15	1/10W 820 ohm
C606	168-6812-55	680pF K	D632	001-7093-91	RFY1112H-16-TR	R610	119-8211-15	1/10W 820 ohm
C607	168-1052-78	16V 1uF			YEL	R611	119-1021-15	1/10W 1k ohm
C608	168-1042-78	16V 0.1uF	D633	001-7093-91	RFY1112H-16-TR	R612	116-2421-15	1/4W 2.4k ohm
C609	168-1052-78	16V 1uF			YEL	R613	116-2021-15	1/4W 2k ohm
CCT601	050-0145-52	1/16W 1k ohm x4	D634	001-7093-91	RFY1112H-16-TR	R614	119-6831-15	1/10W 68k ohm
CCT602	050-0145-52	1/16W 1k ohm x4			YEL	R615	116-2421-15	1/4W 2.4k ohm
CCT603	050-0145-52	1/16W 1k ohm x4	D635	001-7093-91	RFY1112H-16-TR	R616	116-2221-15	1/4W 2.2k ohm
D602	001-0516-90	MA111			YEL	R617	116-2221-15	1/4W 2.2k ohm
D604	001-0516-90	MA111	D636	001-7093-91	RFY1112H-16-TR	R618	116-2421-15	1/4W 2.4k ohm
D606	001-0516-90	MA111			YEL	R619	116-1821-15	1/4W 1.8k ohm
D608	001-0516-90	MA111	D637	001-7093-91	RFY1112H-16-TR	R620	116-2421-15	1/4W 2.4k ohm
D609	001-0516-90	MA111			YEL	R621	116-2221-15	1/4W 2.2k ohm
D610	001-0516-90	MA111	D638	001-7093-91	RFY1112H-16-TR	R622	116-3321-15	1/4W 3.3k ohm
D611	001-0516-90	MA111			YEL	R624	116-2221-15	1/4W 2.2k ohm
D612	001-0516-90	MA111	D639	001-7093-91	RFY1112H-16-TR	R625	116-3321-15	1/4W 3.3k ohm
D617	001-7093-91	RFY1112H-16-TR			YEL	R626	116-1221-15	1/4W 1.2k ohm
		YEL	D640	001-7093-91	RFY1112H-16-TR	R627	116-1521-15	1/4W 1.5k ohm
D618	001-7093-91	RFY1112H-16-TR			YEL	R628	116-2721-15	1/4W 2.7k ohm
		YEL	D641	001-7093-91	RFY1112H-16-TR	S601	013-6201-53	SKPMAPE010
D619	001-7093-91	RFY1112H-16-TR			YEL	S602	013-6201-53	SKPMAPE010
		YEL	D642	001-7093-91	RFY1112H-16-TR	S603	013-6202-52	SKPMBJE010
D620	001-7093-91	RFY1112H-16-TR			YEL	S604	013-6201-53	SKPMAPE010
		YEL	D643	001-7093-91	RFY1112H-16-TR	S605	013-6201-53	SKPMAPE010
D621	001-7093-91	RFY1112H-16-TR			YEL	S606	013-6202-52	SKPMBJE010
		YEL	D644	001-7093-91	RFY1112H-16-TR	S607	013-6202-52	SKPMBJE010
D622	001-7093-91	RFY1112H-16-TR			YEL	S608	013-6201-53	SKPMAPE010
		YEL	D645	001-7093-91	RFY1112H-16-TR	S609	013-6201-53	SKPMAPE010
D623	001-7093-91	RFY1112H-16-TR			YEL	S610	013-6202-52	SKPMBJE010
		YEL	D646	001-7093-91	RFY1112H-16-TR	S611	013-6201-53	SKPMAPE010
D624	001-7093-91	RFY1112H-16-TR			YEL	S612	013-6201-53	SKPMAPE010
		YEL	D647	001-7093-91	RFY1112H-16-TR	S613	013-6201-53	SKPMAPE010
D625	001-7093-91	RFY1112H-16-TR			YEL	S614	013-6201-53	SKPMAPE010
		YEL	D648	001-7093-91	RFY1112H-16-TR	S615	013-6201-53	SKPMAPE010
D626	001-7093-91	RFY1112H-16-TR			YEL	TM601	073-0778-90	TERMINAL
		YEL	IC601	051-6000-10	LC75853NE	TM602	073-0778-90	TERMINAL
D627	001-7093-91	RFY1112H-16-TR	J601	074-3014-64	14P	VR601	016-0026-00	VR W/SHAFT
		YEL	R601	119-1021-15	1/10W 1k ohm	PWB	039-3300-00	PWB(WITHOUT COMPONENTS)
D628	001-7093-91	RFY1112H-16-TR	R602	119-1021-15	1/10W 1k ohm			
		YEL	R603	119-1021-15	1/10W 1k ohm			
D629	001-7093-91	RFY1112H-16-TR	R604	119-1021-15	1/10W 1k ohm			

EXPLODED VIEW/PARTS LIST



NO.	PART NO.	DESCRIPTION	Q'TY
1	620-1866-20	DRIVE PLATE	1
2	969-0071-30	PICKUP-ASSY	1
3	-----	LED PWB	1
4	-----	CD PWB	1
5	SMA-182-100	MOTOR ASSY(SPINDLE)	1
6	SMA-183-100	MOTOR ASSY(SLED)	1
7	620-1596-23	CLAMPER LINK	1
8	803-4906-60	VINYL-COAT-WIRE(ORG)	1
9	816-2591-00	LEAD(YEL)	1
10	620-1753-20	ID-LOCK PLATE	1
11	620-1026-21	SPRING PLATE	1
12	620-1868-20	LOWER CHASSIS	1
13	620-1862-22	UPPER CHASSIS	1
14	966-1722-20	SH-RACK-ASSY	1
15	621-1742-20	UPPER GUIDE	1
16	621-0718-21	ROLLER GUIDE	1
17	621-1743-20	SHIFT LEVER	1
18	621-1744-20	RACK	1
19	621-1745-20	LOCK ARM L	1
20	621-1746-20	LOCK ARM R	1
21	621-1754-20	GEAR BASE	1
22	621-1747-20	GEAR COVER	1
23	621-1719-20	IDLE CASE	1
24	816-2590-00	LEAD(GRN)	1
25	621-0608-21	SECOND GEAR	1
26	621-0609-20	BASE GEAR	1
27	621-0610-20	IDLE GEAR A	1
28	621-0611-20	IDLE GEAR B	1
29	621-0612-21	ROLLER GEAR A	1
30	621-0719-20	ROLLER GEAR	1
31	621-0720-20	ROLLER GEAR C	1
32	621-0721-20	ROLLER GEAR D	1
33	621-1748-20	POWER GEAR A	1
34	621-1749-20	POWER GEAR B	1
35	621-1750-20	POWER GEAR C	1
36	621-1751-20	POWER GEAR D	1
37	621-0620-20	THREAD GEAR A	1
38	621-0621-20	THREAD GEAR B	1
39	621-1726-20	ROLLER SLEEVE	2

NO.	PART NO.	DESCRIPTION	Q'TY
40	621-0623-23	LS-HOLDER	1
41	621-0624-22	GUIDE RAIL	1
42	816-2593-00	LEAD(PUR)	1
43	816-2542-01	FLAT WIRE	1
44	716-3473-01	SCREW(M2x3)	1
45	621-1729-20	SH-BASE	1
46	621-0711-20	LOADING ROLLER	2
47	345-5476-20	CUSHION RUBBER	1
48	622-1571-21	ROLLER SHAFT	1
49	624-0020-00	LEAD SCREW	1
50	629-0086-20	DAMPER F	2
51	629-0087-20	DAMPER R	1
52	714-2003-8B	MACHIN SCREW(M2x3)	2
53	716-1507-01	SCREW(M2x3)	3
54	716-1733-01	SCREW(M1.7x2.3)	2
55	716-3469-01	SCREW(M3x4)	2
56	716-3551-00	SCREW(M1.4x2.5)	2
57	750-6797-20	ROLLER SPRING L	1
58	750-6798-20	ROLLER SPRING R	1
59	750-7865-20	SHIFT SPRING	1
60	750-7866-20	RACK SPRING	1
61	750-7867-20	CLAMPER SPRING	1
62	750-7868-20	ID-LOCK SPRING	1
63	816-2592-00	LEAD(BLU)	1
64	750-7870-20	DR-SPRING F	2
65	750-7871-20	DR-SPRING RA	1
66	750-7872-20	DR-SPRING RB	1
67	750-7873-20	DR-SPRING C	1
68	620-1023-23	CLAMPER PLATE	1
69	620-1752-20	SENSOR ARM	1
70	621-1753-20	CLAMPER RING	1
71	621-0728-20	STOPPER LINK	1
72	621-1752-20	DISC STOPPER	1
73	750-7869-20	SENSOR SPRING	1
74	781-1730-00	SCREW(M1.7x3)	1
75	780-2025-00	SCREW(M2x2.5)	3
76	716-1670-01	SCREW(M2x4)	4
77	622-1570-21	DAMPER PIN	3

ELECTRICAL PARTS LIST

CD PWB(BM1) section

REF No.	PART No.	DESCRIPTION	REF No.	PART No.	DESCRIPTION	REF No.	PART No.	DESCRIPTION
C1	168-1042-78	16V 0.1uF	C35	046-6812-58	680pF	R9	033-2211-15	1/10W 220 ohm
C3	163-2273-05	4V220uF	C36	168-1042-78	16V 0.1uF	R11	033-1051-15	1/10W 1M ohm
C4	168-1042-78	16V 0.1uF	C37	168-1042-78	16V 0.1uF	R12	119-2221-15	1/10W 2.2k ohm
C5	163-1073-35	16V100uF	C38	046-1522-58	1500pF	R13	033-2211-15	1/10W 220 ohm
C6	163-1073-35	16V100uF	C39	046-4722-58	4700pF	R14	033-2211-15	1/10W 220 ohm
C7	168-1042-78	16V 0.1uF	C40	046-1032-78	0.01uF	R16	033-2231-15	1/10W 22k ohm
C9	178-1052-78	1uF	C41	046-1532-78	0.015uF	R17	033-3921-15	1/10W 3.9k ohm
C10	042-0560-85	6.3V100uF	C43	168-1042-78	16V 0.1uF	R18	033-3341-15	1/10W 330k ohm
C11	046-4712-58	470pF	C47	045-4701-50	47pF	R19	033-5621-15	1/10W 5.6k ohm
C12	178-1052-78	1uF	C48	168-1042-78	16V 0.1uF	R21	033-2231-15	1/10W 22k ohm
C13	046-4712-58	470pF	C49	168-1042-78	16V 0.1uF	R22	033-4731-15	1/10W 47k ohm
C15	168-1042-78	16V 0.1uF	C50	042-0666-00	12.5V 22uF	R24	033-1041-15	1/10W 100k ohm
C16	168-4732-78	0.047uF	C51	046-5622-58	5600pF	R26	033-1531-15	1/10W 15k ohm
C17	168-4732-78	0.047uF	C52	178-1052-78	1uF	R27	033-4731-15	1/10W 47k ohm
C18	168-1042-78	16V 0.1uF	C53	045-1007-50	10pF	R28	033-1831-15	1/10W 18k ohm
C19	168-1042-78	16V 0.1uF	C54	045-1007-50	10pF	R29	033-6821-15	1/10W 6.8k ohm
C21	046-6822-58	6800pF	C55	178-1052-78	1uF	R30	033-8231-15	1/10W 82k ohm
C22	046-3332-78	0.033uF	CCT2	050-0140-63	1/32W 47k ohm x4J	R31	033-8231-15	1/10W 82k ohm
C24	178-1052-78	1uF	D1	001-0367-91	1SS226	R32	119-1001-15	1/10W 10 ohm
C25	168-1042-78	16V 0.1uF	IC1	051-6071-08	BA5825FP-E2	R33	033-2731-15	1/10W 27k ohm
C26	168-1042-78	16V 0.1uF	IC2	051-6399-00	TC94A15F	R34	033-2731-15	1/10W 27k ohm
C28	168-1042-78	16V 0.1uF	J101	074-1228-76	26P	R35	033-2731-15	1/10W 27k ohm
C29	168-1042-78	16V 0.1uF	J201	074-1138-65	15P	R36	033-2731-15	1/10W 27k ohm
C30	045-6801-50	68pF	J301	074-1138-60	10P	R37	032-0162-50	1/10W 0.51 ohm
C31	168-1042-78	16V 0.1uF	Q1	131-1188-50	2SB1188PQR	TM1	073-0768-00	TERMINAL
C32	168-1042-78	16V 0.1uF	Q2	131-1188-50	2SB1188PQR	X2	061-3534-90	16.92MHz
C33	046-1532-78	0.015uF	R1	117-6811-15	1/8W 680 ohm	PWB	039-2846-21	PWB(WITHOUT COMPONENT)
C34	168-1042-78	16V 0.1uF	R2	117-1001-15	1/8W 10 ohm			

LED PWB(BM2) section

REF No.	PART No.	DESCRIPTION	REF No.	PART No.	DESCRIPTION	REF No.	PART No.	DESCRIPTION
D1	001-7058-90	AN1105W-RR	Q1	060-4015-91	PS1192HB-33-TR	S2	013-7413-50	LIMIT
D2	001-7058-90	AN1105W-RR	Q2	060-4015-91	PS1192HB-33-TR	PWB	039-1944-21	PWB(WITHOUT COMPONENT)
J1	074-1138-60	10P	S1	013-7414-50	CHUCKING			