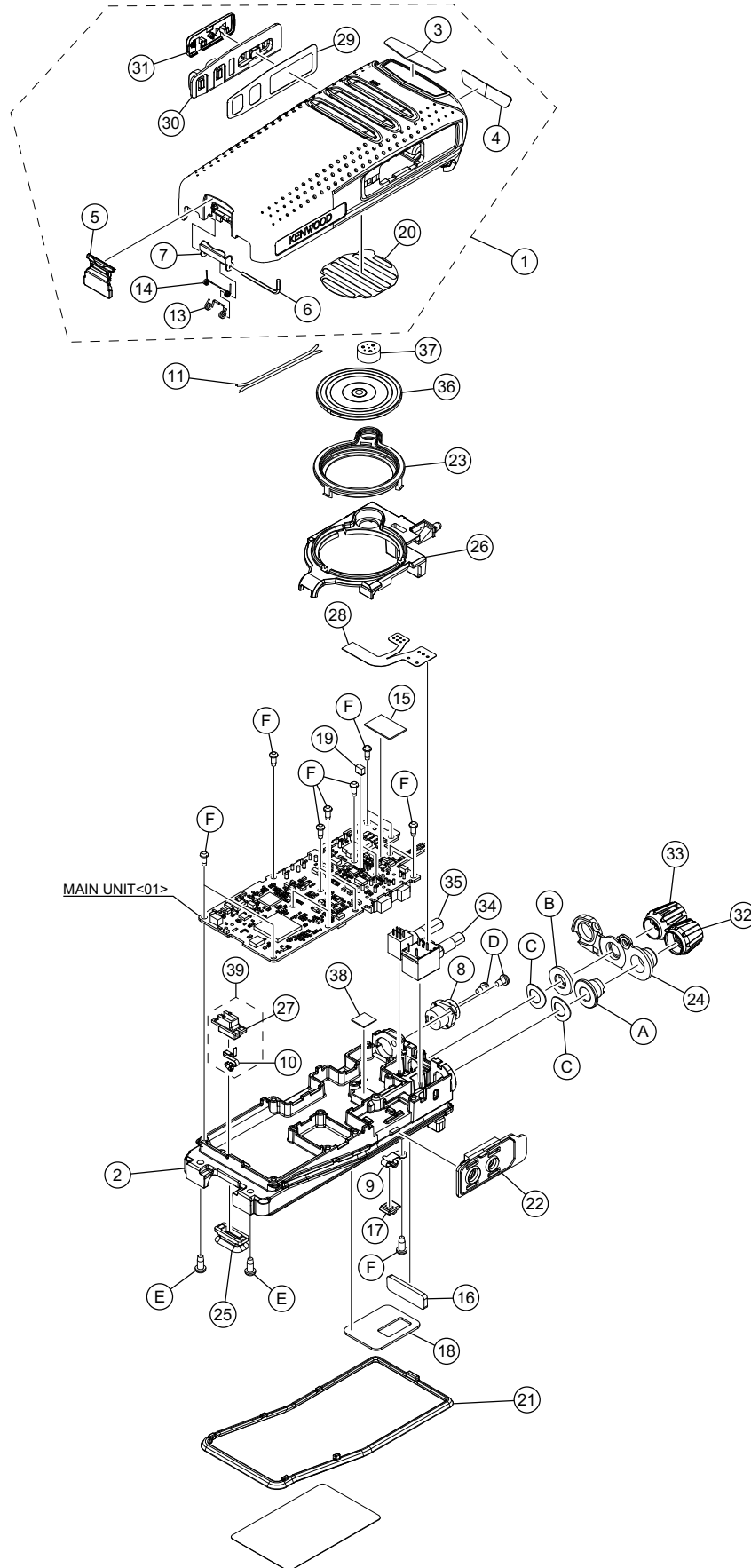


Exploded view of general assembly and parts list

Block No.M1MM



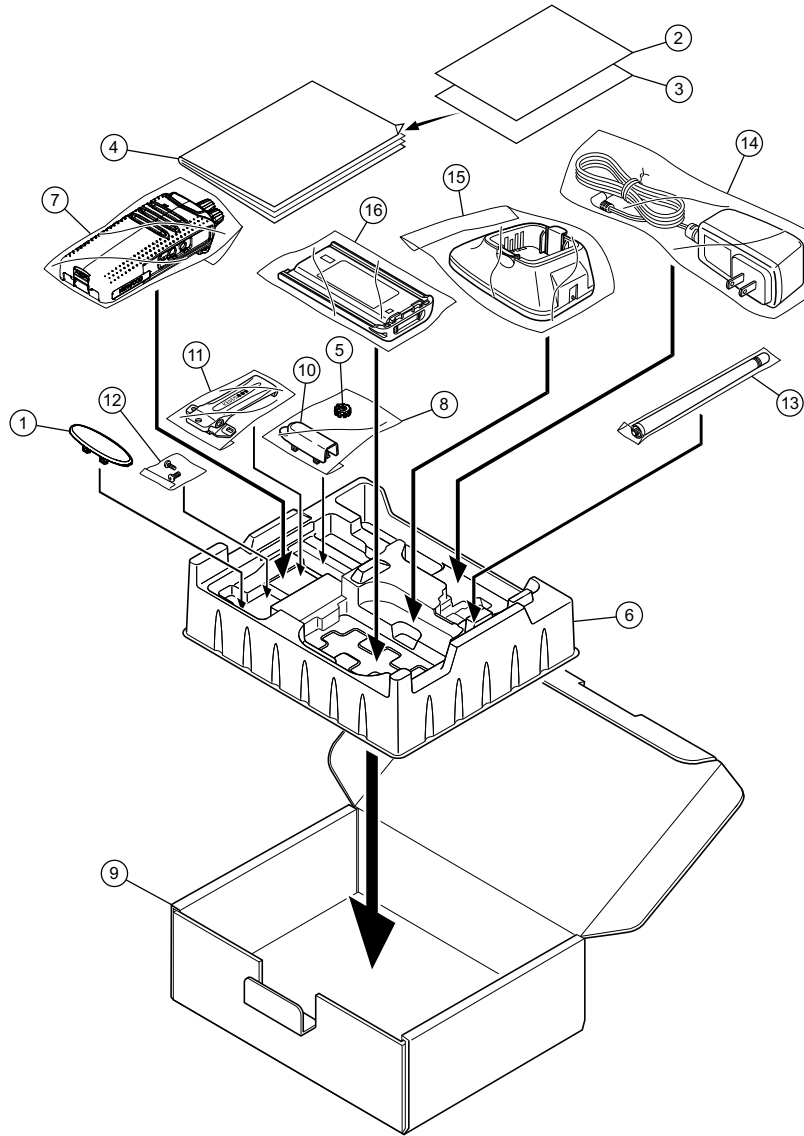
General assembly

Block No. [M][1][M][M]

| △ Symbol No. | Part No. | Part Name | Description | Local |
|--------------|--------------|--------------------|---------------|-------|
| 1 | A0C-0117-00 | P.CABINET ASSEMBLY | | |
| 2 | A1A-0029-00 | CHASSIS | | |
| 3 | B4D-0034-00 | BADGE | FRONT | |
| 4 | B4D-0035-00 | BADGE | REAR | |
| 5 | D10-0649-03 | LEVER | | |
| 6 | D21-0863-04 | SHAFT | | |
| 7 | D32-0441-13 | STOPPER | | |
| 8 | E04-0477-15 | C.RECEPTACLE-SM | | |
| 9 | E23-1253-24 | TERMINAL | GROUND | |
| 10 | E23-1395-04 | TERMINAL | | |
| 11 | E37-1288-05 | PARALLEL CORD | SP | |
| 13 | G01-4543-14 | COIL SPRING | STOPPER | |
| 14 | G01-4542-04 | COIL SPRING | LEVER | |
| 15 | G10-1348-04 | FIBROUS SHEET | PCB AMP | |
| 16 | G13-2009-04 | CUSHION | CHASSIS | |
| 17 | G13-2033-04 | CUSHION | GROUND | |
| 18 | G13-2034-24 | CUSHION | CHASSIS(-) | |
| 19 | G13-2448-04 | CUSHION | PCB,SP | |
| 20 | G1A-0033-00 | FIBROUS SHEET | SP | |
| 21 | G53-1604-03 | PACKING | CHASSIS | |
| 22 | G53-2215-03 | PACKING | SP/MIC | |
| 23 | G53-2216-03 | PACKING | SP | |
| 24 | G53-2217-02 | PACKING | VOL/CH | |
| 25 | G53-2218-03 | PACKING | TERMINAL | |
| 26 | J19-5578-22 | HOLDER | SP | |
| 27 | J19-5579-03 | HOLDER | | |
| 28 | J87-0054-05 | FPC(LEAD FREE) | VOL/CH | |
| 29 | J9K-0012-00 | ADHESIVE SHEET | PTT | |
| 30 | K2K-0187-00 | BUTTON KNOB | MONI/PF | |
| 31 | K2K-0188-00 | BUTTON KNOB | PTT | |
| 32 | K2K-0189-00 | KNOB | VOL | |
| 33 | K2K-0190-00 | KNOB | CH | |
| 34 | R31-0670-35 | V RESISTOR | VOL | |
| 35 | S60-0450-05 | ROTARY SWITCH | CH | |
| 36 | T0H-0011-00 | SPEAKER | | |
| 37 | T91-0659-15 | MIC ELEMENT | | |
| 38 | G11-4465-04 | RUBBER SHEET | FET | |
| 39 | J19-5580-03 | HOLDER ASSEMBLY | | |
| A | N14-0849-05 | CIRCULAR NUT | VOL | |
| B | N14-0869-05 | CIRCULAR NUT | CH | |
| C | N19-2214-05 | SPECIAL WASHER | VOL/CH(x2) | |
| D | N30-2604-48 | P.HEAD M.SCREW | RF RECE(x2) | |
| E | N09-6621-05 | PAN HEAD SCREW | CH(x2) | |
| F | N83-2005-48 | P.HEAD T.SCREW | PCB,TERM(x14) | |
| - | XCA-001E-00S | MAIN UNIT | SERVICE UNIT | |

Packing materials and accessories parts list (TK-D240_K,TK-D240_E,TK-D240V_K)

Block No.M2MM



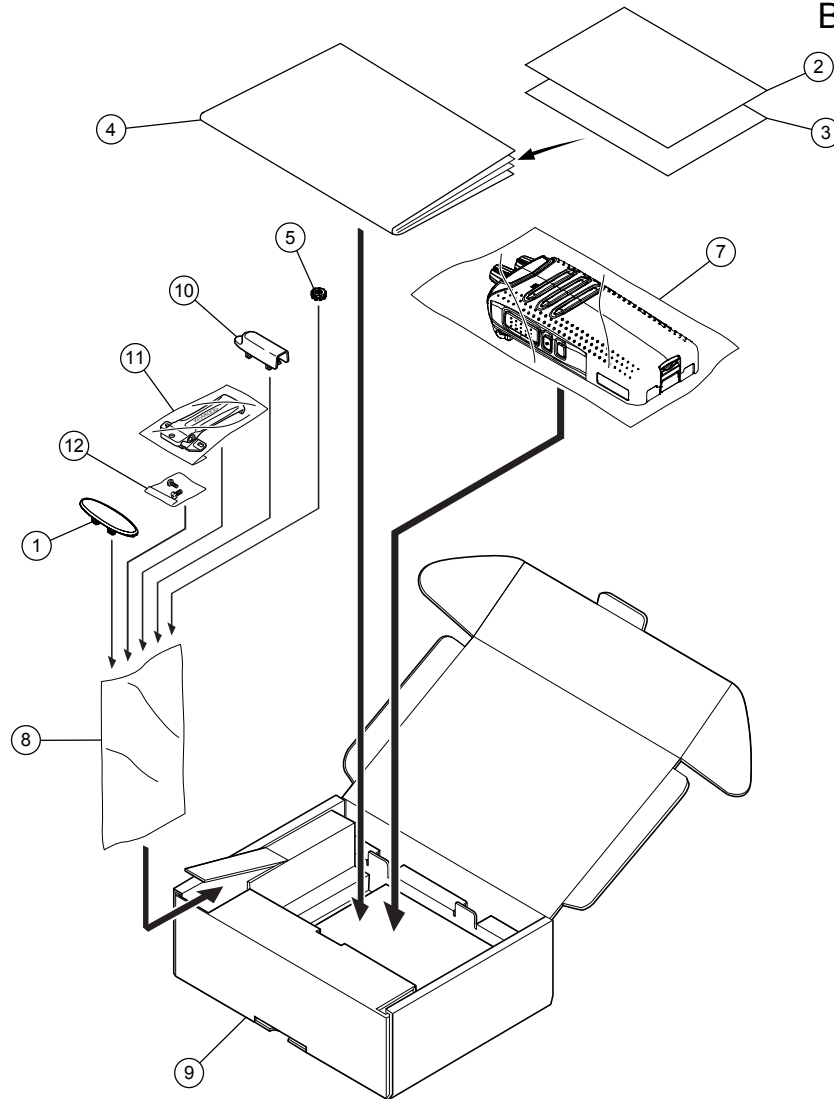
Packing and accessories

Block No. [M][2][M][M]

| Symbol No. | Part No. | Part Name | Description | Local |
|------------|-------------|------------------|-------------|----------------|
| 1 | B0K-0032-00 | CAP | | |
| 2 | ----- | PAMPHLET | | D240_K,D240V_K |
| 3 | ----- | PAMPHLET | ROHS2 | D240_E |
| 4 | B5A-0929-00 | INST.MANUAL | | D240_K,D240V_K |
| 4 | B5A-0930-00 | INST.MANUAL | | D240_E |
| 5 | D32-0456-03 | STOPPER | | |
| 6 | H12-4319-05 | PACKING FIXTURE | ACC | |
| 7 | ----- | PROTECTION BAG | | |
| 8 | ----- | PROTECTION BAG | | |
| 9 | H52-2589-01 | ITEM CARTON | ACC | D240_K,D240V_K |
| 9 | H52-2588-01 | ITEM CARTON | NO ACC | D240_E |
| 10 | J19-5577-03 | HOLDER | | |
| 11 | J29-0734-15 | HOOK ASSEMBLY | | |
| 12 | N99-2089-05 | SCREW SET | | |
| 13 | T90-1036-15 | HELICAL ANTENNA | | D240_K,D240V_K |
| 14 | W08-1247-25 | AC ADAPTER (CC) | | D240_K,D240V_K |
| 14 | W08-1246-25 | AC ADAPTER (CC) | KSC-35SE | D240_E |
| 15 | W08-1249-45 | CHARGER (CC) | KSC-35S | |
| 16 | W0K-0020-00 | LI-ION BAT.P(CC) | 45L TWS | |

Packing materials and accessories parts list (TK-D240_M,TK-D240_E2)

Block No.M3MM



Packing and accessories

Block No. [M][3][M][M]

| △ Symbol No. | Part No. | Part Name | Description | Local |
|--------------|-------------|----------------|-------------|---------|
| 1 | B0K-0032-00 | CAP | | |
| 2 | ----- | PAMPHLET | | D240_M |
| 3 | ----- | PAMPHLET | ROHS2 | D240_E2 |
| 4 | B5A-0931-00 | INST.MANUAL | | D240_M |
| 4 | B5A-0930-00 | INST.MANUAL | | D240_E2 |
| 5 | D32-0456-03 | STOPPER | | |
| 7 | ----- | PROTECTION BAG | | |
| 8 | ----- | PROTECTION BAG | | |
| 9 | H52-2588-01 | ITEM CARTON | NO ACC | |
| 10 | J19-5577-03 | HOLDER | | |
| 11 | J29-0734-15 | HOOK ASSEMBLY | | |
| 12 | N99-2089-05 | SCREW SET | | |

Electrical parts list

MAIN UNIT

XC1-1162-70

Block No. [0][1]

| △ Symbol No. | Part No. | Part Name | Description | Local |
|--------------|---------------|-----------------|-------------|-------|
| IC1 | TC75S51FEF | IC | | |
| IC2 | AK1541 | IC | | |
| IC3 | BD7542FVM | IC | | |
| IC400 | AK2365A | IC | | |
| IC600 | PST8256U | IC | | |
| IC601 | XC6209B502P-G | IC | | |
| IC602 | MM1856A50N | IC | | |
| IC603 | XC6209B502P-G | IC | | |
| IC604 | LDK220M33R | IC | | |
| IC605 | BU4830F | IC | | |
| IC606 | LDK220M33R | IC | | |
| IC650 | TPS62140RGT | IC | | |
| IC700 | E25Q40A104GIP | IC | | |
| IC703 | MM1856A33N | IC | | |
| IC704 | BU7465HFV | IC | | |
| IC705 | CMX7241 | IC | | |
| IC706 | BU7465HFV | IC | | |
| IC707 | TA7368FG | IC | | |
| IC708 | BU7465HFV | IC | | |
| IC709 | NJU7089KV1 | IC | | |
| IC710 | 2F405VGT6KGEA | IC | | |
| IC713 | SM5023CNDH-G | IC | | |
| IC715 | MM1856A33N | IC | | |
| IC717 | BU7465HFV | IC | | |
| IC719 | TC7W53FKF | IC | | |
| IC720 | TC7W53FKF | IC | | |
| IC721 | BU7465HFV | IC | | |
| IC832 | BU7465HFV | IC | | |
| Q1 | SSM3J05FU-F | FET | | |
| Q3 | RE1C001UN | FET | | |
| Q4 | KTC4075EP/YG/ | TRANSISTOR | | |
| Q5 | MCH3914-H/8/ | FET | | |
| Q6 | MCH3914-H/8/ | FET | | |
| Q7 | EM6M2 | FET | | |
| Q8 | SSM3J36TUT | FET | | |
| Q9 | 2SC5108F/Y/ | TRANSISTOR | | |
| Q10 | 2SC5108F/Y/ | TRANSISTOR | | |
| Q11 | 2SC5108F/Y/ | TRANSISTOR | | |
| Q201 | 2SC5455-A | TRANSISTOR | | |
| Q206 | RFM01U7PF | FET | | |
| Q208 | RD07MUS2BT214 | FET | | |
| Q290 | SSM3J36TUT | FET | | |
| Q291 | SSM3J36TUT | FET | | |
| Q297 | EMD9 | TRANSISTOR | | |
| Q298 | LTC044EEBFS8 | DIGI TRANSISTOR | | |
| Q400 | 2SC5108F/Y/ | TRANSISTOR | | |
| Q403 | KTC4075EP/YG/ | TRANSISTOR | | |
| Q404 | 3SK318YB-E | FET | | |
| Q405 | 3SK318YB-E | FET | | |
| Q600 | LTC014EEBFS8 | DIGI TRANSISTOR | | |
| Q601 | EM6M2 | FET | | |
| Q602 | EM6M2 | FET | | |
| Q603 | SSM3K127TUT | FET | | |
| Q604 | LTC014EEBFS8 | DIGI TRANSISTOR | | |
| Q605 | LTC014EEBFS8 | DIGI TRANSISTOR | | |
| Q606 | SSM3J36TUT | FET | | |
| Q620 | LTC044EEBFS8 | DIGI TRANSISTOR | | |
| Q703 | UM6K34N | FET | | |
| Q704 | KTC4075EP/YG/ | TRANSISTOR | | |
| Q705 | 2SC4116F/G/ | TRANSISTOR | | |
| Q706 | 2SA1586F/YG/ | TRANSISTOR | | |
| Q707 | NTJD4001NG | FET | | |
| Q708 | LTC014EEBFS8 | DIGI TRANSISTOR | | |
| Q709 | LTC014EEBFS8 | DIGI TRANSISTOR | | |
| Q710 | 2SB1694 | TRANSISTOR | | |
| Q711 | LTC014EEBFS8 | DIGI TRANSISTOR | | |
| Q712 | LTC044EEBFS8 | DIGI TRANSISTOR | | |
| Q713 | SSM3K324RF | FET | | |
| Q714 | 2SB1132(Q,R) | TRANSISTOR | | |

| △ Symbol No. | Part No. | Part Name | Description | Local |
|--------------|---------------|----------------|---------------|-------|
| Q715 | UMG3N | DIGI TR ARRAY | | |
| Q716 | SSM3K324RF | FET | | |
| D3 | BBY56-02V | VARI CAP DIODE | | |
| D4 | BBY56-02V | VARI CAP DIODE | | |
| D8 | BBY56-02V | VARI CAP DIODE | | |
| D9 | 1SV325F | VARI CAP DIODE | | |
| D10 | KDS160E-P | DIODE | | |
| D11 | 1SV325F | VARI CAP DIODE | | |
| D12 | BBY56-02V | VARI CAP DIODE | | |
| D13 | BBY57-02V | VARI CAP DIODE | | |
| D14 | 1SS390 | DIODE | | |
| D15 | 1SS390 | DIODE | | |
| D16 | BBY56-02V | VARI CAP DIODE | | |
| D17 | 1SV325F | VARI CAP DIODE | | |
| D201 | RN142S | DIODE | | |
| D202 | RN142S | DIODE | | |
| D203 | RN142S | DIODE | | |
| D204 | RN142S | DIODE | | |
| D401 | BBY58-02V | VARI CAP DIODE | | |
| D402 | BBY58-02V | VARI CAP DIODE | | |
| D403 | BBY58-02V | VARI CAP DIODE | | |
| D404 | BBY58-02V | VARI CAP DIODE | | |
| D405 | BBY58-02V | VARI CAP DIODE | | |
| D600 | RB521S-30-TP | DIODE | | |
| D601 | SML-512MW | LED | | |
| D602 | SML-512VWA | LED | | |
| D603 | GS1G-L | DIODE | | |
| D604 | SMLE12BC7TV | LED | | |
| D605 | UDZW5.1B | ZENER DIODE | | |
| D620 | DAN222 | DIODE ARRAY | | |
| D630 | DB2S310 | SCHOTTKY DIODE | | |
| D700 | RB706F-40-MC | DIODE | | |
| D701 | RB706F-40-MC | DIODE | | |
| D702 | 1SS372F | SCHOTTKY DIODE | | |
| D703 | MC2850-1 | DIODE ARRAY | | |
| D754 | RB706F-40-MC | DIODE | | |
| C1 | CK73HBB1H102K | C CAPACITOR | 1000pF 50V K | |
| C5 | CK73HBB1H102K | C CAPACITOR | 1000pF 50V K | |
| C6 | CC73HCH1H101J | C CAPACITOR | 100pF 50V J | |
| C7 | CC73HCH1H100B | C CAPACITOR | 10pF 50V B | |
| C8 | CK73HBB1E103K | C CAPACITOR | 0.01uF 25V K | |
| C9 | CC73HCH1H101J | C CAPACITOR | 100pF 50V J | |
| C11 | CC73HCH1H100B | C CAPACITOR | 10pF 50V B | |
| C13 | CC73HCH1H101J | C CAPACITOR | 100pF 50V J | |
| C15 | CK73HBB1E103K | C CAPACITOR | 0.01uF 25V K | |
| C16 | CK73HBB1E103K | C CAPACITOR | 0.01uF 25V K | |
| C18 | CK73HBB1H102K | C CAPACITOR | 1000pF 50V K | |
| C19 | CK73HBB1E103K | C CAPACITOR | 0.01uF 25V K | |
| C22 | CK73HBB1H102K | C CAPACITOR | 1000pF 50V K | |
| C23 | CK73HBB1E103K | C CAPACITOR | 0.01uF 25V K | |
| C26 | CS77AAV1ER47M | TA E CAPACITOR | 0.47uF 25V M | |
| C27 | CK73HBB1H102K | C CAPACITOR | 1000pF 50V K | |
| C28 | CK73HBB1H102K | C CAPACITOR | 1000pF 50V K | |
| C29 | CC730AD1H683J | C CAPACITOR | 0.068uF 50V J | |
| C30 | CK73HBB1H102K | C CAPACITOR | 1000pF 50V K | |
| C31 | CK73HBB1H102K | C CAPACITOR | 1000pF 50V K | |
| C32 | CK73HBB1H102K | C CAPACITOR | 1000pF 50V K | |
| C33 | CC73HCH1H330J | C CAPACITOR | 33pF 50V J | |
| C34 | CK73HBB1A104K | C CAPACITOR | 0.1uF 10V K | |
| C35 | CC73HCH1H180G | C CAPACITOR | 18pF 50V G | |
| C36 | CC730AD1H104J | C CAPACITOR | 0.1uF 50V J | |
| C37 | CC73HCH1H120G | C CAPACITOR | 12pF 50V G | |
| C38 | CK73HBB1H102K | C CAPACITOR | 1000pF 50V K | |
| C39 | CK73GB0J106K | C CAPACITOR | 10uF 6.3V K | |
| C40 | CC73HCH1H180G | C CAPACITOR | 18pF 50V G | |
| C42 | CK73HBB1A104K | C CAPACITOR | 0.1uF 10V K | |
| C46 | CC73HCH1H101J | C CAPACITOR | 100pF 50V J | |
| C47 | CC73HCH1H101J | C CAPACITOR | 100pF 50V J | |
| C54 | CC73HCH1HR75B | C CAPACITOR | 0.75pF 50V B | |
| C56 | CS77PBQ1C100M | TA E CAPACITOR | 10uF 16V M | |
| C57 | CC73HCH1H080B | C CAPACITOR | 8pF 50V B | |
| C58 | CC73HCH1H150G | C CAPACITOR | 15pF 50V G | |
| C60 | CC73HCH1H100B | C CAPACITOR | 10pF 50V B | |
| C61 | CC73HCH1H120G | C CAPACITOR | 12pF 50V G | |

| △ Symbol No. | Part No. | Part Name | Description | Local | △ Symbol No. | Part No. | Part Name | Description | Local |
|--------------|---------------|-------------|---------------|-------|--------------|---------------|-------------|---------------|-------|
| C64 | CK73HBB1E103K | C CAPACITOR | 0.01uF 25V K | | C285 | CC73GCH1H070B | C CAPACITOR | 7pF 50V B | |
| C65 | CK73HBB1E103K | C CAPACITOR | 0.01uF 25V K | | C290 | CK73HBB1E103K | C CAPACITOR | 0.01uF 25V K | |
| C66 | CC73HCH1H0R5B | C CAPACITOR | 0.5pF 50V B | | C291 | CK73HBB1E103K | C CAPACITOR | 0.01uF 25V K | |
| C67 | CK73HBB1H102K | C CAPACITOR | 1000pF 50V K | | C304 | CC73HCH1H101J | C CAPACITOR | 100pF 50V J | |
| C68 | CC73HCH1H0R5B | C CAPACITOR | 0.5pF 50V B | | C400 | CK73HBB1A104K | C CAPACITOR | 0.1uF 10V K | |
| C69 | CK73HBB1H102K | C CAPACITOR | 1000pF 50V K | | C402 | CC73HCH1H330J | C CAPACITOR | 33pF 50V J | |
| C71 | CK73HBB1H102K | C CAPACITOR | 1000pF 50V K | | C403 | CK73HBB1E103K | C CAPACITOR | 0.01uF 25V K | |
| C72 | CC73HCH1H220G | C CAPACITOR | 22pF 50V G | | C404 | CC73HCH1H180J | C CAPACITOR | 18pF 50V J | |
| C74 | CK73HBB1H102K | C CAPACITOR | 1000pF 50V K | | C405 | CC73HCH1H820J | C CAPACITOR | 82pF 50V J | |
| C75 | CK73HBB1H102K | C CAPACITOR | 1000pF 50V K | | C406 | CK73HB1H271K | C CAPACITOR | 270pF 50V K | |
| C76 | CK73HBB1H102K | C CAPACITOR | 1000pF 50V K | | C407 | CC73HCH1H390J | C CAPACITOR | 39pF 50V J | |
| C77 | CK73HBB1A104K | C CAPACITOR | 0.1uF 10V K | | C409 | CC73HCH1H820J | C CAPACITOR | 82pF 50V J | |
| C79 | CC73HCH1H100B | C CAPACITOR | 10pF 50V B | | C410 | CK73HB1H271K | C CAPACITOR | 270pF 50V K | |
| C80 | CC73HCH1H180J | C CAPACITOR | 18pF 50V J | | C412 | CC73HCH1H101J | C CAPACITOR | 100pF 50V J | |
| C82 | CC73HCH1H101J | C CAPACITOR | 100pF 50V J | | C413 | CK73HB1H182K | C CAPACITOR | 1800pF 50V K | |
| C83 | CK73HBB1H102K | C CAPACITOR | 1000pF 50V K | | C414 | CK73HBB1H681K | C CAPACITOR | 680pF 50V K | |
| C84 | CK73HB1H103K | C CAPACITOR | 10000pF 50V K | | C415 | CK73GB0J106K | C CAPACITOR | 10uF 6.3V K | |
| C85 | CK73HB1A473K | C CAPACITOR | 0.047uF 10V K | | C416 | CK73GB0J106K | C CAPACITOR | 10uF 6.3V K | |
| C86 | CK73HBB1E103K | C CAPACITOR | 0.01uF 25V K | | C419 | CK73HBB1H102K | C CAPACITOR | 1000pF 50V K | |
| C87 | CK73HBB1H102K | C CAPACITOR | 1000pF 50V K | | C421 | CK73HB1A333K | C CAPACITOR | 0.033uF 10V K | |
| C88 | CK73HBB1H102K | C CAPACITOR | 1000pF 50V K | | C422 | CK73HBB1E103K | C CAPACITOR | 0.01uF 25V K | |
| C89 | CK73HB1A224K | C CAPACITOR | 0.22uF 10V K | | C424 | CK73HBB1E103K | C CAPACITOR | 0.01uF 25V K | |
| C90 | CK73HB1A224K | C CAPACITOR | 0.22uF 10V K | | C425 | CK73HBB1H102K | C CAPACITOR | 1000pF 50V K | |
| C92 | CC73HCH1H220G | C CAPACITOR | 22pF 50V G | | C426 | CK73HBB1E103K | C CAPACITOR | 0.01uF 25V K | |
| C93 | CC73HCH1H120G | C CAPACITOR | 12pF 50V G | | C428 | CC73HCH1H040B | C CAPACITOR | 4pF 50V B | |
| C94 | CC73HCH1H120G | C CAPACITOR | 12pF 50V G | | C429 | CC73HCH1H150G | C CAPACITOR | 15pF 50V G | |
| C95 | CC73HCH1H100B | C CAPACITOR | 10pF 50V B | | C430 | CC73HCH1H040B | C CAPACITOR | 4pF 50V B | |
| C96 | CK73HBB1H102K | C CAPACITOR | 1000pF 50V K | | C431 | CK73HBB1H102K | C CAPACITOR | 1000pF 50V K | |
| C97 | CC73HCH1H220G | C CAPACITOR | 22pF 50V G | | C432 | CK73HBB1E103K | C CAPACITOR | 0.01uF 25V K | |
| C98 | CK73HBB1H102K | C CAPACITOR | 1000pF 50V K | | C433 | CK73HBB1H102K | C CAPACITOR | 1000pF 50V K | |
| C100 | CC73HCH1H680G | C CAPACITOR | 68pF 50V G | | C434 | CC73HCH1H120G | C CAPACITOR | 12pF 50V G | |
| C101 | CC73HCH1H101J | C CAPACITOR | 100pF 50V J | | C435 | CK73HBB1E103K | C CAPACITOR | 0.01uF 25V K | |
| C102 | CC73HCH1H020B | C CAPACITOR | 2pF 50V B | | C436 | CC73HCH1H060B | C CAPACITOR | 6pF 50V B | |
| C104 | CK73HBB1H102K | C CAPACITOR | 1000pF 50V K | | C437 | CC73HCH1H120G | C CAPACITOR | 12pF 50V G | |
| C105 | CK73HBB1H102K | C CAPACITOR | 1000pF 50V K | | C438 | CC73HCH1H220G | C CAPACITOR | 22pF 50V G | |
| C106 | CC73HCH1H180J | C CAPACITOR | 18pF 50V J | | C439 | CC73HCH1H060B | C CAPACITOR | 6pF 50V B | |
| C200 | CK73HBB1H102K | C CAPACITOR | 1000pF 50V K | | C440 | CC73HCH1H120G | C CAPACITOR | 12pF 50V G | |
| C201 | CK73HBB1H102K | C CAPACITOR | 1000pF 50V K | | C441 | CK73HBB1E103K | C CAPACITOR | 0.01uF 25V K | |
| C202 | CC73HCH1H470J | C CAPACITOR | 47pF 50V J | | C442 | CC73HCH1H010B | C CAPACITOR | 1pF 50V B | |
| C207 | CC73HCH1H390J | C CAPACITOR | 39pF 50V J | | C443 | CK73HBB1H102K | C CAPACITOR | 1000pF 50V K | |
| C208 | CC73HCH1H390J | C CAPACITOR | 39pF 50V J | | C444 | CK73HBB1H102K | C CAPACITOR | 1000pF 50V K | |
| C210 | CK73HB1A224K | C CAPACITOR | 0.22uF 10V K | | C445 | CC73HCH1H020B | C CAPACITOR | 2pF 50V B | |
| C211 | CK73HBB1H102K | C CAPACITOR | 1000pF 50V K | | C446 | CK73HBB1H102K | C CAPACITOR | 1000pF 50V K | |
| C212 | CK73HBB1H102K | C CAPACITOR | 1000pF 50V K | | C447 | CK73HBB1H102K | C CAPACITOR | 1000pF 50V K | |
| C213 | CK73HBB1H102K | C CAPACITOR | 1000pF 50V K | | C448 | CC73HCH1H0R5B | C CAPACITOR | 0.5pF 50V B | |
| C214 | CK73HBB1H102K | C CAPACITOR | 1000pF 50V K | | C449 | CC73HCH1H010B | C CAPACITOR | 1pF 50V B | |
| C216 | CC73HCH1H390J | C CAPACITOR | 39pF 50V J | | C453 | CK73HBB1H102K | C CAPACITOR | 1000pF 50V K | |
| C219 | CC73HCH1H300J | C CAPACITOR | 30pF 50V J | | C454 | CC73HCH1H020B | C CAPACITOR | 2pF 50V B | |
| C220 | CC73HCH1H180J | C CAPACITOR | 18pF 50V J | | C455 | CC73HCH1H680G | C CAPACITOR | 68pF 50V G | |
| C222 | CK73HBB1H102K | C CAPACITOR | 1000pF 50V K | | C457 | CK73HBB1H102K | C CAPACITOR | 1000pF 50V K | |
| C224 | CK73HBB1H102K | C CAPACITOR | 1000pF 50V K | | C458 | CC73HCH1H1R5B | C CAPACITOR | 1.5pF 50V B | |
| C228 | CC73HCH1H680J | C CAPACITOR | 68pF 50V J | | C459 | CC73HCH1H330G | C CAPACITOR | 33pF 50V G | |
| C229 | CK73HBB1H102K | C CAPACITOR | 1000pF 50V K | | C460 | CC73HCH1H0R5B | C CAPACITOR | 0.5pF 50V B | |
| C232 | CK73HBB1H102K | C CAPACITOR | 1000pF 50V K | | C461 | CK73HBB1H102K | C CAPACITOR | 1000pF 50V K | |
| C233 | CK73HBB1H102K | C CAPACITOR | 1000pF 50V K | | C464 | CK73HBB1H102K | C CAPACITOR | 1000pF 50V K | |
| C239 | CC73HCH1H220G | C CAPACITOR | 22pF 50V G | | C465 | CK73HBB1H102K | C CAPACITOR | 1000pF 50V K | |
| C240 | CC73HCH1H151J | C CAPACITOR | 15pF 50V J | | C466 | CK73HBB1H102K | C CAPACITOR | 1000pF 50V K | |
| C245 | CK73GXR1A105K | C CAPACITOR | 1uF 10V K | | C468 | CK73HBB1A104K | C CAPACITOR | 0.1uF 10V K | |
| C247 | CK73GBB1C104K | C CAPACITOR | 0.1uF 16V K | | C469 | CK73HBB1H102K | C CAPACITOR | 1000pF 50V K | |
| C259 | CC73GCH1H070B | C CAPACITOR | 7pF 50V B | | C470 | CC73HCH1HR75B | C CAPACITOR | 0.75pF 50V B | |
| C262 | CK73HBB1A104K | C CAPACITOR | 0.1uF 10V K | | C471 | CC73HCH1H240G | C CAPACITOR | 24pF 50V G | |
| C264 | CC73HCH1H820J | C CAPACITOR | 82pF 50V J | | C472 | CK73HBB1H102K | C CAPACITOR | 1000pF 50V K | |
| C268 | CK73GBB1H102K | C CAPACITOR | 1000pF 50V K | | C474 | CC73HCH1H010B | C CAPACITOR | 1pF 50V B | |
| C269 | CK73HBB1H102K | C CAPACITOR | 1000pF 50V K | | C475 | CC73HCH1H100B | C CAPACITOR | 10pF 50V B | |
| C270 | CC73HCH1H220G | C CAPACITOR | 22pF 50V G | | C478 | CC73HCH1H120G | C CAPACITOR | 12pF 50V G | |
| C271 | CC73GCH1H180G | C CAPACITOR | 18pF 50V G | | C484 | CC73HCH1H070B | C CAPACITOR | 7pF 50V B | |
| C272 | CK73GBB1H102K | C CAPACITOR | 1000pF 50V K | | C485 | CK73HBB1H102K | C CAPACITOR | 1000pF 50V K | |
| C273 | CC73GCH1H100C | C CAPACITOR | 10pF 50V C | | C486 | CK73GB0J106K | C CAPACITOR | 10uF 6.3V K | |
| C274 | CC73GCH1H180G | C CAPACITOR | 18pF 50V G | | C487 | CK73HBB1A104K | C CAPACITOR | 0.1uF 10V K | |
| C275 | CC73GCH1H200J | C CAPACITOR | 20pF 50V J | | C488 | CK73HB1A224K | C CAPACITOR | 0.22uF 10V K | |
| C276 | CC73GCH1H060B | C CAPACITOR | 6pF 50V B | | C489 | CK73HB1A105K | C CAPACITOR | 1uF 10V K | |
| C277 | CC73GCH1H030B | C CAPACITOR | 3pF 50V B | | C491 | CK73HB1A105K | C CAPACITOR | 1uF 10V K | |
| C278 | CC73GCH1H220J | C CAPACITOR | 22pF 50V J | | C492 | CC73HCH1H101J | C CAPACITOR | 100pF 50V J | |
| C279 | CC73GCH1H070B | C CAPACITOR | 7pF 50V B | | C493 | CC73HCH1H101J | C CAPACITOR | 100pF 50V J | |
| C280 | CC73GCH1H100C | C CAPACITOR | 10pF 50V C | | C494 | CK73HB1A224K | C CAPACITOR | 0.22uF 10V K | |
| C282 | CC73GCH1H820J | C CAPACITOR | 82pF 50V J | | C495 | CK73HBB1A104K | C CAPACITOR | 0.1uF 10V K | |
| C283 | CC73GCH1H080B | C CAPACITOR | 8pF 50V B | | C496 | CK73GB0J106K | C CAPACITOR | 10uF 6.3V K | |
| C284 | CC73GCH1H120J | C CAPACITOR | 12pF 50V J | | C497 | CK73HBB1A104K | C CAPACITOR | 0.1uF 10V K | |

| △ Symbol No. | Part No. | Part Name | Description | Local | △ Symbol No. | Part No. | Part Name | Description | Local |
|--------------|---------------|----------------|---------------|-------|--------------|---------------|----------------|---------------|-------|
| C499 | CK73HBB1H102K | C CAPACITOR | 1000pF 50V K | | C772 | CC73HCH1H470J | C CAPACITOR | 47pF 50V J | |
| C500 | CK73HBB1A104K | C CAPACITOR | 0.1uF 10V K | | C773 | CK73HBB1H102K | C CAPACITOR | 1000pF 50V K | |
| C501 | CK73HBB1H681K | C CAPACITOR | 680pF 50V K | | C774 | CK73HBB1H102K | C CAPACITOR | 1000pF 50V K | |
| C504 | CC73HCH1H101J | C CAPACITOR | 100pF 50V J | | C775 | CK73HBB1A104K | C CAPACITOR | 0.1uF 10V K | |
| C508 | CK73HBB1A104K | C CAPACITOR | 0.1uF 10V K | | C777 | CK73HB1A105K | C CAPACITOR | 1uF 10V K | |
| C600 | CK73GXR1A105K | C CAPACITOR | 1uF 10V K | | C778 | CK73HBB1H102K | C CAPACITOR | 1000pF 50V K | |
| C601 | CK73GXR1A105K | C CAPACITOR | 1uF 10V K | | C779 | CK73HB0J475M | C CAPACITOR | 4.7uF 6.3V M | |
| C602 | CK73HB1A105K | C CAPACITOR | 1uF 10V K | | C780 | CK73HBB1H102K | C CAPACITOR | 1000pF 50V K | |
| C603 | CK73GXR1A105K | C CAPACITOR | 1uF 10V K | | C781 | CK73HBB1A104K | C CAPACITOR | 0.1uF 10V K | |
| C604 | CK73HBB1H102K | C CAPACITOR | 1000pF 50V K | | C782 | CK73HBB1H102K | C CAPACITOR | 1000pF 50V K | |
| C605 | CK73GXR1A105K | C CAPACITOR | 1uF 10V K | | C783 | CK73GXR1A105K | C CAPACITOR | 1uF 10V K | |
| C606 | CK73GXR1A105K | C CAPACITOR | 1uF 10V K | | C784 | CK73GXR1C225K | C CAPACITOR | 2.2uF 16V K | |
| C607 | CK73GXR1A105K | C CAPACITOR | 1uF 10V K | | C785 | CK73GB0J106K | C CAPACITOR | 10uF 6.3V K | |
| C609 | CK73HBB1H102K | C CAPACITOR | 1000pF 50V K | | C786 | CK73HB1A224K | C CAPACITOR | 0.22uF 10V K | |
| C610 | CK73HBB1H102K | C CAPACITOR | 1000pF 50V K | | C787 | CK73HBB1A104K | C CAPACITOR | 0.1uF 10V K | |
| C611 | CK73HBB1H102K | C CAPACITOR | 1000pF 50V K | | C788 | CK73FXR0J226M | C CAPACITOR | 22uF 6.3V M | |
| C612 | CK73HBB1A104K | C CAPACITOR | 0.1uF 10V K | | C789 | CC73HCH1H101J | C CAPACITOR | 100pF 50V J | |
| C615 | CK73HBB1H102K | C CAPACITOR | 1000pF 50V K | | C790 | CK73HB1A473K | C CAPACITOR | 0.047uF 10V K | |
| C616 | CK73HBB1H102K | C CAPACITOR | 1000pF 50V K | | C791 | CK73HBB1A104K | C CAPACITOR | 0.1uF 10V K | |
| C618 | CK73GXR1A105K | C CAPACITOR | 1uF 10V K | | C792 | CC73HCH1H101J | C CAPACITOR | 100pF 50V J | |
| C620 | CK73HBB1H102K | C CAPACITOR | 1000pF 50V K | | C794 | CK73HBB1A683K | C CAPACITOR | 0.068uF 10V K | |
| C621 | CK73GBB0J225K | C CAPACITOR | 2.2uF 6.3V K | | C795 | CK73GXR1A105K | C CAPACITOR | 1uF 10V K | |
| C623 | CK73HBB1H102K | C CAPACITOR | 1000pF 50V K | | C796 | CK73HBB1A104K | C CAPACITOR | 0.1uF 10V K | |
| C624 | CK73HBB1H102K | C CAPACITOR | 1000pF 50V K | | C798 | CK73HBB1H102K | C CAPACITOR | 1000pF 50V K | |
| C625 | CK73HBB1H102K | C CAPACITOR | 1000pF 50V K | | C801 | CK73GXR1A105K | C CAPACITOR | 1uF 10V K | |
| C626 | CK73HBB1H102K | C CAPACITOR | 1000pF 50V K | | C802 | CK73HBB1H102K | C CAPACITOR | 1000pF 50V K | |
| C627 | CK73HBB1H102K | C CAPACITOR | 1000pF 50V K | | C805 | CK73HBB1H102K | C CAPACITOR | 1000pF 50V K | |
| C628 | CK73HBB1H102K | C CAPACITOR | 1000pF 50V K | | C806 | CK73HBB1H102K | C CAPACITOR | 1000pF 50V K | |
| C629 | CK73HBB1E103K | C CAPACITOR | 0.01uF 25V K | | C808 | CK73EXR0J476M | C CAPACITOR | 47uF 6.3V M | |
| C630 | CK73HBB1H102K | C CAPACITOR | 1000pF 50V K | | C809 | CK73EXR0J476M | C CAPACITOR | 47uF 6.3V M | |
| C631 | CK73HBB1H102K | C CAPACITOR | 1000pF 50V K | | C812 | CK73HBB1H102K | C CAPACITOR | 1000pF 50V K | |
| C650 | CK73FB1C106K | C CAPACITOR | 10uF 16V K | | C814 | CK73HBB1A104K | C CAPACITOR | 0.1uF 10V K | |
| C651 | CK73FB1C106K | C CAPACITOR | 10uF 16V K | | C815 | CK73HB1A105K | C CAPACITOR | 1uF 10V K | |
| C652 | CK73HBB1H332K | C CAPACITOR | 3300pF 50V K | | C818 | CK73HB1H103K | C CAPACITOR | 10000pF 50V K | |
| C653 | CK73HB1E104K | C CAPACITOR | 0.10uF 25V K | | C819 | CK73HBB1H332K | C CAPACITOR | 3300pF 50V K | |
| C655 | CK73FB0J226M | C CAPACITOR | 22uF 6.3V M | | C820 | CK73HBB1H332K | C CAPACITOR | 3300pF 50V K | |
| C700 | CK73HBB1H102K | C CAPACITOR | 1000pF 50V K | | C832 | CK73HB1A105K | C CAPACITOR | 1uF 10V K | |
| C703 | CC73HCH1H471J | C CAPACITOR | 470pF 50V J | | C835 | CK73HBB1A104K | C CAPACITOR | 0.1uF 10V K | |
| C704 | CK73HBB1H102K | C CAPACITOR | 1000pF 50V K | | C836 | CK73HB1A105K | C CAPACITOR | 1uF 10V K | |
| C711 | CK73HBB1H102K | C CAPACITOR | 1000pF 50V K | | C840 | CK73HBB1E103K | C CAPACITOR | 0.01uF 25V K | |
| C718 | CK73HBB1A104K | C CAPACITOR | 0.1uF 10V K | | C841 | CK73HB1H272K | C CAPACITOR | 2700pF 50V K | |
| C719 | CK73HBB1H102K | C CAPACITOR | 1000pF 50V K | | C842 | CK73HBB1H332K | C CAPACITOR | 3300pF 50V K | |
| C720 | CK73GXR1A105K | C CAPACITOR | 1uF 10V K | | C851 | CK73HBB1A104K | C CAPACITOR | 0.1uF 10V K | |
| C723 | CK73GBB0J225K | C CAPACITOR | 2.2uF 6.3V K | | C852 | CK73HBB1H102K | C CAPACITOR | 1000pF 50V K | |
| C730 | CK73GXR1A105K | C CAPACITOR | 1uF 10V K | | C853 | CK73HBB1A104K | C CAPACITOR | 0.1uF 10V K | |
| C732 | CK73HBB1H102K | C CAPACITOR | 1000pF 50V K | | C882 | CK73HB1A105K | C CAPACITOR | 1uF 10V K | |
| C734 | CK73GB0J106K | C CAPACITOR | 10uF 6.3V K | | C885 | CK73HBB1E103K | C CAPACITOR | 0.01uF 25V K | |
| C735 | CK73GB0J106K | C CAPACITOR | 10uF 6.3V K | | C886 | CK73HBB1H102K | C CAPACITOR | 1000pF 50V K | |
| C736 | CK73HBB1H102K | C CAPACITOR | 1000pF 50V K | | C905 | CK73HBB1A104K | C CAPACITOR | 0.1uF 10V K | |
| C737 | CK73HB1A105K | C CAPACITOR | 1uF 10V K | | C906 | CK73HB1H103K | C CAPACITOR | 10000pF 50V K | |
| C738 | CS77MA0J470M | TA E CAPACITOR | 47uF 6.3V M | | C907 | CK73HB1H103K | C CAPACITOR | 10000pF 50V K | |
| C740 | CK73HBB1A104K | C CAPACITOR | 0.1uF 10V K | | C908 | CK73HXR0J105K | C CAPACITOR | 1uF 6.3V K | |
| C741 | CK73GB0J106K | C CAPACITOR | 10uF 6.3V K | | C909 | CK73HBB1A104K | C CAPACITOR | 0.1uF 10V K | |
| C742 | CK73HBB1H102K | C CAPACITOR | 1000pF 50V K | | C910 | CK73HB0J225K | C CAPACITOR | 2.2uF 6.3V K | |
| C743 | CK73HB1H103K | C CAPACITOR | 10000pF 50V K | | C911 | CK73HBB1A104K | C CAPACITOR | 0.1uF 10V K | |
| C744 | CK73GB0J106K | C CAPACITOR | 10uF 6.3V K | | C912 | CK73HB0J225K | C CAPACITOR | 2.2uF 6.3V K | |
| C745 | CK73HBB1A104K | C CAPACITOR | 0.1uF 10V K | | C913 | CK73HBB1A104K | C CAPACITOR | 0.1uF 10V K | |
| C747 | CK73HBB1H152K | C CAPACITOR | 1500pF 50V K | | C914 | CK73HB1H103K | C CAPACITOR | 10000pF 50V K | |
| C748 | CK73HB1A105K | C CAPACITOR | 1uF 10V K | | C915 | CK73HB1H103K | C CAPACITOR | 10000pF 50V K | |
| C749 | CC73HCH1H101J | C CAPACITOR | 100pF 50V J | | C924 | CK73GXR1A105K | C CAPACITOR | 1uF 10V K | |
| C750 | CC73HCH1H101J | C CAPACITOR | 100pF 50V J | | C925 | CK73HB1A105K | C CAPACITOR | 1uF 10V K | |
| C751 | CC73HCH1H151J | C CAPACITOR | 150pF 50V J | | C970 | CK73HBB1H102K | C CAPACITOR | 1000pF 50V K | |
| C754 | CC73HCH1H101J | C CAPACITOR | 100pF 50V J | | C971 | CK73HBB1A104K | C CAPACITOR | 0.1uF 10V K | |
| C756 | CK73HB1A105K | C CAPACITOR | 1uF 10V K | | C972 | CK73HBB1H102K | C CAPACITOR | 1000pF 50V K | |
| C758 | CK73HB0J475M | C CAPACITOR | 4.7uF 6.3V M | | C980 | CS77FAV0J101M | TA E CAPACITOR | 100uF 6.3V M | |
| C759 | CK73HB1A105K | C CAPACITOR | 1uF 10V K | | C981 | CK73HB0J475M | C CAPACITOR | 4.7uF 6.3V M | |
| C760 | CK73HB1A474K | C CAPACITOR | 0.47uF 10V K | | C982 | CK73HXR0J105K | C CAPACITOR | 1uF 6.3V K | |
| C761 | CK73HB1A474K | C CAPACITOR | 0.47uF 10V K | | C983 | CK73HBB1H102K | C CAPACITOR | 1000pF 50V K | |
| C762 | CK73HBB1H102K | C CAPACITOR | 1000pF 50V K | | C984 | CK73HBB1H102K | C CAPACITOR | 1000pF 50V K | |
| C763 | CK73HB1A473K | C CAPACITOR | 0.047uF 10V K | | C985 | CK73HBB1H102K | C CAPACITOR | 1000pF 50V K | |
| C764 | CK73HBB1H102K | C CAPACITOR | 1000pF 50V K | | C986 | CK73HBB1H102K | C CAPACITOR | 1000pF 50V K | |
| C765 | CK73HBB1H102K | C CAPACITOR | 1000pF 50V K | | C989 | CK73HBB1A104K | C CAPACITOR | 0.1uF 10V K | |
| C766 | CK73HB1A474K | C CAPACITOR | 0.47uF 10V K | | C999 | CK73HBB1A104K | C CAPACITOR | 0.1uF 10V K | |
| C767 | CK73GBB0J225K | C CAPACITOR | 2.2uF 6.3V K | | | | | | |
| C768 | CK73GBB0J225K | C CAPACITOR | 2.2uF 6.3V K | | R1 | RK73HB1J223J | MG RESISTOR | 22kΩ 1/16W J | |
| C769 | CK73HB1A474K | C CAPACITOR | 0.47uF 10V K | | R2 | RK73HB1J103J | MG RESISTOR | 10kΩ 1/16W J | |
| C770 | CK73HBB1H102K | C CAPACITOR | 1000pF 50V K | | R7 | RK73HB1J683J | MG RESISTOR | 68kΩ 1/16W J | |
| C771 | CK73HBB1H102K | C CAPACITOR | 1000pF 50V K | | R8 | RK73HB1J331J | MG RESISTOR | 330Ω 1/16W J | |

| △ Symbol No. | Part No. | Part Name | Description | Local | △ Symbol No. | Part No. | Part Name | Description | Local |
|--------------|--------------|-------------|---------------|-------|--------------|--------------|-------------|---------------|-------|
| R9 | RK73HB1J683J | MG RESISTOR | 68kΩ 1/16W J | | R293 | RK73HH1J824D | MG RESISTOR | 820kΩ 1/16W D | |
| R10 | RK73HB1J101J | MG RESISTOR | 100Ω 1/16W J | | R295 | RK73HB1J274J | MG RESISTOR | 270kΩ 1/16W J | |
| R11 | RK73HB1J122J | MG RESISTOR | 1.2kΩ 1/16W J | | R296 | RK73HB1J224J | MG RESISTOR | 220kΩ 1/16W J | |
| R13 | RK73HB1J100J | MG RESISTOR | 10Ω 1/16W J | | R301 | RK73EB2ER39J | MG RESISTOR | 0.39Ω J | |
| R16 | RK73HB1J000J | MG RESISTOR | 0Ω 1/16W J | | R302 | RK73EB2ER39J | MG RESISTOR | 0.39Ω J | |
| R17 | RK73HB1J000J | MG RESISTOR | 0Ω 1/16W J | | R303 | RK73EB2ER39J | MG RESISTOR | 0.39Ω J | |
| R18 | RK73HB1J222J | MG RESISTOR | 2.2kΩ 1/16W J | | R314 | RK73HB1J000J | MG RESISTOR | 0Ω 1/16W J | |
| R19 | RK73HB1J151J | MG RESISTOR | 150Ω 1/16W J | | R320 | RK73HB1J000J | MG RESISTOR | 0Ω 1/16W J | |
| R21 | RK73HB1J333J | MG RESISTOR | 33kΩ 1/16W J | | R323 | RK73HB1J102J | MG RESISTOR | 1kΩ 1/16W J | |
| R22 | RK73HB1J103J | MG RESISTOR | 10kΩ 1/16W J | | R324 | RK73HB1J472J | MG RESISTOR | 4.7kΩ 1/16W J | |
| R23 | RK73HB1J470J | MG RESISTOR | 47Ω 1/16W J | | R400 | RK73HB1J334J | MG RESISTOR | 330kΩ 1/16W J | |
| R24 | RK73HB1J223J | MG RESISTOR | 22kΩ 1/16W J | | R401 | RK73HB1J101J | MG RESISTOR | 100Ω 1/16W J | |
| R25 | RK73HB1J106J | MG RESISTOR | 10MΩ 1/16W J | | R403 | RK73HB1J102J | MG RESISTOR | 1kΩ 1/16W J | |
| R26 | RK73HB1J102J | MG RESISTOR | 1kΩ 1/16W J | | R404 | RK73HB1J564J | MG RESISTOR | 560kΩ 1/16W J | |
| R27 | RK73HB1J103J | MG RESISTOR | 10kΩ 1/16W J | | R405 | RK73HB1J224J | MG RESISTOR | 220kΩ 1/16W J | |
| R29 | RK73HB1J000J | MG RESISTOR | 0Ω 1/16W J | | R407 | RK73HB1J332J | MG RESISTOR | 3.3kΩ 1/16W J | |
| R30 | RK73HB1J184J | MG RESISTOR | 180kΩ 1/16W J | | R408 | RK73HB1J332J | MG RESISTOR | 3.3kΩ 1/16W J | |
| R31 | RK73HB1J473J | MG RESISTOR | 47kΩ 1/16W J | | R409 | RK73HB1J563J | MG RESISTOR | 56kΩ 1/16W J | |
| R32 | RK73HB1J152J | MG RESISTOR | 1.5kΩ 1/16W J | | R412 | RK73HB1J100J | MG RESISTOR | 10Ω 1/16W J | |
| R33 | RK73HB1J473J | MG RESISTOR | 47kΩ 1/16W J | | R413 | RK73HB1J184J | MG RESISTOR | 180kΩ 1/16W J | |
| R34 | RK73HB1J104J | MG RESISTOR | 100kΩ 1/16W J | | R414 | RK73HB1J101J | MG RESISTOR | 100Ω 1/16W J | |
| R35 | RK73HB1J271J | MG RESISTOR | 270Ω 1/16W J | | R417 | RK73HB1J684J | MG RESISTOR | 680kΩ 1/16W J | |
| R36 | RK73HB1J271J | MG RESISTOR | 270Ω 1/16W J | | R418 | RK73HB1J334J | MG RESISTOR | 330kΩ 1/16W J | |
| R37 | RK73HB1J220J | MG RESISTOR | 22Ω 1/16W J | | R419 | RK73HB1J221J | MG RESISTOR | 220Ω 1/16W J | |
| R38 | RK73HB1J220J | MG RESISTOR | 22Ω 1/16W J | | R420 | RK73HB1J101J | MG RESISTOR | 100Ω 1/16W J | |
| R40 | RK73HB1J154J | MG RESISTOR | 150kΩ 1/16W J | | R421 | RK73HB1J470J | MG RESISTOR | 47Ω 1/16W J | |
| R41 | RK73HB1J101J | MG RESISTOR | 100Ω 1/16W J | | R422 | RK73HB1J472J | MG RESISTOR | 4.7kΩ 1/16W J | |
| R42 | RK73HB1J103J | MG RESISTOR | 10kΩ 1/16W J | | R423 | RK73HB1J681J | MG RESISTOR | 680Ω 1/16W J | |
| R43 | RK73HB1J103J | MG RESISTOR | 10kΩ 1/16W J | | R424 | RK73HB1J331J | MG RESISTOR | 330Ω 1/16W J | |
| R44 | RK73HB1J470J | MG RESISTOR | 47Ω 1/16W J | | R425 | RK73HB1J104J | MG RESISTOR | 100kΩ 1/16W J | |
| R45 | RK73HB1J391J | MG RESISTOR | 390Ω 1/16W J | | R426 | RK73HB1J154J | MG RESISTOR | 150kΩ 1/16W J | |
| R46 | RK73HB1J222J | MG RESISTOR | 2.2kΩ 1/16W J | | R427 | RK73HB1J224J | MG RESISTOR | 220kΩ 1/16W J | |
| R48 | RK73HB1J472J | MG RESISTOR | 4.7kΩ 1/16W J | | R428 | RK73HB1J104J | MG RESISTOR | 100kΩ 1/16W J | |
| R51 | RK73HB1J102J | MG RESISTOR | 1kΩ 1/16W J | | R429 | RK73HB1J220J | MG RESISTOR | 22Ω 1/16W J | |
| R52 | RK73HB1J100J | MG RESISTOR | 10Ω 1/16W J | | R433 | RK73HB1J102J | MG RESISTOR | 1kΩ 1/16W J | |
| R53 | RK73HB1J000J | MG RESISTOR | 0Ω 1/16W J | | R434 | RK73HB1J680J | MG RESISTOR | 68Ω 1/16W J | |
| R54 | RK73HB1J103J | MG RESISTOR | 10kΩ 1/16W J | | R435 | RK73HB1J221J | MG RESISTOR | 220Ω 1/16W J | |
| R55 | RK73HB1J273J | MG RESISTOR | 27kΩ 1/16W J | | R436 | RK73HH1J393D | MG RESISTOR | 39kΩ 1/16W D | |
| R56 | RK73HB1J100J | MG RESISTOR | 10Ω 1/16W J | | R437 | RK73HH1J683D | MG RESISTOR | 68kΩ 1/16W D | |
| R58 | RK73HB1J103J | MG RESISTOR | 10kΩ 1/16W J | | R438 | RK73HB1J124J | MG RESISTOR | 120kΩ 1/16W J | |
| R60 | RK73HB1J103J | MG RESISTOR | 10kΩ 1/16W J | | R439 | RK73HB1J154J | MG RESISTOR | 150kΩ 1/16W J | |
| R61 | RK73HB1J822J | MG RESISTOR | 8.2kΩ 1/16W J | | R440 | RK73HB1J000J | MG RESISTOR | 0Ω 1/16W J | |
| R62 | RK73HB1J221J | MG RESISTOR | 220Ω 1/16W J | | R441 | RK73HH1J473D | MG RESISTOR | 47kΩ 1/16W D | |
| R63 | RK73HB1J470J | MG RESISTOR | 47Ω 1/16W J | | R442 | RK73HB1J000J | MG RESISTOR | 0Ω 1/16W J | |
| R65 | RK73HB1J222J | MG RESISTOR | 2.2kΩ 1/16W J | | R443 | RK73HB1J000J | MG RESISTOR | 0Ω 1/16W J | |
| R66 | RK73HB1J101J | MG RESISTOR | 100Ω 1/16W J | | R446 | RK73GB2A000J | MG RESISTOR | 0Ω 1/10W J | |
| R67 | RK73HB1J101J | MG RESISTOR | 100Ω 1/16W J | | R448 | RK73HB1J000J | MG RESISTOR | 0Ω 1/16W J | |
| R68 | RK73HB1J680J | MG RESISTOR | 68Ω 1/16W J | | R449 | RK73HB1J224J | MG RESISTOR | 220kΩ 1/16W J | |
| R69 | RK73HB1J101J | MG RESISTOR | 100Ω 1/16W J | | R450 | RK73HB1J000J | MG RESISTOR | 0Ω 1/16W J | |
| R70 | RK73HB1J000J | MG RESISTOR | 0Ω 1/16W J | | R451 | RK73HB1J000J | MG RESISTOR | 0Ω 1/16W J | |
| R71 | RK73HB1J000J | MG RESISTOR | 0Ω 1/16W J | | R452 | RK73HB1J000J | MG RESISTOR | 0Ω 1/16W J | |
| R200 | RK73HB1J472J | MG RESISTOR | 4.7kΩ 1/16W J | | R453 | RK73HB1J000J | MG RESISTOR | 0Ω 1/16W J | |
| R201 | RK73HB1J121J | MG RESISTOR | 120Ω 1/16W J | | R454 | RK73HB1J000J | MG RESISTOR | 0Ω 1/16W J | |
| R202 | RK73HB1J560J | MG RESISTOR | 56Ω 1/16W J | | R455 | RK73HB1J104J | MG RESISTOR | 100kΩ 1/16W J | |
| R203 | RK73HB1J121J | MG RESISTOR | 120Ω 1/16W J | | R457 | RK73HB1J000J | MG RESISTOR | 0Ω 1/16W J | |
| R210 | RK73HB1J220J | MG RESISTOR | 22Ω 1/16W J | | R458 | RK73HB1J561J | MG RESISTOR | 560Ω 1/16W J | |
| R211 | RK73HB1J102J | MG RESISTOR | 1kΩ 1/16W J | | R459 | RK73HB1J332J | MG RESISTOR | 3.3kΩ 1/16W J | |
| R212 | RK73HB1J152J | MG RESISTOR | 1.5kΩ 1/16W J | | R460 | RK73HB1J105J | MG RESISTOR | 1MΩ 1/16W J | |
| R213 | RK73HB1J220J | MG RESISTOR | 22Ω 1/16W J | | R461 | RK73HB1J124J | MG RESISTOR | 120kΩ 1/16W J | |
| R214 | RK73HB1J561J | MG RESISTOR | 560Ω 1/16W J | | R464 | RK73HB1J102J | MG RESISTOR | 1kΩ 1/16W J | |
| R215 | RK73HB1J561J | MG RESISTOR | 560Ω 1/16W J | | R600 | RK73GB2A221J | MG RESISTOR | 220Ω 1/10W J | |
| R217 | RK73HB1J100J | MG RESISTOR | 10Ω 1/16W J | | R601 | RK73HB1J104J | MG RESISTOR | 100kΩ 1/16W J | |
| R219 | RK73HB1J561J | MG RESISTOR | 560Ω 1/16W J | | R602 | RK73HB1J104J | MG RESISTOR | 100kΩ 1/16W J | |
| R224 | RK73HB1J470J | MG RESISTOR | 47Ω 1/16W J | | R603 | RK73HB1J101J | MG RESISTOR | 100Ω 1/16W J | |
| R225 | RK73HB1J562J | MG RESISTOR | 5.6kΩ 1/16W J | | R604 | RK73GB2A331J | MG RESISTOR | 330Ω 1/10W J | |
| R227 | RK73HB1J682J | MG RESISTOR | 6.8kΩ 1/16W J | | R605 | RK73HB1J223J | MG RESISTOR | 22kΩ 1/16W J | |
| R229 | RK73HB1J391J | MG RESISTOR | 390Ω 1/16W J | | R606 | RK73HB1J103J | MG RESISTOR | 10kΩ 1/16W J | |
| R232 | RK73HB1J682J | MG RESISTOR | 6.8kΩ 1/16W J | | R607 | RK73HB1J103J | MG RESISTOR | 10kΩ 1/16W J | |
| R236 | RK73HB1J100J | MG RESISTOR | 10Ω 1/16W J | | R608 | RK73GB2A271J | MG RESISTOR | 270Ω 1/10W J | |
| R239 | RK73HB1J562J | MG RESISTOR | 5.6kΩ 1/16W J | | R609 | RK73HB1J102J | MG RESISTOR | 1kΩ 1/16W J | |
| R240 | RK73GB2A000J | MG RESISTOR | 0Ω 1/10W J | | R610 | RK73HB1J104J | MG RESISTOR | 100kΩ 1/16W J | |
| R249 | RK73HB1J680J | MG RESISTOR | 68Ω 1/16W J | | R611 | RK73HB1J104J | MG RESISTOR | 100kΩ 1/16W J | |
| R251 | RK73HB1J680J | MG RESISTOR | 68Ω 1/16W J | | R612 | RK73HB1J104J | MG RESISTOR | 100kΩ 1/16W J | |
| R252 | RK73GB2A000J | MG RESISTOR | 0Ω 1/10W J | | R613 | RK73HB1J104J | MG RESISTOR | 100kΩ 1/16W J | |
| R253 | RK73GB2A823J | MG RESISTOR | 82kΩ 1/10W J | | R616 | RK73HB1J000J | MG RESISTOR | 0Ω 1/16W J | |
| R290 | RK73HH1J394D | MG RESISTOR | 390kΩ 1/16W D | | R620 | RK73HB1J102J | MG RESISTOR | 1kΩ 1/16W J | |
| R291 | RK73HH1J824D | MG RESISTOR | 820kΩ 1/16W D | | R621 | RK73HB1J393J | MG RESISTOR | 39kΩ 1/16W J | |
| R292 | RK73HH1J394D | MG RESISTOR | 390kΩ 1/16W D | | R622 | RK73HB1J473J | MG RESISTOR | 47kΩ 1/16W J | |

| △ Symbol No. | Part No. | Part Name | Description | Local | △ Symbol No. | Part No. | Part Name | Description | Local |
|--------------|--------------|-------------|---------------|-------|--------------|---------------|-----------------|---------------|-------|
| R623 | RK73HB1J472J | MG RESISTOR | 4.7kΩ 1/16W J | | R817 | RK73HB1J000J | MG RESISTOR | 0Ω 1/16W J | |
| R624 | RK73HB1J683J | MG RESISTOR | 68kΩ 1/16W J | | R824 | RK73HB1J102J | MG RESISTOR | 1kΩ 1/16W J | |
| R650 | RK73HH1J183D | MG RESISTOR | 18kΩ 1/16W D | | R825 | RK73HB1J104J | MG RESISTOR | 100kΩ 1/16W J | |
| R651 | RK73HH1J683D | MG RESISTOR | 68kΩ 1/16W D | | R826 | RK73HB1J104J | MG RESISTOR | 100kΩ 1/16W J | |
| R653 | RK73HB1J000J | MG RESISTOR | 0Ω 1/16W J | | R828 | RK73HB1J273J | MG RESISTOR | 27kΩ 1/16W J | |
| R654 | RK73FB2B000J | MG RESISTOR | 0Ω 1/8W J | | R830 | RK73HB1J102J | MG RESISTOR | 1kΩ 1/16W J | |
| R701 | RK73HH1J103D | MG RESISTOR | 10kΩ 1/16W D | | R831 | RK73HH1J104D | MG RESISTOR | 100kΩ 1/16W D | |
| R702 | RK73HH1J103D | MG RESISTOR | 10kΩ 1/16W D | | R835 | RK73HB1J103J | MG RESISTOR | 10kΩ 1/16W J | |
| R703 | RK73HB1J153J | MG RESISTOR | 15kΩ 1/16W J | | R836 | RK73HB1J822J | MG RESISTOR | 8.2kΩ 1/16W J | |
| R705 | RK73HB1J103J | MG RESISTOR | 10kΩ 1/16W J | | R837 | RK73HB1J223J | MG RESISTOR | 22kΩ 1/16W J | |
| R708 | RK73HB1J102J | MG RESISTOR | 1kΩ 1/16W J | | R838 | RK73HB1J824J | MG RESISTOR | 820kΩ 1/16W J | |
| R709 | RK73HB1J222J | MG RESISTOR | 2.2kΩ 1/16W J | | R840 | RK73HB1J472J | MG RESISTOR | 4.7kΩ 1/16W J | |
| R711 | RK73HH1J103D | MG RESISTOR | 10kΩ 1/16W D | | R841 | RK73HB1J473J | MG RESISTOR | 47kΩ 1/16W J | |
| R712 | RK73HB1J473J | MG RESISTOR | 47kΩ 1/16W J | | R842 | RK73HB1J272J | MG RESISTOR | 2.7kΩ 1/16W J | |
| R718 | RK73HB1J820J | MG RESISTOR | 82Ω 1/16W J | | R844 | RK73HH1J473D | MG RESISTOR | 47kΩ 1/16W D | |
| R720 | RK73HB1J000J | MG RESISTOR | 0Ω 1/16W J | | R845 | RK73HH1J473D | MG RESISTOR | 47kΩ 1/16W D | |
| R722 | RK73HB1J000J | MG RESISTOR | 0Ω 1/16W J | | R850 | RK73GB2A000J | MG RESISTOR | 0Ω 1/10W J | |
| R723 | RK73HB1J000J | MG RESISTOR | 0Ω 1/16W J | | R852 | RK73HB1J123J | MG RESISTOR | 12kΩ 1/16W J | |
| R725 | RK73HB1J473J | MG RESISTOR | 47kΩ 1/16W J | | R853 | RK73HB1J123J | MG RESISTOR | 12kΩ 1/16W J | |
| R726 | RK73HB1J102J | MG RESISTOR | 1kΩ 1/16W J | | R857 | RK73HB1J100J | MG RESISTOR | 10Ω 1/16W J | |
| R736 | RK73HB1J101J | MG RESISTOR | 100Ω 1/16W J | | R862 | RK73HB1J471J | MG RESISTOR | 470Ω 1/16W J | |
| R737 | RK73HB1J101J | MG RESISTOR | 100Ω 1/16W J | | R863 | RK73HB1J102J | MG RESISTOR | 1kΩ 1/16W J | |
| R738 | RK73HB1J473J | MG RESISTOR | 47kΩ 1/16W J | | R877 | RK73HB1J102J | MG RESISTOR | 1kΩ 1/16W J | |
| R740 | RK73HB1J472J | MG RESISTOR | 4.7kΩ 1/16W J | | R881 | RK73HB1J473J | MG RESISTOR | 47kΩ 1/16W J | |
| R744 | RK73HB1J150J | MG RESISTOR | 15Ω 1/16W J | | R885 | RK73HB1J103J | MG RESISTOR | 10kΩ 1/16W J | |
| R746 | RK73HB1J222J | MG RESISTOR | 2.2kΩ 1/16W J | | R886 | RK73HB1J104J | MG RESISTOR | 100kΩ 1/16W J | |
| R748 | RK73HB1J000J | MG RESISTOR | 0Ω 1/16W J | | R887 | RK73HB1J563J | MG RESISTOR | 56kΩ 1/16W J | |
| R751 | RK73HB1J104J | MG RESISTOR | 100kΩ 1/16W J | | R888 | RK73HB1J102J | MG RESISTOR | 1kΩ 1/16W J | |
| R752 | RK73HB1J000J | MG RESISTOR | 0Ω 1/16W J | | R901 | RK73HB1J473J | MG RESISTOR | 47kΩ 1/16W J | |
| R755 | RK73HB1J563J | MG RESISTOR | 56kΩ 1/16W J | | R902 | RK73HB1J473J | MG RESISTOR | 47kΩ 1/16W J | |
| R756 | RK73HB1J473J | MG RESISTOR | 4.7kΩ 1/16W J | | R903 | RK73HB1J220J | MG RESISTOR | 22Ω 1/16W J | |
| R757 | RK73HB1J473J | MG RESISTOR | 47kΩ 1/16W J | | R904 | RK73HB1J221J | MG RESISTOR | 220Ω 1/16W J | |
| R759 | RK73HB1J153J | MG RESISTOR | 15kΩ 1/16W J | | R905 | RK73HB1J474J | MG RESISTOR | 470kΩ 1/16W J | |
| R762 | RK73HB1J104J | MG RESISTOR | 100kΩ 1/16W J | | R907 | RK73HB1J000J | MG RESISTOR | 0Ω 1/16W J | |
| R763 | RK73HB1J104J | MG RESISTOR | 100kΩ 1/16W J | | R960 | RK73HB1J000J | MG RESISTOR | 0Ω 1/16W J | |
| R765 | RK73HB1J273J | MG RESISTOR | 27kΩ 1/16W J | | R970 | RK73HB1J000J | MG RESISTOR | 0Ω 1/16W J | |
| R766 | RK73HB1J222J | MG RESISTOR | 2.2kΩ 1/16W J | | R977 | RK73HB1J103J | MG RESISTOR | 10kΩ 1/16W J | |
| R767 | RK73HB1J104J | MG RESISTOR | 100kΩ 1/16W J | | R978 | RK73HB1J103J | MG RESISTOR | 10kΩ 1/16W J | |
| R768 | RK73HB1J103J | MG RESISTOR | 10kΩ 1/16W J | | R979 | RK73HB1J103J | MG RESISTOR | 10kΩ 1/16W J | |
| R769 | RK73HB1J104J | MG RESISTOR | 100kΩ 1/16W J | | R980 | RK73HB1J103J | MG RESISTOR | 10kΩ 1/16W J | |
| R770 | RK73HB1J124J | MG RESISTOR | 120kΩ 1/16W J | | R999 | RK73HB1J473J | MG RESISTOR | 47kΩ 1/16W J | |
| R772 | RK73HB1J154J | MG RESISTOR | 150kΩ 1/16W J | | L1 | LR77Z0AE4R7J | CHIP INDUCTOR | 4.7uH | |
| R773 | RK73HB1J103J | MG RESISTOR | 10kΩ 1/16W J | | L2 | LB73G0BJ-001 | CHIP FERRITE | | |
| R774 | RK73HB1J101J | MG RESISTOR | 100Ω 1/16W J | | L3 | LB73H0AV-003 | CHIP FERRITE | | |
| R775 | RK73HB1J000J | MG RESISTOR | 0Ω 1/16W J | | L4 | LK73H0AM27NJ | M.CHIP INDUCTOR | 27nH | |
| R780 | RK73HB1J474J | MG RESISTOR | 470kΩ 1/16W J | | L7 | LK73G0AQ100K | M.CHIP INDUCTOR | 10uH | |
| R781 | RK73HB1J682J | MG RESISTOR | 6.8kΩ 1/16W J | | L8 | LK73G0AQ100K | M.CHIP INDUCTOR | 10uH | |
| R782 | RK73HB1J473J | MG RESISTOR | 47kΩ 1/16W J | | L13 | L41-2285-53 | CHIP INDUCTOR | | |
| R783 | RK73HB1J272J | MG RESISTOR | 2.7kΩ 1/16W J | | L14 | L41-2285-53 | CHIP INDUCTOR | | |
| R784 | RK73HB1J123J | MG RESISTOR | 12kΩ 1/16W J | | L15 | L41-3978-08 | CHIP INDUCTOR | | |
| R785 | RK73HB1J273J | MG RESISTOR | 27kΩ 1/16W J | | L16 | L41-2278-08 | CHIP INDUCTOR | | |
| R786 | RK73HB1J104J | MG RESISTOR | 100kΩ 1/16W J | | L17 | LB73H0AV-003 | CHIP FERRITE | | |
| R787 | RK73HB1J105J | MG RESISTOR | 1MΩ 1/16W J | | L18 | L41-2285-53 | CHIP INDUCTOR | | |
| R788 | RK73HB1J473J | MG RESISTOR | 47kΩ 1/16W J | | L19 | L41-2285-53 | CHIP INDUCTOR | | |
| R789 | RK73HB1J103J | MG RESISTOR | 10kΩ 1/16W J | | L21 | LK73G0AQ3R3K | M.CHIP INDUCTOR | 3.3uH | |
| R790 | RK73HB1J103J | MG RESISTOR | 10kΩ 1/16W J | | L23 | LK73G0AQ3R3K | M.CHIP INDUCTOR | 3.3uH | |
| R792 | RK73HB1J471J | MG RESISTOR | 470Ω 1/16W J | | L24 | LK73H0AM82NJ | M.CHIP INDUCTOR | 82nH | |
| R793 | RK73HB1J182J | MG RESISTOR | 1.8kΩ 1/16W J | | L25 | LK73H0AMR10J | M.CHIP INDUCTOR | 0.1uH | |
| R794 | RK73HB1J152J | MG RESISTOR | 1.5kΩ 1/16W J | | L27 | LK73H0AM56NJ | M.CHIP INDUCTOR | 56nH | |
| R795 | RK73HB1J473J | MG RESISTOR | 47kΩ 1/16W J | | L28 | LK73H0AM56NJ | M.CHIP INDUCTOR | 56nH | |
| R796 | RK73HB1J561J | MG RESISTOR | 560Ω 1/16W J | | L29 | LK73H0AM82NJ | M.CHIP INDUCTOR | 82nH | |
| R799 | RK73HB1J104J | MG RESISTOR | 100kΩ 1/16W J | | L30 | L41-2285-53 | CHIP INDUCTOR | | |
| R800 | RK73HB1J183J | MG RESISTOR | 18kΩ 1/16W J | | L31 | L41-2285-53 | CHIP INDUCTOR | | |
| R801 | RK73HB1J101J | MG RESISTOR | 100Ω 1/16W J | | L204 | LK73H0AM33NJ | M.CHIP INDUCTOR | 33nH | |
| R802 | RK73HB1J474J | MG RESISTOR | 470kΩ 1/16W J | | L205 | LK73H0AMR10J | M.CHIP INDUCTOR | 0.1uH | |
| R803 | RK73HB1J331J | MG RESISTOR | 330Ω 1/16W J | | L206 | LB73H0AV-002 | CHIP FERRITE | | |
| R804 | RK73HB1J124J | MG RESISTOR | 120kΩ 1/16W J | | L207 | LK73H0AM39NJ | M.CHIP INDUCTOR | 39nH | |
| R805 | RK73HB1J000J | MG RESISTOR | 0Ω 1/16W J | | L208 | LR79Z0DC45N5J | CHIP INDUCTOR | 45.5nH | |
| R806 | RK73HB1J103J | MG RESISTOR | 10kΩ 1/16W J | | L209 | LB73F0AW-002 | CHIP FERRITE | | |
| R807 | RK73HB1J332J | MG RESISTOR | 3.3kΩ 1/16W J | | L212 | LB73F0AW-002 | CHIP FERRITE | | |
| R809 | RK73HB1J103J | MG RESISTOR | 10kΩ 1/16W J | | L213 | LR79Z0DD43N6J | CHIP INDUCTOR | 43.6nH | |
| R810 | RK73HB1J334J | MG RESISTOR | 330kΩ 1/16W J | | L216 | L41-2295-39 | CHIP INDUCTOR | | |
| R811 | RK73HB1J274J | MG RESISTOR | 270kΩ 1/16W J | | L217 | LR79Z0DC45N5J | CHIP INDUCTOR | 45.5nH | |
| R812 | RK73HB1J473J | MG RESISTOR | 47kΩ 1/16W J | | L218 | LR79Z0DD27N4J | CHIP INDUCTOR | 27.4nH | |
| R813 | RK73HB1J823J | MG RESISTOR | 82kΩ 1/16W J | | L219 | LR79Z0DD43N6J | CHIP INDUCTOR | 43.6nH | |
| R814 | RK73HB1J273J | MG RESISTOR | 27kΩ 1/16W J | | L220 | LR79Z0DD37N7J | CHIP INDUCTOR | 37.7nH | |
| R815 | RK73HB1J101J | MG RESISTOR | 100Ω 1/16W J | | L221 | LR79Z0DD12N2J | CHIP INDUCTOR | 12.2nH | |
| R816 | RK73HB1J102J | MG RESISTOR | 1kΩ 1/16W J | | | | | | |

| △ Symbol No. | Part No. | Part Name | Description | Local |
|--------------|---------------|-----------------|---------------|-------|
| L222 | LR79Z0DD21N9J | CHIP INDUCTOR | 21.9nH | |
| L223 | LR79Z0DD27N4J | CHIP INDUCTOR | 27.4nH | |
| L400 | L41-1885-53 | CHIP INDUCTOR | | |
| L401 | LK73H0AMR10J | M.CHIP INDUCTOR | 0.1uH | |
| L402 | LK73G0AQ1R5K | M.CHIP INDUCTOR | 1.5uH | |
| L403 | LB73G0BD-005 | CHIP FERRITE | | |
| L404 | LR77Z0AER56J | CHIP INDUCTOR | 0.56uH | |
| L405 | LK73H0AM27NJ | M.CHIP INDUCTOR | 27nH | |
| L406 | L41-2785-53 | CHIP INDUCTOR | | |
| L407 | LK73H0AM27NJ | M.CHIP INDUCTOR | 27nH | |
| L408 | L41-1285-53 | CHIP INDUCTOR | | |
| L409 | L41-2285-14 | CHIP INDUCTOR | | |
| L411 | L41-6878-14 | CHIP INDUCTOR | | |
| L412 | LB73G0BD-005 | CHIP FERRITE | | |
| L414 | L41-6878-14 | CHIP INDUCTOR | | |
| L415 | L41-8278-14 | CHIP INDUCTOR | | |
| L416 | L41-6878-14 | CHIP INDUCTOR | | |
| L600 | L92-0472-05 | CHIP FERRITE | | |
| L601 | LB73G0BD-005 | CHIP FERRITE | | |
| L650 | LB73G0CQ-001 | CHIP FERRITE | | |
| L651 | L33-3034-05 | CHIP INDUCTOR | | |
| L652 | LB73G0CQ-001 | CHIP FERRITE | | |
| L653 | LB73G0CQ-001 | CHIP FERRITE | | |
| L700 | LB73H0AV-001 | CHIP FERRITE | | |
| L701 | LB73H0AV-001 | CHIP FERRITE | | |
| L702 | LB73H0AV-001 | CHIP FERRITE | | |
| L703 | LB73H0AV-003 | CHIP FERRITE | | |
| L901 | LB73H0AV-003 | CHIP FERRITE | | |
| L902 | LB73H0AV-003 | CHIP FERRITE | | |
| L903 | LB73H0AV-003 | CHIP FERRITE | | |
| L904 | LK73H0AM56NJ | M.CHIP INDUCTOR | 56nH | |
| CN600 | E40-6922-05 | F.C.CONNECTOR | | |
| CN912 | E23-1167-05 | TERMINAL | | |
| CN913 | E23-1167-05 | TERMINAL | | |
| CN914 | E23-1167-05 | TERMINAL | | |
| CN915 | E23-1167-05 | TERMINAL | | |
| CN916 | E23-1167-05 | TERMINAL | | |
| CN918 | E23-1167-05 | TERMINAL | | |
| CN919 | E23-1167-05 | TERMINAL | | |
| CN920 | E23-1167-05 | TERMINAL | | |
| CN921 | E23-1167-05 | TERMINAL | | |
| CP1 | RK74HA1J101J | NET RESISTOR | 100Ω 1/16W J | |
| CP20 | RK74HA1J473J | NET RESISTOR | 47kΩ 1/16W J | |
| CP21 | RK74HA1J473J | NET RESISTOR | 47kΩ 1/16W J | |
| CP23 | RK74HA1J473J | NET RESISTOR | 47kΩ 1/16W J | |
| CP24 | RK74HA1J102J | NET RESISTOR | 1kΩ 1/16W J | |
| CP25 | RK74HA1J473J | NET RESISTOR | 47kΩ 1/16W J | |
| CP26 | RK74HA1J103J | NET RESISTOR | 10kΩ 1/16W J | |
| CP27 | RK74HA1J474J | NET RESISTOR | 470kΩ 1/16W J | |
| CP28 | RK74HA1J103J | NET RESISTOR | 10kΩ 1/16W J | |
| CP401 | RK74HA1J104J | NET RESISTOR | 100kΩ 1/16W J | |
| CP402 | RK74HA1J474J | NET RESISTOR | 470kΩ 1/16W J | |
| F600 | FZA10AW-2R5 | FUSE (CC) | 2.5A | |
| F701 | FZA10BH-R315 | FUSE (CC) | 0.315A | |
| J601 | E11-0703-05 | PHONE JACK | | |
| S601 | S70-0414-05 | TACTILE PUSH SW | | |
| S602 | S70-0414-05 | TACTILE PUSH SW | | |
| S603 | S70-0414-05 | TACTILE PUSH SW | | |
| TH200 | ERTJ0EV104J | THERMISTOR | | |
| TH400 | NCP18WM224J03 | THERMISTOR | | |
| TH401 | ERTJ0EV104J | THERMISTOR | | |
| X1 | L77-3128-05 | TCXO | | |
| X2 | L77-3129-05 | TCXO | | |
| XF400 | L71-0655-05 | MCF | | |