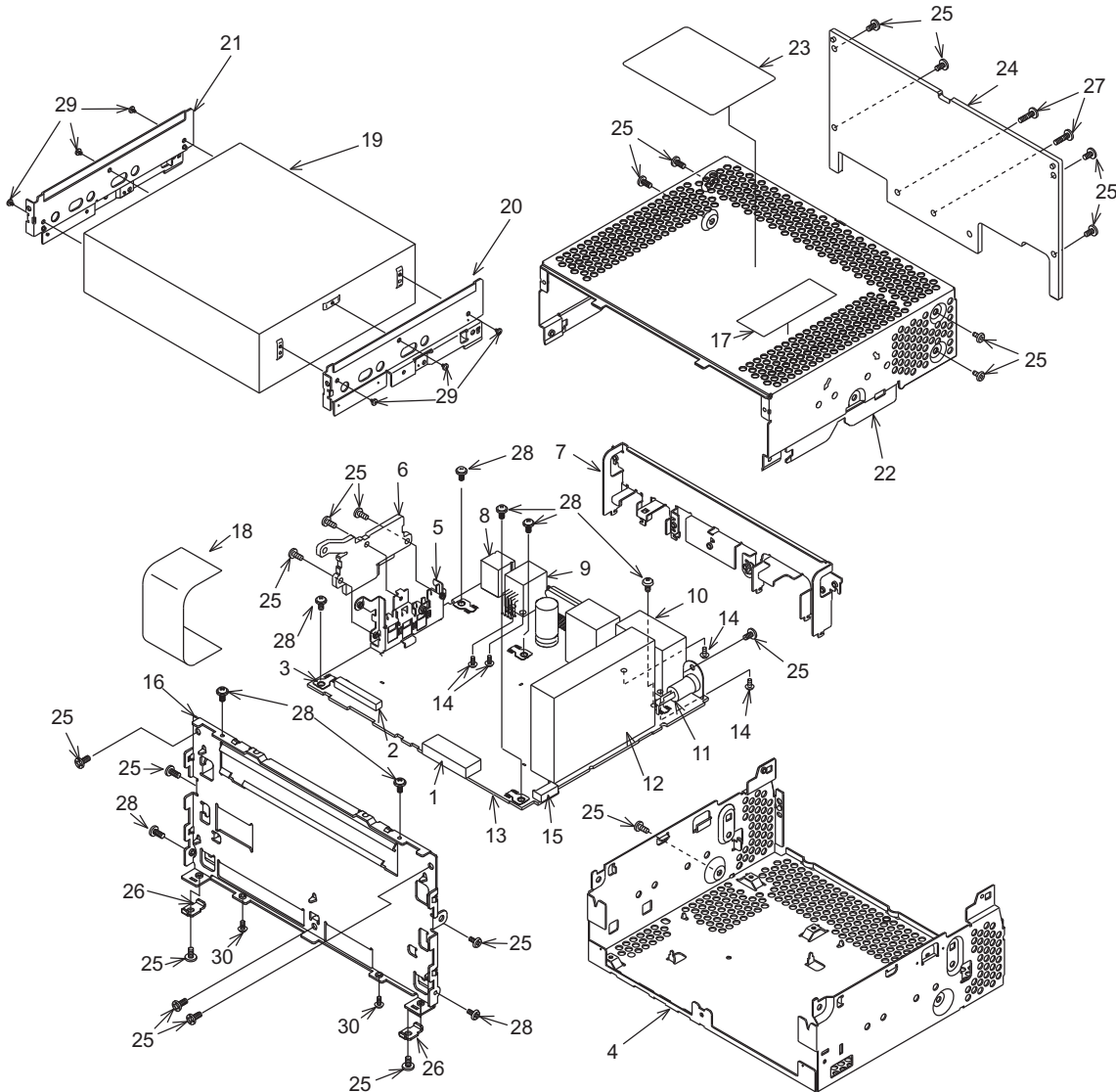


EXPLODED VIEW/PARTS LIST

Main section



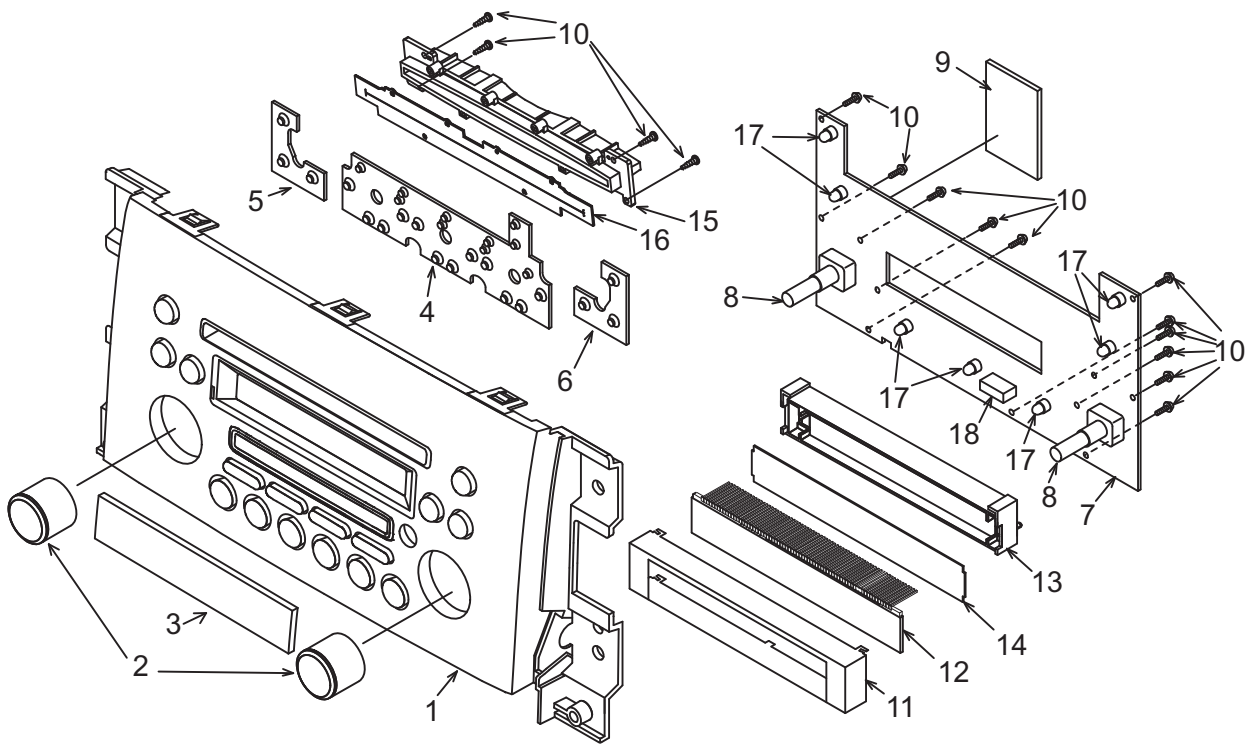
Clamping torque value of a screw is 0.4 +0.08/-0.08 Newton meter.

Note)Some parts depend on each model.The model name is specified in the description.

NO.	PART NO.	DESCRIPTION	Q'TY
1	076-3011-74	PLUG(24P)	1
2	074-1237-69	OUTLET SOCKET	1
3	073-0762-90	TERMINAL	5
4	311-1919-30	LOWER CASE	1
5	331-4126-00	TR HOLDER	1
6	313-1966-00	SUB HEAT SINK	1
7	331-4127-00	REAR PLATE	1
8	074-1194-00	OUTLET SOCKET	1
9	074-1302-08	OUTLET SOCKET	1
10	074-4007-20	OUTLET SOCKET	1
11	092-0702-00	ANT-RECEPT	1
12	941-0221-70	TUNER PACK	1
13	-----	Main PWB	1
14	778-3006-00	TAP-SCREW(3x6)	4
15	780-2603-06	IT SCREW(M2.3x3.0)	2
16	309-0836-11	ES PLATE	1

NO.	PART NO.	DESCRIPTION	Q'TY
17	285-1960-00	GUIDE LABEL	1
18	816-4024-50	FLAT WIRE	1
19	929-0371-85	CD-MECH-MODULE	1
20	331-4091-10	CD BRKT(L)	1
21	331-4092-10	CD BRKT(R)	1
22	310-1826-60	UPPER CASE	1
23	276-0273-17	SETPLATE(PS3037DA)	1
	276-0273-18	SETPLATE(PS3037DB)	1
	276-0273-19	SETPLATE(PS3038DA)	1
	276-0273-20	SETPLATE(PS3038DB)	1
24	313-1962-00	HEAT SINK	1
25	714-2606-8B	MACHINE SCREW(M2.6x6)	20
26	331-4193-20	SU-PLATE	2
27	714-2610-89	MACHINE SCREW(M2.6x10)	2
28	716-0878-50	IT SCREW(M2.6x5)	9
29	716-3552-00	IT SCREW(M2.3x2.5)	6

Escutcheon section



Clamping torque value of a screw is 0.2 +0.04/-0.04 Newton meter.

Note)Some parts depend on each model.The model name is specified in the description.

NO.	PART NO.	DESCRIPTION	Q'TY
1	940-8171-40	ES-ASSY(PS3037DA) BLACK	1
		ES-ASSY(PS3038DA) BLACK	1
	940-8171-41	ES-ASSY(PS3037DB) BLOWN	1
		ES-ASSY(PS3038DB) BLOWN	1
2	380-5610-00	KNOB	2
3	373-1047-00	DIAL COVER	1
4	345-5782-01	RUBBER SW (CENTER)	1
5	345-5783-00	RUBBER SW (LEFT)	1
6	345-5784-00	RUBBER SW (RIGHT)	1
7	-----	Switch PWB	1
8	016-0018-17	VR W/SHAFT	2
9	345-6006-00	PROTECTOR	1

NO.	PART NO.	DESCRIPTION	Q'TY
10	716-0778-51	P-TITE SCREW (2x6)	15
11	331-3883-00	LCD COVER	1
12	379-1362-51	INDICATOR (LCD)	1
13	335-7956-00	LCD HOLDER	1
14	335-7929-00	COLOR FILTER	1
15	335-7946-00	DISC GUIDE(6CD)	1
16	346-0182-01	LEATHER SHEET	1
17	017-0420-43	PILOT LAMP (14V 40mA RED)	7
18	074-3013-74	OUTLETSOCKET	1

ELECTRICAL PARTS LIST

Main PWB section (B1)

Note)Some parts depend on each model.The model name is specified in the description.
(PS3037D;PS-3037D-A,PS-3037D-B / PS3038D;PS-3038D-A,PS-3038D-B)

Note)Several different parts of the same reference number are alternative parts.

One of those parts is used in the set.

REF No.	PART No.	DESCRIPTION	REF No.	PART No.	DESCRIPTION	REF No.	PART No.	DESCRIPTION
ANT101	092-0702-00	ANT-RECEPT	C399	163-1053-65	50V 1uF	D851	001-4301-68	HZU18B1
BL101	941-0221-70	TUNER PACK	C400	166-2201-50	22pF CH	IC121	051-6212-18	LC72191JM-JC
C103	168-2232-55	0.022uF K	C401	166-3911-50	390pF CH	IC241	051-3367-90	NJU7780U1-33-TE2
C104	188-1073-28	10V 100uF	C402	043-0570-90	16V 2.2uF K	IC272	051-3334-00	NJM2396F0
C105	168-1042-78	16V 0.1uF	C403	168-5632-78	16V 0.056uF	IC351	051-3034-90	NJM4558V
C106	168-1042-78	16V 0.1uF	C404	043-0570-90	16V 2.2uF K	IC391	051-2040-00	TA8276H
C107	188-1073-28	10V 100uF	C405	188-1063-38	16V 10uF	IC401	051-5046-90	CL7639V20
C108	168-1042-78	16V 0.1uF	C406	188-1073-28	10V 100uF	IC501	052-3211-12	M30622MGP-E30GP
C109	168-2232-55	0.022uF K	C407	168-1042-78	16V 0.1uF	IC502	051-0869-58	NJM2103M
C111	168-3332-78	0.033uF K	C408	166-3911-50	390pF CH	IC503	051-9400-29	BR93L46F-W
C112	168-4745-79	0.47uF Z	C409	043-0570-90	16V 2.2uF K	IC504	051-6600-58	HA12187FP
C113	168-8232-78	0.082uF K	C410	168-5632-78	16V 0.056uF	IC741	051-3369-00	NJM2388F8
C114	168-8232-78	0.082uF K	C411	043-0570-90	16V 2.2uF K	J241	074-1237-69	19PIN
C121	166-1801-50	18pF CH	C412	168-1042-78	16V 0.1uF	J701	074-1194-00	13PIN
C122	188-4763-38	16V 47uF	C417	178-4742-78	0.47uF	J721	074-1302-08	8PIN
C123	168-1022-55	1000pF K	C418	168-4722-55	4700pF K	J801	074-4007-20	20PIN
C124	042-1458-90	50V 1uF LN	C419	178-4742-78	0.47uF	L101	010-2003-04	30uH
C125	166-1501-50	15pF CH	C420	168-4722-55	4700pF K	L102	010-6009-76	22uH J
C126	166-1011-50	100pF CH	C421	178-4742-78	0.47uF	L103	010-6009-76	22uH J
C127	166-1011-50	100pF CH	C422	168-4722-55	4700pF K	L121	010-6009-76	22uH J
C128	166-1011-50	100pF CH	C423	178-4742-78	0.47uF	L501	010-6009-76	22uH J
C129	166-1011-50	100pF CH	C424	168-4722-55	4700pF K	L502	010-6009-76	22uH J
C130	168-2232-55	0.022uF K	C501	168-1042-78	16V 0.1uF	L801	010-8026-00	210uH
C131	188-4763-38	16V 47uF	C502	188-4763-18	6.3V 47uF	P501	076-3011-74	24P PLUG
C132	166-1811-50	180pF CH	C503	168-1032-55	0.01uF K	P503	076-0717-09	9P
C133	168-1042-78	16V 0.1uF	C504	168-1032-55	0.01uF K	Q121	191-1197-50	2SB1197K Q,R
C160	168-1042-78	16V 0.1uF	C505	168-1032-55	0.01uF K	Q122	191-1197-50	2SB1197K Q,R
C212	188-4763-38	16V 47uF	C506	168-1042-78	16V 0.1uF	Q123	191-1197-50	2SB1197K Q,R
C222	168-1042-78	16V 0.1uF	C507	188-1053-68	50V 1uF	Q124	192-4155-51	2SC4155A S,T
C241	168-2232-55	0.022uF K	C509	168-1022-55	1000pF K	Q125	192-4155-51	2SC4155A S,T
C243	188-4763-38	16V 47uF	C510	168-1022-55	1000pF K	Q241	125-0034-92	RT1P141M
C244	168-1042-78	16V 0.1uF	C511	168-1042-78	16V 0.1uF	Q242	125-2041-92	RT1N141M
C245	168-1042-78	16V 0.1uF	C512	168-1032-55	0.01uF K	Q243	193-0601-00	2SD601A
C274	189-2273-29	10V 220uF	C513	189-1073-29	10V 100uF	Q244	192-4155-51	2SC4155A S,T
C276	043-0328-90	0.1uF	C514	168-1042-78	16V 0.1uF	Q245	125-2041-92	RT1N141M
C301	178-1052-78	1uF	C515	166-1011-50	100pF CH	Q246	125-0034-92	RT1P141M
C302	178-1052-78	1uF	C516	188-1063-38	16V 10uF	Q247	125-2041-92	RT1N141M
C305	178-1052-78	1uF	C517	042-0559-00	0.1F 5.5V	Q248	198-3018-00	2SK3018
C306	178-1052-78	1uF	C722	168-1042-78	16V 0.1uF	Q249	198-3018-00	2SK3018
C309	168-1832-55	0.018uF K	C731	172-1041-15	0.1uF	Q391	125-2041-92	RT1N141M
C310	168-1832-55	0.018uF K	C732	188-1053-68	50V 1uF	Q392	192-4155-51	2SC4155A S,T
C311	188-2253-68	50V 2.2uF	C741	043-0328-90	0.1uF	Q502	190-2071-00	2SA2071 T100
C312	188-2253-68	50V 2.2uF	C744	188-1073-28	10V 100uF	Q503	192-4155-51	2SC4155A S,T
C313	188-2253-68	50V 2.2uF	C761	188-1063-38	16V 10uF	Q504	192-4155-51	2SC4155A S,T
C314	188-2253-68	50V 2.2uF	C762	188-1063-38	16V 10uF	Q505	192-4155-51	2SC4155A S,T
C318	168-1522-55	1500pF K	C771	188-1073-28	10V 100uF	Q506	193-2118-50	2SD2118F5 R,S
C319	168-1522-55	1500pF K	C772	188-1063-38	16V 10uF	Q701	192-4155-51	2SC4155A S,T
C334	166-4711-50	470pF CH	C811	172-1041-15	0.1uF	Q711	190-2071-00	2SA2071 T100
C335	166-4711-50	470pF CH	C821	188-1063-38	16V 10uF	Q712	192-4155-51	2SC4155A S,T
C346	188-1073-28	10V 100uF	CCT501	050-0140-54	1/32W 1k ohm x4J	Q761	192-5810-00	2SC5810 TE12L
C352	168-1042-78	16V 0.1uF	CCT504	050-0140-54	1/32W 1k ohm x4J	Q762	125-0034-92	RT1P141M
C353	042-1562-65	10V 220uF	CCT505	050-0140-54	1/32W 1k ohm x4J	Q763	125-2041-92	RT1N141M
C354	166-2201-50	22pF CH	D391	001-0580-90	1SS352	Q771	192-5886-00	2SC5886
C355	166-2201-50	22pF CH	D505	001-0580-90	1SS352	Q773	192-4155-51	2SC4155A S,T
C356	166-1007-50	10pF CH	D506	001-2403-90	M1F60	Q775	192-4155-51	2SC4155A S,T
C357	166-1007-50	10pF CH	D507	001-4301-25	HZU4.7B1	Q776	125-0034-92	RT1P141M
C358	188-1063-38	16V 10uF	D508	001-0466-90	S5688B	Q777	125-2041-92	RT1N141M
C359	188-1063-38	16V 10uF	D509	001-0504-36	HZS7A1L	Q821	190-2071-00	2SA2071 T100
C360	188-1063-38	16V 10uF	D701	001-0424-31	MA4180	Q822	192-4155-51	2SC4155A S,T
C361	188-1063-38	16V 10uF	D702	001-0424-31	MA4180	R101	119-0000-05	1/10W 0 ohm JW
C391	168-1042-78	16V 0.1uF	D703	001-0424-31	MA4180	R102	119-0000-05	1/10W 0 ohm JW
C392	168-1042-78	16V 0.1uF	D711	001-0466-90	S5688B	R103	119-1041-15	1/10W 100k ohm
C393	168-1042-78	16V 0.1uF	D712	001-0466-90	S5688B	R104	119-2221-15	1/10W 2.2k ohm
C394	168-1042-78	16V 0.1uF	D731	001-0466-90	S5688B	R105	119-5611-15	1/10W 560 ohm
C395	168-1032-55	0.01uF K	D761	001-0504-39	HZS7B2L	R106	119-2221-15	1/10W 2.2k ohm
C396	163-1053-65	50V 1uF	D771	001-0347-43	MA4082LTA	R107	116-1001-15	1/4W 10 ohm
C397	042-1624-00	4700 16V	D772	001-0347-30	MA4051HTA	R108	119-2231-15	1/10W 22k ohm
C398	163-1063-35	16V 10uF	D801	001-0592-00	RM4Z	R109	119-5121-15	1/10W 5.1k ohm

REF No.	PART No.	DESCRIPTION	REF No.	PART No.	DESCRIPTION	REF No.	PART No.	DESCRIPTION
R111	166-8201-50	82pF CH	R400	119-1031-15	1/10W 10k ohm	R568	119-4731-15	1/10W 47k ohm
R122	119-3321-15	1/10W 3.3k ohm	R401	119-2731-15	1/10W 27k ohm	R570	119-4731-15	1/10W 47k ohm
R123	119-4721-15	1/10W 4.7k ohm	R402	119-2021-15	1/10W 2k ohm	R572	119-4731-15	1/10W 47k ohm
R124	119-2221-15	1/10W 2.2k ohm	R403	119-2731-15	1/10W 27k ohm	R573	119-4731-15	1/10W 47k ohm (PS3038D)
R125	119-1021-15	1/10W 1k ohm	R404	119-2021-15	1/10W 2k ohm	R574	119-4731-15	1/10W 47k ohm (PS3037D)
R127	119-5631-15	1/10W 56k ohm	R405	119-0000-05	1/10W 0 ohm JW	R576	119-0000-05	1/10W 0 ohm JW
R128	119-4731-15	1/10W 47k ohm	R502	119-4721-15	1/10W 4.7k ohm	R701	116-1211-15	1/4W 120 ohm
R130	119-2221-15	1/10W 2.2k ohm	R503	119-4721-15	1/10W 4.7k ohm	R702	116-6801-15	1/4W 68 ohm
R131	119-1031-15	1/10W 10k ohm	R504	119-4721-15	1/10W 4.7k ohm	R703	119-2231-15	1/10W 22k ohm
R132	119-1031-15	1/10W 10k ohm	R510	119-4721-15	1/10W 4.7k ohm	R704	119-2231-15	1/10W 22k ohm
R133	119-2221-15	1/10W 2.2k ohm	R511	119-4721-15	1/10W 4.7k ohm	R711	116-2221-15	1/4W 2.2k ohm
R134	119-2221-15	1/10W 2.2k ohm	R512	119-4721-15	1/10W 4.7k ohm	R712	117-1031-15	1/8W 10k ohm
R135	119-1031-15	1/10W 10k ohm	R513	119-4721-15	1/10W 4.7k ohm	R713	116-2221-15	1/4W 2.2k ohm
R242	119-4731-15	1/10W 47k ohm	R514	119-1021-15	1/10W 1k ohm	R714	119-1031-15	1/10W 10k ohm
R243	119-1021-15	1/10W 1k ohm	R515	119-1041-15	1/10W 100k ohm	R715	119-3321-15	1/10W 3.3k ohm
R245	119-3331-15	1/10W 33k ohm	R516	119-1041-15	1/10W 100k ohm	R726	119-1021-15	1/10W 1k ohm
R246	119-4731-15	1/10W 47k ohm	R517	116-1001-15	1/4W 10 ohm	R731	116-5621-15	1/4W 5.6k ohm
R248	119-1041-15	1/10W 100k ohm	R520	119-4731-15	1/10W 47k ohm	R732	116-4721-15	1/4W 4.7k ohm
R250	119-3331-15	1/10W 33k ohm	R521	119-4731-15	1/10W 47k ohm	R761	032-0092-56	1/8W 22k ohm F
R253	119-4731-15	1/10W 47k ohm	R522	119-4731-15	1/10W 47k ohm	R762	119-1541-15	1/10W 150k ohm
R255	119-3331-15	1/10W 33k ohm	R527	119-4721-15	1/10W 4.7k ohm	R763	032-0092-51	1/8W 1k ohm F
R256	119-0000-05	1/10W 0 ohm JW	R528	032-0140-66	1/10W 220 ohm F	R764	119-1221-15	1/10W 1.2k ohm
R258	119-4731-15	1/10W 47k ohm	R529	119-1031-15	1/10W 10k ohm	R771	119-0000-05	1/10W 0 ohm JW
R271	119-4731-15	1/10W 47k ohm	R530	119-1041-15	1/10W 100k ohm	R772	119-2231-15	1/10W 22k ohm
R273	119-0000-05	1/10W 0 ohm JW	R531	119-1031-15	1/10W 10k ohm	R773	116-1021-15	1/4W 1k ohm
R301	119-1021-15	1/10W 1k ohm	R532	119-4721-15	1/10W 4.7k ohm	R774	119-2231-15	1/10W 22k ohm
R302	119-1021-15	1/10W 1k ohm	R533	119-4721-15	1/10W 4.7k ohm	R779	116-1821-15	1/4W 1.8k ohm
R305	119-1021-15	1/10W 1k ohm	R534	119-1021-15	1/10W 1k ohm	R780	117-1821-15	1/8W 1.8k ohm
R306	119-1021-15	1/10W 1k ohm	R535	119-1031-15	1/10W 10k ohm	R781	119-0000-05	1/10W 0 ohm JW
R309	119-1021-15	1/10W 1k ohm	R536	119-2221-15	1/10W 2.2k ohm	R793	119-0000-05	1/10W 0 ohm JW
R310	119-1021-15	1/10W 1k ohm	R537	119-1031-15	1/10W 10k ohm	R801	119-0000-05	1/10W 0 ohm JW
R311	119-5631-15	1/10W 56k ohm	R538	119-1031-15	1/10W 10k ohm	R802	119-0000-05	1/10W 0 ohm JW
R312	119-5631-15	1/10W 56k ohm	R539	119-1031-15	1/10W 10k ohm	R821	116-1031-15	1/4W 10k ohm
R313	119-5631-15	1/10W 56k ohm	R540	119-4731-15	1/10W 47k ohm	R822	119-3321-15	1/10W 3.3k ohm
R314	119-5631-15	1/10W 56k ohm	R541	119-5621-15	1/10W 5.6k ohm	R823	119-1031-15	1/10W 10k ohm
R323	119-0000-05	1/10W 0 ohm JW	R542	119-2231-15	1/10W 22k ohm	R824	116-2221-15	1/4W 2.2k ohm
R324	119-0000-05	1/10W 0 ohm JW	R544	119-4731-15	1/10W 47k ohm	R825	116-2221-15	1/4W 2.2k ohm
R325	119-0000-05	1/10W 0 ohm JW	R545	119-6831-15	1/10W 68k ohm	R826	119-8221-15	1/10W 8.2k ohm
R326	119-0000-05	1/10W 0 ohm JW	R546	119-1021-15	1/10W 1k ohm	R903	119-0000-05	1/10W 0 ohm JW (PS3037D)
R351	119-8211-15	1/10W 820 ohm	R547	119-1021-15	1/10W 1k ohm	R904	119-0000-05	1/10W 0 ohm JW
R352	119-1021-15	1/10W 1k ohm	R548	119-1031-15	1/10W 10k ohm	R905	119-0000-05	1/10W 0 ohm JW (PS3038D)
R353	032-0140-50	1/10W 10k ohm F	R549	119-3341-15	1/10W 330k ohm	SUP101	060-0122-20	DSP-141N-S00B
R354	032-0140-50	1/10W 10k ohm F	R550	032-0140-22	1/10W 68k ohm F	TH711	002-0318-21	THERMISTOR
R355	032-0140-50	1/10W 10k ohm F	R551	032-0140-00	1/10W 56k ohm F	TM101	073-0762-90	TERMINAL
R356	032-0140-50	1/10W 10k ohm F	R552	117-6821-15	1/8W 6.8k ohm	TM501	073-0762-90	TERMINAL
R357	032-0140-50	1/10W 10k ohm F	R553	119-4731-15	1/10W 47k ohm	TM502	073-0762-90	TERMINAL
R358	032-0140-50	1/10W 10k ohm F	R554	119-4731-15	1/10W 47k ohm	TM801	073-0762-90	TERMINAL
R359	032-0140-50	1/10W 10k ohm F	R555	119-5621-15	1/10W 5.6k ohm	TM802	073-0762-90	TERMINAL
R360	032-0140-50	1/10W 10k ohm F	R556	119-1021-15	1/10W 1k ohm	X121	061-1066-00	CRYSTAL 7.2MHZ
R391	119-5631-15	1/10W 56k ohm	R557	119-4731-15	1/10W 47k ohm	X501	060-1533-90	CSTCE10M0G52-RO
R392	119-1221-15	1/10W 1.2k ohm	R558	119-1031-15	1/10W 10k ohm	PWB	039-3099-00	PWB(WITHOUT COMPONENT)
R393	119-2221-15	1/10W 2.2k ohm	R559	119-1021-15	1/10W 1k ohm			
R394	119-2221-15	1/10W 2.2k ohm	R560	119-1021-15	1/10W 1k ohm			
R395	119-2221-15	1/10W 2.2k ohm	R561	119-1021-15	1/10W 1k ohm			
R396	119-2221-15	1/10W 2.2k ohm	R562	119-1021-15	1/10W 1k ohm			
R397	119-1031-15	1/10W 10k ohm	R563	119-0000-05	1/10W 0 ohm JW			
R398	119-4731-15	1/10W 47k ohm	R564	119-1021-15	1/10W 1k ohm			
R399	119-4731-15	1/10W 47k ohm	R566	119-1021-15	1/10W 1k ohm			

Switch PWB section (B2)

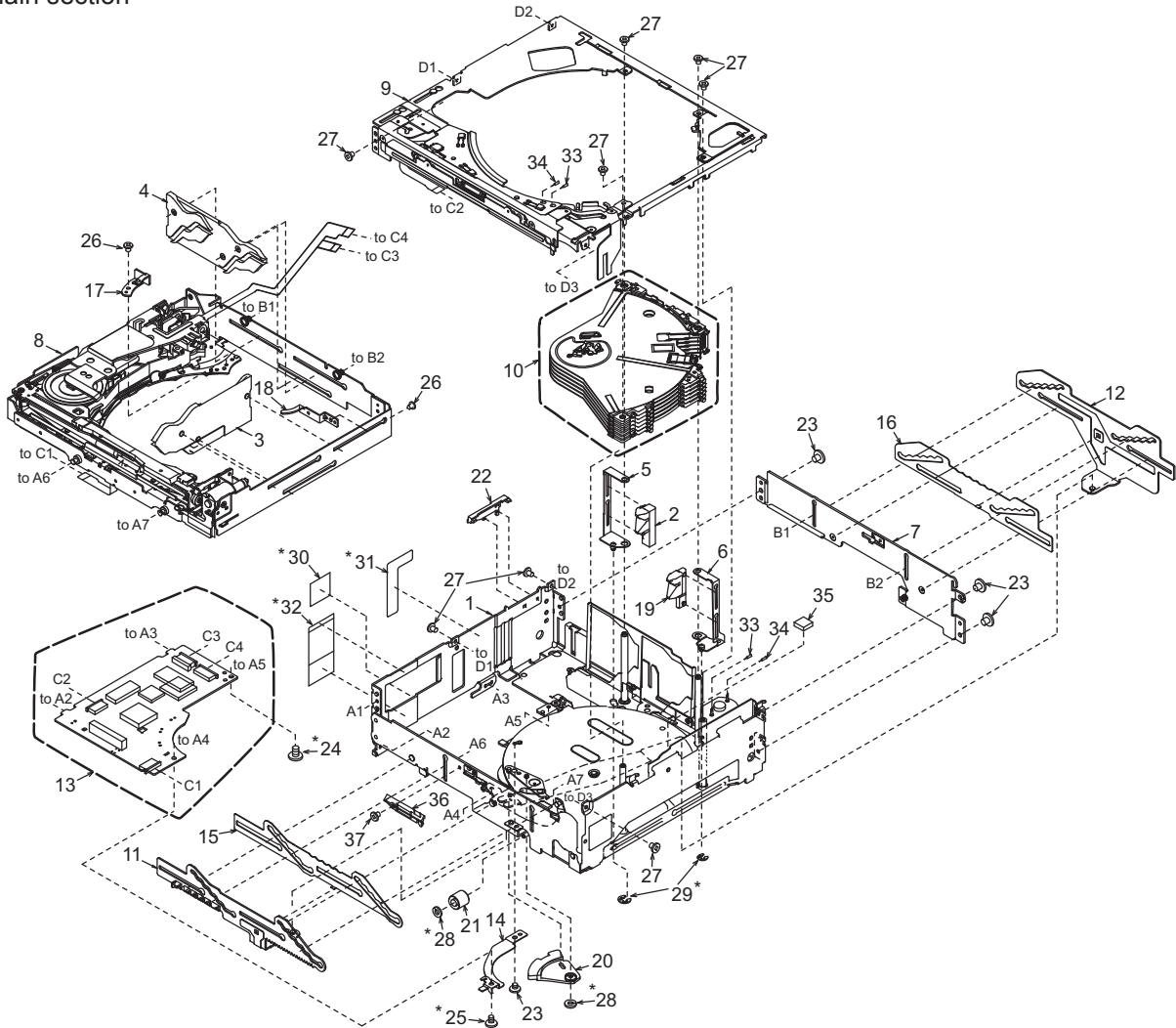
REF No.	PART No.	DESCRIPTION	REF No.	PART No.	DESCRIPTION	REF No.	PART No.	DESCRIPTION
C901	168-1042-78	16V 0.1uF	D906	001-7048-91	RFR1112H-22 C,D RED	D912	001-7048-91	RFR1112H-22 C,D RED
C902	168-1042-78	16V 0.1uF	D907	001-7048-91	RFR1112H-22 C,D RED	D913	001-7087-90	RBR1112H C,D,E RED
C903	168-1042-78	16V 0.1uF	D908	001-7048-91	RFR1112H-22 C,D RED	IC901	051-6084-00	NJU6625FG1-03
C904	168-1042-78	16V 0.1uF	D909	001-7048-91	RFR1112H-22 C,D RED	J901	074-3013-74	24P
C905	168-1042-78	16V 0.1uF	D910	001-7048-91	RFR1112H-22 C,D RED	L901	010-3406-66	22uH J
C906	178-1052-78	1uF	D911	001-7048-91	RFR1112H-22 C,D RED	LCD901	379-1362-51	INDICATOR(LCD)
D901	001-0580-90	1SS352				PL901	017-0420-43	14V 40mA RED
D902	001-0580-90	1SS352				PL902	017-0420-43	14V 40mA RED
D903	001-0580-90	1SS352				PL903	017-0420-43	14V 40mA RED
D904	001-0580-90	1SS352				PL904	017-0420-43	14V 40mA RED
D905	001-7048-91	RFR1112H-22 C,D RED						

PS-3037D-A,B
PS-3038D-A,B

REF No.	PART No.	DESCRIPTION	REF No.	PART No.	DESCRIPTION	REF No.	PART No.	DESCRIPTION
PL905	017-0420-43	14V 40mA RED	R920	119-1021-15	1/10W 1k ohm	R933	119-5611-15	1/10W 560 ohm
PL907	017-0420-43	14V 40mA RED	R921	119-1841-15	1/10W 180k ohm	R934	119-4711-15	1/10W 470 ohm
PL908	017-0420-43	14V 40mA RED	R922	119-1841-15	1/10W 180k ohm	R935	119-4711-15	1/10W 470 ohm
R901	119-0000-05	1/10W 0 ohm JW	R923	119-1841-15	1/10W 180k ohm	R936	119-5611-15	1/10W 560 ohm
R902	119-0000-05	1/10W 0 ohm JW	R924	119-1841-15	1/10W 180k ohm	R937	119-7511-15	1/10W 750 ohm
R907	119-0000-05	1/10W 0 ohm JW	R925	119-4711-15	1/10W 470 ohm	R938	119-8211-15	1/10W 820 ohm
R908	119-0000-05	1/10W 0 ohm JW	R926	119-4711-15	1/10W 470 ohm	R939	119-8211-15	1/10W 820 ohm
R909	119-0000-05	1/10W 0 ohm JW	R927	119-5611-15	1/10W 560 ohm	R940	119-0000-05	1/10W 0 ohm JW
R910	119-0000-05	1/10W 0 ohm JW	R928	119-4711-15	1/10W 470 ohm	TH902	002-0306-90	SC20-3J153
R914	119-0000-05	1/10W 0 ohm JW	R929	119-4711-15	1/10W 470 ohm	VR901	016-0018-17	VR W/SHAFT
R917	119-0000-05	1/10W 0 ohm JW	R930	119-5611-15	1/10W 560 ohm	VR902	016-0018-17	VR W/SHAFT
R918	119-4341-15	1/10W 430k ohm	R931	119-4711-15	1/10W 470 ohm	PWB	039-2987-01	PWB(WITHOUT COMPONENT)
R919	119-1021-15	1/10W 1k ohm	R932	119-4711-15	1/10W 470 ohm			

EXPLODED VIEW/PARTS LIST

Main section

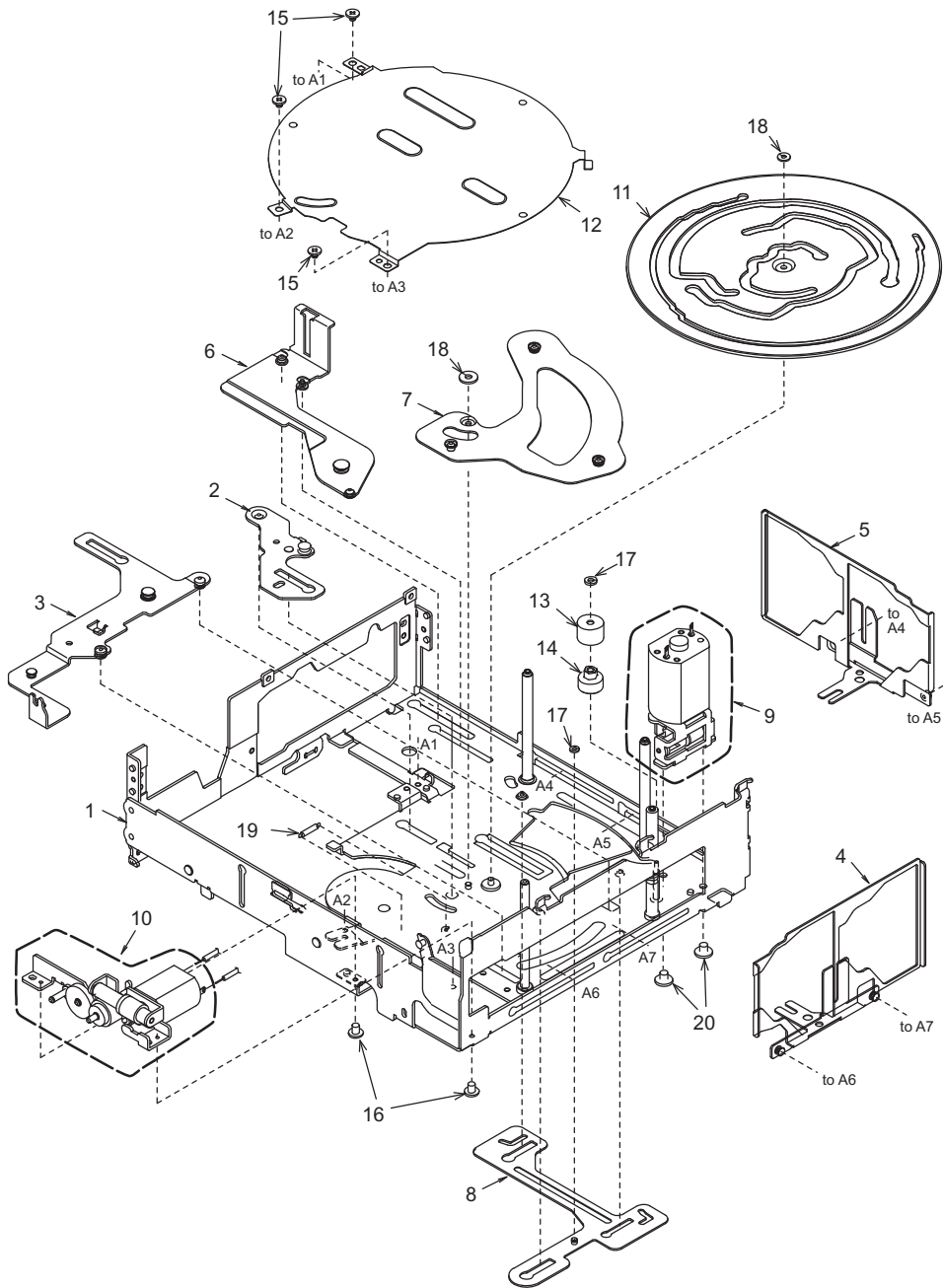


* Do not reuse the following parts.

(No.24,25,28,29,30,31,32)

NO.	PART NO.	DESCRIPTION	Q'TY	NO.	PART NO.	DESCRIPTION	Q'TY
1	966-1756-28	LOWER UNIT ASSY	1	20	621-1636-24	SW LINK	1
2	966-0667-21	DISC STP-ASSY L	1	21	621-1765-20	UD-GEAR-D	1
3	HBS-586-100	DH-SEL-ASSY S	1	22	621-1715-20	FPC-STOPPER	1
4	HBS-587-100	DH-SEL-ASSY R	1	23	716-1850-01	SCREW(M2.0x2.0)	4
5	966-0670-22	DS-SP-ASSY L	1	24	716-1850-02	SCREW(M2.0x2.0)	1
6	966-1760-21	DS-SP-ASSY R	1	25	716-1851-02	SCREW(M2.0x3.0)	1
7	966-0672-21	REAR-P-ASSY	1	26	716-3450-00	SCREW(M1.7x2.0)	2
8	966-1753-22	S-DRIVE-CH UNIT	1	27	716-3451-01	SCREW(M1.7x2.5)	8
9	966-1764-21	UPPER UNIT ASSY	1	28	746-0761-00	WASHER	2
10	HBS-566-200	DISC HOLDER UNIT	1	29	744-0045-01	C-RING	2
11	966-1771-21	SLIDE-P-ASSY F	1	30	347-7271-00	FPC SHEET	1
12	966-0709-21	SLIDE-P-ASSY R	1	31	347-7275-00	PROTECT SHEET	1
13	HBS-564-200	CD-PWB-ASSY	1	32	347-7276-00	FPC-SHEET C	1
14	620-1640-20	SW-H-PLATE	1	33	800-4921-60	VINYL-COAT-WIRE	1
15	620-1778-20	GAP PLATE F	1	34	802-4921-60	VINYL-COAT-WIRE	1
16	620-1662-21	GAP PLATE R	1	35	345-5824-00	RUBBER PART	1
17	620-1685-21	DS-PLATE L	1	36	621-1763-20	LOADING GUIDE B	1
18	620-1686-20	DS-PLATE R	1	37	716-1859-01	IT SCREW(M1.7 x 2)	1
19	621-1760-21	DISC STOPPER R	1				


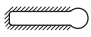

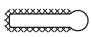

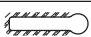


Lower unit assy section : 966-1756-28

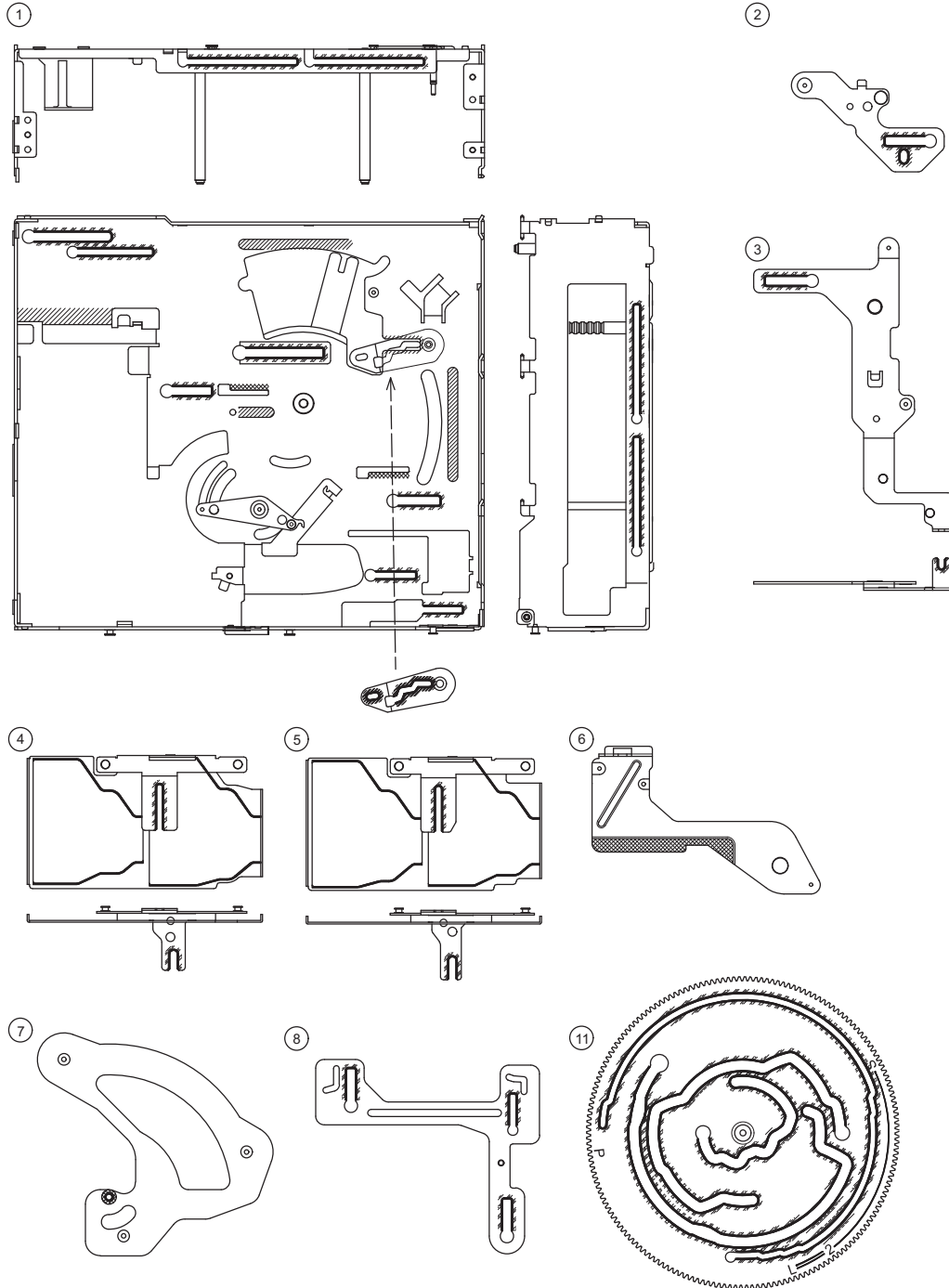


NO.	PART NO.	DESCRIPTION	Q'TY	NO.	PART NO.	DESCRIPTION	Q'TY
1	966-1757-25	LOWER-C-ASSY	1	11	620-1771-22	CAM GEAR	1
2	966-0658-22	DH-SP-ASSY A	1	12	620-1624-24	GEAR COVER	1
3	966-1758-20	DS-SP-ASSY A	1	13	621-0732-21	M-GEAR B	1
4	966-0660-22	DH-SP-ASSY S	1	14	621-0733-20	M-GEAR C	1
5	966-0661-23	DH-SP-ASSY R	1	15	716-1850-01	SCREW(M2.0x2.0)	5
6	966-0677-23	D-SHT PL-B-ASSY	1	16	716-3451-01	SCREW(M1.7x2.5)	2
7	966-0659-22	DH-SP-ASSY B	1	17	746-0761-00	WASHER	2
8	966-1759-00	DS-SP-ASSY B	1	18	746-0768-00	WASHER	2
9	HBS-546-100	M-MTR SUB ASSY	1	19	750-6756-20	SW-L-SPRING	1
10	HBS-568-100	UD-MOTOR-ASSY	1	20	716-1851-03	SCREW(M2.0x3.0)	2

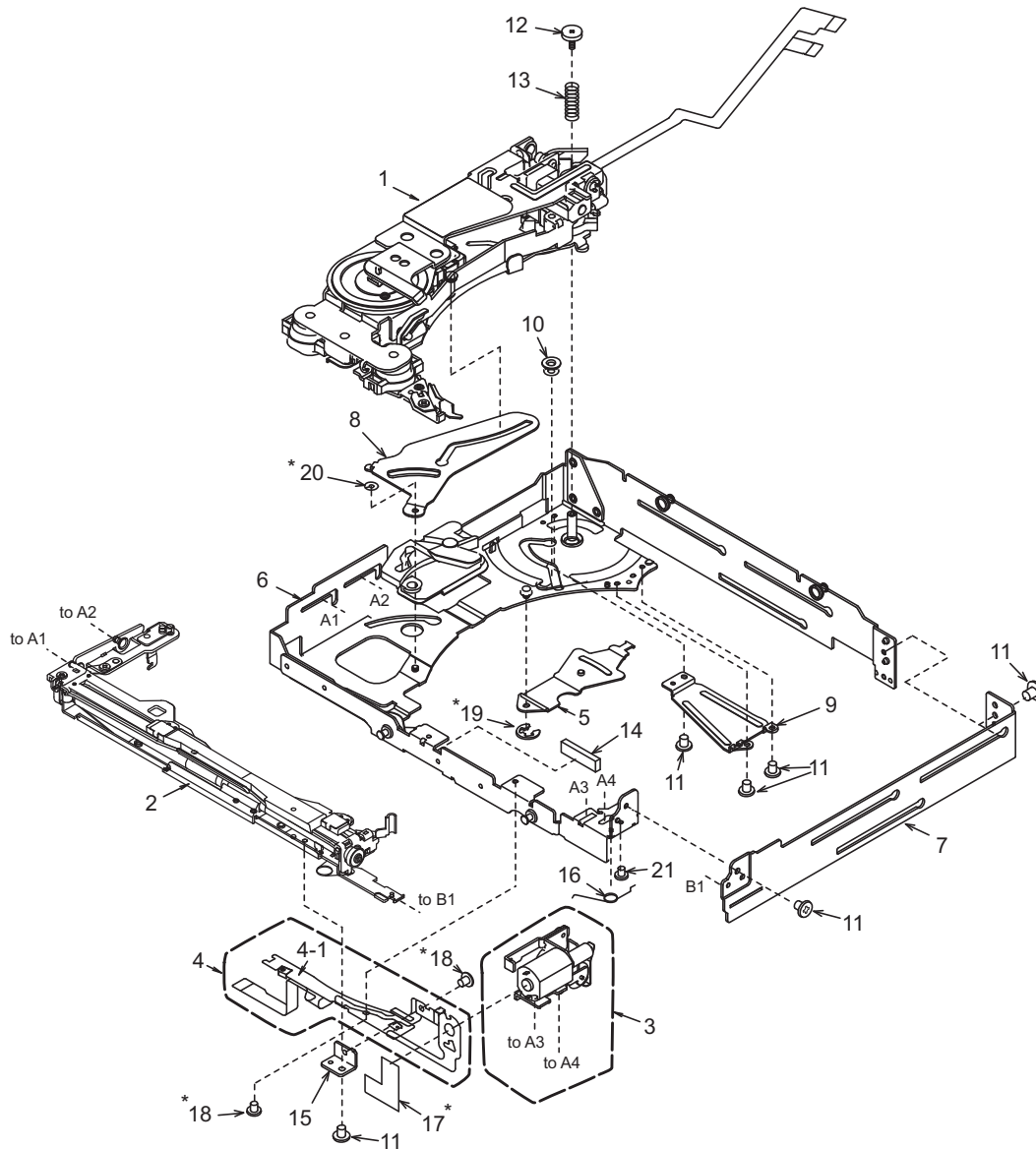
[Grease Point]

* Grease: SANKOL FG-87HSR

	Put grease on the surface	
	Put grease on the reverse side	
	Put grease on the both sides	
	Put grease on the edge	



S-Drive-CH unit section : 966-1753-22




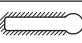


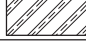
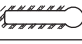


* Do not reuse the following parts.
(No.17,18,19,20)

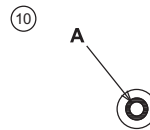
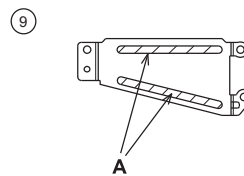
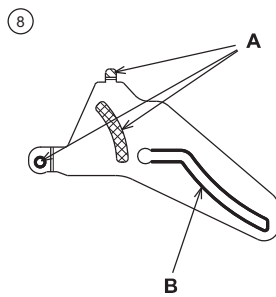
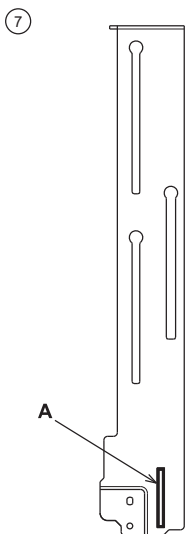
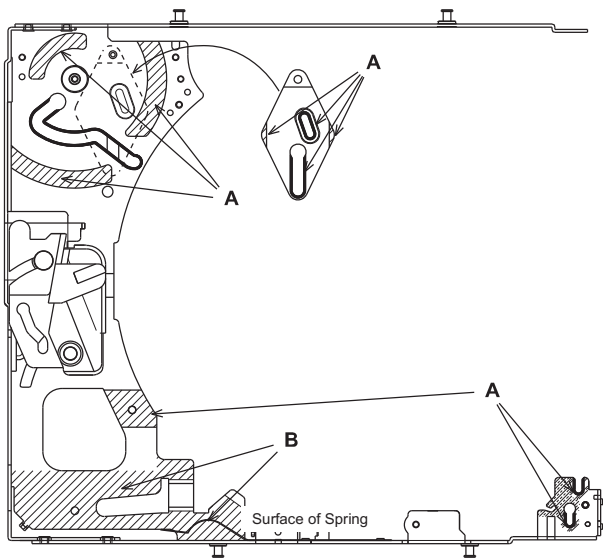
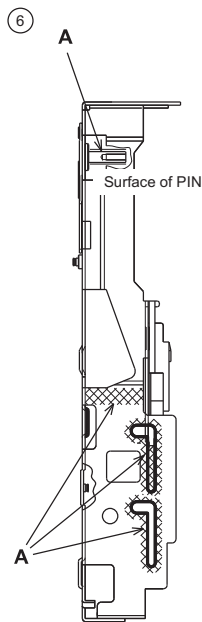
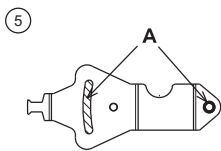
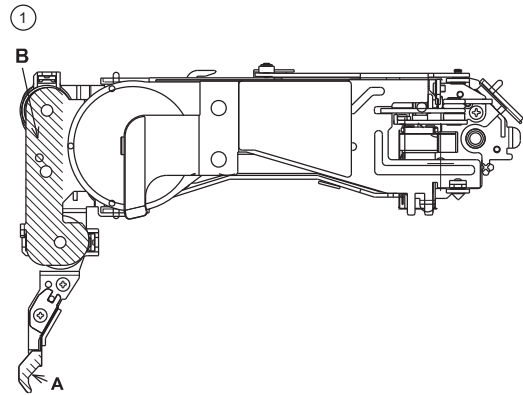
NO.	PART NO.	DESCRIPTION	Q'TY	NO.	PART NO.	DESCRIPTION	Q'TY
1	HBS-565-200	N-DRIVE UNIT	1	11	716-3450-00	SCREW(M1.7x2.0)	6
2	HBS-567-200	LOADING-U-ASSY	1	12	716-3459-01	SCREW(M1.7x2.0)	1
3	HBS-556-100	LO-MOTOR-S-ASSY	1	13	750-6761-20	DRIVE SPRING A	1
4	HBS-552-200	L-SENSOR-S-ASSY	1	14	345-5868-01	RUBBER PART	1
4-1	-----	SENSOR-L-FPC	1	15	620-1651-21	S-PWB-PLATE	1
5	966-0676-21	D-SHT LK-A-ASSY	1	16	750-6754-20	LO-ES-SPRING B	1
6	966-1755-22	DRIVE-CH A ASSY	1	17	345-5424-01	SEN-FPC GUIDE	1
7	620-1681-21	DRIVE CHASSIS B	1	18	716-1859-01	SCREW(M1.7x2.0)	2
8	620-1672-21	DR-SUPPORT-PL	1	19	744-0039-00	E-RING	1
9	620-1680-20	D-SHIFT COVER	1	20	746-0870-00	WASHER	1
10	622-1743-21	D-SHIFT ROLLER B	1	21	716-3538-00	SCREW(M1.7x2.0)	1

[Grease Point]

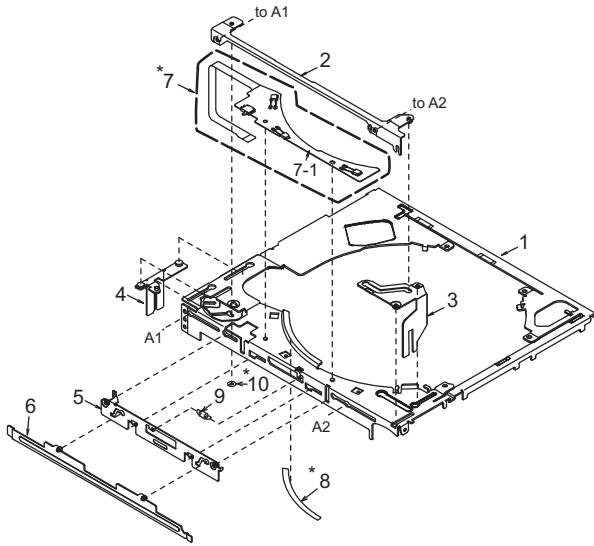
* Grease A: SANKOL FG-87HSR

* Grease B: SANKOL CFD-006MBL

	Put grease on the surface	
	Put grease on the reverse side	
	Put grease on the both sides	
	Put grease on the edge	



Upper unit assy section : 966-1764-21



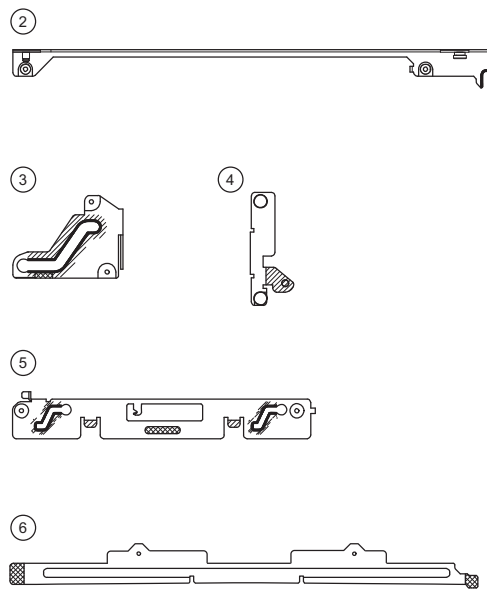
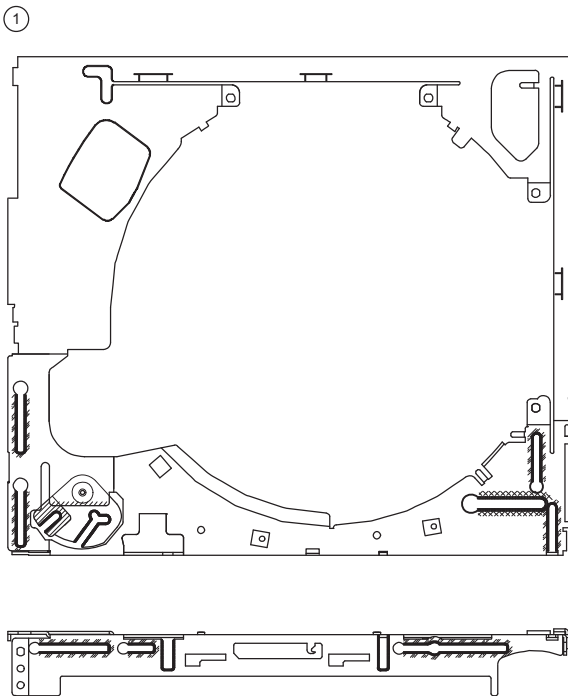
* Do not reuse the following parts.
(No.7,8,10)

NO.	PART NO.	DESCRIPTION	Q'TY
1	966-1761-21	UPPER-CHA-ASSY	1
2	966-1765-20	LO-SHIFT A ASSY	1
3	966-0700-22	LO-SHIFT B ASSY	1
4	966-0701-21	LO-SHIFT ASSY	1
5	966-1766-20	SHUTTER-PL-ASSY	1
6	966-1763-20	SHUTTER ASSY	1
7	HBS-553-200	U-SENSOR-S-ASSY	1
7-1	-----	SENSOR-U-FPC	1
8	347-7272-00	RATTLE SHEET	1
9	750-6755-21	SHUTTER SPRING	1
10	746-0870-00	WASHER	1

[Grease Point]

* Grease: SANKOL FG-87HSR

	Put grease on the surface	
	Put grease on the reverse side	
	Put grease on the both sides	
	Put grease on the edge	



ELECTRICAL PARTS LIST

CD PWB(BM1) section

REF No.	PART No.	DESCRIPTION	REF No.	PART No.	DESCRIPTION	REF No.	PART No.	DESCRIPTION
C1	042-0672-00	25V 47uF TA	C74	168-1042-78	16V 0.1uF	R17	119-4731-15	1/10W 47k ohm
C2	166-1011-50	100pF CH	C75	168-2222-55	2200pF K	R18	119-2231-15	1/10W 22k ohm
C3	168-1042-78	16V 0.1uF	C81	166-1007-50	10pF CH	R19	119-2231-15	1/10W 22k ohm
C4	178-1052-78	1uF	C82	166-1007-50	10pF CH	R20	119-4721-15	1/10W 4.7k ohm
C5	042-0671-01	10V 47uF TA	C83	178-1052-78	1uF	R21	119-4731-15	1/10W 47k ohm
C6	168-1042-78	16V 0.1uF	C85	178-1052-78	1uF	R22	119-4731-15	1/10W 47k ohm
C7	168-1032-55	0.01uF K	C86	166-1201-50	12pF CH	R23	119-4731-15	1/10W 47k ohm
C8	168-1042-78	16V 0.1uF	C87	042-1702-90	6.3V 100uF	R24	050-0145-58	1/16W 2.2k ohm x4
C9	178-1052-78	1uF	C91	168-1032-55	0.01uF K	R25	119-4721-15	1/10W 4.7k ohm
C10	168-1042-78	16V 0.1uF	CCT1	050-0145-59	1/16W 22 ohm x4	R26	119-4721-15	1/10W 4.7k ohm
C11	168-1042-78	16V 0.1uF	CCT2	050-0145-54	1/16W 47k ohm x4	R27	117-7511-15	1/8W 750 ohm
C12	178-1052-78	1uF	CCT3	050-0145-54	1/16W 47k ohm x4	R28	116-3391-15	1/4W 3.3 ohm
C13	178-1052-78	1uF	CCT4	050-0145-55	1/16W 10k ohm x4	R29	032-0145-73	1/2W 6.8 ohm
C14	042-0671-01	10V 47uF TA	D1	001-4301-14	HZU 3.0B1	R30	119-1041-15	1/10W 100k ohm
C15	168-1032-55	0.01uF K	D1	001-0529-14	MA8030-L	R31	119-6811-15	1/10W 680 ohm
C20	178-1052-78	1uF	D2	001-0367-91	1SS226	R32	119-1041-15	1/10W 100k ohm
C21	168-1042-78	16V 0.1uF	D3	001-4301-16	HZU 3.3B1	R33	119-6811-15	1/10W 680 ohm
C22	178-1052-78	1uF	D3	001-0529-16	MA8033-L	R34	119-1041-15	1/10W 100k ohm
C23	168-1042-78	16V 0.1uF	D4	001-4301-18	HZU 3.6B1	R35	117-5611-15	1/8W 560 ohm
C24	042-0671-01	10V 47uF TA	D4	001-0529-18	MA8036-L	R36	119-1041-15	1/10W 100k ohm
C25	168-1042-78	16V 0.1uF	IC1	051-6399-00	TC94A15F	R37	119-1041-15	1/10W 100k ohm
C26	168-1045-56	0.1uF Z	IC2	052-5070-10	TMP91CY22IFG-6HE2	R38	119-3321-15	1/10W 3.3k ohm
C27	168-4732-78	0.047uF K	IC3	051-6711-20	TC94A34FG-004	R39	119-1051-15	1/10W 1M ohm
C28	166-4701-50	47pF CH	IC4	051-6060-08	BD7961FM-E2	R40	119-0000-05	1/10W 0 ohm JW
C29	168-4732-78	0.047uF K	IC5	051-5452-90	BD5235G-TR	R41	119-1041-15	1/10W 100k ohm
C30	166-4711-50	470pF CH	IC6	051-9318-00	GLT4160L04P-60TC	R42	119-5621-15	1/10W 5.6k ohm
C31	168-1532-55	0.015uF K	IC6	051-9318-00	MSM51V17400J-60T	R43	119-4731-15	1/10W 47k ohm
C32	166-4711-50	470pF CH	IC8	051-9402-78	BR93L56RFVM-W	R44	119-2231-15	1/10W 22k ohm
C33	168-1042-78	16V 0.1uF	IC9	051-6072-08	BD7931FE2	R45	119-8231-15	1/10W 82k ohm
C34	168-6822-55	6800pF K	IC10	051-5833-00	GP1S093HCZ	R46	119-3341-15	1/10W 330k ohm
C35	168-1032-55	0.01uF K	IC11	051-3364-90	NJU7771F15	R48	119-2231-15	1/10W 22k ohm
C38	168-3332-78	0.033uF K	IC12	051-3364-90	NJU7771F15	R49	116-1001-15	1/4W 10 ohm
C39	168-4722-55	4700pF K	J1	074-1237-69	19PIN	R50	119-1011-15	1/10W 100 ohm
C40	168-1042-78	16V 0.1uF	J2	074-1201-65	15P	R51	119-6811-15	1/10W 680 ohm
C42	168-1042-78	16V 0.1uF	J3	074-1138-56	6P	R52	117-7511-15	1/8W 750 ohm
C43	168-1532-55	0.015uF K	J4	074-1100-61	SOCKET 11P	R53	116-5611-15	1/4W 560 ohm
C44	168-1042-78	16V 0.1uF	J5	074-1201-61	11P SOCKET	R54	119-1041-15	1/10W 100k ohm
C45	168-1522-55	1500pF K	Q1	060-0252-01	PT4850F	R55	119-1041-15	1/10W 100k ohm
C46	168-1042-78	16V 0.1uF	Q2	125-0021-91	DTA114EUA	R56	119-1041-15	1/10W 100k ohm
C47	166-6811-50	680pF	Q3	198-3018-00	2SK3018	R57	119-1041-15	1/10W 100k ohm
C48	166-6801-50	68pF CH	Q6	131-1188-50	2SB1188PQR	R58	119-1041-15	1/10W 100k ohm
C49	178-1052-78	1uF	Q7	125-2027-91	DTC114EUA	R59	116-1511-15	1/4W 150 ohm
C50	042-0671-01	10V 47uF TA	Q8	131-1427-00	2SB1427	R60	119-4731-15	1/10W 47k ohm
C51	042-0671-01	10V 47uF TA	Q9	131-1188-50	2SB1188PQR	R61	119-4731-15	1/10W 47k ohm
C52	178-1052-78	1uF	Q10	125-2027-91	DTC114EUA	R62	119-1051-15	1/10W 1M ohm
C53	168-1042-78	16V 0.1uF	Q11	125-0021-91	DTA114EUA	R64	032-0140-62	1/10W 1.0k ohm F
C54	178-1052-78	1uF	Q12	125-2027-91	DTC114EUA	R65	119-2211-15	1/10W 220 ohm
C55	178-1052-78	1uF	Q20	131-1427-00	2SB1427	R66	032-0140-53	1/10W 2.2k ohm F
C56	042-0671-01	10V 47uF TA	R1	119-4731-15	1/10W 47k ohm	R71	119-1011-15	1/10W 100 ohm
C57	168-1042-78	16V 0.1uF	R2	119-2211-15	1/10W 220 ohm	R72	119-1011-15	1/10W 100 ohm
C59	168-1042-78	16V 0.1uF	R3	119-2211-15	1/10W 220 ohm	R73	119-1011-15	1/10W 100 ohm
C60	178-1052-78	1uF	R4	119-1041-15	1/10W 100k ohm	R77	119-0000-05	1/10W 0 ohm JW
C61	168-1032-55	0.01uF K	R5	119-4731-15	1/10W 47k ohm	R82	119-1011-15	1/10W 100 ohm
C62	168-1042-78	16V 0.1uF	R6	119-2211-15	1/10W 220 ohm	R83	119-1031-15	1/10W 10k ohm
C63	168-1042-78	16V 0.1uF	R7	119-2211-15	1/10W 220 ohm	R85	119-1021-15	1/10W 1k ohm
C64	168-1042-78	16V 0.1uF	R8	119-2211-15	1/10W 220 ohm	R86	119-2231-15	1/10W 22k ohm
C65	168-1042-78	16V 0.1uF	R10	032-0140-16	1/10W 180k ohm F	S1	013-7416-50	SW SPVL110200
C66	168-1042-78	16V 0.1uF	R11	032-0140-96	1/10W 120k ohm F	S2	013-7416-50	SW SPVL110200
C67	168-1042-78	16V 0.1uF	R12	119-2231-15	1/10W 22k ohm	S3	013-7416-50	SW SPVL110200
C68	168-1042-78	16V 0.1uF	R13	119-4711-15	1/10W 470 ohm	S4	013-7415-50	SPVG110400
C70	168-1042-78	16V 0.1uF	R14	119-2221-15	1/10W 2.2k ohm	X1	061-3534-90	16.92MHz
C71	168-1042-78	16V 0.1uF	R15	119-1031-15	1/10W 10k ohm	X3	060-1545-90	20MHz
C72	168-1042-78	16V 0.1uF	R16	119-0000-05	1/10W 0 ohm JW	PWB	039-2747-21	PWB(WITHOUT COMPONENTS)
C73	178-1052-78	1uF						

Sensor-L-PFC(BM2)

REF No.	PART No.	DESCRIPTION	REF No.	PART No.	DESCRIPTION	REF No.	PART No.	DESCRIPTION
PT1	060-0252-01	PT14850F	PT3	051-5833-00	GP1S093HCZ	PWB	039-2467-21	PWB(WITHOUT COMPONENTS)
PT2	060-0252-01	PT14850F						

Sensor-U-PFC(BM3)

REF No.	PART No.	DESCRIPTION	REF No.	PART No.	DESCRIPTION	REF No.	PART No.	DESCRIPTION
LED1	001-7077-00	GL4804	LED3	001-7077-00	GL4804	PWB	039-2466-20	PWB(WITHOUT COMPONENTS)
LED2	001-7077-00	GL4804	S5	013-7417-50	ABC1122P161			