

PARTS LIST

* New Parts. Δ indicates safety critical components.

Parts without **Parts No.** are not supplied.Les articles non mentionnés dans le **Parts No.** ne sont pas fournis.Teile ohne **Parts No.** werden nicht geliefert.

L : Scandinavia

Y : PX (Far East, Hawaii)

C : China

K : USA

T : England

X : Australia

P : Canada

E : Europe

M : Other Areas

TK-7302/7302(V)/7302H/7302H(V)

DISPLAY UNIT (X54-3670-20), TX-RX UNIT (X57-7680-XX)

Ref. No.	Address	New parts	Parts No.	Description	Destination	Ref. No.	Address	New parts	Parts No.	Description	Destination
TK-7302/7302(V)/7302H/7302H(V)											
1	1B	*	A02-4073-11	PLASTIC CABINET		CN1		*	E40-6851-05	FLAT CABLE CONNECTOR	
2	3A	*	A62-1171-03	PANEL ASSY		CN2		*	E23-1262-05	TERMINAL	
4	2B	*	B09-0732-03	CAP (D-SUB)		J1	3A	*	E58-0535-05	MODULAR JACK	
5	3A	*	B10-2794-03	FRONT GLASS		101	3A	*	J31-0565-15	COLLAR	
6	3A	*	B43-1629-04	BADGE		L1			L92-0138-05	CHIP FERRITE	
7	2D	*	B62-2150-10	INSTRUCTION MANUAL	M, HM	CP1			RK74HB1J102J	CHIP-COM 1.0K J 1/16W	
7	2D	*	B62-2167-10	INSTRUCTION MANUAL	K, HK, HVK	R1			RK73HB1J101J	CHIP R 100 J 1/16W	
9	2B		E04-0167-15	RF COAXIAL RECEPTACLE (M)		R2			RK73FB2B100J	CHIP R 10 J 1/8W	
10	1C		E30-7523-55	DC CORD ASSY ACCESSORY		R3-8			RK73HB1J102J	CHIP R 1.0K J 1/16W	
11	2B	*	E30-7684-05	DC CORD		R10,11			RK73HB1J102J	CHIP R 1.0K J 1/16W	
12	2A	*	E37-1461-05	FLAT CABLE (30P PANEL)		R12			RK73HB1J122J	CHIP R 1.2K J 1/16W	
14	1C		F52-0023-05	FUSE (BLADE TYPE) 10A ACCESSORY	M, K	R21			RK73HB1J222J	CHIP R 2.2K J 1/16W	
14	1C		F52-0024-05	FUSE (BLADE TYPE) 15A ACCESSORY	HM, HK, HVK	R22			RK73HB1J820J	CHIP R 82 J 1/16W	
16	2B		G53-1643-04	PACKING (DC CORD)		R23			RK73HB1J121J	CHIP R 120 J 1/16W	
17	2B		G53-1662-04	PACKING (RECEPTACLE)		R26,27			RK73HB1J000J	CHIP R 0.0 J 1/16W	
18	1B	*	G53-1819-21	PACKING (CHASSIS)		R28,29			RK73HB1J103J	CHIP R 10K J 1/16W	
19	3A	*	G53-1820-03	PACKING (PANEL)		R34			RK73HB1J102J	CHIP R 1.0K J 1/16W	
21	1C,1D		H12-3178-05	PACKING FIXTURE		R35			RK73HB1J223J	CHIP R 22K J 1/16W	
22	2D	*	H52-2310-12	ITEM CARTON CASE		R36			RK73HB1J822J	CHIP R 8.2K J 1/16W	
24	3D		J19-1584-15	HOLDER (MIC HANGER)	K, HK, HVK	R37,38			RK73HB1J100J	CHIP R 10 J 1/16W	
25	3B	*	J19-5528-03	HOLDER (SPEAKER)		R39			RK73HB1J150J	CHIP R 15 J 1/16W	
26	1C		J29-0726-03	BRACKET ACCESSORY		R40			RK73HB1J100J	CHIP R 10 J 1/16W	
28	3A	*	K29-9448-01	KEY TOP		R41			RK73HB1J222J	CHIP R 2.2K J 1/16W	
A	1A,1B		N35-2604-43	BINDING HEAD MACHINE SCREW		R42			RK73HB1J102J	CHIP R 1.0K J 1/16W	
B	1A,2A,2B		N67-3008-48	PAN HEAD SEMS SCREW		D20			DA221	DIODE	
C	3A,3B		N80-2008-48	PAN HEAD TAPTITE SCREW		D33			02DZ6.2F-Y	ZENER DIODE	
D	2A,2B		N87-2608-48	BRAZIER HEAD TAPTITE SCREW		D37	3A	*	HDSP-521A	LED	
30	3D		N99-2039-05	SCREW SET ACCESSORY		IC1		*	TCA62746AFNAG	MOS-IC	
32	3A	*	T07-0785-05	SPEAKER		Q1,2		*	RT1N441U	TRANSISTOR	
33	2C	*	T91-0624-65	MICROPHONE (KMC-30) ACCESSORY	HK	Q3			KRA225S	DIGITAL TRANSISTOR	
34	2C	*	T91-0639-55	MICROPHONE (KMC-35) ACCESSORY	K, HVK	Q4			KRC102S-P	DIGITAL TRANSISTOR	
DISPLAY UNIT (X54-3670-20)						TX-RX UNIT (X57-7680-XX) -11: K -12: HK -16: HVK -20: M -21: HM					
D1-5			B30-2282-05	LED (Y)		C2			CC73HCH1H101J	CHIP C 100PF J	
D22	3A	*	B30-2321-05	LED (BLUE LED)		C4			CC73HCH1H101J	CHIP C 100PF J	
D23	3A		B30-2151-05	LED (RED/GREEN)		C5			CK73HB1H471K	CHIP C 470PF K	
C1			CK73HB1E103K	CHIP C 0.010UF K		C7			CC73HCH1H101J	CHIP C 100PF J	
C8			CC73HCH1H101J	CHIP C 100PF J		C8			CC73GCH1H101J	CHIP C 100PF J	
C9			CK73HB1H102K	CHIP C 1000PF K		C10			CK73HB1A104K	CHIP C 0.10UF K	
C10			CK73HB1E103K	CHIP C 0.010UF K		C11			CC73HCH1H101J	CHIP C 100PF J	
C16			CK73HB1E103K	CHIP C 0.010UF K		C14			CC73HCH1H101J	CHIP C 100PF J	
C27			CC73HCH1H101J	CHIP C 100PF J		C15			CC73HCH1H080B	CHIP C 8.0PF B	
C29-36			CK73HB1H102K	CHIP C 1000PF K		C16			CK73HBOJ105K	CHIP C 1.0UF K	
C38,39			CC73HCH1H101J	CHIP C 100PF J		C17,18			CK73HB1A104K	CHIP C 0.10UF K	
C40			CK73HB1H102K	CHIP C 1000PF K		C19,20			CK73HB1E103K	CHIP C 0.010UF K	
C41,42			CC73HCH1H101J	CHIP C 100PF J		C22			CK73FBOJ106K	CHIP C 10UF K	
C43-46			CK73HB1H471K	CHIP C 470PF K		C23			CK73HB1A104K	CHIP C 0.10UF K	
C47			CK73HB1H102K	CHIP C 1000PF K		C24			CK73FBOJ106K	CHIP C 10UF K	

PARTS LIST

TX-RX UNIT (X57-7680-XX)

Ref. No.	Address	New parts	Parts No.	Description	Desti-nation	Ref. No.	Address	New parts	Parts No.	Description	Desti-nation
C26			CK73HB1C103K	CHIP C 0.010UF K		C314			CC73HCH1H080B	CHIP C 8.0PF B	
C27			CK73HB1A104K	CHIP C 0.10UF K		C315			CK73HB1C223K	CHIP C 0.022UF K	
C32			CK73HB1H471K	CHIP C 470PF K		C316			CC73HCH1H060B	CHIP C 6.0PF B	
C34			CK73HB1H471K	CHIP C 470PF K		C317			CS77AA1A4R7M	CHIP TNL 4.7UF 10WV	
C35			CC73HCH1H060B	CHIP C 6.0PF B		C320			CK73GB1H102K	CHIP C 1000PF K	
C36			CC73GCH1H080B	CHIP C 8.0PF B		C322			CK73GB1H271K	CHIP C 270PF K	
C37			CK73HB1H471K	CHIP C 470PF K		C333			CK73HB1H471K	CHIP C 470PF K	
C40			CC73HCH1H390J	CHIP C 39PF J		C336			CK73GB1H221K	CHIP C 220PF K	
C41			CC73HCH1H330J	CHIP C 33PF J		C338			CC73GCH1H220J	CHIP C 22PF J	
C43			CS77CA1V0R1M	CHIP TNL 0.1UF 35WV		C339			CK73GB1H102K	CHIP C 1000PF K	
C45			CS77BA1E010M	CHIP TNL 1.0UF 25WV		C340,341			CC73GCH1H101J	CHIP C 100PF J	
C46			CK73HB1H102K	CHIP C 1000PF K		C342			CK73HB1A104K	CHIP C 0.10UF K	
C48			C93-0787-05	CERAMIC 0.1UF 50WV		C344			CK73GB1H102K	CHIP C 1000PF K	
C49			C92-0863-05	CHIP TNL 0.047UF 35WV		C348			CC73GCH1H470J	CHIP C 47PF J	
C54			CC73HCH1H470J	CHIP C 47PF J		C350			CC73GCH1H220J	CHIP C 22PF J	
C56			CC73HCH1H101J	CHIP C 100PF J		C351			C93-0559-05	CHIP C 9.0PF D	
C57,58			CK73HB1H102K	CHIP C 1000PF K		C354			CK73HB1A104K	CHIP C 0.10UF K	
C59			CK73FB0J106K	CHIP C 10UF K		C355			CK73GB1H102K	CHIP C 1000PF K	
C61			CC73HCH1H101J	CHIP C 100PF J		C360			CK73GB1H102K	CHIP C 1000PF K	
C62			CC73HCH1H330J	CHIP C 33PF J		C361,362			CK73GB1H103K	CHIP C 0.010UF K	
C63			CC73HCH1H101J	CHIP C 100PF J		C363			CC73GCH1H050B	CHIP C 5.0PF B	
C64			CC73HCH1HR75B	CHIP C 0.75PF B		C364			C93-0561-05	CHIP C 12PF J	
C65,66			CK73HB1H102K	CHIP C 1000PF K		C365,366			C93-0603-05	CHIP C 1000PF K	
C67,68			CK73GB1H102K	CHIP C 1000PF K		C367			CC73GCH1H020B	CHIP C 2.0PF B	
C69			CC73HCH1H3R5B	CHIP C 3.5PF B		C368			CC73GCH1H430J	CHIP C 43PF J	
C70			CC73HCH1H050B	CHIP C 5.0PF B		C372			C93-0562-05	CHIP C 15PF J	
C71,72			CK73GB1H102K	CHIP C 1000PF K		C373			C93-0552-05	CHIP C 2.0PF C	
C73			CC73HCH1H060B	CHIP C 6.0PF B		C374			CM73F2H200J	CHIP C 20PF J	
C74			CC73HCH1H080B	CHIP C 8.0PF B		C376			CK73GB1H102K	CHIP C 1000PF K	
C75			CC73HCH1H040B	CHIP C 4.0PF B		C381			C93-0554-05	CHIP C 4.0PF C	
C76			CC73HCH1H060B	CHIP C 6.0PF B		C383			C93-0562-05	CHIP C 15PF J	
C77			CK73HB1H471K	CHIP C 470PF K		C384			CK73GB1H102K	CHIP C 1000PF K	
C78,79			CC73HCH1H010B	CHIP C 1.0PF B		C391,392			CK73HB1H102K	CHIP C 1000PF K	
C80		*	CS77BB21C100M	CHIP TNL 10U 16WV		C500			CC73HCH1H470J	CHIP C 47PF J	
C81			CK73HB1H102K	CHIP C 1000PF K		C501			CC73HCH1H180J	CHIP C 18PF J	
C82			CK73HB1H471K	CHIP C 470PF K		C504			CK73HB1C103K	CHIP C 0.010UF K	
C83			CK73HB1H102K	CHIP C 1000PF K		C505			CC73HCH1H300J	CHIP C 30PF J	
C84			CC73HCH1H180J	CHIP C 18PF J		C506			CC73HCH1H100B	CHIP C 10PF B	
C85			CC73HCH1H050B	CHIP C 5.0PF B		C508			CC73HCH1H270J	CHIP C 27PF J	
C86			CC73GCH1H050B	CHIP C 5.0PF B		C509			CK73HB1C103K	CHIP C 0.010UF K	
C87-89			CK73HB1H102K	CHIP C 1000PF K		C510-515			CK73HB1A104K	CHIP C 0.10UF K	
C90			CC73GCH1H150J	CHIP C 15PF J		C516			CK73HB1H102K	CHIP C 1000PF K	
C91			CK73HB1H102K	CHIP C 1000PF K		C517			CK73HB1E103K	CHIP C 0.010UF K	
C92			CK73HB1C103K	CHIP C 0.010UF K		C518			CK73HB1H331K	CHIP C 330PF K	
C94			CK73HB1H102K	CHIP C 1000PF K		C519			CK73FB0J106K	CHIP C 10UF K	
C95			CK73HB1A104K	CHIP C 0.10UF K		C520			CK73HB1H331K	CHIP C 330PF K	
C98			CK73GB1H102K	CHIP C 1000PF K		C521,522			CK73HB1A104K	CHIP C 0.10UF K	
C99			CK73HB1H471K	CHIP C 470PF K		C523			CK73GB1C104K	CHIP C 0.10UF K	
C102			CC73HCH1H270J	CHIP C 27PF J		C524			CK73HB1H102K	CHIP C 1000PF K	
C103			CC73HCH1H390J	CHIP C 39PF J		C525			CK73GB0J475K	CHIP C 4.7UF K	
C104			CC73HCH1H060B	CHIP C 6.0PF B		C526			CK73HB1H102K	CHIP C 1000PF K	
C105			CC73HCH1H040B	CHIP C 4.0PF B		C527			CC73HCH1H680J	CHIP C 68PF J	
C106			CC73HCH1H470J	CHIP C 47PF J		C528			CC73GCH1H330J	CHIP C 33PF J	
C300			CC73GCH1H101J	CHIP C 100PF J		C529			CK73HB1E103K	CHIP C 0.010UF K	
C301			CC73HCH1H080B	CHIP C 8.0PF B		C530			CK73HB1A104K	CHIP C 0.10UF K	
C302			CC73HCH1H070B	CHIP C 7.0PF B		C531			CK73HB1H471K	CHIP C 470PF K	
C303			CC73HCH1H090B	CHIP C 9.0PF B		C535			CK73HB1H102K	CHIP C 1000PF K	
C305			CK73HB1H471K	CHIP C 470PF K		C538			CK73HB1E103K	CHIP C 0.010UF K	
C307			CK73HB1H102K	CHIP C 1000PF K		C541			CK73HB1E103K	CHIP C 0.010UF K	
C313			CK73HB1H102K	CHIP C 1000PF K		C543			CC73HCH1H010B	CHIP C 1.0PF B	

K : TK-7302(V)K HK : TK-7302HK HVK : TK-7302H(V)K
M : TK-7302M HM : TK-7302HM

PARTS LIST

TX-RX UNIT (X57-7680-XX)

Ref. No.	Address	New parts	Parts No.	Description	Destination	Ref. No.	Address	New parts	Parts No.	Description	Destination
C545			CC73HCH1H180J	CHIP C 18PF J		C736			CK73GB0J475K	CHIP C 4.7UF K	
C546			CC73HCH1H070B	CHIP C 7.0PF B		C739			CK73GB1C104K	CHIP C 0.10UF K	
C550			CK73HB1E103K	CHIP C 0.010UF K		C740			CK73HB1A104K	CHIP C 0.10UF K	
C551			CK73GB1A334K	CHIP C 0.33UF K		C743			CK73HB1C333K	CHIP C 0.033UF K	
C553			CK73HB1A104K	CHIP C 0.10UF K		C744			CK73HB1H471K	CHIP C 470PF K	
C554			CC73HCH1H080B	CHIP C 8.0PF B		C745			CK73HB1A473J	CHIP C 0.047UF J	
C555			CK73HB1H102K	CHIP C 1000PF K		C746			CK73FB0J106K	CHIP C 10UF K	
C556			CC73HCH1H150G	CHIP C 15PF G		C747			CK73HB1A104K	CHIP C 0.10UF K	
C557			CK73HB1E103K	CHIP C 0.010UF K		C748			CC73HCH1H390J	CHIP C 39PF J	
C558			CK73HB1H102K	CHIP C 1000PF K		C749,750			CK73HB1A104K	CHIP C 0.10UF K	
C559			CK73GB1H471K	CHIP C 470PF K		C753			CK73GB0J106K	CHIP C 10UF K	
C560			CK73HB1H102K	CHIP C 1000PF K		C754,755			CK73HB1A104K	CHIP C 0.10UF K	
C561			CK73HB1H471K	CHIP C 470PF K		C756			CC73HCH1H391J	CHIP C 390PF J	
C562			CK73HB1E103K	CHIP C 0.010UF K		C758			CK73HB1H471K	CHIP C 470PF K	
C563,564			CK73HB1H102K	CHIP C 1000PF K		C760			CK73HB0J105K	CHIP C 1.0UF K	
C565			CK73HB1H471K	CHIP C 470PF K		C762,763			CK73HB1A104K	CHIP C 0.10UF K	
C573			CC73HCH1H010B	CHIP C 1.0PF B		C764			CK73HB1E103K	CHIP C 0.010UF K	
C574			CC73HCH1H560J	CHIP C 56PF J		C765			CK73GB0J106K	CHIP C 10UF K	
C575			CC73HCH1H040B	CHIP C 4.0PF B		C767			CK73GB1C104K	CHIP C 0.10UF K	
C576			CK73HB1H102K	CHIP C 1000PF K		C768			CK73GB1H471K	CHIP C 470PF K	
C577			CC73HCH1H010B	CHIP C 1.0PF B		C769			CK73HB0J105K	CHIP C 1.0UF K	
C578			CC73HCH1H560J	CHIP C 56PF J		C770			CK73FB0J106K	CHIP C 10UF K	
C581			CC73HCH1H1R5B	CHIP C 1.5PF B		C771			CC73HCH1H101J	CHIP C 100PF J	
C582			CK73HB1H102K	CHIP C 1000PF K		C772			CK73HB0J105K	CHIP C 1.0UF K	
C583			CK73HB1H471K	CHIP C 470PF K		C773			CC73HCH1H101J	CHIP C 100PF J	
C585			CK73HB1A104K	CHIP C 0.10UF K		C774			CK73HB0J105K	CHIP C 1.0UF K	
C586			CK73HB1H102K	CHIP C 1000PF K		C775			CC73HCH1H391J	CHIP C 390PF J	
C587			CK73GB1A105K	CHIP C 1.0UF K		C777			CK73HB0J105K	CHIP C 1.0UF K	
C588			CK73HB1H102K	CHIP C 1000PF K		C778			CK73HB1E562K	CHIP C 5600PF K	
C589			CK73HB1H471K	CHIP C 470PF K		C779			CK73HB1E103K	CHIP C 0.010UF K	
C590			CK73HB1H102K	CHIP C 1000PF K		C780			CK73HB1A683K	CHIP C 0.068UF K	
C591			CK73HB1H471K	CHIP C 470PF K		C784			CK73GB0J106K	CHIP C 10UF K	
C592			CK73GB1A105K	CHIP C 1.0UF K		C785			CK73HB1H332K	CHIP C 3300PF K	
C593			CC73HCH1H030B	CHIP C 3.0PF B		C787			CK73HB1H332K	CHIP C 3300PF K	
C594			CC73HCH1H560J	CHIP C 56PF J		C788			CK73HB1A683K	CHIP C 0.068UF K	
C595			CC73HCH1H030B	CHIP C 3.0PF B		C790			CK73GB1H102K	CHIP C 1000PF K	
C596			CK73HB1H102K	CHIP C 1000PF K		C792-794			CK73HB1H471K	CHIP C 470PF K	
C597			CC73HCH1H030B	CHIP C 3.0PF B		C792,793			CK73HB1H102K	CHIP C 1000PF K	
C598			CC73HCH1H560J	CHIP C 56PF J		C795			CK73GB1H102K	CHIP C 1000PF K	
C599			CC73HCH1H020B	CHIP C 2.0PF B		C796			CK73HB0J105K	CHIP C 1.0UF K	
C601			CC73HCH1H040B	CHIP C 4.0PF B		C797			CK73HB1H102K	CHIP C 1000PF K	
C602			CC73HCH1H070B	CHIP C 7.0PF B		C807			CK73HB1H102K	CHIP C 1000PF K	
C603			CC73HCH1H180J	CHIP C 18PF J		C808			CK73HB1A104K	CHIP C 0.10UF K	
C606			CK73HB1H471K	CHIP C 470PF K		C809			CK73GB1C104K	CHIP C 0.10UF K	
C700-709			CK73HB1H471K	CHIP C 470PF K		C810			CK73GB1H102K	CHIP C 1000PF K	
C704			CK73HB1H102K	CHIP C 1000PF K		C813,814			CK73HB1H102K	CHIP C 1000PF K	
C706			CK73HB1H102K	CHIP C 1000PF K		C816			CK73HB1A104K	CHIP C 0.10UF K	
C708			CK73HB1H102K	CHIP C 1000PF K		C817			CK73HB1E103K	CHIP C 0.010UF K	
C711			CK73HB1H471K	CHIP C 470PF K		C819			CS77AB21C220M	CHIP TNL 22UF 16WV	
C713			CK73HB1H471K	CHIP C 470PF K		C820			CK73HB1H102K	CHIP C 1000PF K	
C715			CK73HB1H471K	CHIP C 470PF K		C821			CK73GB1A105K	CHIP C 1.0UF K	
C717			CK73HB1H471K	CHIP C 470PF K		C822			CK73HB0J105K	CHIP C 1.0UF K	
C719			CK73HB1H471K	CHIP C 470PF K		C824			CS77AB21C220M	CHIP TNL 22UF 16WV	
C721			CK73HB1H471K	CHIP C 470PF K		C825			CK73HB1A104K	CHIP C 0.10UF K	
C723			CK73HB1H471K	CHIP C 470PF K		C828,829			CK73HB1A104K	CHIP C 0.10UF K	
C725			CK73HB1H471K	CHIP C 470PF K		C831			CK73HB1A104K	CHIP C 0.10UF K	
C727			CK73HB1H471K	CHIP C 470PF K		C832			CK73GB1A224K	CHIP C 0.22UF K	
C729			CK73HB1H471K	CHIP C 470PF K		C833			CK73HB1H102K	CHIP C 1000PF K	
C731,732			CK73HB1H471K	CHIP C 470PF K		C835			CK73GB1H102K	CHIP C 1000PF K	
C735			CK73HB1A104K	CHIP C 0.10UF K		C837,838			CK73HB1H102K	CHIP C 1000PF K	

PARTS LIST

TX-RX UNIT (X57-7680-XX)

Ref. No.	Address	New parts	Parts No.	Description	Desti-nation	Ref. No.	Address	New parts	Parts No.	Description	Desti-nation
C839			CS77AB21C4R7M	CHIP TNTL 4.7UF 16WV		C930			CK73HB1A104K	CHIP C 0.10UF K	
C840			CK73GB1H102K	CHIP C 1000PF K		C931			CK73HB1H102K	CHIP C 1000PF K	
C841			CK73GB1A105K	CHIP C 1.0UF K		C932			CK73HB1A104K	CHIP C 0.10UF K	
C842			CS77AA1A100M	CHIP TNTL 10UF 10WV		C933			CK73HB1H102K	CHIP C 1000PF K	
C843			C92-0873-05	ELECTRO 47UF 16WV		C933			CK73HB1H471K	CHIP C 470PF K	
C844			CK73HB1H102K	CHIP C 1000PF K		C934			CC73HCH1H3R5B	CHIP C 3.5PF B	
C845			CK73HB1E103K	CHIP C 0.010UF K		C935			CK73HB1H102K	CHIP C 1000PF K	
C846			CK73GB1H102K	CHIP C 1000PF K		C937			CK73HB1E103K	CHIP C 0.010UF K	
C847			CK73HB1H102K	CHIP C 1000PF K		C938			CK73HB1H471K	CHIP C 470PF K	
C849		*	CE32BD1C471M	CHIP EL 470UF 16WV		C939			CK73HB1A104K	CHIP C 0.10UF K	
C850			CK73GB1H102K	CHIP C 1000PF K		C940			CK73FB0J106K	CHIP C 10UF K	
C851			CK73GB1A105K	CHIP C 1.0UF K		C941			CK73HB1H471K	CHIP C 470PF K	
C852			CK73HB1E103K	CHIP C 0.010UF K		C942			CC73HCH1H120J	CHIP C 12PF J	
C853,854			CK73HB1H102K	CHIP C 1000PF K		C945			CK73GB1H471K	CHIP C 470PF K	
C855			CK73GB1H102K	CHIP C 1000PF K		C946			CC73GCH1H240J	CHIP C 24PF J	
C856			CK73HB1A104K	CHIP C 0.10UF K		C947			CK73HB1H102K	CHIP C 1000PF K	
C857			CC73HCH1H220J	CHIP C 22PF J		C947			CK73HB1H471K	CHIP C 470PF K	
C858			CK73GB1H221K	CHIP C 220PF K		C948			CK73GB0J106K	CHIP C 10UF K	
C859			CC73HCH1H470J	CHIP C 47PF J		C949			CC73HCH1H120J	CHIP C 12PF J	
C860			CC73HCH1H101J	CHIP C 100PF J		C950			CC73HCH1H101J	CHIP C 100PF J	
C861			CK73GB1H471K	CHIP C 470PF K		C952			CC73GCH1H220J	CHIP C 22PF J	
C862			CK73HB1H102K	CHIP C 1000PF K		C953			CK73FB1E225K	CHIP C 2.2UF K	
C863			CC73HCH1H220J	CHIP C 22PF J		C954-956			CK73HB1H102K	CHIP C 1000PF K	
C864			CC73GCH1H470J	CHIP C 47PF J		C956			CK73HB1H471K	CHIP C 470PF K	
C865			CC73HCH1H220J	CHIP C 22PF J		C957			CK73EB1E106K	CHIP C 10UF K	
C866			CK73GB1H102K	CHIP C 1000PF K		C958			CK73HB0J105K	CHIP C 1.0UF K	
C867			CK73GB1H471K	CHIP C 470PF K		CN702			E40-5932-05	SOCKET FOR PIN ASSY	
C868			CK73HB1A334K	CHIP C 0.33UF K		CN724		*	E40-6847-05	FLAT CABLE CONNECTOR	
C869			CK73GB1H221K	CHIP C 220PF K		CN751			E23-1262-05	TERMINAL	
C870			CK73HB1H102K	CHIP C 1000PF K		J700	1B	*	E58-0536-05	SUB SOCKET (D)	
C874			CK73GB0J105K	CHIP C 1.0UF K		J701	2A		E11-0425-05	3.5D PHONE JACK (3P)	
C875-877			CK73HB0J105K	CHIP C 1.0UF K		F700			F53-0327-05	FUSE (4A)	
C878			CC73HCH1H150J	CHIP C 15PF J		CD500			L79-1866-05	TUNING COIL	
C879			CC73HCH1H220J	CHIP C 22PF J		CF500			L72-0993-05	CERAMIC FILTER	
C880			CK73HB1H102K	CHIP C 1000PF K		CF501			L72-0959-05	CERAMIC FILTER	
C881			CK73HB0J105K	CHIP C 1.0UF K		L2			L41-4791-08	SMALL FIXED INDUCTOR (4.7NH)	
C882			CK73GB1A105K	CHIP C 1.0UF K		L3			L92-0442-05	CHIP FERRITE	
C883			CK73HB1A224K	CHIP C 0.22UF K		L4			L92-0443-05	CHIP FERRITE	
C884		*	CE32BD1C471M	CHIP EL 470UF 16WV		L7			L92-0163-05	BEADS CORE	
C885,886			CK73GB1H102K	CHIP C 1000PF K		L9			L92-0163-05	BEADS CORE	
C887			CK73HB1H102K	CHIP C 1000PF K		L17			L92-0443-05	CHIP FERRITE	
C887			CK73HB1H471K	CHIP C 470PF K		L18			L41-1585-14	SMALL FIXED INDUCTOR (150NH)	
C889			CK73HB1H102K	CHIP C 1000PF K		L19		*	L41-1288-14	SMALL FIXED INDUCTOR (120NH)	
C889-891			CK73HB1H471K	CHIP C 470PF K		L20,21			L40-2702-86	SMALL FIXED INDUCTOR (27UH)	
C894			C93-0552-05	CHIP C 2.0PF C		L24			L92-0443-05	CHIP FERRITE	
C898			CK73HB1H102K	CHIP C 1000PF K		L25,26			L40-1085-71	SMALL FIXED INDUCTOR (100NH)	
C898			CK73HB1H471K	CHIP C 470PF K		L27			L40-1075-71	SMALL FIXED INDUCTOR (10NH)	
C915			CK73HB1H102K	CHIP C 1000PF K		L28			L40-2275-71	SMALL FIXED INDUCTOR (22NH)	
C915			CK73HB1H471K	CHIP C 470PF K		L29			L40-1001-86	SMALL FIXED INDUCTOR (10UH)	
C917			CC73HCH1H200J	CHIP C 20PF J		L30			L40-4791-86	SMALL FIXED INDUCTOR (4.7UH)	
C918			CC73HCH1H121J	CHIP C 120PF J		L31,32			L40-1891-86	SMALL FIXED INDUCTOR (1.8UH)	
C919			CC73HCH1H150J	CHIP C 15PF J		L33			L40-1001-86	SMALL FIXED INDUCTOR (10UH)	
C920			CK73HB1E103K	CHIP C 0.010UF K		L34			L40-2702-86	SMALL FIXED INDUCTOR (27UH)	
C921			CK73GB1A105K	CHIP C 1.0UF K		L35			L40-4791-86	SMALL FIXED INDUCTOR (4.7UH)	
C922			CK73HB1H102K	CHIP C 1000PF K		L36			L40-1891-86	SMALL FIXED INDUCTOR (1.8UH)	
C923			CK73HB1A104K	CHIP C 0.10UF K		L37			L40-2702-86	SMALL FIXED INDUCTOR (27UH)	
C924,925			CK73HB0J105K	CHIP C 1.0UF K		L38			L40-1891-86	SMALL FIXED INDUCTOR (1.8UH)	
C926,927			CK73HB1H102K	CHIP C 1000PF K		L39			L40-6875-71	SMALL FIXED INDUCTOR (68NH)	
C928			CK73HB1A104K	CHIP C 0.10UF K							
C929			CK73HB1H102K	CHIP C 1000PF K							

K : TK-7302(V)K HK : TK-7302HK HVK : TK-7302H(V)K

M : TK-7302M HM : TK-7302HM

PARTS LIST

TX-RX UNIT (X57-7680-XX)

Ref. No.	Address	New parts	Parts No.	Description	Destination	Ref. No.	Address	New parts	Parts No.	Description	Destination
L300			L40-1875-71	SMALL FIXED INDUCTOR (18NH)		R49			RK73HB1J472J	CHIP R 4.7K J 1/16W	
L301			L40-1075-71	SMALL FIXED INDUCTOR (10NH)		R50			RK73HB1J271J	CHIP R 270 J 1/16W	
L302			L40-2275-92	SMALL FIXED INDUCTOR (22NH)		R51			RK73HB1J121J	CHIP R 120 J 1/16W	
L303			L40-1275-92	SMALL FIXED INDUCTOR (12NH)		R52			RK73HB1J102J	CHIP R 1.0K J 1/16W	
L304			L40-1575-92	SMALL FIXED INDUCTOR (15NH)		R53			RK73HB1J273J	CHIP R 27K J 1/16W	
L305			L40-1285-92	SMALL FIXED INDUCTOR (120NH)		R54			RK73HB1J000J	CHIP R 0.0 J 1/16W	
L308-310			L92-0179-05	CHIP FERRITE		R55			RK73HB1J101J	CHIP R 100 J 1/16W	
L311			L34-1039-05	AIR-CORE COIL		R56			RK73HB1J103J	CHIP R 10K J 1/16W	
L312		*	L34-4902-05	AIR-CORE COIL		R57			RK73HB1J822J	CHIP R 8.2K J 1/16W	
L313-315		*	L34-4903-05	AIR-CORE COIL		R58-60			RK73HB1J101J	CHIP R 100 J 1/16W	
L316		*	L34-4902-05	AIR-CORE COIL		R61			RK73HB1J000J	CHIP R 0.0 J 1/16W	
L501			L40-4781-86	SMALL FIXED INDUCTOR (0.47UH)		R62			RK73HB1J222J	CHIP R 2.2K J 1/16W	
L503			L40-5681-86	SMALL FIXED INDUCTOR (0.56UH)		R63			RK73HB1J472J	CHIP R 4.7K J 1/16W	
L504			L40-2775-71	SMALL FIXED INDUCTOR (27NH)		R64			RK73GB2A472J	CHIP R 4.7K J 1/10W	
L505,506			L41-4785-39	SMALL FIXED INDUCTOR (0.47UH)		R65			RK73HB1J103J	CHIP R 10K J 1/16W	
L512			L41-5678-14	SMALL FIXED INDUCTOR (56NH)		R68,69			RK73HB1J000J	CHIP R 0.0 J 1/16W	
L514		*	L41-6878-45	SMALL FIXED INDUCTOR (68NH)		R73			RK73HB1J000J	CHIP R 0.0 J 1/16W	
L515			L40-2275-92	SMALL FIXED INDUCTOR (22NH)		R74			RK73HB1J560J	CHIP R 56 J 1/16W	
L517,518			L41-5678-14	SMALL FIXED INDUCTOR (56NH)		R75-78			RK73HB1J000J	CHIP R 0.0 J 1/16W	
L700			L92-0443-05	CHIP FERRITE		R79,80			RK73HB1J153J	CHIP R 15K J 1/16W	
L702			L92-0443-05	CHIP FERRITE		R82			RK73HB1J153J	CHIP R 15K J 1/16W	
L704			L40-2775-71	SMALL FIXED INDUCTOR (27NH)		R83			RK73FB2B102J	CHIP R 1.0K J 1/8W	
L706			L40-2275-71	SMALL FIXED INDUCTOR (22NH)		R303			RK73HB1J472J	CHIP R 4.7K J 1/16W	
L707			L40-6875-57	SMALL FIXED INDUCTOR (68.0NH)		R306			RK73HB1J223J	CHIP R 22K J 1/16W	
L708			L40-6875-92	SMALL FIXED INDUCTOR (68NH)		R321			RK73GB2A151J	CHIP R 150 J 1/10W	
X1		*	L77-3055-05	TCXO (19.2MHZ)		R323			RK73GB2A390J	CHIP R 39 J 1/10W	
XF500		*	L71-0659-05	MCF (38.85MHZ)		R324			RK73GB2A000J	CHIP R 0.0 J 1/10W	
CP700-702			RK75HA1J102J	CHIP-COM 1.0K J 1/16W		R325			RK73GB2A151J	CHIP R 150 J 1/10W	
CP704-706			RK75HA1J102J	CHIP-COM 1.0K J 1/16W		R327			RK73HB1J101J	CHIP R 100 J 1/16W	
R3			RK73HB1J334J	CHIP R 330K J 1/16W		R329			RK73GB2A470J	CHIP R 47 J 1/10W	
R5-7			RK73HB1J102J	CHIP R 1.0K J 1/16W		R330			RK73HB1J000J	CHIP R 0.0 J 1/16W	
R8			RK73HB1J152J	CHIP R 1.5K J 1/16W		R331			RK73HB1J154J	CHIP R 150K J 1/16W	
R10			RK73HB1J100J	CHIP R 10 J 1/16W		R333,334			RK73HB1J103J	CHIP R 10K J 1/16W	
R12			RK73HB1J100J	CHIP R 10 J 1/16W		R336			RK73HB1J000J	CHIP R 0.0 J 1/16W	
R15			RK73HB1J473J	CHIP R 47K J 1/16W		R338			RK73HB1J153J	CHIP R 15K J 1/16W	MK
R16			RK73HB1J000J	CHIP R 0.0 J 1/16W		R338			RK73HB1J223J	CHIP R 22K J 1/16W	HM,HK,HVK
R20			RK73HB1J102J	CHIP R 1.0K J 1/16W		R341			RK73HB1J000J	CHIP R 0.0 J 1/16W	
R21			RK73HB1J000J	CHIP R 0.0 J 1/16W		R342			RK73HB1J104J	CHIP R 100K J 1/16W	
R23			RK73HB1J223J	CHIP R 22K J 1/16W		R343			RK73HB1J000J	CHIP R 0.0 J 1/16W	
R25			RK73HB1J000J	CHIP R 0.0 J 1/16W		R345			RK73HB1J104J	CHIP R 100K J 1/16W	
R26			RK73HB1J153J	CHIP R 15K J 1/16W		R346			RK73HB1J473J	CHIP R 47K J 1/16W	
R28			RK73HB1J000J	CHIP R 0.0 J 1/16W		R347			RK73GH2A101D	CHIP R 100 D 1/10W	
R29			RK73HB1J181J	CHIP R 180 J 1/16W		R348			RK73HB1J104J	CHIP R 100K J 1/16W	
R30			RK73HB1J102J	CHIP R 1.0K J 1/16W		R349			RK73HB1J000J	CHIP R 0.0 J 1/16W	
R31			RK73HB1J105J	CHIP R 1.0M J 1/16W		R352			RK73GH2A680D	CHIP R 68 D 1/10W	
R32,33			RK73HB1J000J	CHIP R 0.0 J 1/16W		R353			RK73RB2H101J	CHIP R 100 J 1/2W	
R34			RK73HB1J222J	CHIP R 2.2K J 1/16W		R354,355			RK73GB2A000J	CHIP R 0.0 J 1/10W	
R35			RK73HB1J102J	CHIP R 1.0K J 1/16W		R357,358			RK73GB2A000J	CHIP R 0.0 J 1/10W	
R36			RK73HB1J273J	CHIP R 27K J 1/16W		R361			RK73GH2A121D	CHIP R 120 D 1/10W	
R37			RK73HB1J103J	CHIP R 10K J 1/16W		R367			RK73GH2A181D	CHIP R 180 D 1/10W	
R38			RK73HB1J000J	CHIP R 0.0 J 1/16W		R369,370			RK73HB1J104J	CHIP R 100K J 1/16W	
R39			RK73HB1J104J	CHIP R 100K J 1/16W		R374	2B		R92-1061-05	JUMPER REST 0 OHM	
R40			RK73HB1J000J	CHIP R 0.0 J 1/16W		R375			RK73HB1J104J	CHIP R 100K J 1/16W	
R41			RK73HB1J393J	CHIP R 39K J 1/16W		R376			RK73HB1J103J	CHIP R 10K J 1/16W	
R43			RK73HB1J104J	CHIP R 100K J 1/16W		R381			RK73GB2A102J	CHIP R 1.0K J 1/10W	
R45			RK73HB1J473J	CHIP R 47K J 1/16W		R382-384			RK73HB1J000J	CHIP R 0.0 J 1/16W	
R46			RK73HB1J101J	CHIP R 100 J 1/16W		R387,388			RK73HB1J104J	CHIP R 100K J 1/16W	
R47			RK73HB1J471J	CHIP R 470 J 1/16W		R500			RK73HB1J122J	CHIP R 1.2K J 1/16W	
R48			RK73GB2A104J	CHIP R 100K J 1/10W		R501			RK73HB1J334J	CHIP R 330K J 1/16W	
						R502			RK73HB1J101J	CHIP R 100 J 1/16W	

PARTS LIST

TX-RX UNIT (X57-7680-XX)

Ref. No.	Address	New parts	Parts No.	Description	Desti-nation	Ref. No.	Address	New parts	Parts No.	Description	Desti-nation
R503-508			RK73HB1J103J	CHIP R 10K J 1/16W		R718			RK73HB1J104J	CHIP R 100K J 1/16W	
R509			RK73GB2A100J	CHIP R 10 J 1/10W		R719			RK73HB1J000J	CHIP R 0.0 J 1/16W	
R510			RK73HB1J222J	CHIP R 2.2K J 1/16W		R720			RK73HB1J101J	CHIP R 100 J 1/16W	
R511			RK73HB1J823J	CHIP R 82K J 1/16W		R722			RK73HB1J222J	CHIP R 2.2K J 1/16W	
R512			RK73HB1J272J	CHIP R 2.7K J 1/16W		R723			RK73HB1J334J	CHIP R 330K J 1/16W	
R513			RK73HB1J104J	CHIP R 100K J 1/16W		R724			RK73HB1J000J	CHIP R 0.0 J 1/16W	
R515			RK73GB2A472J	CHIP R 4.7K J 1/10W		R725,726			RK73HB1J473D	CHIP R 47K D 1/16W	
R517			RK73HB1J000J	CHIP R 0.0 J 1/16W		R727			RK73HB1J473J	CHIP R 47K J 1/16W	
R519			RK73HB1J332J	CHIP R 3.3K J 1/16W		R728-730			RK73HB1J000J	CHIP R 0.0 J 1/16W	
R520			RK73HB1J272J	CHIP R 2.7K J 1/16W		R731			RK73HB1J104J	CHIP R 100K J 1/16W	
R522			RK73HB1J000J	CHIP R 0.0 J 1/16W		R732			RK73HB1J102J	CHIP R 1.0K J 1/16W	
R524			RK73HB1J101J	CHIP R 100 J 1/16W		R733			RK73HB1J103J	CHIP R 10K J 1/16W	
R525			RK73HB1J000J	CHIP R 0.0 J 1/16W		R734,735			RK73HB1J102J	CHIP R 1.0K J 1/16W	
R527			RK73HB1J224J	CHIP R 220K J 1/16W		R736			RK73GB2A000J	CHIP R 0.0 J 1/10W	
R528			RK73HB1J000J	CHIP R 0.0 J 1/16W		R737			RK73HB1J273J	CHIP R 27K J 1/16W	
R530			RK73HB1J391J	CHIP R 390 J 1/16W		R738			RK73HB1J562J	CHIP R 5.6K J 1/16W	
R531			RK73HB1J000J	CHIP R 0.0 J 1/16W		R739			RK73HB1J000J	CHIP R 0.0 J 1/16W	
R533			RK73HB1J000J	CHIP R 0.0 J 1/16W		R741			RK73HB1J563J	CHIP R 56K J 1/16W	
R534			RK73HB1J331J	CHIP R 330 J 1/16W		R742			RK73HB1J000J	CHIP R 0.0 J 1/16W	
R537			RK73HB1J563J	CHIP R 56K J 1/16W		R743			RK73HB1J104J	CHIP R 100K J 1/16W	
R539			RK73HB1J470J	CHIP R 47 J 1/16W		R747			RK73HB1J000J	CHIP R 0.0 J 1/16W	
R541			RK73HB1J332J	CHIP R 3.3K J 1/16W		R748			RK73HB1J104J	CHIP R 100K J 1/16W	
R543,544			RK73HB1J823J	CHIP R 82K J 1/16W		R749			RK73GB2A000J	CHIP R 0.0 J 1/10W	
R545			RK73HB1J224J	CHIP R 220K J 1/16W		R751			RK73HB1J104J	CHIP R 100K J 1/16W	
R546			RK73HB1J684J	CHIP R 680K J 1/16W		R752			RK73HB1J101J	CHIP R 100 J 1/16W	
R547			RK73HB1J151J	CHIP R 150 J 1/16W		R753			RK73GB2A104J	CHIP R 100K J 1/10W	
R548			RK73HB1J394J	CHIP R 390K J 1/16W		R754			RK73HB1J104J	CHIP R 100K J 1/16W	
R549			RK73HB1J154J	CHIP R 150K J 1/16W		R755			RK73HB1J101J	CHIP R 100 J 1/16W	
R550			RK73HB1J330J	CHIP R 33 J 1/16W		R756			RK73HB1J104J	CHIP R 100K J 1/16W	
R553			RK73HB1J000J	CHIP R 0.0 J 1/16W		R758			RK73HB1J000J	CHIP R 0.0 J 1/16W	
R560			RK73HB1J000J	CHIP R 0.0 J 1/16W		R759			RK73HB1J154J	CHIP R 150K J 1/16W	
R561			RK73HB1J102J	CHIP R 1.0K J 1/16W		R760			RK73HB1J104J	CHIP R 100K J 1/16W	
R562			RK73HB1J820J	CHIP R 82 J 1/16W		R761			RK73HB1J101J	CHIP R 100 J 1/16W	
R563			RK73HB1J000J	CHIP R 0.0 J 1/16W		R762			RK73HB1J104J	CHIP R 100K J 1/16W	
R564			RK73HB1J223J	CHIP R 22K J 1/16W		R763			RK73HB1J101J	CHIP R 100 J 1/16W	
R565			RK73HB1J221J	CHIP R 220 J 1/16W		R764			RK73HB1J682J	CHIP R 6.8K J 1/16W	
R566			RK73HB1J104J	CHIP R 100K J 1/16W		R765			RK73HB1J000J	CHIP R 0.0 J 1/16W	
R567			RK73HB1J564J	CHIP R 560K J 1/16W		R766			RK73HB1J682J	CHIP R 6.8K J 1/16W	
R568			RK73HB1J223J	CHIP R 22K J 1/16W		R767			RK73HB1J393J	CHIP R 39K J 1/16W	
R569			RK73HB1J104J	CHIP R 100K J 1/16W		R770			RK73GB2A000J	CHIP R 0.0 J 1/10W	
R570			RK73HB1J683J	CHIP R 68K J 1/16W		R771			RK73HB1J000J	CHIP R 0.0 J 1/16W	
R572			RK73HB1J000J	CHIP R 0.0 J 1/16W		R773			RK73HB1J472J	CHIP R 4.7K J 1/16W	
R573,574			RK73HB1J223J	CHIP R 22K J 1/16W		R774			RK73HB1J222J	CHIP R 2.2K J 1/16W	
R576			RK73HB1J000J	CHIP R 0.0 J 1/16W		R775			RK73HB1J473J	CHIP R 47K J 1/16W	
R577			RK73FB2B000J	CHIP R 0.0 J 1/8W		R776			RK73HB1J103J	CHIP R 10K J 1/16W	
R589			RK73HB1J000J	CHIP R 0.0 J 1/16W		R778,779			RK73HB1J473J	CHIP R 47K J 1/16W	
R590			RK73HB1J823J	CHIP R 82K J 1/16W		R780			RK73HB1J222J	CHIP R 2.2K J 1/16W	
R591			RK73HB1J000J	CHIP R 0.0 J 1/16W		R781			RK73HB1J104J	CHIP R 100K J 1/16W	
R701			RK73HB1J000J	CHIP R 0.0 J 1/16W		R782			RK73HB1J102J	CHIP R 1.0K J 1/16W	
R703			RK73HB1J000J	CHIP R 0.0 J 1/16W		R783			RK73HB1J473J	CHIP R 47K J 1/16W	
R704			RK73HB1J102J	CHIP R 1.0K J 1/16W		R784			RK73HB1J104J	CHIP R 100K J 1/16W	
R705			RK73HB1J681J	CHIP R 680 J 1/16W		R785			RK73HB1J105J	CHIP R 1.0M J 1/16W	
R708			RK73HB1J472J	CHIP R 4.7K J 1/16W		R786			RK73GB2A102J	CHIP R 1.0K J 1/10W	
R709			RK73HB1J561J	CHIP R 560 J 1/16W		R787			RK73HB1J153J	CHIP R 15K J 1/16W	
R710			RK73GB2A124J	CHIP R 120K J 1/10W		R789			RK73GB2A472J	CHIP R 4.7K J 1/10W	
R711			RK73HB1J821J	CHIP R 820 J 1/16W		R790			RK73HB1J123J	CHIP R 12K J 1/16W	
R712			RK73HB1J561J	CHIP R 560 J 1/16W		R791			RK73HB1J102J	CHIP R 1.0K J 1/16W	
R713			RK73HB1J104J	CHIP R 100K J 1/16W		R792			RK73GH2A134D	CHIP R 130K D 1/10W	
R714,715			RK73HB1J223J	CHIP R 22K J 1/16W		R793			RK73GH2A183D	CHIP R 18K D 1/10W	
R716			RK73HB1J000J	CHIP R 0.0 J 1/16W		R794-797			RK73HB1J102J	CHIP R 1.0K J 1/16W	

PARTS LIST

TX-RX UNIT (X57-7680-XX)

Ref. No.	Address	New parts	Parts No.	Description	Destination	Ref. No.	Address	New parts	Parts No.	Description	Destination
R798			RK73GB2A000J	CHIP R 0.0 J 1/10W		R899			RK73HB1J000J	CHIP R 0.0 J 1/16W	
R799-801			RK73HB1J102J	CHIP R 1.0K J 1/16W		R928,929			RK73HB1J472J	CHIP R 4.7K J 1/16W	
R802			RK73HB1J000J	CHIP R 0.0 J 1/16W		R930			RK73HB1J223J	CHIP R 22K J 1/16W	
R803			RK73HB1J103J	CHIP R 10K J 1/16W		R931			RK73HB1J103J	CHIP R 10K J 1/16W	
R806-808			RK73HB1J000J	CHIP R 0.0 J 1/16W		R932			RK73HB1J000J	CHIP R 0.0 J 1/16W	
R811			RK73HB1J102J	CHIP R 1.0K J 1/16W		R933			RK73GB2A000J	CHIP R 0.0 J 1/10W	M, HM, HVK
R812			RK73HB1J473J	CHIP R 47K J 1/16W		R934			RK73GB2A000J	CHIP R 0.0 J 1/10W	K, HK
R815			RK73HB1J102J	CHIP R 1.0K J 1/16W		R935			RK73HB1J473J	CHIP R 47K J 1/16W	
R817-819			RK73HB1J000J	CHIP R 0.0 J 1/16W		R938			RK73HB1J000J	CHIP R 0.0 J 1/16W	
R820			RK73HB1J473J	CHIP R 47K J 1/16W		R939,940			RK73GB2A000J	CHIP R 0.0 J 1/10W	
R821			RK73HB1J471J	CHIP R 470 J 1/16W		R950			RK73HB1J473J	CHIP R 47K J 1/16W	
R823			RK73GB2A102J	CHIP R 1.0K J 1/10W		R951,952			RK73GB2A000J	CHIP R 0.0 J 1/10W	
R824			RK73HB1J152J	CHIP R 1.5K J 1/16W		R953,954			RK73HB1J000J	CHIP R 0.0 J 1/16W	
R825			RK73HB1J473J	CHIP R 47K J 1/16W		R955			RK73HB1J563J	CHIP R 56K J 1/16W	
R826			RK73HB1J223J	CHIP R 22K J 1/16W		R956			RK73HB1J561J	CHIP R 560 J 1/16W	
R827			RK73HB1J473J	CHIP R 47K J 1/16W		R957			RK73HB1J563J	CHIP R 56K J 1/16W	
R829			RK73HB1J000J	CHIP R 0.0 J 1/16W		R958			RK73HB1J561J	CHIP R 560 J 1/16W	
R831,832			RK73HB1J000J	CHIP R 0.0 J 1/16W		R959			RK73HB1J184J	CHIP R 180K J 1/16W	
R833-835			RK73HB1J103J	CHIP R 10K J 1/16W		R960			RK73HB1J222J	CHIP R 2.2K J 1/16W	
R836			RK73HB1J472J	CHIP R 4.7K J 1/16W		R961			RK73HB1J184J	CHIP R 180K J 1/16W	
R837			RK73HB1J152J	CHIP R 1.5K J 1/16W		R962			RK73HB1J152J	CHIP R 1.5K J 1/16W	
R838			RK73HB1J472J	CHIP R 4.7K J 1/16W		R964			RK73GH2A681D	CHIP R 680 D 1/10W	
R839			RK73HB1J473J	CHIP R 47K J 1/16W		R965			RK73HB1J473J	CHIP R 47K J 1/16W	
R840			RK73HB1J683J	CHIP R 68K J 1/16W		R967			RK73HB1J000J	CHIP R 0.0 J 1/16W	
R841			RK73HB1J473J	CHIP R 47K J 1/16W		R968			RK73HB1J104J	CHIP R 100K J 1/16W	
R842			RK73HB1J823J	CHIP R 82K J 1/16W		R970			RK73HB1J473J	CHIP R 47K J 1/16W	
R843			RK73HB1J222J	CHIP R 2.2K J 1/16W		R972			RK73HB1J102J	CHIP R 1.0K J 1/16W	
R845			RK73HB1J102J	CHIP R 1.0K J 1/16W		R973			RK73HB1J100J	CHIP R 10 J 1/16W	
R846			RK73GB2A221J	CHIP R 220 J 1/10W		R974			RK73HB1J390J	CHIP R 39 J 1/16W	
R847			RK73HB1J391J	CHIP R 390 J 1/16W		R975,976			RK73HB1J151J	CHIP R 150 J 1/16W	
R848			RK73GB2A473J	CHIP R 47K J 1/10W		R977,978			RK73HB1J473J	CHIP R 47K J 1/16W	
R849			RK73FB2B000J	CHIP R 0.0 J 1/8W		R979-998			RK73HB1J000J	CHIP R 0.0 J 1/16W	
R850			RK73GB2A334J	CHIP R 330K J 1/10W		R999			RK73HB1J473J	CHIP R 47K J 1/16W	
R851			RK73HB1J474J	CHIP R 470K J 1/16W		D1	*	1SS389-F	DIODE		
R852			RK73HB1J564J	CHIP R 560K J 1/16W		D4,5		HVC376B	VARIABLE CAPACITANCE DIODE		
R853			RK73HB1J000J	CHIP R 0.0 J 1/16W		D6-11		1SV325F	VARIABLE CAPACITANCE DIODE		
R854			RK73GB2A104J	CHIP R 100K J 1/10W		D12		1SV278F	VARIABLE CAPACITANCE DIODE		
R855			RK73HB1J101J	CHIP R 100 J 1/16W		D13,14		HVC376B	VARIABLE CAPACITANCE DIODE		
R856			RK73HB1J000J	CHIP R 0.0 J 1/16W		D15-17		HSC277	DIODE		
R857			RK73HB1J102J	CHIP R 1.0K J 1/16W		D300		UDZW5.1(B)	ZENER DIODE		
R858			RK73HB1J332J	CHIP R 3.3K J 1/16W		D301		1SS355	DIODE		
R859-863			RK73HB1J000J	CHIP R 0.0 J 1/16W		D302,303		L407CDB	DIODE (50V/1W)		
R867,868			RK73HB1J000J	CHIP R 0.0 J 1/16W		D304,305		L7091CER	DIODE		
R869			RK73HB1J104J	CHIP R 100K J 1/16W		D310,311		UDZW3.3(B)	ZENER DIODE		
R870,871			RK73HB1J000J	CHIP R 0.0 J 1/16W		D312		HSC277	DIODE		
R873-876			RK73HB1J000J	CHIP R 0.0 J 1/16W		D313,314		MA3J742	DIODE		
R877			RK73HB1J473J	CHIP R 47K J 1/16W		D500,501		MC2858	DIODE		
R878-881			RK73HB1J105J	CHIP R 1.0M J 1/16W		D506		1SV305F	VARIABLE CAPACITANCE DIODE		
R882			RK73HB1J823J	CHIP R 82K J 1/16W		D508-510		1SV305F	VARIABLE CAPACITANCE DIODE		
R883			RK73HB1J000J	CHIP R 0.0 J 1/16W		D700-710		DA221	DIODE		
R884			RK73HB1J472J	CHIP R 4.7K J 1/16W		D711		MC2858	DIODE		
R885			RK73HB1J683J	CHIP R 68K J 1/16W		D712		1SS372F	DIODE		
R886			RK73HB1J823J	CHIP R 82K J 1/16W		D715		UDZW18(B)	ZENER DIODE		
R887			RK73FB2B000J	CHIP R 0.0 J 1/8W		D717		Z5W27V	SURGE ABSORBER		
R888			RK73GB2A473J	CHIP R 47K J 1/10W		D718		MA2S111-F	DIODE		
R889			RK73GB2A221J	CHIP R 220 J 1/10W		D719,720		HVC131	DIODE		
R890			RK73HB1J102J	CHIP R 1.0K J 1/16W		IC1		MB15E03SL-E1	MOS-IC		
R891-893			RK73HB1J000J	CHIP R 0.0 J 1/16W		IC2	*	BD7542FVM	MOS-IC		
R894,895			RK73HB1J102J	CHIP R 1.0K J 1/16W		IC300	*	HA17358BFEL-E	MOS-IC		
R896			RK73GB2A000J	CHIP R 0.0 J 1/10W							

PARTS LIST

TX-RX UNIT (X57-7680-XX)

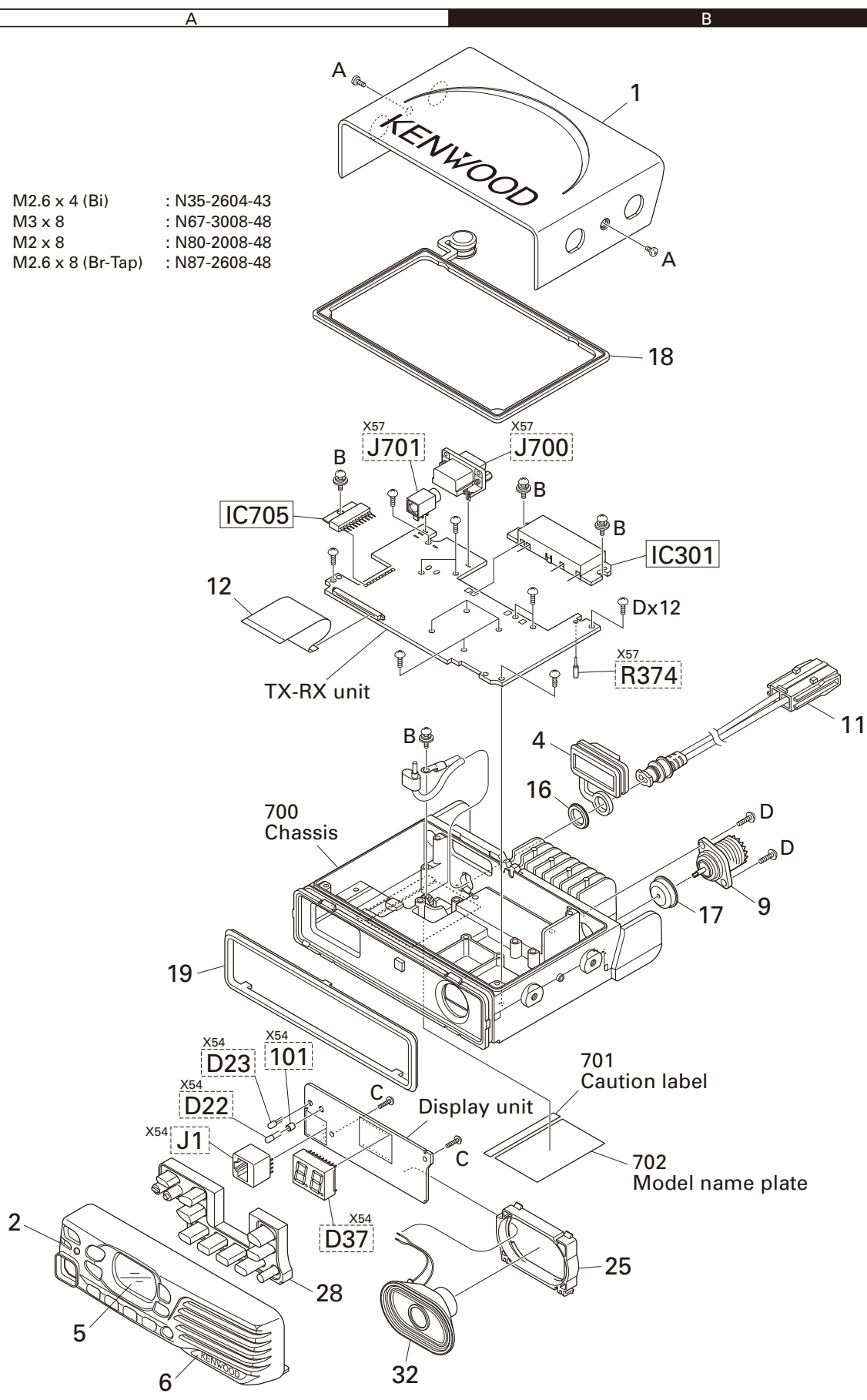
Ref. No.	Address	New parts	Parts No.	Description	Destination	Ref. No.	Address	New parts	Parts No.	Description	Destination
IC301	2B	*	RA60H1317M1A	MOS-IC	HM,HK,HVK M,K						
IC301	2B	*	S-AV33A	MOS-IC							
IC500			TA31136FNG	MOS-IC							
IC501		*	HA17358BFEL-E	MOS-IC							
IC700			NJM2100V-ZB	MOS-IC							
IC701		*	CD686Q3	MOS-IC							
IC702		*	F364AEDFBKCUB	MICROCONTROLLER IC							
IC703		*	EX24064ASAS0A	ROM IC							
IC704		*	TA4809BF	ANALOGUE IC							
IC705	2A		LA4600	BI-POLAR IC							
IC706		*	XC6221B332NR	MOS-IC							
IC707			TA7805FQ	MOS-IC							
IC708			BD4740G	MOS-IC							
IC709		*	XC6120N402N1	MOS-IC							
IC710		*	XC6221B332NR	MOS-IC							
Q3			2SC5108(Y)F	TRANSISTOR							
Q4		*	MCH3914(7)-H	FET							
Q5			2SJ347F	FET							
Q6		*	MCH3914(7)-H	FET							
Q7			KRX102U	TRANSISTOR							
Q8			KTC4075E(Y,GR)	TRANSISTOR							
Q9,10			2SC5108(Y)F	TRANSISTOR							
Q11			SSM3J05FU-F	FET							
Q12			2SK1830F	FET							
Q300			RD00HVS1-T113	FET							
Q500			2SC5108(Y)F	TRANSISTOR							
Q501			RT1P441U	TRANSISTOR							
Q502			2SC5108(Y)F	TRANSISTOR							
Q504			3SK318	FET							
Q506			3SK318	FET							
Q507			RT1N441U	TRANSISTOR							
Q510			RT1N441U	TRANSISTOR							
Q511			KTC4075E(Y,GR)	TRANSISTOR							
Q701			2SK1830F	FET							
Q702			2SC4919	TRANSISTOR							
Q703			KTC4075E(Y,GR)	TRANSISTOR							
Q705			SSM3J05FU-F	FET							
Q707			KRC414RTK	DIGITAL TRANSISTOR							
Q710-712			RT1N441U	TRANSISTOR							
Q713,714			2SB1694	TRANSISTOR							
Q715			SSM3K05FU	FET							
Q717,718			SSM3J05FU-F	FET							
Q719			KTC4075E(Y,GR)	TRANSISTOR							
Q720			2SJ645	FET							
Q721			RT1N441U	TRANSISTOR							
Q722			KTC4075E(Y,GR)	TRANSISTOR							
Q723			SSM3K05FU	FET							
Q724			2SJ645	FET							
Q725			KTC4075E(Y,GR)	TRANSISTOR							
Q728			2SC4116(Y)F	TRANSISTOR							
Q729,730			KTC4075E(Y,GR)	TRANSISTOR							
Q731,732			2SC5108(Y)F	TRANSISTOR							
Q733			RT1N441U	TRANSISTOR							
TH300-302			B57331V2104J	THERMISTOR							
TH501			NCP18WM474JOS	THERMISTOR							

K : TK-7302(V)K HK : TK-7302HK HVK : TK-7302H(V)K
M : TK-7302M HM : TK-7302HM

If a part reference number is listed in a shaded box, that part does not come with the PCB.

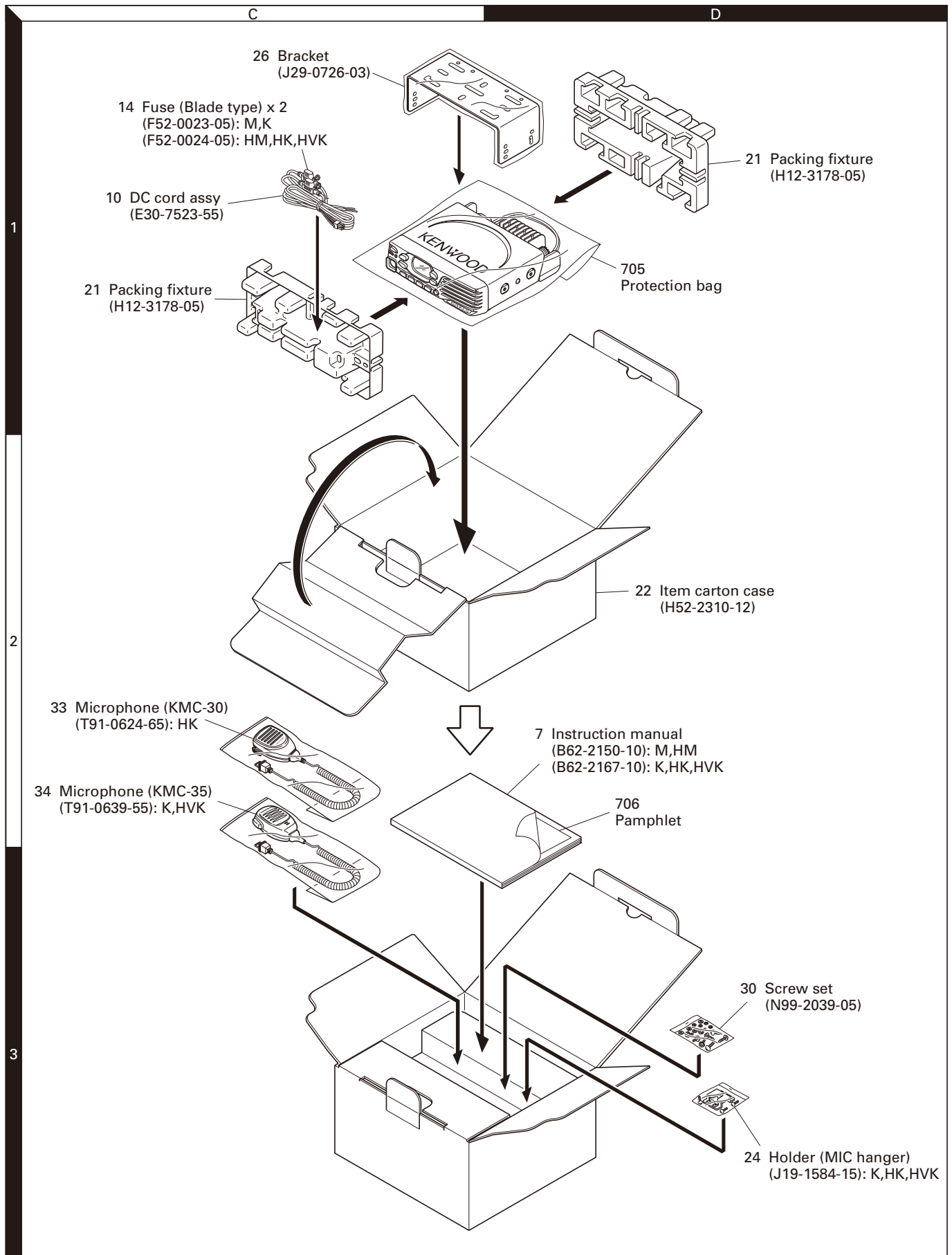
EXPLODED VIEW

- | | | |
|---|-------------------|---------------|
| A | M2.6 x 4 (Bi) | : N35-2604-43 |
| B | M3 x 8 | : N67-3008-48 |
| C | M2 x 8 | : N80-2008-48 |
| D | M2.6 x 8 (Br-Tap) | : N87-2608-48 |



26 Parts with the exploded numbers larger than 700 are not supplied.
 If a part reference number is listed in a box on the exploded view of the PCB, that part does not come with the PCB.
 These parts must be ordered separately.

PACKING



Parts with the exploded numbers larger than 700 are not supplied.