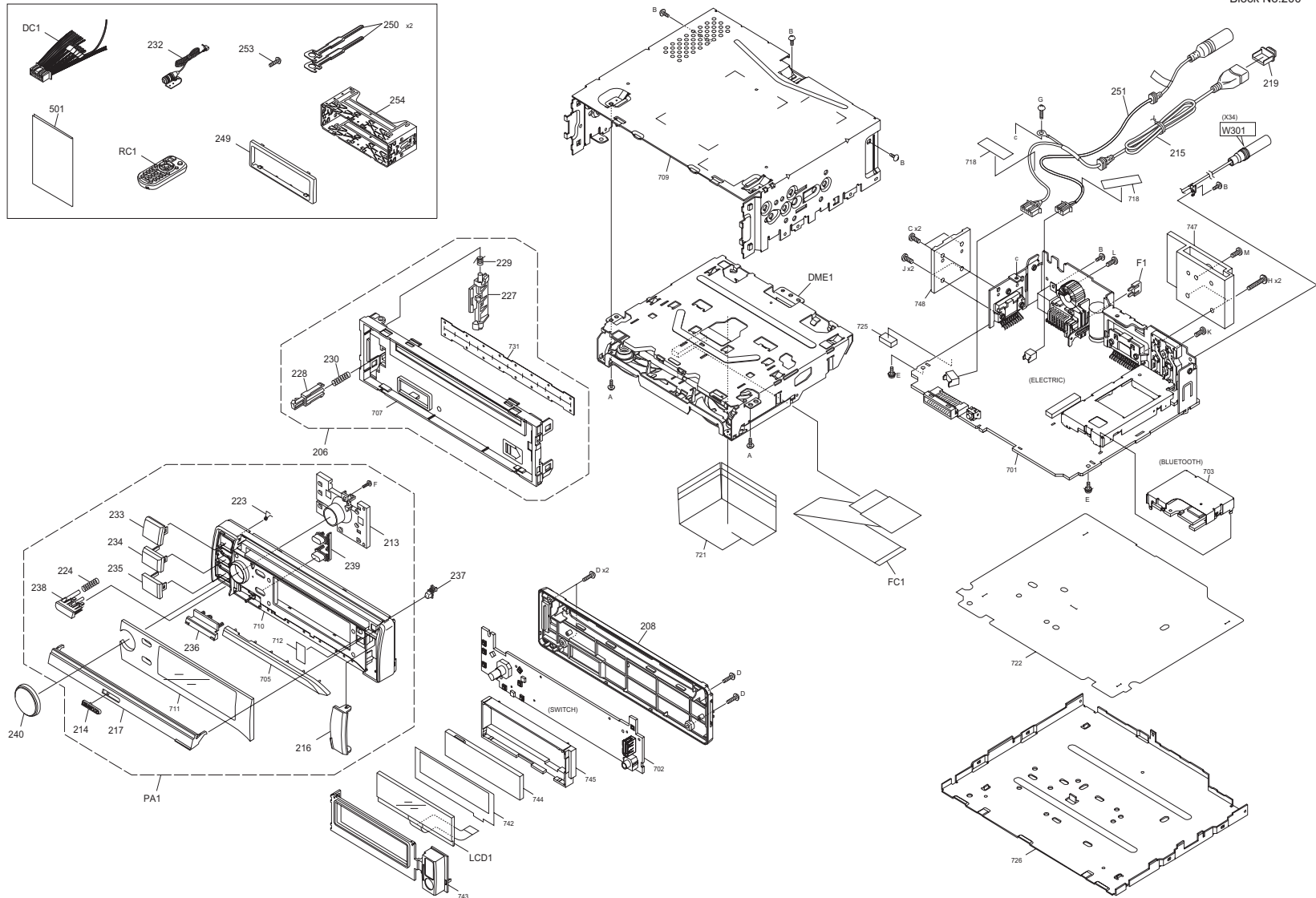


# EXPLODED VIEW (UNIT)



Block No.200

Parts with the exploded numbers larger than 700 are not supplied.  
 created date:2014-01-24

MODEL	MARK	MODEL	MARK
KDC-BT958HD	K1	KDC-X998	K0

Safe	Symbol No.	Parts No.	Parts Name	Description	QTY	Local
------	------------	-----------	------------	-------------	-----	-------

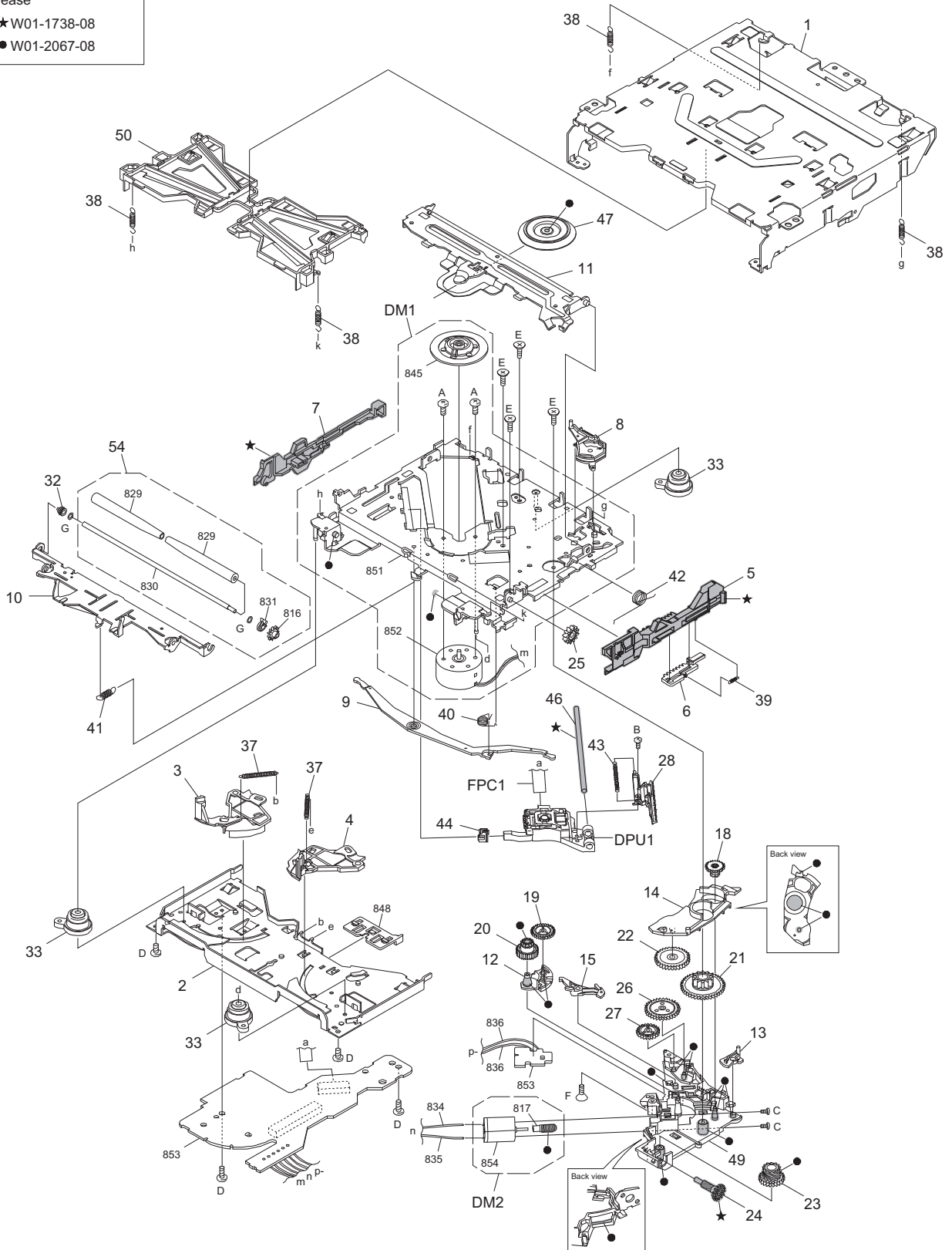
EXPLODED VIEW (UNIT) <200>

△	DC1	QAM1572-001	DC CORD		1	
	DME1	X92-6800-00	MECHANISM ASSY	FC2-1A00WXN	1	
△	F1	F52-0023-05	FUSE	32V	1	
	FC1	E39-1325-05	FLAT CABLE		1	
	LCD1	B38-1250-05	LCD		1	
	PA1	A64-5604-01	PANEL ASSY		1	K1
	PA1	A64-5603-01	PANEL ASSY		1	K0
	RC1	QAL1303-004	REMOTE CONTROL	RC-406	1	
			UNIT			
	A	QYSDST2604ZA	TAP SCREW	M2.6 x 4mm	2	
	B	QYSDST2606ZA	TAP SCREW	M2.6 x 6mm	5	
	C	QYSDST2608ZA	TAP SCREW	M2.6 x 8mm	2	
	D	QYSPSF2008MA	TAP SCREW	M2 x 8mm	4	
	E	N09-6758-05	TAPTITE SCREW		2	
	F	N80-2006-48	PAN HEAD TAPTITE	2X 6	1	
			SCREW			
	G	N84-2005-48	PAN HEAD TAPTITE	2X 5	1	
			SCREW			
	H	GE40377-005A	SPECIAL SCREW		2	
	J	GE40662-001A	SPECIAL SCREW		2	
	K	QYSDSF2608ZA	TAP SCREW	M2.6 x 8mm	1	
	L	QYSDSG3006ZA	TAP SCREW	M3 x 6mm	1	
	M	QYSDST2610ZA	TAP SCREW	M2.6 x 10mm	1	
	206	A22-3354-03	SUB PANEL ASSY		1	
	208	A46-1936-01	REAR COVER		1	
	213	B19-2636-02	LIGHTING BOARD		1	
	214	B43-1518-04	BADGE		1	
	215	E30-8326-05	CORD WITH	USB	1	
			CONNECTOR			
	216	F07-2269-03	COVER	USB	1	
	217	F07-2293-02	COVER		1	K1
	217	F07-2292-02	COVER		1	K0
	219	F09-2929-04	CAP	USB	1	
	223	G01-4823-04	TORSION COIL		1	
			SPRING			
	224	G01-4824-04	COMPRESSION SPRING		1	
	227	GE35078-001A	LOCK LEVER		1	
	228	GE35079-001A	RELEASE LEVER		1	
	229	GE40504-001A	SPRING		1	
	230	GE40505-001A	SPRING		1	
	232	QAN0126-001	MICROPHONE	3m	1	
	233	K24-5276-03	PUSH KNOB	SRC	1	K1
	233	K24-5275-03	PUSH KNOB	SRC	1	K0
	234	K24-5278-03	PUSH KNOB	SEARCH/RETURN	1	
	235	K24-5280-02	PUSH KNOB	TEL	1	K1
	235	K24-5279-02	PUSH KNOB	TEL	1	K0
	236	K24-5286-03	PUSH KNOB	TRACK-UP	1	K1
	236	K24-5285-03	PUSH KNOB	TRACK-UP,PLATING	1	K0
	237	K24-5290-03	PUSH KNOB	EJECT	1	
	238	K24-5291-03	PUSH KNOB	RELEASE	1	
	239	K25-3156-03	PUSH KNOB	FOLDER-UP/DOWN	1	
	240	K28-0627-03	KNOB ASSY	VOL	1	
	249	B07-3361-02	ESCUTCHEON		1	
	250	GE40578-001A	HOOK		2	
	251	E30-6907-05	CORD WITH	MINI JACK	1	
			CONNECTOR			
	253	QYSPSF2008ZA	TAP SCREW	M2 x 8mm	1	
	254	GE34826-001A	M.SLEEVE ASSY		1	
	501	B59-2829-00	SUB-INSTRUCTION		1	
			MANUAL			

# EXPLODED VIEW (CD MECHANISM: X92-6800-00)

Block No.130

Grease  
 ★ W01-1738-08  
 ● W01-2067-08



Parts with the exploded numbers larger than 800 are not supplied.

MODEL	MARK	MODEL	MARK
KDC-BT958HD	K1	KDC-X998	K0

Safe	Symbol No.	Parts No.	Parts Name	Description	QTY	Local
<b>EXPLODED VIEW (CD MECHANISM: X92-6800-00) &lt;130&gt;</b>						
	DM1	X94-2230-00	MD CHASSIS ASSY		1	
	DM2	X94-2240-00	LOADING MOTOR ASSY		1	
△	DPU1	QAL1521-001	PICK UP		1	
	FPC1	QAL1465-001	FPC		1	
A		LV45568-001A	MINI SCREW		2	
B		QYSPSGT1745ZA	TAP SCREW	M1.7 x 4.5mm	1	
C		QYSPSPT2025MA	SCREW	M2 x 2.5mm	2	
D		N09-6108-15	TAPTITE SCREW		4	
E		N09-6738-15	GEAR SCREW		4	
F		N09-6921-05	MAIN SHAFT SCREW		1	
G		N19-2356-04	ROLLER WASHER		2	
1		A10-5625-21	OUTER CHASSIS		1	
2		A10-5626-01	LOWER CHASSIS		1	
3		D10-7174-03	DISC ARM L		1	
4		D10-7175-03	DISC ARM R		1	
5		D10-7177-02	SLIDER R		1	
6		D10-7178-03	TRIGER SLIDER		1	
7		D10-7179-02	SLIDER L		1	
8		D10-7180-03	TRIGER ARM		1	
9		D10-7181-13	JOINT LEVER		1	
10		D10-7182-12	ROLLER LEVER		1	
11		D10-7183-02	CLAMP ARM		1	
12		D10-7184-03	TRANSFER ARM		1	
13		D10-7185-04	SL LOCK CAM		1	
14		D10-7186-03	SL LOCK ARM		1	
15		D10-7187-13	PICK LOCK ARM		1	
18		D13-3104-04	HELICAL GEAR 1		1	
19		D13-3105-04	TRANSFER GEAR		1	
20		D13-3106-04	LOAD GEAR H		1	
21		D13-3107-04	DRIVE GEAR		1	
22		D13-3108-04	JOINT GEAR		1	
23		D13-3109-04	WORM GEAR 2		1	
24		D13-3110-04	HELICAL GEAR 2		1	
25		D13-3111-04	LOAD GEAR V		1	
26		D13-3112-04	PICK GEAR 1		1	
27		D13-3113-04	PICK GEAR 2		1	
28		D13-3114-03	RACK GEAR		1	
32		D23-0974-14	ROLLER RETAIER L		1	
33		D39-0401-05	DAMPER 1		3	
37		G01-4810-04	DISC ARM SPRING		2	
38		G01-4811-14	FLOATING SPRING F		4	
39		G01-4813-04	TRIGER SPRING		1	
40		G01-4814-04	LOAD SPRING		1	
41		G01-4815-04	ROLLER SPRING		1	
42		G01-4816-04	CLAMP SPRING		1	
43		G01-4817-04	PICK SPRING		1	
44		LV36813-501A	SUB GUIDE CAP		1	
46		LV44555-001A	MAIN SHAFT		1	
47		J11-0692-03	CLAMPER		1	
49		J19-7360-21	GEAR HOLDER		1	
50		J90-1209-21	DISC GUIDE		1	
54		X94-2250-00	ROLLER ASSY		1	

MODEL	MARK	MODEL	MARK
KDC-BT958HD	K1	KDC-X998	K0

Safe	Symbol No.	Parts No.	Parts Name	Description	QTY	Local
<b>ELECTRIC UNIT (X34-7630-1x) &lt;X34&gt;</b>						
	IC1	LV5684PVD	IC		1	
	IC31	BD9876EFJ	IC		1	
	IC41	BD9673AEFJ-X	IC		1	
	IC51	BD9876EFJ	IC		1	
	IC71	TPS2553DBV	IC		1	
	IC81	TPS2553DBV	IC		1	
	IC171	XC6201P502MR	IC		1	
	IC181	BU1CTD3WG	IC		1	
	IC201	TB2931HQ	IC		1	
	IC461	TC7SET08FU-F	IC		1	
	IC462	TC7SH17FU-F	IC		1	
	IC601	E-TDA7716N	IC		1	
	IC651	AK7601AVQ-W	IC		1	
	IC701	XC6201P332M-G	IC		1	
	IC801	R5S726B0D216FP	IC		1	
	IC831	W10-0880-08	IC		1	
	IC841	BD5228FVE	IC		1	
	IC851	BR24T256FVT-W	IC		1	
	IC861	MF1337S3959-X	IC		1	
	IC901	BH31MA3WHFV	IC		1	
	Q111	LSAR523UBFS8	TRANSISTOR		1	
	Q112	LSAR523UBFS8	TRANSISTOR		1	
	Q113	LSAR523UBFS8	TRANSISTOR		1	
	Q114	2SB1188(Q,R)	TRANSISTOR		1	
	Q115	LSCR523UBFS8	TRANSISTOR		1	
	Q116	LTC043ZUBFS8	DIGI TRANSISTOR		1	
	Q131	LSCR523UBFS8	TRANSISTOR		1	
	Q132	LSCR523UBFS8	TRANSISTOR		1	
	Q133	LSCR523UBFS8	TRANSISTOR		1	
	Q134	LTC044EUBFS8	DIGI TRANSISTOR		1	
	Q135	LSCR523UBFS8	TRANSISTOR		1	
	Q231	LTC043TUBFS8	DIGI TRANSISTOR		1	
	Q232	LTC043TUBFS8	DIGI TRANSISTOR		1	
	Q233	LTC043TUBFS8	DIGI TRANSISTOR		1	
	Q234	LTC043TUBFS8	DIGI TRANSISTOR		1	
	Q235	LTC043TUBFS8	DIGI TRANSISTOR		1	
	Q236	LTC043TUBFS8	DIGI TRANSISTOR		1	
	Q237	LTA014YUBFS8	DIGI TRANSISTOR		1	
	Q401	LSAR523UBFS8	TRANSISTOR		1	
	Q402	LTC043ZUBFS8	DIGI TRANSISTOR		1	
	Q403	LSCR523UBFS8	TRANSISTOR		1	
	Q701	2SB1188(Q,R)	TRANSISTOR		1	
	Q702	LTC043ZUBFS8	DIGI TRANSISTOR		1	
	Q703	LSAR523UBFS8	TRANSISTOR		1	
	Q704	LTC043ZUBFS8	DIGI TRANSISTOR		1	
	Q861	LTA023JUBFS8	TRANSISTOR		1	
	Q901	LTA023JUBFS8	TRANSISTOR		1	
	D1	RB160L-40	SCHOTTKY DIODE		1	
	D31	RB080L-30	SCHOTTKY DIODE		1	
	D41	RB080L-30	SCHOTTKY DIODE		1	
	D51	RB055L-40	SCHOTTKY DIODE		1	
	D111	DA2J101-X	SI DIODE		1	
	D112	DZ2J051/M/-X	Z DIODE		1	
	D131	DZ2J068/M/-X	Z DIODE		1	
	D132	DZ2J068/M/-X	Z DIODE		1	
	D133	DZ2J068/M/-X	Z DIODE		1	
	D134	DZ2J051/M/-X	Z DIODE		1	
	D135	RB521SM-30	DIODE		1	
	D136	MC2846-T111	DIODE		1	
	D137	GS1J-LTP-X	SI DIODE		1	
	D138	GS1J-LTP-X	SI DIODE		1	
	D139	GS1J-LTP-X	SI DIODE		1	
	D140	GS1J-LTP-X	SI DIODE		1	
	D141	S2V60-5009F46	DIODE		1	
	D201	MC2846-T111	DIODE		1	
	D231	MC2846-T111	DIODE		1	
	D232	MC2850-T111	DIODE		1	
	D360	IMSA680201901	SURGE ABSORBER		1	
	D406	DZ2J056/M/-X	Z DIODE		1	
	D461	DZ2J068/M/-X	Z DIODE		1	
	D462	DZ2J068/M/-X	Z DIODE		1	
	D463	DZ2J062/M/-X	Z DIODE		1	
	D465	DZ2J062/M/-X	Z DIODE		1	
	D466	DZ2J062/M/-X	Z DIODE		1	
	D467	DZ2J062/M/-X	Z DIODE		1	
	D511	DZ2J068/M/-X	Z DIODE		1	
	D512	DZ2J068/M/-X	Z DIODE		1	
	D513	DZ2J068/M/-X	Z DIODE		1	
	D521	VR105C3R3BAA	VARIATOR		1	
	D522	VR105C3R3BAA	VARIATOR		1	
	D523	STZ6.8N	DIODE ARRAY		1	
	D531	VR105C3R3BAA	VARIATOR		1	
	D532	VR105C3R3BAA	VARIATOR		1	
	D601	MC2846-T111	DIODE		1	
	D604	DA2J101-X	SI DIODE		1	
	D701	SJPM-H4	DIODE		1	
	D913	MC2850-T111	DIODE		1	
	C1	CK73FB1C105K	C CAPACITOR	1uF 16V K	1	
	C3	CK73GB1A105K	C CAPACITOR	1uF 10V K	1	
	C5	CK73GB1A105K	C CAPACITOR	1uF 10V K	1	
	C6	CD04AR1C471M	E CAPACITOR	470uF 16V M	1	

MODEL	MARK	MODEL	MARK
KDC-BT958HD	K1	KDC-X998	K0

Safe	Symbol No.	Parts No.	Parts Name	Description	QTY	Local
	C7	CD04AS0J101M	E CAPACITOR	100uF 6.3V M	1	
	C8	CK73GB1A105K	C CAPACITOR	1uF 10V K	1	
	C9	CK73GB1A105K	C CAPACITOR	1uF 10V K	1	
	C10	CK73FB1H224K	C CAPACITOR	0.22uF 50V K	1	
	C11	CK73FB1H224K	C CAPACITOR	0.22uF 50V K	1	
	C13	CC73GCH1H120J	C CAPACITOR	12pF 50V J	1	
	C14	CC73GCH1H120J	C CAPACITOR	12pF 50V J	1	
	C32	CK73EB1E106K	C CAPACITOR	10uF 25V K	1	
	C34	CK73GB1H104K	C CAPACITOR	0.1uF 50V K	1	
	C35	CK73GB1C473K	C CAPACITOR	0.047uF 16V K	1	
	C37	CK73FB1E475K	C CAPACITOR	4.7uF 25V K	1	
	C40	CK73GB1H103K	C CAPACITOR	0.01uF 50V K	1	
	C42	CK73EB1E106K	C CAPACITOR	10uF 25V K	1	
	C44	CK73GB1H104K	C CAPACITOR	0.1uF 50V K	1	
	C45	CK73GB1H103K	C CAPACITOR	0.01uF 50V K	1	
	C47	CK73FB0J226M	C CAPACITOR	22uF 6.3V M	1	
	C50	CK73GB1H103K	C CAPACITOR	0.01uF 50V K	1	
	C52	CK73EB1E106K	C CAPACITOR	10uF 25V K	1	
	C54	CK73GB1H104K	C CAPACITOR	0.1uF 50V K	1	
	C55	CK73GB1H472K	C CAPACITOR	4700pF 50V K	1	
	C57	CK73FB0J226M	C CAPACITOR	22uF 6.3V M	1	
	C60	CK73GB1H103K	C CAPACITOR	0.01uF 50V K	1	
	C71	CK73GB1H104K	C CAPACITOR	0.1uF 50V K	1	
	C72	CK73GB1H104K	C CAPACITOR	0.1uF 50V K	1	
	C73	CD04BR1C221M	E CAPACITOR	220uF 16V M	1	
	C81	CK73GB1H104K	C CAPACITOR	0.1uF 50V K	1	
	C82	CK73GB1H104K	C CAPACITOR	0.1uF 50V K	1	
	C83	CD04BR1C221M	E CAPACITOR	220uF 16V M	1	
	C111	CD04AS1C220M	E CAPACITOR	22uF 16V M	1	
	C113	CC73GCH1H470J	C CAPACITOR	47pF 50V J	1	
	C114	CK73GB1A105K	C CAPACITOR	1uF 10V K	1	
	C115	CK73GB1H102K	C CAPACITOR	1000pF 50V K	1	
	C132	CK73GB1H103K	C CAPACITOR	0.01uF 50V K	1	
	C133	CK73GB1H104K	C CAPACITOR	0.1uF 50V K	1	
	C135	CK73GB1A105K	C CAPACITOR	1uF 10V K	1	
	C136	CK73GB1H223K	C CAPACITOR	0.022uF 50V K	1	
	C138	CD04AZ1C332M2	E CAPACITOR	3300uF 16V M	1	
	C171	CK73GB1A105K	C CAPACITOR	1uF 10V K	1	
	C174	CK73GB1A105K	C CAPACITOR	1uF 10V K	1	
	C181	CK73GB1A105K	C CAPACITOR	1uF 10V K	1	
	C183	CK73GB1A105K	C CAPACITOR	1uF 10V K	1	
	C201	CK73GB1C224K	C CAPACITOR	0.22uF 16V K	1	
	C202	CK73GB1C224K	C CAPACITOR	0.22uF 16V K	1	
	C203	CK73GB1C224K	C CAPACITOR	0.22uF 16V K	1	
	C204	CK73GB1C224K	C CAPACITOR	0.22uF 16V K	1	
	C205	CK73GB1A105K	C CAPACITOR	1uF 10V K	1	
	C206	CD04AS1V100M	E CAPACITOR	10uF 35V M	1	
	C207	CK73GB1A105K	C CAPACITOR	1uF 10V K	1	
	C208	CK73GB1A105K	C CAPACITOR	1uF 10V K	1	
	C231	CD04AS1V100M	E CAPACITOR	10uF 35V M	1	
	C232	CD04AS1V100M	E CAPACITOR	10uF 35V M	1	
	C233	CD04AS1V100M	E CAPACITOR	10uF 35V M	1	
	C234	CD04AS1V100M	E CAPACITOR	10uF 35V M	1	
	C235	CD04AS1V100M	E CAPACITOR	10uF 35V M	1	
	C236	CD04AS1V100M	E CAPACITOR	10uF 35V M	1	
	C390	CK73GB1A105K	C CAPACITOR	1uF 10V K	1	
	C391	CK73GB1H103K	C CAPACITOR	0.01uF 50V K	1	
	C401	C90-6990-05	E CAPACITOR		1	
	C402	CK73GB1H104K	C CAPACITOR	0.1uF 50V K	1	
	C404	CK73GB1H104K	C CAPACITOR	0.1uF 50V K	1	
	C417	CK73GB1H222K	C CAPACITOR	2200pF 50V K	1	
	C418	CK73GB1H222K	C CAPACITOR	2200pF 50V K	1	
	C419	CK73GB1A105K	C CAPACITOR	1uF 10V K	1	
	C420	CK73GB1A105K	C CAPACITOR	1uF 10V K	1	
	C423	CK73FB0J226M	C CAPACITOR	22uF 6.3V M	1	
	C424	CK73GB1H103K	C CAPACITOR	0.01uF 50V K	1	
	C425	CK73GB1A105K	C CAPACITOR	1uF 10V K	1	
	C461	CK73GB1A105K	C CAPACITOR	1uF 10V K	1	
	C462	CK73GB1A105K	C CAPACITOR	1uF 10V K	1	
	C463	CD04AS0J470M	E CAPACITOR	47uF 6.3V M	1	
	C511	CK73GB1H102K	C CAPACITOR	1000pF 50V K	1	
	C512	CK73GB1H102K	C CAPACITOR	1000pF 50V K	1	
	C513	CK73GB1H104K	C CAPACITOR	0.1uF 50V K	1	
	C514	CK73GB1H104K	C CAPACITOR	0.1uF 50V K	1	
	C515	CD04AS0J470M	E CAPACITOR	47uF 6.3V M	1	
	C516	CK73GB1H103K	C CAPACITOR	0.01uF 50V K	1	
	C601	CK73HB0J105K	C CAPACITOR	1uF 6.3V K	1	
	C602	CK73HB0J105K	C CAPACITOR	1uF 6.3V K	1	
	C603	CK73HB0J105K	C CAPACITOR	1uF 6.3V K	1	
	C604	CK73HB0J105K	C CAPACITOR	1uF 6.3V K	1	
	C605	CK73HB0J105K	C CAPACITOR	1uF 6.3V K	1	
	C606	CK73HB0J105K	C CAPACITOR	1uF 6.3V K	1	
	C607	CK73HB0J105K	C CAPACITOR	1uF 6.3V K	1	
	C608	CK73HB0J105K	C CAPACITOR	1uF 6.3V K	1	
	C621	CK73GB1H103K	C CAPACITOR	0.01uF 50V K	1	
	C622	CD04AS1H2R2M	E CAPACITOR	2.2uF 50V M	1	
	C624	CK73GB1A105K	C CAPACITOR	1uF 10V K	1	
	C625	CK73GB1A105K	C CAPACITOR	1uF 10V K	1	
	C626	CK73GB1A474K	C CAPACITOR	0.47uF 10V K	1	
	C627	CK73GB1A105K	C CAPACITOR	1uF 10V K	1	
	C628	CK73GB1A474K	C CAPACITOR	0.47uF 10V K	1	
	C629	CK73GB1H103K	C CAPACITOR	0.01uF 50V K	1	



MODEL	MARK	MODEL	MARK
KDC-BT958HD	K1	KDC-X998	K0

Safe	Symbol No.	Parts No.	Parts Name	Description	QTY	Local
	C631	CD04AS1C470M	E CAPACITOR	47uF 16V M	1	
	C643	CK73GB1A105K	C CAPACITOR	1uF 10V K	1	
	C644	CD04AS0J470M	E CAPACITOR	47uF 6.3V M	1	
	C651	CK73HB1E103K	C CAPACITOR	0.01uF 25V K	1	
	C652	CK73HB1E103K	C CAPACITOR	0.01uF 25V K	1	
	C653	CK73HB1E103K	C CAPACITOR	0.01uF 25V K	1	
	C654	CK73HB1E103K	C CAPACITOR	0.01uF 25V K	1	
	C655	CK73HB1E103K	C CAPACITOR	0.01uF 25V K	1	
	C656	CK73HB1E103K	C CAPACITOR	0.01uF 25V K	1	
	C657	CK73HB0J105K	C CAPACITOR	1uF 6.3V K	1	
	C659	CK73HB1E103K	C CAPACITOR	0.01uF 25V K	1	
	C660	CK73HB1E103K	C CAPACITOR	0.01uF 25V K	1	
	C661	CK73GB1H103K	C CAPACITOR	0.01uF 50V K	1	
	C662	CD04AS0J470M	E CAPACITOR	47uF 6.3V M	1	
	C663	CC73GCH1H150J	C CAPACITOR	15pF 50V J	1	
	C664	CC73GCH1H120J	C CAPACITOR	12pF 50V J	1	
	C665	CK73GB0J225K	C CAPACITOR	2.2uF 6.3V K	1	
	C667	CK73GB1H104K	C CAPACITOR	0.1uF 50V K	1	
	C701	CD04AS1H4R7M	E CAPACITOR	4.7uF 50V M	1	
	C702	CD04AS1H4R7M	E CAPACITOR	4.7uF 50V M	1	
	C706	CK73GB1A105K	C CAPACITOR	1uF 10V K	1	
	C707	CK73GB1A105K	C CAPACITOR	1uF 10V K	1	
	C710	CD04AS1C101M	E CAPACITOR	100uF 16V M	1	
	C801	CK73GB1H104K	C CAPACITOR	0.1uF 50V K	1	
	C802	CK73GB1H104K	C CAPACITOR	0.1uF 50V K	1	
	C803	CK73GB1H104K	C CAPACITOR	0.1uF 50V K	1	
	C804	CK73GB1H104K	C CAPACITOR	0.1uF 50V K	1	
	C805	CK73GB1H104K	C CAPACITOR	0.1uF 50V K	1	
	C806	CK73GB1H104K	C CAPACITOR	0.1uF 50V K	1	
	C807	CK73HB1A104K	C CAPACITOR	0.1uF 10V K	1	
	C808	CK73HB1A104K	C CAPACITOR	0.1uF 10V K	1	
	C809	CK73HB1A104K	C CAPACITOR	0.1uF 10V K	1	
	C810	CK73HB1A104K	C CAPACITOR	0.1uF 10V K	1	
	C811	CK73HB1A104K	C CAPACITOR	0.1uF 10V K	1	
	C812	CK73GB1H104K	C CAPACITOR	0.1uF 50V K	1	
	C813	CK73HB1A104K	C CAPACITOR	0.1uF 10V K	1	
	C814	CK73HB1A104K	C CAPACITOR	0.1uF 10V K	1	
	C815	CK73GB1H104K	C CAPACITOR	0.1uF 50V K	1	
	C816	CK73GB1H104K	C CAPACITOR	0.1uF 50V K	1	
	C817	CK73GB1H104K	C CAPACITOR	0.1uF 50V K	1	
	C818	CK73GB1H104K	C CAPACITOR	0.1uF 50V K	1	
	C819	CK73HB1A104K	C CAPACITOR	0.1uF 10V K	1	
	C820	CK73GB1H104K	C CAPACITOR	0.1uF 50V K	1	
	C821	CK73GB1H104K	C CAPACITOR	0.1uF 50V K	1	
	C822	CK73HB1A104K	C CAPACITOR	0.1uF 10V K	1	
	C823	CK73GB1H103K	C CAPACITOR	0.01uF 50V K	1	
	C824	CK73GB1H103K	C CAPACITOR	0.01uF 50V K	1	
	C825	CK73GB1H104K	C CAPACITOR	0.1uF 50V K	1	
	C831	CK73GB1H104K	C CAPACITOR	0.1uF 50V K	1	
	C841	CC73GCH1H150J	C CAPACITOR	15pF 50V J	1	
	C842	CC73GCH1H150J	C CAPACITOR	15pF 50V J	1	
	C846	CK73GB1H682K	C CAPACITOR	6800pF 50V K	1	
	C851	CK73GB1H104K	C CAPACITOR	0.1uF 50V K	1	
	C861	CK73HB1A104K	C CAPACITOR	0.1uF 10V K	1	
	C901	CK73HB0J105K	C CAPACITOR	1uF 6.3V K	1	
	C902	CK73GB0J225K	C CAPACITOR	2.2uF 6.3V K	1	
	C903	CK73HB1E103K	C CAPACITOR	0.01uF 25V K	1	
	C904	CK73GB1H102K	C CAPACITOR	1000pF 50V K	1	
	C906	CK73FB1C105K	C CAPACITOR	1uF 16V K	1	
	R1	RK73GH2A563D	MG RESISTOR	56kΩ 1/10W D	1	
	R2	RK73GH2A752D	MG RESISTOR	7.5kΩ 1/10W D	1	
	R3	RK73GH2A472D	MG RESISTOR	4.7kΩ 1/10W D	1	
	R4	RK73GH2A273D	MG RESISTOR	27kΩ 1/10W D	1	
	R5	RK73GB2A472J	MG RESISTOR	4.7kΩ 1/10W J	1	
	R6	RK73GB2A103J	MG RESISTOR	10kΩ 1/10W J	1	
	R7	RK73GB2A472J	MG RESISTOR	4.7kΩ 1/10W J	1	
	R8	RK73GB2A103J	MG RESISTOR	10kΩ 1/10W J	1	
	R12	RK73GH2A100D	MG RESISTOR	10Ω 1/10W D	1	
	R31	RK73GB2A102J	MG RESISTOR	1kΩ 1/10W J	1	
	R32	RK73GH2A164D	MG RESISTOR	160kΩ 1/10W D	1	
	R33	RK73GH2A333D	MG RESISTOR	33kΩ 1/10W D	1	
	R37	RK73GB2A101J	MG RESISTOR	100Ω 1/10W J	1	
	R39	RK73GB2A102J	MG RESISTOR	1kΩ 1/10W J	1	
	R41	RK73GB2A472J	MG RESISTOR	4.7kΩ 1/10W J	1	
	R42	RK73GH2A513D	MG RESISTOR	51kΩ 1/10W D	1	
	R43	RK73GH2A223D	MG RESISTOR	22kΩ 1/10W D	1	
	R47	RK73GB2A101J	MG RESISTOR	100Ω 1/10W J	1	
	R49	RK73GB2A102J	MG RESISTOR	1kΩ 1/10W J	1	
	R51	RK73GB2A682J	MG RESISTOR	6.8kΩ 1/10W J	1	
	R52	RK73GH2A104D	MG RESISTOR	100kΩ 1/10W D	1	
	R53	RK73GH2A243D	MG RESISTOR	24kΩ 1/10W D	1	
	R71	RK73GB2A104J	MG RESISTOR	100kΩ 1/10W J	1	
	R72	RK73GH2A223D	MG RESISTOR	22kΩ 1/10W D	1	
	R73	RK73GB2A102J	MG RESISTOR	1kΩ 1/10W J	1	
	R81	RK73GB2A104J	MG RESISTOR	100kΩ 1/10W J	1	
	R82	RK73GH2A223D	MG RESISTOR	22kΩ 1/10W D	1	
	R83	RK73GB2A102J	MG RESISTOR	1kΩ 1/10W J	1	
	R111	RK73GH2A562D	MG RESISTOR	5.6kΩ 1/10W D	1	
	R112	RK73GH2A432D	MG RESISTOR	4.3kΩ 1/10W D	1	
	R113	RK73FB2B561J	MG RESISTOR	560Ω 1/8W J	1	
	R114	RK73FB2B4R7J	MG RESISTOR	4.7Ω 1/8W J	1	
	R115	RK73FB2B201J	MG RESISTOR	200Ω 1/8W J	1	
	R116	RK73FB2B152J	MG RESISTOR	1.5kΩ 1/8W J	1	

MODEL	MARK	MODEL	MARK
KDC-BT958HD	K1	KDC-X998	K0

Safe	Symbol No.	Parts No.	Parts Name	Description	QTY	Local
	R117	RK73FB2B432J	MG RESISTOR	4.3kΩ 1/8W J	1	
	R118	RK73GB2A103J	MG RESISTOR	10kΩ 1/10W J	1	
	R131	RK73GB2A473J	MG RESISTOR	47kΩ 1/10W J	1	
	R132	RK73GB2A104J	MG RESISTOR	100kΩ 1/10W J	1	
	R133	RK73GB2A103J	MG RESISTOR	10kΩ 1/10W J	1	
	R134	RK73FB2B683J	MG RESISTOR	68kΩ 1/8W J	1	
	R135	RK73EB2E203J	MG RESISTOR	20kΩ 1/4W J	1	
	R136	RK73GB2A103J	MG RESISTOR	10kΩ 1/10W J	1	
	R138	RK73EB2E102J	MG RESISTOR	1kΩ 1/4W J	1	
	R139	RK73EB2E102J	MG RESISTOR	1kΩ 1/4W J	1	
	R140	RK73EB2E102J	MG RESISTOR	1kΩ 1/4W J	1	
	R141	RK73GB2A103J	MG RESISTOR	10kΩ 1/10W J	1	
	R142	RK73GB2A103J	MG RESISTOR	10kΩ 1/10W J	1	
	R143	RK73EB2E333J	MG RESISTOR	33kΩ 1/4W J	1	
	R144	RK73GB2A223J	MG RESISTOR	22kΩ 1/10W J	1	
	R145	RK73GB2A104J	MG RESISTOR	100kΩ 1/10W J	1	
	R146	RK73EB2E471J	MG RESISTOR	470Ω 1/4W J	1	
	R147	RK73GB2A123J	MG RESISTOR	12kΩ 1/10W J	1	
	R148	RK73GB2A683J	MG RESISTOR	68kΩ 1/10W J	1	
	R150	RK73EB2E103J	MG RESISTOR	10kΩ 1/4W J	1	
	R151	RK73GB2A103J	MG RESISTOR	10kΩ 1/10W J	1	
	R153	RK73FB2B472J	MG RESISTOR	4.7kΩ 1/8W J	1	
	R154	RK73FB2B472J	MG RESISTOR	4.7kΩ 1/8W J	1	
	R156	RK73GB2A000J	MG RESISTOR	0Ω 1/10W J	1	
	R158	RK73GB2A104J	MG RESISTOR	100kΩ 1/10W J	1	
	R159	RK73GB2A363J	MG RESISTOR	36kΩ 1/10W J	1	
	R160	RK73GB2A104J	MG RESISTOR	100kΩ 1/10W J	1	
	R201	RK73GB2A473J	MG RESISTOR	47kΩ 1/10W J	1	
	R203	RK73GB2A182J	MG RESISTOR	1.8kΩ 1/10W J	1	
	R204	RK73GB2A6R8J	MG RESISTOR	6.8Ω 1/10W J	1	
	R205	RK73GB2A473J	MG RESISTOR	47kΩ 1/10W J	1	
	R206	RK73GB2A331J	MG RESISTOR	330Ω 1/10W J	1	
	R207	RK73GB2A622J	MG RESISTOR	6.2kΩ 1/10W J	1	
	R208	RK73GB2A000J	MG RESISTOR	0Ω 1/10W J	1	
	R210	RK73GB2A000J	MG RESISTOR	0Ω 1/10W J	1	
	R231	RK73GB2A331J	MG RESISTOR	330Ω 1/10W J	1	
	R232	RK73GB2A331J	MG RESISTOR	330Ω 1/10W J	1	
	R233	RK73GB2A223J	MG RESISTOR	22kΩ 1/10W J	1	
	R234	RK73GB2A223J	MG RESISTOR	22kΩ 1/10W J	1	
	R235	RK73FB2B181J	MG RESISTOR	180Ω 1/8W J	1	
	R236	RK73FB2B181J	MG RESISTOR	180Ω 1/8W J	1	
	R237	RK73GB2A331J	MG RESISTOR	330Ω 1/10W J	1	
	R238	RK73GB2A331J	MG RESISTOR	330Ω 1/10W J	1	
	R239	RK73GB2A223J	MG RESISTOR	22kΩ 1/10W J	1	
	R240	RK73GB2A223J	MG RESISTOR	22kΩ 1/10W J	1	
	R241	RK73FB2B181J	MG RESISTOR	180Ω 1/8W J	1	
	R242	RK73FB2B181J	MG RESISTOR	180Ω 1/8W J	1	
	R243	RK73GB2A331J	MG RESISTOR	330Ω 1/10W J	1	
	R244	RK73GB2A331J	MG RESISTOR	330Ω 1/10W J	1	
	R245	RK73GB2A223J	MG RESISTOR	22kΩ 1/10W J	1	
	R246	RK73GB2A223J	MG RESISTOR	22kΩ 1/10W J	1	
	R247	RK73FB2B181J	MG RESISTOR	180Ω 1/8W J	1	
	R248	RK73FB2B181J	MG RESISTOR	180Ω 1/8W J	1	
	R350	RK73GB2A101J	MG RESISTOR	100Ω 1/10W J	1	
	R351	RK73GB2A101J	MG RESISTOR	100Ω 1/10W J	1	
	R352	RK73GB2A101J	MG RESISTOR	100Ω 1/10W J	1	
	R354	RK73GB2A101J	MG RESISTOR	100Ω 1/10W J	1	
	R369	RK73GB2A101J	MG RESISTOR	100Ω 1/10W J	1	
	R370	RK73GB2A101J	MG RESISTOR	100Ω 1/10W J	1	
	R371	RK73GB2A101J	MG RESISTOR	100Ω 1/10W J	1	
	R372	RK73GB2A101J	MG RESISTOR	100Ω 1/10W J	1	
	R388	RK73GB2A000J	MG RESISTOR	0Ω 1/10W J	1	
	R390	RK73GB2A1R0J	MG RESISTOR	1Ω 1/10W J	1	
	R394	RK73GB2A1R0J	MG RESISTOR	1Ω 1/10W J	1	
	R395	RK73GB2A1R0J	MG RESISTOR	1Ω 1/10W J	1	
	R397	RK73GB2A1R0J	MG RESISTOR	1Ω 1/10W J	1	
	R401	RK73EB2E101J	MG RESISTOR	100Ω 1/4W J	1	
	R402	RK73EB2E101J	MG RESISTOR	100Ω 1/4W J	1	
	R403	RK73GB2A473J	MG RESISTOR	47kΩ 1/10W J	1	
	R405	RK73GB2A473J	MG RESISTOR	47kΩ 1/10W J	1	
	R406	RK73GB2A122J	MG RESISTOR	1.2kΩ 1/10W J	1	
	R407	RK73GB2A122J	MG RESISTOR	1.2kΩ 1/10W J	1	
	R409	RK73GB2A102J	MG RESISTOR	1kΩ 1/10W J	1	
	R411	RK73GB2A220J	MG RESISTOR	22Ω 1/10W J	1	
	R412	RK73GB2A222J	MG RESISTOR	2.2kΩ 1/10W J	1	
	R425	RK73GB2A471J	MG RESISTOR	470Ω 1/10W J	1	
	R426	RK73GB2A471J	MG RESISTOR	470Ω 1/10W J	1	
	R428	RK73GB2A472J	MG RESISTOR	4.7kΩ 1/10W J	1	
	R430	RK73GB2A472J	MG RESISTOR	4.7kΩ 1/10W J	1	
	R436	RK73GB2A471J	MG RESISTOR	470Ω 1/10W J	1	
	R439	RK73GB2A1R0J	MG RESISTOR	1Ω 1/10W J	1	
	R461	RK73GB2A103J	MG RESISTOR	10kΩ 1/10W J	1	
	R462	RK73GB2A103J	MG RESISTOR	10kΩ 1/10W J	1	
	R463	RK73EB2E100J	MG RESISTOR	10Ω 1/4W J	1	
	R464	RK73EB2E100J	MG RESISTOR	10Ω 1/4W J	1	
	R465	RK73EB2E4R7J	MG RESISTOR	4.7Ω 1/4W J	1	
	R467	RK73EB2E221J	MG RESISTOR	220Ω 1/4W J	1	
	R468	RK73GB2A101J	MG RESISTOR	100Ω 1/10W J	1	
	R469	RK73EB2E101J	MG RESISTOR	100Ω 1/4W J	1	
	R470	RK73EB2E221J	MG RESISTOR	220Ω 1/4W J	1	
	R471	RK73GB2A473J	MG RESISTOR	47kΩ 1/10W J	1	
	R475	RK73GB2A221J	MG RESISTOR	220Ω 1/10W J	1	



MODEL	MARK	MODEL	MARK
KDC-BT958HD	K1	KDC-X998	K0

Safe	Symbol No.	Parts No.	Parts Name	Description	QTY	Local
	R476	RK73GB2A221J	MG RESISTOR	220Ω 1/10W J	1	
	R477	RK73GB2A221J	MG RESISTOR	220Ω 1/10W J	1	
	R511	RK73GB2A100J	MG RESISTOR	10Ω 1/10W J	1	
	R512	RK73GB2A100J	MG RESISTOR	10Ω 1/10W J	1	
	R513	RK73GB2A103J	MG RESISTOR	10kΩ 1/10W J	1	
	R514	RK73GB2A103J	MG RESISTOR	10kΩ 1/10W J	1	
	R515	RK73GB2A4R7J	MG RESISTOR	4.7Ω 1/10W J	1	
	R516	RK73GB2A102J	MG RESISTOR	1kΩ 1/10W J	1	
	R521	RK73GB2A100J	MG RESISTOR	10Ω 1/10W J	1	
	R522	RK73GB2A100J	MG RESISTOR	10Ω 1/10W J	1	
	R523	RK73GB2A153J	MG RESISTOR	15kΩ 1/10W J	1	
	R524	RK73GB2A153J	MG RESISTOR	15kΩ 1/10W J	1	
	R531	RK73GB2A100J	MG RESISTOR	10Ω 1/10W J	1	
	R532	RK73GB2A100J	MG RESISTOR	10Ω 1/10W J	1	
	R533	RK73GB2A153J	MG RESISTOR	15kΩ 1/10W J	1	
	R534	RK73GB2A153J	MG RESISTOR	15kΩ 1/10W J	1	
	R535	RK73GB2A220J	MG RESISTOR	22Ω 1/10W J	1	
	R536	RK73GB2A220J	MG RESISTOR	22Ω 1/10W J	1	
	R622	RK73GB2A103J	MG RESISTOR	10kΩ 1/10W J	1	
	R623	RK73GB2A472J	MG RESISTOR	4.7kΩ 1/10W J	1	
	R651	RK73GB2A101J	MG RESISTOR	100Ω 1/10W J	1	
	R652	RK73GB2A101J	MG RESISTOR	100Ω 1/10W J	1	
	R653	RK73GB2A101J	MG RESISTOR	100Ω 1/10W J	1	
	R654	RK73GB2A101J	MG RESISTOR	100Ω 1/10W J	1	
	R655	RK73GB2A101J	MG RESISTOR	100Ω 1/10W J	1	
	R656	RK73GB2A101J	MG RESISTOR	100Ω 1/10W J	1	
	R660	RK73GB2A150J	MG RESISTOR	15Ω 1/10W J	1	
	R701	RK73GB2A101J	MG RESISTOR	100Ω 1/10W J	1	
	R702	RK73GB2A101J	MG RESISTOR	100Ω 1/10W J	1	
	R703	RK73GB2A101J	MG RESISTOR	100Ω 1/10W J	1	
	R704	RK73GB2A101J	MG RESISTOR	100Ω 1/10W J	1	
	R705	RK73GB2A101J	MG RESISTOR	100Ω 1/10W J	1	
	R706	RK73GB2A101J	MG RESISTOR	100Ω 1/10W J	1	
	R707	RK73GB2A101J	MG RESISTOR	100Ω 1/10W J	1	
	R708	RK73GB2A101J	MG RESISTOR	100Ω 1/10W J	1	
	R709	RK73GB2A101J	MG RESISTOR	100Ω 1/10W J	1	
	R710	RK73GB2A101J	MG RESISTOR	100Ω 1/10W J	1	
	R711	RK73GB2A101J	MG RESISTOR	100Ω 1/10W J	1	
	R712	RK73GB2A101J	MG RESISTOR	100Ω 1/10W J	1	
	R713	RK73GB2A101J	MG RESISTOR	100Ω 1/10W J	1	
	R714	RK73GB2A102J	MG RESISTOR	1kΩ 1/10W J	1	
	R715	RK73GB2A101J	MG RESISTOR	100Ω 1/10W J	1	
	R716	RK73GB2A102J	MG RESISTOR	1kΩ 1/10W J	1	
	R717	RK73GB2A473J	MG RESISTOR	47kΩ 1/10W J	1	
	R718	RK73GB2A473J	MG RESISTOR	47kΩ 1/10W J	1	
	R719	RK73GB2A222J	MG RESISTOR	2.2kΩ 1/10W J	1	
	R720	RK73GB2A222J	MG RESISTOR	2.2kΩ 1/10W J	1	
	R721	RK73GB2A222J	MG RESISTOR	2.2kΩ 1/10W J	1	
	R724	RK73GB2A223J	MG RESISTOR	22kΩ 1/10W J	1	
	R725	RK73GB2A471J	MG RESISTOR	470Ω 1/10W J	1	
	R726	RK73GB2A223J	MG RESISTOR	22kΩ 1/10W J	1	
	R727	RK73GB2A103J	MG RESISTOR	10kΩ 1/10W J	1	
	R802	RK73GB2A473J	MG RESISTOR	47kΩ 1/10W J	1	
	R803	RK73GB2A223J	MG RESISTOR	22kΩ 1/10W J	1	
	R804	RK73GB2A473J	MG RESISTOR	47kΩ 1/10W J	1	
	R804	RK73GB2A223J	MG RESISTOR	22kΩ 1/10W J	1	K1
	R806	RK73GB2A473J	MG RESISTOR	47kΩ 1/10W J	1	K0
	R807	RK73GB2A473J	MG RESISTOR	47kΩ 1/10W J	1	
	R809	RK73GB2A473J	MG RESISTOR	47kΩ 1/10W J	1	
	R810	RK73GB2A473J	MG RESISTOR	47kΩ 1/10W J	1	
	R811	RK73GB2A473J	MG RESISTOR	47kΩ 1/10W J	1	
	R812	RK73GB2A473J	MG RESISTOR	47kΩ 1/10W J	1	
	R813	RK73HB1J473J	MG RESISTOR	47kΩ 1/16W J	1	
	R815	RK73GB2A104J	MG RESISTOR	100kΩ 1/10W J	1	
	R816	RK73GB2A104J	MG RESISTOR	100kΩ 1/10W J	1	
	R817	RK73GB2A104J	MG RESISTOR	100kΩ 1/10W J	1	
	R818	RK73GB2A104J	MG RESISTOR	100kΩ 1/10W J	1	
	R827	RK73GB2A101J	MG RESISTOR	100Ω 1/10W J	1	
	R828	RK73GB2A101J	MG RESISTOR	100Ω 1/10W J	1	
	R831	RK73GB2A473J	MG RESISTOR	47kΩ 1/10W J	1	
	R835	RK73GB2A473J	MG RESISTOR	47kΩ 1/10W J	1	
	R836	RK73GB2A104J	MG RESISTOR	100kΩ 1/10W J	1	
	R841	RK73GB2A332J	MG RESISTOR	3.3kΩ 1/10W J	1	
	R842	RK73GB2A105J	MG RESISTOR	1MΩ 1/10W J	1	
	R845	RK73GB2A473J	MG RESISTOR	47kΩ 1/10W J	1	
	R846	RK73GB2A102J	MG RESISTOR	1kΩ 1/10W J	1	
	R851	RK73HB1J332J	MG RESISTOR	3.3kΩ 1/16W J	1	
	R852	RK73HB1J332J	MG RESISTOR	3.3kΩ 1/16W J	1	
	R861	RK73HB1J332J	MG RESISTOR	3.3kΩ 1/16W J	1	
	R862	RK73HB1J332J	MG RESISTOR	3.3kΩ 1/16W J	1	
	R863	RK73HB1J223J	MG RESISTOR	22kΩ 1/16W J	1	
	R865	RK73HB1J103J	MG RESISTOR	10kΩ 1/16W J	1	
	R901	RK73EB2E222J	MG RESISTOR	2.2kΩ 1/4W J	1	
	R902	RK73EB2E102J	MG RESISTOR	1kΩ 1/4W J	1	
	R903	RK73EB2E102J	MG RESISTOR	1kΩ 1/4W J	1	
	R904	RK73EB2E102J	MG RESISTOR	1kΩ 1/4W J	1	
	R905	RK73EB2E102J	MG RESISTOR	1kΩ 1/4W J	1	
	R906	RK73EB2E102J	MG RESISTOR	1kΩ 1/4W J	1	
	R907	RK73EB2E102J	MG RESISTOR	1kΩ 1/4W J	1	
	R908	RK73EB2E102J	MG RESISTOR	1kΩ 1/4W J	1	
	R909	RK73EB2E102J	MG RESISTOR	1kΩ 1/4W J	1	
	R910	RK73GB2A473J	MG RESISTOR	47kΩ 1/10W J	1	

MODEL	MARK	MODEL	MARK
KDC-BT958HD	K1	KDC-X998	K0

Safe	Symbol No.	Parts No.	Parts Name	Description	QTY	Local
	R911	RK73GB2A473J	MG RESISTOR	47kΩ 1/10W J	1	
	R912	RK73GB2A473J	MG RESISTOR	47kΩ 1/10W J	1	
	R913	RK73GB2A473J	MG RESISTOR	47kΩ 1/10W J	1	
	R914	RK73GB2A104J	MG RESISTOR	100kΩ 1/10W J	1	
	L32	L33-3213-05	CHOKO COIL		1	
	L42	QQLA1AM-220	COIL	22uH M	1	
	L52	L33-3203-05	CHOKO COIL		1	
	L131	QQR1909-001	CHOKO COIL		1	
	L380	L92-0639-05	CHIP FERRITE		1	
	L381	L92-0639-05	CHIP FERRITE		1	
	L401	L92-0652-05	CHIP FERRITE		1	
	L402	L41-4792-67	SMALL FIXED INDUCTOR		1	
	L403	L92-1008-05	CHIP FERRITE		1	
	L404	L92-1008-05	CHIP FERRITE		1	
	L521	L92-1009-05	CHIP FERRITE		1	
	L531	L92-1009-05	CHIP FERRITE		1	
	L641	L41-4792-67	SMALL FIXED INDUCTOR		1	
	L831	L92-1011-05	CHIP FERRITE		1	
	L931	L92-1008-05	CHIP FERRITE		1	
	A301	X86-4320-12	TUNER UNIT		1	
	CN401	E41-1699-05	PIN ASSY		1	
	CN531	E41-1701-05	PIN ASSY		1	
	CN701	QGF1030F3-26X	CONNECTOR	FFC/FPC (1-26)	1	
	CP831	RK74GB1J101J	NET RESISTOR	100Ω 1/16W J	1	
	F111	F53-0298-05	FUSE		1	
△	J131	E58-0991-05	RECTANGULAR RECEPTACLE		1	
	J231	QNN0866-001	PIN JACK		1	
	J461	QNZ0907-001	CIR CONNECTOR		1	
	J901	E58-1124-05	R.RECEPTACLE		1	
	S841	S70-0959-05	TACTILE PUSH SW		1	
	TH201	NAD0052-471X	P THERMISTOR	470Ω	1	
	W301	E30-8318-05	CORD WITH PLUG		1	
	X651	L77-3874-05	QUARTZ CRYSTAL		1	
	X841	L77-3846-05	QUARTZ CRYSTAL		1	
SWITCH UNIT (X16-7450-11) <X16>						
	IC1	W10-0879-08	IC		1	
	IC2	PIC95603	IC		1	
	Q1	LTC043ZUBFS8	DIGI TRANSISTOR		1	
	Q2	LTC023JUBFS8	DIGI TRANSISTOR		1	
	Q3	LTC023JUBFS8	DIGI TRANSISTOR		1	
	Q4	LTC043ZUBFS8	DIGI TRANSISTOR		1	
	Q5	LTC023JUBFS8	DIGI TRANSISTOR		1	
	Q6	LTC043ZUBFS8	DIGI TRANSISTOR		1	
	Q7	LTC023JUBFS8	DIGI TRANSISTOR		1	
	Q8	LTC023JUBFS8	DIGI TRANSISTOR		1	
	Q9	LTC023JUBFS8	DIGI TRANSISTOR		1	
	Q10	LTC023JUBFS8	DIGI TRANSISTOR		1	
	Q11	LTC023JUBFS8	DIGI TRANSISTOR		1	
	Q12	LTC023JUBFS8	DIGI TRANSISTOR		1	
	D10	B30-1779-05	LED		1	
	D15	B30-3259-05	LED		1	
	D17	B30-1779-05	LED		1	
	D18	B30-1788-05	LED	1608 WHITE	1	
	D19	B30-3259-05	LED		1	
	D21	B30-3259-05	LED		1	
	D22	B30-3259-05	LED		1	
	D23	B30-3259-05	LED		1	
	D24	B30-3259-05	LED		1	
	C3	CK73GB1H472K	C CAPACITOR	4700pF 50V K	1	
	C4	CC73GCH1H101J	C CAPACITOR	100pF 50V J	1	
	C5	CC73GCH1H101J	C CAPACITOR	100pF 50V J	1	
	C6	CK73GB1H103K	C CAPACITOR	0.01uF 50V K	1	
	C9	CK73HB1E103K	C CAPACITOR	0.01uF 25V K	1	
	C10	CK73HB1E103K	C CAPACITOR	0.01uF 25V K	1	
	C11	CK73GB0J225K	C CAPACITOR	2.2uF 6.3V K	1	
	C12	CK73GB1H103K	C CAPACITOR	0.01uF 50V K	1	
	C14	CK73HB0J105K	C CAPACITOR	1uF 6.3V K	1	
	C15	CK73FB1C106K	C CAPACITOR	10uF 16V K	1	
	C16	CK73FB1C105K	C CAPACITOR	1uF 16V K	1	
	C18	CK73FB1C105K	C CAPACITOR	1uF 16V K	1	
	C19	CK73GB1A105K	C CAPACITOR	1uF 10V K	1	
	C20	CK73GB1A105K	C CAPACITOR	1uF 10V K	1	
	C21	CK73HB0J105K	C CAPACITOR	1uF 6.3V K	1	
	C22	CK73HB0J105K	C CAPACITOR	1uF 6.3V K	1	
	C23	CK73GB1A105K	C CAPACITOR	1uF 10V K	1	
	C24	CK73GB1A105K	C CAPACITOR	1uF 10V K	1	
	C25	CK73FB1C105K	C CAPACITOR	1uF 16V K	1	
	R5	RK73HB1J220J	MG RESISTOR	22Ω 1/16W J	1	
	R6	RK73HB1J220J	MG RESISTOR	22Ω 1/16W J	1	
	R9	RK73GB2A473J	MG RESISTOR	47kΩ 1/10W J	1	
	R10	RK73HB1J102J	MG RESISTOR	1kΩ 1/16W J	1	
	R11	RK73HB1J102J	MG RESISTOR	1kΩ 1/16W J	1	
	R13	RK73GB2A102J	MG RESISTOR	1kΩ 1/10W J	1	
	R14	RK73GB2A105J	MG RESISTOR	1MΩ 1/10W J	1	
	R15	RK73HB1J333J	MG RESISTOR	33kΩ 1/16W J	1	
	R16	RK73GB2A103J	MG RESISTOR	10kΩ 1/10W J	1	
	R18	RK73EB2E821J	MG RESISTOR	820Ω 1/4W J	1	
	R19	RK73HB1J101J	MG RESISTOR	100Ω 1/16W J	1	
	R28	RK73EB2E681J	MG RESISTOR	680Ω 1/4W J	1	
	R29	RK73EB2E681J	MG RESISTOR	680Ω 1/4W J	1	
	R31	RK73EB2E821J	MG RESISTOR	820Ω 1/4W J	1	

MODEL	MARK	MODEL	MARK
KDC-BT958HD	K1	KDC-X998	K0

Safe	Symbol No.	Parts No.	Parts Name	Description	QTY	Local
R32		RK73EB2E561J	MG RESISTOR	560Ω 1/4W J	1	
R35		RK73GB2A202J	MG RESISTOR	2kΩ 1/10W J	1	
R36		RK73HB1J101J	MG RESISTOR	100Ω 1/16W J	1	
R37		RK73HB1J102J	MG RESISTOR	1kΩ 1/16W J	1	
R39		RK73GB2A621J	MG RESISTOR	620Ω 1/10W J	1	
R40		RK73GB2A621J	MG RESISTOR	620Ω 1/10W J	1	
R41		RK73FB2B681J	MG RESISTOR	680Ω 1/8W J	1	
R42		RK73FB2B911J	MG RESISTOR	910Ω 1/8W J	1	
R43		RK73GB2A621J	MG RESISTOR	620Ω 1/10W J	1	
R44		RK73GB2A112J	MG RESISTOR	1.1kΩ 1/10W J	1	
R45		RK73GB2A621J	MG RESISTOR	620Ω 1/10W J	1	
R46		RK73EB2E911J	MG RESISTOR	910Ω 1/4W J	1	
R47		RK73FB2B681J	MG RESISTOR	680Ω 1/8W J	1	
R48		RK73HB1J101J	MG RESISTOR	100Ω 1/16W J	1	
R49		RK73HB1J473J	MG RESISTOR	47kΩ 1/16W J	1	
CN1		E41-3246-05	FLAT CABLE CONNECTOR		1	
CP1		RK74HB1J223J	NET RESISTOR	22kΩ 1/16W J	1	
CP3		RK74HB1J223J	NET RESISTOR	22kΩ 1/16W J	1	
CP5		RK74HB1J473J	NET RESISTOR	47kΩ 1/16W J	1	
CP6		RK74HB1J101J	NET RESISTOR	100Ω 1/16W J	1	
CP8		RK74HB1J332J	NET RESISTOR	3.3kΩ 1/16W J	1	
CP9		RK74HB1J102J	NET RESISTOR	1kΩ 1/16W J	1	
J1		QNZ1076-001	USB CONNECTOR		1	
J2		QNS0320-001	3.5 JACK		1	
J3		QGZ1102K3-20X	CONNECTOR	(1-20)	1	
S1		S70-0960-05	TACTILE PUSH SW		1	
S2		S70-0960-05	TACTILE PUSH SW		1	
S3		S70-0960-05	TACTILE PUSH SW		1	
S4		S70-0960-05	TACTILE PUSH SW		1	
S5		T99-0484-05	ROTARY ENCODER		1	
S6		S70-0960-05	TACTILE PUSH SW		1	
S7		S70-0960-05	TACTILE PUSH SW		1	
S8		S70-0960-05	TACTILE PUSH SW		1	
S9		S70-0960-05	TACTILE PUSH SW		1	
X1		L78-1211-05	RESONATOR		1	
BLUETOOTH UNIT (X17-2220-11) <X17>						
IC2		AK4387ET	IC		1	
IC3		BU18TD3WG	IC		1	
IC4		BA4560RFV	IC		1	
IC5		TCC860000XEAU	IC		1	
IC6		E29LV32BT73F8	IC		1	
IC7		EM639165TS61G	IC		1	
C1		CC73HCH1H331J	C CAPACITOR	330pF 50V J	1	
C2		CK73GB1A105K	C CAPACITOR	1uF 10V K	1	
C5		CK73HB1H102K	C CAPACITOR	1000pF 50V K	1	
C6		CK73HB0J105K	C CAPACITOR	1uF 6.3V K	1	
C7		CK73HB0J105K	C CAPACITOR	1uF 6.3V K	1	
C8		CK73GB0J475K	C CAPACITOR	4.7uF 6.3V K	1	
C9		CK73HB1H471K	C CAPACITOR	470pF 50V K	1	
C10		CK73HB1H471K	C CAPACITOR	470pF 50V K	1	
C11		CC73HCH1H220J	C CAPACITOR	22pF 50V J	1	
C12		CK73GB1A105K	C CAPACITOR	1uF 10V K	1	
C13		CK73HB1A104K	C CAPACITOR	0.1uF 10V K	1	
C14		CK73HB1A104K	C CAPACITOR	0.1uF 10V K	1	
C16		CK73HB1C333K	C CAPACITOR	0.033uF 16V K	1	
C17		CK73GB0J475K	C CAPACITOR	4.7uF 6.3V K	1	
C18		CK73FB0J106K	C CAPACITOR	10uF 6.3V K	1	
C19		CK73FB0J106K	C CAPACITOR	10uF 6.3V K	1	
C20		CK73HB1H222K	C CAPACITOR	2200pF 50V K	1	
C21		CK73HB1C333K	C CAPACITOR	0.033uF 16V K	1	
C22		CK73HB1H222K	C CAPACITOR	2200pF 50V K	1	
C23		CK73HB1A104K	C CAPACITOR	0.1uF 10V K	1	
C24		CK73HB1A104K	C CAPACITOR	0.1uF 10V K	1	
C25		CK73HB1A104K	C CAPACITOR	0.1uF 10V K	1	
C26		CK73HB1H122K	C CAPACITOR	1200pF 50V K	1	
C27		CC73HCH1H180J	C CAPACITOR	18pF 50V J	1	
C28		CC73HCH1H331J	C CAPACITOR	330pF 50V J	1	
C29		CK73HB1A104K	C CAPACITOR	0.1uF 10V K	1	
C30		CK73HB1A104K	C CAPACITOR	0.1uF 10V K	1	
C31		CK73HB1A104K	C CAPACITOR	0.1uF 10V K	1	
C32		CK73HB1E103K	C CAPACITOR	0.01uF 25V K	1	
C33		CK73HB0J105K	C CAPACITOR	1uF 6.3V K	1	
C34		CK73HB1A104K	C CAPACITOR	0.1uF 10V K	1	
C35		CK73HB1A104K	C CAPACITOR	0.1uF 10V K	1	
C36		CC73HCH1H100D	C CAPACITOR	10pF 50V D	1	
C37		CC73HCH1H100D	C CAPACITOR	10pF 50V D	1	
C38		CK73HB1A104K	C CAPACITOR	0.1uF 10V K	1	
C39		CK73HB1A104K	C CAPACITOR	0.1uF 10V K	1	
C40		CK73HB1A104K	C CAPACITOR	0.1uF 10V K	1	
C41		CK73HB1A104K	C CAPACITOR	0.1uF 10V K	1	
C42		CK73HB1A104K	C CAPACITOR	0.1uF 10V K	1	
C43		CK73HB1A104K	C CAPACITOR	0.1uF 10V K	1	
C44		CK73HB1A104K	C CAPACITOR	0.1uF 10V K	1	
C45		CK73HB1A104K	C CAPACITOR	0.1uF 10V K	1	
C46		CK73HB1A104K	C CAPACITOR	0.1uF 10V K	1	
C47		CK73HB1A104K	C CAPACITOR	0.1uF 10V K	1	
C48		CK73HB1A104K	C CAPACITOR	0.1uF 10V K	1	
C49		CK73GB0J475K	C CAPACITOR	4.7uF 6.3V K	1	
C50		CK73HB1A104K	C CAPACITOR	0.1uF 10V K	1	
C51		CK73FB0J106K	C CAPACITOR	10uF 6.3V K	1	
C52		CK73HB1A104K	C CAPACITOR	0.1uF 10V K	1	
C53		CK73HB1A104K	C CAPACITOR	0.1uF 10V K	1	

MODEL	MARK	MODEL	MARK
KDC-BT958HD	K1	KDC-X998	K0

Safe	Symbol No.	Parts No.	Parts Name	Description	QTY	Local
	C54	CK73HB1A104K	C CAPACITOR	0.1uF 10V K	1	
	C55	CK73HB1A104K	C CAPACITOR	0.1uF 10V K	1	
	C56	CK73HB1A104K	C CAPACITOR	0.1uF 10V K	1	
	C57	CK73HB1A104K	C CAPACITOR	0.1uF 10V K	1	
	C58	CK73HB1A104K	C CAPACITOR	0.1uF 10V K	1	
	R1	RK73HB1J000J	MG RESISTOR	0Ω 1/16W J	1	
	R2	RK73HB1J000J	MG RESISTOR	0Ω 1/16W J	1	
	R3	RK73HB1J000J	MG RESISTOR	0Ω 1/16W J	1	
	R5	RK73HB1J000J	MG RESISTOR	0Ω 1/16W J	1	
	R6	RK73HB1J103J	MG RESISTOR	10kΩ 1/16W J	1	
	R7	RK73HB1J103J	MG RESISTOR	10kΩ 1/16W J	1	
	R9	RK73HB1J470J	MG RESISTOR	47Ω 1/16W J	1	
	R10	RK73HB1J470J	MG RESISTOR	47Ω 1/16W J	1	
	R11	RK73HB1J470J	MG RESISTOR	47Ω 1/16W J	1	
	R12	RK73HB1J470J	MG RESISTOR	47Ω 1/16W J	1	
	R14	RK73HB1J122J	MG RESISTOR	1.2kΩ 1/16W J	1	
	R15	RK73HB1J122J	MG RESISTOR	1.2kΩ 1/16W J	1	
	R16	RK73HB1J124J	MG RESISTOR	120kΩ 1/16W J	1	
	R17	RK73HB1J124J	MG RESISTOR	120kΩ 1/16W J	1	
	R18	RK73HB1J333J	MG RESISTOR	33kΩ 1/16W J	1	
	R19	RK73HB1J471J	MG RESISTOR	470Ω 1/16W J	1	
	R20	RK73HB1J103J	MG RESISTOR	10kΩ 1/16W J	1	
	R21	RK73HB1J822J	MG RESISTOR	8.2kΩ 1/16W J	1	
	R22	RK73HB1J471J	MG RESISTOR	470Ω 1/16W J	1	
	R23	RK73HB1J103J	MG RESISTOR	10kΩ 1/16W J	1	
	R24	RK73HB1J472J	MG RESISTOR	4.7kΩ 1/16W J	1	
	R25	RK73HB1J153J	MG RESISTOR	15kΩ 1/16W J	1	
	R26	RK73HB1J153J	MG RESISTOR	15kΩ 1/16W J	1	
	R27	RK73HB1J472J	MG RESISTOR	4.7kΩ 1/16W J	1	
	R28	RK73HB1J472J	MG RESISTOR	4.7kΩ 1/16W J	1	
	R29	RK73HB1J472J	MG RESISTOR	4.7kΩ 1/16W J	1	
	R32	RK73GB2A000J	MG RESISTOR	0Ω 1/10W J	1	
	R33	RK73GB2A4R7J	MG RESISTOR	4.7Ω 1/10W J	1	
	R34	RK73HB1J000J	MG RESISTOR	0Ω 1/16W J	1	
	R35	RK73HB1J153J	MG RESISTOR	15kΩ 1/16W J	1	
	R36	RK73HB1J153J	MG RESISTOR	15kΩ 1/16W J	1	
	R37	RK73HB1J220J	MG RESISTOR	22Ω 1/16W J	1	
	R38	RK73HB1J220J	MG RESISTOR	22Ω 1/16W J	1	
	R39	RK73HB1J220J	MG RESISTOR	22Ω 1/16W J	1	
	R40	RK73HB1J220J	MG RESISTOR	22Ω 1/16W J	1	
	R41	RK73HB1J470J	MG RESISTOR	47Ω 1/16W J	1	
	R42	RK73HB1J223J	MG RESISTOR	22kΩ 1/16W J	1	
	R43	RK73HB1J223J	MG RESISTOR	22kΩ 1/16W J	1	
	R44	RK73HB1J330J	MG RESISTOR	33Ω 1/16W J	1	
	R45	RK73HB1J330J	MG RESISTOR	33Ω 1/16W J	1	
	R50	RK73HB1J470J	MG RESISTOR	47Ω 1/16W J	1	
	R51	RK73HB1J470J	MG RESISTOR	47Ω 1/16W J	1	
	R52	RK73HB1J472J	MG RESISTOR	4.7kΩ 1/16W J	1	
	R53	RK73HB1J472J	MG RESISTOR	4.7kΩ 1/16W J	1	
	R54	RK73HB1J472J	MG RESISTOR	4.7kΩ 1/16W J	1	
	R55	RK73HB1J472J	MG RESISTOR	4.7kΩ 1/16W J	1	
	R56	RK73HB1J472J	MG RESISTOR	4.7kΩ 1/16W J	1	
	R58	RK73HB1J470J	MG RESISTOR	47Ω 1/16W J	1	
	R59	RK73HB1J470J	MG RESISTOR	47Ω 1/16W J	1	
	R60	RK73HB1J470J	MG RESISTOR	47Ω 1/16W J	1	
	R61	RK73HB1J223J	MG RESISTOR	22kΩ 1/16W J	1	
	R62	RK73HB1J102J	MG RESISTOR	1kΩ 1/16W J	1	
	R63	RK73HB1J102J	MG RESISTOR	1kΩ 1/16W J	1	
	R64	RK73HB1J105J	MG RESISTOR	1MΩ 1/16W J	1	
	R65	RK73HB1J332J	MG RESISTOR	3.3kΩ 1/16W J	1	
	R66	RK73HB1J472J	MG RESISTOR	4.7kΩ 1/16W J	1	
	R67	RK73HB1J470J	MG RESISTOR	47Ω 1/16W J	1	
	R68	RK73HB1J472J	MG RESISTOR	4.7kΩ 1/16W J	1	
	R69	RK73HB1J470J	MG RESISTOR	47Ω 1/16W J	1	
	R70	RK73GB2A000J	MG RESISTOR	0Ω 1/10W J	1	
	R71	RK73HB1J470J	MG RESISTOR	47Ω 1/16W J	1	
	R72	RK73GB2A000J	MG RESISTOR	0Ω 1/10W J	1	
	R73	RK73GB2A000J	MG RESISTOR	0Ω 1/10W J	1	
	R74	RK73HB1J472J	MG RESISTOR	4.7kΩ 1/16W J	1	
	R76	RK73HB1J104J	MG RESISTOR	100kΩ 1/16W J	1	
	R77	RK73HB1J000J	MG RESISTOR	0Ω 1/16W J	1	
	R78	RK73HB1J102J	MG RESISTOR	1kΩ 1/16W J	1	
	R79	RK73HB1J473J	MG RESISTOR	47kΩ 1/16W J	1	
	R80	RK73HB1J473J	MG RESISTOR	47kΩ 1/16W J	1	
	R81	RK73HB1J470J	MG RESISTOR	47Ω 1/16W J	1	
	R82	RK73HB1J472J	MG RESISTOR	4.7kΩ 1/16W J	1	
	R83	RK73HB1J470J	MG RESISTOR	47Ω 1/16W J	1	
	R87	RK73HB1J000J	MG RESISTOR	0Ω 1/16W J	1	
	R88	RK73HB1J000J	MG RESISTOR	0Ω 1/16W J	1	
	R89	RK73HB1J104J	MG RESISTOR	100kΩ 1/16W J	1	
	R90	RK73HB1J104J	MG RESISTOR	100kΩ 1/16W J	1	
	R91	RK73GB2A000J	MG RESISTOR	0Ω 1/10W J	1	
	R93	RK73HB1J223J	MG RESISTOR	22kΩ 1/16W J	1	
	A1	W02-5568-05	CIRCUIT MODULE		1	
	CN1	E41-3376-05	SOCKET FOR PIN ASSY		1	
	X1	L77-3873-05	QUARTZ CRYSTAL		1	
	CD PLAYER UNIT (X32-6560-00) IN CD MECHA <X32>					
	IC1	JCV8032	IC		1	
	IC2	BD8222EFV	IC		1	
	IC4	XC6213B152N-G	IC		1	

MODEL	MARK	MODEL	MARK
KDC-BT958HD	K1	KDC-X998	K0

Safe	Symbol No.	Parts No.	Parts Name	Description	QTY	Local
Q1		2SA2188-T1(E)	TRANSISTOR		1	
C1		CK73HB1A104K	C CAPACITOR	0.1uF 10V K	1	
C2		CK73FB0J106K	C CAPACITOR	10uF 6.3V K	1	
C3		CK73HB1A104K	C CAPACITOR	0.1uF 10V K	1	
C4		CK73HB0J105K	C CAPACITOR	1uF 6.3V K	1	
C5		CC73HCH1H680J	C CAPACITOR	68pF 50V J	1	
C6		CK73HB1H332K	C CAPACITOR	3300pF 50V K	1	
C7		CK73HB1H222K	C CAPACITOR	2200pF 50V K	1	
C8		CK73HB1A104K	C CAPACITOR	0.1uF 10V K	1	
C9		CK73HB0J105K	C CAPACITOR	1uF 6.3V K	1	
C10		CK73HB1E103K	C CAPACITOR	0.01uF 25V K	1	
C11		CK73HB1E153K	C CAPACITOR	0.015uF 25V K	1	
C12		CK73HB1A104K	C CAPACITOR	0.1uF 10V K	1	
C13		CK73HB1E103K	C CAPACITOR	0.01uF 25V K	1	
C14		CK73HB1C333K	C CAPACITOR	0.033uF 16V K	1	
C15		CK73HB1E153K	C CAPACITOR	0.015uF 25V K	1	
C19		CC73HCH1H470J	C CAPACITOR	47pF 50V J	1	
C22		CK73HB1A104K	C CAPACITOR	0.1uF 10V K	1	
C23		CK73HB0J105K	C CAPACITOR	1uF 6.3V K	1	
C24		CK73HB1A104K	C CAPACITOR	0.1uF 10V K	1	
C25		CK73HB1A104K	C CAPACITOR	0.1uF 10V K	1	
C26		CK73HB1A104K	C CAPACITOR	0.1uF 10V K	1	
C27		CK73HB1A104K	C CAPACITOR	0.1uF 10V K	1	
C28		CK73HB1H222K	C CAPACITOR	2200pF 50V K	1	
C29		CK73HB1H222K	C CAPACITOR	2200pF 50V K	1	
C30		CK73EB1A106K	C CAPACITOR	10uF 10V K	1	
C31		CK73EB1A106K	C CAPACITOR	10uF 10V K	1	
C37		CK73HB1H472K	C CAPACITOR	4700pF 50V K	1	
C38		CK73HB1A104K	C CAPACITOR	0.1uF 10V K	1	
C40		CK73EB0J226K	C CAPACITOR	22uF 6.3V K	1	
C41		CK73GB0J225K	C CAPACITOR	2.2uF 6.3V K	1	
C44		CK73HB0J105K	C CAPACITOR	1uF 6.3V K	1	
C51		CK73HB1A104K	C CAPACITOR	0.1uF 10V K	1	
C52		CC73HCH1H560J	C CAPACITOR	56pF 50V J	1	
C53		CK73HB1H152K	C CAPACITOR	1500pF 50V K	1	
C54		CK73HB1H682K	C CAPACITOR	6800pF 50V K	1	
C55		CK73HB1C333K	C CAPACITOR	0.033uF 16V K	1	
C56		CK73FB1A225K	C CAPACITOR	2.2uF 10V K	1	
C57		CK73HB1H332K	C CAPACITOR	3300pF 50V K	1	
C60		CK73HB1A104K	C CAPACITOR	0.1uF 10V K	1	
C62		CK73HB1A104K	C CAPACITOR	0.1uF 10V K	1	
R1		RK73HB1J472J	MG RESISTOR	4.7kΩ 1/16W J	1	
R2		RK73HB1J104J	MG RESISTOR	100kΩ 1/16W J	1	
R3		RK73FB2B4R7J	MG RESISTOR	4.7Ω 1/8W J	1	
R4		RK73HB1J225J	MG RESISTOR	2.2MΩ 1/16W J	1	
R5		RK73GB2A000J	MG RESISTOR	0Ω 1/10W J	1	
R6		RK73HB1J221J	MG RESISTOR	220Ω 1/16W J	1	
R7		RK73HB1J000J	MG RESISTOR	0Ω 1/16W J	1	
R8		RK73HB1J153J	MG RESISTOR	15kΩ 1/16W J	1	
R9		RK73HB1J334J	MG RESISTOR	330kΩ 1/16W J	1	
R10		RK73HB1J104J	MG RESISTOR	100kΩ 1/16W J	1	
R11		RK73HB1J103J	MG RESISTOR	10kΩ 1/16W J	1	
R12		RK73HB1J103J	MG RESISTOR	10kΩ 1/16W J	1	
R13		RK73HB1J101J	MG RESISTOR	100Ω 1/16W J	1	
R14		RK73HB1J105J	MG RESISTOR	1MΩ 1/16W J	1	
R15		RK73HB1J681J	MG RESISTOR	680Ω 1/16W J	1	
R16		RK73HB1J4R7J	MG RESISTOR	4.7Ω 1/16W J	1	
R17		RK73HB1J4R7J	MG RESISTOR	4.7Ω 1/16W J	1	
R18		RK73HB1J131J	MG RESISTOR	130Ω 1/16W J	1	
R23		RK73HB1J000J	MG RESISTOR	0Ω 1/16W J	1	
R24		RK73HB1J000J	MG RESISTOR	0Ω 1/16W J	1	
R25		RK73HB1J000J	MG RESISTOR	0Ω 1/16W J	1	
R26		RK73HB1J000J	MG RESISTOR	0Ω 1/16W J	1	
R27		RK73HB1J000J	MG RESISTOR	0Ω 1/16W J	1	
R34		RK73HB1J113J	MG RESISTOR	11kΩ 1/16W J	1	
R36		RK73HB1J333J	MG RESISTOR	33kΩ 1/16W J	1	
R38		RK73HB1J273J	MG RESISTOR	27kΩ 1/16W J	1	
R42		RK73HB1J363J	MG RESISTOR	36kΩ 1/16W J	1	
R44		RK73HB1J101J	MG RESISTOR	100Ω 1/16W J	1	
R45		RK73HB1J101J	MG RESISTOR	100Ω 1/16W J	1	
R46		RK73HB1J101J	MG RESISTOR	100Ω 1/16W J	1	
R47		RK73HB1J101J	MG RESISTOR	100Ω 1/16W J	1	
R48		RK73HB1J101J	MG RESISTOR	100Ω 1/16W J	1	
R49		RK73HB1J101J	MG RESISTOR	100Ω 1/16W J	1	
R50		RK73HB1J101J	MG RESISTOR	100Ω 1/16W J	1	
R51		RK73HB1J101J	MG RESISTOR	100Ω 1/16W J	1	
R52		RK73HB1J000J	MG RESISTOR	0Ω 1/16W J	1	
R60		RK73HB1J202J	MG RESISTOR	2kΩ 1/16W J	1	
R61		RK73HB1J682J	MG RESISTOR	6.8kΩ 1/16W J	1	
R62		RK73HB1J101J	MG RESISTOR	100Ω 1/16W J	1	
R63		RK73HB1J472J	MG RESISTOR	4.7kΩ 1/16W J	1	
R64		RK73HB1J472J	MG RESISTOR	4.7kΩ 1/16W J	1	
R65		RK73HB1J101J	MG RESISTOR	100Ω 1/16W J	1	
R66		RK73HB1J104J	MG RESISTOR	100kΩ 1/16W J	1	
R69		RK73HB1J332J	MG RESISTOR	3.3kΩ 1/16W J	1	
R71		RK73HB1J332J	MG RESISTOR	3.3kΩ 1/16W J	1	
R72		RK73HB1J332J	MG RESISTOR	3.3kΩ 1/16W J	1	
R76		RK73HB1J331J	MG RESISTOR	330Ω 1/16W J	1	
R77		RK73HB1J101J	MG RESISTOR	100Ω 1/16W J	1	
R78		RK73HB1J101J	MG RESISTOR	100Ω 1/16W J	1	
R79		RK73HB1J000J	MG RESISTOR	0Ω 1/16W J	1	
R80		RK73HB1J000J	MG RESISTOR	0Ω 1/16W J	1	
R81		RK73HB1J000J	MG RESISTOR	0Ω 1/16W J	1	

MODEL	MARK	MODEL	MARK
KDC-BT958HD	K1	KDC-X998	K0

Safe	Symbol No.	Parts No.	Parts Name	Description	QTY	Local
	L2	L92-0330-05	CHIP FERRITE		1	
	L3	L92-0330-05	CHIP FERRITE		1	
	CN1	E41-3488-05	FLAT CABLE CONNECTOR		1	
	CN2	E41-3373-05	FLAT CABLE CONNECTOR		1	
	S1	S68-0931-05	PUSH SWITCH		1	
	S2	S68-0931-05	PUSH SWITCH		1	
	S3	S68-0932-05	PUSH SWITCH		1	
	X1	L78-1246-05	RESONATOR		1	