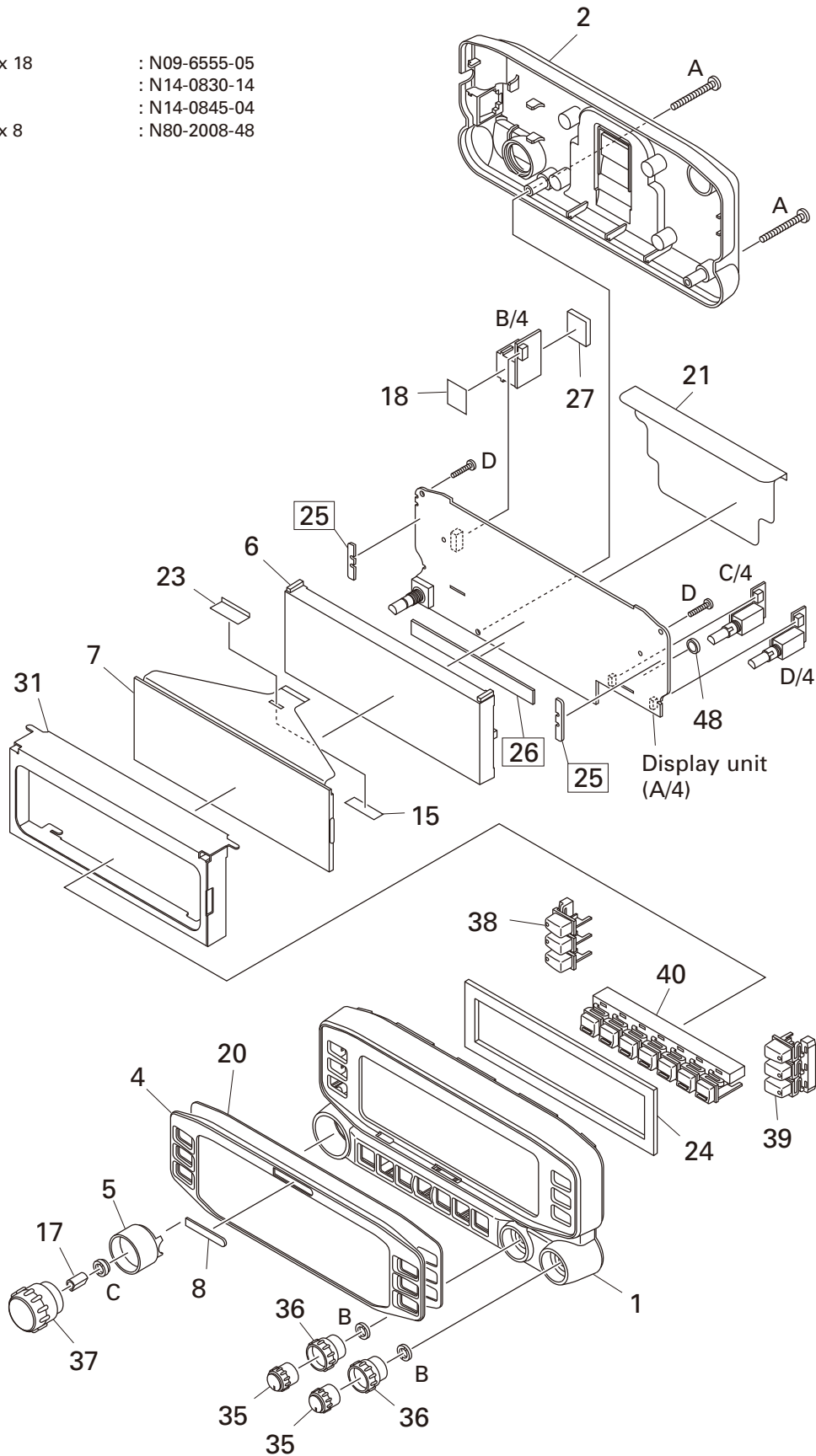


RC-D710

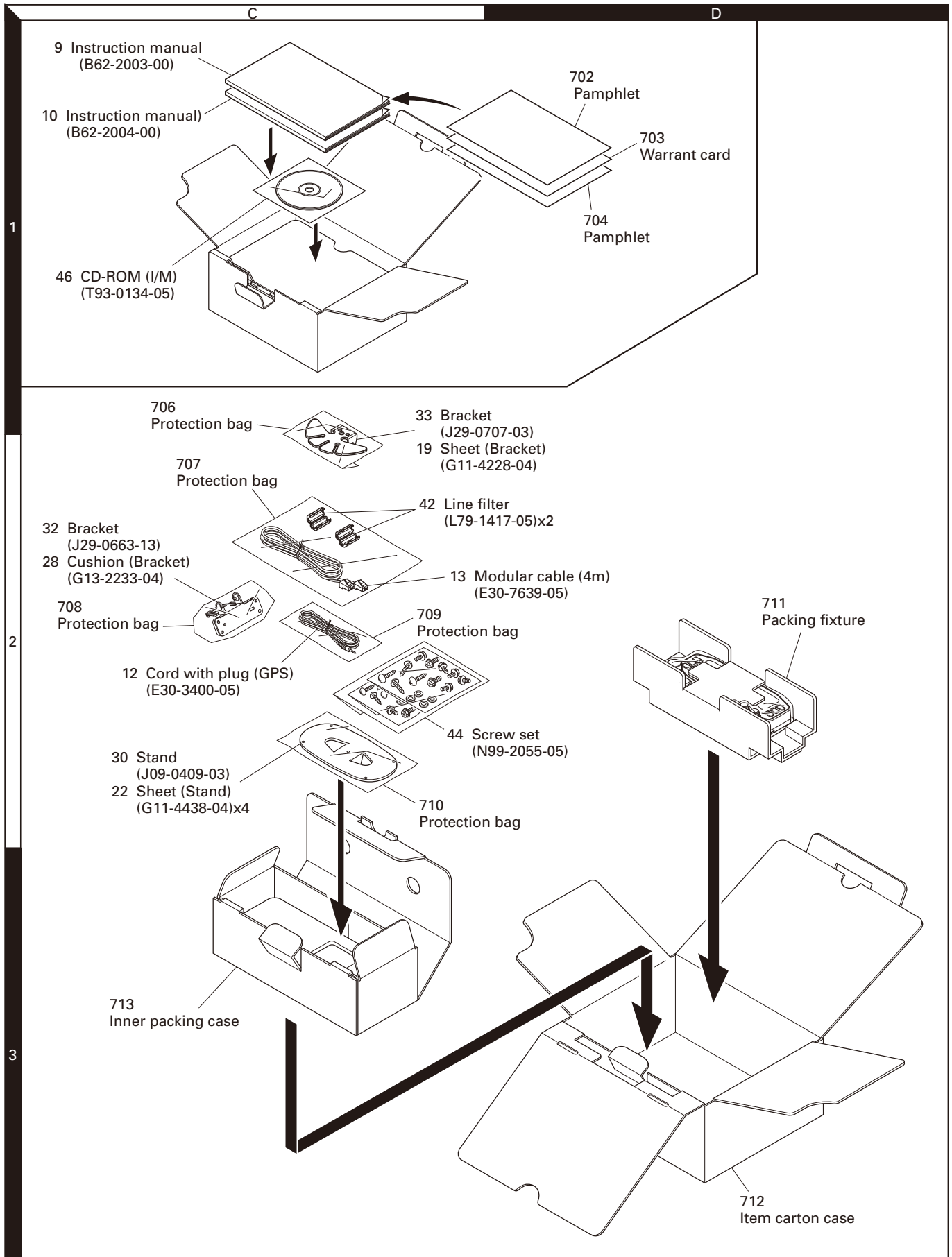
EXPLODED VIEW

A	2 x 18	: N09-6555-05
B		: N14-0830-14
C		: N14-0845-04
D	2 x 8	: N80-2008-48



14 Parts with the exploded numbers larger than 700 are not supplied.
 If a part reference number is listed in a box on the exploded view of the PCB, that part does not come with the PCB. These parts must be ordered separately.

PACKING



Parts with the exploded numbers larger than 700 are not supplied.

RC-D710

PARTS LIST

* New Parts. Δ indicates safety critical components.

Parts without **Parts No.** are not supplied.

Les articles non mentionnés dans le **Parts No.** ne sont pas fournis.

Teile ohne **Parts No.** werden nicht geliefert.

L : Scandinavia

Y : PX (Far East, Hawaii)

Y : AAFES (Europe)

K : USA

T : England

X : Australia

P : Canada

E : Europe

M : Other Areas

RC-D710 (Y62-5670-60)

DISPLAY UNIT (X54-3620-01)

Ref. No.	Address	New parts	Parts No.	Description	Destination	Ref. No.	Address	New parts	Parts No.	Description	Destination
RC-D710						D38			B30-2281-05	LED (Y)	
1	3B		A62-1159-01	PANEL (FRONT)		D39			B30-2293-05	LED (YG)	
2	1B		A82-0072-11	REAR PANEL		D41			B30-2293-05	LED (YG)	
4	3A	*	B10-2783-02	FRONT GLASS		D42,43			B30-2290-05	LED (G/Y)	
5	3A		B11-1856-03	ILLUMINATION GUIDE (ENC)		D44,45			B30-2293-05	LED (YG)	
6	2A		B11-1858-03	ILLUMINATION GUIDE (LCD)		D46-48			B30-2290-05	LED (G/Y)	
7	2A		B38-0926-05	LCD		D49-51			B30-2293-05	LED (YG)	
8	3A		B43-1611-04	BADGE		D52-54			B30-2290-05	LED (G/Y)	
9	1C	*	B62-2003-00	INSTRUCTION MANUAL (4-LANGUAGES)		D55-57			B30-2293-05	LED (YG)	
10	1C	*	B62-2004-00	INSTRUCTION MANUAL (4-LANGUAGES)		D58-60			B30-2290-05	LED (G/Y)	
12	2C		E30-3400-05	CORD WITH PLUG (GPS) ACCESSORY		D61-63			B30-2293-05	LED (YG)	
13	2C		E30-7639-05	MODULAR CABLE (4m) ACCESSORY		D64-66			B30-2290-05	LED (G/Y)	
15	2A		F20-1186-14	INSULATING SHEET (LCD-IC)		D67-69			B30-2293-05	LED (YG)	
17	3A		G09-0405-05	KNOB SPRING (ENC)		D70-72			B30-2290-05	LED (G/Y)	
18	1B		G10-1374-04	FIBROUS SHEET (MODULAR JACK)		D73-75			B30-2293-05	LED (YG)	
19	2C		G11-4228-04	SHEET (BRACKET) ACCESSORY		D76-78			B30-2290-05	LED (G/Y)	
20	3A		G11-4430-03	SHEET (FRONT GLASS)		D79-81			B30-2293-05	LED (YG)	
21	1B		G11-4431-04	SHEET (PCB-REAR PANEL)		D82-84			B30-2290-05	LED (G/Y)	
22	2C		G11-4438-04	SHEET (STAND) ACCESSORY		D85-87			B30-2293-05	LED (YG)	
23	2A		G11-4445-04	SHEET (LCD-IC)		D88-90			B30-2290-05	LED (G/Y)	
24	3B		G13-2221-04	CUSHION (FRONT PANEL)		D91-93			B30-2293-05	LED (YG)	
25	2A,2B		G13-2222-04	CUSHION (3KEY)		D94-96			B30-2290-05	LED (G/Y)	
26	2B		G13-2229-04	CUSHION (7KEY)		D97-99			B30-2293-05	LED (YG)	
27	1B		G13-2230-04	CUSHION (MODULAR JACK)		D100-102			B30-2290-05	LED (G/Y)	
28	2C		G13-2233-04	CUSHION (BRACKET) ACCESSORY		D103-105			B30-2293-05	LED (YG)	
30	2C		J09-0409-03	STAND ACCESSORY		D106-108			B30-2290-05	LED (G/Y)	
31	2A	*	J21-8580-13	MOUNTING HARDWARE (LCD)		D109-111			B30-2293-05	LED (YG)	
32	2C		J29-0663-13	BRACKET ACCESSORY		D112-114			B30-2290-05	LED (G/Y)	
33	2C		J29-0707-03	BRACKET ACCESSORY		D115-117			B30-2293-05	LED (YG)	
35	3A		K29-9377-03	KNOB (VOL)		D118-120			B30-2290-05	LED (G/Y)	
36	3A		K29-9380-03	KNOB (SQL)		D121-123			B30-2293-05	LED (YG)	
37	3A		K29-9409-03	KNOB (ENC)		D124-126			B30-2290-05	LED (G/Y)	
38	2B		K29-9410-02	BUTTON KNOB (3KEY-L)		D127-129			B30-2293-05	LED (YG)	
39	3B		K29-9411-02	BUTTON KNOB (3KEY-R)		D130-132			B30-2290-05	LED (G/Y)	
40	3B		K29-9412-02	BUTTON KNOB (7KEY)		D133-135			B30-2293-05	LED (YG)	
42	2C		L79-1417-05	LINE FILTER ACCESSORY		D136-138			B30-2290-05	LED (G/Y)	
A	1B		N09-6555-05	TAPTITE SCREW (REAR PANEL)		D139-141			B30-2293-05	LED (YG)	
B	3A		N14-0830-14	CIRCULAR NUT (VOL)		C1			CE32CL1HR47M	CHIP EL	0.47UF 50WV
C	3A		N14-0845-04	CIRCULAR NUT (ENC)		C2			CE32BF1E101M	CHIP EL	100UF 25WV
D	1B,2B		N80-2008-48	PAN HEAD TAPTITE SCREW (PCB)		C3-5			CE32CL1C100M	CHIP EL	10UF 16WV
44	2C		N99-2055-05	SCREW SET ACCESSORY		C6			CE32BM1C101M	CHIP EL	100UF 16WV
46	1C	*	T93-0134-05	CD-ROM (I/M) ACCESSORY		C7			CE32CL1C100M	CHIP EL	10UF 16WV
48	2B		W09-0971-05	LITHIUM CELL (PCB)		C8			CK73GB1H122K	CHIP C	1200PF K
DISPLAY UNIT (X54-3620-01)						C11			CK73GB1H471K	CHIP C	470PF K
D30-32			B30-2290-05	LED (G/Y)		C12,13			CK73GB1E104K	CHIP C	0.10UF K
D33-35			B30-2293-05	LED (YG)		C14			CK73GB1E105K	CHIP C	1.0UF K
D36			B30-2281-05	LED (Y)		C15			CK73HB1A104K	CHIP C	0.10UF K
						C16			CC73GCH1H101J	CHIP C	100PF J
						C17,18			CK73HB1A104K	CHIP C	0.10UF K
						C19			CK73GB1H471K	CHIP C	470PF K
						C20-22			CC73GCH1H101J	CHIP C	100PF J
						C23			CK73HB1H102K	CHIP C	1000PF K
						C24,25			CK73HB1A104K	CHIP C	0.10UF K
						C26			CK73HB1H102K	CHIP C	1000PF K
						C27,28			CC73GCH1H220J	CHIP C	22PF J

PARTS LIST

DISPLAY UNIT (X54-3620-01)

Ref. No.	Address	New parts	Parts No.	Description	Desti-nation	Ref. No.	Address	New parts	Parts No.	Description	Desti-nation
C29			CK73HB1H471K	CHIP C 470PF K		C138			CK73GB1H102K	CHIP C 1000PF K	
C30-32			CK73HB1A104K	CHIP C 0.10UF K		C139			CK73GB1H221K	CHIP C 220PF K	
C33			CK73HB1H102K	CHIP C 1000PF K		C140			CK73HB1A104K	CHIP C 0.10UF K	
C34			CK73HB1A104K	CHIP C 0.10UF K		C141			CK73HB1E103K	CHIP C 0.010UF K	
C35			CK73HB1H471K	CHIP C 470PF K		C142			CK73HB1H102K	CHIP C 1000PF K	
C36			CK73HB1A104K	CHIP C 0.10UF K		C143			CK73GB1E105K	CHIP C 1.0UF K	
C37			CK73GB1A105K	CHIP C 1.0UF K		C144,145			CK73GB1C223K	CHIP C 0.022UF K	
C38			CK73HB1A104K	CHIP C 0.10UF K		C146			CK73GB1H682K	CHIP C 6800PF K	
C39,40			CC73GCH1H101J	CHIP C 100PF J		C147			CK73GB1C223K	CHIP C 0.022UF K	
C41-43			CK73HB1A104K	CHIP C 0.10UF K		C148			CK73GB1H682K	CHIP C 6800PF K	
C44			CK73HB1H471K	CHIP C 470PF K		C149			CK73GB1E103K	CHIP C 0.010UF K	
C45			CK73GB1A105K	CHIP C 1.0UF K		C150			CK73HB1H471K	CHIP C 470PF K	
C46-49			CK73GB1C104K	CHIP C 0.10UF K		C151			CK73HB1A104K	CHIP C 0.10UF K	
C50-53			CC73GCH1H101J	CHIP C 100PF J		C160,161			CK73FB1C105K	CHIP C 1.0UF K	
C54			CK73HB1A104K	CHIP C 0.10UF K		C162			CK73GB1E104K	CHIP C 0.10UF K	
C55			CC73GCH1H820J	CHIP C 82PF J		CN1			E40-6759-05	FLAT CABLE CONNECTOR	
C56			CK73HB1A104K	CHIP C 0.10UF K		CN2,3			E40-6708-05	PIN ASSY	
C57			CK73FB1A475K	CHIP C 4.7UF K		CN4			E40-6765-05	PIN ASSY	
C58			CK73GB1C104K	CHIP C 0.10UF K		CN11,12			E40-6710-05	PIN ASSY	
C59-61			CK73HB1A104K	CHIP C 0.10UF K		CN13			E40-6766-05	PIN ASSY	
C62			CK73GB1H104K	CHIP C 0.10UF K		J1			E58-0522-05	MODULAR JACK	
C63			CK73GB1E105K	CHIP C 1.0UF K		J2			E56-0419-05	DIN SOCKET	
C64			CK73GB1H104K	CHIP C 0.10UF K		J3			E11-0709-05	2.5D PHONE JACK	
C65			CK73GB1E105K	CHIP C 1.0UF K		CN5			J19-5386-05	HOLDER (LITHIUM CELL)	
C66			CK73GB1H104K	CHIP C 0.10UF K		L1-3			L92-0138-05	CHIP FERRITE	
C67-79			CK73GB1E105K	CHIP C 1.0UF K		L4			L33-1990-05	CHOKE COIL	
C80			CK73HB1A104K	CHIP C 0.10UF K		L11			L41-4795-33	SMALL FIXED INDUCTOR (4.7UH)	
C81			CK73HB1H471K	CHIP C 470PF K		L12-18			L92-0140-05	CHIP FERRITE	
C82			CK73HB1E472K	CHIP C 4700PF K		X1			L77-1950-05	CRYSTAL RESONATOR (11.0592MHZ)	
C83			CK73HB1H471K	CHIP C 470PF K		X2			L77-1802-05	CRYSTAL RESONATOR (32768HZ)	
C84			CK73HB1E472K	CHIP C 4700PF K		X3			L77-3031-05	CRYSTAL RESONATOR (15.9744MHZ)	
C85-98			CK73HB1H471K	CHIP C 470PF K		CP1			RK74HB1J102J	CHIP-COM 1.0K J 1/16W	
C99			CK73GB1E105K	CHIP C 1.0UF K		CP2			RK74HB1J473J	CHIP-COM 47K J 1/16W	
C100			CC73HCH1H101J	CHIP C 100PF J		CP3			RK75HA1J473J	CHIP-COM 47K J 1/16W	
C101			CK73HB1A104K	CHIP C 0.10UF K		CP4			RK75HA1J103J	CHIP-COM 10K J 1/16W	
C102			CK73HB1H102K	CHIP C 1000PF K		CP5,6			RK74HB1J102J	CHIP-COM 1.0K J 1/16W	
C103,104			CK73HB1A104K	CHIP C 0.10UF K		CP7			RK74HB1J473J	CHIP-COM 47K J 1/16W	
C105			CK73HB1H102K	CHIP C 1000PF K		CP10-13			RK74HB1J473J	CHIP-COM 47K J 1/16W	
C106			CK73HB1A104K	CHIP C 0.10UF K		R1,2			RK73HB1J333J	CHIP R 33K J 1/16W	
C107,108			CC73GCH1H090B	CHIP C 9.0PF B		R3,4			RK73HB1J473J	CHIP R 47K J 1/16W	
C109			CK73HB1H102K	CHIP C 1000PF K		R5			RK73HB1J334J	CHIP R 330K J 1/16W	
C110			CK73HB1A104K	CHIP C 0.10UF K		R6,7			RK73GH2A393D	CHIP R 39K D 1/10W	
C112-114			CK73HB1A104K	CHIP C 0.10UF K		R8			RK73HB1J394J	CHIP R 390K J 1/16W	
C115			CK73HB1H102K	CHIP C 1000PF K		R9			RK73HB1J102J	CHIP R 1.0K J 1/16W	
C116,117			CK73HB1A104K	CHIP C 0.10UF K		R10			RK73HB1J000J	CHIP R 0.0 J 1/16W	
C118			CK73HB1H102K	CHIP C 1000PF K		R11			RK73HB1J103J	CHIP R 10K J 1/16W	
C119,120			CK73HB1A104K	CHIP C 0.10UF K		R12			RK73HB1J333J	CHIP R 33K J 1/16W	
C121			CK73GB1C683K	CHIP C 0.068UF K		R14-16			RK73HB1J103J	CHIP R 10K J 1/16W	
C122,123			CK73GB1H152K	CHIP C 1500PF K		R17			RK73HB1J101J	CHIP R 100 J 1/16W	
C124,125			CK73HB1A104K	CHIP C 0.10UF K		R18,19			RK73HB1J102J	CHIP R 1.0K J 1/16W	
C126,127			CC73GCH1H040C	CHIP C 4.0PF C		R20			RK73HB1J101J	CHIP R 100 J 1/16W	
C128			CK73HB1A104K	CHIP C 0.10UF K		R21-26			RK73HB1J102J	CHIP R 1.0K J 1/16W	
C129,130			CK73GB1E105K	CHIP C 1.0UF K		R27,28			RK73HB1J103J	CHIP R 10K J 1/16W	
C131			CC73HCH1H101J	CHIP C 100PF J		R29			RK73HB1J473J	CHIP R 47K J 1/16W	
C132			CK73HB1E472K	CHIP C 4700PF K		R30			RK73HB1J102J	CHIP R 1.0K J 1/16W	
C133			CK73HB1H471K	CHIP C 470PF K		R31-34			RK73GB2A101J	CHIP R 100 J 1/10W	
C134			CK73HB1H102K	CHIP C 1000PF K		R35			RK73GB2A000J	CHIP R 0.0 J 1/10W	
C135			CK73GB1H682K	CHIP C 6800PF K		R36-39			RK73HB1J102J	CHIP R 1.0K J 1/16W	
C136			CK73GB1H103K	CHIP C 0.010UF K							
C137			CK73GB1H222K	CHIP C 2200PF K							

PARTS LIST

DISPLAY UNIT (X54-3620-01)

Ref. No.	Address	New parts	Parts No.	Description	Destination	Ref. No.	Address	New parts	Parts No.	Description	Destination
R40,41			RK73HB1J473J	CHIP R 47K J 1/16W		R152			RK73HB1J272J	CHIP R 27K J 1/16W	
R42			RK73HB1J102J	CHIP R 1.0K J 1/16W		R153			RK73HB1J273J	CHIP R 27K J 1/16W	
R43			RK73HB1J473J	CHIP R 47K J 1/16W		R154			RK73HB1J223J	CHIP R 22K J 1/16W	
R44			RK73HB1J102J	CHIP R 1.0K J 1/16W		R155			RK73HB1J273J	CHIP R 27K J 1/16W	
R45			RK73HB1J473J	CHIP R 47K J 1/16W		R160,161			RK73HB1J102J	CHIP R 1.0K J 1/16W	
R46,47			RK73HB1J102J	CHIP R 1.0K J 1/16W		R162			RK73HB1J273J	CHIP R 27K J 1/16W	
R48,49			RK73GB2A101J	CHIP R 100 J 1/10W		R163			RK73HB1J104J	CHIP R 100K J 1/16W	
R50,51			RK73HB1J102J	CHIP R 1.0K J 1/16W		R164			RK73HB1J103J	CHIP R 10K J 1/16W	
R52			RK73HB1J222J	CHIP R 2.2K J 1/16W		R165			RK73HB1J473J	CHIP R 47K J 1/16W	
R53			RK73HB1J102J	CHIP R 1.0K J 1/16W		R166-173			RK73GB2A271J	CHIP R 270 J 1/10W	
R54			RK73HB1J473J	CHIP R 47K J 1/16W		R175,176			RK73HB1J473J	CHIP R 47K J 1/16W	
R55			RK73HB1J122J	CHIP R 1.2K J 1/16W		R179			RK73HB1J473J	CHIP R 47K J 1/16W	
R56			RK73HB1J821J	CHIP R 820 J 1/16W		R180			RK73HB1J472J	CHIP R 4.7K J 1/16W	
R57			RK73HB1J000J	CHIP R 0.0 J 1/16W		R181			RK73HB1J473J	CHIP R 47K J 1/16W	
R58,59			RK73EB2E102J	CHIP R 1.0K J 1/4W		R182			RK73FB2B221J	CHIP R 220 J 1/8W	
R60			RK73FB2B102J	CHIP R 1.0K J 1/8W		R183			RK73FB2B122J	CHIP R 1.2K J 1/8W	
R61			RK73HB1J000J	CHIP R 0.0 J 1/16W		R184			RK73HB1J103J	CHIP R 10K J 1/16W	
R62,63			RK73EB2E102J	CHIP R 1.0K J 1/4W		R185			RK73HB1J473J	CHIP R 47K J 1/16W	
R64			RK73FB2B102J	CHIP R 1.0K J 1/8W		R186			RK73HB1J333J	CHIP R 33K J 1/16W	
R65,66			RK73GB2A271J	CHIP R 270 J 1/10W		R273			RK73FB2B121J	CHIP R 120 J 1/8W	
R69,70			RK73FB2B121J	CHIP R 120 J 1/8W		R275			RK73HB1J154J	CHIP R 150K J 1/16W	
R71,72			RK73FB2B471J	CHIP R 470 J 1/8W		VR1,2			R31-0629-15	VARIABLE RESISTOR	
R74			RK73FB2B121J	CHIP R 120 J 1/8W		S11-23			S70-0439-15	TACT SWITCH	
R75,76			RK73FB2B471J	CHIP R 470 J 1/8W		BZ1		*	T95-0074-05	PIEZOELECTRIC VIBRATOR	
R77-100			RK73GB2A271J	CHIP R 270 J 1/10W		D1			1SR154-400	DIODE	
R101			RK73HB1J103J	CHIP R 10K J 1/16W		D2,3			1SS388F	DIODE	
R102,103			RK73HB1J000J	CHIP R 0.0 J 1/16W		D4			1SS400	DIODE	
R104-107			RK73HB1J103J	CHIP R 10K J 1/16W		D5,6			1SS388F	DIODE	
R108,109			RK73HB1J000J	CHIP R 0.0 J 1/16W		D8-29			DA221	DIODE	
R111			RK73HB1J101J	CHIP R 100 J 1/16W		IC1		*	30626FHPGKBOXF	MICROPROCESSOR IC	
R112			RK73HB1J103J	CHIP R 10K J 1/16W		IC2			AT25256A10TU27	ROM IC	
R113			RK73HB1J102J	CHIP R 1.0K J 1/16W		IC3			BD4840FVE	MOS-IC	
R114			RK73HB1J334J	CHIP R 330K J 1/16W		IC4,5			TC4S81F-F	MOS-IC	
R115			RK73GH2A392D	CHIP R 3.9K D 1/10W		IC6			TA4805BF	MOS-IC	
R116			RK73GB2A562J	CHIP R 5.6K J 1/10W		IC7			ADM202EARUZ	MOS-IC	
R117,118			RK73HB1J154J	CHIP R 150K J 1/16W		IC8			BU2099FV	MOS-IC	
R119			RK73HB1J473J	CHIP R 47K J 1/16W		IC10			TA75W01FUF	MOS-IC	
R120			RK73HB1J154J	CHIP R 150K J 1/16W		IC11			3048BTE25KBYB	MICROPROCESSOR IC	
R121			RK73HB1J473J	CHIP R 47K J 1/16W		IC12			TGT0210Q	MOS-IC	
R122			RK73HB1J563J	CHIP R 56K J 1/16W		IC13			R1LP0408CSB5S	SRAM IC	
R123			RK73HB1J104J	CHIP R 100K J 1/16W		IC14			BD4840FVE	MOS-IC	
R124			RK73HB1J154J	CHIP R 150K J 1/16W		IC15			TC7S00FU-F	MOS-IC	
R125-127			RK73HB1J103J	CHIP R 10K J 1/16W		IC16			TC7W74FU-F	MOS-IC	
R128			RK73HB1J332J	CHIP R 3.3K J 1/16W		IC17			TA75W393FU-F	MOS-IC	
R129			RK73HB1J823J	CHIP R 82K J 1/16W		IC18			TA75S393F-F	MOS-IC	
R130			RK73HB1J393J	CHIP R 39K J 1/16W		IC19			TC7W66FK-F	MOS-IC	
R131			RK73HB1J332J	CHIP R 3.3K J 1/16W		IC20			M62364FP-F	MOS-IC	
R132			RK73HB1J103J	CHIP R 10K J 1/16W		IC21			TC4S81F-F	MOS-IC	
R133			RK73HB1J472J	CHIP R 4.7K J 1/16W		IC22			TC75S51F-F	MOS-IC	
R134			RK73HB1J104J	CHIP R 100K J 1/16W		IC23			ADM1101EARMZ	MOS-IC	
R135-138			RK73HB1J103J	CHIP R 10K J 1/16W		IC24			BD4840FVE	MOS-IC	
R139-141			RK73HB1J123J	CHIP R 12K J 1/16W		IC25			RV5C386A	MOS-IC	
R142			RK73HB1J222J	CHIP R 2.2K J 1/16W		IC26			TC4001BFT	MOS-IC	
R143,144			RK73HB1J123J	CHIP R 12K J 1/16W		Q1,2			DTA123JUA	DIGITAL TRANSISTOR	
R145			RK73HB1J332J	CHIP R 3.3K J 1/16W		Q3			2SA1162-F(Y)	TRANSISTOR	
R146			RK73HB1J103J	CHIP R 10K J 1/16W		Q4			DTC144EUA	DIGITAL TRANSISTOR	
R147,148			RK73HB1J223J	CHIP R 22K J 1/16W		Q5			CPH6122	TRANSISTOR	
R149			RK73HB1J103J	CHIP R 10K J 1/16W		Q6			DTC144EUA	DIGITAL TRANSISTOR	
R150			RK73HB1J272J	CHIP R 2.7K J 1/16W							
R151			RK73HB1J273J	CHIP R 27K J 1/16W							

PARTS LIST

DISPLAY UNIT (X54-3620-01)

Ref. No.	Address	New parts	Parts No.	Description	Destination	Ref. No.	Address	New parts	Parts No.	Description	Destination
Q7			CPH6122	TRANSISTOR							
Q9			DTA123JUA	DIGITAL TRANSISTOR							
Q10			DTC143EKA	DIGITAL TRANSISTOR							
Q11			DTC144EUA	DIGITAL TRANSISTOR							
Q12,13			2SC4617(R)	TRANSISTOR							
Q14			2SA1774(R)	TRANSISTOR							
Q15			2SC4617(R)	TRANSISTOR							
Q16			2SK1824-A	FET							
Q22			DTA123JUA	DIGITAL TRANSISTOR							
Q24			2SK1824-A	FET							
S1			W02-1978-05	ENCODER							