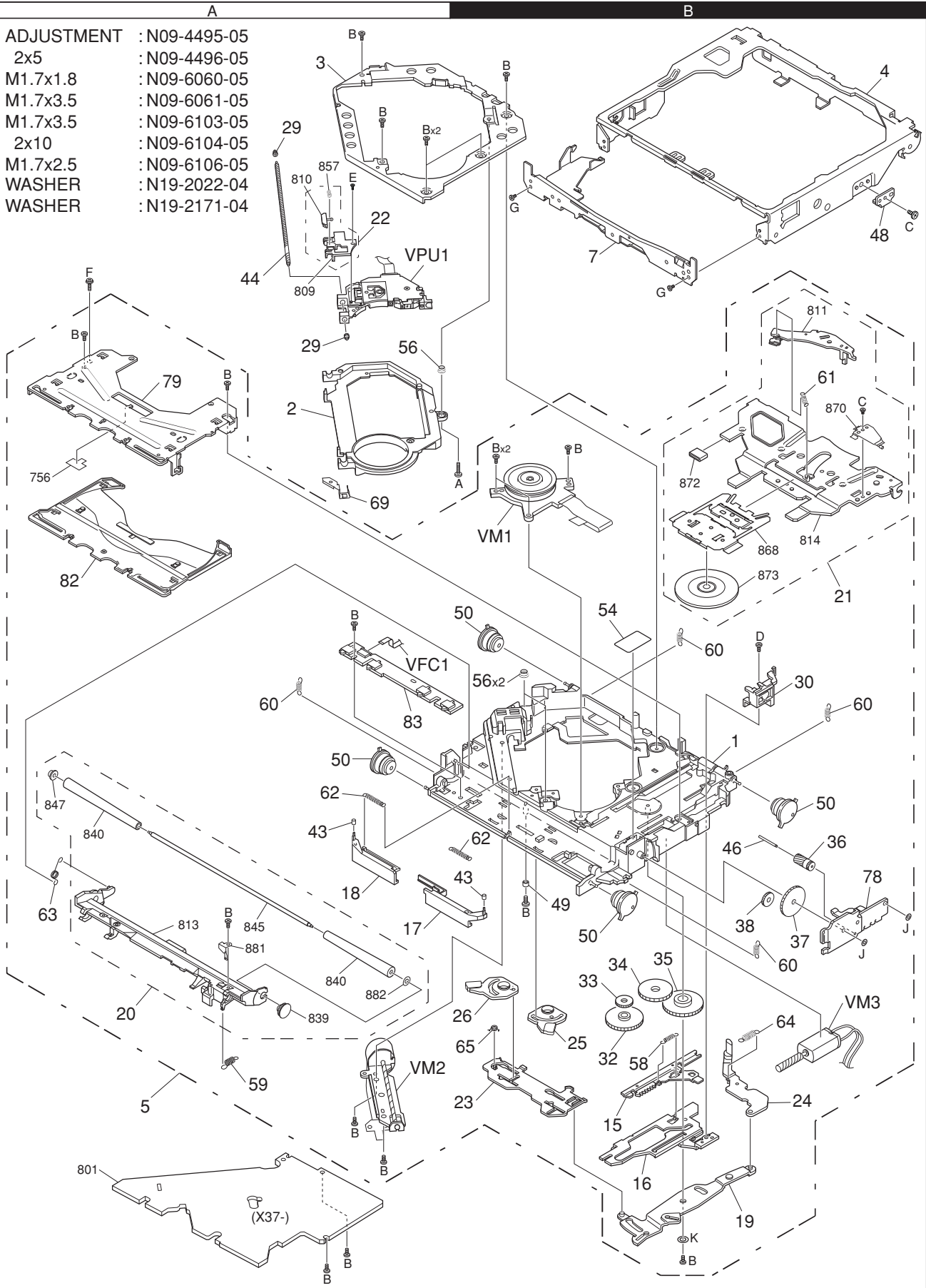


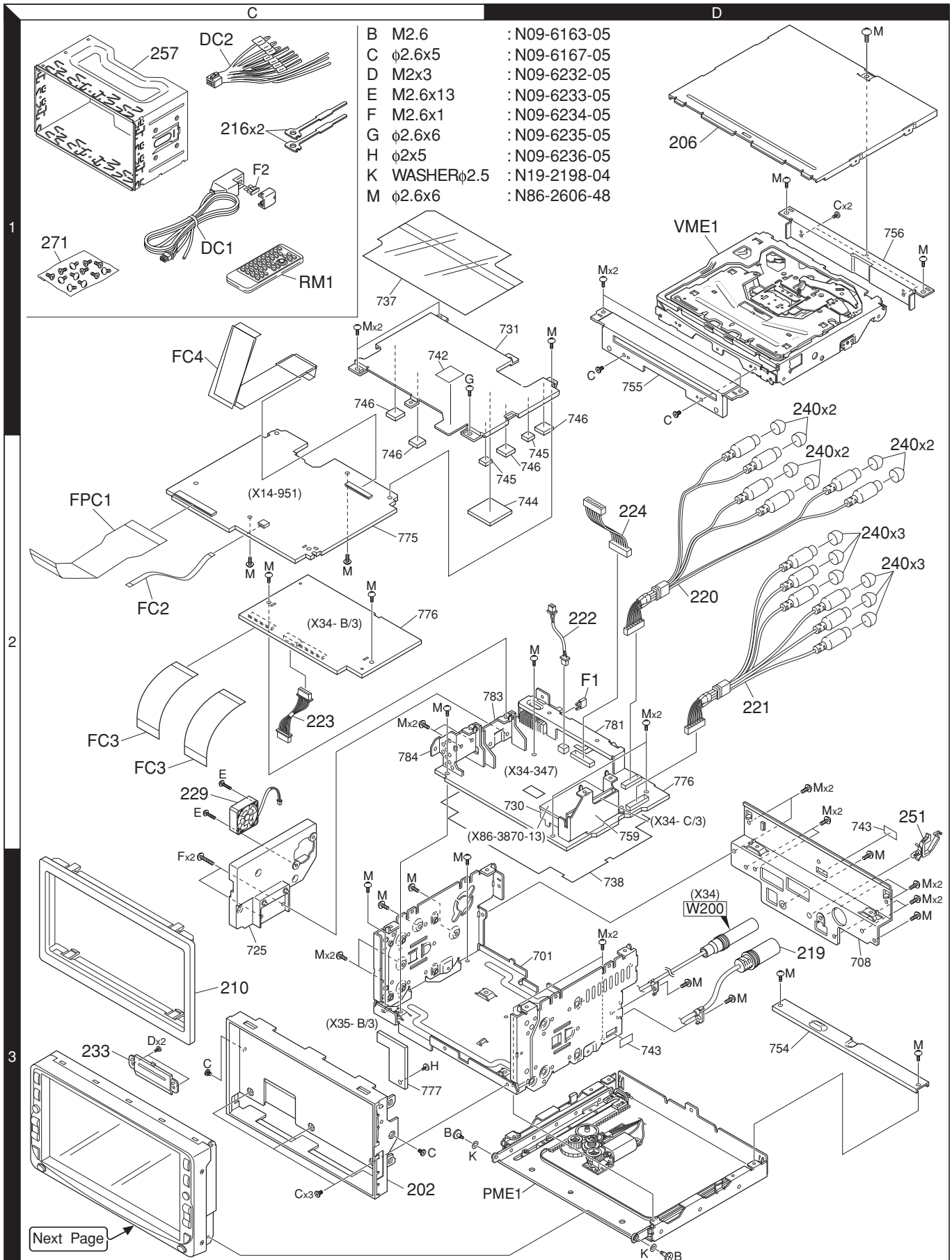
EXPLODED VIEW (DVD MECHANISM)

- | | | |
|---|------------|--------------|
| A | ADJUSTMENT | :N09-4495-05 |
| B | 2x5 | :N09-4496-05 |
| C | M1.7x1.8 | :N09-6060-05 |
| D | M1.7x3.5 | :N09-6061-05 |
| E | M1.7x3.5 | :N09-6103-05 |
| F | 2x10 | :N09-6104-05 |
| G | M1.7x2.5 | :N09-6106-05 |
| J | WASHER | :N19-2022-04 |
| K | WASHER | :N19-2171-04 |



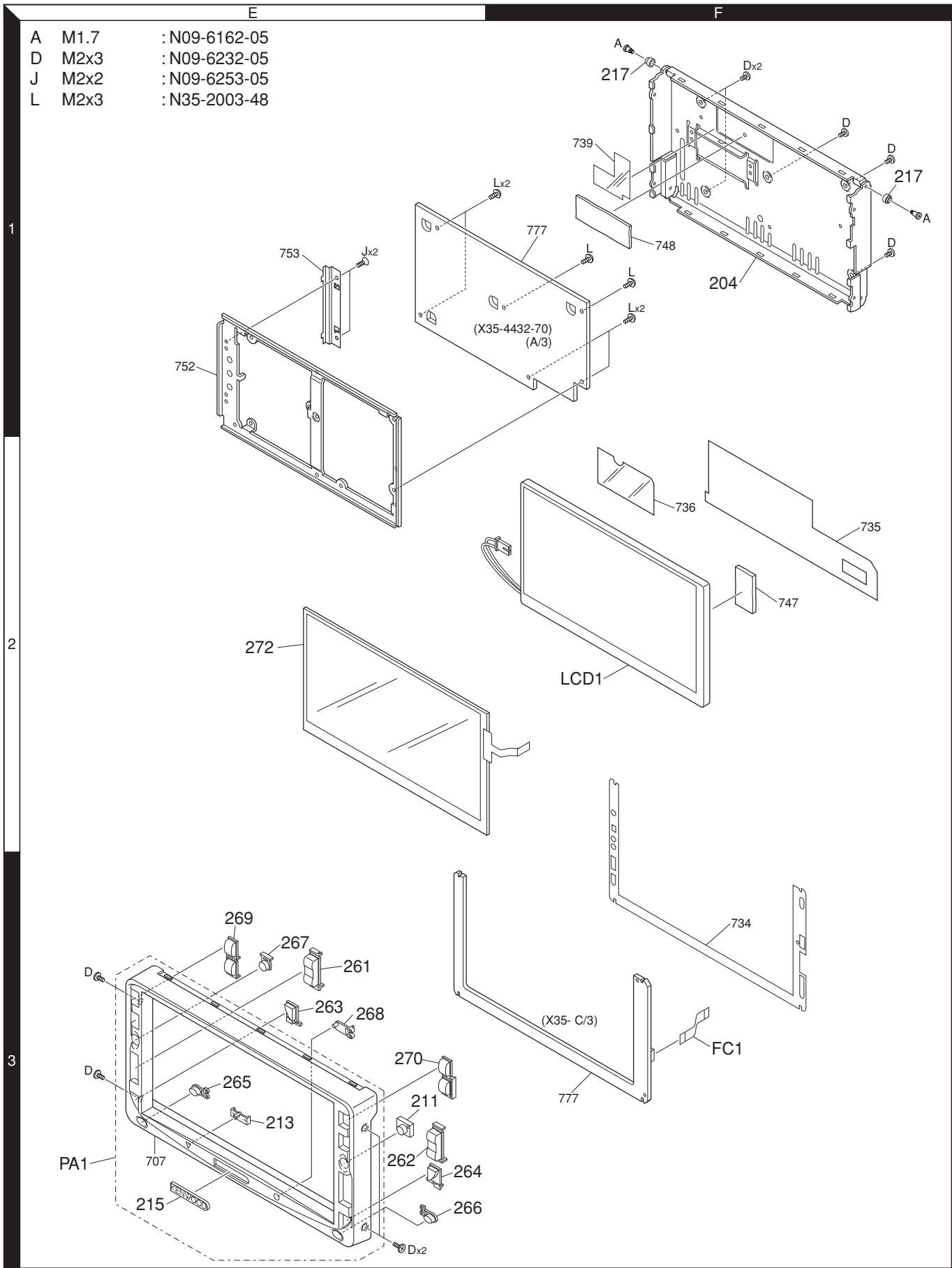
Parts with the exploded numbers larger than 700 are not supplied.

EXPLODED VIEW (UNIT)



EXPLODED VIEW (PANEL ASSY)

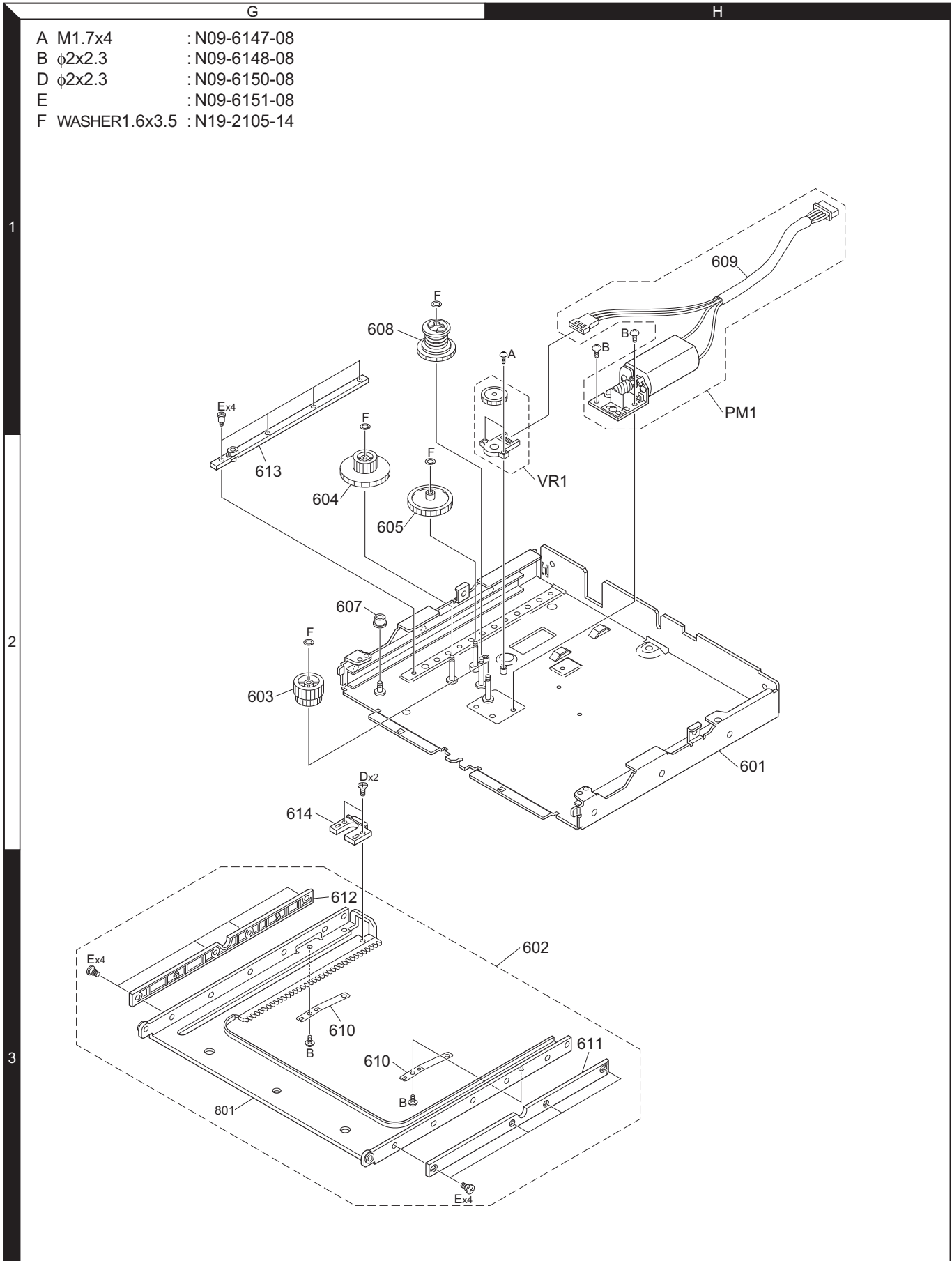
A	M1.7	: N09-6162-05
D	M2x3	: N09-6232-05
J	M2x2	: N09-6253-05
L	M2x3	: N35-2003-48



Parts with the exploded numbers larger than 700 are not supplied.

DDX6017

EXPLODED VIEW (PANEL MECHANISM)



PARTS LIST

* New parts

Parts without **Parts No.** are not supplied.

Les articles non mentionnés dans le **Parts No.** ne sont pas fournis.

Teile ohne **Parts No.** werden nicht geliefert.

Ref. No.	A d d	N e w	Parts No.	Description	Desti- nation
DDX6017					
202	3C		A22-3046-33	SUB PANEL ASSY	
204	1F		A46-1801-03	REAR COVER ASSY	
206	1D		A52-0854-12	TOP PLATE	
PA1	3E	*	A64-3668-02	PANEL ASSY	
RM1	1C		A70-2064-05	REMOTE CONTROLLASSY (RC-DV420)	
-			B46-0100-50	WARRANTY CARD	
-		*	B54-4460-00	INSTALLATION MANUAL	
-		*	B64-3053-00	INSTRUCTION MANUAL (English)	
-		*	B64-3056-00	INSTRUCTION MANUAL (French)	
-		*	B64-3057-00	INSTRUCTION MANUAL (Spanish)	
210	3C		B07-3105-02	ESCUTCHEON	
211	3E		B10-4546-13	FRONT GLASS	
213	3E		B19-2262-03	LIGHTING BOARD	
215	3E		B43-1271-04	KENWOOD BADGE	
LCD1	2F		B38-1153-05	LCD	
216	1C		D10-4674-04	LEVER	
217	1F		D14-0792-04	ROLLER	
PME1	3D	*	D40-2201-15	PANEL MECHANISM ASSY	
219	3D		E30-6299-05	CORD WITH DIN CONNECTOR	
220	2D		E30-6335-05	CORD WITH PINPLUG	
221	2D		E30-6336-05	CORD WITH PINPLUG	
222	2D		E39-0646-15	WIRING HARNESS	
223	2C		E39-0647-05	WIRING HARNESS	
224	2D		E39-0648-05	WIRING HARNESS	
DC1	1C		E30-6341-15	DC CORD	
DC2	1C		E30-6342-05	DC CORD	
FC1	3F		E39-0667-05	FLAT CABLE	
FC2	2C		E39-0668-05	FLAT CABLE	
FC3	2C		E39-0669-05	FLAT CABLE	
FC4	1C		E39-0670-05	FLAT CABLE	
229	2C		F09-1878-05	FAN	
233	3C		F19-1426-03	COVER	
240	2D		F29-0626-04	INSULATING COVER	
△ F1	2D		F52-0023-05	FUSE (MINI BLADE TYPE) 10A	
△ F2	1C		F52-0004-05	FUSE (MINI BLADE TYPE) 5A	
-		*	H10-4917-02	POLYSTYRENE FOAMED FIXTURE	
-		*	H10-4918-02	POLYSTYRENE FOAMED FIXTURE	
-			H12-2745-04	PACKING FIXTURE	
-			H25-0338-04	PROTECTION BAG (250X350X0.03)	
-			H25-1127-04	PROTECTION BAG (0.5X350X450)	
-			H25-1161-04	PROTECTION BAG	
-		*	H54-3474-03	ITEM CARTON CASE	
251	3D		J11-0660-05	CLAMPER	
257	1C		J22-0171-03	MOUNTING HARDWARE ASSY	
FPC1	2C		J84-0173-05	FLEXIBLE PRINTED WIRING BOARD	
261	3E		K24-4149-03	KNOB (VOL)	
262	3E		K24-4150-03	KNOB (SEEK)	
263	3E		K24-4151-13	KNOB (ATT)	
264	3E		K24-4171-13	KNOB (AUTO)	
265	3E	*	K24-4395-03	KNOB (V.SEL)	
266	3E	*	K24-4396-03	KNOB (>)	

Ref. No.	A d d	N e w	Parts No.	Description	Desti- nation
267	3E	*	K24-4155-13	KNOB (SRC)	
268	3E		K24-4156-14	KNOB (RESET)	
269	3E		K25-1638-03	KNOB (EJECT)	
270	3E		K25-1639-03	KNOB (MODE)	
271	1C		N99-1754-05	SCREW SET	
A	1F		N09-6162-05	STEPPED SCREW (M1.7X1.5)	
B	3D		N09-6163-05	STEPPED SCREW (M2X2.2)	
C	3C		N09-6167-05	MACHINE SCREW (2.6X5)	
D	3C		N09-6232-05	MACHINE SCREW (M2.0X3.0)	
D	3C		N09-6232-05	MACHINE SCREW (M2.0X3.0)	
E	2C		N09-6233-05	MACHINE SCREW (M2.6X13)	
F	3C		N09-6234-05	MACHINE SCREW (M2.6X1)	
G	1C		N09-6235-05	TAPTITE SCREW (2.6X6)	
H	3C		N09-6236-05	SEMS (TAPTITE SCREW) (2.0X5)	
J	1E		N09-6253-05	MACHINE SCREW (M2X2)	
K	3D		N19-2198-04	FLAT WASHER (2.5)	
L	1F		N35-2003-48	BINDING HEAD MACHINE SCREW	
M	2C		N86-2606-48	BINDING HEAD TAPTITE SCREW	
272	2E		S79-0846-05	SWITCH ASSY	
VME1	1D	*	X92-5150-00	DVD MECHANISM ASSY	
VIDEO CONTROL UNIT (X14-9510-13)					
C100			CK73GB1H103K	CHIP C 0.010UF	K
C101			C90-5670-05	ELECTRO 2200UF	16WV
C102			CK73GB1H103K	CHIP C 0.010UF	K
C103-105			CK73GB1H104K	CHIP C 0.10UF	K
C106,107			CK73GB1C333K	CHIP C 0.033UF	K
C108			CK73GB1E223K	CHIP C 0.022UF	K
C109			CK73GB1H682K	CHIP C 6800PF	K
C110,111			CK73GB1H472K	CHIP C 4700PF	K
C112			CK73FB1C105K	CHIP C 1.0UF	K
C113			CK73GB1H104K	CHIP C 0.10UF	K
C114			CK73EB1E474K	CHIP C 0.47UF	K
C115,116			CK73GB1H104K	CHIP C 0.10UF	K
C117			CK73FB1H104K	CHIP C 0.10UF	K
C118			CE32AZ1C221M	CHIP EL 220UF	16WV
C119			CK73GB1H104K	CHIP C 0.10UF	K
C120,121			CK73FB1H104K	CHIP C 0.10UF	K
C122			CK73FB1C105K	CHIP C 1.0UF	K
C123			CK73GB1H472K	CHIP C 4700PF	K
C124			CK73GB1H682K	CHIP C 6800PF	K
C125			CK73GB1H473K	CHIP C 0.047UF	K
C126			CK73GB1C104K	CHIP C 0.10UF	K
C127			CK73DF1C106Z	CHIP C 10UF	Z
C128			CK73EBOJ106K	CHIP C 10UF	K
C129			CK73GB1C104K	CHIP C 0.10UF	K
C130-133			C93-1210-05	CHIP C 10UF	K
C134			CK73GB1H103K	CHIP C 0.010UF	K
C135			CC73GCH1H391J	CHIP C 390PF	J
C136			C93-1210-05	CHIP C 10UF	K
C137			CK73DF1E106Z	CHIP C 10UF	Z
C138-140			CK73GB1H471K	CHIP C 470PF	K
C141			C93-1210-05	CHIP C 10UF	K
C142			CK73GB1H102K	CHIP C 1000PF	K

K : North America

△ Indicates safety critical components.

PARTS LIST

VIDEO CONTROL UNIT (X14-9510-13)

Ref. No.	Add	New	Parts No.	Description	Destination
C143			CE32AU0J121M	CHIP EL 120UF 6.3WV	
C144			CE32AU1A560M	CHIP EL 56UF 10WV	
C145			CE32AU0G331M	CHIP EL 330UF 4.0WV	
C146			CE32AU1A560M	CHIP EL 56UF 10WV	
C148,149			CK73GB1C104K	CHIP C 0.10UF K	
C150			CK73EB1C225K	CHIP C 2.2UF K	
C151			CK73DF1C106Z	CHIP C 10UF Z	
C152			CE32AU1A560M	CHIP EL 56UF 10WV	
C153			CK73EB0J106K	CHIP C 10UF K	
C154,155			CK73GB1C104K	CHIP C 0.10UF K	
C156			CK73GB1H102K	CHIP C 1000PF K	
C157			CK73GB1H104K	CHIP C 0.10UF K	
C158			CK73GB1C104K	CHIP C 0.10UF K	
C159,160			C92-1766-05	ELECTRO 22UF 12.5WV	
C161			CE32AZ1C221M	CHIP EL 220UF 16WV	
C162			CK73GB1H222K	CHIP C 2200PF K	
C164,165			CK73GB1H102K	CHIP C 1000PF K	
C200-202			CK73GB1H103K	CHIP C 0.010UF K	
C203			CC73GCH1H220J	CHIP C 22PF J	
C204			CC73GCH1H080D	CHIP C 8.0PF D	
C205			C92-1359-05	CHIP-TAN 10UF 16WV	
C206-208			CK73GB1H103K	CHIP C 0.010UF K	
C209			CK73GB1C104K	CHIP C 0.10UF K	
C210,211			CK73GB1H103K	CHIP C 0.010UF K	
C212			CK73FB1C105K	CHIP C 1.0UF K	
C213,214			CK73GB1H103K	CHIP C 0.010UF K	
C216			CK73GB1H103K	CHIP C 0.010UF K	
C217			CK73GB1C104K	CHIP C 0.10UF K	
C218			CK73GB0J105K	CHIP C 1.0UF K	
C300			CK73GB1C104K	CHIP C 0.10UF K	
C301			C92-1685-05	ELECTRO 47UF 6.3WV	
C302			CK73GB1C104K	CHIP C 0.10UF K	
C304			CK73EB0J106K	CHIP C 10UF K	
C306			CC73GCH1H470J	CHIP C 47PF J	
C307			CK73GB1C104K	CHIP C 0.10UF K	
C310			CC73GCH1H220J	CHIP C 22PF J	
C312,313			CK73GB0J105K	CHIP C 1.0UF K	
C316			CK73GB0J105K	CHIP C 1.0UF K	
C317			CC73GCH1H180J	CHIP C 18PF J	
C319,320			CK73GB0J225K	CHIP C 2.2UF K	
C321-323			CK73GB0J105K	CHIP C 1.0UF K	
C324			CK73GB1H223K	CHIP C 0.022UF K	
C325			CK73GB0J475K	CHIP C 4.7UF K	
C326			CK73GB1C104K	CHIP C 0.10UF K	
C334			CK73GB1C104K	CHIP C 0.10UF K	
C337			CK73GB1A474K	CHIP C 0.47UF K	
C338			CK73EB0J106K	CHIP C 10UF K	
C339			CK73GB1H223K	CHIP C 0.022UF K	
C340			CK73GB0J105K	CHIP C 1.0UF K	
C341			CK73EB0J106K	CHIP C 10UF K	
C342,343			CK73GB0J105K	CHIP C 1.0UF K	
C344			CK73GB1H223K	CHIP C 0.022UF K	
C345-350			CK73GB0J105K	CHIP C 1.0UF K	
C351			CK73FB1A225K	CHIP C 2.2UF K	
C352,353			CK73GB1H103K	CHIP C 0.010UF K	

Ref. No.	Add	New	Parts No.	Description	Destination
C354,355			CK73FB1A225K	CHIP C 2.2UF K	
C356			CK73GB1C104K	CHIP C 0.10UF K	
C357			CK73EB0J106K	CHIP C 10UF K	
C358			CK73GB1C104K	CHIP C 0.10UF K	
C361			C92-1685-05	ELECTRO 47UF 6.3WV	
C362			CK73GB1C104K	CHIP C 0.10UF K	
C363			CK73EB0J106K	CHIP C 10UF K	
C364			CC73GCH1H331J	CHIP C 330PF J	
C365			CK73GB0J105K	CHIP C 1.0UF K	
C366,367			CK73GB1C104K	CHIP C 0.10UF K	
C368			CK73GB0J105K	CHIP C 1.0UF K	
C370			CK73GB1H103K	CHIP C 0.010UF K	
C371			CK73GB0J475K	CHIP C 4.7UF K	
C372			CK73GB1H153K	CHIP C 0.015UF K	
C373			CC73GCH1H151J	CHIP C 150PF J	
C374			CC73GCH1E102J	CHIP C 1000PF J	
C375			CC73GCH1H470J	CHIP C 47PF J	
C376			CC73GCH1H150J	CHIP C 15PF J	
C400			CC73GCH1H100D	CHIP C 10PF D	
C401			CC73GCH1H120J	CHIP C 12PF J	
C402			CK73EB0J106K	CHIP C 10UF K	
C403			CK73GB1C104K	CHIP C 0.10UF K	
C404			CK73GB0J105K	CHIP C 1.0UF K	
C405-409			CK73GB1C104K	CHIP C 0.10UF K	
C410			CK73EB0J106K	CHIP C 10UF K	
C411			CK73GB1C104K	CHIP C 0.10UF K	
C412			CK73GB0J105K	CHIP C 1.0UF K	
C413-416			CK73GB1C104K	CHIP C 0.10UF K	
C501			CK73DF1C106Z	CHIP C 10UF Z	
C520,521			CK73EB0J106K	CHIP C 10UF K	
C522			CK73GB1C104K	CHIP C 0.10UF K	
C540			CK73GB0J105K	CHIP C 1.0UF K	
C541			CC73GCH1H120J	CHIP C 12PF J	
C542			CC73GCH1H100D	CHIP C 10PF D	
C561-567			CK73GB1C104K	CHIP C 0.10UF K	
C580			CK73GB1C104K	CHIP C 0.10UF K	
C581			CK73FB1H104K	CHIP C 0.10UF K	
C601-606			CK73GB1C104K	CHIP C 0.10UF K	
C607			CK73GB0J105K	CHIP C 1.0UF K	
C608-614			CK73GB1C104K	CHIP C 0.10UF K	
C615,616			CK73EB0J106K	CHIP C 10UF K	
C617			CK73GB0J105K	CHIP C 1.0UF K	
C618-628			CK73GB1C104K	CHIP C 0.10UF K	
C650			CK73GB1C104K	CHIP C 0.10UF K	
C651-658			CK73GB0J105K	CHIP C 1.0UF K	
C659			C92-1452-05	ELECTRO 100UF 10WV	
C660			CK73EB0J106K	CHIP C 10UF K	
C661			CK73GB0J105K	CHIP C 1.0UF K	
C662			CK73GB1C104K	CHIP C 0.10UF K	
C663			CK73EB0J106K	CHIP C 10UF K	
C664			C92-1452-05	ELECTRO 100UF 10WV	
C665-668			CK73GB1C104K	CHIP C 0.10UF K	
C669			CK73EB0J106K	CHIP C 10UF K	
C670			CK73GB1C104K	CHIP C 0.10UF K	
C671,672			CK73GB0J105K	CHIP C 1.0UF K	

K : North America

△ Indicates safety critical components.

PARTS LIST

VIDEO CONTROL UNIT (X14-9510-13)

Ref. No.	Add	New	Parts No.	Description	Destination	Ref. No.	Add	New	Parts No.	Description	Destination
C673			CK73GB1C104K	CHIP C 0.10UF K		L651			L92-0373-05	CHIP FERRITE	
C675			CK73GB0J105K	CHIP C 1.0UF K		L701,702			L40-1001-78	SMALL FIXED INDUCTOR (10UH)	
C701			CK73GB1H332K	CHIP C 3300PF K		X200			L78-0892-05	RESONATOR (19M)	
C702,703			CC73GCH1H681J	CHIP C 680PF J		X201			L77-2304-05	CRYSTAL RESONATOR (32.768KHZ)	
C704			CK73GB1C104K	CHIP C 0.10UF K		X300			L77-2806-05	CRYSTAL RESONATOR (3.579545MHZ)	
C705			CK73DF1C106Z	CHIP C 10UF Z		X360			L78-0549-05	RESONATOR (15.734KHZ)	
C706			CK73EB1A475K	CHIP C 4.7UF K		X540			L77-2866-05	CRYSTAL RESONATOR (27MHZ)	
C707			CC73GCH1H101J	CHIP C 100PF J		CP400-407			RK74HB1J330J	CHIP-COM 33 J 1/16W	
C708			CK73GB1H332K	CHIP C 3300PF K		CP501-505			RK74HB1J471J	CHIP-COM 470 J 1/16W	
C709,710			CC73GCH1H681J	CHIP C 680PF J		CP506-510			RK74HB1J103J	CHIP-COM 10K J 1/16W	
C711			CK73EB1A475K	CHIP C 4.7UF K		CP601-604			RK74HB1J472J	CHIP-COM 4.7K J 1/16W	
C712			CC73GCH1H101J	CHIP C 100PF J		CP605			RK74HB1J470J	CHIP-COM 47 J 1/16W	
C713			CK73DF1C106Z	CHIP C 10UF Z		CP606-612			RK74HB1J220J	CHIP-COM 22 J 1/16W	
C714,715			CK73GB1C104K	CHIP C 0.10UF K		CP613,614			RK74HB1J330J	CHIP-COM 33 J 1/16W	
C717			CK73EBOJ106K	CHIP C 10UF K		CP615-618			RK74HB1J472J	CHIP-COM 4.7K J 1/16W	
C718			CK73GB1C104K	CHIP C 0.10UF K		CP619-625			RK74HB1J220J	CHIP-COM 22 J 1/16W	
C751			CC73GCH1H220J	CHIP C 22PF J		R100,101			RK73GB2A223J	CHIP R 22K J 1/10W	
C752			CK73GB1C104K	CHIP C 0.10UF K		R102	*		RN73GH1J9531D	CHIP R 9.53K D 1/16W	
C770,771			CK73GB1C104K	CHIP C 0.10UF K		R103			RK73GB2A681J	CHIP R 680 J 1/10W	
C772			CK73EBOJ106K	CHIP C 10UF K		R104	*		RN73GH1J9531D	CHIP R 9.53K D 1/16W	
C773			CK73FB1H104K	CHIP C 0.10UF K		R105			RN73GH1J433D	CHIP R 43K D 1/16W	
C800			CC73GCH1H101J	CHIP C 100PF J		R106	*		RN73GH1J9531D	CHIP R 9.53K D 1/16W	
C802			CK73GB0J105K	CHIP C 1.0UF K		R107			RK73GB2A103J	CHIP R 10K J 1/10W	
C803			CC73GCH1H101J	CHIP C 100PF J		R108			RK73GB2A432J	CHIP R 4.3K J 1/10W	
C918			C92-1485-05	CHIP-C 22UF 6.3WV		R109			RK73GB2A472J	CHIP R 4.7K J 1/10W	
C919-922			CK73GB1H104K	CHIP C 0.10UF K		R110			RK73GB2A363J	CHIP R 36K J 1/10W	
C925-927			CK73GB1C104K	CHIP C 0.10UF K		R111			RK73GB2A473J	CHIP R 47K J 1/10W	
TC1			C05-0516-05	CERAMIC TRIMMER CAPACITOR (10PF)		R112			RK73GB2A513J	CHIP R 51K J 1/10W	
CN101			E40-9449-05	PIN ASSY		R113			RK73GB2A363J	CHIP R 36K J 1/10W	
CN501			E41-2114-05	FLAT CABLE CONNECTOR		R114			RK73GB2A104J	CHIP R 100K J 1/10W	
CN770			E40-9409-05	PIN ASSY		R115			R92-3323-05	CHIP R 3.3K J 1/2W	
CN802			E41-2051-05	PIN ASSY		R116			RK73GB2A912J	CHIP R 9.1K J 1/10W	
CN803			E41-2077-05	PIN ASSY		R117			RK73GB2A153J	CHIP R 15K J 1/10W	
CN850			E41-0341-05	FLAT CABLE CONNECTOR		R118			RK73FB2B123J	CHIP R 12K J 1/8W	
CN851			E41-0267-05	FLAT CABLE CONNECTOR		R119			RN73GH1J2552D	CHIP R 25.5K D 1/16W	
CN904			E41-2074-05	PIN ASSY		R120			RN73GH1J154D	CHIP R 150K D 1/16W	
CF100-105			L72-0780-05	CERAMIC FILTER		R121			RK73GB2A473J	CHIP R 47K J 1/10W	
L100			L19-0733-05	TRANSFORMER FOR CONVERTER		R122			RK73GB2A512J	CHIP R 5.1K J 1/10W	
L101-105			L33-1906-05	CHOKE COIL		R123			RK73GB2A472J	CHIP R 4.7K J 1/10W	
L106,107			L40-1001-78	SMALL FIXED INDUCTOR (10UH)		R124			RK73GB2A242J	CHIP R 2.4K J 1/10W	
L108			L79-0958-05	LINE FILTER		R125			RN73GH1J104D	CHIP R 100K D 1/16W	
L109			L92-0373-05	CHIP FERRITE		R126			RN73GH1J2212D	CHIP R 22.1K D 1/16W	
L200			L92-0319-05	CHIP FERRITE		R127			RN73GH1J154D	CHIP R 150K D 1/16W	
L300			L40-4705-79	SMALL FIXED INDUCTOR (47UH)		R128			RK73EB2E102J	CHIP R 1.0K J 1/4W	
L350			L40-1001-78	SMALL FIXED INDUCTOR (10UH)		R129			RK73GB2A473J	CHIP R 47K J 1/10W	
L400			L40-1001-78	SMALL FIXED INDUCTOR (10UH)		R130			RN73GH1J132D	CHIP R 1.3K D 1/16W	
L401			L41-2205-33	SMALL FIXED INDUCTOR (22U)		R131-136			RK73GB2A104J	CHIP R 100K J 1/10W	
L402			L40-1001-78	SMALL FIXED INDUCTOR (10UH)		R137-139			RK73GB2A101J	CHIP R 100 J 1/10W	
L520,521			L92-0373-05	CHIP FERRITE		R140			RK73GB2A201J	CHIP R 200 J 1/10W	
L540			L40-1001-78	SMALL FIXED INDUCTOR (10UH)		R141			RK73GB2A103J	CHIP R 10K J 1/10W	
L560			L92-0373-05	CHIP FERRITE		R142			RK73GB2A273J	CHIP R 27K J 1/10W	
L601			L92-0373-05	CHIP FERRITE		R143			RK73GB2A100J	CHIP R 10 J 1/10W	
L603			L92-0373-05	CHIP FERRITE		R144			RK73GB2A222J	CHIP R 2.2K J 1/10W	
L650			L40-1001-78	SMALL FIXED INDUCTOR (10UH)		R145			RK73GB2A332J	CHIP R 3.3K J 1/10W	

K : North America

△ Indicates safety critical components.

PARTS LIST

VIDEO CONTROL UNIT (X14-9510-13)

Ref. No.	Add	New	Parts No.	Description	Destination	Ref. No.	Add	New	Parts No.	Description	Destination
R146			RK73GB2A303J	CHIP R 30K J 1/10W		R243			RK73GB2A102J	CHIP R 1.0K J 1/10W	
R147			RK73GB2A622J	CHIP R 6.2K J 1/10W		R244			RK73GB2A473J	CHIP R 47K J 1/10W	
R148			RN73GH1J102D	CHIP R 1.0K D 1/16W		R248-254			RK73GB2A104J	CHIP R 100K J 1/10W	
R149			RN73GH1J622D	CHIP R 6.2K D 1/16W		R256-258			RK73GB2A101J	CHIP R 100 J 1/10W	
R150			RN73GH1J102D	CHIP R 1.0K D 1/16W		R259			RK73GB2A104J	CHIP R 100K J 1/10W	
R151			RN73GH1J242D	CHIP R 2.4K D 1/16W		R300			RK73GB2A471J	CHIP R 470 J 1/10W	
R152			RN73GH1J102D	CHIP R 1.0K D 1/16W		R302			RK73GB2A152J	CHIP R 1.5K J 1/10W	
R153			RN73GH1J682D	CHIP R 6.8K D 1/16W		R303			RK73GB2A752J	CHIP R 7.5K J 1/10W	
R154,155			RN73GH1J102D	CHIP R 1.0K D 1/16W		R304,305			RK73GB2A101J	CHIP R 100 J 1/10W	
R156			RN73GH1J4021D	CHIP R 4.02K D 1/16W		R306			RK73GB2A103J	CHIP R 10K J 1/10W	
R157			RN73GH1J752D	CHIP R 7.5K D 1/16W		R307			RK73GB2A332J	CHIP R 3.3K J 1/10W	
R158			RN73GH1J102D	CHIP R 1.0K D 1/16W		R308			RK73GB2A105J	CHIP R 1.0M J 1/10W	
R159			RN73GH1J622D	CHIP R 6.2K D 1/16W		R309-312			RK73GB2A101J	CHIP R 100 J 1/10W	
R160			RK73GH2A113D	CHIP R 11K D 1/10W		R313			RK73GB2A473J	CHIP R 47K J 1/10W	
R161			R92-3416-05	CHIP R 0.27 1/2W		R360,361			RK73GB2A303J	CHIP R 30K J 1/10W	
R162			RK73GB2A104J	CHIP R 100K J 1/10W		R362			RK73GB2A472J	CHIP R 4.7K J 1/10W	
R164			RK73GB2A102J	CHIP R 1.0K J 1/10W		R363			RK73GB2A202J	CHIP R 2.0K J 1/10W	
R165			RK73GB2A473J	CHIP R 47K J 1/10W		R364			RK73GB2A361J	CHIP R 360 J 1/10W	
R166			RK73GB2A272J	CHIP R 2.7K J 1/10W		R365			RK73GB2A914J	CHIP R 910K J 1/10W	
R168			RK73GB2A102J	CHIP R 1.0K J 1/10W		R366,367			RK73GB2A471J	CHIP R 470 J 1/10W	
R169			RK73GB2A223J	CHIP R 22K J 1/10W		R368			RK73GB2A102J	CHIP R 1.0K J 1/10W	
R170			RK73GB2A103J	CHIP R 10K J 1/10W		R369			RK73GB2A471J	CHIP R 470 J 1/10W	
R171			RK73GB2A563J	CHIP R 56K J 1/10W		R370			RK73GB2A302J	CHIP R 3.0K J 1/10W	
R172			RK73GB2A102J	CHIP R 1.0K J 1/10W		R371			RN73GH1J182D	CHIP R 1.8K D 1/16W	
R173		*	RN73GH1J1402D	CHIP R 14.0K D 1/16W		R372			RN73GH1J391D	CHIP R 390 D 1/16W	
R174			RN73GH1J333D	CHIP R 33K D 1/16W		R373			RK73GB2A101J	CHIP R 100 J 1/10W	
R175		*	RN73GH1J1402D	CHIP R 14.0K D 1/16W		R374			RK73GB2A471J	CHIP R 470 J 1/10W	
R176			RN73GH1J333D	CHIP R 33K D 1/16W		R375			RK73GB2A101J	CHIP R 100 J 1/10W	
R177		*	RN73GH1J1402D	CHIP R 14.0K D 1/16W		R380-383			RK73GB2A101J	CHIP R 100 J 1/10W	
R178			RN73GH1J333D	CHIP R 33K D 1/16W		R384,385			RK73GB2A471J	CHIP R 470 J 1/10W	
R200			RK73GB2A103J	CHIP R 10K J 1/10W		R386			RK73GB2A102J	CHIP R 1.0K J 1/10W	
R202			RK73GB2A103J	CHIP R 10K J 1/10W		R387			RN73GH1J473D	CHIP R 47K D 1/16W	
R204			RK73GB2A103J	CHIP R 10K J 1/10W		R388			RK73GB2A471J	CHIP R 470 J 1/10W	
R207			RK73GB2A103J	CHIP R 10K J 1/10W		R389			RK73GB2A272J	CHIP R 2.7K J 1/10W	
R208-211			RK73GB2A104J	CHIP R 100K J 1/10W		R400			RK73GB2A103J	CHIP R 10K J 1/10W	
R212			RK73GB2A471J	CHIP R 470 J 1/10W		R401			RK73GB2A680J	CHIP R 68 J 1/10W	
R213,214			RK73GB2A103J	CHIP R 10K J 1/10W		R402			RK73GB2A152J	CHIP R 1.5K J 1/10W	
R215			RK73GB2A514J	CHIP R 510K J 1/10W		R403			RK73GB2A101J	CHIP R 100 J 1/10W	
R216			RK73GB2A472J	CHIP R 4.7K J 1/10W		R404			RK73GB2A472J	CHIP R 4.7K J 1/10W	
R217			RK73GB2A104J	CHIP R 100K J 1/10W		R405			RK73GB2A272J	CHIP R 2.7K J 1/10W	
R218			RK73GB2A225J	CHIP R 2.2M J 1/10W		R406			RK73GB2A101J	CHIP R 100 J 1/10W	
R219			RK73GB2A102J	CHIP R 1.0K J 1/10W		R407			RK73GB2A272J	CHIP R 2.7K J 1/10W	
R222			RK73GB2A104J	CHIP R 100K J 1/10W		R408			RK73GB2A101J	CHIP R 100 J 1/10W	
R223			RK73GB2A102J	CHIP R 1.0K J 1/10W		R409			RK73GB2A272J	CHIP R 2.7K J 1/10W	
R224			RK73GB2A104J	CHIP R 100K J 1/10W		R410,411			RK73GB2A104J	CHIP R 100K J 1/10W	
R225-227			RK73GB2A102J	CHIP R 1.0K J 1/10W		R412			RK73GB2A102J	CHIP R 1.0K J 1/10W	
R228-233			RK73GB2A104J	CHIP R 100K J 1/10W		R413			RK73GB2A472J	CHIP R 4.7K J 1/10W	
R234			RK73GB2A123J	CHIP R 12K J 1/10W		R415-417			RK73GB2A151J	CHIP R 150 J 1/10W	
R235			RK73GB2A473J	CHIP R 47K J 1/10W		R501			RK73GB2A330J	CHIP R 33 J 1/10W	
R236			RK73GB2A123J	CHIP R 12K J 1/10W		R502			RK73GB2A103J	CHIP R 10K J 1/10W	
R238			RK73GB2A123J	CHIP R 12K J 1/10W		R503			RK73GB2A820J	CHIP R 82 J 1/10W	
R239			RK73GB2A104J	CHIP R 100K J 1/10W		R504,505			RK73GB2A220J	CHIP R 22 J 1/10W	
R240			RK73GB2A123J	CHIP R 12K J 1/10W		R506,507			RK73GB2A820J	CHIP R 82 J 1/10W	
R241			RK73GB2A102J	CHIP R 1.0K J 1/10W		R508			RK73GB2A471J	CHIP R 470 J 1/10W	
R242			RK73GB2A104J	CHIP R 100K J 1/10W		R509,510			R92-2104-05	CHIP R 2.2 J 1W	

K : North America

△ Indicates safety critical components.

PARTS LIST

VIDEO CONTROL UNIT (X14-9510-13)

Ref. No.	Add	New	Parts No.	Description	Destination	Ref. No.	Add	New	Parts No.	Description	Destination
R520			RK73GB2A472J	CHIP R 4.7K J 1/10W		R771			RK73GB2A222J	CHIP R 2.2K J 1/10W	
R522-528			RK73GB2A103J	CHIP R 10K J 1/10W		R772-776			RK73GB2A472J	CHIP R 4.7K J 1/10W	
R529,530			RK73GB2A472J	CHIP R 4.7K J 1/10W		R801-803			RK73EB2E102J	CHIP R 1.0K J 1/4W	
R531,532			RK73GB2A104J	CHIP R 100K J 1/10W		R805-810			RK73EB2E101J	CHIP R 100 J 1/4W	
R540,541			RK73GB2A330J	CHIP R 33 J 1/10W		R811-814			RK73GB2A750J	CHIP R 75 J 1/10W	
R542			RK73GB2A105J	CHIP R 1.0M J 1/10W		R850-857			RK73GB2A101J	CHIP R 100 J 1/10W	
R544			RK73GB2A102J	CHIP R 1.0K J 1/10W		R859-866			RK73GB2A101J	CHIP R 100 J 1/10W	
R586			RK73GB2A152J	CHIP R 1.5K J 1/10W		R867			RK73GB2A102J	CHIP R 1.0K J 1/10W	
R587			RK73GB2A332J	CHIP R 3.3K J 1/10W		R916-919			RK73EB2E101J	CHIP R 100 J 1/4W	
R601-603			RK73GB2A472J	CHIP R 4.7K J 1/10W		R922			RK73GB2A102J	CHIP R 1.0K J 1/10W	
R604			RK73GB2A470J	CHIP R 47 J 1/10W		R924			RK73GB2A103J	CHIP R 10K J 1/10W	
R605-610			RK73GB2A220J	CHIP R 22 J 1/10W		R925			RN73GH1J123D	CHIP R 12K D 1/16W	
R612,613			RK73GB2A220J	CHIP R 22 J 1/10W		R926			RN73GH1J152D	CHIP R 1.5K D 1/16W	
R614			RK73GB2A330J	CHIP R 33 J 1/10W		R927			RN73GH1J243D	CHIP R 24K D 1/16W	
R615-617			RK73GB2A472J	CHIP R 4.7K J 1/10W		R929			RK73GB2A102J	CHIP R 1.0K J 1/10W	
R618,619			RK73GB2A220J	CHIP R 22 J 1/10W		W104,105			R92-1252-05	CHIP R 0 OHM J 1/16W	
R620-627			RK73GB2A472J	CHIP R 4.7K J 1/10W		W107			R92-1252-05	CHIP R 0 OHM J 1/16W	
R650			RK73GB2A332J	CHIP R 3.3K J 1/10W		W109-117			R92-1252-05	CHIP R 0 OHM J 1/16W	
R651-654			RK73GB2A102J	CHIP R 1.0K J 1/10W		W121,122			R92-1252-05	CHIP R 0 OHM J 1/16W	
R655			RK73GB2A750J	CHIP R 75 J 1/10W		W163			R92-1252-05	CHIP R 0 OHM J 1/16W	
R656			RK73GB2A511J	CHIP R 510 J 1/10W		W164,165			R92-2053-05	CHIP R 0 OHM J 1/8W	
R657			RK73GB2A152J	CHIP R 1.5K J 1/10W		W202			R92-1252-05	CHIP R 0 OHM J 1/16W	
R658,659			RK73GB2A102J	CHIP R 1.0K J 1/10W		W237			R92-1252-05	CHIP R 0 OHM J 1/16W	
R660			RK73GB2A103J	CHIP R 10K J 1/10W		W300-302			R92-1252-05	CHIP R 0 OHM J 1/16W	
R661,662			RK73GB2A472J	CHIP R 4.7K J 1/10W		W360			R92-1252-05	CHIP R 0 OHM J 1/16W	
R663,664			RK73GB2A101J	CHIP R 100 J 1/10W		W401			R92-1252-05	CHIP R 0 OHM J 1/16W	
R665-668			RN73GH1J750D	CHIP R 75 D 1/16W		W408-414			R92-1252-05	CHIP R 0 OHM J 1/16W	
R669			RN73GH1J151D	CHIP R 150 D 1/16W		W501			R92-1252-05	CHIP R 0 OHM J 1/16W	
R670			RK73GB2A103J	CHIP R 10K J 1/10W		W522			R92-1252-05	CHIP R 0 OHM J 1/16W	
R671,672			RK73GB2A104J	CHIP R 100K J 1/10W		W580,581			R92-1252-05	CHIP R 0 OHM J 1/16W	
R673			RN73GH1J151D	CHIP R 150 D 1/16W		W601			R92-1252-05	CHIP R 0 OHM J 1/16W	
R677			RK73GB2A432J	CHIP R 4.3K J 1/10W		W603,604			R92-1252-05	CHIP R 0 OHM J 1/16W	
R678			RK73GB2A472J	CHIP R 4.7K J 1/10W		W606-609			R92-1252-05	CHIP R 0 OHM J 1/16W	
R701,702			RK73GB2A472J	CHIP R 4.7K J 1/10W		W650-652			R92-1252-05	CHIP R 0 OHM J 1/16W	
R703			RK73GB2A302J	CHIP R 3.0K J 1/10W		W654			R92-1252-05	CHIP R 0 OHM J 1/16W	
R704,705			RK73GB2A201J	CHIP R 200 J 1/10W		W658			R92-1252-05	CHIP R 0 OHM J 1/16W	
R706			RK73GB2A302J	CHIP R 3.0K J 1/10W		W660			R92-1252-05	CHIP R 0 OHM J 1/16W	
R707			RK73GB2A471J	CHIP R 470 J 1/10W		W701			R92-1252-05	CHIP R 0 OHM J 1/16W	
R708			RK73GB2A182J	CHIP R 1.8K J 1/10W		W753			R92-1252-05	CHIP R 0 OHM J 1/16W	
R709			RK73GB2A100J	CHIP R 10 J 1/10W		W770			R92-1252-05	CHIP R 0 OHM J 1/16W	
R710,711			RK73GB2A472J	CHIP R 4.7K J 1/10W		W772-776			R92-1252-05	CHIP R 0 OHM J 1/16W	
R712			RK73GB2A302J	CHIP R 3.0K J 1/10W		W800			R92-2053-05	CHIP R 0 OHM J 1/8W	
R713,714			RK73GB2A201J	CHIP R 200 J 1/10W		W851			R92-1252-05	CHIP R 0 OHM J 1/16W	
R715			RK73GB2A302J	CHIP R 3.0K J 1/10W		W853			R92-1252-05	CHIP R 0 OHM J 1/16W	
R716			RK73GB2A471J	CHIP R 470 J 1/10W		W857,858			R92-2052-05	CHIP R 0 OHM J 1/10W	
R717			RK73GB2A182J	CHIP R 1.8K J 1/10W		W859-867			R92-1252-05	CHIP R 0 OHM J 1/16W	
R718			RK73GB2A100J	CHIP R 10 J 1/10W		W869,870			R92-1252-05	CHIP R 0 OHM J 1/16W	
R719			RK73GB2A682J	CHIP R 6.8K J 1/10W		W872-874			R92-1252-05	CHIP R 0 OHM J 1/16W	
R720			RK73GB2A222J	CHIP R 2.2K J 1/10W		W877,878			R92-1252-05	CHIP R 0 OHM J 1/16W	
R721			RK73GB2A392J	CHIP R 3.9K J 1/10W		W881-886			R92-1252-05	CHIP R 0 OHM J 1/16W	
R722			RK73GB2A102J	CHIP R 1.0K J 1/10W		W888			R92-1252-05	CHIP R 0 OHM J 1/16W	
R723,724			RK73GB2A223J	CHIP R 22K J 1/10W		W920			R92-2053-05	CHIP R 0 OHM J 1/8W	
R725			RK73GB2A103J	CHIP R 10K J 1/10W		D100			1SR154-400	DIODE	
R753			RK73GB2A470J	CHIP R 47 J 1/10W		D101			RD16S	ZENER DIODE	
R770			RK73GB2A103J	CHIP R 10K J 1/10W							

K : North America

△ Indicates safety critical components.

PARTS LIST

VIDEO CONTROL UNIT (X14-9510-13)

Ref. No.	Add	New	Parts No.	Description	Destination
D102			RD6.8M (B2)	ZENER DIODE	
D104			DAN202U	DIODE	
D105			RD6.8M (B2)	ZENER DIODE	
D106			DAN202U	DIODE	
D107			MA3062-M	ZENER DIODE	
D108-111			EC31QS04	DIODE	
D113			EC31QS04	DIODE	
D114,115			SB05-05CP	DIODE	
D116			MA2S784	DIODE	
D300			DAN202U	DIODE	
D301-303			DA204U	DIODE	
D501			DA204U	DIODE	
D701			DAP202U	DIODE	
D702			DA204U	DIODE	
D800-804			MA3062WA	ZENER DIODE	
D850-860			AVRM1608120M6A	VARIATOR	
D861			MA8062-M	ZENER DIODE	
D862			DA204U	DIODE	
D919,920			MA3062WA	ZENER DIODE	
D924			AVRM1608120M6A	VARIATOR	
IC100-102			FA7703V	ANALOGUE IC	
IC103			TA78DL05F	ANALOGUE IC	
IC104			PQ1X331M2ZP	ANALOGUE IC	
IC105			TC75W56FU	MOS-IC	
IC106			TC7SH04FU	MOS-IC	
IC107			M5237ML	ANALOGUE IC	
IC108			SI-3012KM	ANALOGUE IC	
IC200			S-24CS02AFT	ROM IC	
IC203			LB1836M-TE-L	ANALOGUE IC	
IC204		*	703068YGJ-125	MICROCONTROLLER IC	
IC205			TC7SH08F	MOS-IC	
IC206			TC7W14FU	MOS-IC	
IC207		*	PST9142NR-E	ANALOGUE IC	
IC300			TA78L05F	ANALOGUE IC	
IC303			AN2546FH-AV	ANALOGUE IC	
IC304		*	MM1234XFBE-E	ANALOGUE IC	
IC305			NJU7200U30	ANALOGUE IC	
IC306			TC7SH04FU	MOS-IC	
IC361			TC7W00FU	MOS-IC	
IC362			NJW1303V	ANALOGUE IC	
IC363,364			TC7W34FU	MOS-IC	
IC365			TC7WH123FU	MOS-IC	
IC400			LC74735NW9817E	MOS-IC	
IC401			MB29LV8T9TN6R2	ROM IC	
IC520		*	29LV160BT12T1	ROM IC	
IC521			K6F1008V2CYF55	SRAM IC	
IC522			TC7SH00FU	MOS-IC	
IC540,541			TC7SHU04FU	MOS-IC	
IC560			MT48LC4M16P71	DRAM IC	
IC580			TC74VHCT08AFT	MOS-IC	
IC601			ES6218SF	MOS-IC	
IC650		*	MM1567AJBE-E	ANALOGUE IC	
IC651			UPC2905T	ANALOGUE IC	
IC652			ADV7170KSU	MOS-IC	
IC701			NJM4580V-LF	ANALOGUE IC	

Ref. No.	Add	New	Parts No.	Description	Destination
IC702			TA78L05F	ANALOGUE IC	
IC703			AK4382AVT	ANALOGUE IC	
IC750			TC7SHU04FU	MOS-IC	
IC770			M4A3212VI8TV1	MOS-IC	
Q100-103			UN5212	DIGITAL TRANSISTOR	
Q104,105			2SD1819A	TRANSISTOR	
Q106			HAT1038R	FET	
Q107			2SC4081	TRANSISTOR	
Q108			DTA124EUA	DIGITAL TRANSISTOR	
Q109,110			HAT1016R	DUAL FET	
Q111			HAT3008R	DUAL FET	
Q112			2SB1184	TRANSISTOR	
Q113			2SA1576A	TRANSISTOR	
Q114			2SC4081	TRANSISTOR	
Q115			2SB1189	TRANSISTOR	
Q116			2SC4081	TRANSISTOR	
Q117			DTC323TU	DIGITAL TRANSISTOR	
Q118			2SB1218A	TRANSISTOR	
Q119			UN5212	DIGITAL TRANSISTOR	
Q120			2SA1576A	TRANSISTOR	
Q121			DTC144EUA	DIGITAL TRANSISTOR	
Q122			2SA1576A	TRANSISTOR	
Q123,124			2SC4081	TRANSISTOR	
Q170-175			DTC144EUA	DIGITAL TRANSISTOR	
Q200			UN5212	DIGITAL TRANSISTOR	
Q201			DTB123YK	DIGITAL TRANSISTOR	
Q202			UN5212	DIGITAL TRANSISTOR	
Q203			DTB123YK	DIGITAL TRANSISTOR	
Q204			UN5212	DIGITAL TRANSISTOR	
Q205			DTB123YK	DIGITAL TRANSISTOR	
Q206			UN5113	DIGITAL TRANSISTOR	
Q207			UN5212	DIGITAL TRANSISTOR	
Q360			2SC4081	TRANSISTOR	
Q361,362			2SA1576A	TRANSISTOR	
Q400-402			2SA1576A	TRANSISTOR	
Q650			DTA144EUA	DIGITAL TRANSISTOR	
Q652			DTC144EUA	DIGITAL TRANSISTOR	
Q701-703			2SC4081	TRANSISTOR	
Q704			DTC114TUA	DIGITAL TRANSISTOR	
Q705-707			DTA114TUA	DIGITAL TRANSISTOR	
ELECTRIC UNIT (X34-3470-10)					
C1			CK73GB1E473K	CHIP C	0.047UF K
C2			CD04AS1C100M	ELECTRO	10UF 16WV
C3			C90-5619-05	ELECTRO	220UF 16WV
C4			CD04BJ1A101M	ELECTRO	100UF 10WV
C6			CK73FB1C105K	CHIP C	1.0UF K
C7			CD04AY1A221M	ELECTRO	220UF 10WV
C10			CK73FB1A105K	CHIP C	1.0UF K
C11			CD04AY1A221M	ELECTRO	220UF 10WV
C21,22			CK73GB1H103K	CHIP C	0.010UF K
C23			C90-5612-05	ELECTRO	3900UF 16WV
C24			CK73FB1C105K	CHIP C	1.0UF K
C25			CK73GB1C104K	CHIP C	0.10UF K
C26			CK73FB1C105K	CHIP C	1.0UF K
C27			CD04AS1H3R3M	ELECTRO	3.3UF 50WV

K : North America

△ Indicates safety critical components.

PARTS LIST

ELECTRIC UNIT (X34-3470-10)

Ref. No.	Add	New	Parts No.	Description	Destination	Ref. No.	Add	New	Parts No.	Description	Destination
C28,29			CK73GB1H103K	CHIP C 0.010UF K		C450,451			C92-0687-05	ELECTRO 2.2UF 50WV	
C100			CK73GB1H104K	CHIP C 0.10UF K		C452			C92-0674-05	ELECTRO 47UF 16WV	
C101			CK73GB1H103K	CHIP C 0.010UF K		C453			CD04AS1C100M	ELECTRO 10UF 16WV	
C102			CK73GB1H104K	CHIP C 0.10UF K		C454			C92-1429-05	ELECTRO 220UF 6.3WV	
C104			CK73GB1H103K	CHIP C 0.010UF K		C455			CK73GB1C104K	CHIP C 0.10UF K	
C105			CD04AT0J331M	ELECTRO 330UF 6.3WV		C456			C92-1429-05	ELECTRO 220UF 6.3WV	
C106,107			CC73GCH1H100D	CHIP C 10PF D		C457			CK73GB1C104K	CHIP C 0.10UF K	
C108-110			CK73GB1H103K	CHIP C 0.010UF K		C458			CK73GB1H103K	CHIP C 0.010UF K	
C111			CK73GB1A105K	CHIP C 1.0UF K		C459			C92-1429-05	ELECTRO 220UF 6.3WV	
C200,201			CC73GCH1H100D	CHIP C 10PF D		C460			CK73GB1C104K	CHIP C 0.10UF K	
C202-205			C92-1427-05	ELECTRO 100UF 16WV		C461			C92-1428-05	ELECTRO 330UF 6.3WV	
C211			CC73GCH1H331J	CHIP C 330PF J		C462			CK73GB1C104K	CHIP C 0.10UF K	
C212			CD04AS1C100M	ELECTRO 10UF 16WV		C463			CK73GB1H103K	CHIP C 0.010UF K	
C213-216			CK73GB1H103K	CHIP C 0.010UF K		C464,465			CK73GB1C104K	CHIP C 0.10UF K	
C217			CD04AS1C100M	ELECTRO 10UF 16WV		C500			CD04AS1H4R7M	ELECTRO 4.7UF 50WV	
C218			CK73GB1H103K	CHIP C 0.010UF K		C501			CD04AS0J470M	ELECTRO 47UF 6.3WV	
C250,251			C90-6711-05	ELECTRO 1UF 50WV		C502			CD04AS1H4R7M	ELECTRO 4.7UF 50WV	
C252			CK73GB1A105K	CHIP C 1.0UF K		C503			CK73GB1H103K	CHIP C 0.010UF K	
C253			CK73GB1A474K	CHIP C 0.47UF K		C504			CD04AS1C220M	ELECTRO 22UF 16WV	
C254-257			C90-5620-05	ELECTRO 0.47UF 50WV		C505			CD04AS1C100M	ELECTRO 10UF 16WV	
C258			CD04BA1C220M	ELECTRO 22UF 16WV		C550			CK73GB1H103K	CHIP C 0.010UF K	
C300			CK73FB1C334K	CHIP C 0.33UF K		C551			CK73GB1A105K	CHIP C 1.0UF K	
C301			CK73GB1A334K	CHIP C 0.33UF K		C552			CK73GB1H103K	CHIP C 0.010UF K	
C302			CK73FB1C334K	CHIP C 0.33UF K		C553			CD04AS0J470M	ELECTRO 47UF 6.3WV	
C303			CK73GB1A334K	CHIP C 0.33UF K		C554			CK73GB0J225K	CHIP C 2.2UF K	
C304			CK73FB1C334K	CHIP C 0.33UF K		C555			CD04AS1C100M	ELECTRO 10UF 16WV	
C305			CK73GB1A334K	CHIP C 0.33UF K		C556			CK73GB0J225K	CHIP C 2.2UF K	
C306			CK73FB1C334K	CHIP C 0.33UF K		C558,559			CK73GB1A105K	CHIP C 1.0UF K	
C307			CK73GB1A334K	CHIP C 0.33UF K		C560			CK73GB1H104K	CHIP C 0.10UF K	
C308,309			CK73GB1C104K	CHIP C 0.10UF K		C561			CK73GB0J225K	CHIP C 2.2UF K	
C310			CD04AS1C470M	ELECTRO 47UF 16WV		C562			CK73GB1H103K	CHIP C 0.010UF K	
C311			CK73GB1C104K	CHIP C 0.10UF K		C566			CK73GB1H103K	CHIP C 0.010UF K	
C312			CD04AS1H010M	ELECTRO 1UF 50WV		C569			CK73GB1H103K	CHIP C 0.010UF K	
C313-315			CK73GB1C104K	CHIP C 0.10UF K		C570			CK73GB1H561K	CHIP C 560PF K	
C316			CK73GB1H103K	CHIP C 0.010UF K		C571			CK73GB0J105K	CHIP C 1.0UF K	
C317			CC73GCH1H221J	CHIP C 220PF J		C572			CK73GB1H561K	CHIP C 560PF K	
C318			CK73GB1A474K	CHIP C 0.47UF K		C574			CK73GB1H103K	CHIP C 0.010UF K	
C319			CK73FB1C105K	CHIP C 1.0UF K		C600-605			CD04AS1C100M	ELECTRO 10UF 16WV	
C320			C92-0025-05	CHIP-ELE 3.3UF 50WV		C606	*		CD04BJ0J471M	ELECTRO 470UF 6.3WV	
C321			CD04AS1C470M	ELECTRO 47UF 16WV		C607			CD04AS1C100M	ELECTRO 10UF 16WV	
C322			CK73GB1H103K	CHIP C 0.010UF K		C609,610			CK73GB1H222K	CHIP C 2200PF K	
C323			C92-0025-05	CHIP-ELE 3.3UF 50WV		C611			CD04AS1C100M	ELECTRO 10UF 16WV	
C324-331			CK73FB1C105K	CHIP C 1.0UF K		C612			CD04AS1H4R7M	ELECTRO 4.7UF 50WV	
C332,333			CK73FB1A225K	CHIP C 2.2UF K		C613			CK73GB1H103K	CHIP C 0.010UF K	
C334			C92-1409-05	ELECTROLYTIC CAPACITOR		C614			CD04AS1H4R7M	ELECTRO 4.7UF 50WV	
C335,336			CK73FB1C105K	CHIP C 1.0UF K		C615			CD04AS1C220M	ELECTRO 22UF 16WV	
C339,340			CK73FB1C105K	CHIP C 1.0UF K		C616			CD04AS1A470M	ELECTRO 47UF 10WV	
C343-346			CK73FB1C105K	CHIP C 1.0UF K		C622			CD04AS1C100M	ELECTRO 10UF 16WV	
C350,351			CD04AS1H4R7M	ELECTRO 4.7UF 50WV		C627			CK73GB1H102K	CHIP C 1000PF K	
C352			CD04AS0J101M	ELECTRO 100UF 6.3WV		C629			CK73GB1H102K	CHIP C 1000PF K	
C353			CK73GB1H103K	CHIP C 0.010UF K		C631			CK73GB1H102K	CHIP C 1000PF K	
C354			CD04AS1C220M	ELECTRO 22UF 16WV		C633-635			CK73GB1H102K	CHIP C 1000PF K	
C355			CD04AS1C100M	ELECTRO 10UF 16WV		C643,644			CK73GB1H103K	CHIP C 0.010UF K	
C400			CD04AS0J470M	ELECTRO 47UF 6.3WV		C700			CD04BA1E4R7M	ELECTRO 4.7UF 25WV	
C401,402			CD04AS1H2R2M	ELECTRO 2.2UF 50WV		C701			CK73GB1H103K	CHIP C 0.010UF K	

K : North America

△ Indicates safety critical components.

PARTS LIST

ELECTRIC UNIT (X34-3470-10)

Ref. No.	Add	New	Parts No.	Description	Destination
C702			CD04BA1E4R7M	ELECTRO 4.7UF 25WV	
C703-706			C92-0671-05	ELECTRO 10UF 16WV	
C707			CK73GB1H103K	CHIP C 0.010UF K	
C708			CD04AS1C100M	ELECTRO 10UF 16WV	
C709,710			C92-1427-05	ELECTRO 100UF 16WV	
C711,712			CK73GB1C104K	CHIP C 0.10UF K	
C714			CK73GB1H103K	CHIP C 0.010UF K	
C715			CK73GB1H104K	CHIP C 0.10UF K	
C716			CC73GCH1H150J	CHIP C 15PF J	
C717-719			CK73GB1H103K	CHIP C 0.010UF K	
C723,724			CK73GB1H102K	CHIP C 1000PF K	
C770			CK73GB1H103K	CHIP C 0.010UF K	
C771			CD04AS1C100M	ELECTRO 10UF 16WV	
C954			CK73GB1H103K	CHIP C 0.010UF K	
C960			CK73GB1H103K	CHIP C 0.010UF K	
CN1			E41-0959-05	PIN ASSY	
CN3			E41-0959-05	PIN ASSY	
CN4,5			E40-9423-05	SOCKET FOR PIN ASSY	
CN7			E41-0422-05	FLAT CABLE CONNECTOR	
CN8			E41-2114-05	FLAT CABLE CONNECTOR	
CN9			E41-0422-05	FLAT CABLE CONNECTOR	
CN10			E41-2114-05	FLAT CABLE CONNECTOR	
CN200,201			E40-9421-05	PIN ASSY	
CN350			E41-0938-05	PIN ASSY	
CN450			E41-2074-05	PIN ASSY	
CN600			E41-0935-05	PIN ASSY	
CN601			E41-0934-05	PIN ASSY	
CN700			E41-2077-05	PIN ASSY	
J1			E58-0863-15	RECTANGULAR RECEPTACLE	
J400			E56-0843-05	CYLINDRICAL RECEPTACLE	
J450			E58-0899-05	RECTANGULAR RECEPTACLE	
J500			E58-0900-05	RECTANGULAR RECEPTACLE	
J700			E58-0886-05	RECTANGULAR RECEPTACLE	
J701			E56-0854-05	CYLINDRICAL RECEPTACLE	
W200		*	E30-6344-35	CORD WITH PLUG	
L2			L33-1102-05	CHOKE COIL	
L100			L41-1005-33	SMALL FIXED INDUCTOR (10U)	
L101			L92-0330-05	CHIP FERRITE	
L200-203			L41-4795-33	SMALL FIXED INDUCTOR (4.7U)	
L204			L33-1123-05	LINE FILTER	
L205			L41-4795-33	SMALL FIXED INDUCTOR (4.7U)	
L300			L41-4795-33	SMALL FIXED INDUCTOR (4.7U)	
L551			L41-1005-33	SMALL FIXED INDUCTOR (10U)	
L700			L41-1005-33	SMALL FIXED INDUCTOR (10U)	
X100			L77-2871-05	CRYSTAL RESONATOR (18.874MHZCX-	
X200			L77-2002-05	CRYSTAL RESONATOR	
M	2C		N86-2606-48	BINDING HEAD TAPTITE SCREW	
R1			RK73GB2A101J	CHIP R 100 J 1/10W	
R2			RK73GB2A223J	CHIP R 22K J 1/10W	
R3			RK73GB2A222J	CHIP R 2.2K J 1/10W	
R4			RK73GB2A223J	CHIP R 22K J 1/10W	
R5			RK73FB2B221J	CHIP R 220 J 1/8W	
R6			RK73GB2A153J	CHIP R 15K J 1/10W	

Ref. No.	Add	New	Parts No.	Description	Destination
R7			RN73GH1J243D	CHIP R 24K D 1/16W	
R8			RN73GH1J432D	CHIP R 4.3K D 1/16W	
R15			RK73FB2B221J	CHIP R 220 J 1/8W	
R16			RK73GB2A153J	CHIP R 15K J 1/10W	
R17			RN73GH1J153D	CHIP R 15K D 1/16W	
R18			RN73GH1J512D	CHIP R 5.1K D 1/16W	
R30			RK73EB2E102J	CHIP R 1.0K J 1/4W	
R31			RK73EB2E103J	CHIP R 10K J 1/4W	
R32			RK73EB2E472J	CHIP R 4.7K J 1/4W	
R33			RK73GB2A104J	CHIP R 100K J 1/10W	
R34,35			R92-0365-05	CHIP R 1.0K J 1/2W	
R36			RK73GB2A223J	CHIP R 22K J 1/10W	
R37,38			RK73FB2B472J	CHIP R 4.7K J 1/8W	
R39			R92-0366-05	CHIP R 560 J 1W	
R40			RK73GB2A223J	CHIP R 22K J 1/10W	
R41			RK73GB2A103J	CHIP R 10K J 1/10W	
R42			RK73GB2A223J	CHIP R 22K J 1/10W	
R43			RK73GB2A104J	CHIP R 100K J 1/10W	
R44			RK73GB2A223J	CHIP R 22K J 1/10W	
R45			RK73FB2B561J	CHIP R 560 J 1/8W	
R46			RK73GB2A473J	CHIP R 47K J 1/10W	
R47			RK73GB2A102J	CHIP R 1.0K J 1/10W	
R50			RK73GB2A104J	CHIP R 100K J 1/10W	
R100			RK73GB2A104J	CHIP R 100K J 1/10W	
R101,102			RK73GB2A103J	CHIP R 10K J 1/10W	
R104-106			RK73GB2A104J	CHIP R 100K J 1/10W	
R107-109			RK73GB2A101J	CHIP R 100 J 1/10W	
R110			RK73GB2A104J	CHIP R 100K J 1/10W	
R112,113			RK73GB2A101J	CHIP R 100 J 1/10W	
R114			RK73GB2A510J	CHIP R 51 J 1/10W	
R115,116			RK73GB2A104J	CHIP R 100K J 1/10W	
R117			RK73GB2A101J	CHIP R 100 J 1/10W	
R118			RK73GB2A472J	CHIP R 4.7K J 1/10W	
R119			RK73GB2A101J	CHIP R 100 J 1/10W	
R120			RK73GB2A472J	CHIP R 4.7K J 1/10W	
R121,122			RK73GB2A102J	CHIP R 1.0K J 1/10W	
R123			RK73GB2A473J	CHIP R 47K J 1/10W	
R124			RK73GB2A102J	CHIP R 1.0K J 1/10W	
R125			RK73GB2A223J	CHIP R 22K J 1/10W	
R126			RK73GB2A102J	CHIP R 1.0K J 1/10W	
R127			RK73GB2A103J	CHIP R 10K J 1/10W	
R128			RK73GB2A101J	CHIP R 100 J 1/10W	
R129			RK73GB2A103J	CHIP R 10K J 1/10W	
R130			RK73GB2A101J	CHIP R 100 J 1/10W	
R131			RK73GB2A103J	CHIP R 10K J 1/10W	
R132			RK73GB2A101J	CHIP R 100 J 1/10W	
R133			RK73GB2A222J	CHIP R 2.2K J 1/10W	
R134,135			RK73GB2A104J	CHIP R 100K J 1/10W	
R136			RK73GB2A101J	CHIP R 100 J 1/10W	
R137-143			RK73GB2A104J	CHIP R 100K J 1/10W	
R144			RK73GB2A223J	CHIP R 22K J 1/10W	
R145,146			RK73GB2A104J	CHIP R 100K J 1/10W	
R147			RK73GB2A101J	CHIP R 100 J 1/10W	
R148			RK73GB2A103J	CHIP R 10K J 1/10W	
R150			RK73GB2A104J	CHIP R 100K J 1/10W	

K : North America

△ Indicates safety critical components.

PARTS LIST

ELECTRIC UNIT (X34-3470-10)

Ref. No.	Add	New	Parts No.	Description	Destination	Ref. No.	Add	New	Parts No.	Description	Destination
R156,157			RK73GB2A103J	CHIP R 10K J 1/10W		R603,604			RK73FB2B361J	CHIP R 360 J 1/8W	
R160,161			RK73GB2A103J	CHIP R 10K J 1/10W		R605,606			RK73GB2A223J	CHIP R 22K J 1/10W	
R163			RK73GB2A103J	CHIP R 10K J 1/10W		R607,608			RK73FB2B361J	CHIP R 360 J 1/8W	
R170-175			RK73GB2A101J	CHIP R 100 J 1/10W		R609,610			RK73GB2A223J	CHIP R 22K J 1/10W	
R177			RK73GB2A223J	CHIP R 22K J 1/10W		R611			RK73FB2B361J	CHIP R 360 J 1/8W	
R178			RK73GB2A102J	CHIP R 1.0K J 1/10W		R612			RK73EB2E430J	CHIP R 43 J 1/4W	
R200			RK73GB2A223J	CHIP R 22K J 1/10W		R613-615			RK73FB2B181J	CHIP R 180 J 1/8W	
R201			RK73GB2A222J	CHIP R 2.2K J 1/10W		R616			RK73GB2A361J	CHIP R 360 J 1/10W	
R202,203			RK73GB2A102J	CHIP R 1.0K J 1/10W		R617			RK73GB2A101J	CHIP R 100 J 1/10W	
R204,205			RK73GB2A222J	CHIP R 2.2K J 1/10W		R618,619			RK73GB2A223J	CHIP R 22K J 1/10W	
R254			RK73GB2A473J	CHIP R 47K J 1/10W		R620			RK73GB2A101J	CHIP R 100 J 1/10W	
R255			RK73GB2A331J	CHIP R 330 J 1/10W		R621			RK73GB2A361J	CHIP R 360 J 1/10W	
R256			RK73GB2A154J	CHIP R 150K J 1/10W		R622			RK73GB2A750J	CHIP R 75 J 1/10W	
R257			RK73GB2A682J	CHIP R 6.8K J 1/10W		R623,624			RK73EB2E100J	CHIP R 10 J 1/4W	
R258			RK73GB2A100J	CHIP R 10 J 1/10W		R625			RK73EB2E4R7J	CHIP R 4.7 J 1/4W	
R259			RK73GB2A362J	CHIP R 3.6K J 1/10W		R626-628			RK73FB2B181J	CHIP R 180 J 1/8W	
R300,301			RK73GB2A472J	CHIP R 4.7K J 1/10W		R629			RK73GB2A472J	CHIP R 4.7K J 1/10W	
R302			RK73GB2A473J	CHIP R 47K J 1/10W		R700			RK73EB2E181J	CHIP R 180 J 1/4W	
R303			RK73GB2A272J	CHIP R 2.7K J 1/10W		R701			RK73FB2B223J	CHIP R 22K J 1/8W	
R304			RK73GB2A103J	CHIP R 10K J 1/10W		R702			RK73EB2E181J	CHIP R 180 J 1/4W	
R305,306			RK73GB2A222J	CHIP R 2.2K J 1/10W		R703-706			RK73EB2E100J	CHIP R 10 J 1/4W	
R350			RK73GB2A472J	CHIP R 4.7K J 1/10W		R707			RK73EB2E102J	CHIP R 1.0K J 1/4W	
R359,360			RK73EB2E100J	CHIP R 10 J 1/4W		R709-711			RK73EB2E101J	CHIP R 100 J 1/4W	
R361			RK73EB2E4R7J	CHIP R 4.7 J 1/4W		R713			RK73GB2A103J	CHIP R 10K J 1/10W	
R362			RK73EB2E472J	CHIP R 4.7K J 1/4W		R714			RN73GH1J473D	CHIP R 47K D 1/16W	
R363			RK73EB2E101J	CHIP R 100 J 1/4W		R715,716			RN73GH1J472D	CHIP R 4.7K D 1/16W	
R364-367			RK73EB2E472J	CHIP R 4.7K J 1/4W		R717,718			RN73GH1J473D	CHIP R 47K D 1/16W	
R368,369			RK73EB2E101J	CHIP R 100 J 1/4W		R719,720			RN73GH1J472D	CHIP R 4.7K D 1/16W	
R400			RK73EB2E102J	CHIP R 1.0K J 1/4W		R721			RN73GH1J473D	CHIP R 47K D 1/16W	
R401-404			RK73GB2A750J	CHIP R 75 J 1/10W		R722-725			RN73GH1J472D	CHIP R 4.7K D 1/16W	
R405,406			RK73EB2E102J	CHIP R 1.0K J 1/4W		R726			RK73GB2A102J	CHIP R 1.0K J 1/10W	
R407			RK73EB2E4R7J	CHIP R 4.7 J 1/4W		R727			RN73GH1J682D	CHIP R 6.8K D 1/16W	
R408,409			RK73EB2E100J	CHIP R 10 J 1/4W		R728			RK73GB2A102J	CHIP R 1.0K J 1/10W	
R452,453			RK73GB2A120J	CHIP R 12 J 1/10W		R730			RN73GH1J103D	CHIP R 10K D 1/16W	
R454			RK73GB2A4R7J	CHIP R 4.7 J 1/10W		R731-738			RN73GH1J472D	CHIP R 4.7K D 1/16W	
R455			RK73GB2A750J	CHIP R 75 J 1/10W		R739-742			RK73GB2A103J	CHIP R 10K J 1/10W	
R456,457			RK73EB2E750J	CHIP R 75 J 1/4W		R743			RK73GB2A473J	CHIP R 47K J 1/10W	
R460			RK73EB2E750J	CHIP R 75 J 1/4W		R744,745			RK73EB2E4R7J	CHIP R 4.7 J 1/4W	
R466			RK73EB2E750J	CHIP R 75 J 1/4W		R746			RK73GB2A220J	CHIP R 22 J 1/10W	
R467,468			RK73EB2E102J	CHIP R 1.0K J 1/4W		R747			RK73GB2A101J	CHIP R 100 J 1/10W	
R470,471			RK73GB2A103J	CHIP R 10K J 1/10W		R748			RK73GB2A220J	CHIP R 22 J 1/10W	
R500			RK73EB2E100J	CHIP R 10 J 1/4W		R749			RK73EB2E391J	CHIP R 390 J 1/4W	
R501			RK73EB2E4R7J	CHIP R 4.7 J 1/4W		R750			RK73GB2A152J	CHIP R 1.5K J 1/10W	
R502			RK73EB2E100J	CHIP R 10 J 1/4W		R751			RK73GB2A102J	CHIP R 1.0K J 1/10W	
R503,504			RK73EB2E102J	CHIP R 1.0K J 1/4W		R752			RK73EB2E100J	CHIP R 10 J 1/4W	
R505-507			RK73EB2E101J	CHIP R 100 J 1/4W		R753			RK73GB2A361J	CHIP R 360 J 1/10W	
R508,509			RK73EB2E102J	CHIP R 1.0K J 1/4W		R754,755			RK73FB2B223J	CHIP R 22K J 1/8W	
R510-513			RK73GB2A750J	CHIP R 75 J 1/10W		R756			RK73GB2A361J	CHIP R 360 J 1/10W	
R514			RK73GB2A472J	CHIP R 4.7K J 1/10W		R770			RK73GB2A432J	CHIP R 4.3K J 1/10W	
R550-553			RK73GB2A103J	CHIP R 10K J 1/10W		R918-921			RK73GB2A472J	CHIP R 4.7K J 1/10W	
R562			RK73GB2A561J	CHIP R 560 J 1/10W		W1			R92-2053-05	CHIP R 0 OHM J 1/8W	
R563			RK73GB2A334J	CHIP R 330K J 1/10W		W102			R92-1252-05	CHIP R 0 OHM J 1/16W	
R564			RK73GB2A103J	CHIP R 10K J 1/10W		W110			R92-1252-05	CHIP R 0 OHM J 1/16W	
R600			RK73FB2B361J	CHIP R 360 J 1/8W		W252			R92-1252-05	CHIP R 0 OHM J 1/16W	
R601,602			RK73GB2A223J	CHIP R 22K J 1/10W		W450			R92-1252-05	CHIP R 0 OHM J 1/16W	

K : North America

△ Indicates safety critical components.

PARTS LIST

ELECTRIC UNIT (X34-3470-10)

Ref. No.	A d d	N e w	Parts No.	Description	Desti- nation
W454			R92-1252-05	CHIP R 0 OHM J 1/16W	
W500-505			R92-1252-05	CHIP R 0 OHM J 1/16W	
D1			MA8056-M	ZENER DIODE	
D5			RM10ZLF	DIODE	
D6,7			1SR154-400	DIODE	
D8			DAP202U	DIODE	
D9,10			1SR154-400	DIODE	
D11			MA8068-M	ZENER DIODE	
D12			MA8056-M	ZENER DIODE	
D13			MA8047-M	ZENER DIODE	
D200			IMSA-6801	SURGE ABSORBER	
D250			DAP202U	DIODE	
D350			RD6.8MW	ZENER DIODE	
D351			MA8062-M	ZENER DIODE	
D352-355			MA3062WA	ZENER DIODE	
D400			MA8062-M	ZENER DIODE	
D401			MA3062WA	ZENER DIODE	
D402			MA8062-M	ZENER DIODE	
D403			RD6.8MW	ZENER DIODE	
D404,405			DA204U	DIODE	
D406-408			MA3062WA	ZENER DIODE	
D412,413			MA3062WA	ZENER DIODE	
D451			MA8062-M	ZENER DIODE	
D452			RD6.8MW	ZENER DIODE	
D453-456			DA204U	DIODE	
D462			DAN202U	DIODE	
D500,501			MA8062-M	ZENER DIODE	
D502			RD6.8MW	ZENER DIODE	
D503-505			MA3062WA	ZENER DIODE	
D506			DA204U	DIODE	
D508			DA204U	DIODE	
D510			DA204U	DIODE	
D550-557			DA204U	DIODE	
D602,603			DAP202U	DIODE	
D604			MA3062WA	ZENER DIODE	
D605			DAP202U	DIODE	
D606			RD6.8MW	ZENER DIODE	
D607			MA8062-M	ZENER DIODE	
D610-612			DAP202U	DIODE	
D700,701			RD6.8MW	ZENER DIODE	
D702-704			MA3062WA	ZENER DIODE	
D705			MA8062-M	ZENER DIODE	
D706			MA8068-M	ZENER DIODE	
D707			RD6.8MW	ZENER DIODE	
D708			DAP202U	DIODE	
D709			AVRM1608270MAA	VARISTOR	
D710			DA204U	DIODE	
D711			MA8068-M	ZENER DIODE	
D712			DAP202U	DIODE	
IC1			M5237ML	ANALOGUE IC	
IC3			M5237ML	ANALOGUE IC	
IC100			HD74HC02FP-E	MOS-IC	
IC101			S-80842CNNB	MOS-IC	
IC103			703069YGJ-105	MICROCONTROLLER IC	

Ref. No.	A d d	N e w	Parts No.	Description	Desti- nation
IC200			TDA7479D	ANALOGUE IC	
IC250			TB2903HQ	ANALOGUE IC	
IC300			TDA7401	ANALOGUE IC	
IC301			E-TDA7414	ANALOGUE IC	
IC350			BA3121F	ANALOGUE IC	
IC400			TC7SH08FU	MOS-IC	
IC450,451			NJM2267V	ANALOGUE IC	
IC452			TC7SH14FU	MOS-IC	
IC500			BA3121F	ANALOGUE IC	
IC550			TC4052BFT	MOS-IC	
IC551		*	MM1503-E	ANALOGUE IC	
IC552		*	MM1108XFFE-E	ANALOGUE IC	
IC553			BA7652AF	ANALOGUE IC	
IC554			TC4052BFT	MOS-IC	
IC555			BA7612F	ANALOGUE IC	
IC600			BA3121F	ANALOGUE IC	
IC700,701			BA3129F	ANALOGUE IC	
IC702-704			NJM4565M-TE2	ANALOGUE IC	
IC705			HA12187FP	ANALOGUE IC	
Q1			2SC4081	TRANSISTOR	
Q2			2SB1443	TRANSISTOR	
Q3			2SA1576A	TRANSISTOR	
Q4,5			UMC2N	TRANSISTOR	
Q6			2SB1565	TRANSISTOR	
Q8			UMC2N	TRANSISTOR	
Q9			DTC114EUA	DIGITAL TRANSISTOR	
Q10			2SB1565	TRANSISTOR	
Q19			DTC124EUA	DIGITAL TRANSISTOR	
Q20,21			DTC114YUA	DIGITAL TRANSISTOR	
Q22			DTA114EUA	DIGITAL TRANSISTOR	
Q23,24			2SB1188(Q,R)	TRANSISTOR	
Q25			2SA1576A	TRANSISTOR	
Q26			2SC4081	TRANSISTOR	
Q27			DTA123JK	DIGITAL TRANSISTOR	
Q100			DTA124EUA	DIGITAL TRANSISTOR	
Q200			DTC124EUA	DIGITAL TRANSISTOR	
Q201			2SB1188(Q,R)	TRANSISTOR	
Q300			2SD1819A	TRANSISTOR	
Q301			DTC124EUA	DIGITAL TRANSISTOR	
Q460			DTA124EUA	DIGITAL TRANSISTOR	
Q551-554			DTC124EUA	DIGITAL TRANSISTOR	
Q600-602			DTC143TUA	DIGITAL TRANSISTOR	
Q603			2SA1576A	TRANSISTOR	
Q604-606			DTC143TUA	DIGITAL TRANSISTOR	
Q607			2SA1576A	TRANSISTOR	
Q608			DTC143TUA	DIGITAL TRANSISTOR	
Q609			DTA124EUA	DIGITAL TRANSISTOR	
Q610			DTC143TUA	DIGITAL TRANSISTOR	
Q700			DTC144EUA	DIGITAL TRANSISTOR	
Q702			DTA124EUA	DIGITAL TRANSISTOR	
Q703			DTC323TU	DIGITAL TRANSISTOR	
Q704			UMA2N	TRANSISTOR	
Q705			2SC3437	TRANSISTOR	
Q706			DTC323TU	DIGITAL TRANSISTOR	
Q707			DTA124EUA	DIGITAL TRANSISTOR	

K : North America

△ Indicates safety critical components.

PARTS LIST

ELECTRIC UNIT (X34-3470-10)

Ref. No.	Add	New	Parts No.	Description	Destination
Q712			DTC144EUA	DIGITAL TRANSISTOR	
Q713			DTA124EUA	DIGITAL TRANSISTOR	
TH250			PT722A70C	POSITIVE RESISTOR	
A1		*	X86-3870-13	FRONT-END UNIT	
VIDEO UNIT (X35-4432-70)					
D508			B30-1566-05	LED (1608,RED)	
D666			B30-1564-05	LED (1608,BLUE)	
D667-677			B30-1605-05	LED (2COLOR PG/RED)	
D680			B30-1605-05	LED (2COLOR PG/RED)	
D701			B30-1547-05	LED	
D702			B30-1566-05	LED (1608,RED)	
D703			B30-1547-05	LED	
D704			B30-1566-05	LED (1608,RED)	
C1			C92-1857-05	ELECTRO 33UF 10WV	
C3			C93-1283-05	CHIP C 1.0UF K	
C4			C92-1857-05	ELECTRO 33UF 10WV	
C5			C93-1363-05	CERAMIC 10PF 3KWV	
C6			C93-1361-05	CERAMIC 0.012UF 16WV	
C7			CK73GB1E473K	CHIP C 0.047UF K	
C8			C93-1269-05	CHIP C 220PF J	
C9			CK73GB0J225K	CHIP C 2.2UF K	
C10			CK73GB1H103K	CHIP C 0.010UF K	
C11			CK73GB0J225K	CHIP C 2.2UF K	
C12			CK73GB1H103K	CHIP C 0.010UF K	
C13			CK73GB1A474K	CHIP C 0.47UF K	
C14			CK73GB1H103K	CHIP C 0.010UF K	
C15			CK73GB1E473K	CHIP C 0.047UF K	
C16			CK73GB1E183K	CHIP C 0.018UF K	
C17			CK73GB1H103K	CHIP C 0.010UF K	
C18			C93-1283-05	CHIP C 1.0UF K	
C21			CK73GB0J225K	CHIP C 2.2UF K	
C22			CK73GB1H152K	CHIP C 1500PF K	
C24			CK73GB1H103K	CHIP C 0.010UF K	
C26			CK73GB1H103K	CHIP C 0.010UF K	
C27			C93-1283-05	CHIP C 1.0UF K	
C102			CK73DF1C106Z	CHIP C 10UF Z	
C103			CK73GB1H103K	CHIP C 0.010UF K	
C105			CE32AU1C220M	CHIP EL 22UF 16WV	
C106			CK73GB1H103K	CHIP C 0.010UF K	
C108			CE32AU1C220M	CHIP EL 22UF 16WV	
C109			CK73FB1C105K	CHIP C 1.0UF K	
C110			CK73GB1H103K	CHIP C 0.010UF K	
C112			CK73FB1E154K	CHIP C 0.15UF K	
C113			CK73EB1C225K	CHIP C 2.2UF K	
C114			CK73FB1C224K	CHIP C 0.22UF K	
C115			CK73GB1H104K	CHIP C 0.10UF K	
C116			C92-1685-05	ELECTRO 47UF 6.3WV	
C118			CK73GB1H103K	CHIP C 0.010UF K	
C119			CC73GCH1H151J	CHIP C 150PF J	
C211			CK73EB1A475K	CHIP C 4.7UF K	
C230			CK73GB1H103K	CHIP C 0.010UF K	
C231,232			CK73DF1E106Z	CHIP C 10UF Z	
C233			CK73GB1H103K	CHIP C 0.010UF K	

K : North America

Ref. No.	Add	New	Parts No.	Description	Destination
C234			CC73GCH1H560J	CHIP C 56PF J	
C301,302			CK73DF1E106Z	CHIP C 10UF Z	
C303			CK73GB1H103K	CHIP C 0.010UF K	
C304			CK73GB1H104K	CHIP C 0.10UF K	
C307			CK73EB0J106K	CHIP C 10UF K	
C308			CK73GB1H103K	CHIP C 0.010UF K	
C309			CC73GCH1H100D	CHIP C 10PF D	
C310			CK73GB1H561K	CHIP C 560PF K	
C311-314			CK73GB1H103K	CHIP C 0.010UF K	
C315,316			CK73GB1H104K	CHIP C 0.10UF K	
C317			CK73GB1H103K	CHIP C 0.010UF K	
C318,319			CK73GB1H104K	CHIP C 0.10UF K	
C320			CC73GCH1H560J	CHIP C 56PF J	
C322			CC73GCH1E102J	CHIP C 1000PF J	
C323			CC73GCH1H101J	CHIP C 100PF J	
C324,325			CK73GB1H103K	CHIP C 0.010UF K	
C326			CC73GCH1H681J	CHIP C 680PF J	
C327,328			CK73GB1H104K	CHIP C 0.10UF K	
C331,332			CC73GCH1H390J	CHIP C 39PF J	
C333			CK73GB1H104K	CHIP C 0.10UF K	
C334			CK73GB1H103K	CHIP C 0.010UF K	
C335,336			CK73GB1H104K	CHIP C 0.10UF K	
C339			CK73GB1H103K	CHIP C 0.010UF K	
C425			CK73FB1C105K	CHIP C 1.0UF K	
C426			CK73EB1E105K	CHIP C 1.0UF K	
C427			CK73FB1A225K	CHIP C 2.2UF K	
C428			CK73EB0J106K	CHIP C 10UF K	
C502,503			CK73GB1H103K	CHIP C 0.010UF K	
C504			CK73EB1A106K	CHIP C 10UF K	
C505			CK73GB1H271K	CHIP C 270PF K	
C506			CC73GCH1H101J	CHIP C 100PF J	
C507			CC73GCH1H150J	CHIP C 15PF J	
C601			CK73GB1H221K	CHIP C 220PF K	
C602			CK73GB1H103K	CHIP C 0.010UF K	
C603			CK73GB0J225K	CHIP C 2.2UF K	
C604			CC73GCH1H101J	CHIP C 100PF J	
C605			CK73EB1A106K	CHIP C 10UF K	
CN1			E40-9797-05	PIN ASSY	
CN302			E41-2116-05	FLAT CABLE CONNECTOR	
CN303			E41-2065-05	FLAT CABLE CONNECTOR	
CN501			E41-2088-05	FLAT CABLE CONNECTOR	
CN602			E41-0451-15	FLAT CABLE CONNECTOR	
CN604			E41-2208-05	FLAT CABLE CONNECTOR	
CN701			E41-0267-05	FLAT CABLE CONNECTOR	
F1			F53-0251-05	FUSE 1.5A	
F107			F53-0314-05	FUSE (UL,CSA) 0.5A	
L1			L19-0727-05	TRANSFORMER FOR CONVERTER	
L2			L33-1933-05	CHOKE COIL	
L101,102			L41-3392-13	SMALL FIXED INDUCTOR (3.3UH)	
L103			L41-4792-13	SMALL FIXED INDUCTOR (4.7UH)	
L104-106			L40-1001-78	SMALL FIXED INDUCTOR (10UH)	
L306			L41-5695-33	SMALL FIXED INDUCTOR (5.6U)	
L307			L92-0397-05	CHIP FERRITE	

△ Indicates safety critical components.

PARTS LIST

VIDEO UNIT (X35-4432-70)

Ref. No.	A d d	N e w	Parts No.	Description	Desti- nation	Ref. No.	A d d	N e w	Parts No.	Description	Desti- nation
L501			L40-1001-78	SMALL FIXED INDUCTOR (10UH)		R346			RK73GB2A105J	CHIP R 1.0M J 1/10W	
L601			L40-1001-78	SMALL FIXED INDUCTOR (10UH)		R347			RK73GB2A153J	CHIP R 15K J 1/10W	
CP301,302			R90-0724-05	MULTI-COMP 1K X4		R348			RK73GB2A362J	CHIP R 3.6K J 1/10W	
CP303			R90-1014-05	MULTI-COMP 100 X4		R349			RK73GB2A153J	CHIP R 15K J 1/10W	
R1			RK73GB2A512J	CHIP R 5.1K J 1/10W		R350-353			RK73GB2A101J	CHIP R 100 J 1/10W	
R3			RK73GB2A220J	CHIP R 22 J 1/10W		R359,360			RK73GB2A100J	CHIP R 10 J 1/10W	
R4			RN73GH1J153D	CHIP R 15K D 1/16W		R361			RK73GB2A562J	CHIP R 5.6K J 1/10W	
R5			RK73GB2A153J	CHIP R 15K J 1/10W		R370			RK73GB2A821J	CHIP R 820 J 1/10W	
R6			RN73GH1J5902D	CHIP R 59.0K D 1/16W		R373,374			RK73GB2A561J	CHIP R 560 J 1/10W	
R7			RK73GB2A220J	CHIP R 22 J 1/10W		R380,381			RK73EB2E101J	CHIP R 100 J 1/4W	
R8			RK73GB2A512J	CHIP R 5.1K J 1/10W		R385,386			RK73EB2E100J	CHIP R 10 J 1/4W	
R9			RK73GH2A304D	CHIP R 300K D 1/10W		R387,388			RK73EB2E101J	CHIP R 100 J 1/4W	
R10			RK73GB2A331J	CHIP R 330 J 1/10W		R391			RK73EB2E101J	CHIP R 100 J 1/4W	
R11			RK73GB2A220J	CHIP R 22 J 1/10W		R393-397			RK73EB2E101J	CHIP R 100 J 1/4W	
R12			RK73GB2A105J	CHIP R 1.0M J 1/10W		R501,502			RK73GB2A333J	CHIP R 33K J 1/10W	
R13			RK73GB2A220J	CHIP R 22 J 1/10W		R503-506			RK73EB2E100J	CHIP R 10 J 1/4W	
R14			RN73GH1J4530D	CHIP R 453.0 D 1/16W		R601			RK73GB2A101J	CHIP R 100 J 1/10W	
R15			RN73GH1J513D	CHIP R 51K D 1/16W		R602			RK73GB2A222J	CHIP R 2.2K J 1/10W	
R16,17			RK73GB2A220J	CHIP R 22 J 1/10W		R603			RK73GB2A332J	CHIP R 3.3K J 1/10W	
R18			RK73GB2A222J	CHIP R 2.2K J 1/10W		R604			RK73GB2A562J	CHIP R 5.6K J 1/10W	
R101			RK73GH2A104D	CHIP R 100K D 1/10W		R605			RK73GB2A103J	CHIP R 10K J 1/10W	
R102			RK73GH2A113D	CHIP R 11K D 1/10W		R606			RK73GB2A101J	CHIP R 100 J 1/10W	
R103			RK73GH2A184D	CHIP R 180K D 1/10W		R607			RK73GB2A222J	CHIP R 2.2K J 1/10W	
R104			RK73GH2A133D	CHIP R 13K D 1/10W		R608			RK73GB2A332J	CHIP R 3.3K J 1/10W	
R105			RK73GB2A473J	CHIP R 47K J 1/10W		R609			RK73GB2A562J	CHIP R 5.6K J 1/10W	
R106			RK73GB2A100J	CHIP R 10 J 1/10W		R610			RK73GB2A103J	CHIP R 10K J 1/10W	
R107			RK73GB2A222J	CHIP R 2.2K J 1/10W		R611			RK73GB2A333J	CHIP R 33K J 1/10W	
R218			RK73GB2A222J	CHIP R 2.2K J 1/10W		R612			RK73GB2A361J	CHIP R 360 J 1/10W	
R219			RK73GB2A513J	CHIP R 51K J 1/10W		R613			RK73GB2A101J	CHIP R 100 J 1/10W	
R234			RN73GH1J472D	CHIP R 4.7K D 1/16W		R614			RK73GB2A361J	CHIP R 360 J 1/10W	
R235			RN73GH1J912D	CHIP R 9.1K D 1/16W		R615			RK73GB2A101J	CHIP R 100 J 1/10W	
R236			RN73GH1J222D	CHIP R 2.2K D 1/16W		R616			RK73GB2A361J	CHIP R 360 J 1/10W	
R239			RK73GB2A123J	CHIP R 12K J 1/10W		R617			RK73GB2A101J	CHIP R 100 J 1/10W	
R240			RK73GB2A470J	CHIP R 47 J 1/10W		R618			RK73GB2A361J	CHIP R 360 J 1/10W	
R241			RK73GB2A123J	CHIP R 12K J 1/10W		R619			RK73GB2A101J	CHIP R 100 J 1/10W	
R242			RK73GB2A470J	CHIP R 47 J 1/10W		R620			RK73GB2A301J	CHIP R 300 J 1/10W	
R307			RK73GB2A101J	CHIP R 100 J 1/10W		R621			RK73GB2A102J	CHIP R 1.0K J 1/10W	
R308			RK73GB2A621J	CHIP R 620 J 1/10W		R623			RK73GB2A751J	CHIP R 750 J 1/10W	
R314,315			RK73GB2A103J	CHIP R 10K J 1/10W		R624			RK73GB2A104J	CHIP R 100K J 1/10W	
R316			RK73GB2A102J	CHIP R 1.0K J 1/10W		R625			RK73GB2A101J	CHIP R 100 J 1/10W	
R318			RK73GB2A102J	CHIP R 1.0K J 1/10W		R702			RK73FB2B561J	CHIP R 560 J 1/8W	
R321			RK73GB2A472J	CHIP R 4.7K J 1/10W		R703			RK73FB2B331J	CHIP R 330 J 1/8W	
R324,325			RK73GB2A472J	CHIP R 4.7K J 1/10W		VR203			R32-0235-05	SEMI FIXED VARIABLE RESISTOR	
R326			RK73GB2A473J	CHIP R 47K J 1/10W		VR301			R32-0235-05	SEMI FIXED VARIABLE RESISTOR	
R327			RK73GB2A683J	CHIP R 68K J 1/10W		W3			R92-1252-05	CHIP R 0 OHM J 1/16W	
R328			RK73GB2A153J	CHIP R 15K J 1/10W		W216,217			R92-2052-05	CHIP R 0 OHM J 1/10W	
R329			RK73GB2A101J	CHIP R 100 J 1/10W		W253			R92-2052-05	CHIP R 0 OHM J 1/10W	
R330			RK73GB2A182J	CHIP R 1.8K J 1/10W		W305			R92-1252-05	CHIP R 0 OHM J 1/16W	
R331			RK73GB2A331J	CHIP R 330 J 1/10W		W310			R92-1252-05	CHIP R 0 OHM J 1/16W	
R332			RK73GB2A332J	CHIP R 3.3K J 1/10W		W313			R92-1252-05	CHIP R 0 OHM J 1/16W	
R337,338			RK73GB2A101J	CHIP R 100 J 1/10W		W320			R92-1252-05	CHIP R 0 OHM J 1/16W	
R339			RK73GB2A102J	CHIP R 1.0K J 1/10W		W323			R92-1252-05	CHIP R 0 OHM J 1/16W	
R340-344			RK73GB2A101J	CHIP R 100 J 1/10W		W333-335			R92-1252-05	CHIP R 0 OHM J 1/16W	
R345			RK73GB2A683J	CHIP R 68K J 1/10W		W354-357			R92-1252-05	CHIP R 0 OHM J 1/16W	
						W368			R92-1252-05	CHIP R 0 OHM J 1/16W	

K : North America

△ Indicates safety critical components.

PARTS LIST

VIDEO UNIT (X35-4432-70)

Ref. No.	Add	New	Parts No.	Description	Destination
W371			R92-1252-05	CHIP R 0 OHM J 1/16W	
W392			R92-2053-05	CHIP R 0 OHM J 1/8W	
W398			R92-2053-05	CHIP R 0 OHM J 1/8W	
S601			S70-0901-05	TACT SWITCH	
S602,603			S70-0919-05	TACT SWITCH	
S604,605			S70-0901-05	TACT SWITCH	
S606-608			S70-0919-05	TACT SWITCH	
S609			S70-0901-05	TACT SWITCH	
S614			S70-0919-05	TACT SWITCH	
S615			S70-0910-05	TACT SWITCH	
S616			S70-0919-05	TACT SWITCH	
S617,618			S70-0901-05	TACT SWITCH	
D1,2			MA8047-M	ZENER DIODE	
D3			MA115	DIODE	
D4,5			DA204U	DIODE	
D6			MA784	DIODE	
D7			MA8056-M	ZENER DIODE	
D8			AVRM1608120M6A	VARISTOR	
D101			EP05Q04	DIODE	
D102			EP05Q06	DIODE	
D103,104			EP05Q04	DIODE	
D301			MA8051-M	ZENER DIODE	
D302,303			DA204U	DIODE	
D304			MA8051-M	ZENER DIODE	
D309			1SV231	VARIABLE CAPACITANCE DIODE	
D310			AVRM1608180M6A	VARISTOR	
D501-504			MA8068-M	ZENER DIODE	
D601-603			AVRM1608180M6A	VARISTOR	
D612			AVRM1608180M6A	VARISTOR	
D615,616			AVRM1608180M6A	VARISTOR	
D622,623			AVRM1608180M6A	VARISTOR	
D636-638			AVRM1608180M6A	VARISTOR	
D639			DA204U	DIODE	
D690			DAN202U	DIODE	
IC1			OZ960IS-C	ANALOGUE IC	
IC101			LT1947	ANALOGUE IC	
IC203			TA75W558FU	ANALOGUE IC	
IC301			TC200G02AF0104	MOS-IC	
IC302			TC7SH08FU	MOS-IC	
IC303			NJM2107F	ANALOGUE IC	
IC304			TC7WH14FU	MOS-IC	
IC601			RS-181	ANALOGUE IC	
Q1			2SC4081	TRANSISTOR	
Q2,3			SI5513DC	DUAL FET	
Q5			2SC4081	TRANSISTOR	
Q101			DTC124EUA	DIGITAL TRANSISTOR	
Q102			DTA124EUA	DIGITAL TRANSISTOR	
Q201			IMZ1A	DUAL TRANSISTOR	
Q202			2SD601A	TRANSISTOR	
Q203			2SB709A	TRANSISTOR	
Q301			2SC4097	TRANSISTOR	
Q302,303			DTA143ZUA	DIGITAL TRANSISTOR	
Q304,305			DTC143ZUA	DIGITAL TRANSISTOR	
Q306			DTC124EUA	DIGITAL TRANSISTOR	

K : North America

Ref. No.	Add	New	Parts No.	Description	Destination
Q601			DTC124EUA	DIGITAL TRANSISTOR	
Q602			DTA124EUA	DIGITAL TRANSISTOR	
Q604			DTC124EUA	DIGITAL TRANSISTOR	
Q605			DTA143EUA	DIGITAL TRANSISTOR	
Q701			DTC124EUA	DIGITAL TRANSISTOR	
DVD UNIT (X37-1050-00)					
C1			CK73FB0J106M	CHIP C 10UF M	
C2			CK73HB1A104K	CHIP C 0.10UF K	
C3,4			CK73FB0J106M	CHIP C 10UF M	
C5			CK73HB1A104K	CHIP C 0.10UF K	
C6			CC73HCH1E221J	CHIP C 220PF J	
C7			CK73HB1A104K	CHIP C 0.10UF K	
C8			CK73FB0J106M	CHIP C 10UF M	
C9,10			CK73HB1A104K	CHIP C 0.10UF K	
C11			CK73HB1H332K	CHIP C 3300PF K	
C12			CK73HB1A104K	CHIP C 0.10UF K	
C13			CK73FB0J106M	CHIP C 10UF M	
C14			C92-1792-05	ELECTRO 22UF 6.3WV	
C15			CK73HB1C103K	CHIP C 0.010UF K	
C17			CC73GCH1H471J	CHIP C 470PF J	
C18			CK73HB1A104K	CHIP C 0.10UF K	
C19			CC73GCH1H471J	CHIP C 470PF J	
C20			CK73HB1A333K	CHIP C 0.033UF K	
C21			CK73HB1A473K	CHIP C 0.047UF K	
C22-24			CK73HB1A104K	CHIP C 0.10UF K	
C25,26			C93-1215-05	CERAMIC 10UF K	
C27			CK73HB1A104K	CHIP C 0.10UF K	
C31			C92-1685-05	ELECTRO 47UF 6.3WV	
C32,33			CC73GCH1E102J	CHIP C 1000PF J	
C34,35			CC73GCH1H681J	CHIP C 680PF J	
C36			CK73HB1H222K	CHIP C 2200PF K	
C37			CC73GCH1H331J	CHIP C 330PF J	
C38,39			CK73HB1C103K	CHIP C 0.010UF K	
C40,41			CK73HB1A104K	CHIP C 0.10UF K	
C42			CK73HB1C223K	CHIP C 0.022UF K	
C43			CC73HCH1H470J	CHIP C 47PF J	
C44			CC73GCH1H681J	CHIP C 680PF J	
C45			CK73HB1E682K	CHIP C 6800PF K	
C46			CK73HB1A104K	CHIP C 0.10UF K	
C47			CC73GCH1E102J	CHIP C 1000PF J	
C48-50			CK73HB1A104K	CHIP C 0.10UF K	
C51			C93-1271-05	CERAMIC 0.1UF M	
C52-55			CK73HB1A104K	CHIP C 0.10UF K	
C56,57			C93-1271-05	CERAMIC 0.1UF M	
C58-60			CK73HB1A104K	CHIP C 0.10UF K	
C62			CK73HB1A104K	CHIP C 0.10UF K	
C63			C93-1271-05	CERAMIC 0.1UF M	
C64,65			CK73HB1C103K	CHIP C 0.010UF K	
C67			CC73HCH1H220J	CHIP C 22PF J	
C68			CC73HCH1H150J	CHIP C 15PF J	
C69-73			CK73HB1A104K	CHIP C 0.10UF K	
C74			CK73EB1A106K	CHIP C 10UF K	
C75,76			CK73HB1C103K	CHIP C 0.010UF K	
C77			CK73HB1A104K	CHIP C 0.10UF K	
C78			CC73GCH1H331J	CHIP C 330PF J	

△ Indicates safety critical components.

PARTS LIST

DVD UNIT (X37-1050-00)

Ref. No.	Add	New	Parts No.	Description	Destination	Ref. No.	Add	New	Parts No.	Description	Destination
C79-81			CK73HB1C103K	CHIP C 0.010UF K		R10			RK73GH2A392D	CHIP R 3.9K D 1/10W	
C82			CK73HB1A104K	CHIP C 0.10UF K		R11			RK73GH2A183D	CHIP R 18K D 1/10W	
C83			CC73HCH1E221J	CHIP C 220PF J		R12			RK73GB2A4R7J	CHIP R 4.7 J 1/10W	
C84			CC73HCH1H101J	CHIP C 100PF J		R13,14			RK73HB1J125J	CHIP R 1.2M J 1/16W	
C85			C92-1684-05	ELECTRO 82UF 10WV		R15			RK73GB2A200J	CHIP R 20 J 1/10W	
C87,88			CK73HB1C103K	CHIP C 0.010UF K		R16			R92-3409-05	CHIP R 6.8 F 1/4W	
C89			CK73FB0J106M	CHIP C 10UF M		R17			R92-3350-05	CHIP R 2.2 F 1/10W	
C90-95			CK73HB1A104K	CHIP C 0.10UF K		R18			RK73GH2A221D	CHIP R 220 D 1/10W	
C96			CK73GB1A224K	CHIP C 0.22UF K		R19			RK73HB1J100J	CHIP R 10 J 1/16W	
C97,98			CK73HB1A104K	CHIP C 0.10UF K		R27,28			RK73HB1J472J	CHIP R 4.7K J 1/16W	
C99			C92-1685-05	ELECTRO 47UF 6.3WV		R29			RK73HB1J103J	CHIP R 10K J 1/16W	
C100			CK73GB0J105K	CHIP C 1.0UF K		R30			RK73HB1J473J	CHIP R 47K J 1/16W	
C101			CK73HB1C103K	CHIP C 0.010UF K		R31			RK73HB1J102J	CHIP R 1.0K J 1/16W	
C102			CK73FB0J106M	CHIP C 10UF M		R32			RK73GH2A153D	CHIP R 15K D 1/10W	
C103			CK73FB1A225K	CHIP C 2.2UF K		R33			RK73HB1J105J	CHIP R 1.0M J 1/16W	
C104			CK73HB1A104K	CHIP C 0.10UF K		R36			RK73HB1J103J	CHIP R 10K J 1/16W	
C106			CK73HB1A104K	CHIP C 0.10UF K		R37			RK73HB1J273J	CHIP R 27K J 1/16W	
C107			CK73GB0J105K	CHIP C 1.0UF K		R38			RK73HB1J472J	CHIP R 4.7K J 1/16W	
C108			C93-1228-05	CERAMIC 1UF M		R39			RK73HB1J273J	CHIP R 27K J 1/16W	
C110-113			CC73HCH1H470J	CHIP C 47PF J		R40			RK73HB1J472J	CHIP R 4.7K J 1/16W	
C114,115			CK73FB1A225K	CHIP C 2.2UF K		R41			RK73HB1J103J	CHIP R 10K J 1/16W	
C116			CK73GB1A224K	CHIP C 0.22UF K		R42			RK73HB1J105J	CHIP R 1.0M J 1/16W	
C117			CK73HB1C223K	CHIP C 0.022UF K		R43			RK73HB1J152J	CHIP R 1.5K J 1/16W	
C119			CK73EB0J226K	CHIP C 22UF K		R44			RK73HB1J202J	CHIP R 2.0K J 1/16W	
C123			CC73HCH1H470J	CHIP C 47PF J		R45			RK73GH2A183D	CHIP R 18K D 1/10W	
C125-134			CK73HB1C103K	CHIP C 0.010UF K		R46			RK73GB2A752J	CHIP R 7.5K J 1/10W	
C135,136			CC73HCH1H050C	CHIP C 5.0PF C		R47			RK73GH2A103D	CHIP R 10K D 1/10W	
C137			CK73HB1H102K	CHIP C 1000PF K		R48			R92-3353-05	CHIP R 1.0 F 1/8W	
C138			CK73EB1A106K	CHIP C 10UF K		R53			R92-3353-05	CHIP R 1.0 F 1/8W	
						R54			R92-3348-05	CHIP R 0.47 F 1/2W	
CN1			E41-0273-05	FLAT CABLE CONNECTOR		R55,56			RK73GB2A820J	CHIP R 82 J 1/10W	
CN2			E41-0271-05	FLAT CABLE CONNECTOR		R57			RK73GB2A391J	CHIP R 390 J 1/10W	
CN3			E41-0272-05	FLAT CABLE CONNECTOR		R58,59			RK73GB2A103J	CHIP R 10K J 1/10W	
CN4			E41-0312-05	FLAT CABLE CONNECTOR		R60			RK73GB2A472J	CHIP R 4.7K J 1/10W	
CN5			E41-0335-05	FLAT CABLE CONNECTOR		R61			RK73GB2A153J	CHIP R 15K J 1/10W	
L1			L92-0365-05	CHIP FERRITE		R62,63			RK73GH2A153D	CHIP R 15K D 1/10W	
L2			L92-0329-05	CHIP FERRITE		R64			RK73GH2A303D	CHIP R 30K D 1/10W	
L3-8			L92-0365-05	CHIP FERRITE		R65			RK73GH2A183D	CHIP R 18K D 1/10W	
L10-13			L92-0365-05	CHIP FERRITE		R66,67			RK73GH2A153D	CHIP R 15K D 1/10W	
L16-18			L92-0365-05	CHIP FERRITE		R68			RK73GH2A513D	CHIP R 51K D 1/10W	
L21-27			L92-0365-05	CHIP FERRITE		R71			RK73GH2A202D	CHIP R 2.0K D 1/10W	
L28			L92-0375-05	CHIP FERRITE		R72			RK73GH2A123D	CHIP R 12K D 1/10W	
X1			L77-2808-05	CRYSTAL RESONATOR (16.897849MHZ)		R73			RK73HB1J103J	CHIP R 10K J 1/16W	
CP1			RK74HB1J102J	CHIP-COM 1.0K J 1/16W		R74			RK73HB1J472J	CHIP R 4.7K J 1/16W	
CP3			RK74HB1J472J	CHIP-COM 4.7K J 1/16W		R75-79			RK73HB1J132J	CHIP R 1.3K J 1/16W	
CP4-8			RK74HB1J220J	CHIP-COM 22 J 1/16W							
CP9			RK74HB1J820J	CHIP-COM 82 J 1/16W		R80-83			RK73HB1J103J	CHIP R 10K J 1/16W	
CP11			R90-0726-05	MULTI-COMP 10K X2		R88			RK73HB1J103J	CHIP R 10K J 1/16W	
CP12			RK74HB1J472J	CHIP-COM 4.7K J 1/16W		R89			RK73HB1J820J	CHIP R 82 J 1/16W	
CP13-16			RK74HB1J103J	CHIP-COM 10K J 1/16W		R90			RK73HB1J103J	CHIP R 10K J 1/16W	
R3,4			RK73GH2A103D	CHIP R 10K D 1/10W		R91			RK73HB1J220J	CHIP R 22 J 1/16W	
R5			RK73GB2A4R7J	CHIP R 4.7 J 1/10W		R92			RK73HB1J820J	CHIP R 82 J 1/16W	
R6			RK73GB2A100J	CHIP R 10 J 1/10W		R93			RK73HB1J103J	CHIP R 10K J 1/16W	
R7,8			RK73HB1J273J	CHIP R 27K J 1/16W		R94,95			RK73HB1J820J	CHIP R 82 J 1/16W	
R9			RK73GH2A223D	CHIP R 22K D 1/10W		R101			RK73HB1J103J	CHIP R 10K J 1/16W	
						R103-106			RK73HB1J220J	CHIP R 22 J 1/16W	

K : North America

△ Indicates safety critical components.

PARTS LIST

DVD UNIT (X37-1050-00)

Ref. No.	Add	New	Parts No.	Description	Destination	Ref. No.	Add	New	Parts No.	Description	Destination
R107,108			RK73HB1J103J	CHIP R 10K J 1/16W		15			D10-4650-03	SLIDER	
R109			RK73HB1J332J	CHIP R 3.3K J 1/16W		16			D10-4651-02	SLIDER	
R110			RK73HB1J473J	CHIP R 47K J 1/16W		17			D10-4652-02	SLIDER	
R111			RK73GB2A150J	CHIP R 15 J 1/10W		18			D10-4653-02	SLIDER	
R112,113			RK73HB1J221J	CHIP R 220 J 1/16W		19			D10-4654-04	ARM ASSY	
R114			RK73HB1J220J	CHIP R 22 J 1/16W		20			D10-4658-33	ARM ASSY	
R117			RK73GB2A752J	CHIP R 7.5K J 1/10W		21			D10-4659-43	LEVER ASSY	
R119,120			RK73HB1J510J	CHIP R 51 J 1/16W		22			D10-4660-04	ARM ASSY	
R121,122			RK73HB1J103J	CHIP R 10K J 1/16W		23			D10-4686-03	SLIDER	
R123			R92-3385-05	CHIP R 8.2 F 1/10W		24			D10-4687-03	ARM	
R124			RK73HB1J103J	CHIP R 10K J 1/16W		25			D10-4689-03	ARM	
R126,127			RK73HB1J104J	CHIP R 100K J 1/16W		26			D10-4690-03	ARM	
R128,129			RK73HB1J472J	CHIP R 4.7K J 1/16W		29			D12-0635-03	CAM	
R130			RK73HB1J751J	CHIP R 750 J 1/16W		30			D12-0636-13	CAM	
R131-143			RK73HB1J103J	CHIP R 10K J 1/16W		32			D13-2221-04	GEAR	
W1-3			R92-1252-05	CHIP R 0 OHM J 1/16W		33			D13-2222-04	GEAR	
S4			S68-0874-05	PUSH SWITCH		34			D13-2223-04	GEAR	
S5			S68-0866-15	PUSH SWITCH		35			D13-2224-04	GEAR	
D1,2			MAZS0510M	ZENER DIODE		36			D13-2225-04	GEAR	
D3-5			MA2J729	DIODE		37			D13-2226-04	GEAR	
D6			MAZS0560M	ZENER DIODE		38			D13-2227-04	GEAR	
D7			MA4ZD03	DIODE		43			D14-0785-04	ROLLER	
D8		*	MA142WA-F	DIODE		44			D21-2395-13	SHAFT	
IC1			AN8703FH	ANALOGUE IC		46			D21-2414-04	SHAFT	
IC2			NJU7042	ANALOGUE IC		48			D32-0648-04	STOPPER	
IC4			MN103S26E	MOS-IC		49			D32-0654-04	STOPPER	
IC5			S-80829CLPF	ANALOGUE IC		50			D39-0254-05	DAMPER	
IC6			LA6505	ANALOGUE IC		VFC1			E39-0464-05	FLAT CABLE	
IC7			DF2328VTE250S0	MICROCONTROLLER IC		54			F09-1748-04	SHEET	
IC7			D32328G13TEIV	MICROCONTROLLER IC		56			G01-3112-04	COMPRESSION SPRING	
IC8			S-80815CLPF	ANALOGUE IC		58			G01-3114-14	EXTENSION SPRING	
IC9			UPC2918T	ANALOGUE IC		59			G01-3116-14	EXTENSION SPRING	
IC10			NJM2880U33	ANALOGUE IC		60			G01-3117-04	EXTENSION SPRING	
IC11			S-24C04BMFN	MEMORY IC		61			G01-3118-04	EXTENSION SPRING	
IC12			HD74LV2G66A	MOS-IC		62			G01-3119-04	EXTENSION SPRING	
Q1			2SB0970	TRANSISTOR		63			G01-3121-14	TORSION COIL SPRING	
Q2			MCH6101-E	TRANSISTOR		64			G01-3140-04	EXTENSION SPRING	
Q3			2SJ0536	FET		65			G01-3142-04	TORSION COIL SPRING	
Q4		*	UN5114-F	DIGITAL TRANSISTOR		69			G02-1421-03	FLAT SPRING	
Q5		*	UN5214-F	DIGITAL TRANSISTOR		78			J21-9792-03	MOUNTING HARDWARE	
Q6		*	2SD1819A-F	TRANSISTOR		79			J21-9793-12	MOUNTING HARDWARE	
Q9		*	UN5114-F	DIGITAL TRANSISTOR		82			J90-1031-31	GUIDE	
Q10		*	UN5214-F	DIGITAL TRANSISTOR		A			N09-4495-05	ADJUSTABLE SCREW (ADJUSTMENT SC)	
Q13		*	UN5114-F	DIGITAL TRANSISTOR		B			N09-4496-05	TAPTITE SCREW (02 2X5P-TITE)	
Q15		*	UN5114-F	DIGITAL TRANSISTOR		C			N09-6060-05	MACHINE SCREW (02M1.7X1.8 CR)	
TH1			TH11-3H103FT	THERMISTOR		D			N09-6061-05	MACHINE SCREW (02M1.7X3.5CUP)	
DVD MECHANISM ASSY (X92-5150-00)						E			N09-6103-05	MACHINE SCREW (M1.7X3.5(NK G)	
1	2B		A10-4909-21	CHASSIS		F			N09-6104-05	MACHINE SCREW (2X10 S-TITE)	
2	1A		A10-4910-11	CHASSIS		G			N09-6106-05	MACHINE SCREW (M1.7X2.5)	
3	1A		A10-4911-02	CHASSIS		J			N19-2022-04	FLAT WASHER (1.6X3.2X0.25)	
4	1B		A10-4913-11	CHASSIS		K			N19-2171-04	FLAT WASHER (3.1X6X0.25)	
5	3A		A10-4952-81	CHASSIS ASSY		VM1			T42-1058-25	MOTOR ASSY	
7	1B		A10-4990-33	CHASSIS ASSY							

K : North America

△ Indicates safety critical components.

