

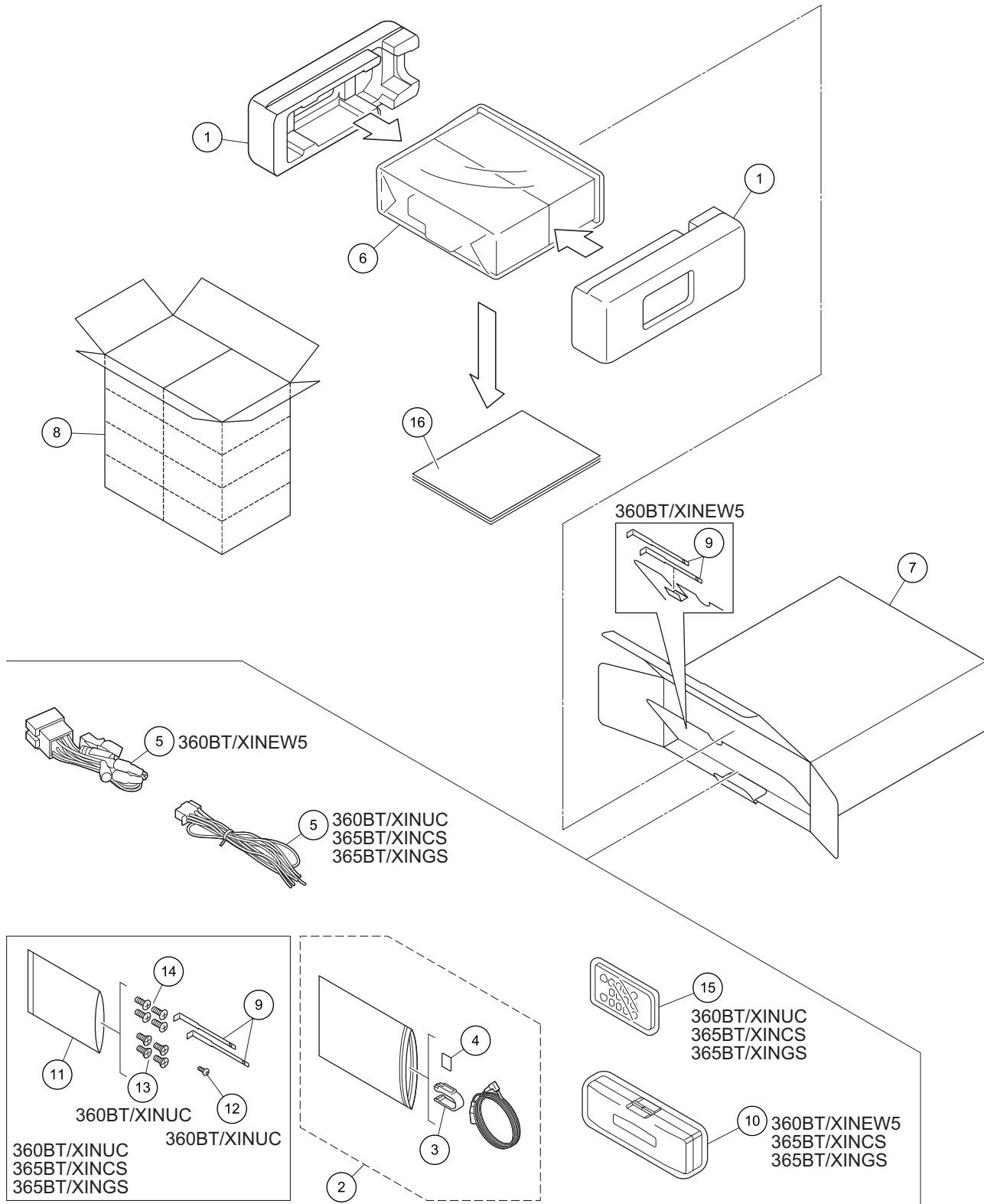


# 9. EXPLODED VIEWS AND PARTS LIST

- NOTES :
- Parts marked by "\*" are generally unavailable because they are not in our Master Spare Parts List.
  - The  mark found on some component parts indicates the importance of the safety factor of the part. Therefore, when replacing, be sure to use parts of identical designation.
  - Screw adjacent to  mark on the product are used for disassembly.
  - For the applying amount of lubricants or glue, follow the instructions in this manual.  
(In the case of no amount instructions, apply as you think it appropriate.)

## 9.1 PACKING



**(1) PACKING SECTION PARTS LIST**

<u>Mark No.</u>	<u>Description</u>	<u>Part No.</u>	<u>Mark No.</u>	<u>Description</u>	<u>Part No.</u>
1	Protector	CHP4595	10	Case Assy	See Contrast table (2)
2	Microphone Assy	CPM1083			
3	Holder	CZN7192	11	Polyethylene Bag	See Contrast table (2)
4	Cushion	CZN7193	12	Screw	See Contrast table (2)
5	Cord Assy	See Contrast table (2)	13	Screw	See Contrast table (2)
			14	Screw	See Contrast table (2)
6	Polyethylene Bag	See Contrast table (2)	15	Card Remote Control Unit	See Contrast table (2)
7	Unit Box	See Contrast table (2)			
8	Contain Box	See Contrast table (2)	16-1	Owner's Manual	See Contrast table (2)
9	Handle	QNC3021	* 16-2	Warranty Card	See Contrast table (2)

**(2) CONTRAST TABLE**

MVH-X360BT/XINEW5, MVH-X360BT/XINUC, MVH-X365BT/XINCS and MVH-X365BT/XINGS are constructed the same except for the following:

Mark	No.	Description	MVH-X360BT /XINEW5	MVH-X360BT /XINUC	MVH-X365BT /XINCS	MVH-X365BT /XINGS
	5	Cord Assy	QDP3014	CDP1480	CDP1480	CDP1480
	6	Polyethylene Bag	QEG3001	CEG1173	QEG3001	QEG3001
	7	Unit Box	QHG3531	QHG3539	QHG3532	QHG3533
	8	Contain Box	QHL3531	QHL3539	QHL3532	QHL3533
	10	Case Assy	QXA3129	Not used	QXA3129	QXA3129
	11	Polyethylene Bag	Not used	CEG1160	CEG1160	CEG1160
	12	Screw	Not used	BPZ20P060FTC	Not used	Not used
	13	Screw	Not used	CRZ50P090FTC	Not used	Not used
	14	Screw	Not used	TRZ50P080FTC	TRZ50P080FTC	TRZ50P080FTC
	15	Card Remote Control Unit	Not used	QXE1044	QXE1044	QXE1044
	16-1	Owner's Manual	QRD3211	QRD3221	QRD3212	QRD3213
*	16-2	Warranty Card	CRY1376	QRY3001	Not used	Not used

**Owner's Manual, Installation Manual**

Part No.	Language
QRD3211	English, French, Italian, Spanish(Espanol), German, Dutch, Russian
QRD3212	English, Spanish(Espanol), Portuguese(B)
QRD3213	English, Traditional Chinese, Arabic, Persian
QRD3221	English, French, Spanish(Espanol)

# 9.2 EXTERIOR

1

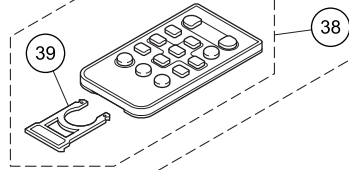
2

3

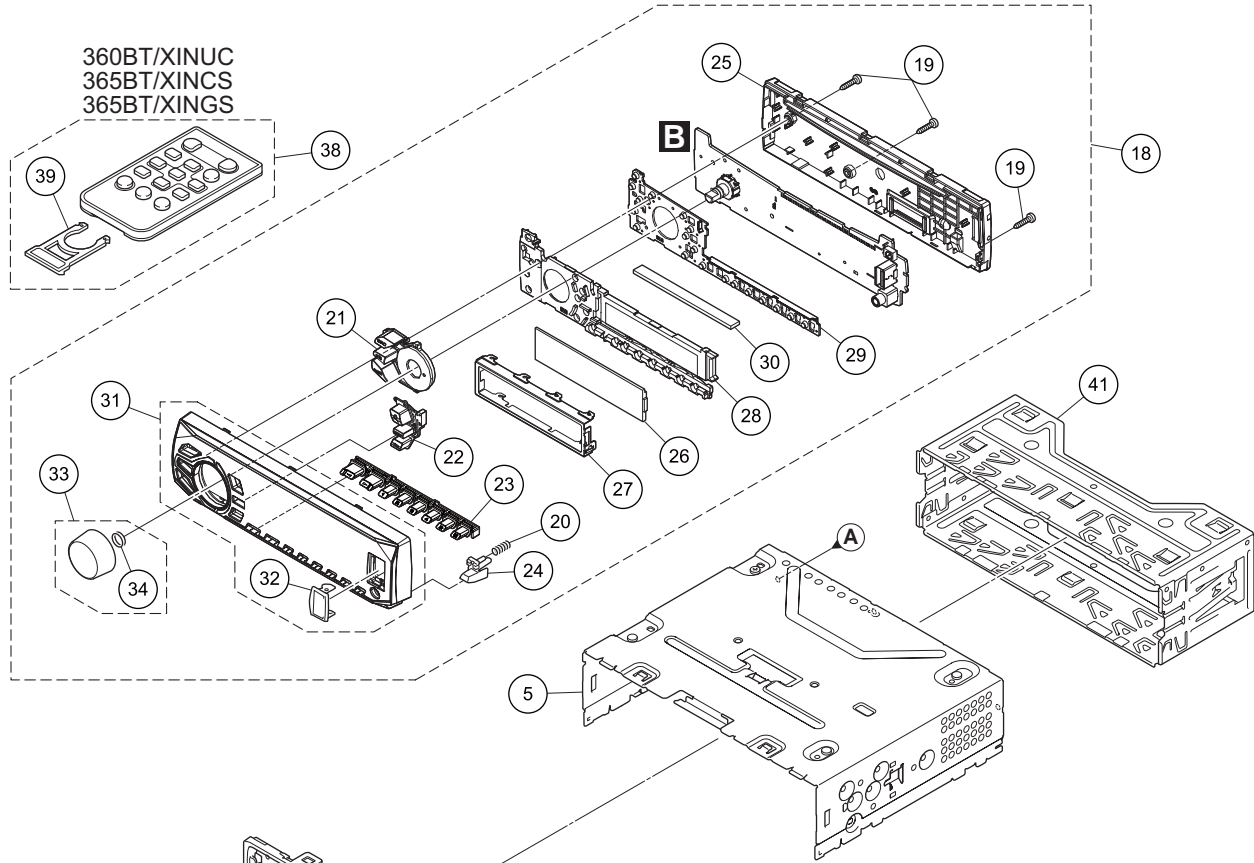
4

A

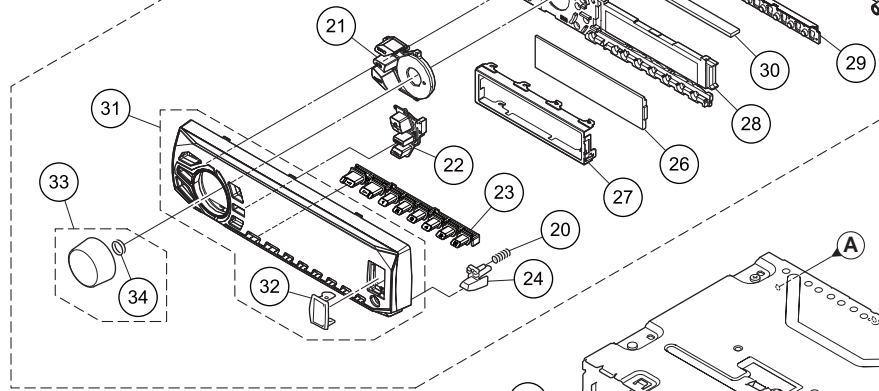
360BT/XINUC  
365BT/XINCS  
365BT/XINGS



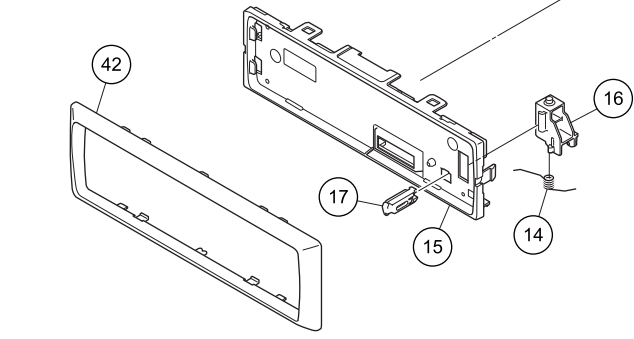
B



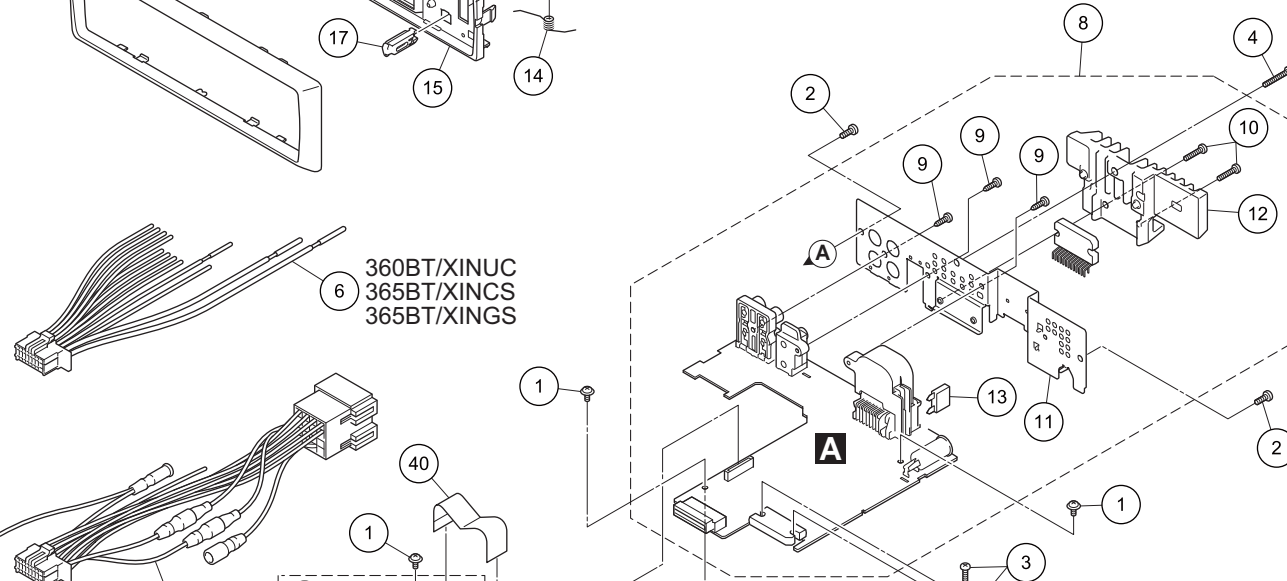
B



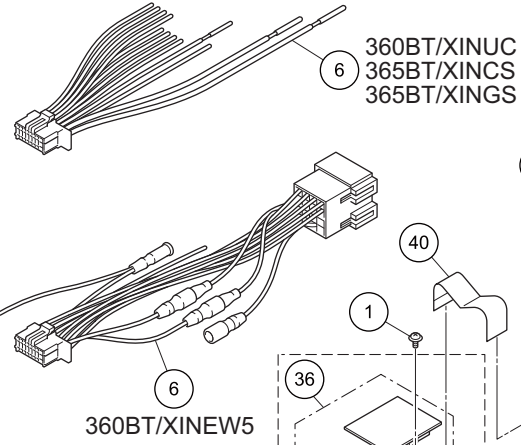
C



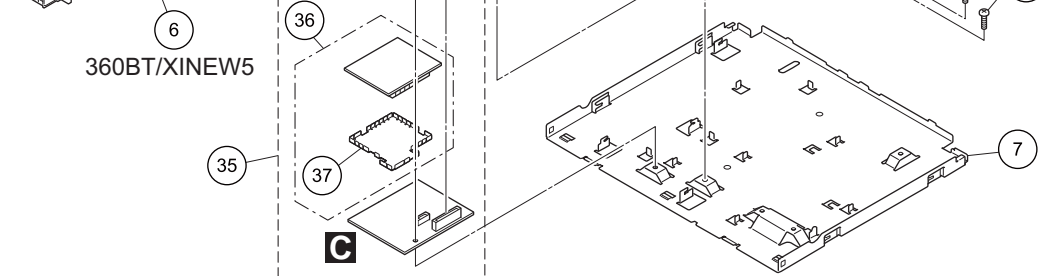
D



E



F



MVH-X360BT/XINEW5

1

2

3

4

**(1) EXTERIOR SECTION PARTS LIST**

<u>Mark No.</u>	<u>Description</u>	<u>Part No.</u>	<u>Mark No.</u>	<u>Description</u>	<u>Part No.</u>
1	Screw	ASZ26P050FTC	22	Button (DISP)	QAC3125
2	Screw	BSZ26P060FTC	23	Button (< > 1-6)	QAC3126
3	Screw	BSZ26P080FTC	24	Button (DETACH)	QAC3127
4	Screw	BSZ26P120FTC	25	Cover	QNS3567
5	Chassis	CNA3181			
6	Cord Assy	See Contrast table (2)	26	Segment LCD (V1801)	CAW2024
7	Case	QNB3014	27	Holder	QNC3067
8	Tuner Amp Unit	See Contrast table (2)	28	Lighting Conductor	QNV3069
9	Screw	BPZ26P080FTC	29	Contact Rubber	QNV3070
10	Screw	BSZ26P120FTC	30	Rubber Connector	QNV3071
11	Holder	See Contrast table (2)	31	Grille Unit	See Contrast table (2)
12	Heat Sink	See Contrast table (2)	32	Door	QAT3011
13	Fuse (10 A)	YEK5001	33	Knob Unit	See Contrast table (2)
14	Spring	QBH3001	34	Spring	YBL5010
15	Panel	QNS3289	35	BT Unit	QWM3750
16	Arm	QNV3025	36	BT Module	YWX5044
17	Button	QNV3026	37	Shield Case	YNC5123
18	Detachable Grille Assy	See Contrast table (2)	38	Card Remote Control Unit	See Contrast table (2)
19	Screw	BPZ20P100FTC	39	Cover	See Contrast table (2)
20	Spring	CBH2210	40	FFC	QDE3028
21	Button (SRC, BAND)	QAC3120	41	Holder	QNC3020
			42	Panel	QNS3568

**(2) CONTRAST TABLE**

MVH-X360BT/XINEW5, MVH-X360BT/XINUC, MVH-X365BT/XINCS and MVH-X365BT/XINGS are constructed the same except for the following:

Mark	No.	Description	MVH-X360BT /XINEW5	MVH-X360BT /XINUC	MVH-X365BT /XINCS	MVH-X365BT /XINGS
	6	Cord Assy	QDP3014	CDP1480	CDP1480	CDP1480
	8	Tuner Amp Unit	QWM3665	QWM3664	QWM3666	QWM3667
	11	Holder	QNC3053	QNC3054	QNC3054	QNC3054
	12	Heat Sink	QNR3010	QNR3010	QNR3010	QNR3002
	18	Detachable Grille Assy	QXA3858	QXA4069	QXA3859	QXA4037
	31	Grille Unit	QXA3890	QXA4070	QXA3891	QXA3869
	33	Knob Unit	QXA3671	QXA3670	QXA3670	QXA3670
	38	Card Remote Control Unit	Not used	QXE1044	QXE1044	QXE1044
	39	Cover	Not used	CNS7068	CNS7068	CNS7068

# 12. ELECTRICAL PARTS LIST

**NOTE:**

- Parts whose parts numbers are omitted are subject to being not supplied.
- The part numbers shown below indicate chip components.

*Chip Resistor*

RS1/○S○○○○J,RS1/○○S○○○○J

*Chip Capacitor (except for CQS.....)*

CKS....., CCS....., CSZS.....

- The  $\triangle$  mark found on some component parts indicates the importance of the safety factor of the part. Therefore, when replacing, be sure to use parts of identical designation.
- Meaning of the figures and others in the parentheses in the parts list.

Example) IC 301 is on the point (face A, 91 of x-axis, and 111 of y-axis) of the corresponding PC board.

IC 301 (A, 91, 111) IC NJM2068V

- The expression of the unit in this manual is shown by u instead of  $\mu$ . Please do not make a mistake.

	<u>Circuit Symbol and No.</u>	<u>Part No.</u>	<u>Circuit Symbol and No.</u>	<u>Part No.</u>
<b>A:</b>	MVH-X360BT/XINEW5		IC 681 (A,114,94) Flash ROM Unit(A,C,D)	PEB096A8
<b>B:</b>	MVH-X360BT/XINUC		(A,114,94) Flash ROM Unit(B)	PEB102A8
<b>C:</b>	MVH-X365BT/XINCS		IC 801 (A,104,18) L-MOS And Gate	TC7SET08FUS1
<b>D:</b>	MVH-X365BT/XINGS		IC 911 (A,145,28) IC	BA49183-V12
<b>Unit Number:</b>	QWM3665(A)		Q 251 (A,13,130) Chip Transistor(A)	RN1910
<b>Unit Number:</b>	QWM3664(B)		Q 252 (A,23,131) Chip Transistor	RN1910
<b>Unit Number:</b>	QWM3666(C)		Q 301 (A,86,127) Chip Transistor	RN4983
<b>Unit Number:</b>	QWM3667(D)		Q 531 (A,93,97) Transistor	LSAR523UB
<b>Unit Name :</b>	Tuner Amp Unit		Q 601 (A,93,68) Transistor	LTC014YEB
<b>Unit Number:</b>	(A)		Q 873 (A,149,72) Transistor	2SD1767
<b>Unit Number:</b>	(B,C,D)		Q 874 (A,149,65) Chip Transistor	RN4983
<b>Unit Name :</b>	Keyboard Unit		Q 875 (A,147,54) Transistor	LTC043EEB
<b>Unit Number:</b>	QWM3750		Q 941 (A,96,121) Transistor	LSCR523UB
<b>Unit Name :</b>	BT Unit		D 401 (A,158,107) Diode	RN731VN
<b>Unit Number:</b>	QWM3665(A)		D 402 (A,158,100) Diode	RN731VN
<b>Unit Number:</b>	QWM3664(B)		D 551 (A,22,124) Diode	CMS03
<b>Unit Number:</b>	QWM3666(C)		D 552 (A,22,104) Diode	RB056L-40
<b>Unit Number:</b>	QWM3667(D)		D 601 (A,130,81) Diode(A,B)	RB751SM-40
<b>Unit Name :</b>	Tuner Amp Unit		D 602 (A,91,75) Diode(A,B)	RB551VM-30
<b>Unit Number:</b>	QWM3665(A)		D 802 (A,92,17) Diode	DZ2S068C
<b>Unit Number:</b>	QWM3664(B)		D 803 (A,126,15) Diode	DZ2S068C
<b>Unit Number:</b>	QWM3666(C)		D 804 (A,119,14) Diode	DZ2S068C
<b>Unit Number:</b>	QWM3667(D)		D 805 (A,120,13) Diode	DZ2S068C
<b>Unit Name :</b>	Tuner Amp Unit		D 806 (A,116,13) Diode	DZ2S068C
<b>Unit Number:</b>	QWM3665(A)		D 807 (A,113,13) Diode	DZ2S068C
<b>Unit Number:</b>	QWM3664(B)		D 871 (A,148,61) Diode	DZ2J075M0
<b>Unit Number:</b>	QWM3666(C)		D 901 (A,141,127) Diode	1SR154-400
<b>Unit Number:</b>	QWM3667(D)		D 902 (A,137,127) Diode	1SR154-400
<b>Unit Name :</b>	Tuner Amp Unit		D 911 (A,158,66) Diode	CRG03
<b>Unit Number:</b>	QWM3665(A)		D 912 (A,161,66) Diode	CRG03
<b>Unit Number:</b>	QWM3664(B)		D 941 (A,93,125) Diode(A)	DZ2J075M0
<b>Unit Number:</b>	QWM3666(C)		(A,93,125) Diode(B,C,D)	DZ2J068M0
<b>Unit Number:</b>	QWM3667(D)		L 202 (A,94,102) Inductor	CTF1793
<b>Unit Name :</b>	Tuner Amp Unit		L 401 (A,155,104) Chip Coil	LCTAWR27J2520
<b>Unit Name :</b>	BT Unit		L 402 (A,159,104) Chip Coil	LCTAWR15J2520
<b>Unit Number:</b>	QWM3665(A)		L 403 (A,151,102) Inductor	CTF1786
<b>Unit Number:</b>	QWM3664(B)		L 404 (A,146,102) Inductor	CTF1786
<b>Unit Number:</b>	QWM3666(C)		L 405 (A,151,108) Inductor(B,C)	LCYB68NJ1608
<b>Unit Number:</b>	QWM3667(D)		L 406 (A,147,105) Inductor(A,B,C)	CTF1389
<b>Unit Name :</b>	Tuner Amp Unit		L 407 (A,147,107) Chip Coil(D)	LCTAWR27J2520
<b>Unit Name :</b>	BT Unit			
<b>MISCELLANEOUS</b>				
IC 201	(A,101,107) LSI	PM9013A		
IC 301	(A,78,142) IC	PA2032A		
IC 401	(A,150,91) IC	TDA7706		
IC 531	(A,93,88) IC	337S3959		
IC 551	(A,19,111) Regulator IC	BD9876EFJ		
IC 552	(A,106,24) IC	BD2232G-G		
IC 601	(A,110,77) IC	R5S726A0D216FP		
IC 671	(A,131,75) IC	S-80827CNMC-B8M		

5		6		7		8	
<u>Circuit Symbol and No.</u>		<u>Part No.</u>		<u>Circuit Symbol and No.</u>		<u>Part No.</u>	
L 408	(A,141,104) Inductor(A,B,C)	LCTC4R7K1608		R 412	(A,152,78)	RS1/4SA8R2J	
	(A,141,104) Inductor(D)	LCTC1R5K1608		R 413	(A,158,78)	RS1/4SA8R2J	
L 409	(A,143,109) Chip Coil(D)	LCTAWR39J2520		R 414	(A,139,87)	RS1/16SS0R0J	
L 410	(A,137,94) Chip Coil(A,B,C)	LCTAW470J2520		R 415	(A,152,80) (B,C,D)	RS1/16SS0R0J	A
	(A,137,94) Inductor(D)	LCTAW2R2J2520		R 531	(A,91,94)	RS1/16SS473J	
L 413	(A,144,82) Inductor	CTF1786		R 532	(A,91,85)	RS1/16SS222J	
L 414	(A,153,80) Inductor(A)	CTF1786		R 533	(A,92,85)	RS1/16SS222J	
L 419	(A,161,95) Inductor	CTF1786		R 534	(A,93,92)	RS1/16SS272J	
L 420	(A,161,96) Inductor	CTF1786		R 535	(A,95,92)	RS1/16SS472J	
L 551	(A,30,107) Inductor	CTH1524		R 536	(A,96,92)	RS1/16SS472J	
L 801	(A,115,17) Inductor	CTF1713		R 537	(A,96,85)	RS1/16SS101J	
L 901	(A,112,141) Choke Coil 600 uH	CTH1432		R 538	(A,95,84)	RS1/16SS101J	
X 401	(A,161,88) Crystal Resonator 36.48 MHz	CSS1848		R 551	(A,25,111)	RS1/16SS682J	
X 601	(A,126,76) Crystal Resonator 12 MHz	CSS1847		R 552	(A,30,112)	RS1/16SS0R0J	
X 603	(A,123,92) Resonator 16.93 MHz	CSS1794		R 553	(A,27,112)	RS1/16SS1803D	B
△ P251	(A,6,130) Fuse 3.0 A	CEK1386		R 554	(A,27,110)	RS1/16SS4302D	
P 402	(A,155,111) Surge Absorber	HSPC16701B02		R 555	(A,39,124)	RS1/10SR471J	
VA801	(A,108,13) SMD Varistor	MLV0402ES012V0010N		R 601	(A,101,66)	RS1/16SS473J	
VA802	(A,101,13) SMD Varistor	MLV0402ES012V0010N		R 602	(A,107,63)	RS1/16SS473J	
CN801	(A,109,4) Connector	CKS6452		R 603	(A,109,62)	RS1/16SS473J	
CN971	(A,93,49) Connector	VKN1192		R 609	(A,122,64)	RS1/16SS473J	
JA251	(A,19,138) Pin Jack(A)	CKB1099		R 610	(A,122,70)	RS1/16SS473J	
	(A,19,138) Pin Jack(B,C,D)	CKB1056		R 611	(A,123,69)	RS1/16SS473J	
JA401	(A,158,129) Antenna Jack	YKS5041		R 613	(A,121,76)	RS1/16SS152J	
JA892	(A,42,141) Jack	YKS5035		R 614	(A,122,78)	RS1/16SS473J	
JA901	(A,113,141) Connector	CKM1613		R 615	(A,130,79)	RS1/16SS473J	C
△ Fuse (10 A)		YEK5001		R 616	(A,125,67)	RS1/16SS473J	
				R 617	(A,131,81)	RS1/16SS103J	
				R 618	(A,125,82) (A)	RS1/16SS473J	
					(A,125,82) (D)	RS1/16SS103J	
				R 619	(A,126,82) (B,C,D)	RS1/16SS473J	
				R 622	(A,125,87)	RS1/16SS473J	
R 251	(A,18,131) (A)	RS1/16SS821J		R 623	(A,130,85)	RAB4CQ473J	
R 252	(A,13,128) (A)	RS1/16SS821J		R 624	(A,120,89)	RS1/16SS222J	
R 253	(A,15,131) (A)	RS1/16SS223J		R 625	(A,114,90)	RS1/16SS221J	
R 254	(A,11,131) (A)	RS1/16SS223J		R 626	(A,113,90)	RS1/16SS221J	
R 255	(A,29,132)	RS1/16SS821J		R 627	(A,112,88)	RS1/16SS221J	D
R 256	(A,19,131)	RS1/16SS821J		R 628	(A,111,90)	RS1/16SS221J	
R 257	(A,28,131)	RS1/16SS223J		R 629	(A,109,92)	RS1/16SS221J	
R 258	(A,21,131)	RS1/16SS223J		R 630	(A,110,89)	RS1/16SS221J	
R 301	(A,68,127)	RS1/16SS471J		R 631	(A,107,92)	RS1/16SS473J	
R 302	(A,82,125)	RS1/16SS471J		R 632	(A,105,91)	RS1/16SS473J	
R 303	(A,73,127)	RS1/16SS471J		R 633	(A,107,90)	RS1/16SS101J	
R 304	(A,78,126)	RS1/16SS471J		R 634	(A,103,88)	RS1/16SS102J	
R 305	(A,89,127)	RS1/16SS103J		R 635	(A,102,88)	RS1/16SS102J	
R 306	(A,89,129)	RS1/16SS221J		R 636	(A,100,91)	RS1/16SS473J	
R 307	(A,88,128)	RS1/16SS223J		R 637	(A,100,90)	RS1/16SS473J	E
R 309	(A,89,125)	RS1/16SS103J		R 638	(A,104,92)	RS1/16SS473J	
R 310	(A,99,129)	RS1/16SS0R0J		R 639	(A,97,91)	RS1/16SS472J	
R 311	(A,87,125)	RS1/16SS473J		R 640	(A,98,91)	RS1/16SS472J	
R 401	(A,161,106)	RS1/16SS221J		R 643	(A,99,82)	RS1/16SS104J	
R 402	(A,161,100)	RS1/16SS751J		R 644	(A,98,79)	RS1/16SS101J	
R 403	(A,139,104) (A,B,C)	RS1/16SS391J		R 645	(A,95,79)	RS1/16SS101J	
	(A,139,104) (D)	RS1/16SS331J		R 646	(A,92,75)	RS1/16SS103J	
R 404	(A,142,99)	RS1/16SS105J		R 647	(A,98,78)	RS1/16SS101J	
R 406	(A,154,108)	RS1/16SS105J		R 648	(A,95,76)	RS1/16SS102J	
R 407	(A,139,96)	RS1/16SS330J		R 649	(A,95,75)	RS1/16SS102J	F
R 408	(A,137,97) (A,B,C)	RS1/16SS471J		R 650	(A,95,74)	RS1/16SS102J	
	(A,137,97) (D)	RS1/16SS361J		R 651	(A,97,71)	RS1/16SS473J	
R 409	(A,144,98) (D)	RS1/16SS0R0J		R 652	(A,98,69)	RS1/16SS222J	
R 411	(A,138,91) (A,B,C)	RS1/16SS681J		R 653	(A,100,66)	RS1/16SS103J	
	(A,138,91) (D)	RS1/16SS391J					

**RESISTORS**

	1	2	3	4
	<u>Circuit Symbol and No.</u>	<u>Part No.</u>	<u>Circuit Symbol and No.</u>	<u>Part No.</u>
	R 659 (A,123,61)	RS1/16SS153J	C 203 (A,92,116)	CKSRYB105K10
	R 660 (A,123,60)	RS1/16SS153J	C 204 (A,107,115)	CKSRYB105K10
	R 664 (A,133,62)	RS1/16SS103J	C 205 (A,94,116)	CKSRYB105K10
A	R 668 (A,93,71)	RS1/16SS473J	C 206 (A,107,114)	CKSRYB105K10
	R 669 (A,95,69)	RS1/16SS473J	C 207 (A,94,108)	CKSSYB104K10
	R 670 (A,119,60) (A,C,D)	RS1/16SS473J	C 208 (A,94,106)	CKSSYB104K10
	R 671 (A,130,69)	RS1/16SS104J	C 209 (A,93,104) 10 uF	CCG1192
	R 681 (A,109,97)	RS1/16SS473J	C 210 (A,96,106)	CCSSCH151J50
	R 682 (A,110,91)	RS1/16SS473J	C 211 (A,109,107)	CCSSCH151J50
	R 683 (A,120,92)	RS1/16SS473J	C 212 (A,108,109) 10 uF	CCG1192
	R 684 (A,109,94)	RS1/16SS473J	C 213 (A,108,106)	CKSSYB104K10
	R 685 (A,120,96)	RS1/16SS473J	C 214 (A,108,104)	CKSSYB104K10
	R 705 (A,119,44)	RS1/16SS473J	C 215 (A,108,102)	CKSSYB104K10
B	R 719 (A,121,36)	RS1/16SS473J	C 216 (A,92,101) 10 uF	CCG1192
	R 721 (A,115,36)	RS1/16SS473J	C 217 (A,95,100)	CKSSYB104K10
	R 722 (A,118,38)	RS1/16SS473J	C 218 (A,114,109)	XCEVW470M16
	R 723 (A,120,38)	RS1/16SS473J	C 219 (A,112,103) 10 uF	CCG1192
	R 724 (A,107,38)	RS1/16SS473J	C 220 (A,106,98) 10 uF	CCG1192
	R 754 (A,127,92)	RS1/16SS473J	C 223 (A,91,101)	CKSSYB102K50
	R 801 (A,124,22)	RS1/10SR222J	C 224 (A,115,103)	CKSSYB104K10
	R 803 (A,121,18)	RS1/16SS223J	C 229 (A,110,112)	CKSSYB102K50
	R 804 (A,118,18)	RS1/16SS223J	C 236 (A,110,104)	CKSRYB105K10
	R 805 (A,121,19)	RS1/10SR101J	C 251 (A,35,128) 4.7 uF(A)	CCG1201
	R 806 (A,118,20)	RS1/10SR101J	C 252 (A,17,127) 4.7 uF(A)	CCG1201
C	R 807 (A,119,20)	RS1/10SR101J	C 253 (A,17,130) (A)	CCSSCH101J50
	R 808 (A,124,20)	RS1/10SR222J	C 254 (A,10,130) (A)	CCSSCH101J50
	R 809 (A,115,21)	RS1/10SR220J	C 255 (A,35,132) 4.7 uF	CCG1201
	R 810 (A,114,21)	RS1/10SR220J	C 256 (A,31,130) 4.7 uF	CCG1201
	R 813 (A,107,16)	RS1/10SR222J	C 257 (A,26,131)	CCSSCH101J50
	R 814 (A,101,19)	RS1/10SR222J	C 258 (A,20,131)	CCSSCH101J50
	R 815 (A,100,19)	RS1/16SS822J	C 260 (A,33,138)	CKSSYB104K10
	R 816 (A,96,19)	RS1/10SR222J	C 261 (A,6,133)	CKSSYB103K16
	R 817 (A,95,19)	RS1/10SR222J	C 301 (A,69,129)	CKSRYB224K16
	R 818 (A,104,13)	RS1/10SR0R0J	C 303 (A,80,129)	CKSRYB224K16
	R 851 (A,93,20)	RS1/16SS472J	C 305 (A,72,129)	CKSRYB224K16
D	R 874 (A,147,58)	RS1/10SR391J	C 307 (A,77,129)	CKSRYB224K16
	R 875 (A,149,58)	RS1/10SR473J	C 313 (A,83,130)	CKSRYB105K16
	R 878 (A,124,26)	RS1/10SR103J	C 314 (A,135,126)	CKSRYB104K16
	R 879 (A,156,67)	RS1/10SR122J	C 317 (A,60,129)	XCEVW100M16
	R 891 (A,58,138)	RS1/16SS102J	C 319 (A,62,134)	CCSSCH101J50
	R 892 (A,58,136)	RS1/16SS102J	C 320 (A,64,134)	CCSSCK1R0C50
	R 911 (A,145,40)	RS1/10SR1R0J	C 321 (A,83,129)	CCSSCH101J50
	R 912 (A,141,41)	RS1/10SR1R0J	C 322 (A,106,126)	CKSRYB104K16
	R 913 (A,154,41)	RS1/16SS223J	C 323 (A,106,129)	CCSRCH100D50
	R 914 (A,130,40)	RS1/16SS223J	C 324 (A,102,129)	CCSRCH100D50
	R 941 (A,94,121)	RS1/16SS223J	C 325 (A,94,132)	CCSRCH100D50
E	R 942 (A,94,122)	RS1/16SS473J	C 326 (A,95,140)	CCSRCH100D50
	R 943 (A,95,125) (A)	RS1/16SS333J	C 327 (A,87,129)	CKSRYB105K10
	R 944 (A,95,125) (B,C,D)	RS1/16SS682J	C 401 (A,154,100)	CKSSYB104K10
	R 944 (A,98,123) (A)	RS1/4SA122J	C 402 (A,155,101)	CKSSYB103K16
	R 973 (A,90,63)	RS1/4SA102J	C 403 (A,152,102)	CKSRYB105K10
	R 974 (A,98,55)	RS1/16SS222J	C 405 (A,162,101)	CKSSYB103K16
	R 975 (A,98,54)	RS1/16SS101J	C 406 (A,160,101)	CKSSYB103K16
	R 976 (A,98,52)	RS1/16SS101J	C 408 (A,161,105)	CKSSYB103K16
			C 409 (A,156,105)	CCSSCH6R0D50
			C 410 (A,155,107)	CCSSCH330J50
			C 411 (A,148,99)	CKSSYB103K16
			C 412 (A,148,101)	CKSSYB104K10
F	<b>CAPACITORS</b>			
	C 201 (A,96,115)	CKSRYB105K10	C 413 (A,150,101)	CKSSYB104K10
	C 202 (A,104,116)	CKSRYB105K10	C 414 (A,145,100)	CKSSYB103K16

5		6		7		8	
<u>Circuit Symbol and No.</u>		<u>Part No.</u>		<u>Circuit Symbol and No.</u>		<u>Part No.</u>	
C 415	(A,144,101) 10 uF	CCG1192		C 605	(A,116,65)	CKSSYB104K10	
C 416	(A,147,100)	CKSSYB104K10		C 606	(A,122,71)	CKSSYB104K10	
C 418	(A,142,101)	CKSSYB223K16		C 607	(A,126,73)	CCSSCH120J50	
C 419	(A,146,110) (D)	CCSSCH150J50		C 608	(A,126,78)	CCSSCH120J50	A
C 420	(A,150,106) (A,D)	CKSSYB103K16		C 609	(A,121,73)	CKSSYB104K10	
C 421	(A,154,111) (B,C)	CCSSCJ3R0C50		C 610	(A,121,75)	CKSSYB104K10	
C 423	(A,144,106) (D)	CCSSCH8R0D50		C 611	(A,122,77)	CKSSYB104K10	
C 424	(A,140,101)	CKSSYB103K16		C 612	(A,122,82)	CKSSYB104K10	
C 425	(A,138,99) 10 uF	CCG1192		C 613	(A,123,82)	CKSSYB104K10	
C 426	(A,139,97)	CKSSYB104K10		C 618	(A,123,89)	CCSSCH120J50	
C 427	(A,144,97)	CKSSYB104K10		C 619	(A,123,94)	CCSSCH120J50	
C 428	(A,137,96) (A,B,C)	CCSSCH101J50		C 620	(A,114,88)	CKSSYB104K10	
	(A,137,96) (D)	CCSSCH220J50		C 621	(A,108,88)	CKSSYB104K10	
C 429	(A,136,96)	CKSSYB103K16		C 622	(A,105,93)	CCSSCH220J50	B
C 430	(A,139,90)	CKSSYB102K50		C 623	(A,106,88)	CKSSYB104K10	
C 432	(A,138,92) (A,B,C)	CCSSCH820J50		C 624	(A,105,88)	CKSSYB104K10	
	(A,138,92) (D)	CCSSCK2R0C50		C 625	(A,104,90)	CKSSYB104K10	
C 433	(A,136,91)	CKSSYB102K50		C 626	(A,100,80)	CKSSYB104K10	
C 435	(A,139,86) (A,B,C)	CKSRYB474K10		C 627	(A,97,81)	CCSSCH220J50	
	(A,139,86) (D)	CKSRYB105K10		C 628	(A,95,81)	CCSSCH220J50	
C 439	(A,145,80) (D)	CKSRYB104K16		C 629	(A,99,75)	CKSSYB104K10	
C 440	(A,142,86)	CKSSYB102K50		C 630	(A,99,73)	CKSSYB104K10	
C 441	(A,137,89) (B,C,D)	CCSSCH100D50		C 631	(A,96,77)	CCSSCH220J50	
C 442	(A,146,83)	CKSSYB104K10		C 672	(A,123,73) 1 uF	DCH1246	C
C 444	(A,152,82) 2.2 uF	CCG1218		C 681	(A,121,96)	CKSSYB104K10	
C 445	(A,156,82) (A,B,C)	CKSSYB104K10		C 683	(A,120,94)	CCSSCJ3R0C50	
C 447	(A,157,83) (B,C)	CKSRYB105K10		C 801	(A,124,6)	CCSRCH221J50	
C 448	(A,158,85) (A,B,C)	CKSSYB104K10		C 806	(A,125,8)	CKSRYB104K16	
	(A,158,85) (D)	CKSSYB103K16		C 807	(A,122,14)	CKSRYB105K10	
C 449	(A,161,85)	CCSSCH9R0D50		C 808	(A,108,19)	CKSRYB104K16	
C 450	(A,161,90)	CCSSCH9R0D50		C 809	(A,96,16)	CCSRCH221J50	
C 451	(A,158,91)	CKSSYB104K10		C 810	(A,96,13)	CCSRCH221J50	
C 452	(A,158,94)	CKSRYB105K10		C 811	(A,104,20)	CKSSYB104K10	
C 453	(A,160,96)	CKSSYB104K10		C 871	(A,153,62)	CKSSYB104K16	
C 455	(A,159,97)	CKSRYB224K16		C 873	(A,124,24)	CKSRYB104K16	
C 456	(A,161,92)	CKSSYB472K25		C 891	(A,52,138)	CKSRYB104K16	D
C 457	(A,161,93)	CKSSYB472K25		C 892	(A,34,139)	CKSRYB104K16	
C 459	(A,154,83) (A,B,C)	CCSSCH101J50		C 893	(A,34,135)	CKSRYB102K50	
	(A,154,83) (D)	CKSSYB102K50		C 894	(A,52,134)	CKSRYB102K50	
C 461	(A,145,104) (A,B,C)	CKSSYB104K10		C 901	(A,133,124) 2 200 uF/16 V	CCH2040	
C 464	(A,162,98) 1 uF(D)	DCH1246		C 912	(A,152,40)	CKSSYB102K50	
C 465	(A,142,106) (D)	CKSSYB103K16		C 913	(A,131,43)	CKSSYB102K50	
C 466	(A,137,79) (D)	CKSRYB105K10		C 914	(A,156,56)	XCEAT102M16	
C 467	(A,150,81) (D)	CKSSYB104K10		C 915	(A,132,42)	CKSRYB104K16	
C 468	(A,142,79) (D)	CKSRYB105K10		C 916	(A,147,43) 4.7 uF	CCG1201	
C 531	(A,91,93)	CKSSYB104K10		C 917	(A,145,46)	CKSSYB102K50	
C 532	(A,93,93)	CKSSYB104K10		C 919	(A,151,42) 4.7 uF	CCG1201	E
C 551	(A,13,121)	XCEVW221M16		C 921	(A,135,42) 4.7 uF	CCG1201	
C 552	(A,13,107)	CKSRYB105K16		C 923	(A,159,41) 4.7 uF	CCG1201	
C 553	(A,15,110)	CKSSYB103K16		C 926	(A,140,44) 4.7 uF	CCG1201	
C 555	(A,25,112)	CKSSYB682K25		C 927	(A,139,42)	CKSSYB102K50	
C 556	(A,32,120)	CEVQW221M6R3		C 941	(A,96,124)	CKSRYB104K16	
C 557	(A,32,116)	CKSRYB105K10		C 969	(A,135,113) 10 uF	CCG1192	
C 560	(A,108,21)	CKSRYB105K10		C 973	(A,98,53)	CCSSCH470J50	
C 561	(A,102,24)	CKSRYB105K10					
C 564	(A,32,114) 4.7 uF	CCG1201					
C 565	(A,15,107) 4.7 uF	CCG1222					
C 601	(A,104,66)	CKSSYB104K10					
C 602	(A,109,65)	CKSSYB104K10					
C 603	(A,111,65)	CKSSYB104K10					
C 604	(A,112,65)	CKSSYB104K10					

**B**  
Unit Number : (A)  
Unit Number : (B,C,D)  
Unit Name : Keyboard Unit



**Circuit Symbol and No.****Part No.****Circuit Symbol and No.****Part No.****MISCELLANEOUS**

A	IC 1801	(B,84,22) IC	PD6583A8
	IC 1941	(A,156,38) IR RC REC Module(B,C,D)	SIR8440B5
	Q 1951	(B,16,15) Transistor(B,C,D)	LTC014EEB
	Q 1952	(B,18,19) Transistor(A)	LTC014EEB
	D 1951	(A,64,21) White LED	SWBA05(FI231719)

R 1952	(B,59,22)	RS1/4SA221J
R 1956	(B,51,20) (B,C,D)	RS1/10SR152J
R 1958	(B,28,7) (B,C,D)	RS1/10SR821J
R 1960	(B,20,30) (B,C,D)	RS1/10SR152J
R 1962	(B,88,10) (B,C,D)	RS1/10SR152J
R 1964	(B,57,12) (B,C,D)	RS1/10SR152J
R 1966	(B,141,19) (B,C,D)	RS1/10SR152J

D 1953	(A,52,19) Blue LED (B,C,D)	FC-F1608BK-470H5
D 1954	(A,49,11) Blue LED (B,C,D)	FC-F1608BK-470H5
D 1955	(A,51,30) Blue LED (B,C,D)	FC-F1608BK-470H5
D 1956	(A,66,7) Blue LED (B,C,D)	FC-F1608BK-470H5
D 1957	(A,73,7) Blue LED (B,C,D)	FC-F1608BK-470H5

R 1968	(B,17,31) (B,C,D)	RS1/10SR472J
R 1969	(B,21,11) (B,C,D)	RS1/10SR682J
R 1972	(B,21,13) (B,C,D)	RS1/10SR0R0J
R 1973	(B,18,17) (A)	RS1/10SR0R0J
R 1975	(B,13,19) (A)	RS1/10SR472J

D 1958	(A,89,6) Blue LED (B,C,D)	FC-F1608BK-470H5
D 1959	(A,100,6) Blue LED (B,C,D)	FC-F1608BK-470H5
D 1960	(A,111,6) Blue LED (B,C,D)	FC-F1608BK-470H5
D 1961	(A,122,6) Blue LED (B,C,D)	FC-F1608BK-470H5
D 1962	(A,133,6) Blue LED (B,C,D)	FC-F1608BK-470H5

R 1977	(B,48,13) (A)	RS1/8SQ102J
R 1980	(B,18,23) (A)	RS1/10SR392J
R 1981	(B,68,10) (A)	RS1/8SQ122J
R 1983	(B,51,13) (A)	RS1/8SQ821J
R 1985	(B,143,18) (A)	RS1/8SQ821J

D 1963	(A,144,6) Blue LED (B,C,D)	FC-F1608BK-470H5
D 1964	(A,14,32) Blue LED (B,C,D)	FC-F1608BK-470H5
D 1965	(A,10,11) Blue LED (B,C,D)	FC-F1608BK-470H5
D 1966	(A,12,21) Blue LED (B,C,D)	FC-F1608BK-470H5
D 1968	(A,9,21) LED(Red) (A)	SML-D12V8W(PQ)
D 1969	(A,48,11) LED(Red) (A)	SML-D12V8W(PQ)

R 1987	(B,55,21) (A)	RS1/4SA122J
R 1991	(B,51,8) (B,C,D)	RS1/10SR0R0J
R 1996	(B,59,9) (A)	RS1/10SR0R0J

**CAPACITORS**

C 1806	(B,67,23)	CKSRYB104K16
C 1807	(B,70,21)	CKSRYB105K10
C 1911	(B,147,21)	CKSRYB104K16
C 1912	(B,144,22)	CKSRYB104K16
C 1941	(B,136,29) 10 uF(B,C,D)	CCG1192

**Unit Number : QWM3750****Unit Name : BT Unit****MISCELLANEOUS**

D 1970	(A,50,30) LED(Red) (A)	SML-D12V8W(PQ)
D 1971	(A,12,32) LED(Red) (A)	SML-D12V8W(PQ)
D 1972	(A,11,11) LED(Red) (A)	SML-D12V8W(PQ)
D 1973	(A,73,5) LED(Red) (A)	SML-D12V8W(PQ)
D 1974	(A,66,5) LED(Red) (A)	SML-D12V8W(PQ)

IC 21	(A,8,48) Regulator IC	S-1172B18-E6
IC 22	(A,21,46) IC	S-1206B33-U3
CN21	(A,34,27) Connector	CKS6346
CN23	(A,42,44) Connector	CKS3857

D 1975	(A,112,6) LED(Red) (A)	SML-D12V8W(PQ)
D 1976	(A,102,6) LED(Red) (A)	SML-D12V8W(PQ)
D 1977	(A,91,6) LED(Red) (A)	SML-D12V8W(PQ)
D 1978	(A,145,6) LED(Red) (A)	SML-D12V8W(PQ)
D 1979	(A,134,6) LED(Red) (A)	SML-D12V8W(PQ)

**RESISTORS**

D 1980	(A,123,6) LED(Red) (A)	SML-D12V8W(PQ)
D 1981	(A,53,19) LED(Red) (A)	SML-D12V8W(PQ)
L 1921	(B,130,10) Inductor	CTF1389
L 1922	(B,129,13) Inductor	CTF1389
L 1923	(B,131,6) Inductor	CTF1389

R 28	(A,42,31)	RS1/10SR222J
R 29	(A,30,41)	RS1/10SR102J
R 30	(A,30,37)	RS1/10SR102J
R 38	(A,42,17)	RS1/10SR0R0J
R 39	(A,41,23)	RS1/10SR221J

X 1801	(B,70,24) Ceramic Resonator 5.00 MHz	CSS1547
S 1839	(A,31,19) Encoder(MULTI-CONTROL)	CSD1168
CN1911	(A,155,24) Connector	CKS6443
CN1931	(B,108,9) Connector	CKS6451
JA1921	(A,155,10) Jack	CKN1090

R 40	(A,40,23)	RS1/10SR221J
R 41	(A,38,23)	RS1/10SR221J

**RESISTORS**

R 1801	(B,89,13)	RS1/10SR473J
R 1802	(B,72,19)	RS1/10SR473J
R 1803	(B,75,23)	RS1/10SR222J
R 1805	(B,58,28)	RS1/10SR473J
R 1806	(B,60,29)	RS1/10SR473J

**CAPACITORS**

C 23	(A,24,40)	XCEVW221M4
C 24	(A,7,44)	CKSRYB105K10
C 26	(A,27,48) 10 uF	CCG1192
C 29	(A,17,45)	CKSRYB105K10
C 33	(A,9,54) 10 uF	CCG1192

R 1807	(B,60,30)	RS1/10SR473J
R 1808	(B,60,32)	RS1/10SR473J
R 1823	(B,49,27)	RS1/10SR273J
R 1931	(B,45,17)	RS1/10SR222J
R 1932	(B,45,13)	RS1/10SR222J

C 34	(A,42,30)	CKSRYB105K10
C 36	(A,32,40)	CKSRYB104K16
C 38	(A,15,46) 10 uF	CCG1192
C 39	(A,6,42) 10 uF	CCG1192

R 1941	(B,128,24) (A)	RS1/10SR473J
R 1944	(B,132,26) (B,C,D)	RS1/10SR101J
R 1951	(B,59,20)	RS1/4SA221J