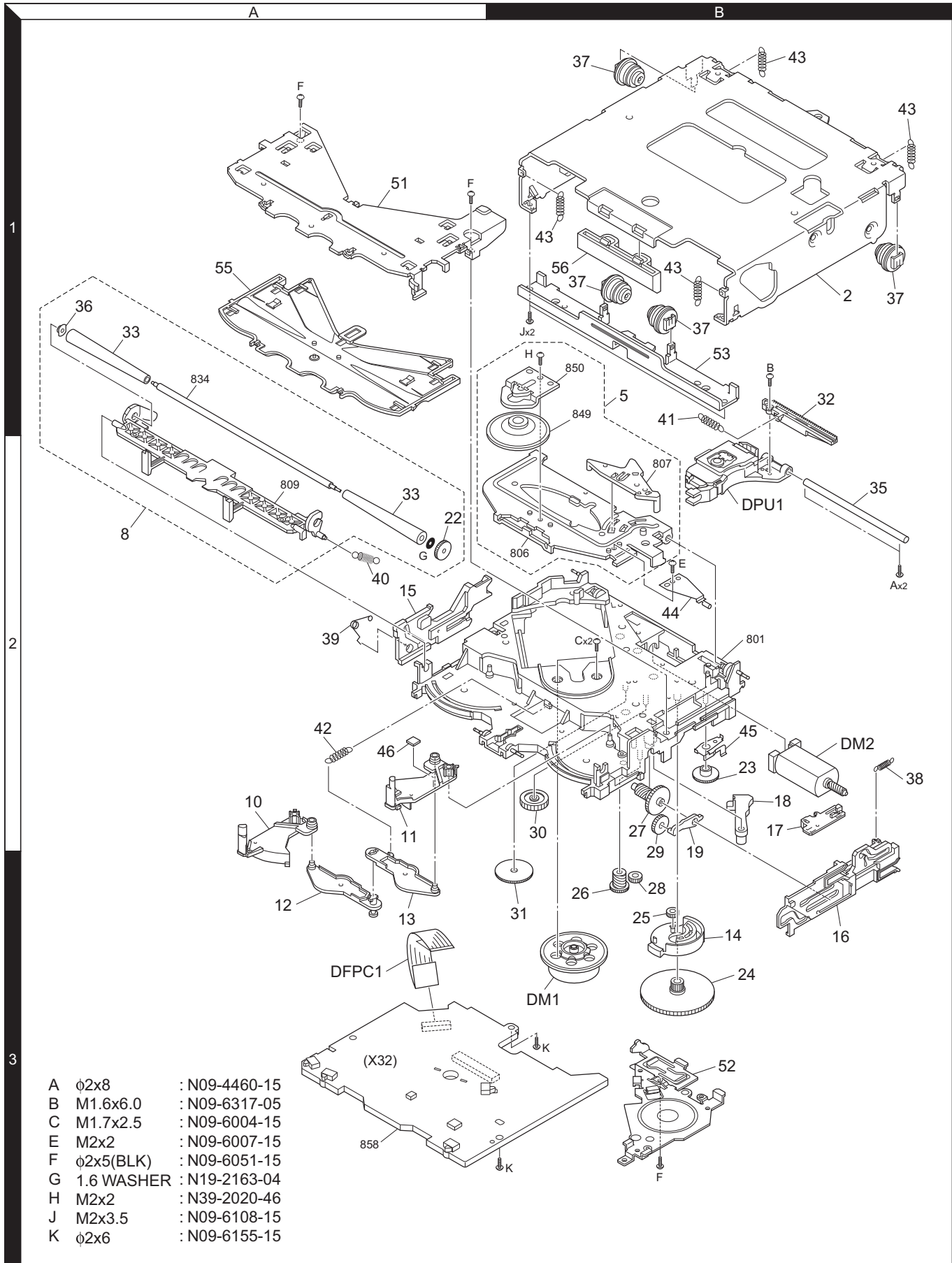
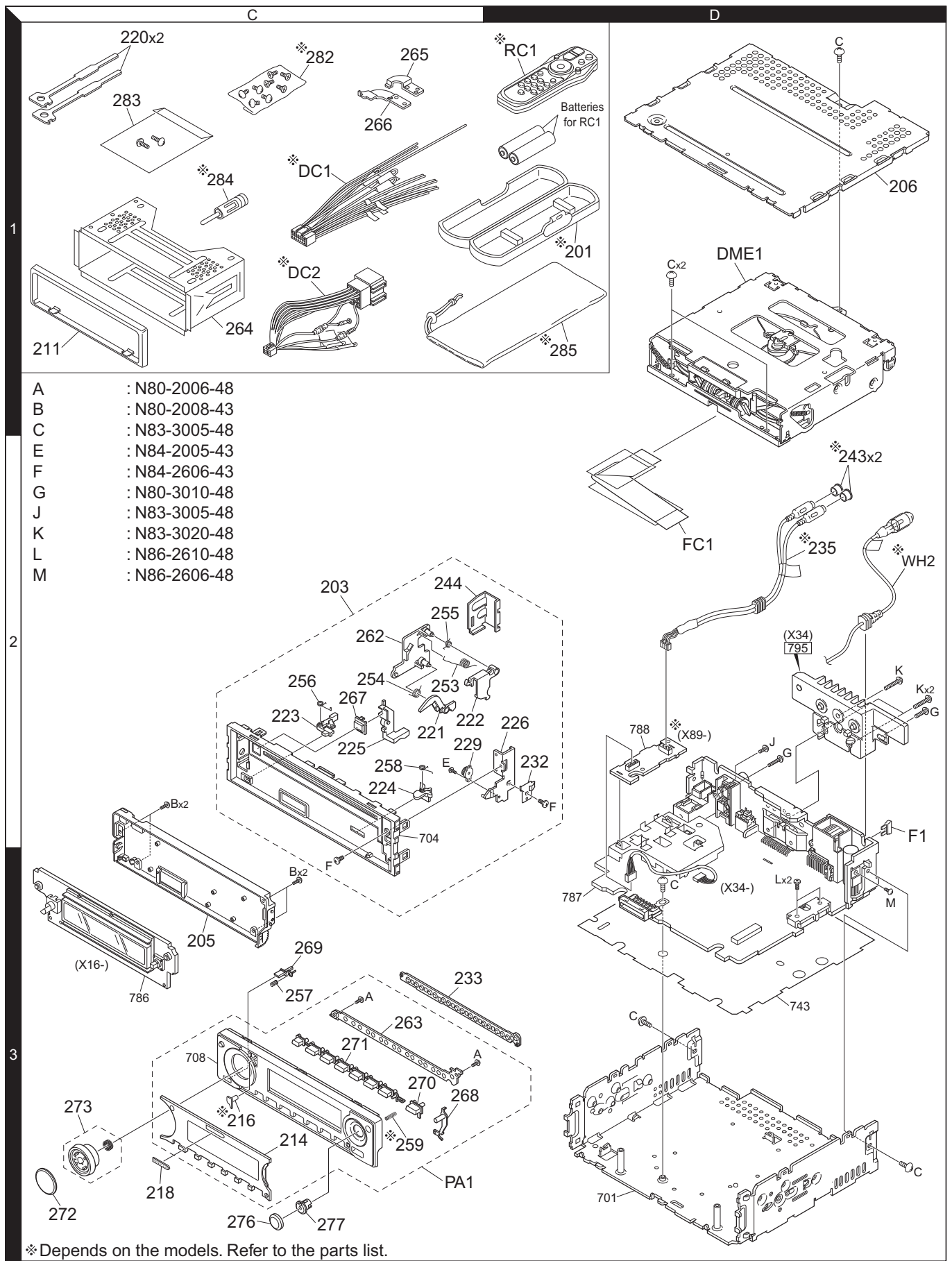


# EXPLODED VIEW (CD MECHANISM)



# EXPLODED VIEW (UNIT)



Parts with the exploded numbers larger than 700 are not supplied.

# PARTS LIST

\* New parts

Parts without **Parts No.** are not supplied.

Les articles non mentionnés dans le **Parts No.** ne sont pas fournis.

Teile ohne **Parts No.** werden nicht geliefert.

Ref. No.	A d d	N e w	Parts No.	Description	Desti- nation
<b>KDC-MP332/MP5033/W534/W534Y</b>					
201	1D		A02-2743-03	PLASTIC CABINET ASSY	M2
203	2C		A22-3059-12	SUB PANEL ASSY	
205	3C	*	A46-1833-01	REAR COVER	
206	1D		A52-0804-12	TOP PLATE	
PA1	3C	*	A64-3755-01	PANEL ASSY	K1
PA1	3C	*	A64-3756-01	PANEL ASSY	M2
PA1	3C	*	A64-3758-01	PANEL ASSY	E1
PA1	3C	*	A64-3767-01	PANEL ASSY	E2
RC1	1D		A70-2069-15	REMOTE CONTROLLER ASSY (RC-517)	K1M2
-			B46-0612-14	ID CARD	M2
-			B46-0681-04	ID CARD	K1E1E2
-			B46-0682-00	WARRANTY CARD	K1M2E1
-			B58-1426-04	CAUTION CARD	K1
-		*	B64-3263-00	INST. MANUAL (ENG,FRE,SPA)	K1
-		*	B64-3264-00	INST. MANUAL (ENG,T-CHI)	M2
-		*	B64-3265-00	INST. MANUAL (ARABIC)	M2
-		*	B64-3266-00	INST. MANUAL (ENGLISH)	E1E2
-		*	B64-3267-00	INST. MANUAL (FRE,GER,DUT)	E1
-		*	B64-3268-00	INST. MANUAL (ITA,SPA,POR)	E1
-		*	B64-3269-00	INST. MANUAL (RUSSIAN)	E2
211	1C		B07-3122-01	ESCUTCHEON	E1E2
211	1C		B07-3125-01	ESCUTCHEON	M2
211	1C		B07-3126-01	ESCUTCHEON	K1
214	3C	*	B10-4758-02	FRONT GLASS	K1
214	3C	*	B10-4759-02	FRONT GLASS	M2
214	3C	*	B10-4761-02	FRONT GLASS	E1
214	3C	*	B10-4770-02	FRONT GLASS	E2
216	3C	*	B19-2364-04	LIGHTING BOARD (REMOTE)	K1M2
218	3C		B43-1518-04	BADGE	
220	1C		D10-4589-04	LEVER	
221	2C		D10-4865-03	LEVER (PUSH)	
222	2C		D10-4866-03	LEVER (HOOK)	
223	2C		D10-4867-04	LEVER (LOCK)	
224	2C		D10-4868-04	LEVER (DETECT)	
225	2C		D10-4869-03	LEVER (EJECT)	
226	2D		D10-4870-04	ARM ASSY	
229	2C		D39-0255-05	DAMPER	
232	2D		E29-2028-04	LEAD PLATE	
233	3C	*	E29-2067-03	CONDUCTIVE RUBBER	
235	2D		E30-6499-05	CORD WITH PINPLUG	K1M2
△ DC1	1C		E30-6415-15	DC CORD	K1M2
△ DC2	1C		E30-6427-05	DC CORD	E1E2
FC1	2D		E39-0718-05	FLAT CABLE	
WH2	2D		E30-6403-05	WIRING HARNESS	E1
243	2D		F29-0626-04	INSULATING COVER	K1M2
244	2C		F31-0716-04	REINFORCING HARDWARE	
△ F1	2D		F52-0023-05	FUSE (MINI BLADE TYPE) (10A)	
253	2C		G01-3246-04	TORSION COIL SPRING	
254	2C		G01-3247-04	TORSION COIL SPRING	
255	2C		G01-3248-04	TORSION COIL SPRING	
256	2C		G01-3249-04	TORSION COIL SPRING	
257	3C	*	G01-4611-04	COMPRESSION SPRING	

Ref. No.	A d d	N e w	Parts No.	Description	Desti- nation
258	2C		G01-3270-04	TORSION COIL SPRING	
259	3C	*	G01-3291-04	COMPRESSION SPRING	K1M2
-			H10-4919-12	POLYSTYRENE FOAMED FIXTURE	
-			H25-0329-04	PROTECTION BAG (280X450X0.03)	K1M2E2
-			H25-0337-04	PROTECTION BAG (180X300X0.03)	E1E2
-			H25-1111-04	PROTECTION BAG (280X450X0.03)	E1
-		*	H25-1236-14	PROTECTION BAG (0.03X180X500)	K1M2
-		*	H54-3626-03	ITEM CARTON CASE (KDC-MP332)	K1
-		*	H54-3627-03	ITEM CARTON CASE (KDC-MP5033)	M2
-		*	H54-3630-03	ITEM CARTON CASE (KDC-W534)	E1
-		*	H54-3631-03	ITEM CARTON CASE (KDC-W534Y)	E2
262	2C		J19-7049-03	HOLDER	
263	3C	*	J19-7112-02	HOLDER	
264	1C		J22-0011-03	MOUNTING HARDWARE ASSY	
265	1C		J22-0258-04	MOUNTING HARDWARE (L)	
266	1C		J22-0259-04	MOUNTING HARDWARE (R)	
267	2C		K24-4282-04	PUSH KNOB (EJECT)	
268	3C	*	K24-4460-03	PUSH KNOB (AME)	M2E1E2
268	3C	*	K24-4461-03	PUSH KNOB (AME)	K1
269	3C	*	K24-4464-03	PUSH KNOB (RELEASE)	
270	3C	*	K24-4462-03	PUSH KNOB (SRC)	K1M2
270	3C	*	K24-4463-03	PUSH KNOB (SRC)	E1E2
271	3C	*	K25-1784-02	PUSH KNOB (PRESET)	
272	3C	*	K28-0103-03	KEY TOP (VOL)	K1M2
272	3C	*	K28-0116-03	KEY TOP (VOL)	E1E2
273	3C	*	K29-7200-03	KNOB ASSY (VOL)	
276	3C	*	K28-0106-03	KEY TOP (FM/AM)	K1M2
276	3C	*	K28-0114-03	KEY TOP (FM/AM)	E1E2
277	3C	*	K28-0122-03	KNOB BASE (FM/AM)	
282	1C		N99-1757-05	SCREW SET	K1M2
283	1C	*	N99-1780-05	SCREW SET	
A	3C		N80-2006-48	PAN HEAD TAPTITE SCREW	
B	2C		N80-2008-43	PAN HEAD TAPTITE SCREW	
C	1D		N83-3005-48	PAN HEAD TAPTITE SCREW	
E	2C		N84-2005-43	PAN HEAD TAPTITE SCREW	
F	2D		N84-2606-43	PAN HEAD TAPTITE SCREW	
L	3D		N86-2610-48	BINDING HEAD TAPTITE SCREW	
284	1C		T90-0523-05	ANTENNA ADAPTOR	E1E2
285	1D		W01-1661-05	CARRYING CASE	K1E1E2
DME1	1D	*	X92-5470-00	MECHANISM ASSY (DXM-6680W)	K1M2
DME1	1D	*	X92-5670-00	MECHANISM ASSY (DXM-6680WE)	E1E2
<b>SWITCH UNIT (X16-349x-xx)</b>					
D1-3			B30-1567-05	LED (1608,RED)	K1E1E2
D4-6			B30-1533-05	LED (1608,PG)	M2E1E2
D7-9			B30-1567-05	LED (1608,RED)	K1E1E2
D10-12			B30-1533-05	LED (1608,PG)	M2E1E2
D13-15			B30-1567-05	LED (1608,RED)	K1E1E2
D16-18			B30-1533-05	LED (1608,PG)	M2E1E2
D19			B30-1567-05	LED (1608,RED)	
D20-23			B30-1729-05	LED (1608,BLUE)	
D25			B30-1567-05	LED (1608,RED)	K1E1E2
D26			B30-1533-05	LED (1608,PG)	M2E1E2

K1 : KDC-MP332 M2 : KDC-MP5033 E1 : KDC-W534 E2 : KDC-W534Y  
(E : Europe K : North America M : Other Areas W : Without Europe)

△ Indicates safety critical components.

# PARTS LIST

## SWITCH UNIT (X16-349x-xx)

Ref. No.	Add	New	Parts No.	Description	Destination	
C8			CK73FB1A225K	CHIP C 2.2UF K	K1M2	
C10			CK73GB1H104K	CHIP C 0.10UF K		
C13-16			CK73GB1H103K	CHIP C 0.010UF K		
C19,20			CK73GB1H103K	CHIP C 0.010UF K		
C28			CC73GCH1H102J	CHIP C 1000PF J		
C29			CC73GCH1H471J	CHIP C 470PF J		K1M2
C31			CK73GB1H104K	CHIP C 0.10UF K		
C32			CK73GB1H103K	CHIP C 0.010UF K		
J1			E59-0851-05	RECTANGULAR PLUG		
CP10,11			RK74HB1J101J	CHIP-COM 100 J 1/16W	K1M2 K1M2	
CP12,13			RK74GA1J102J	CHIP-COM 1.0K J 1/16W		
CP14			RK74HB1J473J	CHIP-COM 47K J 1/16W		
CP15			RK74HB1J222J	CHIP-COM 2.2K J 1/16W		
R1			RK73EB2E472J	CHIP R 4.7K J 1/4W		
R2			RK73EB2E102J	CHIP R 1.0K J 1/4W		
R3-8			RK73EB2E101J	CHIP R 100 J 1/4W		
R9			RK73EB2E472J	CHIP R 4.7K J 1/4W		
R10			RK73GB2A104J	CHIP R 100K J 1/10W		
R11			RK73GB2A4R7J	CHIP R 4.7 J 1/10W		
R13			RK73GB2A101J	CHIP R 100 J 1/10W		
R15			RK73GB2A101J	CHIP R 100 J 1/10W		
R20			RK73GB2A101J	CHIP R 100 J 1/10W		
R21			RK73GB2A104J	CHIP R 100K J 1/10W		
R23			RK73GB2A473J	CHIP R 47K J 1/10W		
R26			RK73GB2A473J	CHIP R 47K J 1/10W	E1E2 E1E2 E1E2	
R29			RK73GB2A473J	CHIP R 47K J 1/10W		
R51			RK73FB2B471J	CHIP R 470 J 1/8W		
R52-54			RK73EB2E681J	CHIP R 680 J 1/4W		
R55,56			RK73EB2E301J	CHIP R 300 J 1/4W		
R58			RK73GB2A222J	CHIP R 2.2K J 1/10W		
R59,60			RK73EB2E821J	CHIP R 820 J 1/4W		
R63			RK73GB2A222J	CHIP R 2.2K J 1/10W		
R66,67			RK73GB2A472J	CHIP R 4.7K J 1/10W		
R73			RK73PB2H330J	CHIP R 33 J 1/2W		
R74,75			RK73PB2H220J	CHIP R 22 J 1/2W		E1E2
R80			RK73GB2A222J	CHIP R 2.2K J 1/10W		
R81			RK73GB2A223J	CHIP R 22K J 1/10W		
R111			RK73GB2A104J	CHIP R 100K J 1/10W		
R112			RK73GB2A104J	CHIP R 100K J 1/10W		
W4			R92-1252-05	CHIP R 0 OHM J 1/16W	M2 K1	
W6			R92-1252-05	CHIP R 0 OHM J 1/16W		
W7			R92-1252-05	CHIP R 0 OHM J 1/16W		
W8			R92-1252-05	CHIP R 0 OHM J 1/16W		
W10			R92-2053-05	CHIP R 0 OHM J 1/8W		
S2			S70-0106-05	TACT SWITCH	K1M2	
S10	*		S70-0939-05	TACT SWITCH		
S27	*		S70-0939-05	TACT SWITCH		
S1			T99-0457-15	ROTARY ENCODER		
D102			UDZS5.6B	ZENER DIODE	K1M2	
D110			DA204U	DIODE		
ED1	*		3-BT-235INK	FLUORESCENT INDICATOR TUBE	K1M2	
IC2	*		PNA4S22M02KW	ANALOGUE IC		
Q4			DTA114EE	DIGITAL TRANSISTOR		

Ref. No.	Add	New	Parts No.	Description	Destination
Q5			KTC4075EP(Y,GR)	TRANSISTOR	E1E2
Q10			KTC4075EP(Y,GR)	TRANSISTOR	
Q12-14			KTA2014EP(Y,GR)	TRANSISTOR	
Q15			KTC4075EP(Y,GR)	TRANSISTOR	
Q20			DTC144EE	DIGITAL TRANSISTOR	
<b>CD PLAYER UNIT (X32-5860-0x)</b>					
C1,2			CK73GB1A105K	CHIP C 1.0UF K	K1M2 K1M2
C3,4			CC73GCH1H681J	CHIP C 680PF J	
C5,6			CC73GCH1H680J	CHIP C 68PF J	
C7,8			CK73GB1H222K	CHIP C 2200PF K	
C9			CK73GB1H104K	CHIP C 0.10UF K	
C10			CK73FB0J106K	CHIP C 10UF K	
C11			CK73GB1H103K	CHIP C 0.010UF K	
C12			CK73GB1A105K	CHIP C 1.0UF K	
C20			CC73GCH1H391J	CHIP C 390PF J	
C21			CK73GB1H472K	CHIP C 4700PF K	
C22			CK73GB1H152K	CHIP C 1500PF K	
C23			CC73GCH1H391J	CHIP C 390PF J	
C24			CK73EB1A475K	CHIP C 4.7UF K	
C25			CK73FB0J106K	CHIP C 10UF K	
C30			CK73GB1H104K	CHIP C 0.10UF K	
C31			CK73GB1A105K	CHIP C 1.0UF K	K1M2 K1M2
C32			CK73GB1H104K	CHIP C 0.10UF K	
C34			CK73FB0J475K	CHIP C 4.7UF K	
C35			CK73GB1H104K	CHIP C 0.10UF K	
C38-40			CK73GB1H104K	CHIP C 0.10UF K	
C41			CK73GB0J225K	CHIP C 2.2UF K	
C42			CK73GB1A105K	CHIP C 1.0UF K	
C43			C92-1792-05	ELECTRO 22UF 6.3WV	
C46			CK73GB1H104K	CHIP C 0.10UF K	
C50			CK73GB1H104K	CHIP C 0.10UF K	
C51			CK73GB1H102K	CHIP C 1000PF K	
C52			CK73GB0J225K	CHIP C 2.2UF K	
C53,54			CK73GB0J475K	CHIP C 4.7UF K	
C55			CK73FB0J106K	CHIP C 10UF K	
C56,57			CK73GB1H104K	CHIP C 0.10UF K	
C58			CK73FB0J475K	CHIP C 4.7UF K	E1E2
C60			CK73GB0J225K	CHIP C 2.2UF K	
C61			CK73GB1H104K	CHIP C 0.10UF K	
C62			CK73FB0J475K	CHIP C 4.7UF K	
C63			CK73GB0J225K	CHIP C 2.2UF K	
C64			CK73GB1H152K	CHIP C 1500PF K	
C65,66			CK73GB1H102K	CHIP C 1000PF K	
C67			CK73GB1H152K	CHIP C 1500PF K	
C68			CK73GB1H103K	CHIP C 0.010UF K	
C69			CK73GB1H332K	CHIP C 3300PF K	
C70			CK73GB1H682K	CHIP C 6800PF K	
C71			CK73GB1H104K	CHIP C 0.10UF K	
C72			CK73GB1H103K	CHIP C 0.010UF K	
C73			CC73GCH1H120J	CHIP C 12PF J	
C74			CC73GCH1H060D	CHIP C 6.0PF D	
C75			CK73GB1H104K	CHIP C 0.10UF K	K1M2
C76			CC73GCH1H030C	CHIP C 3.0PF C	
C77			CC73GCH1H020C	CHIP C 2.0PF C	
C78			CK73GB0J225K	CHIP C 2.2UF K	

K1 : KDC-MP332 M2 : KDC-MP5033 E1 : KDC-W534 E2 : KDC-W534Y  
(E : Europe K : North America M : Other Areas W : Without Europe)

△ Indicates safety critical components.

# PARTS LIST

## CD PLAYER UNIT (X32-5860-0x)

Ref. No.	A d d	N e w	Parts No.	Description	Desti- nation
C79,80			CK73GB1H104K	CHIP C 0.10UF K	
C81,82			CC73GCH1H470J	CHIP C 47PF J	
C83			CK73GB1H103K	CHIP C 0.010UF K	
C85			CK73FB0J106K	CHIP C 10UF K	
C96			CK73GB0J475K	CHIP C 4.7UF K	
C100			CK73GB1C224K	CHIP C 0.22UF K	
C101			CK73GB1H103K	CHIP C 0.010UF K	
CN1			E41-2083-15	FLAT CABLE CONNECTOR	K1M2 E1E2
CN2			E41-2297-05	FLAT CABLE CONNECTOR	
CN2	*		E41-2612-05	FLAT CABLE CONNECTOR	
X1			L78-0862-05	RESONATOR (16.00MHZ)	
X2			L78-0851-05	RESONATOR (16.93MHZ)	
CP1			RK74GA1J101J	CHIP-COM 100 J 1/16W	
CP2			RK74GA1J472J	CHIP-COM 4.7K J 1/16W	
CP4,5			RK74GA1J101J	CHIP-COM 100 J 1/16W	
CP6,7			RK74HB1J103J	CHIP-COM 10K J 1/16W	
CP8-11			RK74HB1J101J	CHIP-COM 100 J 1/16W	
CP12			RK74GA1J101J	CHIP-COM 100 J 1/16W	
CP13			RK74GA1J103J	CHIP-COM 10K J 1/16W	
CP14			RK74GA1J101J	CHIP-COM 100 J 1/16W	
CP27			RK74GB1J472J	CHIP-COM 4.7K J 1/16W	
CP28			RK74GB1J103J	CHIP-COM 10K J 1/16W	
R1,2			RK73GH2A103D	CHIP R 10K D 1/10W	
R3,4			RK73GB2A272J	CHIP R 2.7K J 1/10W	
R5,6			RK73GB2A752J	CHIP R 7.5K J 1/10W	
R7,8			RK73GB2A333J	CHIP R 33K J 1/10W	
R9,10			RK73GH2A103D	CHIP R 10K D 1/10W	
R11,12			RK73GB2A331J	CHIP R 330 J 1/10W	
R14-16			RK73GB2A2R2J	CHIP R 2.2 J 1/10W	
R20			RK73GB2A123J	CHIP R 12K J 1/10W	
R21			RK73GB2A133J	CHIP R 13K J 1/10W	
R22,23			RK73GB2A123J	CHIP R 12K J 1/10W	
R24			RK73GB2A432J	CHIP R 4.3K J 1/10W	
R25			RK73GB2A472J	CHIP R 4.7K J 1/10W	
R26			RK73GB2A183J	CHIP R 18K J 1/10W	
R27			RK73GB2A163J	CHIP R 16K J 1/10W	
R28			RK73GB2A133J	CHIP R 13K J 1/10W	
R29			RK73GB2A102J	CHIP R 1.0K J 1/10W	
R30			RK73GB2A101J	CHIP R 100 J 1/10W	
R31			RK73GB2A133J	CHIP R 13K J 1/10W	
R40-44			RK73GB2A103J	CHIP R 10K J 1/10W	
R48			RK73GB2A472J	CHIP R 4.7K J 1/10W	
R50-52			RK73GB2A103J	CHIP R 10K J 1/10W	
R55			RK73GB2A103J	CHIP R 10K J 1/10W	
R56			RK73GB2A101J	CHIP R 100 J 1/10W	
R57			RK73GB2A472J	CHIP R 4.7K J 1/10W	
R70			RK73GB2A102J	CHIP R 1.0K J 1/10W	
R71			RK73GB2A101J	CHIP R 100 J 1/10W	
R72			RK73GB2A333J	CHIP R 33K J 1/10W	
R74			RK73GB2A333J	CHIP R 33K J 1/10W	
R75			RK73GB2A750J	CHIP R 75 J 1/10W	
R78			RK73GB2A103J	CHIP R 10K J 1/10W	
R79			RK73GB2A333J	CHIP R 33K J 1/10W	

Ref. No.	A d d	N e w	Parts No.	Description	Desti- nation
R80,81			RK73GB2A682J	CHIP R 6.8K J 1/10W	
R88			RK73GB2A472J	CHIP R 4.7K J 1/10W	
R89			RK73GB2A104J	CHIP R 100K J 1/10W	
R90			RK73GB2A4R7J	CHIP R 4.7 J 1/10W	
R91			RK73GB2A910J	CHIP R 91 J 1/10W	
R92			RK73GB2A225J	CHIP R 2.2M J 1/10W	
R93			RK73GB2A103J	CHIP R 10K J 1/10W	
R100			RK73GB2A470J	CHIP R 47 J 1/10W	
R101			RK73GB2A102J	CHIP R 1.0K J 1/10W	
R102			RK73GB2A272J	CHIP R 2.7K J 1/10W	
R103,104			RK73GB2A223J	CHIP R 22K J 1/10W	
R112,113			RK73GB2A100J	CHIP R 10 J 1/10W	
R150			RK73GB2A103J	CHIP R 10K J 1/10W	
R151			RK73GB2A2R2J	CHIP R 2.2 J 1/10W	
R152			RK73EB2E3R3J	CHIP R 3.3 J 1/4W	
W1			R92-1252-05	CHIP R 0 OHM J 1/16W	
W20,21			R92-1252-05	CHIP R 0 OHM J 1/16W	
S1,2			S68-0863-05	PUSH SWITCH	
S3			S68-0862-05	PUSH SWITCH	
D1			DAP202U	DIODE	
IC1			TAR5S33-F	ANALOGUE IC	
IC2			NJM4580V-ZB	ANALOGUE IC	
IC3			BA5824FP	ANALOGUE IC	
IC4	*		703030BYGCJ21A	MICROCONTROLLER IC	
IC5			XC6219B332MR	ANALOGUE IC	
IC6			BA33BCOWFP	ANALOGUE IC	
IC7	*		UPD63763CGJ	MOS-IC	
IC9			BR24L02FV-W	ROM IC	
IC11			TC7SET32FU-F	MOS-IC	
Q1			2SA1576A	TRANSISTOR	
Q4			2SB0970	TRANSISTOR	
Q5			DTA143XUA	DIGITAL TRANSISTOR	
Q6			DTC143XUA	DIGITAL TRANSISTOR	
Q7			DTA143XUA	DIGITAL TRANSISTOR	
Q8			DTC143XUA	DIGITAL TRANSISTOR	
<b>ELECTRIC UNIT (X34-417x-xx)</b>					
D166			B30-1710-05	LED (RED)	
C1,2			CD04AT1HR47M	ELECTRO 0.47UF 50WV	K1M2
C3-6			C90-6735-05	NP-ELECT 0.22UF 50WV	
C51			C90-5683-05	ELECTRO 3300UF 16WV	
C52			CK73GB1H102K	CHIP C 1000PF K	
C55			CK73GB1H103K	CHIP C 0.010UF K	
C69			CK73GB1A474K	CHIP C 0.47UF K	
C71			CD04AS1C470M	ELECTRO 47UF 16WV	
C72			CD04AS1V100M	ELECTRO 10UF 35WV	
C73			CD04AS1V100M	ELECTRO 10UF 35WV	
C74,75			CD04AS1V100M	ELECTRO 10UF 35WV	
C76			CD04BH1A100M	ELECTRO 10UF 10WV	
C77			CD04AT1H100M	ELECTRO 10UF 50WV	
C78			CD04BF1C221M	ELECTRO 220UF 16WV	
C79			CD04AS1V100M	ELECTRO 10UF 35WV	
C80			CD04BF1C221M	ELECTRO 220UF 16WV	

# PARTS LIST

## ELECTRIC UNIT (X34-417x-xx)

Ref. No.	Add	New	Parts No.	Description	Destination	Ref. No.	Add	New	Parts No.	Description	Destination
C81			CK73GB1H103K	CHIP C 0.010UF K		C547			CD04AT1C220M	ELECTRO 22UF 16WV	
C91,92			CD04BF1E101M	ELECTRO 100UF 25WV		C548			CK73GB1H223K	CHIP C 0.022UF K	
C93			CD04BF1C221M	ELECTRO 220UF 16WV		C549			CK73GB1H222K	CHIP C 2200PF K	
C95			CK73GB1C224K	CHIP C 0.22UF K		C550			CK73GB1H333K	CHIP C 0.033UF K	
C96			CD04AS1HR47M	ELECTRO 0.47UF 50WV		C551			CK73GB1H103K	CHIP C 0.010UF K	
C97			CD04BF1C220M	ELECTRO 22UF 16WV		C552			CK73GB1H222K	CHIP C 2200PF K	
C112,113			CC73GCH1H100D	CHIP C 10PF D	E1	C553			CK73GB1H104K	CHIP C 0.10UF K	
C116			CC73GCH1H331J	CHIP C 330PF J	E1	C554			CK73GB1A334K	CHIP C 0.33UF K	
C117			CD04AS1V100M	ELECTRO 10UF 35WV	E1	C556			CK73GB1H103K	CHIP C 0.010UF K	
C118			CK73GB1H103K	CHIP C 0.010UF K	E1	C559			CK73GB1H332K	CHIP C 3300PF K	
C119			CD04AS1V100M	ELECTRO 10UF 35WV	E1	C561			CK73GB1H104K	CHIP C 0.10UF K	
C151			CK73GB1H103K	CHIP C 0.010UF K		C562			CD04AT1C100M	ELECTRO 10UF 16WV	
C153			CK73GB1A105K	CHIP C 1.0UF K		C563			CD04AT1HR47M	ELECTRO 0.47UF 50WV	
C201			CK73GB1H103K	CHIP C 0.010UF K		C564			CK73GB1A474K	CHIP C 0.47UF K	
C255			CD04AS1A330M	ELECTRO 33UF 10WV	K1M2	C565			CK73FB1C105K	CHIP C 1.0UF K	
C255			CD04AS1V100M	ELECTRO 10UF 35WV	E1E2	C568			CC73GCH1H271J	CHIP C 270PF J	
C256			CD04AS1H010M	ELECTRO 1UF 50WV		C579			CK73GB1H103K	CHIP C 0.010UF K	
C257			C90-5663-05	ELECTRO 1UF 50WV		C580			CC73GCH1H470J	CHIP C 47PF J	
C258			CD04AS1H010M	ELECTRO 1UF 50WV		C581			CC73GCH1H101J	CHIP C 100PF J	
C301,302			CK73FB1E474K	CHIP C 0.47UF K	K1M2	C582			CK73GB1H223K	CHIP C 0.022UF K	
C303			CD04AT1C470M	ELECTRO 47UF 16WV	K1M2	C583			CK73GB1H683K	CHIP C 0.068UF K	
C331,332			CD04AT1C100M	ELECTRO 10UF 16WV		C584-586			CK73GB1A105K	CHIP C 1.0UF K	
C333,334			CC73GCH1H681J	CHIP C 680PF J	E1E2	C587			CK73GB1H104K	CHIP C 0.10UF K	
C407			CC73GCH1H220J	CHIP C 22PF J		C588			CK73GB1A474K	CHIP C 0.47UF K	
C408			CC73GCH1H180J	CHIP C 18PF J		C589			CK73GB1H104K	CHIP C 0.10UF K	
C409			CD04AS0J470M	ELECTRO 47UF 6.3WV		C590			CK73GB1H392K	CHIP C 3900PF K	
C410			CK73GB1H103K	CHIP C 0.010UF K		C600			CD04AT1A101M	ELECTRO 100UF 10WV	
C411			CK73GB1C224K	CHIP C 0.22UF K		C601			CK73GB1H223K	CHIP C 0.022UF K	
C420			CC73GCH1H102J	CHIP C 1000PF J		C602			CC73GCH1H151J	CHIP C 150PF J	
C422			CC73GCH1H101J	CHIP C 100PF J		C603			CC73GCH1H030C	CHIP C 3.0PF C	
C502			CK73GB1H152K	CHIP C 1500PF K		C604			CC73GCH1H470J	CHIP C 47PF J	
C503			CK73GB1H104K	CHIP C 0.10UF K		C605,606			CC73GCH1H010C	CHIP C 1.0PF C	
C504			CK73GB1H103K	CHIP C 0.010UF K		C610			CC73GCH1H010C	CHIP C 1.0PF C	
C505			CD04AT1V4R7M	ELECTRO 4.7UF 35WV		C620			CK73GB1A105K	CHIP C 1.0UF K	
C506			CK73GB1A684K	CHIP C 0.68UF K		C623,624			CK73GB1H103K	CHIP C 0.010UF K	
C507,508			CD04AT1C220M	ELECTRO 22UF 16WV		C625-627			CC73GCH1H101J	CHIP C 100PF J	
C509			CC73GCH1H680J	CHIP C 68PF J		C628			CK73GB1A105K	CHIP C 1.0UF K	
C510			CC73GCH1H101J	CHIP C 100PF J		C632			CK73GB1H102K	CHIP C 1000PF K	
C511			CK73GB1H103K	CHIP C 0.010UF K		CN2			E41-2244-05	FLAT CABLE CONNECTOR	
C512			CD04AT1C100M	ELECTRO 10UF 16WV		△ J1			E58-0991-05	RECTANGULAR RECEPTACLE	
C513,514			CK73GB1H103K	CHIP C 0.010UF K		J2			E56-0855-05	CYLINDRICAL RECEPTACLE	K1M2
C515			CD04AT1H010M	ELECTRO 1UF 50WV		J4	*		E04-0332-05	RF COAXIAL CABLE RECEPTACLE	
C516			CC73GCH1H100D	CHIP C 10PF D		J5			E58-0992-05	RECTANGULAR RECEPTACLE	
C517,518			CK73GB1A105K	CHIP C 1.0UF K		J6			E63-0898-05	PIN JACK	
C519,520			CK73GB1A474K	CHIP C 0.47UF K		WH1			E39-0717-05	WIRING HARNESS	K1M2
C521,522			CC73GCH1H102J	CHIP C 1000PF J		CF51-53			L72-0805-05	CERAMIC FILTER	
C524			CC73GCH1H180J	CHIP C 18PF J		CF54			L72-0804-05	CERAMIC FILTER	
C525			CC73GCH1H150J	CHIP C 15PF J		L4			L33-2260-05	CHOKE COIL	
C527			CC73GCH1H102J	CHIP C 1000PF J		L51			L33-1988-05	CHOKE COIL ASSY	
C531			CK73GB1A105K	CHIP C 1.0UF K		L61			L40-4795-91	SMALL FIXED INDUCTOR (4.7UH,J)	
C541			CC73GCH1H271J	CHIP C 270PF J		L62			L33-1925-05	CHOKE COIL	
C542			CC73GCH1H050C	CHIP C 5.0PF C		L101			L40-4795-91	SMALL FIXED INDUCTOR (4.7UH,J)	E1
C543			CC73GCH1H080D	CHIP C 8.0PF D		L301			L92-0337-05	CHIP FERRITE	K1M2
C544			CC73GCH1H150J	CHIP C 15PF J		L501			L40-6891-58	SMALL FIXED INDUCTOR (6.8UH)	
C545			CK73GB1H682K	CHIP C 6800PF K							

K1 : KDC-MP332 M2 : KDC-MP5033 E1 : KDC-W534 E2 : KDC-W534Y  
(E : Europe K : North America M : Other Areas W : Without Europe)

△ Indicates safety critical components.

# PARTS LIST

## ELECTRIC UNIT (X34-417x-xx)

Ref. No.	A d d	N e w	Parts No.	Description	Desti- nation
L502			L40-3301-58	SMALL FIXED INDUCTOR (33UH)	
L503			L40-1021-56	SMALL FIXED INDUCTOR (1MH)	
L504			L40-1011-58	SMALL FIXED INDUCTOR (100UH)	
L505			L40-3381-58	SMALL FIXED INDUCTOR (0.33UH)	
L506			L31-0977-15	FM-RF COIL (RF)	
L507			L32-0941-15	FM OSCILLATING COIL (VCO)	
L508			L30-0776-15	FM IFT	
L509			L30-0777-15	AM IFT	
L518			L31-0976-15	FM-RF COIL (ANT)	
L520			L40-3381-58	SMALL FIXED INDUCTOR (0.33UH)	
L521			L40-1073-72	SMALL FIXED INDUCTOR (10NH)	
L600			L92-0607-05	CHIP FERRITE	
L601,602			L92-0397-05	CHIP FERRITE	
L604,605			L92-0609-05	CHIP FERRITE	
X1			L78-0879-05	RESONATOR (10.0MHZ)	
X2			L77-2793-05	CRYSTAL RESONATOR (32.768KHZ)	
X3			L77-2002-05	CRYSTAL RESONATOR (4.332MHZ)	E1
X501			L77-2077-05	CRYSTAL RESONATOR (10.25MHZ)	
G	2D		N80-3010-48	PAN HEAD TAPTITE SCREW	
J	2D		N83-3005-48	PAN HEAD TAPTITE SCREW	
K	2D		N83-3020-48	PAN HEAD TAPTITE SCREW	
M	3D		N86-2606-48	BINDING HEAD TAPTITE SCREW	
R1,2			RK73GB2A101J	CHIP R 100 J 1/10W	
R21			RD14BB2C102J	RD 1.0K J 1/6W	
R51			RK73FB2B683J	CHIP R 68K J 1/8W	
R52			RK73GB2A393J	CHIP R 39K J 1/10W	
R53			RK73GB2A104J	CHIP R 100K J 1/10W	
R54			RK73FB2B203J	CHIP R 20K J 1/8W	
R55,56			RK73GB2A103J	CHIP R 10K J 1/10W	
R57			RK73GB2A223J	CHIP R 22K J 1/10W	
R58			RD14DB2H332J	SMALL-RD 3.3K J 1/2W	
R59			RD14BB2C333J	RD 33K J 1/6W	
R60			RK73GB2A103J	CHIP R 10K J 1/10W	
R61			RK73GB2A223J	CHIP R 22K J 1/10W	
R62			RK73GB2A473J	CHIP R 47K J 1/10W	
R63			RK73GB2A562J	CHIP R 5.6K J 1/10W	
R72,73			RD14BB2C472J	RD 4.7K J 1/6W	
R75-78			RK73GB2A103J	CHIP R 10K J 1/10W	
R81			RD14BB2C103J	RD 10K J 1/6W	
R82			RK73GB2A223J	CHIP R 22K J 1/10W	
R83			RK73GB2A473J	CHIP R 47K J 1/10W	
R84-88			RK73GB2A1R0J	CHIP R 1.0 J 1/10W	
R89			RK73GB2A1R0J	CHIP R 1.0 J 1/10W	K1M2
R90			RK73GB2A1R0J	CHIP R 1.0 J 1/10W	
R91-94			RK73GB2A473J	CHIP R 47K J 1/10W	
R96			RK73GH2A273D	CHIP R 27K D 1/10W	
R97			RK73GH2A332D	CHIP R 3.3K D 1/10W	
R98			RK73GB2A102J	CHIP R 1.0K J 1/10W	
R100			RK73GB2A272J	CHIP R 2.7K J 1/10W	
R112-114			RK73GB2A222J	CHIP R 2.2K J 1/10W	E1
R130-141			RK73EB2E2R2J	CHIP R 2.2 J 1/4W	
R151			RK73GB2A102J	CHIP R 1.0K J 1/10W	
R152			RK73EB2E100J	CHIP R 10 J 1/4W	
R153			RK73EB2E471J	CHIP R 470 J 1/4W	

Ref. No.	A d d	N e w	Parts No.	Description	Desti- nation
R156,157			RK73EB2E102J	CHIP R 1.0K J 1/4W	
R158			RK73EB2E101J	CHIP R 100 J 1/4W	
R159			RK73EB2E102J	CHIP R 1.0K J 1/4W	
R160,161			RK73EB2E471J	CHIP R 470 J 1/4W	
R162			RK73EB2E102J	CHIP R 1.0K J 1/4W	
R163			RK73EB2E471J	CHIP R 470 J 1/4W	
R164			RK73EB2E102J	CHIP R 1.0K J 1/4W	
R172			RK73EB2E102J	CHIP R 1.0K J 1/4W	K1E1
R178			RK73GB2A471J	CHIP R 470 J 1/10W	
R180,181			RK73GB2A101J	CHIP R 100 J 1/10W	
R182			RK73GB2A222J	CHIP R 2.2K J 1/10W	
R183,184			RK73GB2A102J	CHIP R 1.0K J 1/10W	
R185			RK73GB2A473J	CHIP R 47K J 1/10W	
R186			RK73GB2A241J	CHIP R 240 J 1/10W	
R190			RK73GB2A104J	CHIP R 100K J 1/10W	
R191			RK73GB2A225J	CHIP R 2.2M J 1/10W	
R193,194			RK73GB2A474J	CHIP R 470K J 1/10W	
R195			RK73GB2A152J	CHIP R 1.5K J 1/10W	
R196			RK73GB2A472J	CHIP R 4.7K J 1/10W	
R197			RK73GB2A102J	CHIP R 1.0K J 1/10W	
R198			RK73GB2A474J	CHIP R 470K J 1/10W	
R251			RK73GB2A154J	CHIP R 150K J 1/10W	E1E2
R251			RK73GB2A333J	CHIP R 33K J 1/10W	K1M2
R252			RK73GB2A473J	CHIP R 47K J 1/10W	
R253			RK73GB2A432J	CHIP R 4.3K J 1/10W	
R254			RK73GB2A100J	CHIP R 10 J 1/10W	
R255			RK73GB2A221J	CHIP R 220 J 1/10W	K1M2
R255			RK73GB2A331J	CHIP R 330 J 1/10W	E1E2
R256			RK73GB2A154J	CHIP R 150K J 1/10W	E1E2
R256			RK73GB2A223J	CHIP R 22K J 1/10W	K1M2
R257			RK73GB2A123J	CHIP R 12K J 1/10W	E1E2
R257			RK73GB2A303J	CHIP R 30K J 1/10W	K1M2
R301,302			RK73EB2E100J	CHIP R 10 J 1/4W	K1M2
R303			RK73EB2E101J	CHIP R 100 J 1/4W	K1M2
R304,305			RK73EB2E472J	CHIP R 4.7K J 1/4W	K1M2
R306			RK73EB2E4R7J	CHIP R 4.7 J 1/4W	K1M2
R307-309			RK73EB2E472J	CHIP R 4.7K J 1/4W	K1M2
R310,311			RK73EB2E101J	CHIP R 100 J 1/4W	K1M2
R312			RK73GB2A104J	CHIP R 100K J 1/10W	K1M2
R313			RD14BB2C104J	RD 100K J 1/6W	K1M2
R331,332			RK73GB2A271J	CHIP R 270 J 1/10W	
R335,336			RK73GB2A303J	CHIP R 30K J 1/10W	
R338,339			RD14BB2C101J	RD 100 J 1/6W	
R351,352			RK73GB2A222J	CHIP R 2.2K J 1/10W	
R353			RK73GB2A102J	CHIP R 1.0K J 1/10W	
R355,356			RK73GB2A102J	CHIP R 1.0K J 1/10W	
R358			RK73GB2A222J	CHIP R 2.2K J 1/10W	
R359			RK73GB2A101J	CHIP R 100 J 1/10W	
R360			RK73GB2A222J	CHIP R 2.2K J 1/10W	
R363			RK73GB2A472J	CHIP R 4.7K J 1/10W	
R365			RK73GB2A472J	CHIP R 4.7K J 1/10W	
R366			RK73EB2E472J	CHIP R 4.7K J 1/4W	
R367			RK73GB2A104J	CHIP R 100K J 1/10W	
R368,369			RK73GB2A471J	CHIP R 470 J 1/10W	
R370,371			RK73GB2A472J	CHIP R 4.7K J 1/10W	

K1 : KDC-MP332 M2 : KDC-MP5033 E1 : KDC-W534 E2 : KDC-W534Y  
(E : Europe K : North America M : Other Areas W : Without Europe)

△ Indicates safety critical components.

# PARTS LIST

## ELECTRIC UNIT (X34-417x-xx)

Ref. No.	Add	New	Parts No.	Description	Destination	Ref. No.	Add	New	Parts No.	Description	Destination
R411			RK73GB2A223J	CHIP R 22K J 1/10W	K1M2E1	W56,57			R92-2053-05	CHIP R 0 OHM J 1/8W	E1
R412			RK73GB2A223J	CHIP R 22K J 1/10W	E2	W58-60			R92-1252-05	CHIP R 0 OHM J 1/16W	
R413			RK73GB2A223J	CHIP R 22K J 1/10W	K1E1E2	W62,63			R92-2053-05	CHIP R 0 OHM J 1/8W	
R414			RK73GB2A223J	CHIP R 22K J 1/10W	M2	W64			R92-1252-05	CHIP R 0 OHM J 1/16W	
R415			RK73GB2A223J	CHIP R 22K J 1/10W	K1M2	W65,66			R92-2053-05	CHIP R 0 OHM J 1/8W	
R416			RK73GB2A223J	CHIP R 22K J 1/10W	E1E2	W70			R92-1252-05	CHIP R 0 OHM J 1/16W	E1
R417,418			RK73GB2A223J	CHIP R 22K J 1/10W		W71			R92-1252-05	CHIP R 0 OHM J 1/16W	
R431			RK73GB2A223J	CHIP R 22K J 1/10W	E1	W72			R92-2053-05	CHIP R 0 OHM J 1/8W	
R432			RK73GB2A472J	CHIP R 4.7K J 1/10W		W73			R92-1252-05	CHIP R 0 OHM J 1/16W	
R433			RK73GB2A222J	CHIP R 2.2K J 1/10W		W75			R92-2053-05	CHIP R 0 OHM J 1/8W	
R435,436			RK73GB2A103J	CHIP R 10K J 1/10W		W76			R92-1252-05	CHIP R 0 OHM J 1/16W	
R437,438			RK73GB2A102J	CHIP R 1.0K J 1/10W		W78			R92-2053-05	CHIP R 0 OHM J 1/8W	
R439			RK73GB2A222J	CHIP R 2.2K J 1/10W		W79			R92-1252-05	CHIP R 0 OHM J 1/16W	
R440,441			RK73GB2A473J	CHIP R 47K J 1/10W		W82			R92-2053-05	CHIP R 0 OHM J 1/8W	
R453			RK73GB2A473J	CHIP R 47K J 1/10W		W83			R92-1252-05	CHIP R 0 OHM J 1/16W	
R454			RK73GB2A472J	CHIP R 4.7K J 1/10W		W91			R92-2053-05	CHIP R 0 OHM J 1/8W	
R456			RK73GB2A104J	CHIP R 100K J 1/10W		W93			R92-2053-05	CHIP R 0 OHM J 1/8W	
R457			RK73GB2A103J	CHIP R 10K J 1/10W		W96,97			R92-1252-05	CHIP R 0 OHM J 1/16W	
R470			RK73GB2A222J	CHIP R 2.2K J 1/10W	E1	W98			R92-2053-05	CHIP R 0 OHM J 1/8W	
R471			RK73GB2A103J	CHIP R 10K J 1/10W	K1M2E2	W99,100			R92-1252-05	CHIP R 0 OHM J 1/16W	
R480			RK73GB2A104J	CHIP R 100K J 1/10W	K1M2	W102,103			R92-2053-05	CHIP R 0 OHM J 1/8W	K1M2
R501			RK73GB2A682J	CHIP R 6.8K J 1/10W		W252			R92-1252-05	CHIP R 0 OHM J 1/16W	
R502,503			RK73GB2A222J	CHIP R 2.2K J 1/10W		W506			R92-2053-05	CHIP R 0 OHM J 1/8W	
R504			RK73GB2A4R7J	CHIP R 4.7 J 1/10W		W604,605			R92-1252-05	CHIP R 0 OHM J 1/16W	
R505			RK73GB2A102J	CHIP R 1.0K J 1/10W		W611			R92-1252-05	CHIP R 0 OHM J 1/16W	
R506			RK73GB2A105J	CHIP R 1.0M J 1/10W		W802			R92-1252-05	CHIP R 0 OHM J 1/16W	
R507			RK73GB2A102J	CHIP R 1.0K J 1/10W		W803			R92-2053-05	CHIP R 0 OHM J 1/8W	
R520			RK73GB2A221J	CHIP R 220 J 1/10W		W804-807			R92-1252-05	CHIP R 0 OHM J 1/16W	
R521			RK73GB2A152J	CHIP R 1.5K J 1/10W		W808			R92-2053-05	CHIP R 0 OHM J 1/8W	
R522			RK73GB2A223J	CHIP R 22K J 1/10W		W810			R92-1252-05	CHIP R 0 OHM J 1/16W	
R523			RK73GB2A100J	CHIP R 10 J 1/10W		W812			R92-2053-05	CHIP R 0 OHM J 1/8W	
R543			RK73GB2A562J	CHIP R 5.6K J 1/10W		W814			R92-2053-05	CHIP R 0 OHM J 1/8W	
R544			RD14BB2C222J	RD 2.2K J 1/6W		W820			R92-2053-05	CHIP R 0 OHM J 1/8W	
R545			RK73GB2A333J	CHIP R 33K J 1/10W		W823			R92-1252-05	CHIP R 0 OHM J 1/16W	
R546			RK73GB2A432J	CHIP R 4.3K J 1/10W		W826,827			R92-2053-05	CHIP R 0 OHM J 1/8W	
R561			RK73GB2A472J	CHIP R 4.7K J 1/10W		W831			R92-1252-05	CHIP R 0 OHM J 1/16W	
R565			RK73GB2A394J	CHIP R 390K J 1/10W		W832			R92-2053-05	CHIP R 0 OHM J 1/8W	
R566,567			RK73GB2A102J	CHIP R 1.0K J 1/10W		W838			R92-1252-05	CHIP R 0 OHM J 1/16W	
R589			RK73GB2A473J	CHIP R 47K J 1/10W							
R590			RK73GB2A103J	CHIP R 10K J 1/10W		S151			S74-0822-05	MICRO SWITCH	
						S152			S70-0931-05	TACT SWITCH	
R591			RK73GB2A513J	CHIP R 51K J 1/10W		D1			STZ6.8N	ZENER DIODE	
R592			RK73GB2A223J	CHIP R 22K J 1/10W		D3			IMSA-6801-E	SURGE ABSORBER	
R594			RK73EB2E100J	CHIP R 10 J 1/4W		D52			MTZJ6.8B	ZENER DIODE	
R596-598			RD14BB2C100J	RD 10 J 1/6W		D53			02DZ6.8F-Y	ZENER DIODE	
R599			RK73GB2A220J	CHIP R 22 J 1/10W		D54			MTZJ6.8B	ZENER DIODE	
R600			RD14BB2C2R2J	RD 2.2 J 1/6W		D55			1SS355	DIODE	
R601			RD14BB2C1R0J	RD 1.0 J 1/6W		D57			S2V60*A	DIODE	
R602			RK73GB2A122J	CHIP R 1.2K J 1/10W		D71			MTZJ8.2B	ZENER DIODE	
R603			RK73GB2A560J	CHIP R 56 J 1/10W		D72			1SR154-400	DIODE	
R605,606			RK73GB2A100J	CHIP R 10 J 1/10W		D73		*	1SR139-400T64	DIODE	
W51			R92-1252-05	CHIP R 0 OHM J 1/16W	E1E2	D74 ,75			1SR154-400	DIODE	
W52			R92-2053-05	CHIP R 0 OHM J 1/8W		D76		*	BAV70W	DIODE	
W53			R92-1252-05	CHIP R 0 OHM J 1/16W		D81			02DZ4.7F-Y	ZENER DIODE	
W54			R92-2053-05	CHIP R 0 OHM J 1/8W		D91			SFPB-54VNF	DIODE	
W56			R92-2053-05	CHIP R 0 OHM J 1/8W	K1M2E2						

K1 : KDC-MP332 M2 : KDC-MP5033 E1 : KDC-W534 E2 : KDC-W534Y  
(E : Europe K : North America M : Other Areas W : Without Europe)

△ Indicates safety critical components.

# PARTS LIST

## ELECTRIC UNIT (X34-417x-xx)

Ref. No.	A d d	N e w	Parts No.	Description	Desti- nation
D162			STZ6.2N	ZENER DIODE	
D203			1SS133	DIODE	
D251-253			1SR154-400	DIODE	K1M2
D254		*	1SR139-400T64	DIODE	K1M2
D255-258			1SR154-400	DIODE	K1M2
D259			1SS133	DIODE	E1E2
D259,260			1SS133	DIODE	K1M2
D261			1SS355	DIODE	
D301-304			MTZJ6.2B	ZENER DIODE	K1M2
D305,306			MTZJ6.8B	ZENER DIODE	K1M2
D403		*	BAV70W	DIODE	
D501			RN739F	DIODE	
D502,503			KP2311ETR-G	DIODE	
D504			KV1430STL-G	VARIABLE CAPACITANCE DIODE	
D506			HVC383B-E	VARIABLE CAPACITANCE DIODE	
IC1		*	784225GC301A	MICROCONTROLLER IC	
IC3			BA4911-V4	ANALOGUE IC	
IC4			E-TDA7560A	ANALOGUE IC	K1M2
IC4			TB2904HQ	ANALOGUE IC	E1E2
IC6			TC7W02FU-F	MOS-IC	
IC7			E-TDA7479AD	ANALOGUE IC	E1
IC8			S-80836CNNB-J	MOS-IC	
IC9			SI-8050JF3NF	ANALOGUE IC	
IC10			E-TDA7516A	ANALOGUE IC	
IC11			BR24L04FV-W	ROM IC	
IC15			BA00CCWT	ANALOGUE IC	
Q51-53			2SC4155A(Q,R,S)	TRANSISTOR	
Q54			2SA1036K	TRANSISTOR	
Q71			UMC2N	TRANSISTOR	
Q72			2SB1565(E,F)	TRANSISTOR	
Q73			2SD1858	TRANSISTOR	
Q74			UMC2N	TRANSISTOR	
Q91			2SC4155A(Q,R,S)	TRANSISTOR	
Q151			RT1P144M	TRANSISTOR	
Q152			2SA1577	TRANSISTOR	
Q153			RT1N144M	TRANSISTOR	
Q156			2SC4155A(Q,R,S)	TRANSISTOR	
Q330			RT1P241M	TRANSISTOR	
Q351,352			RT1N430M	TRANSISTOR	
Q501			HN3G01J(BL)-F	TRANSISTOR	
TH1			PRF21BE471QB2	POSITIVE RESISTOR	
<b>DAUGHTER UNIT (X89-2690-10)</b>					
C221,222			CD04AS1C100M	ELECTRO 10UF 16WV	K1M2
CN90			E41-0956-05	PIN ASSY	K1M2
CN91			E41-0930-05	PIN ASSY	K1M2
W101			E31-0001-00	JUMPER WIRE	K1M2
R221,222			RK73GB2A271J	CHIP R 270 J 1/10W	K1M2
R225,226			RK73GB2A303J	CHIP R 30K J 1/10W	K1M2
R229,230			RD14BB2C101J	RD 100 J 1/6W	K1M2
Q221,222			DTC143TUA	DIGITAL TRANSISTOR	K1M2
Q225			DTA124EUA	DIGITAL TRANSISTOR	K1M2

Ref. No.	A d d	N e w	Parts No.	Description	Desti- nation
<b>MECHANISM ASSY (X92-5470-00: K1/M2, X92-5670-00: E1/E2)</b>					
2		1B	A10-4827-32	CHASSIS	
5		1B	D10-4576-83	ARM ASSY	
8		2A	D10-4579-23	LEVER ASSY	
10		2A	D10-4581-13	ARM	
11		2A	D10-4582-13	ARM	
12		3A	D10-4583-03	ARM	
13		3A	D10-4584-03	ARM	
14		3B	D10-4585-03	ARM	
15		2A	D10-4586-13	SLIDER	
16		3B	D10-4587-52	SLIDER	
17		2B	D10-4588-13	SLIDER	
18		2B	D10-4595-04	ARM	
19		2B	D10-4596-24	ARM	
22		2A	D13-2151-04	GEAR	
23		2B	D13-2152-04	GEAR	
24		3B	D13-2153-04	GEAR	
25		3B	D13-2154-04	GEAR	
26		3B	D13-2155-04	WORM	
27		2B	D13-2156-14	GEAR	
28		3B	D13-2157-04	GEAR	
29		2B	D13-2158-04	GEAR	
30		2B	D13-2168-04	GEAR	
31		3B	D13-2171-04	GEAR	
32		1B	D13-2381-13	RACK (GEAR)	
33		2A	D14-0759-04	ROLLER	
35		2B	D21-2382-04	SHAFT	
36		1A	D23-0954-04	RETAINER	
37		1B	D39-0246-05	DAMPER	
38		2B	G01-3072-04	EXTENSION SPRING	
39		2A	G01-3073-04	TORSION COIL SPRING	
40		2A	G01-3074-04	EXTENSION SPRING	
41		1B	G01-3075-24	EXTENSION SPRING	
42		2A	G01-3076-04	EXTENSION SPRING	
43		1B	G01-3077-14	EXTENSION SPRING	
44		2B	G02-1399-04	FLAT SPRING	
45		2B	G02-1408-04	FLAT SPRING	
46		2A	G13-1258-04	CUSHION	
51		1A	J21-9676-32	MOUNTING HARDWARE	
52		3B	J21-9677-22	MOUNTING HARDWARE	
53		1B	J21-9678-13	MOUNTING HARDWARE	
55		1A	J90-1001-11	GUIDE	
56		1B	J90-1023-03	GUIDE	
DFPC1		3A	J84-0141-05	FPC	K1M2
DFPC1		3A	J86-0027-05	FPC (LEAD FREE)	E1E2
A		2B	N09-4460-15	TAPTITE SCREW (OVAL P TAPTIT)	
B		1B	N09-6317-05	TAPTITE SCREW (M1.6X6.0)	
C		2B	N09-6004-15	MACHINE SCREW (M1.7X2.5)	
E		2B	N09-6007-15	MACHINE SCREW (PAN M2X2)	
F		1A	N09-6051-15	TAPTITE SCREW (BIND P 2X5)	
G		2A	N19-2163-04	FLAT WASHER	
H		1B	N39-2020-46	PAN HEAD MACHINE SCREW	

K1 : KDC-MP332 M2 : KDC-MP5033 E1 : KDC-W534 E2 : KDC-W534Y  
(E : Europe K : North America M : Other Areas W : Without Europe)

△ Indicates safety critical components.

# PARTS LIST

**MECHANISM ASSY (X92-5470-00: K1/M2, X92-5670-00: E1/E2)**

Ref. No.	A d d	N e w	Parts No.	Description	Desti- nation
J	1B		N09-6108-15	TAPTITE SCREW (M2X3.5)	
K	3B		N09-6155-15	SEMS (TAPTITE SCREW) (PT2X6)	
DM1	3B		T42-1066-14	DC MOTOR (SPINDLE)	
DM2	2B		T42-1067-14	DC MOTOR (LOADING)	
DPU1	2B		X93-2130-00	OPTICAL PICKUP ASSY	K1M2
DPU1	2B		X93-2130-01	OPTICAL PICKUP ASSY (LEAD FREE)	E1E2

Ref. No.	A d d	N e w	Parts No.	Description	Desti- nation

**K1** : KDC-MP332   **M2** : KDC-MP5033   **E1** : KDC-W534   **E2** : KDC-W534Y  
(**E** : Europe   **K** : North America   **M** : Other Areas   **W** : Without Europe)

△ Indicates safety critical components.