

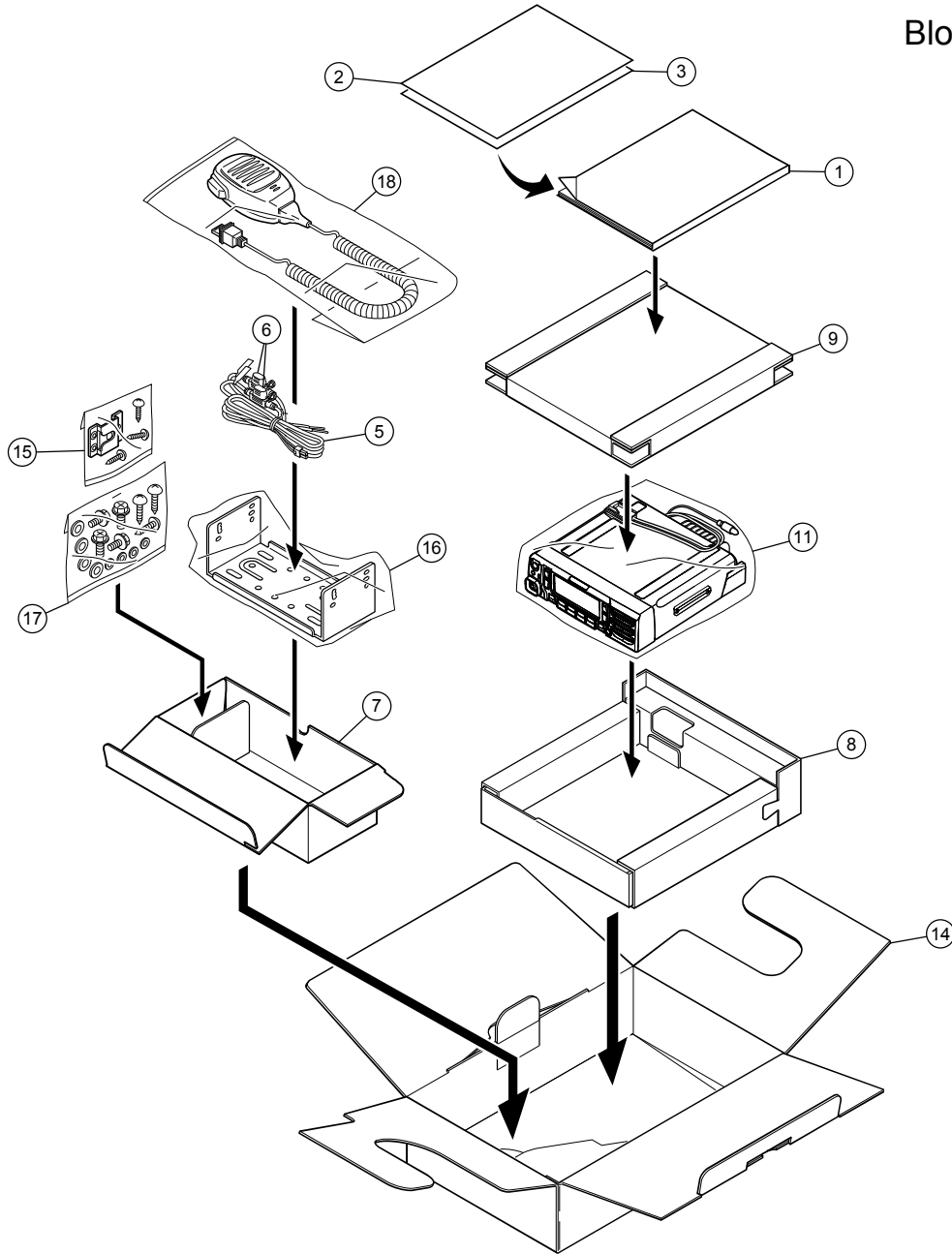
General assembly

Block No. [M][1][M][M]

△ Symbol No.	Part No.	Part Name	Description	Local
1	A0C-0034-00	PLASTIC CABINET		
2	A6C-0003-10	PANEL ASSY		NX-5800_K,NX-5800_K2
3	B09-0681-03	CAP(KAP-2)		
4	B09-0754-05	CAP(SMA)		
5	B0K-0004-00	CAP(D-SUB)		
6	B1B-0017-00	ILLUMINATION GUIDE		NX-5800_K,NX-5800_K2
7	B38-0966-05	LCD ASSY		NX-5800_K,NX-5800_K2
8	B4B-0008-00	CAUTION STICKER		NX-5800_K,NX-5800_K2
9	B4D-0021-00	BADGE		NX-5800_K,NX-5800_K2
10	E04-0167-15	RF COAXIAL RECEPTACLE(M)(ANT)		
11	E0E-0003-00	RF COAXIAL RECEPTACLE-SMA(GPS)		
12	E30-7520-35	DC CORD		
13	E3F-0017-00	FLAT CABLE(20P)		
14	E3F-0019-00	FLAT CABLE(50P)		
15	E3F-0021-10	FLAT CABLE(30P)		
16	E37-1118-05	LEAD WIRE WITH CONNECTOR(SHORT CABLE)		
17	E37-1693-05	LEAD WIRE WITH CONNECTOR(SP 2P)		NX-5800_K,NX-5800_K2
18	E3H-0008-00	LEAD WIRE WITH CONNECTOR(4P)		
19	F10-3112-13	SHIELDING CASE(PM)		
20	F10-3223-05	SHIELDING COVER(BLS(IF IC))		
21	F10-3225-05	SHIELDING COVER(BLS(BT/GPS,DCDC54M))	(x2)	
22	F10-3243-15	SHIELDING COVER(BLS(PLL IC))		
23	F1A-0003-00	SHIELDING PLATE(TOP)		
24	F1B-0013-00	SHIELDING CASE(FINAL)		
25	F1B-0021-00	SHIELDING COVER(BLS(VCO))		
26	F1E-0001-00	SHIELDING PLATE(D-SUB)		
27	F1E-0002-00	SHADE(TX-BUSY)		NX-5800_K,NX-5800_K2
28	G13-2101-04	CONDUCTIVE CUSHION		
29	G13-1837-04	CUSHION		
30	G13-2153-04	CONDUCTIVE CUSHION		
31	G1D-0011-00	CUSHION(LCD-HOLDER)		NX-5800_K,NX-5800_K2
32	G1D-0012-10	CUSHION(LCD-F.GLASS)		NX-5800_K,NX-5800_K2
33	G1D-0018-00	CUSHION(D-SUB)		
34	G1D-0028-00	CUSHION(DC SCREW)		
35	G1D-0049-00	CUSHION(VCO)		
36	G53-1616-03	PACKING(PHONE JACK)		
37	G53-1643-04	PACKING(DC CORD)		
38	G53-1662-04	PACKING(ANT(M))		
39	G53-1768-04	PACKING(SMA)		
40	G5D-0015-00	PACKING(SP)		NX-5800_K,NX-5800_K2
41	G5D-0016-00	PACKING(TOP)		
42	G5D-0017-00	PACKING(FRONT)		
43	J1K-0018-00	HOLDER(LCD)		NX-5800_K,NX-5800_K2
44	J1K-0019-00	HOLDER(PCB PANEL)		NX-5800_K,NX-5800_K2
45	J2B-0021-00	MOUNTING HARDWARE(LCD)		NX-5800_K,NX-5800_K2
46	J2B-0023-00	MOUNTING HARDWARE(SP)		NX-5800_K,NX-5800_K2
47	K2K-0100-00	KEY TOP		NX-5800_K,NX-5800_K2
48	T07-0810-05	SPEAKER		NX-5800_K,NX-5800_K2
49	W09-0971-05	LITHIUM CELL(MAIN UNIT)		
A	N09-2292-05	HEXAGON HEAD SCREW(D-SUB)	(x2)	
B	N30-2606-48	PAN HEAD MACHINE SCREW(SMA)	(x2)	
C	N67-3008-48	PAN HEAD SEMS SCREW(DC,PM)	(x4)	
D	N83-2005-48	PAN HEAD TAPTITE SCREW(BT/GPS)	(x3)	
E	N87-2608-48	BRAZIER HEAD TAPTITE SCREW	(x24)	
F	N89-2606-43	BINDING HEAD TAPTITE SCREW(D-SUB)	(x2)	
-	XC1-0391-82	SERVICE MAIN UNIT		NX-5800_K,NX-5800B_F,NX-5800B_K
-	XC1-0391-83	SERVICE MAIN UNIT		NX-5800_K2,NX-5800B_F2,NX-5800B_K2

Packing materials and accessories parts list (NX-5800_K,NX-5800_K2)

Block No.M2MM



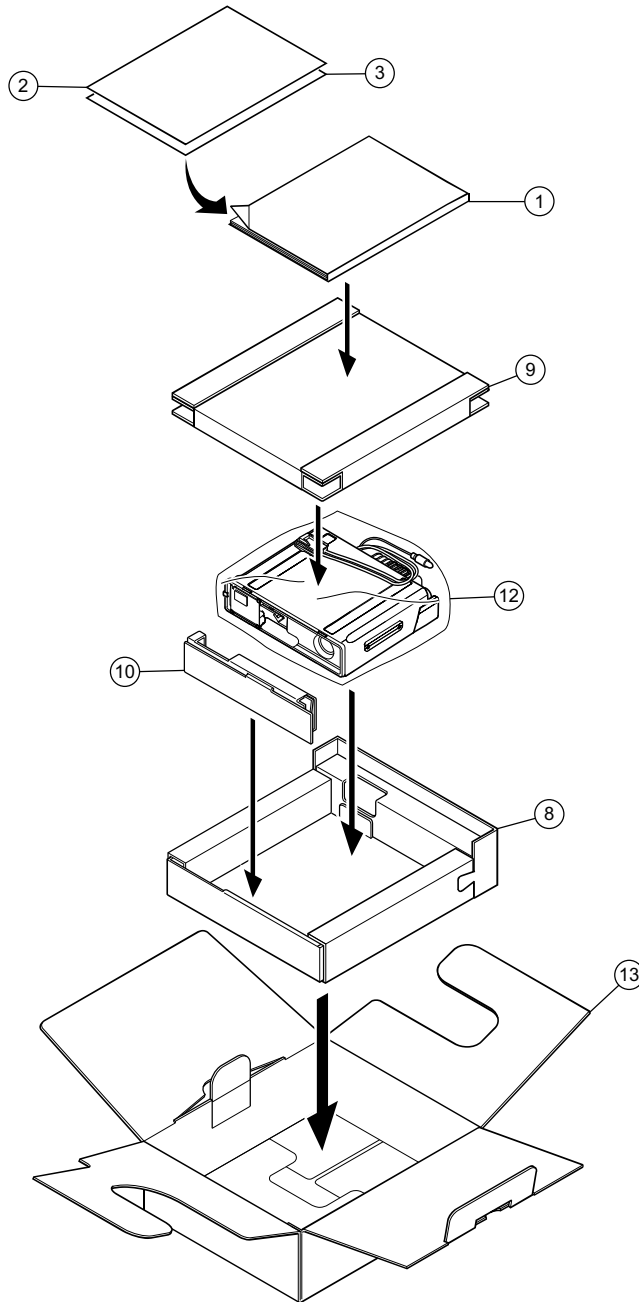
Packing and accessories

Block No. [M][2][M][M]
Local

△ Symbol No.	Part No.	Part Name	Description	Block No. [M][2][M][M] Local
1	B5A-0056-00	INSTRUCTION MANUAL		
2	-----	PAMPHLET		
3	-----	PAMPHLET		
5	E30-7523-55	DC CORD ASSY		
6	F52-0024-05	FUSE(BLADE TYPE)(15A)	(x2)	
7	H0C-0007-00	INNER CARTON CASE		
8	H1C-0012-00	PACKING FIXTURE(LOWER)		
9	H1C-0013-00	PACKING FIXTURE(UPPER)		
11	-----	PROTECTION BAG		
14	H5A-0233-00	ITEM CARTON CASE		
15	J19-1584-15	HOLDER(MIC)		
16	-----	BRACKET		
17	N99-2039-05	SCREW SET		
18	T91-0639-65	MICROPHONE		

Packing materials and accessories parts list (NX-5800B_F,NX-5800B_F2,NX-5800B_K,NX-5800B_K2)

Block No.M3MM



Packing and accessories

Block No. [M][3][M][M]
Local

△ Symbol No.	Part No.	Part Name	Description	Block No. [M][3][M][M] Local
1	B5A-0056-00	INSTRUCTION MANUAL		
2	-----	PAMPHLET		
3	-----	PAMPHLET		
8	H1C-0012-00	PACKING FIXTURE(LOWER)		
9	H1C-0013-00	PACKING FIXTURE(UPPER)		
10	H1C-0027-00	PACKING FIXTURE(SPACER)		
12	-----	ANTI-STATIC BAG		
13	H5A-0014-00	ITEM CARTON CASE		

Electrical parts list

MAIN UNIT

XC1-0391-80(NX-5800_K,NX-5800B_F,NX-5800B_K)

XC1-0391-81(NX-5800_K2,NX-5800B_F2,NX-5800B_K2)

***Note : This part cannot be replaced. Therefore, this part is not supplied as a service part.**

Block No. [0][1]

△ Symbol No.	Part No.	Part Name	Description	Local
IC1	-----	MOS-IC	*Note	
IC2	MSP430G2533P0	MICROPROCESSOR IC		
IC3	XC6215B122N-G	IC(MOS-IC)		
IC4	NJM2878F4-33	BIPOLAR IC		
IC5	XC6223D331P-G	IC(MOS-IC)		
IC6	-----	MOS-IC	*Note	
IC7	XC6223H331P-G	IC(ANALOGUE)		
IC8	TPS54240DGQ	IC(MOS-IC)		
IC9	XC8102AA07-G	IC(MOS-IC)		
IC10	-----	MOS-IC	*Note	
IC11	LXDC2HN18F163	IC(MOS-IC)		
IC12	NJM2878F4-33	BIPOLAR IC		
IC13	TPS61041DRVR	IC(ANALOGUE)		
IC14	XC6223H331P-G	IC(ANALOGUE)		
IC15	BA00DD0WHFP	IC(MOS-IC)		
IC16	XC6209B502P-G	IC(MOS-IC)		
IC17	-----	MOS-IC	*Note	
IC18	XC61CN5002N-G	IC(MOS-IC)		
IC100	SKY72310362LF	IC(MOS-IC)		
IC101	TC7SH17FUF	IC(MOS-IC)		
IC102	BA2904FVM	IC(MOS-IC)		
IC300	-----	MOS-IC	*Note	
IC301	NJM12904RB1	BIPOLAR IC		
IC302	RA60H4452M1A	IC(MOS-IC)		K,BF,BK
IC302	RA60H3847M1A	IC(MOS-IC)		K2,BF2,BK2
IC303	NJM12904RB1	BIPOLAR IC		
IC304	AD8315ARM	IC(MOS-IC)		
IC500	AK1224	IC(MOS-IC)		
IC501	BA2904FVM	IC(MOS-IC)		
IC600	AD9864BCPZRL	IC(MOS-IC)		
IC701	-----	MOS-IC	*Note	
IC702	-----	SRAM IC	*Note	
IC703	CDC3S04YFF	IC(MOS-IC)		
IC704	TC7SZ08FE	IC(MOS-IC)		
IC705	TC7WH126FU-F	IC(MOS-IC)		
IC706	-----	MICROPROCESSOR IC	*Note	
IC707	BD11600NUX	IC(MOS-IC)		
IC708	BD11600NUX	IC(MOS-IC)		
IC709	TC7SET125FUF	IC(MOS-IC)		
IC710	TC7SZ08FE	IC(MOS-IC)		
IC711	-----	MOS-IC	*Note	
IC712	ADS7961SRHB	IC(MOS-IC)		
IC714	BD11600NUX	IC(MOS-IC)		
IC715	DAC124S085CIS	IC(MOS-IC)		
IC719	R2A20178NP	MICROCONTROLLER IC		
IC720	XC61CN5002N-G	IC(MOS-IC)		
IC900	TC7SET08FUF	IC(MOS-IC)		
IC901	BU7242NUX	IC(MOS-IC)		
IC902	TLV32AIC3104I	IC(MOS-IC)		
IC903	BU7242NUX	IC(MOS-IC)		
IC904	TC7SET125FUF	IC(MOS-IC)		
IC905	TC7WT125FUF	IC(MOS-IC)		
IC906	TC7WBD125AFK	IC(MOS-IC)		
IC907	BD11600NUX	IC(MOS-IC)		
IC908	TC7WH14FK-F	IC(MOS-IC)		
IC909	ADM3202ARUZ	IC(MOS-IC)		
IC910	PCA9555AHF	IC(MOS-IC)		
IC911	LA4425A	IC(MOS-IC)		
IC912	TC7SET08FUF	IC(MOS-IC)		
Q1	KTA2012EP	TRANSISTOR		
Q3	SSM3K15AMFV	FET		
Q4	LTC014EEBFS8	DIGI TRANSISTOR		
Q5	MTM981400BF	FET		
Q6	LTC014EEBFS8	DIGI TRANSISTOR		

△ Symbol No.	Part No.	Part Name	Description	Local
Q7	LTC014TEBFS8	DIGI TRANSISTOR		
Q8	LSCR523EBFS8	TRANSISTOR		
Q9	LSAR523UBFS8	TRANSISTOR		
Q10	MTM981400BF	FET		
Q11	LTC014EEBFS8	DIGI TRANSISTOR		
Q12	EM6M2	FET		
Q14	EM6M2	FET		
Q15	LTC014EEBFS8	DIGI TRANSISTOR		
Q16	SSM3J334R	FET		
Q17	LTC014EEBFS8	DIGI TRANSISTOR		
Q18	SSM3J334R	FET		
Q81	SSM3J15FS	FET		
Q100	LTA014YEBFS8	TRANSISTOR		
Q101	SSM3K15AMFV	FET		
Q102	EMD9	TRANSISTOR		
Q103	EM6M2	FET		
Q104	DSC9A01/T/	TRANSISTOR		
Q105	MCH3914-H/8/	FET		
Q106	2SC5108F/Y/	TRANSISTOR		
Q107	MCH3914-H/8/	FET		
Q108	EM6M2	FET		
Q109	SSM3J15FS	FET		
Q110	2SC5108F/Y/	TRANSISTOR		
Q111	2SC5108F/Y/	TRANSISTOR		
Q112	EM6M2	FET		
Q300	RD01MUS2-T113	FET		
Q301	LSCR523EBFS8	TRANSISTOR		
Q302	LSCR523EBFS8	TRANSISTOR		
Q303	LSCR523EBFS8	TRANSISTOR		
Q304	EM6M2	FET		
Q305	SSM3K15AMFV	FET		
Q500	2SC5108F/Y/	TRANSISTOR		
Q502	MT3S111	TRANSISTOR		
Q600	MCH3914-H/8/	FET		
Q601	LTC023JEBFS8	DIGI TRANSISTOR		
Q602	LSCR523EBFS8	TRANSISTOR		
Q603	2SC5066F/O/	TRANSISTOR		
Q604	BF5020W	FET		
Q700	2SC4617/S/	TRANSISTOR		
Q701	SSM3K15AMFV	FET		
Q703	SSM3K15AMFV	FET		
Q704	SSM3K15AMFV	FET		
Q705	LTC014TEBFS8	DIGI TRANSISTOR		
Q900	SSM3K335R	FET		
Q901	SSM3J332R	FET		
Q902	DSC9A01/T/	TRANSISTOR		
Q905	SSM3K335R	FET		
Q906	SSM3J332R	FET		
Q907	SSM3K335R	FET		
Q908	SSM3K335R	FET		
D1	DZ2J180(M)	ZENER DIODE		
D2	RB520SM-30	DIODE		
D3	EDZV8.2B	ZENER DIODE		
D4	RB521CM-30	DIODE		
D5	22ZR-10D	SURGE ABSORBER		
D6	RB520SM-30	DIODE		
D7	RB521CM-30	DIODE		
D8	RB521CM-30	DIODE		
D9	RB521CM-30	DIODE		
D10	DSA3A1	DIODE		
D11	DZ2S056(M)	ZENER DIODE		
D12	RB521CM-30	DIODE		
D13	1SS400SM	DIODE		
D14	RB060M-40	DIODE		
D15	DB2J40700	DIODE		
D16	RB521CM-30	DIODE		
D17	RB521CM-30	DIODE		
D100	EDZV8.2B	ZENER DIODE		
D101	RN262CS	DIODE		
D102	RN262CS	DIODE		
D103	BBY58-02V	VARIABLE CAPACITANCE DIODE		
D104	BBY58-02V	VARIABLE CAPACITANCE DIODE		
D105	BB664-02V	VARIABLE CAPACITANCE DIODE		
D106	BB664-02V	VARIABLE CAPACITANCE DIODE		
D107	BB664-02V	VARIABLE CAPACITANCE DIODE		

△ Symbol No.	Part No.	Part Name	Description	Local	△ Symbol No.	Part No.	Part Name	Description	Local
D108	BB664-02V	VARIABLE CAPACITANCE DIODE			C13	CK73HB1A474K	C CAPACITOR	0.47UF K	
D109	BB664-02V	VARIABLE CAPACITANCE DIODE			C16	CK73HB1H103K	C CAPACITOR	0.010UF K	
D110	BB664-02V	VARIABLE CAPACITANCE DIODE			C18	CK73HBB1H471K	C CAPACITOR	470PF K	
D111	BB664-02V	VARIABLE CAPACITANCE DIODE			C21	CK73HB1C105K	C CAPACITOR	1.0UF K	
D112	BB664-02V	VARIABLE CAPACITANCE DIODE			C24	CK73HBB1H471K	C CAPACITOR	470PF K	
D113	1SS400SM	DIODE			C25	CK73HBB1H102K	C CAPACITOR	0.010UF K	
D114	RN262CS	DIODE			C30	CK73HB1C105K	C CAPACITOR	1.0UF K	
D115	RN262CS	DIODE			C31	CK73EB1H475KM	C CAPACITOR	4.7UF K	
D117	BB555-02V	VARIABLE CAPACITANCE DIODE			C32	CK73GB1E105K	C CAPACITOR	1.0UF K	
D300	RN262CS	DIODE			C33	CK73EB1H475KM	C CAPACITOR	4.7UF K	
D301	RB520SM-30	DIODE			C34	CK73HB1E104K	C CAPACITOR	0.10UF K	
D302	DZ2S056(M)	ZENER DIODE			C35	CK73HBB1H471K	C CAPACITOR	470PF K	
D307	DZ2S056(M)	ZENER DIODE			C36	CK73GB1E105K	C CAPACITOR	1.0UF K	
D309	RB706F-40	DIODE			C37	CK73FB1C106K	C CAPACITOR	10UF K	
D310	L8104	DIODE			C38	CK73HBB1H471K	C CAPACITOR	470PF K	
D311	L8104	DIODE			C39	CK73GBOJ106K	C CAPACITOR	10UF K	
D312	JDP2S12CR	DIODE			C40	CK73HB1H103K	C CAPACITOR	0.010UF K	
D313	JDP2S12CR	DIODE			C41	CK73GB1E105K	C CAPACITOR	1.0UF K	
D314	RN142S	DIODE			C43	CK73GXR1C225K	C CAPACITOR	2.2UF K	
D315	RN142S	DIODE			C44	CK73HBB1H471K	C CAPACITOR	470PF K	
D500	RN262CS	DIODE			C45	CK73HB1C105K	C CAPACITOR	1.0UF K	
D501	BB565-02V	VARIABLE CAPACITANCE DIODE			C46	CK73GXR1C225K	C CAPACITOR	2.2UF K	
D502	BB565-02V	VARIABLE CAPACITANCE DIODE			C47	CK73HB1E104K	C CAPACITOR	0.10UF K	
D503	BB565-02V	VARIABLE CAPACITANCE DIODE			C48	CK73GXR1C225K	C CAPACITOR	2.2UF K	
D504	BB565-02V	VARIABLE CAPACITANCE DIODE			C49	CK73HB1C105K	C CAPACITOR	1.0UF K	
D505	BB565-02V	VARIABLE CAPACITANCE DIODE			C50	CK73HBB1H102K	C CAPACITOR	0.010UF K	
D506	BB565-02V	VARIABLE CAPACITANCE DIODE			C51	CK73HBB1H332K	C CAPACITOR	0.033UF K	
D507	BB565-02V	VARIABLE CAPACITANCE DIODE			C52	CK73HB1E104K	C CAPACITOR	0.10UF K	
D508	RN142S	DIODE			C53	CK73GB1E105K	C CAPACITOR	1.0UF K	
D509	RN142S	DIODE			C54	CK73GB1E105K	C CAPACITOR	1.0UF K	
D600	SMV1705-079LF	VARIABLE CAPACITANCE DIODE			C55	CK73HBB1H471K	C CAPACITOR	470PF K	
D601	SMV1705-079LF	VARIABLE CAPACITANCE DIODE			C56	CK73HB1H392K	C CAPACITOR	3900PF K	
D602	DA3S101F	MULTIPLE DIODE			C57	CK73FXR1E475K	C CAPACITOR	4.7UF K	
D700	RB521CM-30	DIODE			C58	CC73HCH1H220G	C CAPACITOR	22PF G	
D701	RB521CM-30	DIODE			C59	CK73FB1C106K	C CAPACITOR	10UF K	
D702	SPC10501A01	VARISTOR			C60	CK73FB1C106K	C CAPACITOR	10UF K	
D703	SPC10501A01	VARISTOR			C61	CK73HBB1H471K	C CAPACITOR	470PF K	
D704	SPC10501A01	VARISTOR			C62	CK73GXR1C225K	C CAPACITOR	2.2UF K	
D705	SPC10501A01	VARISTOR			C63	CK73HBB1H102K	C CAPACITOR	0.010UF K	
D706	SPC10501A01	VARISTOR			C64	CK73GBOJ106K	C CAPACITOR	10UF K	
D708	EDZV8.2B	ZENER DIODE			C65	CK73FB1C106K	C CAPACITOR	10UF K	
D710	RB521CM-30	DIODE			C66	CK73HB1C105K	C CAPACITOR	1.0UF K	
D711	RB521CM-30	DIODE			C67	CK73FB1C106K	C CAPACITOR	10UF K	
D801	RB521CM-30	DIODE			C68	CK73FXR1E475K	C CAPACITOR	4.7UF K	
D900	DA3S101F	MULTIPLE DIODE			C69	CK73GXR1C225K	C CAPACITOR	2.2UF K	
D903	DZ2S056(M)	ZENER DIODE			C70	CK73HB1H391K	C CAPACITOR	390PF K	
D904	DA204U	MULTIPLE DIODE			C71	CK73HB1H391K	C CAPACITOR	390PF K	
D905	1SS400SM	DIODE			C72	CK730FA1H475K	C CAPACITOR	4.7UF K	
D906	DZ2S056(M)	ZENER DIODE			C73	CK73GB1E105K	C CAPACITOR	1.0UF K	
D907	RB521CM-30	DIODE			C74	CK73GXR1C225K	C CAPACITOR	2.2UF K	
D908	DA204U	MULTIPLE DIODE			C75	CK73HB1C105K	C CAPACITOR	1.0UF K	
D909	DA3S101F	MULTIPLE DIODE			C76	CK73HBB1H471K	C CAPACITOR	470PF K	
D910	DA204U	MULTIPLE DIODE			C77	CK73FXR1E475K	C CAPACITOR	4.7UF K	
D911	DA204U	MULTIPLE DIODE			C78	CK730DT1C476K	C CAPACITOR	4.7UF K	
D912	DA204U	MULTIPLE DIODE			C80	CK73GXR1H104K	C CAPACITOR	0.1UF K	
D913	DA204U	MULTIPLE DIODE			C81	CC73HCH1H470G	C CAPACITOR	47PF G	
D914	DA204U	MULTIPLE DIODE			C82	CK73GXR1C225K	C CAPACITOR	2.2UF K	
D915	DA204U	MULTIPLE DIODE			C83	CK73HB1C105K	C CAPACITOR	1.0UF K	
D916	DA2J101	DIODE			C84	CK73GXR1C225K	C CAPACITOR	2.2UF K	
D917	DZ2J180(M)	ZENER DIODE			C85	C92-0968-05	ELECTRO	470UF 25WV	
D918	DA204U	MULTIPLE DIODE			C100	CK73HB1H103K	C CAPACITOR	0.010UF K	
D919	DA204U	MULTIPLE DIODE			C101	CK73HBB1H471K	C CAPACITOR	470PF K	
D920	DA204U	MULTIPLE DIODE			C102	CC73HCH1H100B	C CAPACITOR	10PF B	
D921	DA2J101	DIODE			C103	CK73HB1H103K	C CAPACITOR	0.010UF K	
D922	DZ2J180(M)	ZENER DIODE			C104	CK73HB1H103K	C CAPACITOR	0.010UF K	
D923	DA204U	MULTIPLE DIODE			C106	CC73HCH1H101J	C CAPACITOR	100PF J	
D924	RB520SM-30	DIODE			C107	CC73HCH1H101J	C CAPACITOR	100PF J	
C1	CK73HB1C105K	C CAPACITOR	1.0UF K		C108	CC73HCH1H101J	C CAPACITOR	100PF J	
C2	CD04CK1E102M	E CAPACITOR	1000UF 25WV		C109	CC73HCH1H101J	C CAPACITOR	100PF J	
C3	CK73HBB1H222K	C CAPACITOR	0.022UF K		C110	CC73HCH1H101J	C CAPACITOR	100PF J	
C4	CK73HBB1H471K	C CAPACITOR	470PF K		C111	CC73HCH1H101J	C CAPACITOR	100PF J	
C5	CK73HBB1H471K	C CAPACITOR	470PF K		C112	CK73HB1E104K	C CAPACITOR	0.10UF K	
C8	CK73HBB1H102K	C CAPACITOR	0.010UF K		C113	CK73HB1E104K	C CAPACITOR	0.10UF K	
C9	CK73HBB1H471K	C CAPACITOR	470PF K		C114	CC73HCH1H101J	C CAPACITOR	100PF J	
C10	CK73FB1C106K	C CAPACITOR	10UF K		C115	CK73HB1E104K	C CAPACITOR	0.10UF K	
C11	CK73HB1E104K	C CAPACITOR	0.10UF K		C116	CC73HCH1H101J	C CAPACITOR	100PF J	
C12	C93-1959-05	C CAPACITOR	0.10UF B		C118	CK73HB1H103K	C CAPACITOR	0.010UF K	
					C120	CC73HCH1H101J	C CAPACITOR	100PF J	

△ Symbol No.	Part No.	Part Name	Description	Local	△ Symbol No.	Part No.	Part Name	Description	Local
C121	CC73HCH1H330G	C CAPACITOR	33PF G		C193	CC73HCH1H060B	C CAPACITOR	6.0PF B	
C124	CC73HCH1H101J	C CAPACITOR	100PF J		C194	CK73HBB1H471K	C CAPACITOR	470PF K	
C125	CK73GB1H105K	C CAPACITOR	1.0UF K		C195	CK73HBB1H102K	C CAPACITOR	0.010UF K	
C126	CC73HCH1H101J	C CAPACITOR	100PF J		C196	CK73HBB1H471K	C CAPACITOR	470PF K	
C127	CK73FBB1H154K	C CAPACITOR	0.15UF J		C197	CC73HCH1H070B	C CAPACITOR	7.0PF B	K,BF,BK
C128	CS77ABE1D100M	TA E CAPACITOR	10UF M		C197	CC73HCH1H060B	C CAPACITOR	6.0PF B	K2,BF2,BK2
C129	CK73HBB1H102K	C CAPACITOR	0.010UF K		C198	CC73HCH1H040B	C CAPACITOR	4.0PF B	K,BF,BK
C130	CK73FB1H473K	C CAPACITOR	0.047UF K		C198	CC73HCH1H010B	C CAPACITOR	1.0PF B	K2,BF2,BK2
C131	CC730AD1H104J	C CAPACITOR	100PF J		C201	CK73HB1C105K	C CAPACITOR	1.0UF K	
C132	CK73HBB1H471K	C CAPACITOR	470PF K		C202	CK73HBB1H471K	C CAPACITOR	470PF K	
C133	CK73HBB1H102K	C CAPACITOR	0.010UF K	K,BF,BK	C300	CK73HBB1H471K	C CAPACITOR	470PF K	
C133	CC73HCH1H100B	C CAPACITOR	10PF B	K2,BF2,BK2	C301	CK73HBB1H471K	C CAPACITOR	470PF K	
C134	CK73HBB1H471K	C CAPACITOR	470PF K		C303	CC73HCH1H050B	C CAPACITOR	5.0PF B	
C135	CK73HBB1H102K	C CAPACITOR	0.010UF K	K,BF,BK	C304	CK73HBB1H471K	C CAPACITOR	470PF K	
C135	CC73HCH1H100B	C CAPACITOR	10PF B	K2,BF2,BK2	C305	CC73HCH1H050B	C CAPACITOR	5.0PF B	
C136	CC73HCH1H101J	C CAPACITOR	100PF J		C306	CK73HBB1H471K	C CAPACITOR	470PF K	
C137	CC73HCH1H101J	C CAPACITOR	100PF J		C307	CK73HBB1H471K	C CAPACITOR	470PF K	
C138	CC73HCH1H090B	C CAPACITOR	9.0PF B	K,BF,BK	C308	CK73HB1E473K	C CAPACITOR	0.047UF K	
C138	CC73HCH1H100B	C CAPACITOR	10PF B	K2,BF2,BK2	C309	CK73HBB1H472K	C CAPACITOR	0.047UF K	
C139	CC73HCH1H080B	C CAPACITOR	8.0PF B	K,BF,BK	C310	CC73HCH1H101J	C CAPACITOR	100PF J	
C139	CC73HCH1H100B	C CAPACITOR	10PF B	K2,BF2,BK2	C311	CK73HBB1H471K	C CAPACITOR	470PF K	
C141	CC73HCH1H0R5B	C CAPACITOR	0.5PF B	K,BF,BK	C312	CK73HBB1H471K	C CAPACITOR	470PF K	
C142	CC73HCH1H151J	C CAPACITOR	150PF J		C313	CC73HCH1H050B	C CAPACITOR	5.0PF B	
C143	CC73HCH1H151J	C CAPACITOR	150PF J		C315	CC73HCH1H100B	C CAPACITOR	10PF B	
C144	CC73HCH1H020B	C CAPACITOR	2.0PF B	K,BF,BK	C317	CC73HCH1H050B	C CAPACITOR	5.0PF B	
C144	CC73HCH1H1R5B	C CAPACITOR	1.5PF B	K2,BF2,BK2	C318	CC73HCH1H180G	C CAPACITOR	18PF G	
C145	CC73HCH1H020B	C CAPACITOR	2.0PF B	K,BF,BK	C319	CC73HCH1H120G	C CAPACITOR	12PF G	
C145	CC73HCH1H1R5B	C CAPACITOR	1.5PF B	K2,BF2,BK2	C320	CC73HCH1H101J	C CAPACITOR	100PF J	
C146	CK73HBB1H471K	C CAPACITOR	470PF K		C321	CK73HBB1H471K	C CAPACITOR	470PF K	
C147	CK73HBB1H471K	C CAPACITOR	470PF K		C322	CK73GB1H471K	C CAPACITOR	470PF K	
C148	CC73HCH1H080B	C CAPACITOR	8.0PF B	K,BF,BK	C323	CK73GB1H471K	C CAPACITOR	470PF K	
C148	CC73HCH1H090B	C CAPACITOR	9.0PF B	K2,BF2,BK2	C325	CC73GCH1H100B	C CAPACITOR	10PF B	
C149	CC73HCH1H090B	C CAPACITOR	9.0PF B	K,BF,BK	C326	CK73HBB1H222K	C CAPACITOR	0.022UF K	
C149	CC73HCH1H100B	C CAPACITOR	10PF B	K2,BF2,BK2	C327	CK73HB1H103K	C CAPACITOR	0.010UF K	
C150	CK73HB1C105K	C CAPACITOR	1.0UF K		C328	CK73GB1H183K	C CAPACITOR	0.018UF K	
C151	CC73HCH1H101J	C CAPACITOR	100PF J		C329	CK73HBB1H472K	C CAPACITOR	0.047UF K	
C152	CK73HBB1H102K	C CAPACITOR	0.010UF K		C330	CC73HCH1H470G	C CAPACITOR	47PF G	
C153	CK73HBB1H102K	C CAPACITOR	0.010UF K		C331	CK73GB1H471K	C CAPACITOR	470PF K	
C154	CC73HCH1H120G	C CAPACITOR	12PF G	K,BF,BK	C332	CK73HBB1H472K	C CAPACITOR	0.047UF K	
C154	CC73HCH1H240G	C CAPACITOR	24PF G	K2,BF2,BK2	C333	CK73HBB1H332K	C CAPACITOR	0.033UF K	
C155	CC73HCH1H150G	C CAPACITOR	15PF G	K,BF,BK	C334	CK73GB1H471K	C CAPACITOR	470PF K	
C155	CC73HCH1H330G	C CAPACITOR	33PF G	K2,BF2,BK2	C335	CK73GB1H471K	C CAPACITOR	470PF K	
C156	CK73HBB1H471K	C CAPACITOR	470PF K		C336	CC73HCH1H220G	C CAPACITOR	22PF G	
C158	CC73HCH1H010B	C CAPACITOR	1.0PF B	K,BF,BK	C338	CC73HCH1H470G	C CAPACITOR	47PF G	
C158	CC73HCH1HR75B	C CAPACITOR	0.75PF B	K2,BF2,BK2	C341	CC73HCH1H101J	C CAPACITOR	100PF J	
C159	CK73HBB1H471K	C CAPACITOR	470PF K		C343	CK73HBB1H332K	C CAPACITOR	0.033UF K	
C161	CK73FB1C106K	C CAPACITOR	10UF K		C345	CK73HBB1H471K	C CAPACITOR	470PF K	
C162	CC73HCH1H0R5B	C CAPACITOR	0.5PF B		C346	CK73HB1H103K	C CAPACITOR	0.010UF K	
C164	CK73HBB1H102K	C CAPACITOR	0.010UF K		C348	CK73HB1E473K	C CAPACITOR	0.047UF K	
C165	CC73HCH1H040B	C CAPACITOR	4.0PF B	K,BF,BK	C349	CE32BYE470M	E CAPACITOR	47UF 25WV	
C165	CC73HCH1H050B	C CAPACITOR	5.0PF B	K2,BF2,BK2	C350	C93-1866-05	C CAPACITOR	27PF G	
C166	CK73HBB1H471K	C CAPACITOR	470PF K		C351	CK73HB1E333K	C CAPACITOR	0.033UF K	
C167	CC73HCH1H040B	C CAPACITOR	4.0PF B	K,BF,BK	C356	CC73GCH1H020B	C CAPACITOR	2.0PF B	K,BF,BK
C167	CC73HCH1H050B	C CAPACITOR	5.0PF B	K2,BF2,BK2	C356	CC73GCH1H1R5B	C CAPACITOR	1.5PF K	K2,BF2,BK2
C168	CK73GB1E105K	C CAPACITOR	1.0UF K		C360	CK73GB1H471K	C CAPACITOR	470PF K	
C169	CC73HCH1H070B	C CAPACITOR	7.0PF B		C361	CK73GB1H471K	C CAPACITOR	470PF K	
C170	CC73HCH1H070B	C CAPACITOR	7.0PF B		C362	C93-1866-05	C CAPACITOR	27PF G	
C171	CC73HCH1H060B	C CAPACITOR	6.0PF B		C363	CK73GB1H471K	C CAPACITOR	470PF K	
C172	CC73HCH1H060B	C CAPACITOR	6.0PF B		C364	CC73HCH1H121J	C CAPACITOR	120PF J	
C173	CK73HBB1H471K	C CAPACITOR	470PF K		C365	CK73HB1H391K	C CAPACITOR	390PF K	
C174	CK73HBB1H471K	C CAPACITOR	470PF K		C367	CK73GB1H471K	C CAPACITOR	470PF K	
C175	CK73HBB1H471K	C CAPACITOR	470PF K		C368	CK73HBB1H471K	C CAPACITOR	470PF K	
C176	CK73HBB1H471K	C CAPACITOR	470PF K		C369	C93-1852-05	C CAPACITOR	6.0PF B	K,BF,BK
C177	CC73HCH1H0R5B	C CAPACITOR	0.5PF B		C369	C93-1846-05	C CAPACITOR	4.0PF B	K2,BF2,BK2
C178	CC73HCH1H0R5B	C CAPACITOR	0.5PF B		C370	CK73HB1E104K	C CAPACITOR	0.10UF K	
C179	CK73HBB1H102K	C CAPACITOR	0.010UF K		C371	CC73GCH1H030B	C CAPACITOR	3.0PF B	K,BF,BK
C181	CK73HBB1H471K	C CAPACITOR	470PF K		C371	CC73GCH1H040B	C CAPACITOR	4.0PF B	K2,BF2,BK2
C182	CK73HBB1H102K	C CAPACITOR	0.010UF K		C372	C93-1932-05	C CAPACITOR	100PF B	
C183	CC73HCH1H101J	C CAPACITOR	100PF J		C374	CK73HBB1H472K	C CAPACITOR	0.047UF K	
C184	CK73HBB1H471K	C CAPACITOR	470PF K	K2,BF2,BK2	C375	C93-2031-05	C CAPACITOR	8.0PF C	K,BF,BK
C185	CC73HCH1H060B	C CAPACITOR	6.0PF B	K,BF,BK	C375	C93-2043-05	C CAPACITOR	12PF B	K2,BF2,BK2
C185	CC73HCH1H070B	C CAPACITOR	7.0PF B	K2,BF2,BK2	C376	C93-1849-05	C CAPACITOR	12PF G	K2,BF2,BK2
C187	CK73HBB1H471K	C CAPACITOR	470PF K		C378	CC73HCH1H470G	C CAPACITOR	47PF G	
C189	CC73HCH1H390G	C CAPACITOR	39PF G		C380	C93-2035-05	C CAPACITOR	9.0PF C	K,BF,BK
C190	CC73HCH1H120G	C CAPACITOR	12PF G		C380	C93-2043-05	C CAPACITOR	12PF B	K2,BF2,BK2
C191	CC73HCH1H151J	C CAPACITOR	150PF J	K,BF,BK	C383	C93-1852-05	C CAPACITOR	6.0PF B	K,BF,BK
C191	CK73HBB1H102K	C CAPACITOR	0.010UF K	K2,BF2,BK2	C383	C93-1855-05	C CAPACITOR	7.0PF B	K2,BF2,BK2
C192	CC73HCH1H060B	C CAPACITOR	6.0PF B		C385	CK73HBB1H222K	C CAPACITOR	0.022UF K	

△ Symbol No.	Part No.	Part Name	Description	Local	△ Symbol No.	Part No.	Part Name	Description	Local
C386	CK73HBB1H471K	C CAPACITOR	470PF K		C600	CC73JCH1H101J	C CAPACITOR	100PF J	
C500	CK73HB1H103K	C CAPACITOR	0.010UF K		C601	CC73JCH1H101J	C CAPACITOR	100PF J	
C501	CK73HBB1H471K	C CAPACITOR	470PF K		C602	CC73JCH1H101J	C CAPACITOR	100PF J	
C502	CK73HB1H103K	C CAPACITOR	0.010UF K		C603	CC73JCH1H101J	C CAPACITOR	100PF J	
C503	CK73HBB1H471K	C CAPACITOR	470PF K		C604	CC73JCH1H101J	C CAPACITOR	100PF J	
C504	CK73HB1H103K	C CAPACITOR	0.010UF K		C605	CC73JCH1H101J	C CAPACITOR	100PF J	
C506	CK73HBB1H102K	C CAPACITOR	0.010UF K		C606	CC73JCH1H101J	C CAPACITOR	100PF J	
C507	CK73HBB1H471K	C CAPACITOR	470PF K		C607	CC73HCH1H120G	C CAPACITOR	12PF G	
C508	CC73HCH1H030B	C CAPACITOR	3.0PF B		C608	CK73HB1E104K	C CAPACITOR	0.10UF K	
C509	CK73HBB1H471K	C CAPACITOR	470PF K		C609	CK73HB1E562K	C CAPACITOR	5600PF K	
C510	CK73HBB1H102K	C CAPACITOR	0.010UF K		C610	C93-1959-05	C CAPACITOR	0.10UF B	
C511	CK73HB1H103K	C CAPACITOR	0.010UF K		C611	CC73HCH1H100B	C CAPACITOR	10PF B	
C512	CC73HCH1H070B	C CAPACITOR	7.0PF B	K,BF,BK	C612	CK73HB1A224K	C CAPACITOR	0.22UF K	
C512	CC73HCH1H100B	C CAPACITOR	10PF B	K2,BF2,BK2	C613	C93-1959-05	C CAPACITOR	0.10UF B	
C513	CC73HCH1H070B	C CAPACITOR	7.0PF B	K,BF,BK	C614	CK73HB1H123K	C CAPACITOR	0.012UF K	
C513	CC73HCH1H100B	C CAPACITOR	10PF B	K2,BF2,BK2	C615	CK73HB1E104K	C CAPACITOR	0.10UF K	
C514	CC73HCH1H1R5B	C CAPACITOR	1.5PF B	K,BF,BK	C616	CC73HCH1H390G	C CAPACITOR	39PF G	
C514	CC73HCH1H020B	C CAPACITOR	2.0PF B	K2,BF2,BK2	C617	CC73HCH1H390G	C CAPACITOR	39PF G	
C516	CC73HCH1H120G	C CAPACITOR	12PF G		C618	CK73HB1H103K	C CAPACITOR	0.010UF K	
C517	CC73HCH1H010B	C CAPACITOR	1.0PF B	K,BF,BK	C619	C93-1959-05	C CAPACITOR	0.10UF B	
C517	CC73HCH1H020B	C CAPACITOR	2.0PF B	K2,BF2,BK2	C620	CK73HB1C105K	C CAPACITOR	1.0UF K	
C518	CC73HCH1H080B	C CAPACITOR	8.0PF B	K,BF,BK	C621	CK73HB1H103K	C CAPACITOR	0.010UF K	
C518	CC73HCH1H060B	C CAPACITOR	6.0PF B	K2,BF2,BK2	C622	CK73HBB1H102K	C CAPACITOR	0.010UF K	
C519	CK73HBB1H471K	C CAPACITOR	470PF K		C623	CC73HCH1H390G	C CAPACITOR	39PF G	
C520	CK73HB1H103K	C CAPACITOR	0.010UF K		C624	CC73HCH1H390G	C CAPACITOR	39PF G	
C521	CC73HCH1H180G	C CAPACITOR	18PF G		C625	C93-1959-05	C CAPACITOR	0.10UF B	
C522	CK73HBB1H471K	C CAPACITOR	470PF K		C626	CK73HB1E104K	C CAPACITOR	0.10UF K	
C523	CC73HCH1H070B	C CAPACITOR	7.0PF B		C627	C93-1953-05	C CAPACITOR	0.10UF B	
C524	CK73HBB1H471K	C CAPACITOR	470PF K		C628	C93-1959-05	C CAPACITOR	0.10UF B	
C525	CC73HCH1H470G	C CAPACITOR	47PF G	K,BF,BK	C629	C93-1953-05	C CAPACITOR	0.10UF B	
C525	CC73HCH1H471J	C CAPACITOR	470PF J	K2,BF2,BK2	C630	C93-1959-05	C CAPACITOR	0.10UF B	
C526	CC73HCH1H050B	C CAPACITOR	5.0PF B	K,BF,BK	C631	C93-1959-05	C CAPACITOR	0.10UF B	
C526	CC73HCH1H080B	C CAPACITOR	8.0PF B	K2,BF2,BK2	C632	C93-1953-05	C CAPACITOR	0.10UF B	
C528	CC73HCH1H040B	C CAPACITOR	4.0PF B	K,BF,BK	C633	C93-1959-05	C CAPACITOR	0.10UF B	
C528	CC73HCH1H030B	C CAPACITOR	3.0PF B	K2,BF2,BK2	C634	CK73FB1C106K	C CAPACITOR	10UF K	
C529	CK73HBB1H471K	C CAPACITOR	470PF K		C635	C93-1959-05	C CAPACITOR	0.10UF B	
C530	CC73HCH1H470G	C CAPACITOR	47PF G	K,BF,BK	C636	CK73HB1C105K	C CAPACITOR	1.0UF K	
C530	CC73HCH1H471J	C CAPACITOR	470PF J	K2,BF2,BK2	C637	CK73HB1H103K	C CAPACITOR	0.010UF K	
C531	CC73HCH1H050B	C CAPACITOR	5.0PF B	K,BF,BK	C638	CK73HBB1H682K	C CAPACITOR	6800PF K	
C531	CC73HCH1H060B	C CAPACITOR	6.0PF B	K2,BF2,BK2	C639	CC73HCH1H101J	C CAPACITOR	100PF J	
C532	CC73HCH1H040B	C CAPACITOR	4.0PF B	K,BF,BK	C640	C93-1969-05	C CAPACITOR	1000PF G	
C532	CC73HCH1H020B	C CAPACITOR	2.0PF B	K2,BF2,BK2	C641	CC73HCH1H101J	C CAPACITOR	100PF J	
C533	CK73HBB1H471K	C CAPACITOR	470PF K		C642	CC73HCH1H100B	C CAPACITOR	10PF B	
C534	CK73HBB1H471K	C CAPACITOR	470PF K		C643	CC73JCH1H101J	C CAPACITOR	100PF J	
C535	CC73HCH1H470G	C CAPACITOR	47PF G	K,BF,BK	C644	C93-1953-05	C CAPACITOR	0.10UF B	
C535	CC73HCH1H471J	C CAPACITOR	470PF J	K2,BF2,BK2	C645	CC73HCH1H330G	C CAPACITOR	33PF G	
C536	CC73HCH1H060B	C CAPACITOR	6.0PF B	K,BF,BK	C646	CC73HCH1H151J	C CAPACITOR	150PF J	
C536	CC73HCH1H050B	C CAPACITOR	5.0PF B	K2,BF2,BK2	C647	C93-1959-05	C CAPACITOR	0.10UF B	
C537	CC73HCH1H080B	C CAPACITOR	8.0PF B	K,BF,BK	C648	CC73JCH1H101J	C CAPACITOR	100PF J	
C537	CC73HCH1H060B	C CAPACITOR	6.0PF B	K2,BF2,BK2	C649	CC73HCH1H100B	C CAPACITOR	10PF B	
C538	CK73HBB1H471K	C CAPACITOR	470PF K		C650	CC73HCH1H101J	C CAPACITOR	100PF J	
C539	CC73HCH1H470G	C CAPACITOR	47PF G	K,BF,BK	C651	C93-1959-05	C CAPACITOR	0.10UF B	
C539	CC73HCH1H471J	C CAPACITOR	470PF J	K2,BF2,BK2	C652	C93-1959-05	C CAPACITOR	0.10UF B	
C540	CK73HBB1H471K	C CAPACITOR	470PF K		C653	CC73HCH1H560J	C CAPACITOR	56PF J	
C541	CK73GXR1H104K	C CAPACITOR	0.1UF K		C654	CK73HBB1H102K	C CAPACITOR	0.010UF K	
C542	CK73HBB1H102K	C CAPACITOR	0.010UF K		C655	CK73HB1H103K	C CAPACITOR	0.010UF K	
C543	CK73HBB1H471K	C CAPACITOR	470PF K		C656	CC73HCH1H100B	C CAPACITOR	10PF B	
C544	CK73HBB1H471K	C CAPACITOR	470PF K		C657	CC73HCH1H060B	C CAPACITOR	6.0PF B	
C545	CC73HCH1H080B	C CAPACITOR	8.0PF B		C658	CK73HB1H103K	C CAPACITOR	0.010UF K	
C546	CK73HBB1H471K	C CAPACITOR	470PF K		C659	CK73HB1H103K	C CAPACITOR	0.010UF K	
C548	CC73HCH1H120G	C CAPACITOR	12PF G		C660	CC73HCH1H120G	C CAPACITOR	12PF G	
C549	CC73HCH1H040B	C CAPACITOR	4.0PF B		C661	CK73HBB1H102K	C CAPACITOR	0.010UF K	
C550	CK73HBB1H471K	C CAPACITOR	470PF K		C662	CK73HBB1H102K	C CAPACITOR	0.010UF K	
C551	CC73HCH1H220G	C CAPACITOR	22PF G	K,BF,BK	C663	CK73HB1H103K	C CAPACITOR	0.010UF K	
C551	CC73HCH1H390G	C CAPACITOR	39PF G	K2,BF2,BK2	C665	CC73HCH1H080B	C CAPACITOR	8.0PF B	
C552	CC73HCH1H030B	C CAPACITOR	3.0PF B		C666	CC73HCH1H220G	C CAPACITOR	22PF G	
C553	CC73HCH1H020B	C CAPACITOR	2.0PF B		C667	CC73HCH1H060B	C CAPACITOR	6.0PF B	
C554	CC73HCH1H030B	C CAPACITOR	3.0PF B		C668	CC73HCH1H180G	C CAPACITOR	18PF G	
C555	CK73HBB1H471K	C CAPACITOR	470PF K		C669	CC73HCH1H020B	C CAPACITOR	2.0PF B	
C556	CC73HCH1H220G	C CAPACITOR	22PF G	K,BF,BK	C670	CC73HCH1H020B	C CAPACITOR	2.0PF B	
C556	CC73HCH1H390G	C CAPACITOR	39PF G	K2,BF2,BK2	C671	CC73HCH1H180G	C CAPACITOR	18PF G	
C557	CC73HCH1H040B	C CAPACITOR	4.0PF B		C681	CK73HBB1H471K	C CAPACITOR	470PF K	
C558	CC73HCH1H040B	C CAPACITOR	4.0PF B	K,BF,BK	C700	CK73HB1C105K	C CAPACITOR	1.0UF K	
C558	CC73HCH1H050B	C CAPACITOR	5.0PF B	K2,BF2,BK2	C701	C93-1959-05	C CAPACITOR	0.10UF B	
C559	CC73HCH1H060B	C CAPACITOR	6.0PF B		C702	C93-1959-05	C CAPACITOR	0.10UF B	
C560	CK73HBB1H471K	C CAPACITOR	470PF K		C703	CK73FXR0J226M	C CAPACITOR	22UF M	
C562	CK73HBB1H471K	C CAPACITOR	470PF K		C704	CK73HB1H103K	C CAPACITOR	0.010UF K	
C563	CK73HBB1H471K	C CAPACITOR	470PF K		C705	C93-1959-05	C CAPACITOR	0.10UF B	

△ Symbol No.	Part No.	Part Name	Description	Local	△ Symbol No.	Part No.	Part Name	Description	Local
C706	C93-1959-05	C CAPACITOR	0.10UF B		C795	CK73HB1H103K	C CAPACITOR	0.010UF K	
C707	CK73FXR0J226M	C CAPACITOR	22UF M		C796	CK73HB1H103K	C CAPACITOR	0.010UF K	
C708	CK73GB0J106K	C CAPACITOR	10UF K		C797	CK73HB1H103K	C CAPACITOR	0.010UF K	
C709	C93-1959-05	C CAPACITOR	0.10UF B		C798	CK73GB1E105K	C CAPACITOR	1.0UF K	
C711	C93-1959-05	C CAPACITOR	0.10UF B		C799	CK73HB1E104K	C CAPACITOR	0.10UF K	
C712	C93-1959-05	C CAPACITOR	0.10UF B		C800	CK73HB1H103K	C CAPACITOR	0.010UF K	
C713	C93-1959-05	C CAPACITOR	0.10UF B		C801	CC73HCH1H101J	C CAPACITOR	100PF J	
C714	C93-1959-05	C CAPACITOR	0.10UF B		C802	CK73HB1C105K	C CAPACITOR	1.0UF K	
C715	C93-1959-05	C CAPACITOR	0.10UF B		C803	C93-1959-05	C CAPACITOR	0.10UF B	
C716	C93-1959-05	C CAPACITOR	0.10UF B		C804	C93-1959-05	C CAPACITOR	0.10UF B	
C717	C93-1959-05	C CAPACITOR	0.10UF B		C805	CC73HCH1H101J	C CAPACITOR	100PF J	
C718	C93-1959-05	C CAPACITOR	0.10UF B		C806	C93-1959-05	C CAPACITOR	0.10UF B	
C719	CC73JCH1H101J	C CAPACITOR	100PF J		C807	CK73HB1H103K	C CAPACITOR	0.010UF K	
C720	CK73HB1E104K	C CAPACITOR	0.10UF K		C808	CC73HCH1H101J	C CAPACITOR	100PF J	
C721	C93-1959-05	C CAPACITOR	0.10UF B		C809	CC73HCH1H101J	C CAPACITOR	100PF J	
C722	CC73JCH1H101J	C CAPACITOR	100PF J		C810	CC73HCH1H101J	C CAPACITOR	100PF J	
C723	C93-1959-05	C CAPACITOR	0.10UF B		C811	C93-1959-05	C CAPACITOR	0.10UF B	
C724	C93-1959-05	C CAPACITOR	0.10UF B		C812	CC73HCH1H101J	C CAPACITOR	100PF J	
C725	CC73JCH1H101J	C CAPACITOR	100PF J		C813	CC73HCH1H101J	C CAPACITOR	100PF J	
C726	C93-1953-05	C CAPACITOR	0.10UF B		C814	CC73HCH1H101J	C CAPACITOR	100PF J	
C728	CK73GB0J106K	C CAPACITOR	10UF K		C815	CC73HCH1H101J	C CAPACITOR	100PF J	
C729	CK73HB1H103K	C CAPACITOR	0.010UF K		C816	CC73HCH1H101J	C CAPACITOR	100PF J	
C730	CK73GB0J106K	C CAPACITOR	10UF K		C817	CK73HBB1H102K	C CAPACITOR	0.010UF K	
C731	C93-1959-05	C CAPACITOR	0.10UF B		C818	CC73HCH1H101J	C CAPACITOR	100PF J	
C732	C93-1959-05	C CAPACITOR	0.10UF B		C819	CK73HB1H103K	C CAPACITOR	0.010UF K	
C733	C93-1959-05	C CAPACITOR	0.10UF B		C820	CK73HB1E104K	C CAPACITOR	0.10UF K	
C734	C93-1959-05	C CAPACITOR	0.10UF B		C821	CC73HCH1H101J	C CAPACITOR	100PF J	
C735	CC73JCH1H101J	C CAPACITOR	100PF J		C822	CC73HCH1H101J	C CAPACITOR	100PF J	
C736	C93-1959-05	C CAPACITOR	0.10UF B		C824	CK73HBB1H102K	C CAPACITOR	0.010UF K	
C737	CC73JCH1H101J	C CAPACITOR	100PF J		C829	CK73HB1C105K	C CAPACITOR	1.0UF K	
C738	CC73JCH1H101J	C CAPACITOR	100PF J		C830	C93-1959-05	C CAPACITOR	0.10UF B	
C739	CK73GB0J106K	C CAPACITOR	10UF K		C831	C93-1959-05	C CAPACITOR	0.10UF B	
C740	CK73HB1H103K	C CAPACITOR	0.010UF K		C834	CK73HB1C105K	C CAPACITOR	1.0UF K	
C741	C93-1959-05	C CAPACITOR	0.10UF B		C835	CC73HCH1H101J	C CAPACITOR	100PF J	
C742	CK73GB0J106K	C CAPACITOR	10UF K		C839	CK73HB1E104K	C CAPACITOR	0.10UF K	
C743	C93-1953-05	C CAPACITOR	0.10UF B		C841	CK73HB1E104K	C CAPACITOR	0.10UF K	
C745	C93-1959-05	C CAPACITOR	0.10UF B		C852	CK73HB1E104K	C CAPACITOR	0.10UF K	
C746	CK73GB0J106K	C CAPACITOR	10UF K		C853	CK73HB1H103K	C CAPACITOR	0.010UF K	
C747	CK73GB0J106K	C CAPACITOR	10UF K		C854	CK73HBB1H102K	C CAPACITOR	0.010UF K	
C748	CC73HCH1H100B	C CAPACITOR	10PF B		C856	CC73HCH1H470G	C CAPACITOR	47PF G	
C749	C93-1959-05	C CAPACITOR	0.10UF B		C857	CC73HCH1H470G	C CAPACITOR	47PF G	
C750	CK73GB0J106K	C CAPACITOR	10UF K		C898	CK73GB1E105K	C CAPACITOR	1.0UF K	
C751	C93-1959-05	C CAPACITOR	0.10UF B		C899	CK73GB0J106K	C CAPACITOR	10UF K	
C752	C93-1959-05	C CAPACITOR	0.10UF B		C900	CK73HB1H103K	C CAPACITOR	0.010UF K	
C754	C93-1959-05	C CAPACITOR	0.10UF B		C901	CK73HB1E104K	C CAPACITOR	0.10UF K	
C755	C93-1959-05	C CAPACITOR	0.10UF B		C902	CK73HB1E104K	C CAPACITOR	0.10UF K	
C756	C93-1959-05	C CAPACITOR	0.10UF B		C903	CK73HBB1H102K	C CAPACITOR	0.010UF K	
C757	CK73HB1H103K	C CAPACITOR	0.010UF K		C904	CK73HB1C105K	C CAPACITOR	1.0UF K	
C758	C93-1959-05	C CAPACITOR	0.10UF B		C905	CK73HB1E104K	C CAPACITOR	0.10UF K	
C759	CC73JCH1H101J	C CAPACITOR	100PF J		C906	CK73HB1C105K	C CAPACITOR	1.0UF K	
C760	C93-1959-05	C CAPACITOR	0.10UF B		C908	C93-1959-05	C CAPACITOR	0.10UF B	
C762	C93-1959-05	C CAPACITOR	0.10UF B		C909	CK73HB1C105K	C CAPACITOR	1.0UF K	
C764	C93-1959-05	C CAPACITOR	0.10UF B		C910	C93-1959-05	C CAPACITOR	0.10UF B	
C766	C93-1959-05	C CAPACITOR	0.10UF B		C911	C93-1959-05	C CAPACITOR	0.10UF B	
C768	C93-1953-05	C CAPACITOR	0.10UF B		C912	C93-1959-05	C CAPACITOR	0.10UF B	
C769	CK73HB1C105K	C CAPACITOR	1.0UF K		C913	C93-1959-05	C CAPACITOR	0.10UF B	
C770	CK73HB1C105K	C CAPACITOR	1.0UF K		C914	C93-1959-05	C CAPACITOR	0.10UF B	
C771	C93-1959-05	C CAPACITOR	0.10UF B		C915	CK73HB1E104K	C CAPACITOR	0.10UF K	
C772	C93-1959-05	C CAPACITOR	0.10UF B		C916	CK73GB0J106K	C CAPACITOR	10UF K	
C773	C93-1959-05	C CAPACITOR	0.10UF B		C917	CK73HB1C105K	C CAPACITOR	1.0UF K	
C774	C93-1959-05	C CAPACITOR	0.10UF B		C918	C93-1959-05	C CAPACITOR	0.10UF B	
C775	C93-1959-05	C CAPACITOR	0.10UF B		C919	CK73HB1C105K	C CAPACITOR	1.0UF K	
C776	C93-1959-05	C CAPACITOR	0.10UF B		C920	C93-1959-05	C CAPACITOR	0.10UF B	
C777	C93-1959-05	C CAPACITOR	0.10UF B		C921	CC73HCH1H101J	C CAPACITOR	100PF J	
C778	C93-1959-05	C CAPACITOR	0.10UF B		C922	CK73HBB1H472K	C CAPACITOR	0.047UF K	
C779	CK73HB1C105K	C CAPACITOR	1.0UF K		C924	CK73HB1C105K	C CAPACITOR	1.0UF K	
C780	C93-1959-05	C CAPACITOR	0.10UF B		C925	CK73HB1C105K	C CAPACITOR	1.0UF K	
C781	CC73HCH1H150G	C CAPACITOR	15PF G		C926	CK73HB1C105K	C CAPACITOR	1.0UF K	
C782	CC73HCH1H150G	C CAPACITOR	15PF G		C927	CK73HB1C105K	C CAPACITOR	1.0UF K	
C783	CK73HB1E104K	C CAPACITOR	0.10UF K		C928	CK73GB0J106K	C CAPACITOR	10UF K	
C784	CK73HB1A224K	C CAPACITOR	0.22UF K		C929	CK73HB1E104K	C CAPACITOR	0.10UF K	
C785	CK73GB0J106K	C CAPACITOR	10UF K		C930	CC73HCH1H680J	C CAPACITOR	68PF J	
C786	CK73GB0J106K	C CAPACITOR	10UF K		C931	CK73HB1A474K	C CAPACITOR	0.47UF K	
C787	CK73HB1E104K	C CAPACITOR	0.10UF K		C932	CK73GB0J106K	C CAPACITOR	10UF K	
C791	C93-1959-05	C CAPACITOR	0.10UF B		C933	CK73HB1H103K	C CAPACITOR	0.010UF K	
C792	C93-1959-05	C CAPACITOR	0.10UF B		C934	CK73HB1H103K	C CAPACITOR	0.010UF K	
C793	CK73HBB1H102K	C CAPACITOR	0.010UF K		C935	CC73HCH1H101J	C CAPACITOR	100PF J	
C794	CK73HBB1H102K	C CAPACITOR	0.010UF K		C936	CK73GB0J106K	C CAPACITOR	10UF K	

△ Symbol No.	Part No.	Part Name	Description	Local	△ Symbol No.	Part No.	Part Name	Description	Local
C937	CK73GB1E105K	C CAPACITOR	1.0UF K		R22	RK73JB1H103J	MG RESISTOR	10K J 1/20W	
C938	CK73HB1H103K	C CAPACITOR	0.010UF K		R23	RK73JB1H102J	MG RESISTOR	1.0K J 1/20W	
C940	CK73HBB1H102K	C CAPACITOR	0.010UF K		R24	RK73JB1H104J	MG RESISTOR	100K J 1/20W	
C941	CC73HCH1H101J	C CAPACITOR	100PF J		R25	RK73JB1H472J	MG RESISTOR	4.7K J 1/20W	
C942	CK73HB1H103K	C CAPACITOR	0.010UF K		R26	RK73JB1H102J	MG RESISTOR	1.0K J 1/20W	
C943	CK73HB1E104K	C CAPACITOR	0.10UF K		R27	RK73JB1H103J	MG RESISTOR	10K J 1/20W	
C944	CK73GB1E105K	C CAPACITOR	1.0UF K		R29	RK73JB1H473J	MG RESISTOR	47K J 1/20W	
C945	CK73HB1H103K	C CAPACITOR	0.010UF K		R30	RK73HB1J223J	MG RESISTOR	22K J 1/16W	
C946	CK73HB1H103K	C CAPACITOR	0.010UF K		R31	RK73HB1J000J	MG RESISTOR	0.0 J 1/16W	
C947	CK73HBB1H102K	C CAPACITOR	0.010UF K		R32	RK73HB1J101J	MG RESISTOR	100 J 1/16W	
C948	CK73GB1E105K	C CAPACITOR	1.0UF K		R33	RK73HB1J103J	MG RESISTOR	10K J 1/16W	
C949	CK73GB1E105K	C CAPACITOR	1.0UF K		R34	RK73HH1J333D	MG RESISTOR	33K D 1/16W	
C950	CK73GB1E105K	C CAPACITOR	1.0UF K		R35	RK73HH1J103D	MG RESISTOR	10K D 1/16W	
C951	CK73GB1E105K	C CAPACITOR	1.0UF K		R36	RK73HB1J103J	MG RESISTOR	10K J 1/16W	
C952	CK73HBB1H102K	C CAPACITOR	0.010UF K		R37	RK73HB1J101J	MG RESISTOR	100 J 1/16W	
C953	CC73HCH1H101J	C CAPACITOR	100PF J		R38	RK73HB1J224J	MG RESISTOR	220K J 1/16W	
C954	CC73HCH1H101J	C CAPACITOR	100PF J		R39	RK73HB1J104J	MG RESISTOR	100K J 1/16W	
C955	CC73HCH1H101J	C CAPACITOR	100PF J		R40	RK73JB1H104J	MG RESISTOR	100K J 1/20W	
C956	CC73HCH1H101J	C CAPACITOR	100PF J		R41	RK73JB1H104J	MG RESISTOR	100K J 1/20W	
C957	CC73HCH1H101J	C CAPACITOR	100PF J		R42	RK73JB1H473J	MG RESISTOR	47K J 1/20W	
C958	CC73HCH1H101J	C CAPACITOR	100PF J		R43	RK73HB1J000J	MG RESISTOR	0.0 J 1/16W	
C959	CC73HCH1H101J	C CAPACITOR	100PF J		R44	RK73JB1H102J	MG RESISTOR	1.0K J 1/20W	
C960	CC73HCH1H101J	C CAPACITOR	100PF J		R45	RK73HB1J103J	MG RESISTOR	10K J 1/16W	
C961	CC73HCH1H101J	C CAPACITOR	100PF J		R46	RK73JB1H104J	MG RESISTOR	100K J 1/20W	
C962	CC73HCH1H101J	C CAPACITOR	100PF J		R47	RK73HB1J000J	MG RESISTOR	0.0 J 1/16W	
C963	CC73HCH1H101J	C CAPACITOR	100PF J		R48	RK73HH1J103D	MG RESISTOR	10K D 1/16W	
C964	CK73HB1E473K	C CAPACITOR	0.047UF K		R49	RK73HH1J473D	MG RESISTOR	47K D 1/16W	
C965	CC73HCH1H101J	C CAPACITOR	100PF J		R50	RK73HH1J103D	MG RESISTOR	10K D 1/16W	
C966	CC73HCH1H101J	C CAPACITOR	100PF J		R51	RK73HB1J222J	MG RESISTOR	2.2K J 1/16W	
C967	CK73HBB1H102K	C CAPACITOR	0.010UF K		R52	RK73HB1J102J	MG RESISTOR	1.0K J 1/16W	
C968	CC73HCH1H101J	C CAPACITOR	100PF J		R53	RK73HB1J000J	MG RESISTOR	0.0 J 1/16W	
C969	C92-0906-05	ELECTRO	330UF 16WV		R54	R92-3769-05	METAL-R	10 J 1/4W	
C970	CK73HB1H103K	C CAPACITOR	0.010UF K		R55	R92-3769-05	METAL-R	10 J 1/4W	
C971	CE32BY1E470M	E CAPACITOR	47UF 25WV		R56	RK73HB1J334J	MG RESISTOR	330K J 1/16W	
C972	CK73HB1E104K	C CAPACITOR	0.10UF K		R57	RK73HB1J223J	MG RESISTOR	22K J 1/16W	
C973	CK73HB1E104K	C CAPACITOR	0.10UF K		R58	RK73HB1J102J	MG RESISTOR	1.0K J 1/16W	
C975	CC73HCH1H101J	C CAPACITOR	100PF J		R59	RK73HB1J100J	MG RESISTOR	10 J 1/16W	
C976	CC73HCH1H101J	C CAPACITOR	100PF J		R60	RK73HB1J474J	MG RESISTOR	470K J 1/16W	
C977	CK73HBB1H102K	C CAPACITOR	0.010UF K		R61	RK73HB1J102J	MG RESISTOR	1.0K J 1/16W	
C978	CK73HBB1H471K	C CAPACITOR	470PF K		R62	RK73HB1J102J	MG RESISTOR	1.0K J 1/16W	
C979	CC73HCH1H101J	C CAPACITOR	100PF J		R63	RK73HH1J273D	MG RESISTOR	27K D 1/16W	
C980	CC73HCH1H101J	C CAPACITOR	100PF J		R64	RK73HH1J152D	MG RESISTOR	1.5K D 1/16W	
C981	CK73HBB1H102K	C CAPACITOR	0.010UF K		R65	RK73HH1J472D	MG RESISTOR	4.7K D 1/16W	
C982	CC73HCH1H101J	C CAPACITOR	100PF J		R66	RK73HB1J103J	MG RESISTOR	10K J 1/16W	
C983	CC73HCH1H101J	C CAPACITOR	100PF J		R67	RK73HB1J472J	MG RESISTOR	4.7K J 1/16W	
C984	CC73HCH1H101J	C CAPACITOR	100PF J		R68	RK73HB1J103J	MG RESISTOR	10K J 1/16W	
C985	CC73HCH1H101J	C CAPACITOR	100PF J		R69	RK73HB1J472J	MG RESISTOR	4.7K J 1/16W	
C986	CC73HCH1H101J	C CAPACITOR	100PF J		R70	RK73HB1J000J	MG RESISTOR	0.0 J 1/16W	
C987	CC73HCH1H101J	C CAPACITOR	100PF J		R71	RK73HB1J331J	MG RESISTOR	330 J 1/16W	
C988	CC73HCH1H101J	C CAPACITOR	100PF J		R72	RK73JB1H473J	MG RESISTOR	47K J 1/20W	
C989	CC73HCH1H101J	C CAPACITOR	100PF J		R73	RK73HB1J471J	MG RESISTOR	470 J 1/16W	
C990	CC73HCH1H101J	C CAPACITOR	100PF J		R75	RK73HB1J474J	MG RESISTOR	470K J 1/16W	
C991	CC73HCH1H101J	C CAPACITOR	100PF J		R76	RK73FB2B332J	MG RESISTOR	3.3K J 1/8W	
C992	CC73HCH1H101J	C CAPACITOR	100PF J		R77	RK73FB2B332J	MG RESISTOR	3.3K J 1/8W	
C993	CC73HCH1H101J	C CAPACITOR	100PF J		R78	RK73FB2B332J	MG RESISTOR	3.3K J 1/8W	
C994	CC73HCH1H101J	C CAPACITOR	100PF J		R84	RK73HB1J000J	MG RESISTOR	0.0 J 1/16W	
C995	CC73HCH1H101J	C CAPACITOR	100PF J		R96	RK73FB2B2R7J	MG RESISTOR	2.7 J 1/16W	
C996	CC73HCH1H101J	C CAPACITOR	100PF J		R97	RK73FB2B3R3J	MG RESISTOR	3.3 J 1/16W	
C997	CK73HBB1H102K	C CAPACITOR	0.010UF K		R100	RK73HB1J821J	MG RESISTOR	820 J 1/16W	
C998	CK73HBB1H102K	C CAPACITOR	0.010UF K		R101	RK73HB1J100J	MG RESISTOR	10 J 1/16W	
C999	CK73HB1C105K	C CAPACITOR	1.0UF K		R102	RK73HB1J000J	MG RESISTOR	0.0 J 1/16W	
					R103	RK73HB1J100J	MG RESISTOR	10 J 1/16W	
R2	RK73HB1J000J	MG RESISTOR	0.0 J 1/16W		R104	RK73HB1J100J	MG RESISTOR	10 J 1/16W	
R3	RK73HB1J000J	MG RESISTOR	0.0 J 1/16W	K,BF,BK	R105	RK73HB1J474J	MG RESISTOR	470K J 1/16W	
R4	RK73HB1J000J	MG RESISTOR	0.0 J 1/16W	K2,BF2,BK2	R106	RK73HB1J473J	MG RESISTOR	47K J 1/16W	
R8	RK73HB1J104J	MG RESISTOR	100K J 1/16W		R107	RK73HB1J102J	MG RESISTOR	1.0K J 1/16W	
R10	RK73HH1J104D	MG RESISTOR	100K D 1/16W		R108	RK73HB1J102J	MG RESISTOR	1.0K J 1/16W	
R11	RK73HH1J104D	MG RESISTOR	100K D 1/16W		R109	RK73HB1J470J	MG RESISTOR	47 J 1/16W	
R12	RK73HB1J000J	MG RESISTOR	0.0 J 1/16W		R110	RK73HB1J102J	MG RESISTOR	1.0K J 1/16W	
R13	RK73HH1J104D	MG RESISTOR	100K D 1/16W		R111	RK73HB1J223J	MG RESISTOR	22K J 1/16W	
R14	RK73HH1J223D	MG RESISTOR	22K D 1/16W		R112	RK73HB1J000J	MG RESISTOR	0.0 J 1/16W	
R15	RK73HB1J103J	MG RESISTOR	10K J 1/16W		R113	RK73HB1J124J	MG RESISTOR	120K J 1/16W	
R16	RK73JB1H102J	MG RESISTOR	1.0K J 1/20W		R115	RK73HB1J000J	MG RESISTOR	0.0 J 1/16W	
R17	RK73HB1J103J	MG RESISTOR	10K J 1/16W		R116	RK73HB1J000J	MG RESISTOR	0.0 J 1/16W	
R18	RK73JB1H104J	MG RESISTOR	100K J 1/20W		R117	RK73HB1J000J	MG RESISTOR	0.0 J 1/16W	
R19	RK73HB1J473J	MG RESISTOR	47K J 1/16W		R118	RK73HB1J222J	MG RESISTOR	2.2K J 1/16W	
R20	RK73GB2A000J	MG RESISTOR	0.0 J 1/10W		R119	RK73HB1J474J	MG RESISTOR	470K J 1/16W	
R21	RK73HB1J104J	MG RESISTOR	100K J 1/16W		R121	RK73HB1J151J	MG RESISTOR	150 J 1/16W	

△ Symbol No.	Part No.	Part Name	Description	Local	△ Symbol No.	Part No.	Part Name	Description	Local
R122	RK73HB1J472J	MG RESISTOR	4.7K J 1/16W		R318	RK73HB1J473J	MG RESISTOR	47K J 1/16W	
R123	RK73HB1J104J	MG RESISTOR	100K J 1/16W		R319	RK73HB1J222J	MG RESISTOR	2.2K J 1/16W	
R124	RK73HH1J391D	MG RESISTOR	390 D 1/16W		R321	RK73HB1J222J	MG RESISTOR	2.2K J 1/16W	
R125	RK73HB1J103J	MG RESISTOR	10K J 1/16W		R322	RK73HB1J103J	MG RESISTOR	10K J 1/16W	
R126	RK73HB1J106J	MG RESISTOR	10M J 1/16W		R323	RK73GB2A560J	MG RESISTOR	56 J 1/10W	
R127	RK73HB1J472J	MG RESISTOR	4.7K J 1/16W		R324	RK73HB1J223J	MG RESISTOR	22K J 1/16W	
R128	RK73HB1J470J	MG RESISTOR	47 J 1/16W		R325	RK73HB1J223J	MG RESISTOR	22K J 1/16W	
R129	RK73HB1J104J	MG RESISTOR	100K J 1/16W		R327	RK73HB1J223J	MG RESISTOR	22K J 1/16W	
R130	RK73HB1J223J	MG RESISTOR	22K J 1/16W		R328	RK73HB1J104J	MG RESISTOR	100K J 1/16W	
R131	RK73HB1J223J	MG RESISTOR	22K J 1/16W		R329	RK73HB1J470J	MG RESISTOR	47 J 1/16W	
R132	RK73HB1J000J	MG RESISTOR	0.0 J 1/16W		R330	RK73GB2A271J	MG RESISTOR	270 J 1/10W	
R133	RK73HB1J000J	MG RESISTOR	0.0 J 1/16W		R332	RK73GB2A390J	MG RESISTOR	39 J 1/10W	
R135	RK73HB1J123J	MG RESISTOR	12K J 1/16W		R333	RK73HB1J103J	MG RESISTOR	10K J 1/16W	
R136	RK73HB1J223J	MG RESISTOR	22K J 1/16W		R334	RK73HB1J103J	MG RESISTOR	10K J 1/16W	
R137	RK73HB1J223J	MG RESISTOR	22K J 1/16W		R335	RK73HB1J222J	MG RESISTOR	2.2K J 1/16W K,BF,BK	
R138	RK73HB1J473J	MG RESISTOR	47K J 1/16W		R335	RK73HB1J272J	MG RESISTOR	2.7K J 1/16W K2,BF2,BK2	
R139	RK73HB1J473J	MG RESISTOR	47K J 1/16W		R336	RK73HB1J221J	MG RESISTOR	220 J 1/16W	
R141	RK73HB1J103J	MG RESISTOR	10K J 1/16W		R337	RK73GB2A271J	MG RESISTOR	270 J 1/10W	
R142	RK73HB1J104J	MG RESISTOR	100K J 1/16W		R338	RK73GB2A390J	MG RESISTOR	39 J 1/10W	
R143	RK73HB1J472J	MG RESISTOR	4.7K J 1/16W		R339	RK73HB1J223J	MG RESISTOR	22K J 1/16W	
R144	RK73HB1J000J	MG RESISTOR	0.0 J 1/16W		R340	RK73HB1J223J	MG RESISTOR	22K J 1/16W	
R145	RK73HB1J474J	MG RESISTOR	470K J 1/16W		R341	RK73GB2A331J	MG RESISTOR	330 J 1/10W	
R146	RK73HB1J330J	MG RESISTOR	33 J 1/16W		R342	RK73HB1J103J	MG RESISTOR	10K J 1/16W	
R147	RK73HB1J101J	MG RESISTOR	100 J 1/16W K,BF,BK		R343	RK73HB1J271J	MG RESISTOR	270 J 1/16W	
R147	RK73HB1J151J	MG RESISTOR	150 J 1/16W K2,BF2,BK2		R345	RK73GB2A562J	MG RESISTOR	5.6K J 1/10W	
R148	RK73HB1J103J	MG RESISTOR	10K J 1/16W K,BF,BK		R346	RK73HB1J000J	MG RESISTOR	0.0 J 1/16W	
R148	RK73HB1J822J	MG RESISTOR	8.2K J 1/16W K2,BF2,BK2		R347	RK73HB1J223J	MG RESISTOR	22K J 1/16W	
R149	RK73HB1J392J	MG RESISTOR	3.9K J 1/16W K,BF,BK		R348	RK73HB1J153J	MG RESISTOR	15K J 1/16W	
R149	RK73HB1J472J	MG RESISTOR	4.7K J 1/16W K2,BF2,BK2		R350	RK73GB2A332J	MG RESISTOR	3.3K J 1/10W	
R150	RN73H0AJ181D	MF RESISTOR	180 J 1/16W		R355	RK73HB1J104J	MG RESISTOR	100K J 1/16W	
R151	RN73HH1J151D	MG RESISTOR	150 D 1/16W		R356	RK73HB1J182J	MG RESISTOR	1.8K J 1/16W	
R152	RN73HH1J100D	MG RESISTOR	10 D 1/16W		R357	RK73HB1J223J	MG RESISTOR	22K J 1/16W	
R153	RN73HH1J100D	MG RESISTOR	10 D 1/16W		R358	RK73HB1J223J	MG RESISTOR	22K J 1/16W	
R154	RK73HB1J474J	MG RESISTOR	470K J 1/16W		R359	RK73HB1J104J	MG RESISTOR	100K J 1/16W	
R155	RK73HB1J000J	MG RESISTOR	0.0 J 1/16W		R360	RK73HB1J223J	MG RESISTOR	22K J 1/16W	
R156	RK73HB1J000J	MG RESISTOR	0.0 J 1/16W		R364	RK73HB1J222J	MG RESISTOR	2.2K J 1/16W	
R157	RK73HB1J102J	MG RESISTOR	1.0K J 1/16W		R365	RK73HB1J471J	MG RESISTOR	470 J 1/16W	
R158	RK73HB1J331J	MG RESISTOR	330 J 1/16W		R366	RK73HB1J104J	MG RESISTOR	100K J 1/16W	
R159	RK73HB1J270J	MG RESISTOR	27 J 1/16W		R368	RK73HB1J223J	MG RESISTOR	22K J 1/16W	
R160	RK73HB1J392J	MG RESISTOR	3.9K J 1/16W K2,BF2,BK2		R369	RK73GB2A681J	MG RESISTOR	680 J 1/10W K,BF,BK	
R161	RK73HB1J331J	MG RESISTOR	330 J 1/16W		R369	RK73GB2A391J	MG RESISTOR	390 J 1/16W K2,BF2,BK2	
R162	RK73HB1J473J	MG RESISTOR	47K J 1/16W		R371	RK73HB1J470J	MG RESISTOR	47 J 1/16W	
R163	RK73HB1J104J	MG RESISTOR	100K J 1/16W K,BF,BK		R374	RK73HB1J223J	MG RESISTOR	22K J 1/16W	
R163	RK73HB1J562J	MG RESISTOR	5.6K J 1/16W K2,BF2,BK2		R375	RK73HB1J223J	MG RESISTOR	22K J 1/16W	
R164	RK73HB1J000J	MG RESISTOR	0.0 J 1/16W K,BF,BK		R377	RK73FB2B910J	MG RESISTOR	91 J 1/8W K,BF,BK	
R164	RK73HB1J121J	MG RESISTOR	120 J 1/16W K2,BF2,BK2		R377	RK73FB2B101J	MG RESISTOR	100 J 1/8W K2,BF2,BK2	
R165	RK73HB1J101J	MG RESISTOR	100 J 1/16W		R378	RK73HB1J101J	MG RESISTOR	100 J 1/16W	
R166	RK73HB1J331J	MG RESISTOR	330 J 1/16W		R379	RK73HB1J333J	MG RESISTOR	33K J 1/16W	
R167	RK73HB1J270J	MG RESISTOR	27 J 1/16W		R380	RK73HB1J223J	MG RESISTOR	22K J 1/16W	
R168	RK73HB1J331J	MG RESISTOR	330 J 1/16W		R381	RK73HB1J223J	MG RESISTOR	22K J 1/16W	
R169	RK73HB1J103J	MG RESISTOR	10K J 1/16W		R384	RK73HB1J000J	MG RESISTOR	0.0 J 1/16W	
R170	RK73HB1J822J	MG RESISTOR	8.2K J 1/16W		R385	RK73HB1J470J	MG RESISTOR	47 J 1/16W	
R171	RK73HB1J101J	MG RESISTOR	100 J 1/16W		R386	RK73HB1J103J	MG RESISTOR	10K J 1/16W	
R172	RK73HB1J151J	MG RESISTOR	150 J 1/16W K,BF,BK		R387	RK73GB2A560J	MG RESISTOR	56 J 1/10W	
R172	RK73HB1J181J	MG RESISTOR	180 J 1/16W K2,BF2,BK2		R388	RK73FB2B101J	MG RESISTOR	100 J 1/8W K,BF,BK	
R173	RK73HB1J272J	MG RESISTOR	2.7K J 1/16W		R388	RK73FB2B820J	MG RESISTOR	82 J 1/8W K2,BF2,BK2	
R174	RK73HB1J470J	MG RESISTOR	47 J 1/16W		R389	RK73GB2A000J	MG RESISTOR	0.0 J 1/10W	
R175	RK73HB1J000J	MG RESISTOR	0.0 J 1/16W		R391	RK73HB1J102J	MG RESISTOR	1.0K J 1/16W	
R176	RK73HB1J472J	MG RESISTOR	4.7K J 1/16W		R393	RK73GB2A560J	MG RESISTOR	56 J 1/10W K2,BF2,BK2	
R177	RK73GB2A000J	MG RESISTOR	0.0 J 1/10W		R394	RK73HB1J183J	MG RESISTOR	18K J 1/16W	
R178	RK73HB1J474J	MG RESISTOR	470K J 1/16W		R395	RK73HB1J223J	MG RESISTOR	22K J 1/16W	
R179	RK73HB1J102J	MG RESISTOR	1.0K J 1/16W		R396	RK73HB1J223J	MG RESISTOR	22K J 1/16W	
R300	RK73HB1J332J	MG RESISTOR	3.3K J 1/16W		R397	RK73PB2H470J	MG RESISTOR	47 J 1/2W	
R301	RK73HB1J221J	MG RESISTOR	220 J 1/16W		R398	RK73HB1J223J	MG RESISTOR	22K J 1/16W	
R303	RK73HB1J220J	MG RESISTOR	22 J 1/16W		R399	RK73PB2H470J	MG RESISTOR	47 J 1/2W	
R304	RK73HB1J221J	MG RESISTOR	220 J 1/16W		R402	R92-1061-05	JUMPER REST	0 OHM	
R305	RK73HB1J220J	MG RESISTOR	22 J 1/16W		R403	RK73GB2A000J	MG RESISTOR	0.0 J 1/10W	
R306	RK73HB1J000J	MG RESISTOR	0.0 J 1/16W		R405	RK73GB2A560J	MG RESISTOR	56 J 1/10W	
R307	RK73HB1J102J	MG RESISTOR	1.0K J 1/16W		R500	RK73HB1J101J	MG RESISTOR	100 J 1/16W K,BF,BK	
R308	RK73HB1J121J	MG RESISTOR	120 J 1/16W		R500	RK73HB1J680J	MG RESISTOR	68 J 1/16W K2,BF2,BK2	
R309	RK73HB1J822J	MG RESISTOR	8.2K J 1/16W		R501	RK73HB1J680J	MG RESISTOR	68 J 1/16W K,BF,BK	
R310	RK73HB1J271J	MG RESISTOR	270 J 1/16W		R501	RK73HB1J151J	MG RESISTOR	150 J 1/16W K2,BF2,BK2	
R311	RK73HB1J390J	MG RESISTOR	39 J 1/16W		R502	RK73HB1J101J	MG RESISTOR	100 J 1/16W K,BF,BK	
R312	RK73HB1J390J	MG RESISTOR	39 J 1/16W		R502	RK73HB1J680J	MG RESISTOR	68 J 1/16W K2,BF2,BK2	
R313	RK73HB1J271J	MG RESISTOR	270 J 1/16W		R503	RK73HB1J103J	MG RESISTOR	10K J 1/16W	
R314	RK73HB1J470J	MG RESISTOR	47 J 1/16W		R504	RK73HB1J682J	MG RESISTOR	6.8K J 1/16W	
R315	RK73HB1J392J	MG RESISTOR	3.9K J 1/16W		R505	RK73HB1J222J	MG RESISTOR	2.2K J 1/16W	
R316	RK73HB1J472J	MG RESISTOR	4.7K J 1/16W		R506	RK73HB1J470J	MG RESISTOR	47 J 1/16W	

△ Symbol No.	Part No.	Part Name	Description	Local	△ Symbol No.	Part No.	Part Name	Description	Local
R507	RK73HB1J221J	MG RESISTOR	220 J 1/16W	K,BF,BK	R720	RK73HB1J333J	MG RESISTOR	33K J 1/16W	
R507	RK73HB1J181J	MG RESISTOR	180 J 1/16W	K2,BF2,BK2	R721	RK73HB1J100J	MG RESISTOR	10 J 1/16W	
R508	RK73HB1J472J	MG RESISTOR	4.7K J 1/16W		R722	RK73HB1J681J	MG RESISTOR	680 J 1/16W	
R509	RK73HB1J222J	MG RESISTOR	2.2K J 1/16W		R727	RK73HB1J821J	MG RESISTOR	820 J 1/16W	
R510	RK73HB1J393J	MG RESISTOR	39K J 1/16W		R728	RK73JB1H104J	MG RESISTOR	100K J 1/20W	
R511	RK73HB1J000J	MG RESISTOR	0.0 J 1/16W		R729	RK73JB1H104J	MG RESISTOR	100K J 1/20W	
R512	RK73HB1J000J	MG RESISTOR	0.0 J 1/16W		R731	RK73JB1H473J	MG RESISTOR	47K J 1/20W	
R514	RK73HB1J101J	MG RESISTOR	100 J 1/16W		R732	RK73JB1H472J	MG RESISTOR	4.7K J 1/20W	
R515	RK73HB1J000J	MG RESISTOR	0.0 J 1/16W		R733	RK73HB1J000J	MG RESISTOR	0.0 J 1/16W	
R516	RK73HB1J101J	MG RESISTOR	100 J 1/16W		R734	RK73JB1H103J	MG RESISTOR	10K J 1/20W	
R517	RK73HB1J271J	MG RESISTOR	270 J 1/16W		R735	RK73JB1H103J	MG RESISTOR	10K J 1/20W	
R519	RK73HB1J180J	MG RESISTOR	18 J 1/16W		R736	RK73HB1J000J	MG RESISTOR	0.0 J 1/16W	
R521	RK73HB1J000J	MG RESISTOR	0.0 J 1/16W		R738	RK73HB1J102J	MG RESISTOR	1.0K J 1/16W	
R523	RK73HB1J104J	MG RESISTOR	100K J 1/16W		R740	RK73HB1J102J	MG RESISTOR	1.0K J 1/16W	
R525	RK73HB1J000J	MG RESISTOR	0.0 J 1/16W		R742	RK73HB1J102J	MG RESISTOR	1.0K J 1/16W	
R526	RK73HB1J104J	MG RESISTOR	100K J 1/16W		R744	RK73HB1J102J	MG RESISTOR	1.0K J 1/16W	
R527	RK73HB1J104J	MG RESISTOR	100K J 1/16W		R746	RK73HB1J102J	MG RESISTOR	1.0K J 1/16W	
R528	RK73HB1J103J	MG RESISTOR	10K J 1/16W		R747	RK73JB1H220J	MG RESISTOR	22 J 1/20W	
R529	RK73HB1J104J	MG RESISTOR	100K J 1/16W		R748	RK73JB1H220J	MG RESISTOR	22 J 1/20W	
R530	RK73HB1J101J	MG RESISTOR	100 J 1/16W		R749	RK73JB1H220J	MG RESISTOR	22 J 1/20W	
R531	RK73HB1J104J	MG RESISTOR	100K J 1/16W		R750	RK73JB1H220J	MG RESISTOR	22 J 1/20W	
R532	RK73HB1J274J	MG RESISTOR	270K J 1/16W		R751	RK73JB1H220J	MG RESISTOR	22 J 1/20W	
R533	RK73HB1J333J	MG RESISTOR	33K J 1/16W		R752	RK73HB1J332J	MG RESISTOR	3.3K J 1/16W	
R535	RK73HB1J821J	MG RESISTOR	820 J 1/16W		R753	RK73JB1H220J	MG RESISTOR	22 J 1/20W	
R536	RK73HB1J5R6J	MG RESISTOR	5.6 J 1/16W		R754	RK73JB1H220J	MG RESISTOR	22 J 1/20W	
R537	RK73HB1J821J	MG RESISTOR	820 J 1/16W		R755	RK73JB1H104J	MG RESISTOR	100K J 1/20W	
R538	RK73HB1J000J	MG RESISTOR	0.0 J 1/16W		R756	RK73JB1H104J	MG RESISTOR	100K J 1/20W	
R539	RK73HB1J274J	MG RESISTOR	270K J 1/16W		R757	RK73JB1H220J	MG RESISTOR	22 J 1/20W	
R540	RK73HB1J333J	MG RESISTOR	33K J 1/16W		R758	RK73JB1H220J	MG RESISTOR	22 J 1/20W	
R542	RK73HB1J820J	MG RESISTOR	82 J 1/16W		R759	RK73JB1H220J	MG RESISTOR	22 J 1/20W	
R543	RK73HB1J103J	MG RESISTOR	10K J 1/16W		R760	RK73JB1H220J	MG RESISTOR	22 J 1/20W	
R545	RK73HB1J183J	MG RESISTOR	18K J 1/16W		R761	RK73JB1H220J	MG RESISTOR	22 J 1/20W	
R546	RK73HB1J183J	MG RESISTOR	18K J 1/16W		R762	RK73JB1H220J	MG RESISTOR	22 J 1/20W	
R548	RK73HB1J000J	MG RESISTOR	0.0 J 1/16W		R763	RK73JB1H220J	MG RESISTOR	22 J 1/20W	
R551	RK73HB1J104J	MG RESISTOR	100K J 1/16W		R764	RK73JB1H104J	MG RESISTOR	100K J 1/20W	
R552	RK73HB1J104J	MG RESISTOR	100K J 1/16W		R765	RK73JB1H220J	MG RESISTOR	22 J 1/20W	
R553	RK73HB1J104J	MG RESISTOR	100K J 1/16W		R766	RK73JB1H220J	MG RESISTOR	22 J 1/20W	
R554	RK73HB1J104J	MG RESISTOR	100K J 1/16W		R767	RK73JB1H220J	MG RESISTOR	22 J 1/20W	
R556	RK73HB1J271J	MG RESISTOR	270 J 1/16W		R768	RK73JB1H220J	MG RESISTOR	22 J 1/20W	
R557	RK73HB1J000J	MG RESISTOR	0.0 J 1/16W		R770	RK73JB1H220J	MG RESISTOR	22 J 1/20W	
R600	RK73HB1J100J	MG RESISTOR	10 J 1/16W		R772	RK73JB1H220J	MG RESISTOR	22 J 1/20W	
R601	RK73HB1J100J	MG RESISTOR	10 J 1/16W		R773	RK73JB1H104J	MG RESISTOR	100K J 1/20W	
R602	RK73HB1J100J	MG RESISTOR	10 J 1/16W		R774	RK73JB1H220J	MG RESISTOR	22 J 1/20W	
R603	RK73HB1J102J	MG RESISTOR	1.0K J 1/16W		R775	RK73JB1H220J	MG RESISTOR	22 J 1/20W	
R604	RK73HB1J681J	MG RESISTOR	680 J 1/16W		R777	RK73JB1H102J	MG RESISTOR	1.0K J 1/20W	
R605	RK73JB1H103J	MG RESISTOR	10K J 1/20W		R778	RK73JB1H220J	MG RESISTOR	22 J 1/20W	
R606	RK73HB1J000J	MG RESISTOR	0.0 J 1/16W		R779	RK73JB1H220J	MG RESISTOR	22 J 1/20W	
R607	RK73HB1J220J	MG RESISTOR	22 J 1/16W		R781	RK73JB1H220J	MG RESISTOR	22 J 1/20W	
R608	RK73HH1J391D	MG RESISTOR	390 D 1/16W		R782	RK73JB1H220J	MG RESISTOR	22 J 1/20W	
R609	RK73HB1J182J	MG RESISTOR	1.8K J 1/16W		R783	RK73JB1H220J	MG RESISTOR	22 J 1/20W	
R610	RK73HB1J562J	MG RESISTOR	5.6K J 1/16W		R785	RK73JB1H220J	MG RESISTOR	22 J 1/20W	
R611	RK73HB1J471J	MG RESISTOR	470 J 1/16W		R787	RK73JB1H220J	MG RESISTOR	22 J 1/20W	
R612	RK73JB1H472J	MG RESISTOR	4.7K J 1/20W		R788	RK73JB1H220J	MG RESISTOR	22 J 1/20W	
R613	RK73HB1J104J	MG RESISTOR	100K J 1/16W		R789	RK73HB1J101J	MG RESISTOR	100 J 1/16W	
R614	RK73HB1J470J	MG RESISTOR	47 J 1/16W		R790	RK73JB1H220J	MG RESISTOR	22 J 1/20W	
R615	RK73HB1J103J	MG RESISTOR	10K J 1/16W		R791	RK73JB1H220J	MG RESISTOR	22 J 1/20W	
R616	RK73HB1J101J	MG RESISTOR	100 J 1/16W		R792	RK73JB1H220J	MG RESISTOR	22 J 1/20W	
R617	RK73HB1J274J	MG RESISTOR	270K J 1/16W		R794	RK73JB1H220J	MG RESISTOR	22 J 1/20W	
R618	RK73HB1J271J	MG RESISTOR	270 J 1/16W		R795	RK73JB1H220J	MG RESISTOR	22 J 1/20W	
R619	RK73HB1J180J	MG RESISTOR	18 J 1/16W		R797	RK73JB1H220J	MG RESISTOR	22 J 1/20W	
R620	RK73HB1J271J	MG RESISTOR	270 J 1/16W		R798	RK73JB1H220J	MG RESISTOR	22 J 1/20W	
R621	RK73HB1J470J	MG RESISTOR	47 J 1/16W		R799	RK73JB1H220J	MG RESISTOR	22 J 1/20W	
R622	RK73HB1J681J	MG RESISTOR	680 J 1/16W		R800	RK73JB1H220J	MG RESISTOR	22 J 1/20W	
R623	RK73HB1J104J	MG RESISTOR	100K J 1/16W		R801	RK73JB1H220J	MG RESISTOR	22 J 1/20W	
R624	RK73HB1J473J	MG RESISTOR	47K J 1/16W		R802	RK73JB1H220J	MG RESISTOR	22 J 1/20W	
R625	RK73HB1J104J	MG RESISTOR	100K J 1/16W		R803	RK73JB1H220J	MG RESISTOR	22 J 1/20W	
R626	RK73HB1J333J	MG RESISTOR	33K J 1/16W		R804	RK73JB1H220J	MG RESISTOR	22 J 1/20W	
R628	RK73HB1J101J	MG RESISTOR	100 J 1/16W		R805	RK73GH2A49R9D	MG RESISTOR	49.9 D 1/10W	
R630	RK73HB1J101J	MG RESISTOR	100 J 1/16W		R806	RK73JB1H220J	MG RESISTOR	22 J 1/20W	
R631	RK73HB1J000J	MG RESISTOR	0.0 J 1/16W		R807	RK73JB1H102J	MG RESISTOR	1.0K J 1/20W	
R632	RK73GB2A220J	MG RESISTOR	22 J 1/10W		R808	RK73JB1H102J	MG RESISTOR	1.0K J 1/20W	
R700	RK73HB1J102J	MG RESISTOR	1.0K J 1/16W		R809	RK73JB1H220J	MG RESISTOR	22 J 1/20W	
R701	RK73HB1J000J	MG RESISTOR	0.0 J 1/16W		R810	RK73JB1H102J	MG RESISTOR	1.0K J 1/20W	
R702	RK73HB1J100J	MG RESISTOR	10 J 1/16W		R813	RK73JB1H220J	MG RESISTOR	22 J 1/20W	
R707	RK73HB1J100J	MG RESISTOR	10 J 1/16W		R814	RK73JB1H220J	MG RESISTOR	22 J 1/20W	
R708	RK73HB1J220J	MG RESISTOR	22 J 1/16W		R815	RK73JB1H220J	MG RESISTOR	22 J 1/20W	
R709	RK73HB1J102J	MG RESISTOR	1.0K J 1/16W		R816	RK73HB1J102J	MG RESISTOR	1.0K J 1/16W	
R719	RK73HB1J153J	MG RESISTOR	15K J 1/16W		R817	RK73JB1H220J	MG RESISTOR	22 J 1/20W	

△ Symbol No.	Part No.	Part Name	Description	Local	△ Symbol No.	Part No.	Part Name	Description	Local
R828	RK73HB1J103J	MG RESISTOR	10K J 1/16W		R950	RK73GB2A000J	MG RESISTOR	0.0 J 1/10W	
R830	RK73JB1H103J	MG RESISTOR	10K J 1/20W		R951	RK73HB1J100J	MG RESISTOR	10 J 1/16W	
R831	RK73HB1J102J	MG RESISTOR	1.0K J 1/16W		R953	RK73HB1J472J	MG RESISTOR	4.7K J 1/16W	
R833	RK73JB1H104J	MG RESISTOR	100K J 1/20W		R954	RK73HB1J472J	MG RESISTOR	4.7K J 1/16W	
R835	RK73JB1H104J	MG RESISTOR	100K J 1/20W		R955	RK73HB1J100J	MG RESISTOR	10 J 1/16W	
R837	RK73HB1J102J	MG RESISTOR	1.0K J 1/16W		R956	RK73HB1J000J	MG RESISTOR	0.0 J 1/16W	
R838	RK73HB1J000J	MG RESISTOR	0.0 J 1/16W		R957	RK73HB1J101J	MG RESISTOR	100 J 1/16W	
R839	RK73HB1J473J	MG RESISTOR	47K J 1/16W		R958	RK73GB2A102J	MG RESISTOR	1.0K J 1/10W	
R843	RK73HH1J104D	MG RESISTOR	100K D 1/16W		R960	RK73HB1J103J	MG RESISTOR	10K J 1/16W	
R844	RK73HB1J103J	MG RESISTOR	10K J 1/16W		R961	RK73GB2A102J	MG RESISTOR	1.0K J 1/10W	
R845	RK73HB1J103J	MG RESISTOR	10K J 1/16W		R962	RK73HB1J473J	MG RESISTOR	47K J 1/16W	
R854	RK73HB1J000J	MG RESISTOR	0.0 J 1/16W		R963	RK73HB1J101J	MG RESISTOR	100 J 1/16W	
R857	RK73HB1J333J	MG RESISTOR	33K J 1/16W		R964	RK73HB1J101J	MG RESISTOR	100 J 1/16W	
R858	RK73HB1J223J	MG RESISTOR	22K J 1/16W		R965	RK73HB1J471J	MG RESISTOR	470 J 1/16W	
R859	RK73HB1J223J	MG RESISTOR	22K J 1/16W		R966	RK73HB1J471J	MG RESISTOR	470 J 1/16W	
R862	RK73HB1J222J	MG RESISTOR	2.2K J 1/16W		R967	RK73GB2A221J	MG RESISTOR	220 J 1/10W	
R863	RK73HB1J000J	MG RESISTOR	0.0 J 1/16W		R968	RK73GB2A221J	MG RESISTOR	220 J 1/10W	
R864	RK73HB1J000J	MG RESISTOR	0.0 J 1/16W		R969	RK73HB1J471J	MG RESISTOR	470 J 1/16W	
R865	RK73HB1J222J	MG RESISTOR	2.2K J 1/16W		R970	RK73HB1J101J	MG RESISTOR	100 J 1/16W	
R866	RK73HB1J103J	MG RESISTOR	10K J 1/16W		R971	RK73HB1J471J	MG RESISTOR	470 J 1/16W	
R867	RK73HB1J223J	MG RESISTOR	22K J 1/16W		R972	RK73HB1J471J	MG RESISTOR	470 J 1/16W	
R868	RK73HB1J000J	MG RESISTOR	0.0 J 1/16W		R973	RK73HB1J471J	MG RESISTOR	470 J 1/16W	
R869	RK73HB1J000J	MG RESISTOR	0.0 J 1/16W		R974	RK73HB1J101J	MG RESISTOR	100 J 1/16W	
R874	RK73JB1H104J	MG RESISTOR	100K J 1/20W		R975	RK73HB1J101J	MG RESISTOR	100 J 1/16W	
R876	RK73HB1J102J	MG RESISTOR	1.0K J 1/16W		R976	RK73HB1J101J	MG RESISTOR	100 J 1/16W	
R877	RK73FB2B332J	MG RESISTOR	3.3K J 1/8W		R977	RK73GB2A102J	MG RESISTOR	1.0K J 1/10W	
R878	RK73FB2B332J	MG RESISTOR	3.3K J 1/8W		R978	RK73HB1J473J	MG RESISTOR	47K J 1/16W	
R879	RK73FB2B332J	MG RESISTOR	3.3K J 1/8W		R979	RK73HB1J681J	MG RESISTOR	680 J 1/16W	
R880	RK73HB1J102J	MG RESISTOR	1.0K J 1/8W		R980	RK73HB1J000J	MG RESISTOR	0.0 J 1/16W	
R881	RK73HB1J000J	MG RESISTOR	0.0 J 1/16W		R981	RK73GB2A221J	MG RESISTOR	220 J 1/10W	
R882	RK73JB1H473J	MG RESISTOR	47K J 1/20W		R982	RK73GB2A221J	MG RESISTOR	220 J 1/10W	
R883	RK73JB1H473J	MG RESISTOR	47K J 1/20W		R983	RK73HB1J101J	MG RESISTOR	100 J 1/16W	
R884	RK73HB1J104J	MG RESISTOR	100K J 1/16W		R984	RK73HB1J682J	MG RESISTOR	6.8K J 1/16W	
R885	RK73HB1J000J	MG RESISTOR	0.0 J 1/16W		R985	RK73HB1J104J	MG RESISTOR	100K J 1/16W	
R900	RK73HB1J100J	MG RESISTOR	10 J 1/16W		R991	RK73HB1J000J	MG RESISTOR	0.0 J 1/16W	
R901	RK73HB1J101J	MG RESISTOR	100 J 1/16W		R992	RK73HB1J102J	MG RESISTOR	1.0K J 1/16W	
R902	RK73HB1J100J	MG RESISTOR	10 J 1/16W		R993	RK73HB1J000J	MG RESISTOR	0.0 J 1/16W	
R903	RK73HB1J103J	MG RESISTOR	10K J 1/16W		R994	RK73HB1J000J	MG RESISTOR	0.0 J 1/16W	
R904	RK73HH1J223D	MG RESISTOR	22K D 1/16W		R996	RK73HB1J000J	MG RESISTOR	0.0 J 1/16W	
R905	RK73HH1J223D	MG RESISTOR	22K D 1/16W		R997	RK73HB1J000J	MG RESISTOR	0.0 J 1/16W	
R906	RK73HB1J000J	MG RESISTOR	0.0 J 1/16W		R998	RK73HB1J000J	MG RESISTOR	0.0 J 1/16W	
R907	RK73HB1J000J	MG RESISTOR	0.0 J 1/16W		L1	LB73Z0AF-001	CHIP FERRITE BEADS		
R908	RK73HH1J223D	MG RESISTOR	22K D 1/16W		L2	LB73Z0AF-001	CHIP FERRITE BEADS		
R909	RK73HH1J223D	MG RESISTOR	22K D 1/16W		L3	LB73Z0AF-001	CHIP FERRITE BEADS		
R911	RK73HB1J104J	MG RESISTOR	100K J 1/16W		L4	LB73H0AV-002	CHIP FERRITE BEADS		
R912	RK73HB1J102J	MG RESISTOR	1.0K J 1/16W		L5	LB73G0AK-001	CHIP FERRITE BEADS		
R913	RK73HB1J000J	MG RESISTOR	0.0 J 1/16W		L6	LB73G0AM-004	CHIP FERRITE BEADS		
R914	RK73HB1J102J	MG RESISTOR	1.0K J 1/16W		L7	LB73G0AK-001	CHIP FERRITE BEADS		
R915	RK73HB1J000J	MG RESISTOR	0.0 J 1/16W		L9	LB73G0AK-001	CHIP FERRITE BEADS		
R916	RK73HB1J222J	MG RESISTOR	2.2K J 1/16W		L10	LB73G0AK-001	CHIP FERRITE BEADS		
R917	RK73HB1J000J	MG RESISTOR	0.0 J 1/16W		L11	L41-4792-69	SMALL FIXED INDUCTOR(4.7UH)		
R918	RK73HB1J683J	MG RESISTOR	68K J 1/16W		L12	LB73G0AM-004	CHIP FERRITE BEADS		
R919	RK73HH1J473D	MG RESISTOR	47K D 1/16W		L13	LR79Z0AA150M	SMALL FIXED INDUCTOR(15UH)		
R920	RK73HB1J000J	MG RESISTOR	0.0 J 1/16W		L14	LB73G0AK-001	CHIP FERRITE BEADS		
R921	RK73HB1J102J	MG RESISTOR	1.0K J 1/16W		L15	LB73G0AK-001	CHIP FERRITE BEADS		
R922	RK73HB1J681J	MG RESISTOR	680 J 1/16W		L16	LB73H0AY-004	CHIP FERRITE BEADS		
R923	RK73HB1J000J	MG RESISTOR	0.0 J 1/16W		L80	LB73H0AV-003	CHIP FERRITE BEADS		
R924	RK73HB1J473J	MG RESISTOR	47K J 1/16W		L100	LB73H0AV-003	CHIP FERRITE BEADS		
R925	RK73HB1J273J	MG RESISTOR	27K J 1/16W		L101	LB73H0AV-003	CHIP FERRITE BEADS		
R926	RK73HB1J103J	MG RESISTOR	10K J 1/16W		L102	LB73H0AV-003	CHIP FERRITE BEADS		
R927	RK73HB1J474J	MG RESISTOR	470K J 1/16W		L103	LB73H0AV-003	CHIP FERRITE BEADS		
R928	RK73HB1J103J	MG RESISTOR	10K J 1/16W		L104	LK73G0AQ100K	SMALL FIXED INDUCTOR(10UH)		
R930	RK73HH1J103D	MG RESISTOR	10K D 1/16W		L105	LK73G0AQ100K	SMALL FIXED INDUCTOR(10UH)		
R932	RK73HB1J473J	MG RESISTOR	47K J 1/16W		L106	LK73G0AF2N7S	SMALL FIXED INDUCTOR(2.7NH)	K,BF,BK	
R933	RK73HB1J000J	MG RESISTOR	0.0 J 1/16W		L106	L40-2263-92	SMALL FIXED INDUCTOR(2.2NH)	K2,BF2,BK2	
R935	RK73HB1J102J	MG RESISTOR	1.0K J 1/16W		L107	L40-3363-92	SMALL FIXED INDUCTOR(3.3NH)		
R936	RK73GB2A101J	MG RESISTOR	100 J 1/10W		L108	LB73H0AV-003	CHIP FERRITE BEADS		
R937	RK73HB1J000J	MG RESISTOR	0.0 J 1/16W		L109	LB73H0AV-003	CHIP FERRITE BEADS		
R938	RK73HB1J332J	MG RESISTOR	3.3K J 1/16W		L110	LK73G0AFR27J	SMALL FIXED INDUCTOR(270NH)		
R939	RK73HB1J392J	MG RESISTOR	3.9K J 1/16W		L111	LK73G0AFR18J	SMALL FIXED INDUCTOR(180NH)	K,BF,BK	
R940	RK73HB1J392J	MG RESISTOR	3.9K J 1/16W		L111	LK73G0AFR22J	SMALL FIXED INDUCTOR(220NH)	K2,BF2,BK2	
R941	RK73GB2A101J	MG RESISTOR	100 J 1/10W		L112	LK73G0AF12NJ	SMALL FIXED INDUCTOR(12NH)	K,BF,BK	
R943	RK73GB2A000J	MG RESISTOR	0.0 J 1/10W		L112	LK73G0AF18NJ	SMALL FIXED INDUCTOR(18NH)	K2,BF2,BK2	
R944	RK73HB1J473J	MG RESISTOR	47K J 1/16W		L113	LK73G0AF15NJ	SMALL FIXED INDUCTOR(15NH)	K,BF,BK	
R945	RK73HB1J472J	MG RESISTOR	4.7K J 1/16W		L113	LK73G0AF27NJ	SMALL FIXED INDUCTOR(27NH)	K2,BF2,BK2	
R947	RK73HB1J101J	MG RESISTOR	100 J 1/16W		L114	LK73G0AFR27J	SMALL FIXED INDUCTOR(270NH)		
R948	RK73HB1J000J	MG RESISTOR	0.0 J 1/16W		L115	LK73G0AFR18J	SMALL FIXED INDUCTOR(180NH)	K,BF,BK	
R949	RK73HB1J472J	MG RESISTOR	4.7K J 1/16W						

△ Symbol No.	Part No.	Part Name	Description	Local	△ Symbol No.	Part No.	Part Name	Description	Local
L115	LK73G0AFR22J	SMALL FIXED INDUCTOR(220NH)		K2,BF2,BK2	L511	LR79Z0DD27N4J	CHIP INDUCTOR		K2,BF2,BK2
L116	LK73G0AFR22J	SMALL FIXED INDUCTOR(270NH)			L512	LB73G0BD-005	CHIP FERRITE BEADS		
L117	LK73G0AFR18J	SMALL FIXED INDUCTOR(180NH)		K,BF,BK	L513	L41-1578-14	SMALL FIXED INDUCTOR(15NH)		
L117	LK73G0AFR22J	SMALL FIXED INDUCTOR(220NH)		K2,BF2,BK2	L515	LR79Z0DD32N5J	CHIP INDUCTOR		K,BF,BK
L118	L40-3363-92	SMALL FIXED INDUCTOR(3.3NH)			L515	LR79Z0DD37N7J	CHIP INDUCTOR		K2,BF2,BK2
L119	L40-2263-92	SMALL FIXED INDUCTOR(2.2NH)			L516	LR79Z0DD32N5J	CHIP INDUCTOR		K,BF,BK
L120	LK73G0AFR27J	SMALL FIXED INDUCTOR(270NH)			L516	LR79Z0DD37N7J	CHIP INDUCTOR		K2,BF2,BK2
L121	LK73G0AFR18J	SMALL FIXED INDUCTOR(180NH)		K,BF,BK	L517	L41-1578-14	SMALL FIXED INDUCTOR(15NH)		K,BF,BK
L121	LK73G0AFR22J	SMALL FIXED INDUCTOR(220NH)		K2,BF2,BK2	L517	L41-1878-14	SMALL FIXED INDUCTOR(18NH)		K2,BF2,BK2
L122	LB73H0AY-004	CHIP FERRITE BEADS			L518	L41-8278-14	SMALL FIXED INDUCTOR(82NH)		
L123	LR79Z0CM28NG	CHIP INDUCTOR		K,BF,BK	L600	LK73G0AQ100K	SMALL FIXED INDUCTOR(10UH)		
L123	L34-4610-15	AIR-CORE COIL		K2,BF2,BK2	L601	LB73H0AV-003	CHIP FERRITE BEADS		
L124	L34-4607-15	AIR-CORE COIL		K,BF,BK	L602	LB73H0AV-003	CHIP FERRITE BEADS		
L124	LR79Z0CM22NG	CHIP INDUCTOR		K2,BF2,BK2	L603	L41-2788-55	SMALL FIXED INDUCTOR(270NH)		
L125	LK73G0AF33NJ	SMALL FIXED INDUCTOR(33NH)		K,BF,BK	L604	LB73H0AV-003	CHIP FERRITE BEADS		
L125	LK73G0AF27NJ	SMALL FIXED INDUCTOR(27NH)		K2,BF2,BK2	L605	LK73G0AFR27J	SMALL FIXED INDUCTOR(270NH)		
L126	LK73G0AFR27J	SMALL FIXED INDUCTOR(270NH)			L606	L41-4798-14	SMALL FIXED INDUCTOR(4.7UF)		
L127	LK73G0AFR18J	SMALL FIXED INDUCTOR(180NH)		K,BF,BK	L607	L41-1885-53	SMALL FIXED INDUCTOR(0.18UH)		
L127	LK73G0AFR22J	SMALL FIXED INDUCTOR(220NH)		K2,BF2,BK2	L608	LB73H0AV-003	CHIP FERRITE BEADS		
L128	LK73G0AFR27J	SMALL FIXED INDUCTOR(270NH)			L609	LB73H0AV-003	CHIP FERRITE BEADS		
L129	LK73G0AFR18J	SMALL FIXED INDUCTOR(180NH)		K,BF,BK	L610	L41-2285-53	SMALL FIXED INDUCTOR(0.22UH)		
L129	LK73G0AFR22J	SMALL FIXED INDUCTOR(220NH)		K2,BF2,BK2	L611	LK73G0AQ100K	SMALL FIXED INDUCTOR(10UH)		
L130	LB73H0AY-004	CHIP FERRITE BEADS			L612	LK73G0AQ100K	SMALL FIXED INDUCTOR(10UH)		
L131	LB73H0AY-004	CHIP FERRITE BEADS			L613	LB73H0AV-003	CHIP FERRITE BEADS		
L132	LK73H0AM39NJ	SMALL FIXED INDUCTOR(39NH)		K,BF,BK	L614	LB73H0AV-003	CHIP FERRITE BEADS		
L132	LK73H0AM56NJ	SMALL FIXED INDUCTOR(56NH)		K2,BF2,BK2	L615	LK73G0AQR33K	SMALL FIXED INDUCTOR(330NH)		
L134	LK73G0AF22NJ	SMALL FIXED INDUCTOR(22NH)		K,BF,BK	L616	LB73H0AV-002	CHIP FERRITE BEADS		
L134	LK73G0AF27NJ	SMALL FIXED INDUCTOR(27NH)		K2,BF2,BK2	L617	LK73G0AQR82K	SMALL FIXED INDUCTOR(820NH)		
L135	LK73G0AF22NJ	SMALL FIXED INDUCTOR(22NH)		K,BF,BK	L618	LK73G0AQ2R2K	SMALL FIXED INDUCTOR(2.2.UH)		
L135	LK73G0AF27NJ	SMALL FIXED INDUCTOR(27NH)		K2,BF2,BK2	L619	L40-6881-86	SMALL FIXED INDUCTOR(0.68UH)		
L136	LB73H0AV-003	CHIP FERRITE BEADS			L620	LB73H0AV-002	CHIP FERRITE BEADS		
L137	LK73G0AF22NJ	SMALL FIXED INDUCTOR(22NH)		K,BF,BK	L621	L41-1098-14	SMALL FIXED INDUCTOR(10UH)		
L137	LK73G0AF33NJ	SMALL FIXED INDUCTOR(33NH)		K2,BF2,BK2	L625	LK73G0ASR47J	SMALL FIXED INDUCTOR(470NH)		
L138	LK73H0AG4N7S	SMALL FIXED INDUCTOR(4.7NH)		K,BF,BK	L626	LK73G0AQ100K	SMALL FIXED INDUCTOR(10UH)		
L138	LK73H0AG27NJ	SMALL FIXED INDUCTOR(27NH)		K2,BF2,BK2	L700	LB73G0AK-001	CHIP FERRITE BEADS		
L139	LB73H0AY-004	CHIP FERRITE BEADS			L701	LB73H0AV-003	CHIP FERRITE BEADS		
L300	LK73H0AM15NJ	SMALL FIXED INDUCTOR(15NH)			L702	LB73G0AK-001	CHIP FERRITE BEADS		
L301	LK73H0AMR12J	SMALL FIXED INDUCTOR(120NH)			L706	LB73H0AV-002	CHIP FERRITE BEADS		
L302	LK73H0AM15NJ	SMALL FIXED INDUCTOR(15NH)			L711	LR77Z0AE4R7J	CHIP INDUCTOR		
L303	LK73H0AM15NJ	SMALL FIXED INDUCTOR(15NH)			L713	LB73H0AV-002	CHIP FERRITE BEADS		
L304	LK73H0AM6N8J	SMALL FIXED INDUCTOR(6.8NH)			L714	LB73G0AM-004	CHIP FERRITE BEADS		
L305	LK73G0AF4N7S	SMALL FIXED INDUCTOR(4.7NH)			L715	L92-1101-05	CHIP FERRITE		
L306	LB73F0AW-002	CHIP FERRITE BEADS			L716	L92-1101-05	CHIP FERRITE		
L307	LK73G0AF10NJ	SMALL FIXED INDUCTOR(10NH)			L717	L92-1101-05	CHIP FERRITE		
L308	LB73H0AV-003	CHIP FERRITE BEADS			L718	L92-1101-05	CHIP FERRITE		
L309	LB73G0BA-004	CHIP FERRITE BEADS			L719	LB73H0AV-002	CHIP FERRITE BEADS		
L310	LB73Z0AF-001	CHIP FERRITE BEADS			L720	LB73G0AK-001	CHIP FERRITE BEADS		
L311	LB73Z0AF-001	CHIP FERRITE BEADS			L721	LB73G0AK-001	CHIP FERRITE BEADS		
L312	LB73Z0AF-001	CHIP FERRITE BEADS			L722	LB73G0AK-001	CHIP FERRITE BEADS		
L314	LK73G0AF47NJ	SMALL FIXED INDUCTOR(47NH)			L723	LB73H0AV-002	CHIP FERRITE BEADS		
L315	L41-1285-33	SMALL FIXED INDUCTOR(0.12UH)		K,BF,BK	L724	LB73G0AK-001	CHIP FERRITE BEADS		
L315	LR77Z0AA68NJ	CHIP INDUCTOR		K2,BF2,BK2	L725	LB73H0AV-002	CHIP FERRITE BEADS		
L316	L34-4896-05	AIR-CORE COIL			L726	L79-1984-05	FILTER		
L317	L41-8278-55	SMALL FIXED INDUCTOR(82NH)			L728	L79-1984-05	FILTER		
L318	LB73G0BD-005	CHIP FERRITE BEADS			L729	L79-1984-05	FILTER		
L319	L34-4694-05	AIR-CORE COIL			L730	L79-1984-05	FILTER		
L320	L34-4669-05	AIR-CORE COIL			L731	L79-1984-05	FILTER		
L321	LB73H0AV-003	CHIP FERRITE BEADS			L732	L92-1101-05	CHIP FERRITE		
L322	L34-4669-05	AIR-CORE COIL			L901	LB73H0AV-003	CHIP FERRITE BEADS		
L323	L34-4694-05	AIR-CORE COIL		K,BF,BK	L902	LB73H0AV-003	CHIP FERRITE BEADS		
L323	L34-4669-05	AIR-CORE COIL		K2,BF2,BK2	L906	LB73G0BA-004	CHIP FERRITE BEADS		
L324	L34-4667-05	AIR-CORE COIL			L907	LB73G0BA-004	CHIP FERRITE BEADS		
L325	L41-3965-55	SMALL FIXED INDUCTOR(3.9NH)							
L500	L39-1498-05	TOROIDAL COIL			A1	W02-3785-05	DC-DC CONVERTER		
L501	LB73G0BD-005	CHIP FERRITE BEADS			CN2	E23-1260-14	TERMINAL		
L502	L41-1095-14	SMALL FIXED INDUCTOR(1.0UH)			CN3	E23-1260-14	TERMINAL		
L503	L41-1095-14	SMALL FIXED INDUCTOR(1.0UH)			CN4	E41-1682-05	PIN ASSY		
L504	LK73G0AF22NJ	SMALL FIXED INDUCTOR(22NH)			CN12	J19-5386-05	HOLDER		
L505	LK73G0AF15NJ	SMALL FIXED INDUCTOR(15NH)			CN100	E23-1278-05	TERMINAL		
L506	LK73G0AF18NJ	SMALL FIXED INDUCTOR(18NH)			CN102	E23-1278-05	TERMINAL		
L507	LK73H0AM27NJ	SMALL FIXED INDUCTOR(27NH)			CN104	E23-1278-05	TERMINAL		
L508	LR79Z0DD21N9J	CHIP INDUCTOR		K,BF,BK	CN106	E23-1278-05	TERMINAL		K2,BF2,BK2
L508	LR79Z0DD27N4J	CHIP INDUCTOR		K2,BF2,BK2	CN110	E23-1278-05	TERMINAL		
L509	LR79Z0DD21N9J	CHIP INDUCTOR		K,BF,BK	CN111	E23-1278-05	TERMINAL		
L509	LR79Z0DD27N4J	CHIP INDUCTOR		K2,BF2,BK2	CN112	E23-1278-05	TERMINAL		
L510	LR79Z0DD21N9J	CHIP INDUCTOR		K,BF,BK	CN113	E23-1278-05	TERMINAL		
L510	LR79Z0DD27N4J	CHIP INDUCTOR		K2,BF2,BK2	CN300	E23-1278-05	TERMINAL		
L511	LR79Z0DD21N9J	CHIP INDUCTOR		K,BF,BK	CN330	E23-1278-05	TERMINAL		

△ Symbol No.	Part No.	Part Name	Description	Local
CN331	E23-1278-05	TERMINAL		
CN332	E23-1278-05	TERMINAL		
CN333	E23-1278-05	TERMINAL		
CN334	E23-1278-05	TERMINAL		
CN335	E23-1278-05	TERMINAL		
CN336	E23-1278-05	TERMINAL		K,BF,BK
CN337	E23-1278-05	TERMINAL		
CN338	E23-1278-05	TERMINAL		
CN339	E23-1278-05	TERMINAL		
CN360	E23-1278-05	TERMINAL		
CN361	E23-1278-05	TERMINAL		
CN362	E23-1278-05	TERMINAL		
CN363	E23-1278-05	TERMINAL		
CN364	E23-1278-05	TERMINAL		
CN365	E23-1278-05	TERMINAL		K,BF,BK
CN367	E23-1278-05	TERMINAL		
CN368	E23-1278-05	TERMINAL		
CN372	E23-1278-05	TERMINAL		
CN377	E23-1278-05	TERMINAL		K2,BF2,BK2
CN378	E23-1278-05	TERMINAL		K,BF,BK
CN382	E23-1278-05	TERMINAL		
CN521	E23-1278-05	TERMINAL		
CN523	E23-1278-05	TERMINAL		
CN524	E23-1278-05	TERMINAL		
CN526	E23-1278-05	TERMINAL		
CN731	E40-6720-05	SOCKET FOR PIN ASSY		
CN735	E40-6862-05	FLAT CABLE CONNECTOR		
CN749	EC720AA-0550A	FLAT CABLE CONNECTOR SMD		
CN760	E23-1278-05	TERMINAL		
CN761	E23-1278-05	TERMINAL		
CN762	E23-1278-05	TERMINAL		
CN763	E23-1278-05	TERMINAL		
CN764	E23-1278-05	TERMINAL		
CN765	E23-1278-05	TERMINAL		
CN766	E23-1278-05	TERMINAL		
CN769	E23-1278-05	TERMINAL		
CN770	E23-1278-05	TERMINAL		
CN771	E23-1278-05	TERMINAL		
CN772	E23-1278-05	TERMINAL		
CN773	E23-1278-05	TERMINAL		
CN774	E23-1278-05	TERMINAL		
CN775	E23-1278-05	TERMINAL		
CN776	E23-1278-05	TERMINAL		
CN777	E23-1278-05	TERMINAL		
CN778	E23-1278-05	TERMINAL		
CN779	E23-1278-05	TERMINAL		
CN780	E23-1278-05	TERMINAL		
CN781	E23-1278-05	TERMINAL		
CN783	E23-1278-05	TERMINAL		
CN900	E41-2723-05	PIN ASSY		
CN906	E40-6560-05	FLAT CABLE CONNECTOR		
CN907	E40-6560-05	FLAT CABLE CONNECTOR		
CN910	E40-6582-05	PIN ASSY		
CP100	RK74HB1J100J	NET RESISTOR	10 J 1/16W	
CP600	RK74HB1J100J	NET RESISTOR	10 J 1/16W	
CP701	RK74HB1J103J	NET RESISTOR	10K J 1/16W	
CP702	RK74HB1J102J	NET RESISTOR	1.0K J 1/16W	
CP703	RK74HB1J100J	NET RESISTOR	10 J 1/16W	
CP704	RK74HB1J100J	NET RESISTOR	10 J 1/16W	
CP705	RK74HB1J100J	NET RESISTOR	10 J 1/16W	
CP706	RK74HB1J101J	NET RESISTOR	100 J 1/16W	
CP707	RK74HB1J101J	NET RESISTOR	100 J 1/16W	
CP708	RK74HB1J101J	NET RESISTOR	100 J 1/16W	
CP709	RK74HB1J101J	NET RESISTOR	100 J 1/16W	
CP710	RK74HB1J101J	NET RESISTOR	100 J 1/16W	
CP711	RK74HB1J101J	NET RESISTOR	100 J 1/16W	
CP716	RK74HB1J101J	NET RESISTOR	100 J 1/16W	
CP717	RK74HB1J470J	NET RESISTOR	47 J 1/16W	
CP718	RK74HB1J470J	NET RESISTOR	47 J 1/16W	
CP719	RK74HB1J470J	NET RESISTOR	47 J 1/16W	
CP720	RK74HB1J470J	NET RESISTOR	47 J 1/16W	
CP721	RK74HB1J470J	NET RESISTOR	47 J 1/16W	
CP900	RK74HB1J100J	NET RESISTOR	10 J 1/16W	
CP901	RK74HA1J100J	NET RESISTOR	10 J 1/16W	
E2	F10-3226-05	SHIELDING CASE		
E100	F10-3244-05	SHIELDING CASE		
E101	F1B-0017-00	SHIELDING CASE		
E600	F10-3224-05	SHIELDING CASE		

△ Symbol No.	Part No.	Part Name	Description	Local
F1	F53-0286-05	FUSE		
F2	FZA10BS-5R0	FUSE		
F3	FZA10BS-5R0	FUSE		
F900	F53-0286-05	FUSE		
J700	E68-0426-05	JACK(OTHERS)		
J900	E1B-0001-00	3.5D PHONE JACK		
J901	E58-0521-05	SUB SOCKET(D)		
TH300	ERTJ0V104H	NEGATIVE TEMP THERMISTOR		
TH301	ERTJ0V104H	NEGATIVE TEMP THERMISTOR		
TH302	ERTJ0V104H	NEGATIVE TEMP THERMISTOR		
TH700	ERTJ0V104H	NEGATIVE TEMP THERMISTOR		
X700	L77-3123-05	TCXO(19.2MHZ)		
X701	L77-1802-05	CRYSTAL RESONATOR(32.768KHZ)		
XF600	L7B-0003-00	MCF		

MODULE (BT/GPS) UNIT

XC2-0031-80

***Note : This part cannot be replaced. Therefore, this part is not supplied as a service part.**

Block No. [0][2]

△ Symbol No.	Part No.	Part Name	Description	Local
IC1	74AVC4TD245GU	IC(MOS-IC)		
IC2	BU18TD2WNVX	IC(MOS-IC)		
IC3	-----	ANALOGUE IC		*Note
IC4	NJM2878F4-33	BIPOLAR IC		
IC5	-----	MOS-IC		*Note
IC6	74AVC4TD245GU	IC(MOS-IC)		
IC7	74AVC4TD245GU	IC(MOS-IC)		
Q1	EM6M2	FET		
D17	RN262CS	DIODE		
D18	RN262CS	DIODE		
C1	CK73HB1A474K	C CAPACITOR	0.47UF K	
C2	CK73HB1A474K	C CAPACITOR	0.47UF K	
C3	CK73HB1E104K	C CAPACITOR	0.10UF K	
C4	CK73HB1E104K	C CAPACITOR	0.10UF K	
C5	CK73HB1A105K	C CAPACITOR	1.0UF K	
C6	CK73HB1A474K	C CAPACITOR	0.47UF K	
C7	CK73HB1A474K	C CAPACITOR	0.47UF K	
C8	CC73HCH1H220J	C CAPACITOR	22PF J	
C9	CC73HCH1H100B	C CAPACITOR	10PF B	
C10	CK73HB1A105K	C CAPACITOR	1.0UF K	
C11	CK73HB1E104K	C CAPACITOR	0.10UF K	
C12	CK73HB1E104K	C CAPACITOR	0.10UF K	
C13	CK73HB1E104K	C CAPACITOR	0.10UF K	
C14	CK73HB1E104K	C CAPACITOR	0.10UF K	
C15	CK73HB1A105K	C CAPACITOR	1.0UF K	
C16	CK73HB1E104K	C CAPACITOR	0.10UF K	
C17	CK73HB1E104K	C CAPACITOR	0.10UF K	
C18	CC73HCH1H180J	C CAPACITOR	18PF J	
C19	CC73HCH1H180J	C CAPACITOR	18PF J	
C20	CK73HB1A105K	C CAPACITOR	1.0UF K	
C21	CK73HB1A105K	C CAPACITOR	1.0UF K	
C22	CK73HB1E104K	C CAPACITOR	0.10UF K	
C23	CK73HB1H102K	C CAPACITOR	0.010UF K	
C24	CK73HB1E104K	C CAPACITOR	0.10UF K	
C25	CK73HBB1H102K	C CAPACITOR	0.010UF K	
C26	CK73HBB1H102K	C CAPACITOR	0.010UF K	
C27	CK73HBB1H102K	C CAPACITOR	0.010UF K	
C28	CK73HB1E104K	C CAPACITOR	0.10UF K	
C29	CK73HB1E104K	C CAPACITOR	0.10UF K	
C30	CK73HB1E104K	C CAPACITOR	0.10UF K	
C31	CK73HB1A105K	C CAPACITOR	1.0UF K	
C32	CK73HB1E104K	C CAPACITOR	0.10UF K	
C33	CK73HB1E104K	C CAPACITOR	0.10UF K	
C34	CK73HB1E104K	C CAPACITOR	0.10UF K	
C35	CK73HB1E104K	C CAPACITOR	0.10UF K	

△ Symbol No.	Part No.	Part Name	Description	Local
C36	CC73HCH1H220J	C CAPACITOR	22PF J	
C37	CC73HCH1H220J	C CAPACITOR	22PF J	
C38	CC73HCH1H2R5B	C CAPACITOR	2.5PF B	
C39	CK73HB1E104K	C CAPACITOR	0.10UF K	
C40	CC73HCH1H180J	C CAPACITOR	18PF J	
C44	CK73HB1E104K	C CAPACITOR	0.10UF K	
C45	CK73HB1E104K	C CAPACITOR	0.10UF K	
C46	CK73HB1E104K	C CAPACITOR	0.10UF K	
C47	CK73HB1E104K	C CAPACITOR	0.10UF K	
C48	CK73HB1E104K	C CAPACITOR	0.10UF K	
C49	CK73HB1E104K	C CAPACITOR	0.10UF K	
C50	CC73HCH1H470J	C CAPACITOR	47PF J	
C68	CC73HCH1H010B	C CAPACITOR	1.0PF B	
R1	RK73HB1J101J	MG RESISTOR	100 J 1/16W	
R2	RK73HB1J103J	MG RESISTOR	10K J 1/16W	
R3	RK73HB1J103J	MG RESISTOR	10K J 1/16W	
R4	RK73HB1J101J	MG RESISTOR	100 J 1/16W	
R7	RK73HB1J101J	MG RESISTOR	100 J 1/16W	
R8	RK73HB1J102J	MG RESISTOR	1.0K J 1/16W	
R9	RK73HB1J104J	MG RESISTOR	100K J 1/16W	
R10	RK73HB1J104J	MG RESISTOR	100K J 1/16W	
R11	RK73HB1J102J	MG RESISTOR	1.0K J 1/16W	
R12	RK73HB1J473J	MG RESISTOR	47K J 1/16W	
R13	RK73HB1J473J	MG RESISTOR	47K J 1/16W	
R14	RK73HB1J102J	MG RESISTOR	1.0K J 1/16W	
R15	RK73HB1J102J	MG RESISTOR	1.0K J 1/16W	
R16	RK73EB2E100J	MG RESISTOR	10 J 1/4W	
R18	RK73HB1J000J	MG RESISTOR	0.0 J 1/16W	
R19	RK73HB1J102J	MG RESISTOR	1.0K J 1/16W	
R21	RK73HB1J000J	MG RESISTOR	0.0 J 1/16W	
R22	RK73HB1J103J	MG RESISTOR	10K J 1/16W	
R23	RK73HB1J000J	MG RESISTOR	0.0 J 1/16W	
R24	RK73HB1J000J	MG RESISTOR	0.0 J 1/16W	
R25	RK73HB1J103J	MG RESISTOR	10K J 1/16W	
R26	RK73HB1J000J	MG RESISTOR	0.0 J 1/16W	
R27	RK73HB1J000J	MG RESISTOR	0.0 J 1/16W	
R29	RK73HB1J000J	MG RESISTOR	0.0 J 1/16W	
L1	LB73H0AV-002	CHIP FERRITE BEADS		
L2	LB73G0AK-001	CHIP FERRITE BEADS		
L3	LB73G0BJ-002	CHIP FERRITE BEADS		
L4	L92-0487-05	CHIP FERRITE		
L5	L92-0487-05	CHIP FERRITE		
L6	LK73H0AG27NJ	M.CHIP INDUCTOR		
L7	LK73H0AM10NJ	M.CHIP INDUCTOR		
L8	L92-0487-05	CHIP FERRITE		
L9	L79-1985-05	FILTER		
L11	L79-1987-05	FILTER		
L13	L92-0487-05	CHIP FERRITE		
L14	L92-0487-05	CHIP FERRITE		
L15	L40-2263-71	SMALL FIXED INDUCTOR(2.2NH)		
CN1	E40-6879-05	FLAT CABLE CONNECTOR		
CN5	E0E-0012-00	RF COAXIAL CABLE RECEPTACLE		
CP1	RK74HB1J100J	NET RESISTOR	10 J 1/16W	
CP2	RK74HB1J100J	NET RESISTOR	10 J 1/16W	
E1	F10-3226-05	SHIELDING CASE		
X1	L77-3123-05	TCXO(19.2MHZ)		
X2	L77-3121-05	CRYSTAL RESONATOR(32.768KHZ)		

SUB (DISPLAY) UNIT

XC3-0020-20(NX-5800_K,NX-5800_K2)

Block No. [0][3]

△ Symbol No.	Part No.	Part Name	Description	Local
IC1	MM3404A50URE	IC(MOS-IC)		
IC2	BU30TD2WNVX	IC(MOS-IC)		
IC3	TC7WT125FUF	IC(MOS-IC)		
IC4	BD11600NUX	IC(MOS-IC)		
IC6	BH1721FVC	IC(MOS-IC)		
IC8	BD1754HFN	IC(MOS-IC)		
IC9	TC7WH126FK	IC(MOS-IC)		
IC10	TC35894FG	IC(MOS-IC)		
IC12	TC7SZ08FE	IC(MOS-IC)		
Q2	SSM6N37FE	FET		
Q3	LTC014EEBFS8	DIGI TRANSISTOR		
Q4	LTC014EEBFS8	DIGI TRANSISTOR		
Q6	LTC014EEBFS8	DIGI TRANSISTOR		
D1	SPC10501A01	VARISTOR		
D2	SPC10501A01	VARISTOR		
D4	B30-2365-05	LED(WHITE)		
D5	B30-2365-05	LED(WHITE)		
D6	B30-2365-05	LED(WHITE)		
D7	B30-2365-05	LED(WHITE)		
D9	B30-2365-05	LED(WHITE)		
D10	B30-2365-05	LED(WHITE)		
D11	B30-2365-05	LED(WHITE)		
D12	B30-2365-05	LED(WHITE)		
D14	B30-2365-05	LED(WHITE)		
D15	B30-2365-05	LED(WHITE)		
D16	B30-2365-05	LED(WHITE)		
D20	DZ2J062(M)	ZENER DIODE		
D21	B30-2364-05	LED(RGB)		
D22	RB521CM-30	DIODE		
D23	SPC10501A01	VARISTOR		
D24	SPC10501A01	VARISTOR		
D25	MINISMDC020F	VARISTOR		
D26	SPC10501A01	VARISTOR		
D27	SPC10501A01	VARISTOR		
D28	DZ2S068M	ZENER DIODE		
D29	DZ2S068M	ZENER DIODE		
D30	DZ2S068M	ZENER DIODE		
D31	EMZ6.8N	ZENER DIODE		
D32	DZ2S068M	ZENER DIODE		
C2	CC73GCH1H101J	C CAPACITOR	100PF J	
C5	CK73GXR1H104K	C CAPACITOR	0.1UF K	
C8	C93-1810-05	C CAPACITOR	4.7UF K	
C9	CC73GCH1H101J	C CAPACITOR	100PF J	
C11	CK73GXR1H104K	C CAPACITOR	0.1UF K	
C16	CC73GCH1H101J	C CAPACITOR	100PF J	
C18	CK73GXR1H104K	C CAPACITOR	0.1UF K	
C22	CC73GCH1H101J	C CAPACITOR	100PF J	
C24	CK73GXR1H104K	C CAPACITOR	0.1UF K	
C29	CC73GCH1H101J	C CAPACITOR	100PF J	
C32	CC73GCH1H101J	C CAPACITOR	100PF J	
C42	CC73GCH1H470J	C CAPACITOR	47PF J	
C43	CC73GCH1H470J	C CAPACITOR	47PF J	
C44	CC73HCH1H101J	C CAPACITOR	100PF J	
C45	CK73GBB1H102K	C CAPACITOR	0.010UF K	
C46	CK73GBB1H102K	C CAPACITOR	0.010UF K	
C48	CK73GBB1H102K	C CAPACITOR	0.010UF K	
C50	CK73GBB1H102K	C CAPACITOR	0.010UF K	
C52	CC73HCH1H101J	C CAPACITOR	100PF J	
C53	CC73HCH1H101J	C CAPACITOR	100PF J	
C54	CK73GB1E105K	C CAPACITOR	1.0UF K	
C55	CC73HCH1H101J	C CAPACITOR	100PF J	
C56	CC73HCH1H101J	C CAPACITOR	100PF J	
C57	CK73GB1E105K	C CAPACITOR	1.0UF K	
C58	CK73GB1E105K	C CAPACITOR	1.0UF K	
C59	CK73GB1E105K	C CAPACITOR	1.0UF K	
C62	CK73HB1E104K	C CAPACITOR	0.10UF K	
C63	CK73GB1E105K	C CAPACITOR	1.0UF K	
C64	CK73HB1E104K	C CAPACITOR	0.10UF K	
C65	CK73HBB1E103K	C CAPACITOR	0.10UF K	

△ Symbol No.	Part No.	Part Name	Description	Local	△ Symbol No.	Part No.	Part Name	Description	Local
C66	CK73HB1E104K	C CAPACITOR	0.10UF K		R98	RK73HB1J222J	MG RESISTOR	2.2K J 1/16W	
C67	CK73HB1E104K	C CAPACITOR	0.10UF K		R99	RK73HB1J222J	MG RESISTOR	2.2K J 1/16W	
C68	CK73HB1E104K	C CAPACITOR	0.10UF K						
C69	CK73HB1E104K	C CAPACITOR	0.10UF K		L1	LB73G0AM-004	CHIP FERRITE BEADS		
C70	CK73GBB1H102K	C CAPACITOR	0.010UF K		L2	LB73G0AM-004	CHIP FERRITE BEADS		
C71	CK73GXR1H104K	C CAPACITOR	0.1UF K		L3	LB73H0AV-003	CHIP FERRITE BEADS		
C73	CK73HB1E104K	C CAPACITOR	0.10UF K		L4	LB73H0AV-003	CHIP FERRITE BEADS		
C74	CK73GB1E105K	C CAPACITOR	1.0UF K		L5	LB73G0AM-004	CHIP FERRITE BEADS		
C75	CK73HB1E104K	C CAPACITOR	0.10UF K		L11	LB73H0AV-003	CHIP FERRITE BEADS		
C76	CK73GBB1H102K	C CAPACITOR	0.010UF K		L14	LB73H0AV-003	CHIP FERRITE BEADS		
C79	CK73GBB1H102K	C CAPACITOR	0.010UF K		L15	LB73G0AM-004	CHIP FERRITE BEADS		
C83	CK73HB1E104K	C CAPACITOR	0.10UF K		L16	LB73H0AV-003	CHIP FERRITE BEADS		
C84	CK73HB1E104K	C CAPACITOR	0.10UF K		L17	LB73H0AV-003	CHIP FERRITE BEADS		
C87	CC73HCH1H101J	C CAPACITOR	100PF J		L18	LB73H0AV-003	CHIP FERRITE BEADS		
C90	CK73GBB1H102K	C CAPACITOR	0.010UF K						
C101	CK73GBB1H102K	C CAPACITOR	0.010UF K		CN2	E41-2673-05	PIN ASSY		
					CN4	E40-6965-05	FLAT CABLE CONNECTOR		
R3	RK73HB1J000J	MG RESISTOR	0.0 J 1/16W		CN5	E41-2671-05	PIN ASSY		
R4	RK73HB1J000J	MG RESISTOR	0.0 J 1/16W		CN6	E40-6913-05	FLAT CABLE CONNECTOR		
R5	RK73HB1J000J	MG RESISTOR	0.0 J 1/16W		J1	E58-0535-05	MODULAR JACK		
R6	RK73HB1J000J	MG RESISTOR	0.0 J 1/16W		S1	S70-0901-05	TACT SWITCH		
R7	RK73HB1J000J	MG RESISTOR	0.0 J 1/16W		S2	S70-0901-05	TACT SWITCH		
R9	RK73HB1J000J	MG RESISTOR	0.0 J 1/16W		S3	S70-0901-05	TACT SWITCH		
R10	RK73HB1J000J	MG RESISTOR	0.0 J 1/16W		S4	S70-0901-05	TACT SWITCH		
R11	RK73HB1J000J	MG RESISTOR	0.0 J 1/16W		S5	S70-0901-05	TACT SWITCH		
R12	RK73HB1J000J	MG RESISTOR	0.0 J 1/16W		S6	S70-0901-05	TACT SWITCH		
R17	RK73HB1J000J	MG RESISTOR	0.0 J 1/16W		S7	S70-0901-05	TACT SWITCH		
R18	RK73HB1J000J	MG RESISTOR	0.0 J 1/16W		S8	S70-0901-05	TACT SWITCH		
R19	RK73HB1J000J	MG RESISTOR	0.0 J 1/16W		S9	S70-0901-05	TACT SWITCH		
R20	RK73HB1J101J	MG RESISTOR	100 J 1/16W		S10	S70-0901-05	TACT SWITCH		
R21	RK73HB1J331J	MG RESISTOR	330 J 1/16W		S11	S70-0901-05	TACT SWITCH		
R22	RK73HB1J331J	MG RESISTOR	330 J 1/16W		S12	S70-0901-05	TACT SWITCH		
R23	RK73HB1J331J	MG RESISTOR	330 J 1/16W						
R24	RK73HB1J331J	MG RESISTOR	330 J 1/16W						
R25	RK73HB1J101J	MG RESISTOR	100 J 1/16W						
R26	RK73HB1J222J	MG RESISTOR	2.2K J 1/16W						
R27	RK73HB1J331J	MG RESISTOR	330 J 1/16W						
R28	RK73HB1J331J	MG RESISTOR	330 J 1/16W						
R29	RK73HB1J331J	MG RESISTOR	330 J 1/16W						
R30	RK73HB1J331J	MG RESISTOR	330 J 1/16W						
R31	RK73HB1J101J	MG RESISTOR	100 J 1/16W						
R32	RK73HB1J331J	MG RESISTOR	330 J 1/16W						
R33	RK73HB1J331J	MG RESISTOR	330 J 1/16W						
R34	RK73HB1J331J	MG RESISTOR	330 J 1/16W						
R38	RK73HB1J101J	MG RESISTOR	100 J 1/16W						
R39	RK73HB1J101J	MG RESISTOR	100 J 1/16W						
R40	RK73HB1J101J	MG RESISTOR	100 J 1/16W						
R41	RK73HB1J101J	MG RESISTOR	100 J 1/16W						
R42	RK73HB1J102J	MG RESISTOR	1.0K J 1/16W						
R43	RK73HB1J102J	MG RESISTOR	1.0K J 1/16W						
R46	RK73HB1J681J	MG RESISTOR	680 J 1/16W						
R47	RK73HB1J103J	MG RESISTOR	10K J 1/16W						
R48	RK73GB2A151J	MG RESISTOR	150 J 1/10W						
R49	RK73HB1J222J	MG RESISTOR	2.2K J 1/16W						
R50	RK73HB1J222J	MG RESISTOR	2.2K J 1/16W						
R51	RK73HB1J222J	MG RESISTOR	2.2K J 1/16W						
R52	RK73HB1J102J	MG RESISTOR	1.0K J 1/16W						
R53	RK73HB1J103J	MG RESISTOR	10K J 1/16W						
R54	RK73HB1J473J	MG RESISTOR	47K J 1/16W						
R55	RK73HB1J473J	MG RESISTOR	47K J 1/16W						
R60	RK73HB1J000J	MG RESISTOR	0.0 J 1/16W						
R61	RK73HB1J000J	MG RESISTOR	0.0 J 1/16W						
R62	RK73HB1J000J	MG RESISTOR	0.0 J 1/16W						
R63	RK73HB1J000J	MG RESISTOR	0.0 J 1/16W						
R64	RK73HB1J000J	MG RESISTOR	0.0 J 1/16W						
R65	RK73HB1J000J	MG RESISTOR	0.0 J 1/16W						
R66	RK73HB1J101J	MG RESISTOR	100 J 1/16W						
R69	RK73HH1J274D	MG RESISTOR	270K D 1/16W						
R71	RK73GB2A000J	MG RESISTOR	0.0 J 1/10W						
R77	RK73HB1J222J	MG RESISTOR	2.2K J 1/16W						
R78	RK73HB1J222J	MG RESISTOR	2.2K J 1/16W						
R79	RK73HB1J222J	MG RESISTOR	2.2K J 1/16W						
R81	RK73HB1J103J	MG RESISTOR	10K J 1/16W						
R82	RK73HB1J222J	MG RESISTOR	2.2K J 1/16W						
R83	RK73HB1J000J	MG RESISTOR	0.0 J 1/16W						
R86	RK73GB2A000J	MG RESISTOR	0.0 J 1/10W						
R87	RK73HB1J222J	MG RESISTOR	2.2K J 1/16W						
R88	RK73HB1J102J	MG RESISTOR	1.0K J 1/16W						