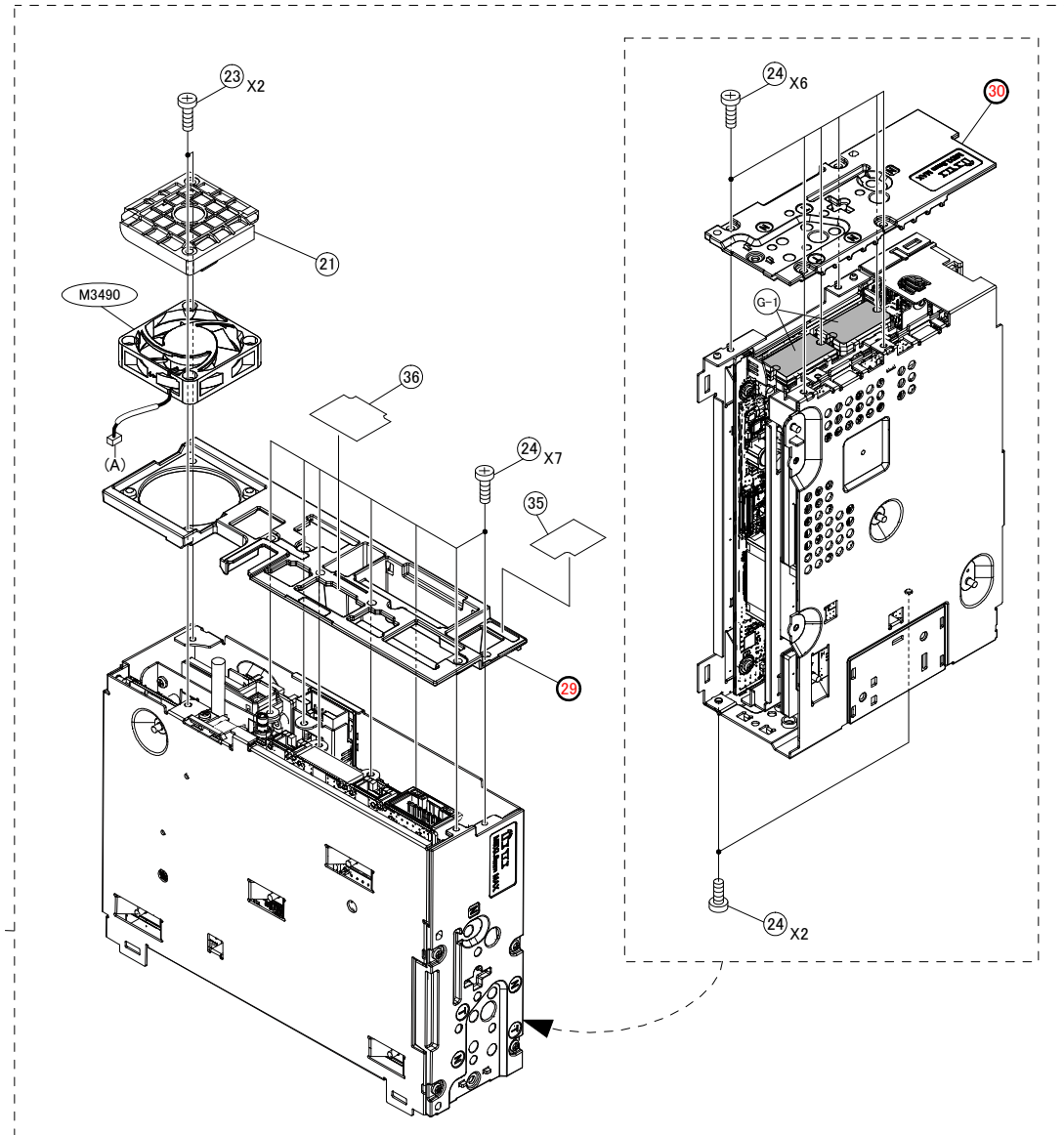
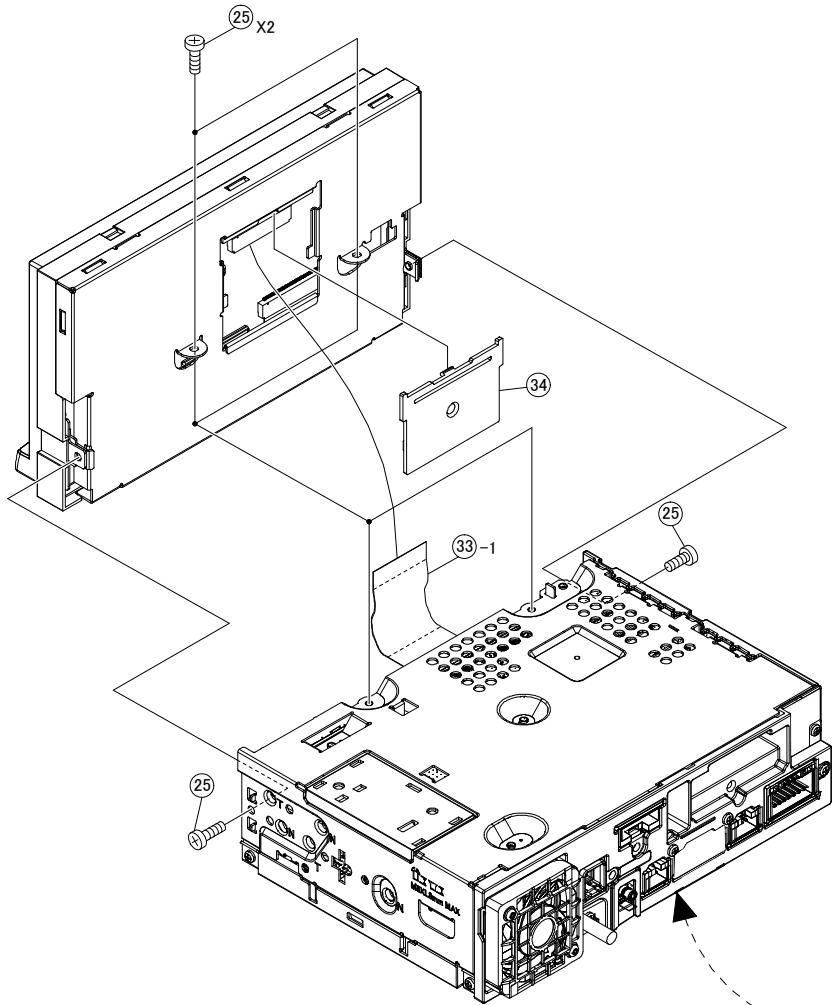


Exploded View (Cabinet) (1/4)

NOTE : The place of the connection of (A) as shown in (), is mentioned in the "Exploded View (Cabinet) (2/4)".

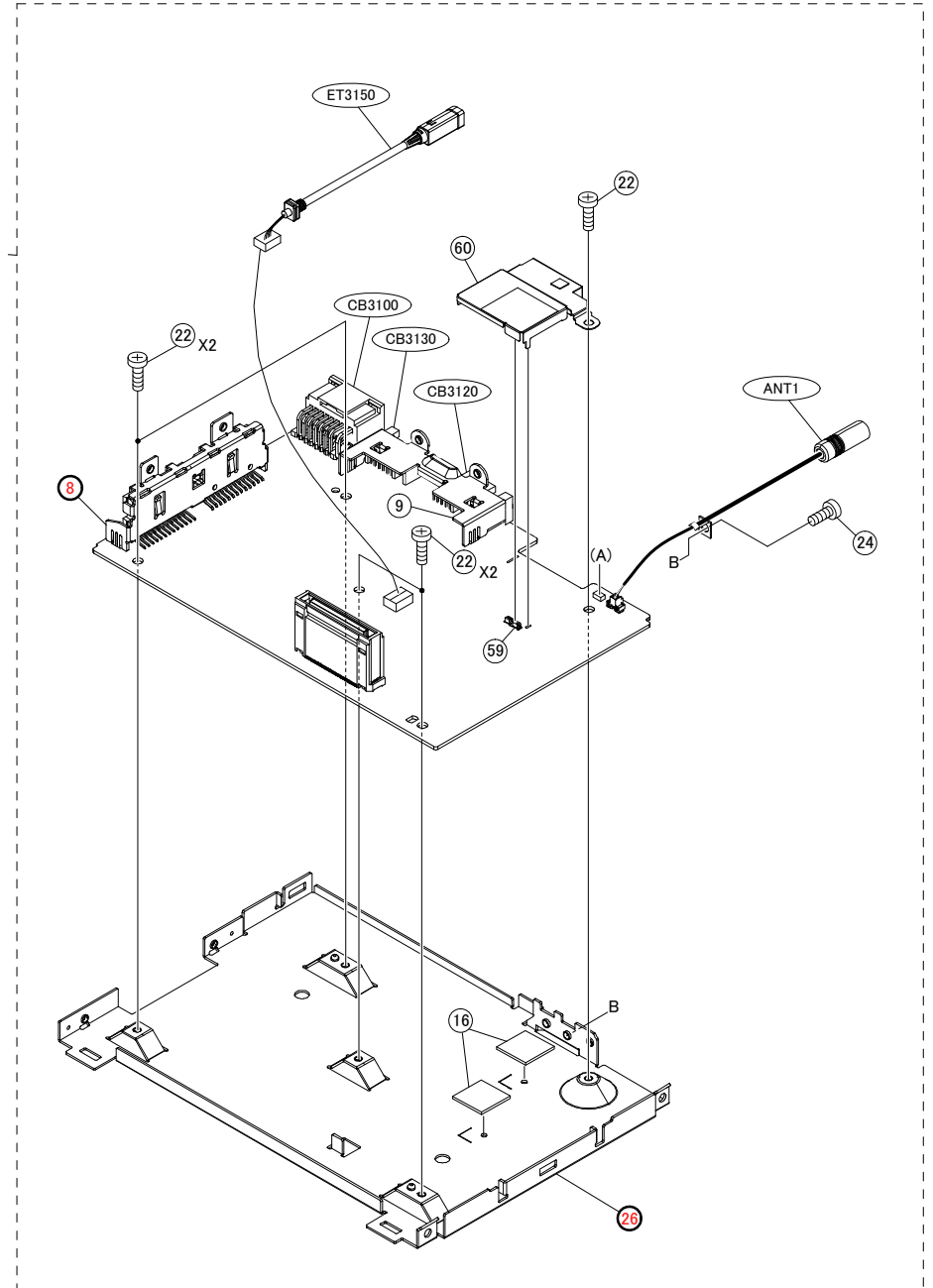
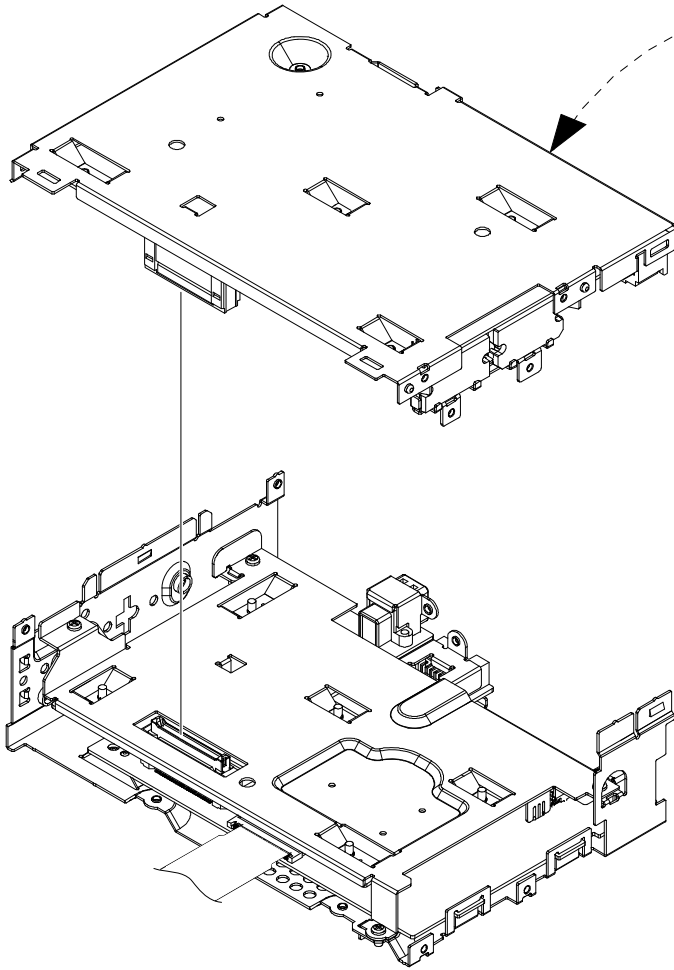


.....point of GREASE applied.

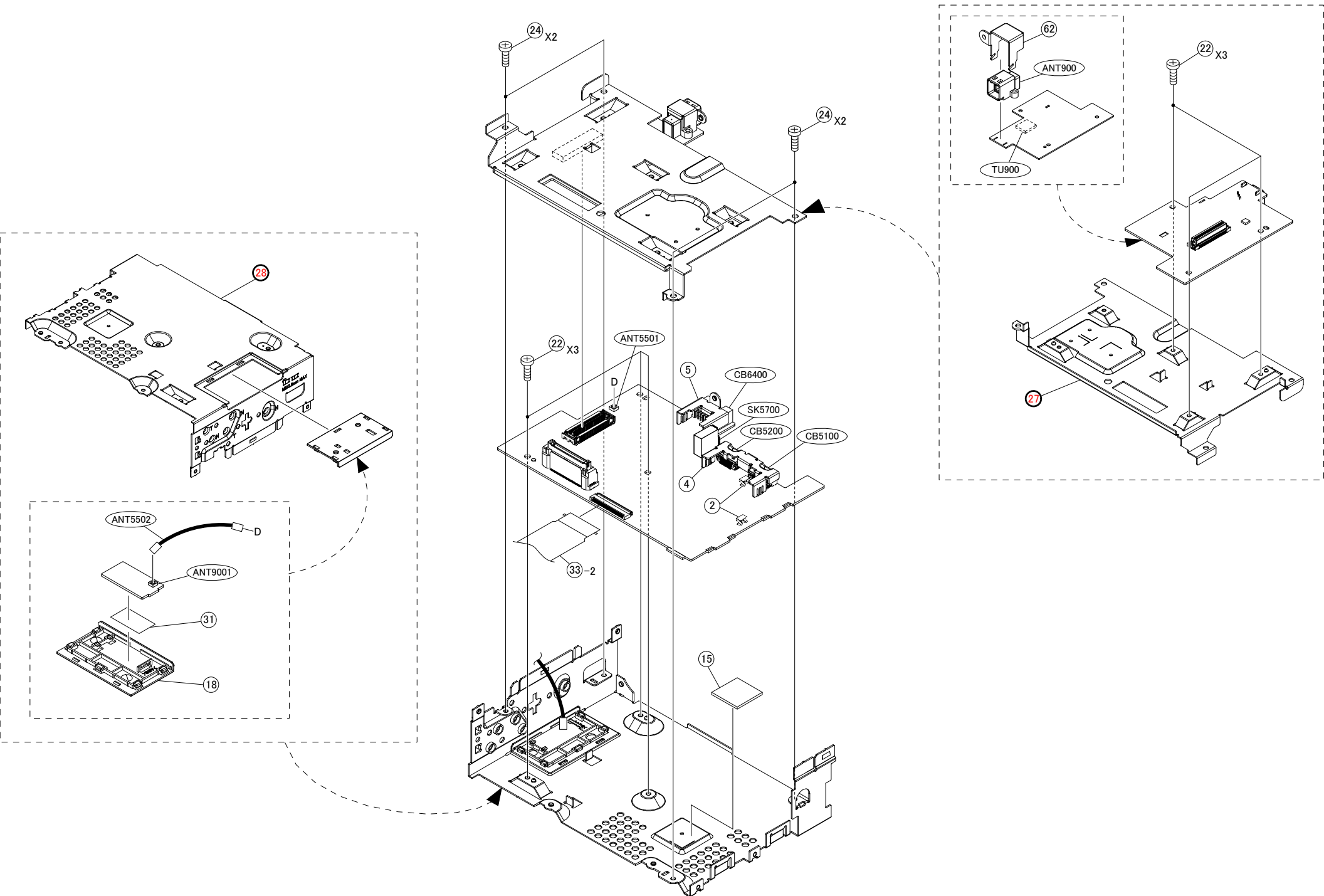
(G-1) GREASE G747 (11S42419J30)

Exploded View (Cabinet) (2/4)

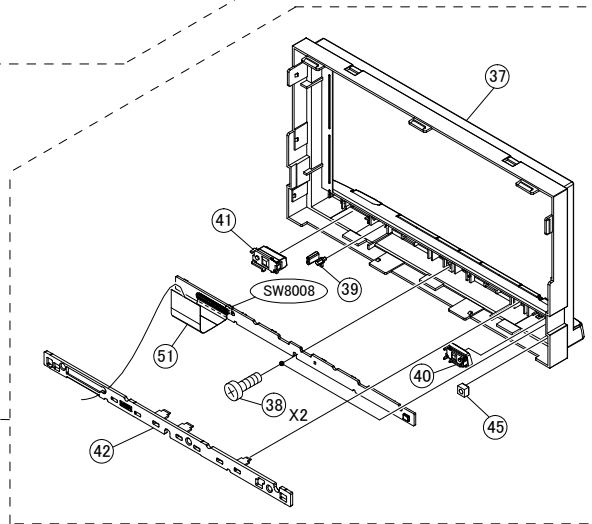
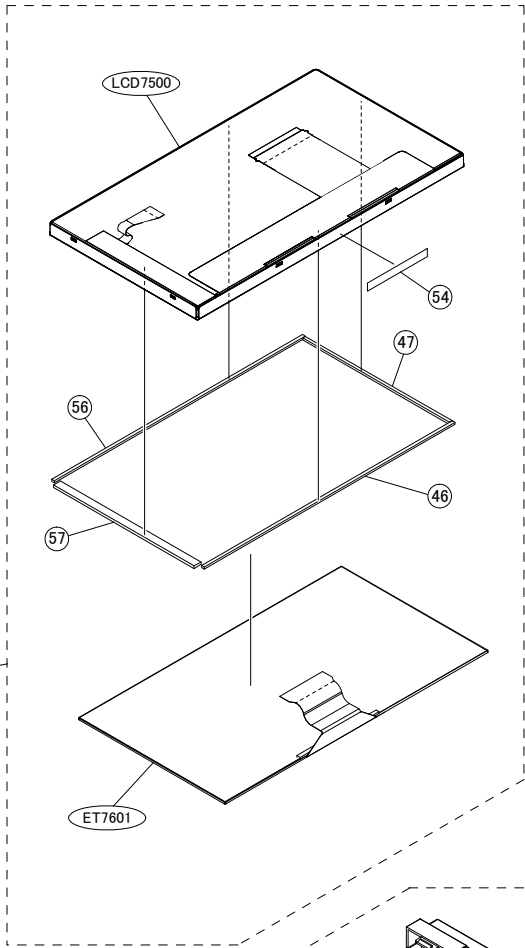
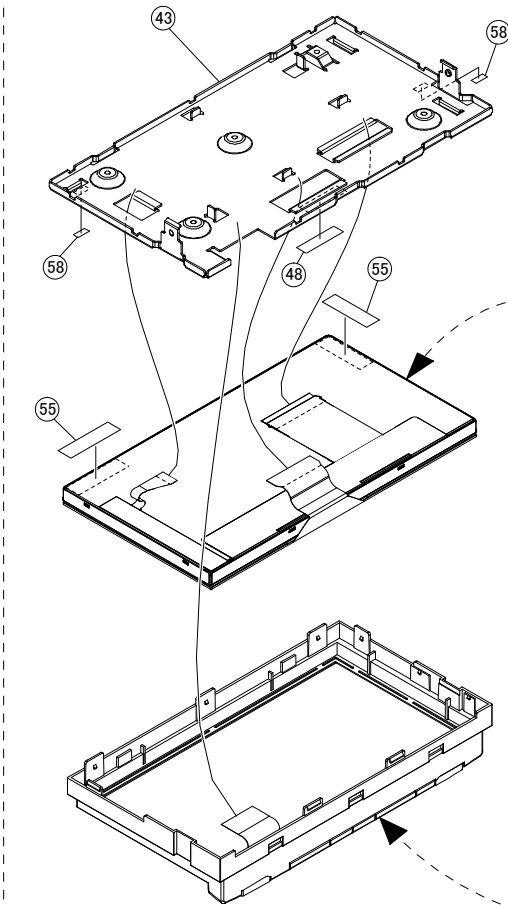
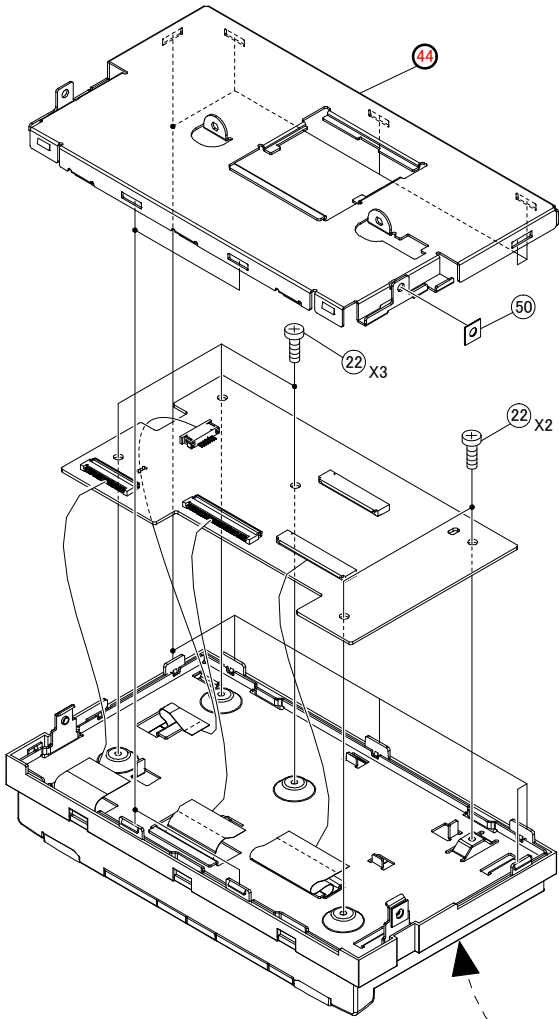
NOTE : The place of the connection of (A) as shown in (),
is mentioned in the "Exploded View (Cabinet) (1/4)".



Exploded View (Cabinet) (3/4)



Exploded View (Cabinet) (4/4)

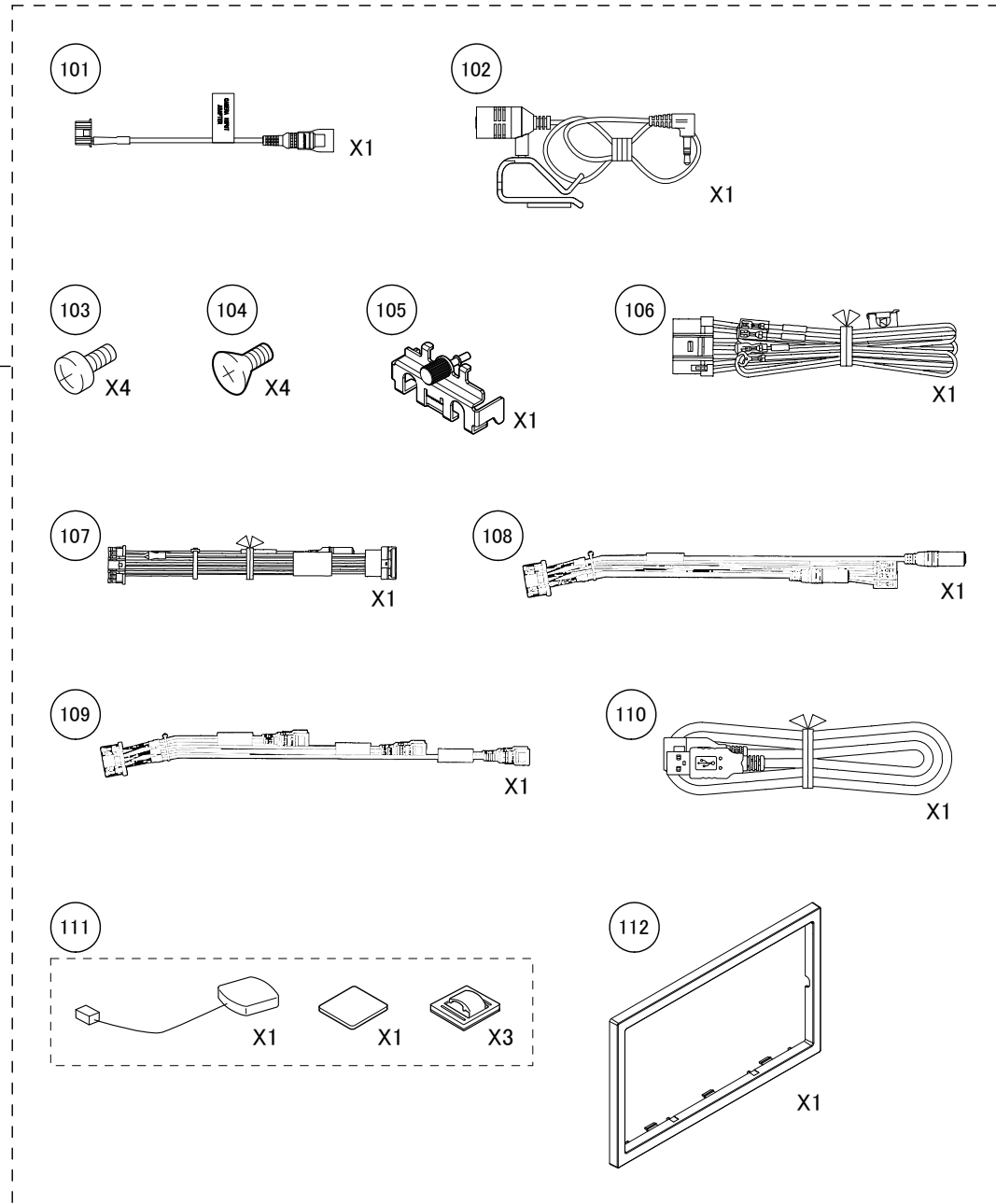
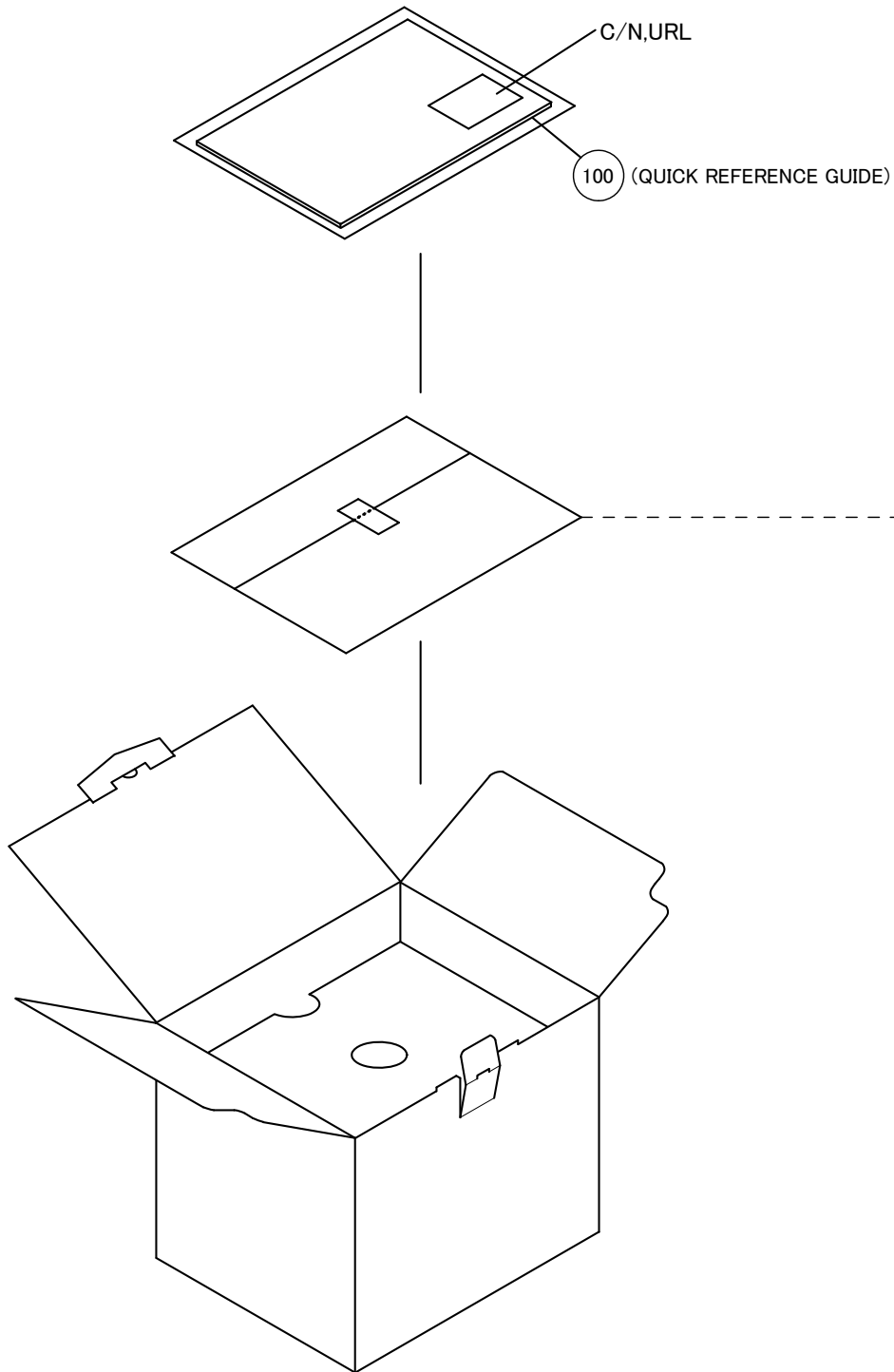


MODEL	Symbol No.	Parts No.	Description
	2	29-22483Z02	OG-453065 -E5
	4	07-30182Z01	BKT,CONN HDMI
	5	07-30183Z01	BKT,CONN CAN
	8	-----	BKT,IC
	9	07-30184Z01	BKT,CONN PREOUT
	15	75-31381Z02	5580H-1.5-20-20
	16	75-31381Z03	5580H-5.5-12-12
	18	15-29982Z01	COVER,PLATE TOP
	21	15-12877Z01	COVER,FAN
	22	03-12686Z01	SCR,S-T 2.6X6 ZN ATP
	23	03S60822Y31	SCR,S-T 2.6X18 ZN A
	24	03S60822Y10	SCR,S-T 2.6X5 ZN A
	25	03-00340Z01	SCR,S-T 2.6X6 ZB A
	26	-----	CHAS,BASE
	27	-----	SHIELD,MIDDLE
	28	-----	COVER,TOP
	29	-----	BKT,REAR
	30	-----	HEAT,SINK
	31	14-28478Z77	INS,CVR 24X14XT0.15
	33	84-31247Z01	FPC,LIMO IMX-DISP
	34	15-29983Z01	COVER,FPC
	35	14-30499Z01	INS,REAR LVDS
	36	14-30500Z01	INS,REAR KEY
	37	EN-30008Z06	NOSE,MONITOR ASSY
	38	03S60823Y01	SCR,P-T 1.7X6 ZN A

MODEL	Symbol No.	Parts No.	Description
	39	36-29976Z01	KNOB,RESET
	40	36-31160Z01	KNOB,AUDIO ASSY
	41	36-31160Z02	KNOB,NAVI ASSY
	42	15-29981Z01	COVER,PWB KEY
	43	07-29959Z01	BKT,LCD
	44	-----	BKT,MONITOR
	45	75-26016Z01	CUS,RUB MIC
	46	14-31238Z09	INS,CVR 163X2XT1
	47	14-31238Z10	INS,CVR 84X2XT1
	48	75-26715Z38	CUS,RUB 25X4XT1
	50	14-30498Z01	INS,NOSE SIDE
	51	30-15488Z23	SML2CD-40X33.5-BDX6
	54	75-26715Z46	CUS,RUB 45X7XT0.5
	55	14-31238Z23	INS,CVR 20X7XT0.5
	56	14-31238Z22	INS,CVR 163X2XT1
	57	14-31238Z08	INS,CVR 81.2X4XT1
	58	32-26196Z01	GASKET,65TSV5-3-8.5
	59	29-22540Z01	OGCP-702020 -E4
	60	26-31254Z01	SHIELD,RADIO
	62	07-13009Z01	BKT,CONN GPS
	ANT1	09-17241Z06	ASSY,ANID-0116-06A
	ANT5501	09-07494Z01	U.FL-R-SMT-1(80)-E2
	ANT5502	09-24492Z04	ASSY,U.FL-2LP-066N1
	ANT900	09T45601Y01	GT5-1P-DS(70) -DB
	ANT9001	09-07494Z01	U.FL-R-SMT-1(80)-E2

MODEL	Symbol No.	Parts No.	Description
	CB3100	09T35473Y16	WTB,F169B001-16 -DB
	CB3120	09-25106Z01	WTB,S10B-PUDSS-1 -DB
	CB3130	09-25106Z02	WTB,S12B-PUDSS-1 -DB
	CB5100	09-25213Z01	WTB,TCX3400-011187-T
	CB5200	09-25213Z01	WTB,TCX3400-011187-T
	CB6400	09-25106Z05	WTB,S18B-PUDSS-1 -DB
	ET3150	09-19615Z02	ASSY,ANID-0139-02A
	ET7601	40-29927Z01	ASSY,HCDSS0A002A
	LCD7500	65-30872Z01	ASSY,A070VTN03.0
	M3490	59-14185Z03	MOTOR,ASB0412MA-9D11
	SK5700	09-34073Z01	SKT,48204-0001 -DB
	SW8008	40T65353Y01	SW,TACT SKRSPACE010E2
	TU900	TU-34948Z01	GPS GV-8720B -EA

Packing Method View



MODEL	Symbol No.	Parts No.	Description
	100	68-34732Z14	C/N QRG AOAM AOIW
	101	09-18014Z01	ASSY,ANID-0125-01A
	102	50-14386Z03	ASSY,LYS-M9750-FUL
	103	03S60820Y17	SCR,MCH 5X8 ZN A
	104	03S60820Y16	SCR,MCH 5X8 ZN A
	105	07-30181Z01	BKT,HDMI ASSY
	106	09-17244Z09	ASSY,ANIC-0050-09A
	107	09-31132Z01	ASSY,ANID-0204-01A
	108	09-31131Z01	ASSY,ANID-0203-01A
	109	09-31130Z01	ASSY,ANID-0202-01A
	110	09-22649Z04	ASSY,ANID-0179-04A
	111	85-34947Z01	ASSY,YOP-5270AL01
	112	33-12546Z01	FACE,PLATE

P.W.Board	MIS	MODEL	Ref.	Parts No.	Parts Name
-----------	-----	-------	------	-----------	------------

IC2000(*) :51-23912Z01(MTP,D70F3479AGJAQ-QT)

IC2202(*) :51-18520Z01(MX25L8035EM21-10G-ST)


IC3001(*) :51-30259Z02(S25FL116K0XMFA040-ST)

IC4300(*) :51-27465Z01(S29GL256S90TFI010-ST)

IC4400(*) :51-34725Z02(H26M41208HPRN -BT)

IC7601(*) :51-25191Z01(CY8CTMA616AA-12 -QT)

Software is not written in to the part indicated with (*).

AUDIO-P.W.Board		ANT1	09-17241Z06	ASSY,ANID-0116-06A
AUDIO-P.W.Board		C2000	08S45231Y17	CAP,CER 22RJ-CH1H-CP
AUDIO-P.W.Board		C2001	08S45231Y17	CAP,CER 22RJ-CH1H-CP
AUDIO-P.W.Board		C2004	08S45232Y05	CAP,CER 102K-B1H -CP
AUDIO-P.W.Board		C2005	08S45232Y05	CAP,CER 102K-B1H -CP
AUDIO-P.W.Board		C2006	08S45232Y05	CAP,CER 102K-B1H -CP
AUDIO-P.W.Board		C2008	08S45232Y21	CAP,CER 104K-B1A-CP
AUDIO-P.W.Board		C2009	08S65669Y03	CAP,CER 224KX7R1H-CP
AUDIO-P.W.Board		C2010	08S45676W93	CAP,CER 224K-B1A -CP
AUDIO-P.W.Board		C2011	08S45676W93	CAP,CER 224K-B1A -CP
AUDIO-P.W.Board		C2012	08S45676W93	CAP,CER 224K-B1A -CP

P.W.Board	MIS	MODEL	Ref.	Parts No.	Parts Name
AUDIO-P.W.Board			C2013	08S45676W93	CAP,CER 224K-B1A -CP
AUDIO-P.W.Board			C2014	08S45676W93	CAP,CER 224K-B1A -CP
AUDIO-P.W.Board			C2015	08-15113Z03	CAP,CER 475KX7R1C-CP
AUDIO-P.W.Board			C2016	08S45232Y21	CAP,CER 104K-B1A-CP
AUDIO-P.W.Board			C2017	08S45232Y21	CAP,CER 104K-B1A-CP
AUDIO-P.W.Board			C2018	08S45232Y21	CAP,CER 104K-B1A-CP
AUDIO-P.W.Board			C2019	08S45232Y21	CAP,CER 104K-B1A-CP
AUDIO-P.W.Board			C2020	08S45232Y21	CAP,CER 104K-B1A-CP
AUDIO-P.W.Board			C2021	08S45232Y21	CAP,CER 104K-B1A-CP
AUDIO-P.W.Board			C2023	08S45232Y21	CAP,CER 104K-B1A-CP
AUDIO-P.W.Board			C2024	08S45232Y21	CAP,CER 104K-B1A-CP
AUDIO-P.W.Board			C2050	08S45231Y31	CAP,CER 331J-CH1H-CP
AUDIO-P.W.Board			C2180	08-23325Z19	CAP,CER 224KX7R1C-CP
AUDIO-P.W.Board			C2190	08S45232Y21	CAP,CER 104K-B1A-CP
AUDIO-P.W.Board			C2192	08S45232Y21	CAP,CER 104K-B1A-CP

P.W.Board	MIS	MODEL	Ref.	Parts No.	Parts Name
AUDIO-P.W.Board		C2201	08S65668Y05		CAP,CER 224KX5R1A-CP
AUDIO-P.W.Board		C2206	08S45676W73		CAP,CER.103K-B1H -CP
AUDIO-P.W.Board		C2208	08-15113Z01		CAP,CER 225KX7R1C-CP
AUDIO-P.W.Board		C2209	08-15113Z01		CAP,CER 225KX7R1C-CP
AUDIO-P.W.Board		C2210	08-15113Z01		CAP,CER 225KX7R1C-CP
AUDIO-P.W.Board		C2211	08-15113Z01		CAP,CER 225KX7R1C-CP
AUDIO-P.W.Board		C2212	08S45231Y38		CAP,CER 102J-CH1H-CP
AUDIO-P.W.Board		C2213	08-23326Z03		CAP,CER 224KX7R1A-CP
AUDIO-P.W.Board		C2214	08-23325Z04		CAP,CER 332KX7R1H-CP
AUDIO-P.W.Board		C2215	08S45232Y21		CAP,CER 104K-B1A-CP
AUDIO-P.W.Board		C2216	08S65669Y05		CAP,CER 106KX7R0J-CP
AUDIO-P.W.Board		C2217	08S45232Y21		CAP,CER 104K-B1A-CP
AUDIO-P.W.Board		C2218	08S45232Y21		CAP,CER 104K-B1A-CP
AUDIO-P.W.Board		C2219	08S45232Y21		CAP,CER 104K-B1A-CP
AUDIO-P.W.Board		C2220	08S45232Y21		CAP,CER 104K-B1A-CP

P.W.Board	MIS	MODEL	Ref.	Parts No.	Parts Name
AUDIO-P.W.Board		C2221	08S45231Y38		CAP,CER 102J-CH1H-CP
AUDIO-P.W.Board		C2222	08-23325Z07		CAP,CER 103KX7R1C-CP
AUDIO-P.W.Board		C2223	08S45676W65		CAP,CER.222K-B1H -CP
AUDIO-P.W.Board		C2224	08-23325Z07		CAP,CER 103KX7R1C-CP
AUDIO-P.W.Board		C2225	08S45232Y21		CAP,CER 104K-B1A-CP
AUDIO-P.W.Board		C2226	08S45232Y21		CAP,CER 104K-B1A-CP
AUDIO-P.W.Board		C2227	08-23325Z04		CAP,CER 332KX7R1H-CP
AUDIO-P.W.Board		C2228	08S45232Y21		CAP,CER 104K-B1A-CP
AUDIO-P.W.Board		C2229	08S45231Y13		CAP,CER 10RD-CH1H-CP
AUDIO-P.W.Board		C2230	08S45232Y21		CAP,CER 104K-B1A-CP
AUDIO-P.W.Board		C2231	08S45231Y13		CAP,CER 10RD-CH1H-CP
AUDIO-P.W.Board		C2232	08S45231Y38		CAP,CER 102J-CH1H-CP
AUDIO-P.W.Board		C2234	08S45232Y21		CAP,CER 104K-B1A-CP
AUDIO-P.W.Board		C2235	08S45232Y21		CAP,CER 104K-B1A-CP
AUDIO-P.W.Board		C2236	08S45232Y21		CAP,CER 104K-B1A-CP

P.W.Board	MIS	MODEL	Ref.	Parts No.	Parts Name
AUDIO-P.W.Board		C2237	08S45232Y21		CAP,CER 104K-B1A-CP
AUDIO-P.W.Board		C2238	08S45232Y21		CAP,CER 104K-B1A-CP
AUDIO-P.W.Board		C2239	08S65676Y05		CAP,CER 105KX7R1E-CP
AUDIO-P.W.Board		C2240	08S65676Y02		CAP,CER 475KX7R1A-CP
AUDIO-P.W.Board		C2241	08-23325Z04		CAP,CER 332KX7R1H-CP
AUDIO-P.W.Board		C2242	08-23325Z04		CAP,CER 332KX7R1H-CP
AUDIO-P.W.Board		C2243	08S45232Y21		CAP,CER 104K-B1A-CP
AUDIO-P.W.Board		C2244	08-23325Z04		CAP,CER 332KX7R1H-CP
AUDIO-P.W.Board		C2245	08-23325Z04		CAP,CER 332KX7R1H-CP
AUDIO-P.W.Board		C2246	08S45232Y21		CAP,CER 104K-B1A-CP
AUDIO-P.W.Board		C2247	08S45232Y21		CAP,CER 104K-B1A-CP
AUDIO-P.W.Board		C2248	08S45232Y21		CAP,CER 104K-B1A-CP
AUDIO-P.W.Board		C2249	08S45232Y21		CAP,CER 104K-B1A-CP
AUDIO-P.W.Board		C2250	08S45232Y21		CAP,CER 104K-B1A-CP
AUDIO-P.W.Board		C2251	08S45232Y21		CAP,CER 104K-B1A-CP

P.W.Board	MIS	MODEL	Ref.	Parts No.	Parts Name
AUDIO-P.W.Board		C2252	08S45232Y21		CAP,CER 104K-B1A-CP
AUDIO-P.W.Board		C2253	08S45232Y21		CAP,CER 104K-B1A-CP
AUDIO-P.W.Board		C2254	08-23325Z04		CAP,CER 332KX7R1H-CP
AUDIO-P.W.Board		C2255	08-23325Z04		CAP,CER 332KX7R1H-CP
AUDIO-P.W.Board		C2256	08S45232Y21		CAP,CER 104K-B1A-CP
AUDIO-P.W.Board		C2257	08S45231Y31		CAP,CER 331J-CH1H-CP
AUDIO-P.W.Board		C2258	08S45231Y31		CAP,CER 331J-CH1H-CP
AUDIO-P.W.Board		C2259	08S45232Y21		CAP,CER 104K-B1A-CP
AUDIO-P.W.Board		C2400	08S65669Y03		CAP,CER 224KX7R1H-CP
AUDIO-P.W.Board		C2401	08-30898Z01		CAP,TF 155K-1C -CP
AUDIO-P.W.Board		C2402	08-30898Z01		CAP,TF 155K-1C -CP
AUDIO-P.W.Board		C2403	08-30898Z01		CAP,TF 155K-1C -CP
AUDIO-P.W.Board		C2404	08-30898Z01		CAP,TF 155K-1C -CP
AUDIO-P.W.Board		C2405	08S65670Y03		CAP,CER 335KX5R1E-CP
AUDIO-P.W.Board		C2406	08S65670Y03		CAP,CER 335KX5R1E-CP

P.W.Board	MIS	MODEL	Ref.	Parts No.	Parts Name
AUDIO-P.W.Board			C2407	08S45676W85	CAP,CER 104K-B1C -CP
AUDIO-P.W.Board			C2408	08S65669Y03	CAP,CER 224KX7R1H-CP
AUDIO-P.W.Board			C2409	08S65669Y03	CAP,CER 224KX7R1H-CP
AUDIO-P.W.Board			C2410	08S65669Y03	CAP,CER 224KX7R1H-CP
AUDIO-P.W.Board			C2411	08S65669Y03	CAP,CER 224KX7R1H-CP
AUDIO-P.W.Board			C2412	08S65669Y03	CAP,CER 224KX7R1H-CP
AUDIO-P.W.Board			C2413	08S65669Y03	CAP,CER 224KX7R1H-CP
AUDIO-P.W.Board			C2414	08S65669Y03	CAP,CER 224KX7R1H-CP
AUDIO-P.W.Board			C2415	08S65669Y03	CAP,CER 224KX7R1H-CP
AUDIO-P.W.Board			C2416	08S65669Y03	CAP,CER 224KX7R1H-CP
AUDIO-P.W.Board			C2417	08S65669Y03	CAP,CER 224KX7R1H-CP
AUDIO-P.W.Board			C2418	08S45232Y08	CAP,CER 332K-B1H -CP
AUDIO-P.W.Board			C2419	08S45231Y17	CAP,CER 22RJ-CH1H-CP
AUDIO-P.W.Board			C2420	08-30898Z01	CAP,TF 155K-1C -CP
AUDIO-P.W.Board			C2421	08-30898Z01	CAP,TF 155K-1C -CP

P.W.Board	MIS	MODEL	Ref.	Parts No.	Parts Name
AUDIO-P.W.Board		C2422	08-30898Z01		CAP,TF 155K-1C -CP
AUDIO-P.W.Board		C2423	08-30898Z01		CAP,TF 155K-1C -CP
AUDIO-P.W.Board		C2424	08-15113Z03		CAP,CER 475KX7R1C-CP
AUDIO-P.W.Board		C2425	08-15113Z03		CAP,CER 475KX7R1C-CP
AUDIO-P.W.Board		C2426	08S45231Y13		CAP,CER 10RD-CH1H-CP
AUDIO-P.W.Board		C2427	08S45231Y13		CAP,CER 10RD-CH1H-CP
AUDIO-P.W.Board		C2428	08S65670Y03		CAP,CER 335KX5R1E-CP
AUDIO-P.W.Board		C2429	08S65670Y03		CAP,CER 335KX5R1E-CP
AUDIO-P.W.Board		C2430	08S45231Y13		CAP,CER 10RD-CH1H-CP
AUDIO-P.W.Board		C2431	08S45231Y13		CAP,CER 10RD-CH1H-CP
AUDIO-P.W.Board		C2432	08S45231Y13		CAP,CER 10RD-CH1H-CP
AUDIO-P.W.Board		C2433	08S45231Y13		CAP,CER 10RD-CH1H-CP
AUDIO-P.W.Board		C2434	08S65670Y03		CAP,CER 335KX5R1E-CP
AUDIO-P.W.Board		C2435	08S65670Y03		CAP,CER 335KX5R1E-CP
AUDIO-P.W.Board		C2436	08S35350Y04		CAP,CER 105K-B1C -CP

P.W.Board	MIS	MODEL	Ref.	Parts No.	Parts Name
AUDIO-P.W.Board			C2437	08S45231Y17	CAP,CER 22RJ-CH1H-CP
AUDIO-P.W.Board			C2440	08S65677Y06	CAP,CER 226MX7R1C-CP
AUDIO-P.W.Board			C2441	08S65677Y06	CAP,CER 226MX7R1C-CP
AUDIO-P.W.Board			C2442	08S65676Y05	CAP,CER 105KX7R1E-CP
AUDIO-P.W.Board			C2443	08S65676Y05	CAP,CER 105KX7R1E-CP
AUDIO-P.W.Board			C2444	08S65677Y06	CAP,CER 226MX7R1C-CP
AUDIO-P.W.Board			C2445	08S45232Y21	CAP,CER 104K-B1A-CP
AUDIO-P.W.Board			C2446	08S65669Y03	CAP,CER 224KX7R1H-CP
AUDIO-P.W.Board			C2447	08S65676Y10	CAP,CER 106KX7R1C-CP
AUDIO-P.W.Board			C2449	08S65670Y01	CAP,CER 106KX5R1C-CP
AUDIO-P.W.Board			C2450	08S35350Y04	CAP,CER 105K-B1C -CP
AUDIO-P.W.Board			C2452	08S35350Y04	CAP,CER 105K-B1C -CP
AUDIO-P.W.Board			C2453	08S45231Y17	CAP,CER 22RJ-CH1H-CP
AUDIO-P.W.Board			C2454	08S65669Y03	CAP,CER 224KX7R1H-CP
AUDIO-P.W.Board			C2456	08S35350Y04	CAP,CER 105K-B1C -CP

P.W.Board	MIS	MODEL	Ref.	Parts No.	Parts Name
AUDIO-P.W.Board		C2457	08S45676W85		CAP,CER 104K-B1C -CP
AUDIO-P.W.Board		C2458	08S35350Y04		CAP,CER 105K-B1C -CP
AUDIO-P.W.Board		C2459	08S35350Y04		CAP,CER 105K-B1C -CP
AUDIO-P.W.Board		C2460	08S65670Y03		CAP,CER 335KX5R1E-CP
AUDIO-P.W.Board		C2461	08S65670Y03		CAP,CER 335KX5R1E-CP
AUDIO-P.W.Board		C2462	08S65670Y03		CAP,CER 335KX5R1E-CP
AUDIO-P.W.Board		C2463	08S65670Y03		CAP,CER 335KX5R1E-CP
AUDIO-P.W.Board		C2464	08S65669Y03		CAP,CER 224KX7R1H-CP
AUDIO-P.W.Board		C2465	08S45676W85		CAP,CER 104K-B1C -CP
AUDIO-P.W.Board		C2466	08S45232Y21		CAP,CER 104K-B1A-CP
AUDIO-P.W.Board		C2468	08S45231Y17		CAP,CER 22RJ-CH1H-CP
AUDIO-P.W.Board		C2470	08S65676Y10		CAP,CER 106KX7R1C-CP
AUDIO-P.W.Board		C2472	08S45232Y21		CAP,CER 104K-B1A-CP
AUDIO-P.W.Board		C2480	08-15113Z01		CAP,CER 225KX7R1C-CP
AUDIO-P.W.Board		C2481	08S45231Y38		CAP,CER 102J-CH1H-CP

P.W.Board	MIS	MODEL	Ref.	Parts No.	Parts Name
AUDIO-P.W.Board		C2482	08-23325Z07		CAP,CER 103KX7R1C-CP
AUDIO-P.W.Board		C2483	08S45232Y14		CAP,CER 333K-B1C -CP
AUDIO-P.W.Board		C2484	08S35349Y16		CAP,CER 105K-B1A -CP
AUDIO-P.W.Board		C2485	08-23325Z03		CAP,CER 222KX7R1H-CP
AUDIO-P.W.Board		C2486	08-15113Z01		CAP,CER 225KX7R1C-CP
AUDIO-P.W.Board		C2487	08S65676Y10		CAP,CER 106KX7R1C-CP
AUDIO-P.W.Board		C2488	08S65676Y10		CAP,CER 106KX7R1C-CP
AUDIO-P.W.Board		C2489	08S65676Y10		CAP,CER 106KX7R1C-CP
AUDIO-P.W.Board		C2505	08S45232Y21		CAP,CER 104K-B1A-CP
AUDIO-P.W.Board		C2506	08S45232Y21		CAP,CER 104K-B1A-CP
AUDIO-P.W.Board		C2507	08S45232Y21		CAP,CER 104K-B1A-CP
AUDIO-P.W.Board		C2508	08S35374W12		CAP,CER 106K-B0J -CP
AUDIO-P.W.Board		C2509	08S45231Y11		CAP,CER 8R0D-CH1H-CP
AUDIO-P.W.Board		C2510	08S45231Y13		CAP,CER 10RD-CH1H-CP
AUDIO-P.W.Board		C2511	08S35349Y16		CAP,CER 105K-B1A -CP

P.W.Board	MIS	MODEL	Ref.	Parts No.	Parts Name
AUDIO-P.W.Board		C2512	08S35349Y17		CAP,CER 225K-B0J -CP
AUDIO-P.W.Board		C2513	08S45232Y21		CAP,CER 104K-B1A-CP
AUDIO-P.W.Board		C2514	08S35349Y17		CAP,CER 225K-B0J -CP
AUDIO-P.W.Board		C2519	08S45676W85		CAP,CER 104K-B1C -CP
AUDIO-P.W.Board		C2523	08S35374W12		CAP,CER 106K-B0J -CP
AUDIO-P.W.Board		C2524	08S45232Y21		CAP,CER 104K-B1A-CP
AUDIO-P.W.Board		C2600	08-30898Z02		CAP,TF 105K-1E -CP
AUDIO-P.W.Board		C2601	08-30898Z02		CAP,TF 105K-1E -CP
AUDIO-P.W.Board		C2602	08-30898Z02		CAP,TF 105K-1E -CP
AUDIO-P.W.Board		C2603	08-30898Z02		CAP,TF 105K-1E -CP
AUDIO-P.W.Board		C2604	08-30898Z02		CAP,TF 105K-1E -CP
AUDIO-P.W.Board		C2605	08-30898Z02		CAP,TF 105K-1E -CP
AUDIO-P.W.Board		C2606	08-30898Z02		CAP,TF 105K-1E -CP
AUDIO-P.W.Board		C2607	08S65676Y03		CAP,CER 225KX7R1C-CP
AUDIO-P.W.Board		C2611	08-30898Z02		CAP,TF 105K-1E -CP

P.W.Board	MIS	MODEL	Ref.	Parts No.	Parts Name
AUDIO-P.W.Board		C2612	08-23326Z05		CAP,CER 105KX7R1A-CP
AUDIO-P.W.Board		C2613	08S65669Y03		CAP,CER 224KX7R1H-CP
AUDIO-P.W.Board		C2650	08-23326Z05		CAP,CER 105KX7R1A-CP
AUDIO-P.W.Board		C2901	08S65669Y06		CAP,CER 103KX7R1H-CP
AUDIO-P.W.Board		C2903	08S45677W16		CAP,CER.15RJ-CH1H-CP
AUDIO-P.W.Board		C2905	08S45677W60		CAP,CER 102J-CH1H-CP
AUDIO-P.W.Board		C2906	08S45231Y06		CAP,CER 3R0C-CJ1H-CP
AUDIO-P.W.Board		C2907	08S45231Y15		CAP,CER 15RJ-CH1H-CP
AUDIO-P.W.Board		C2908	08S45231Y21		CAP,CER 47RJ-CH1H-CP
AUDIO-P.W.Board		C2912	08S45231Y04		CAP,CER 1R5C-CK1H-CP
AUDIO-P.W.Board		C2913	08S45231Y16		CAP,CER 18RJ-CH1H-CP
AUDIO-P.W.Board		C2914	08S45231Y38		CAP,CER 102J-CH1H-CP
AUDIO-P.W.Board		C2918	08S45231Y24		CAP,CER 82RJ-CH1H-CP
AUDIO-P.W.Board		C3002	08S45231Y14		CAP,CER 12RJ-CH1H-CP
AUDIO-P.W.Board		C3017	08S45232Y21		CAP,CER 104K-B1A-CP

P.W.Board	MIS	MODEL	Ref.	Parts No.	Parts Name
AUDIO-P.W.Board			C3018	08S45232Y21	CAP,CER 104K-B1A-CP
AUDIO-P.W.Board			C3019	08S45232Y21	CAP,CER 104K-B1A-CP
AUDIO-P.W.Board			C3020	08S45232Y21	CAP,CER 104K-B1A-CP
AUDIO-P.W.Board			C3021	08S45232Y21	CAP,CER 104K-B1A-CP
AUDIO-P.W.Board			C3022	08S45232Y21	CAP,CER 104K-B1A-CP
AUDIO-P.W.Board			C3026	08S45232Y21	CAP,CER 104K-B1A-CP
AUDIO-P.W.Board			C3029	08-23325Z19	CAP,CER 224KX7R1C-CP
AUDIO-P.W.Board			C3030	08S65676Y08	CAP,CER 106K-X7R1ACP
AUDIO-P.W.Board			C3031	08S65676Y08	CAP,CER 106K-X7R1ACP
AUDIO-P.W.Board			C3032	08S65676Y08	CAP,CER 106K-X7R1ACP
AUDIO-P.W.Board			C3047	08S45231Y14	CAP,CER 12RJ-CH1H-CP
AUDIO-P.W.Board			C3101	08-26091Z01	CAP,CER 102KX7R2J-CP
AUDIO-P.W.Board			C3103	08-26091Z01	CAP,CER 102KX7R2J-CP
AUDIO-P.W.Board			C3104	08-26091Z05	CAP,CER 103KX7R2J-CP
AUDIO-P.W.Board			C3130	08S45231Y38	CAP,CER 102J-CH1H-CP

P.W.Board	MIS	MODEL	Ref.	Parts No.	Parts Name
AUDIO-P.W.Board		C3131	08S45231Y38	CAP,CER 102J-CH1H-CP	
AUDIO-P.W.Board		C3132	08S45231Y38	CAP,CER 102J-CH1H-CP	
AUDIO-P.W.Board		C3133	08S45231Y38	CAP,CER 102J-CH1H-CP	
AUDIO-P.W.Board		C3134	08S45231Y38	CAP,CER 102J-CH1H-CP	
AUDIO-P.W.Board		C3135	08S45231Y38	CAP,CER 102J-CH1H-CP	
AUDIO-P.W.Board		C3136	08S45231Y38	CAP,CER 102J-CH1H-CP	
AUDIO-P.W.Board		C3150	08S45677W44	CAP,CER.221J-CH1H-CP	
AUDIO-P.W.Board		C3151	08S45677W44	CAP,CER.221J-CH1H-CP	
AUDIO-P.W.Board		C3152	08S45677W44	CAP,CER.221J-CH1H-CP	
AUDIO-P.W.Board		C3153	08S65669Y03	CAP,CER 224KX7R1H-CP	
AUDIO-P.W.Board		C3203	08S45231Y25	CAP,CER 101J-CH1H-CP	
AUDIO-P.W.Board		C3204	08S45231Y38	CAP,CER 102J-CH1H-CP	
AUDIO-P.W.Board		C3205	08-19311Z01	CAP,CER 104KX7R1H-CP	
AUDIO-P.W.Board		C3206	08-19311Z01	CAP,CER 104KX7R1H-CP	
AUDIO-P.W.Board		C3210	08S65676Y10	CAP,CER 106KX7R1C-CP	




P.W.Board	MIS	MODEL	Ref.	Parts No.	Parts Name
AUDIO-P.W.Board		C3221	08S65669Y03		CAP,CER 224KX7R1H-CP
AUDIO-P.W.Board		C3222	08-19311Z03		CAP,CER 103KX7R1H-CP
AUDIO-P.W.Board		C3223	08S65669Y03		CAP,CER 224KX7R1H-CP
AUDIO-P.W.Board		C3224	08S65669Y03		CAP,CER 224KX7R1H-CP
AUDIO-P.W.Board		C3225	08S65669Y03		CAP,CER 224KX7R1H-CP
AUDIO-P.W.Board		C3226	08S65669Y03		CAP,CER 224KX7R1H-CP
AUDIO-P.W.Board		C3227	08S65669Y03		CAP,CER 224KX7R1H-CP
AUDIO-P.W.Board		C3230	08S35374W07		CAP,CER 334K-B1C -CP
AUDIO-P.W.Board		C3231	08S65669Y03		CAP,CER 224KX7R1H-CP
AUDIO-P.W.Board		C3232	08S65669Y03		CAP,CER 224KX7R1H-CP
AUDIO-P.W.Board		C3233	08-15113Z01		CAP,CER 225KX7R1C-CP
AUDIO-P.W.Board		C3234	08-23325Z03		CAP,CER 222KX7R1H-CP
AUDIO-P.W.Board		C3235	08-23325Z03		CAP,CER 222KX7R1H-CP
AUDIO-P.W.Board		C3236	08S45231Y15		CAP,CER 15RJ-CH1H-CP
AUDIO-P.W.Board		C3237	08-15113Z01		CAP,CER 225KX7R1C-CP

P.W.Board	MIS	MODEL	Ref.	Parts No.	Parts Name
AUDIO-P.W.Board		C3238	08S35374W07		CAP,CER 334K-B1C -CP
AUDIO-P.W.Board		C3239	08-23326Z08		CAP,CER 473KX7R1H-CP
AUDIO-P.W.Board		C3240	08S45231Y15		CAP,CER 15RJ-CH1H-CP
AUDIO-P.W.Board		C3350	08-19311Z01		CAP,CER 104KX7R1H-CP
AUDIO-P.W.Board		C3351	08-19311Z01		CAP,CER 104KX7R1H-CP
AUDIO-P.W.Board		C3352	08S45232Y21		CAP,CER 104K-B1A-CP
AUDIO-P.W.Board		C3353	08S45232Y21		CAP,CER 104K-B1A-CP
AUDIO-P.W.Board		C3354	08S45232Y21		CAP,CER 104K-B1A-CP
AUDIO-P.W.Board		C3400	08S65669Y03		CAP,CER 224KX7R1H-CP
AUDIO-P.W.Board		C3401	08S65669Y03		CAP,CER 224KX7R1H-CP
AUDIO-P.W.Board		C3402	08S65669Y03		CAP,CER 224KX7R1H-CP
AUDIO-P.W.Board		C3403	08S65669Y03		CAP,CER 224KX7R1H-CP
AUDIO-P.W.Board		C3404	08-19311Z03		CAP,CER 103KX7R1H-CP
AUDIO-P.W.Board		C3405	08-19311Z01		CAP,CER 104KX7R1H-CP
AUDIO-P.W.Board		C3406	08-19311Z01		CAP,CER 104KX7R1H-CP

P.W.Board	MIS	MODEL	Ref.	Parts No.	Parts Name
AUDIO-P.W.Board		C3407	08-23326Z05		CAP,CER 105KX7R1A-CP
AUDIO-P.W.Board		C3408	08S65669Y03		CAP,CER 224KX7R1H-CP
AUDIO-P.W.Board		C3410	08S65677Y06		CAP,CER 226MX7R1C-CP
AUDIO-P.W.Board		C3411	08S65677Y06		CAP,CER 226MX7R1C-CP
AUDIO-P.W.Board		C3412	08S65677Y06		CAP,CER 226MX7R1C-CP
AUDIO-P.W.Board		C3430	08S65676Y09		CAP,CER 475KX7R1H-CP
AUDIO-P.W.Board		C3431	08S65669Y03		CAP,CER 224KX7R1H-CP
AUDIO-P.W.Board		C3432	08S65669Y03		CAP,CER 224KX7R1H-CP
AUDIO-P.W.Board		C3440	08S65669Y03		CAP,CER 224KX7R1H-CP
AUDIO-P.W.Board		C3441	08-14627Z01		CAP,CER 107MX5R0J-CP
AUDIO-P.W.Board		C3442	08S65669Y03		CAP,CER 224KX7R1H-CP
AUDIO-P.W.Board		C3460	08S65669Y03		CAP,CER 224KX7R1H-CP
AUDIO-P.W.Board		C3461	08S65669Y05		CAP,CER 106KX7R0J-CP
AUDIO-P.W.Board		C3462	08-15113Z01		CAP,CER 225KX7R1C-CP
AUDIO-P.W.Board		C3464	08S65669Y03		CAP,CER 224KX7R1H-CP

P.W.Board	MIS	MODEL	Ref.	Parts No.	Parts Name
AUDIO-P.W.Board		C3470	08S65669Y03		CAP,CER 224KX7R1H-CP
AUDIO-P.W.Board		C3471	08S65669Y03		CAP,CER 224KX7R1H-CP
AUDIO-P.W.Board		C3480	08S65669Y03		CAP,CER 224KX7R1H-CP
AUDIO-P.W.Board		C3481	08S65670Y06		CAP,CER 226KX5R1A-CP
AUDIO-P.W.Board		C3482	08S65669Y03		CAP,CER 224KX7R1H-CP
AUDIO-P.W.Board		C3490	08S65676Y02		CAP,CER 475KX7R1A-CP
AUDIO-P.W.Board		C3492	08S45232Y21		CAP,CER 104K-B1A-CP
AUDIO-P.W.Board		C3493	08S45232Y21		CAP,CER 104K-B1A-CP
AUDIO-P.W.Board		C3494	08S45232Y21		CAP,CER 104K-B1A-CP
AUDIO-P.W.Board		C3495	08S45232Y21		CAP,CER 104K-B1A-CP
AUDIO-P.W.Board		C3496	08-15113Z03		CAP,CER 475KX7R1C-CP
AUDIO-P.W.Board		C3498	08-23326Z05		CAP,CER 105KX7R1A-CP
AUDIO-P.W.Board		C3499	08-23326Z05		CAP,CER 105KX7R1A-CP
AUDIO-P.W.Board		C3502	08-15113Z01		CAP,CER 225KX7R1C-CP
AUDIO-P.W.Board		C3503	08S65669Y03		CAP,CER 224KX7R1H-CP

P.W.Board	MIS	MODEL	Ref.	Parts No.	Parts Name
AUDIO-P.W.Board		C3504	08S65669Y03		CAP,CER 224KX7R1H-CP
AUDIO-P.W.Board		C3505	08S65669Y03		CAP,CER 224KX7R1H-CP
AUDIO-P.W.Board		C3506	08S65676Y10		CAP,CER 106KX7R1C-CP
AUDIO-P.W.Board		C3510	08-23325Z07		CAP,CER 103KX7R1C-CP
AUDIO-P.W.Board		C3511	08S65669Y03		CAP,CER 224KX7R1H-CP
AUDIO-P.W.Board		C3512	08S65669Y03		CAP,CER 224KX7R1H-CP
AUDIO-P.W.Board		C3551	08S45232Y21		CAP,CER 104K-B1A-CP
AUDIO-P.W.Board		C3552	08S45232Y21		CAP,CER 104K-B1A-CP
AUDIO-P.W.Board		C3602	08-23325Z04		CAP,CER 332KX7R1H-CP
AUDIO-P.W.Board		C3603	08S65669Y03		CAP,CER 224KX7R1H-CP
AUDIO-P.W.Board		C3605	08S65670Y06		CAP,CER 226KX5R1A-CP
AUDIO-P.W.Board		C3607	08S45231Y25		CAP,CER 101J-CH1H-CP
AUDIO-P.W.Board		C3608	08S65676Y09		CAP,CER 475KX7R1H-CP
AUDIO-P.W.Board		C3612	08S65669Y03		CAP,CER 224KX7R1H-CP
AUDIO-P.W.Board		CB2000	09-14451Z06		FFC,502790-3091 -ED

P.W.Board	MIS	MODEL	Ref.	Parts No.	Parts Name
AUDIO-P.W.Board		CB3100	09T35473Y16	WTB,F169B001-16	-DB
AUDIO-P.W.Board		CB3120	09-25106Z01	WTB,S10B-PUDSS-1	-DB
AUDIO-P.W.Board		CB3130	09-25106Z02	WTB,S12B-PUDSS-1	-DB
AUDIO-P.W.Board		CB3150	09-16961Z09	WTB,A1257WV0-10PS	-ED
AUDIO-P.W.Board		CB3490	09T85454W03	WTB,53398-0371	-E6
AUDIO-P.W.Board		CH3300	09-29653Z01	BTB,FX23-100S-0.5S	-T
AUDIO-P.W.Board		D2460	48-17624Z01	DIO,DA3J102D0L	-CP
AUDIO-P.W.Board		D2461	48-17624Z01	DIO,DA3J102D0L	-CP
AUDIO-P.W.Board		D2462	48-17624Z01	DIO,DA3J102D0L	-CP
AUDIO-P.W.Board		D2480	48-19711Z01	DIO,BAV99W	-CP
AUDIO-P.W.Board		D2650	48-05965Z01	DIO,1SS361-L	-CP
AUDIO-P.W.Board		D2901	48-19711Z01	DIO,BAV99W	-CP
AUDIO-P.W.Board		D3200	48-05965Z01	DIO,1SS361-L	-CP
AUDIO-P.W.Board		D3201	48-05164Z01	DIO,1SS352-TPH3	-CP
AUDIO-P.W.Board		D3202	48-05965Z01	DIO,1SS361-L	-CP

P.W.Board	MIS	MODEL	Ref.	Parts No.	Parts Name
AUDIO-P.W.Board		D3204	48-05965Z01	DIO,1SS361-L -CP	
AUDIO-P.W.Board		D3205	48-05164Z01	DIO,1SS352-TPH3 -CP	
AUDIO-P.W.Board		D3400	48T75527Y01	DIO,1SR154-400 -E1	
AUDIO-P.W.Board		E2404	23-31100Z12	CAP,MAK 101-1C -E6	
AUDIO-P.W.Board		E2405	23-31100Z07	CAP,MAK 101-1A -E6	
AUDIO-P.W.Board		E2420	23-31100Z10	CAP,MAK 22R-1C -E3	
AUDIO-P.W.Board		E2421	23-31100Z10	CAP,MAK 22R-1C -E3	
AUDIO-P.W.Board		E2440	23S75244Y19	CAP,ELY 101-1C -E6	
AUDIO-P.W.Board		E2441	23S75244Y17	CAP,ELY 22R-1C -E2	
AUDIO-P.W.Board		E2442	23S75244Y17	CAP,ELY 22R-1C -E2	
AUDIO-P.W.Board		E2460	23-31100Z26	CAP,MAK 3R3-1H -E2	
AUDIO-P.W.Board		E2461	23-31100Z26	CAP,MAK 3R3-1H -E2	
AUDIO-P.W.Board		E2600	23-31100Z17	CAP,MAK 10R-1E -E3	
AUDIO-P.W.Board		E2601	23-31100Z17	CAP,MAK 10R-1E -E3	
AUDIO-P.W.Board		E2650	23S75244Y19	CAP,ELY 101-1C -E6	

P.W.Board	MIS	MODEL	Ref.	Parts No.	Parts Name
AUDIO-P.W.Board		E3100	23-19876Z04		CAP,CST 472-1E +
AUDIO-P.W.Board		E3200	23-31100Z17		CAP,MAK 10R-1E -E3
AUDIO-P.W.Board		E3300	23S75244Y31		CAP,ELY 471-1E -EA
AUDIO-P.W.Board		E3301	23S75244Y22		CAP,ELY 471-1C -EA
AUDIO-P.W.Board		E3400	23S75244Y19		CAP,ELY 101-1C -E6
AUDIO-P.W.Board		E3404	23S75244Y24		CAP,ELY 10R-1E -E2
AUDIO-P.W.Board		E3405	23S75244Y25		CAP,ELY 22R-1E -E3
AUDIO-P.W.Board		E3406	23S75244Y14		CAP,ELY 681-1A -EA
AUDIO-P.W.Board		E3430	23S75244Y25		CAP,ELY 22R-1E -E3
AUDIO-P.W.Board		E3440	23S75244Y26		CAP,ELY 33R-1E -E3
AUDIO-P.W.Board		E3470	23-31100Z06		CAP,MAK 33R-1A -E3
AUDIO-P.W.Board		E3471	23-31100Z11		CAP,MAK 47R-1C -E6
AUDIO-P.W.Board		E3480	23S75244Y01		CAP,ELY 22R-0J -E2
AUDIO-P.W.Board		E3510	23S75244Y01		CAP,ELY 22R-0J -E2
AUDIO-P.W.Board		E3511	23-31100Z06		CAP,MAK 33R-1A -E3

P.W.Board	MIS	MODEL	Ref.	Parts No.	Parts Name
AUDIO-P.W.Board		E3600	23S75244Y05	CAP,ELY 331-0J -E6	
AUDIO-P.W.Board		E3601	23S75244Y25	CAP,ELY 22R-1E -E3	
AUDIO-P.W.Board		IC2000	83-35304Z36	17LIMO_US7_DA_RL00013A_BU_IC2000	
AUDIO-P.W.Board		IC2000	51-23912Z01	MTP,D70F3479AGJ AQ-QT	
AUDIO-P.W.Board		IC2001	51T15185Y03	TC7SH08FU,LJ -CP	
AUDIO-P.W.Board		IC2180	51-24805Z01	BR24T16F-WGE2 -SE2	
AUDIO-P.W.Board		IC2190	51-04315Z22	BU4229G-TR -CP	
AUDIO-P.W.Board		IC2200	51-30382Z02	SAF7754HV/N205 -QT	
AUDIO-P.W.Board		IC2202	83-31628Z34	V1.100_LIMO_DiRaNA3	
AUDIO-P.W.Board		IC2202	51-18520Z01	MX25L8035EM21-10G-ST	
AUDIO-P.W.Board		IC2203	51-29083Z01	SN74AHCU04QPWRG4-SE2	
AUDIO-P.W.Board		IC2400	51-16740Z02	BD34601FS-ME2 -SE6	
AUDIO-P.W.Board		IC2401	51-05314Z01	BA4560RFVM-TR -SE1	
AUDIO-P.W.Board		IC2420	51T25576W07	NJM4580V-TE2 -SE2	
AUDIO-P.W.Board		IC2421	51T25576W07	NJM4580V-TE2 -SE2	

P.W.Board	MIS	MODEL	Ref.	Parts No.	Parts Name
AUDIO-P.W.Board		IC2422	51T25576W07		NJM4580V-TE2 -SE2
AUDIO-P.W.Board		IC2440	51-20907Z01		TPS60402QDBVRQ1 -CP
AUDIO-P.W.Board		IC2441	51-16845Z04		TAR5S50U-TE85L -CP
AUDIO-P.W.Board		IC2480	51T15647Y01		NJM4558V-TE2 -SE2
AUDIO-P.W.Board		IC2500	51-32736Z01		AK7738VQ -QEA
AUDIO-P.W.Board		IC2600	51-30375Z01		STPA003OD-4WX -ZS
AUDIO-P.W.Board		IC3000	51-29945Z01		SAF3600EL/V1040A-BEA
AUDIO-P.W.Board		IC3001	83-31628Z35		VC0004.004R1_LIMOUS_Saturn
AUDIO-P.W.Board		IC3001	51-30259Z02		S25FL116K0XMFA040-ST
AUDIO-P.W.Board		IC3150	51T15194Y03		74VHCT08AFT-EL -SE2
AUDIO-P.W.Board		IC3200	51-20765Z31		S-1009N37H-M5T2U -CP
AUDIO-P.W.Board		IC3206	51-02032Z02		TC7SET02FU,LJ -CP
AUDIO-P.W.Board		IC3207	51T15614Y01		TC74HC4051AFT-EL-SE5
AUDIO-P.W.Board		IC3208	51T15614Y01		TC74HC4051AFT-EL-SE5
AUDIO-P.W.Board		IC3209	51T35360Y01		TC7WH08FU-L -SE1

P.W.Board	MIS	MODEL	Ref.	Parts No.	Parts Name
AUDIO-P.W.Board		IC3210	51T15194Y03	74VHCT08AFT-EL -SE2	
AUDIO-P.W.Board		IC3212	51-20560Z02	TC74VHC4051AFK(B-SE2	
AUDIO-P.W.Board		IC3213	51T15647Y01	NJM4558V-TE2 -SE2	
AUDIO-P.W.Board		IC3220	51-05314Z01	BA4560RFVM-TR -SE1	
AUDIO-P.W.Board		IC3400	51-13711Z02	TB2920AHQ -ZS	
AUDIO-P.W.Board		IC3430	51-28614Z01	BD00FC0EEFJ-ME2 -SE2	
AUDIO-P.W.Board		IC3440	51-23593Z02	BD00IC0WEFJ-ME2 -SE2	
AUDIO-P.W.Board		IC3460	51-23593Z02	BD00IC0WEFJ-ME2 -SE2	
AUDIO-P.W.Board		IC3470	51-23593Z05	BD00IA5EEFJ-ME2 -SE2	
AUDIO-P.W.Board		IC3480	51-23593Z02	BD00IC0WEFJ-ME2 -SE2	
AUDIO-P.W.Board		IC3500	51-07902Z01	NJM2871BF05-TE1 -CP	
AUDIO-P.W.Board		IC3510	51-07902Z02	NJM2871BF33-TE1 -CP	
AUDIO-P.W.Board		IC3601	51-28779Z02	BD90640EFJ-CE2 -SE2	
AUDIO-P.W.Board		L2200	24-24463Z01	FBI,BLM15HD601SH1-CP	
AUDIO-P.W.Board		L2201	24-24463Z01	FBI,BLM15HD601SH1-CP	

P.W.Board	MIS	MODEL	Ref.	Parts No.	Parts Name
AUDIO-P.W.Board		L2202	24-24463Z01	FBI,BLM15HD601SH1-CP	
AUDIO-P.W.Board		L2203	24-17733Z06	IND,NLCV32T 47RK -CP	
AUDIO-P.W.Board		L2204	24-17733Z06	IND,NLCV32T 47RK -CP	
AUDIO-P.W.Board		L2205	24-24463Z01	FBI,BLM15HD601SH1-CP	
AUDIO-P.W.Board		L2206	24-24463Z01	FBI,BLM15HD601SH1-CP	
AUDIO-P.W.Board		L2210	24-24463Z01	FBI,BLM15HD601SH1-CP	
AUDIO-P.W.Board		L2440	24T95202W25	IND,CDRH64B 102M -E6	
AUDIO-P.W.Board		L2441	24T95202W25	IND,CDRH64B 102M -E6	
AUDIO-P.W.Board		L2500	24-06212Z05	FBI,BLM15BB121SH1-CP	
AUDIO-P.W.Board		L2501	24-06212Z05	FBI,BLM15BB121SH1-CP	
AUDIO-P.W.Board		L2502	24-06212Z05	FBI,BLM15BB121SH1-CP	
AUDIO-P.W.Board		L2902	24-30185Z23	IND,LQW2BAS R22J -CP	
AUDIO-P.W.Board		L2904	24T25164Y12	IND,FSLM2520 R82J-CP	
AUDIO-P.W.Board		L2905	24-09036Z11	IND,LQW18AN R27J -CP	
AUDIO-P.W.Board		L2906	24T25164Y19	IND,FSLM2520 3R3J-CP	

P.W.Board	MIS	MODEL	Ref.	Parts No.	Parts Name
AUDIO-P.W.Board		L3150	24-06212Z08	FBI,BLM15BD102SH1-CP	
AUDIO-P.W.Board		L3490	24T95456W27	FBI,BLM18PG181SH1-CP	
AUDIO-P.W.Board		L3492	24T95456W27	FBI,BLM18PG181SH1-CP	
AUDIO-P.W.Board		L3493	24T95456W27	FBI,BLM18PG181SH1-CP	
AUDIO-P.W.Board		L3494	24T95456W27	FBI,BLM18PG181SH1-CP	
AUDIO-P.W.Board		L3495	24-28869Z04	FBI,BKP1608HS121 -CP	
AUDIO-P.W.Board		L3601	24-17581Z02	IND,NRS5020T 1R5N-E2	
AUDIO-P.W.Board		L3602	24-08610Z03	IND,DS106C2 10RM -EA	
AUDIO-P.W.Board		MC2480	50-06821Z02	MIC,KUB2823-013991	
AUDIO-P.W.Board		PS3101	48-16589Z01	POLY,SW SMDC075F -E2	
AUDIO-P.W.Board		PS3150	48-16589Z03	POLY,SW SMDC150F -E2	
AUDIO-P.W.Board		Q2460	48T75180Y04	TR,IMH23-T110 -CP	
AUDIO-P.W.Board		Q2461	48T75180Y04	TR,IMH23-T110 -CP	
AUDIO-P.W.Board		Q2462	48T75180Y04	TR,IMH23-T110 -CP	
AUDIO-P.W.Board		Q2650	48T25737Y02	TR,UMD3N-TR -CP	

P.W.Board	MIS	MODEL	Ref.	Parts No.	Parts Name
AUDIO-P.W.Board		Q2651	48-20093Z01	TR,DMC561010R -CP	
AUDIO-P.W.Board		Q2652	48T25737Y01	TR,UMD2N-TR -CP	
AUDIO-P.W.Board		Q3200	48-12999Z01	TR,LTA114EUBFS8-TLCP	
AUDIO-P.W.Board		Q3202	48-13000Z05	TR,LTC124EUBFS8-TLCP	
AUDIO-P.W.Board		Q3203	48T25737Y01	TR,UMD2N-TR -CP	
AUDIO-P.W.Board		Q3204	48-13000Z01	TR,LTC114EUBFS8-TLCP	
AUDIO-P.W.Board		Q3205	48T25737Y01	TR,UMD2N-TR -CP	
AUDIO-P.W.Board		Q3207	48-13000Z01	TR,LTC114EUBFS8-TLCP	
AUDIO-P.W.Board		Q3208	48-18270Z01	TR,LSA1576UB FS8 -CP	
AUDIO-P.W.Board		Q3209	48T25737Y02	TR,UMD3N-TR -CP	
AUDIO-P.W.Board		R2001	06S15616Y23	RES,RK JUMPER1/16-CP	
AUDIO-P.W.Board		R2005	06S15615Y25	RES,RK 101J 1/16 -CP	
AUDIO-P.W.Board		R2006	06S15615Y25	RES,RK 101J 1/16 -CP	
AUDIO-P.W.Board		R2007	06S15615Y25	RES,RK 101J 1/16 -CP	
AUDIO-P.W.Board		R2010	06S65415Y41	RES,RK 223F 1/16 -CP	

P.W.Board	MIS	MODEL	Ref.	Parts No.	Parts Name
AUDIO-P.W.Board			R2011	06S65415Y29	RES,RK 222F 1/16 -CP
AUDIO-P.W.Board			R2012	06S65415Y29	RES,RK 222F 1/16 -CP
AUDIO-P.W.Board			R2014	06S15615Y25	RES,RK 101J 1/16 -CP
AUDIO-P.W.Board			R2015	06S15616Y23	RES,RK JUMPER1/16-CP
AUDIO-P.W.Board			R2016	06S65415Y37	RES,RK 103F 1/16 -CP
AUDIO-P.W.Board			R2017	06S65415Y37	RES,RK 103F 1/16 -CP
AUDIO-P.W.Board			R2019	06S65415Y41	RES,RK 223F 1/16 -CP
AUDIO-P.W.Board			R2023	06S65415Y37	RES,RK 103F 1/16 -CP
AUDIO-P.W.Board			R2024	06S15616Y23	RES,RK JUMPER1/16-CP
AUDIO-P.W.Board			R2025	06S65415Y41	RES,RK 223F 1/16 -CP
AUDIO-P.W.Board			R2026	06S65415Y41	RES,RK 223F 1/16 -CP
AUDIO-P.W.Board			R2027	06S65415Y41	RES,RK 223F 1/16 -CP
AUDIO-P.W.Board			R2028	06S65415Y41	RES,RK 223F 1/16 -CP
AUDIO-P.W.Board			R2029	06S15615Y25	RES,RK 101J 1/16 -CP
AUDIO-P.W.Board			R2030	06S65415Y37	RES,RK 103F 1/16 -CP

P.W.Board	MIS	MODEL	Ref.	Parts No.	Parts Name
AUDIO-P.W.Board			R2031	06S15616Y23	RES,RK JUMPER1/16-CP
AUDIO-P.W.Board			R2032	06S65415Y37	RES,RK 103F 1/16 -CP
AUDIO-P.W.Board			R2033	06S65415Y41	RES,RK 223F 1/16 -CP
AUDIO-P.W.Board			R2034	06S65415Y41	RES,RK 223F 1/16 -CP
AUDIO-P.W.Board			R2035	06S15615Y25	RES,RK 101J 1/16 -CP
AUDIO-P.W.Board			R2036	06S65415Y41	RES,RK 223F 1/16 -CP
AUDIO-P.W.Board			R2039	06S65415Y41	RES,RK 223F 1/16 -CP
AUDIO-P.W.Board			R2040	06S65415Y41	RES,RK 223F 1/16 -CP
AUDIO-P.W.Board			R2041	06S15615Y25	RES,RK 101J 1/16 -CP
AUDIO-P.W.Board			R2042	06S65415Y37	RES,RK 103F 1/16 -CP
AUDIO-P.W.Board			R2043	06S65415Y37	RES,RK 103F 1/16 -CP
AUDIO-P.W.Board			R2044	06S65415Y37	RES,RK 103F 1/16 -CP
AUDIO-P.W.Board			R2045	06S65415Y37	RES,RK 103F 1/16 -CP
AUDIO-P.W.Board			R2046	06S65415Y29	RES,RK 222F 1/16 -CP
AUDIO-P.W.Board			R2047	06S65415Y37	RES,RK 103F 1/16 -CP

P.W.Board	MIS	MODEL	Ref.	Parts No.	Parts Name
AUDIO-P.W.Board			R2048	06S65415Y37	RES,RK 103F 1/16 -CP
AUDIO-P.W.Board			R2053	06S15616Y23	RES,RK JUMPER1/16-CP
AUDIO-P.W.Board			R2054	06S15616Y23	RES,RK JUMPER1/16-CP
AUDIO-P.W.Board			R2055	06S15616Y23	RES,RK JUMPER1/16-CP
AUDIO-P.W.Board			R2058	06S15616Y23	RES,RK JUMPER1/16-CP
AUDIO-P.W.Board			R2060	06S15615Y25	RES,RK 101J 1/16 -CP
AUDIO-P.W.Board			R2061	06S15615Y49	RES,RK 102J 1/16 -CP
AUDIO-P.W.Board			R2062	06S45674W33	RES,RK 101J 1/10 -CP
AUDIO-P.W.Board			R2063	06S15615Y25	RES,RK 101J 1/16 -CP
AUDIO-P.W.Board			R2064	06S15615Y41	RES,RK 471J 1/16 -CP
AUDIO-P.W.Board			R2070	06S15615Y25	RES,RK 101J 1/16 -CP
AUDIO-P.W.Board			R2071	06S15615Y25	RES,RK 101J 1/16 -CP
AUDIO-P.W.Board			R2072	06S15615Y25	RES,RK 101J 1/16 -CP
AUDIO-P.W.Board			R2073	06S15615Y25	RES,RK 101J 1/16 -CP
AUDIO-P.W.Board			R2074	06S15615Y25	RES,RK 101J 1/16 -CP

P.W.Board	MIS	MODEL	Ref.	Parts No.	Parts Name
AUDIO-P.W.Board			R2076	06S15615Y25	RES,RK 101J 1/16 -CP
AUDIO-P.W.Board			R2077	06S15615Y25	RES,RK 101J 1/16 -CP
AUDIO-P.W.Board			R2078	06S15615Y25	RES,RK 101J 1/16 -CP
AUDIO-P.W.Board			R2083	06S15615Y25	RES,RK 101J 1/16 -CP
AUDIO-P.W.Board			R2085	06S15616Y23	RES,RK JUMPER1/16-CP
AUDIO-P.W.Board			R2089	06S15615Y25	RES,RK 101J 1/16 -CP
AUDIO-P.W.Board			R2092	06S15615Y25	RES,RK 101J 1/16 -CP
AUDIO-P.W.Board			R2093	06S15615Y25	RES,RK 101J 1/16 -CP
AUDIO-P.W.Board			R2102	06S15616Y23	RES,RK JUMPER1/16-CP
AUDIO-P.W.Board			R2103	06S15615Y49	RES,RK 102J 1/16 -CP
AUDIO-P.W.Board			R2104	06S15615Y49	RES,RK 102J 1/16 -CP
AUDIO-P.W.Board			R2105	06S15615Y49	RES,RK 102J 1/16 -CP
AUDIO-P.W.Board			R2108	06S15616Y23	RES,RK JUMPER1/16-CP
AUDIO-P.W.Board			R2109	06S15616Y23	RES,RK JUMPER1/16-CP
AUDIO-P.W.Board			R2110	06S15616Y23	RES,RK JUMPER1/16-CP

P.W.Board	MIS	MODEL	Ref.	Parts No.	Parts Name
AUDIO-P.W.Board			R2111	06S15616Y23	RES,RK JUMPER1/16-CP
AUDIO-P.W.Board			R2180	06S65415Y33	RES,RK 472F 1/16 -CP
AUDIO-P.W.Board			R2181	06S65415Y33	RES,RK 472F 1/16 -CP
AUDIO-P.W.Board			R2190	06S45674W81	RES,RK 103J 1/10 -CP
AUDIO-P.W.Board			R2191	06S45674W57	RES,RK 102J 1/10 -CP
AUDIO-P.W.Board			R2192	06S15615Y45	RES,RK 681J 1/16 -CP
AUDIO-P.W.Board			R2204	06S65415Y37	RES,RK 103F 1/16 -CP
AUDIO-P.W.Board			R2207	06S65415Y37	RES,RK 103F 1/16 -CP
AUDIO-P.W.Board			R2213	06S65415Y35	RES,RK 682F 1/16 -CP
AUDIO-P.W.Board			R2214	06S65415Y35	RES,RK 682F 1/16 -CP
AUDIO-P.W.Board			R2215	06S15616Y23	RES,RK JUMPER1/16-CP
AUDIO-P.W.Board			R2216	06S15616Y23	RES,RK JUMPER1/16-CP
AUDIO-P.W.Board			R2217	06S15616Y23	RES,RK JUMPER1/16-CP
AUDIO-P.W.Board			R2218	06S15616Y23	RES,RK JUMPER1/16-CP
AUDIO-P.W.Board			R2221	06S15616Y23	RES,RK JUMPER1/16-CP

P.W.Board	MIS	MODEL	Ref.	Parts No.	Parts Name
AUDIO-P.W.Board			R2222	06S15616Y23	RES,RK JUMPER1/16-CP
AUDIO-P.W.Board			R2226	06S15616Y23	RES,RK JUMPER1/16-CP
AUDIO-P.W.Board			R2227	06S15615Y25	RES,RK 101J 1/16 -CP
AUDIO-P.W.Board			R2228	06S15616Y23	RES,RK JUMPER1/16-CP
AUDIO-P.W.Board			R2229	06S15616Y23	RES,RK JUMPER1/16-CP
AUDIO-P.W.Board			R2230	06S15616Y23	RES,RK JUMPER1/16-CP
AUDIO-P.W.Board			R2231	06S15616Y23	RES,RK JUMPER1/16-CP
AUDIO-P.W.Board			R2232	06S15616Y23	RES,RK JUMPER1/16-CP
AUDIO-P.W.Board			R2233	06S15616Y23	RES,RK JUMPER1/16-CP
AUDIO-P.W.Board			R2234	06S15616Y23	RES,RK JUMPER1/16-CP
AUDIO-P.W.Board			R2249	06S65415Y37	RES,RK 103F 1/16 -CP
AUDIO-P.W.Board			R2250	06S15616Y23	RES,RK JUMPER1/16-CP
AUDIO-P.W.Board			R2251	06S15616Y23	RES,RK JUMPER1/16-CP
AUDIO-P.W.Board			R2253	06S15615Y09	RES,RK 22RJ 1/16 -CP
AUDIO-P.W.Board			R2254	06S15615Y09	RES,RK 22RJ 1/16 -CP

P.W.Board	MIS	MODEL	Ref.	Parts No.	Parts Name
AUDIO-P.W.Board			R2255	06S15616Y23	RES,RK JUMPER1/16-CP
AUDIO-P.W.Board			R2256	06S15615Y09	RES,RK 22RJ 1/16 -CP
AUDIO-P.W.Board			R2258	06S65415Y37	RES,RK 103F 1/16 -CP
AUDIO-P.W.Board			R2260	06S15616Y23	RES,RK JUMPER1/16-CP
AUDIO-P.W.Board			R2262	06S15616Y23	RES,RK JUMPER1/16-CP
AUDIO-P.W.Board			R2263	06S15616Y23	RES,RK JUMPER1/16-CP
AUDIO-P.W.Board			R2268	06S65415Y35	RES,RK 682F 1/16 -CP
AUDIO-P.W.Board			R2270	06S15615Y25	RES,RK 101J 1/16 -CP
AUDIO-P.W.Board			R2400	06S65415Y34	RES,RK 562F 1/16 -CP
AUDIO-P.W.Board			R2401	06S65415Y46	RES,RK 563F 1/16 -CP
AUDIO-P.W.Board			R2402	06S15615Y57	RES,RK 222J 1/16 -CP
AUDIO-P.W.Board			R2403	06S15593Y81	RES,RK 223F 1/10 -CP
AUDIO-P.W.Board			R2404	06S65415Y35	RES,RK 682F 1/16 -CP
AUDIO-P.W.Board			R2405	06-25919Z13	RES,RK 753F 1/16 -CP
AUDIO-P.W.Board			R2406	06S65415Y35	RES,RK 682F 1/16 -CP

P.W.Board	MIS	MODEL	Ref.	Parts No.	Parts Name
AUDIO-P.W.Board			R2407	06-25919Z13	RES,RK 753F 1/16 -CP
AUDIO-P.W.Board			R2408	06S15593Y81	RES,RK 223F 1/10 -CP
AUDIO-P.W.Board			R2409	06S15616Y23	RES,RK JUMPER1/16-CP
AUDIO-P.W.Board			R2410	06S15615Y77	RES,RK 153J 1/16 -CP
AUDIO-P.W.Board			R2411	06S15593Y81	RES,RK 223F 1/10 -CP
AUDIO-P.W.Board			R2412	06S15593Y81	RES,RK 223F 1/10 -CP
AUDIO-P.W.Board			R2413	06S15616Y23	RES,RK JUMPER1/16-CP
AUDIO-P.W.Board			R2414	06S15593Y69	RES,RK 682F 1/10 -CP
AUDIO-P.W.Board			R2415	06S15593Y81	RES,RK 223F 1/10 -CP
AUDIO-P.W.Board			R2416	06S15593Y81	RES,RK 223F 1/10 -CP
AUDIO-P.W.Board			R2417	06S15593Y81	RES,RK 223F 1/10 -CP
AUDIO-P.W.Board			R2418	06S15593Y69	RES,RK 682F 1/10 -CP
AUDIO-P.W.Board			R2419	06S15593Y81	RES,RK 223F 1/10 -CP
AUDIO-P.W.Board			R2420	06S65415Y49	RES,RK 104F 1/16 -CP
AUDIO-P.W.Board			R2421	06S15593Y81	RES,RK 223F 1/10 -CP

P.W.Board	MIS	MODEL	Ref.	Parts No.	Parts Name
AUDIO-P.W.Board			R2422	06S15593Y81	RES,RK 223F 1/10 -CP
AUDIO-P.W.Board			R2423	06S65415Y49	RES,RK 104F 1/16 -CP
AUDIO-P.W.Board			R2424	06S15593Y81	RES,RK 223F 1/10 -CP
AUDIO-P.W.Board			R2425	06S15593Y81	RES,RK 223F 1/10 -CP
AUDIO-P.W.Board			R2426	06S65415Y49	RES,RK 104F 1/16 -CP
AUDIO-P.W.Board			R2427	06S15593Y81	RES,RK 223F 1/10 -CP
AUDIO-P.W.Board			R2428	06S15593Y81	RES,RK 223F 1/10 -CP
AUDIO-P.W.Board			R2429	06S65415Y49	RES,RK 104F 1/16 -CP
AUDIO-P.W.Board			R2430	06S65415Y49	RES,RK 104F 1/16 -CP
AUDIO-P.W.Board			R2431	06S15593Y81	RES,RK 223F 1/10 -CP
AUDIO-P.W.Board			R2432	06S15593Y81	RES,RK 223F 1/10 -CP
AUDIO-P.W.Board			R2433	06S15593Y81	RES,RK 223F 1/10 -CP
AUDIO-P.W.Board			R2434	06S15593Y81	RES,RK 223F 1/10 -CP
AUDIO-P.W.Board			R2435	06S65415Y49	RES,RK 104F 1/16 -CP
AUDIO-P.W.Board			R2436	06S15593Y81	RES,RK 223F 1/10 -CP

P.W.Board	MIS	MODEL	Ref.	Parts No.	Parts Name
AUDIO-P.W.Board			R2437	06S15593Y81	RES,RK 223F 1/10 -CP
AUDIO-P.W.Board			R2438	06S15593Y81	RES,RK 223F 1/10 -CP
AUDIO-P.W.Board			R2439	06S15615Y61	RES,RK 332J 1/16 -CP
AUDIO-P.W.Board			R2451	06S15593Y81	RES,RK 223F 1/10 -CP
AUDIO-P.W.Board			R2453	06S15593Y81	RES,RK 223F 1/10 -CP
AUDIO-P.W.Board			R2454	06S15593Y81	RES,RK 223F 1/10 -CP
AUDIO-P.W.Board			R2457	06S15593Y81	RES,RK 223F 1/10 -CP
AUDIO-P.W.Board			R2459	06S15593Y81	RES,RK 223F 1/10 -CP
AUDIO-P.W.Board			R2460	06S15615Y94	RES,RK 753J 1/16 -CP
AUDIO-P.W.Board			R2461	06S15615Y94	RES,RK 753J 1/16 -CP
AUDIO-P.W.Board			R2462	06S15615Y94	RES,RK 753J 1/16 -CP
AUDIO-P.W.Board			R2463	06S15615Y94	RES,RK 753J 1/16 -CP
AUDIO-P.W.Board			R2464	06S15615Y94	RES,RK 753J 1/16 -CP
AUDIO-P.W.Board			R2465	06S15615Y94	RES,RK 753J 1/16 -CP
AUDIO-P.W.Board			R2466	06S70072F29	RES,CP .101-J-1/4-CP

P.W.Board	MIS	MODEL	Ref.	Parts No.	Parts Name
AUDIO-P.W.Board		R2467	06S70072F29	RES,CP .101-J-1/4-CP	
AUDIO-P.W.Board		R2468	06S70072F29	RES,CP .101-J-1/4-CP	
AUDIO-P.W.Board		R2469	06S70072F29	RES,CP .101-J-1/4-CP	
AUDIO-P.W.Board		R2470	06S70072F29	RES,CP .101-J-1/4-CP	
AUDIO-P.W.Board		R2471	06S70072F29	RES,CP .101-J-1/4-CP	
AUDIO-P.W.Board		R2472	06S70072F37	RES,CP .221-J-1/4-CP	
AUDIO-P.W.Board		R2473	06S70072F37	RES,CP .221-J-1/4-CP	
AUDIO-P.W.Board		R2474	06S70072F37	RES,CP .221-J-1/4-CP	
AUDIO-P.W.Board		R2475	06S70072F37	RES,CP .221-J-1/4-CP	
AUDIO-P.W.Board		R2476	06S70072F37	RES,CP .221-J-1/4-CP	
AUDIO-P.W.Board		R2477	06S70072F37	RES,CP .221-J-1/4-CP	
AUDIO-P.W.Board		R2480	06S15616Y10	RES,RK 334J 1/16 -CP	
AUDIO-P.W.Board		R2481	06S65415Y49	RES,RK 104F 1/16 -CP	
AUDIO-P.W.Board		R2482	06S15615Y77	RES,RK 153J 1/16 -CP	
AUDIO-P.W.Board		R2483	06S65415Y49	RES,RK 104F 1/16 -CP	

P.W.Board	MIS	MODEL	Ref.	Parts No.	Parts Name
AUDIO-P.W.Board			R2484	06S15615Y77	RES,RK 153J 1/16 -CP
AUDIO-P.W.Board			R2485	06S15615Y25	RES,RK 101J 1/16 -CP
AUDIO-P.W.Board			R2486	06S15616Y23	RES,RK JUMPER1/16-CP
AUDIO-P.W.Board			R2487	06S65415Y37	RES,RK 103F 1/16 -CP
AUDIO-P.W.Board			R2488	06S65415Y29	RES,RK 222F 1/16 -CP
AUDIO-P.W.Board			R2489	06S15616Y14	RES,RK 474J 1/16 -CP
AUDIO-P.W.Board			R2490	06S65415Y29	RES,RK 222F 1/16 -CP
AUDIO-P.W.Board			R2500	06S15615Y41	RES,RK 471J 1/16 -CP
AUDIO-P.W.Board			R2501	06S15615Y41	RES,RK 471J 1/16 -CP
AUDIO-P.W.Board			R2502	06S15615Y41	RES,RK 471J 1/16 -CP
AUDIO-P.W.Board			R2503	06S15616Y23	RES,RK JUMPER1/16-CP
AUDIO-P.W.Board			R2504	06S15615Y73	RES,RK 103J 1/16 -CP
AUDIO-P.W.Board			R2505	06S15615Y73	RES,RK 103J 1/16 -CP
AUDIO-P.W.Board			R2506	06S15615Y65	RES,RK 472J 1/16 -CP
AUDIO-P.W.Board			R2507	06S15615Y73	RES,RK 103J 1/16 -CP

P.W.Board	MIS	MODEL	Ref.	Parts No.	Parts Name
AUDIO-P.W.Board			R2509	06S15615Y41	RES,RK 471J 1/16 -CP
AUDIO-P.W.Board			R2510	06S15615Y73	RES,RK 103J 1/16 -CP
AUDIO-P.W.Board			R2511	06S15616Y23	RES,RK JUMPER1/16-CP
AUDIO-P.W.Board			R2512	06S15615Y73	RES,RK 103J 1/16 -CP
AUDIO-P.W.Board			R2513	06S65415Y37	RES,RK 103F 1/16 -CP
AUDIO-P.W.Board			R2514	06S15616Y23	RES,RK JUMPER1/16-CP
AUDIO-P.W.Board			R2515	06S15616Y23	RES,RK JUMPER1/16-CP
AUDIO-P.W.Board			R2516	06S65415Y37	RES,RK 103F 1/16 -CP
AUDIO-P.W.Board			R2519	06S15615Y09	RES,RK 22RJ 1/16 -CP
AUDIO-P.W.Board			R2520	06S15615Y09	RES,RK 22RJ 1/16 -CP
AUDIO-P.W.Board			R2522	06S35095Y08	RES,RK JUMPER 1/4-CP
AUDIO-P.W.Board			R2523	06S15615Y65	RES,RK 472J 1/16 -CP
AUDIO-P.W.Board			R2524	06S15615Y73	RES,RK 103J 1/16 -CP
AUDIO-P.W.Board			R2525	06S15615Y73	RES,RK 103J 1/16 -CP
AUDIO-P.W.Board			R2528	06S15616Y23	RES,RK JUMPER1/16-CP

P.W.Board	MIS	MODEL	Ref.	Parts No.	Parts Name
AUDIO-P.W.Board			R2530	06S35095Y08	RES,RK JUMPER 1/4-CP
AUDIO-P.W.Board			R2532	06S15616Y23	RES,RK JUMPER1/16-CP
AUDIO-P.W.Board			R2534	06S35095Y08	RES,RK JUMPER 1/4-CP
AUDIO-P.W.Board			R2540	06S15616Y23	RES,RK JUMPER1/16-CP
AUDIO-P.W.Board			R2541	06S65415Y37	RES,RK 103F 1/16 -CP
AUDIO-P.W.Board			R2542	06S65415Y37	RES,RK 103F 1/16 -CP
AUDIO-P.W.Board			R2543	06S65415Y37	RES,RK 103F 1/16 -CP
AUDIO-P.W.Board			R2544	06S15616Y23	RES,RK JUMPER1/16-CP
AUDIO-P.W.Board			R2545	06S15616Y23	RES,RK JUMPER1/16-CP
AUDIO-P.W.Board			R2546	06S15616Y23	RES,RK JUMPER1/16-CP
AUDIO-P.W.Board			R2547	06S15615Y41	RES,RK 471J 1/16 -CP
AUDIO-P.W.Board			R2548	06S15615Y41	RES,RK 471J 1/16 -CP
AUDIO-P.W.Board			R2549	06S15615Y41	RES,RK 471J 1/16 -CP
AUDIO-P.W.Board			R2604	06S65415Y37	RES,RK 103F 1/16 -CP
AUDIO-P.W.Board			R2605	06S65415Y41	RES,RK 223F 1/16 -CP

P.W.Board	MIS	MODEL	Ref.	Parts No.	Parts Name
AUDIO-P.W.Board			R2650	06S15615Y25	RES,RK 101J 1/16 -CP
AUDIO-P.W.Board			R2651	06S15615Y49	RES,RK 102J 1/16 -CP
AUDIO-P.W.Board			R2652	06S15615Y49	RES,RK 102J 1/16 -CP
AUDIO-P.W.Board			R2653	06S15615Y89	RES,RK 473J 1/16 -CP
AUDIO-P.W.Board			R2654	06S45674W41	RES,RK 221J 1/10 -CP
AUDIO-P.W.Board			R2655	06S15616Y23	RES,RK JUMPER1/16-CP
AUDIO-P.W.Board			R2900	06S45675W43	RES,RK JUMPER1/10-CP
AUDIO-P.W.Board			R2902	06S15594Y14	RES,RK 474F 1/10 -CP
AUDIO-P.W.Board			R2903	06S15594Y14	RES,RK 474F 1/10 -CP
AUDIO-P.W.Board			R2904	06S65415Y11	RES,RK 68RF 1/16 -CP
AUDIO-P.W.Board			R3000	06S15616Y14	RES,RK 474J 1/16 -CP
AUDIO-P.W.Board			R3007	06S65415Y37	RES,RK 103F 1/16 -CP
AUDIO-P.W.Board			R3008	06S65415Y37	RES,RK 103F 1/16 -CP
AUDIO-P.W.Board			R3009	06S65415Y37	RES,RK 103F 1/16 -CP
AUDIO-P.W.Board			R3010	06S15616Y23	RES,RK JUMPER1/16-CP

P.W.Board	MIS	MODEL	Ref.	Parts No.	Parts Name
AUDIO-P.W.Board			R3011	06S15616Y23	RES,RK JUMPER1/16-CP
AUDIO-P.W.Board			R3012	06S15616Y23	RES,RK JUMPER1/16-CP
AUDIO-P.W.Board			R3014	06S15615Y19	RES,RK 56RJ 1/16 -CP
AUDIO-P.W.Board			R3015	06S65415Y37	RES,RK 103F 1/16 -CP
AUDIO-P.W.Board			R3016	06S15615Y25	RES,RK 101J 1/16 -CP
AUDIO-P.W.Board			R3019	06S15616Y23	RES,RK JUMPER1/16-CP
AUDIO-P.W.Board			R3023	06S65415Y37	RES,RK 103F 1/16 -CP
AUDIO-P.W.Board			R3025	06S65415Y37	RES,RK 103F 1/16 -CP
AUDIO-P.W.Board			R3100	06S45674W81	RES,RK 103J 1/10 -CP
AUDIO-P.W.Board			R3102	06S45674W81	RES,RK 103J 1/10 -CP
AUDIO-P.W.Board			R3105	06S15616Y23	RES,RK JUMPER1/16-CP
AUDIO-P.W.Board			R3106	06S15616Y23	RES,RK JUMPER1/16-CP
AUDIO-P.W.Board			R3109	06S45674W57	RES,RK 102J 1/10 -CP
AUDIO-P.W.Board			R3130	06S45674W57	RES,RK 102J 1/10 -CP
AUDIO-P.W.Board			R3131	06S45674W57	RES,RK 102J 1/10 -CP

P.W.Board	MIS	MODEL	Ref.	Parts No.	Parts Name
AUDIO-P.W.Board			R3132	06S45674W57	RES,RK 102J 1/10 -CP
AUDIO-P.W.Board			R3133	06S45674W57	RES,RK 102J 1/10 -CP
AUDIO-P.W.Board			R3134	06S45674W57	RES,RK 102J 1/10 -CP
AUDIO-P.W.Board			R3135	06S45674W57	RES,RK 102J 1/10 -CP
AUDIO-P.W.Board			R3150	06S45675W43	RES,RK JUMPER1/10-CP
AUDIO-P.W.Board			R3151	06S45675W43	RES,RK JUMPER1/10-CP
AUDIO-P.W.Board			R3152	06S45675W43	RES,RK JUMPER1/10-CP
AUDIO-P.W.Board			R3153	06S70072F51	RES,CP .821-J-1/4-CP
AUDIO-P.W.Board			R3154	06S70072F53	RES,CP .102-J-1/4-CP
AUDIO-P.W.Board			R3155	06S70072F53	RES,CP .102-J-1/4-CP
AUDIO-P.W.Board			R3156	06S70072F98	RES,RK 223J 1/4 -CP
AUDIO-P.W.Board			R3158	06S65415Y41	RES,RK 223F 1/16 -CP
AUDIO-P.W.Board			R3159	06S15615Y41	RES,RK 471J 1/16 -CP
AUDIO-P.W.Board			R3200	06S65415Y41	RES,RK 223F 1/16 -CP
AUDIO-P.W.Board			R3202	06S15616Y14	RES,RK 474J 1/16 -CP

P.W.Board	MIS	MODEL	Ref.	Parts No.	Parts Name
AUDIO-P.W.Board		R3203	06S35083Y39	RES,RK 153F 1/4 -CP	
AUDIO-P.W.Board		R3204	06S15593Y86	RES,RK 363F 1/10 -CP	
AUDIO-P.W.Board		R3205	06S65415Y30	RES,RK 272F 1/16 -CP	
AUDIO-P.W.Board		R3206	06S65415Y41	RES,RK 223F 1/16 -CP	
AUDIO-P.W.Board		R3207	06S35083Y43	RES,RK 333F 1/4 -CP	
AUDIO-P.W.Board		R3208	06S35083Y40	RES,RK 183F 1/4 -CP	
AUDIO-P.W.Board		R3209	06S70072F69	RES,CP .472-J-1/4-CP	
AUDIO-P.W.Board		R3210	06S70072F69	RES,CP .472-J-1/4-CP	
AUDIO-P.W.Board		R3211	06S15615Y89	RES,RK 473J 1/16 -CP	
AUDIO-P.W.Board		R3213	06S15616Y23	RES,RK JUMPER1/16-CP	
AUDIO-P.W.Board		R3218	06S65415Y41	RES,RK 223F 1/16 -CP	
AUDIO-P.W.Board		R3219	06S65415Y41	RES,RK 223F 1/16 -CP	
AUDIO-P.W.Board		R3224	06S65415Y37	RES,RK 103F 1/16 -CP	
AUDIO-P.W.Board		R3225	06S15616Y23	RES,RK JUMPER1/16-CP	
AUDIO-P.W.Board		R3227	06S65415Y37	RES,RK 103F 1/16 -CP	

P.W.Board	MIS	MODEL	Ref.	Parts No.	Parts Name
AUDIO-P.W.Board			R3228	06S65415Y37	RES,RK 103F 1/16 -CP
AUDIO-P.W.Board			R3234	06S15593Y81	RES,RK 223F 1/10 -CP
AUDIO-P.W.Board			R3235	06S15593Y61	RES,RK 332F 1/10 -CP
AUDIO-P.W.Board			R3236	06S45674W65	RES,RK 222J 1/10 -CP
AUDIO-P.W.Board			R3237	06S15593Y81	RES,RK 223F 1/10 -CP
AUDIO-P.W.Board			R3239	06S15615Y25	RES,RK 101J 1/16 -CP
AUDIO-P.W.Board			R3240	06S65415Y37	RES,RK 103F 1/16 -CP
AUDIO-P.W.Board			R3241	06S15616Y23	RES,RK JUMPER1/16-CP
AUDIO-P.W.Board			R3242	06S15616Y23	RES,RK JUMPER1/16-CP
AUDIO-P.W.Board			R3245	06S65415Y41	RES,RK 223F 1/16 -CP
AUDIO-P.W.Board			R3246	06S15615Y61	RES,RK 332J 1/16 -CP
AUDIO-P.W.Board			R3249	06S45674W57	RES,RK 102J 1/10 -CP
AUDIO-P.W.Board			R3250	06S15616Y06	RES,RK 224J 1/16 -CP
AUDIO-P.W.Board			R3251	06S15615Y61	RES,RK 332J 1/16 -CP
AUDIO-P.W.Board			R3252	06S45674W57	RES,RK 102J 1/10 -CP

P.W.Board	MIS	MODEL	Ref.	Parts No.	Parts Name
AUDIO-P.W.Board			R3254	06S15616Y06	RES,RK 224J 1/16 -CP
AUDIO-P.W.Board			R3301	06S15616Y23	RES,RK JUMPER1/16-CP
AUDIO-P.W.Board			R3302	06S15616Y23	RES,RK JUMPER1/16-CP
AUDIO-P.W.Board			R3303	06S15616Y23	RES,RK JUMPER1/16-CP
AUDIO-P.W.Board			R3305	06S15616Y23	RES,RK JUMPER1/16-CP
AUDIO-P.W.Board			R3306	06S15616Y23	RES,RK JUMPER1/16-CP
AUDIO-P.W.Board			R3307	06S15616Y23	RES,RK JUMPER1/16-CP
AUDIO-P.W.Board			R3308	06S15616Y23	RES,RK JUMPER1/16-CP
AUDIO-P.W.Board			R3311	06S15616Y23	RES,RK JUMPER1/16-CP
AUDIO-P.W.Board			R3313	06S15616Y23	RES,RK JUMPER1/16-CP
AUDIO-P.W.Board			R3400	06S15594Y01	RES,RK 134F 1/10 -CP
AUDIO-P.W.Board			R3401	06S15593Y99	RES,RK 124F 1/10 -CP
AUDIO-P.W.Board			R3402	06S15593Y66	RES,RK 512F 1/10 -CP
AUDIO-P.W.Board			R3403	06S15593Y94	RES,RK 753F 1/10 -CP
AUDIO-P.W.Board			R3404	06S15593Y67	RES,RK 562F 1/10 -CP

P.W.Board	MIS	MODEL	Ref.	Parts No.	Parts Name
AUDIO-P.W.Board		R3405	06S15594Y08	RES,RK 274F 1/10 -CP	
AUDIO-P.W.Board		R3406	06S15593Y95	RES,RK 823F 1/10 -CP	
AUDIO-P.W.Board		R3407	06S70072F63	RES,CP .272-J-1/4-CP	
AUDIO-P.W.Board		R3408	06S65415Y32	RES,RK 392F 1/16 -CP	
AUDIO-P.W.Board		R3409	06S65415Y35	RES,RK 682F 1/16 -CP	
AUDIO-P.W.Board		R3410	06S70072F77	RES,CP .103-J-1/4-CP	
AUDIO-P.W.Board		R3411	06S65415Y35	RES,RK 682F 1/16 -CP	
AUDIO-P.W.Board		R3412	06S65415Y35	RES,RK 682F 1/16 -CP	
AUDIO-P.W.Board		R3413	06S65415Y43	RES,RK 333F 1/16 -CP	
AUDIO-P.W.Board		R3414	06S65415Y41	RES,RK 223F 1/16 -CP	
AUDIO-P.W.Board		R3415	06S15593Y66	RES,RK 512F 1/10 -CP	
AUDIO-P.W.Board		R3416	06S15616Y23	RES,RK JUMPER1/16-CP	
AUDIO-P.W.Board		R3417	06S15616Y23	RES,RK JUMPER1/16-CP	
AUDIO-P.W.Board		R3430	06S65415Y47	RES,RK 683F 1/16 -CP	
AUDIO-P.W.Board		R3431	06S65415Y30	RES,RK 272F 1/16 -CP	

P.W.Board	MIS	MODEL	Ref.	Parts No.	Parts Name
AUDIO-P.W.Board		R3432	06S65415Y35	RES,RK 682F 1/16 -CP	
AUDIO-P.W.Board		R3433	06S15594Y18	RES,RK 684F 1/10 -CP	
AUDIO-P.W.Board		R3434	06S15593Y90	RES,RK 513F 1/10 -CP	
AUDIO-P.W.Board		R3440	06S15594Y18	RES,RK 684F 1/10 -CP	
AUDIO-P.W.Board		R3442	06S65415Y38	RES,RK 123F 1/16 -CP	
AUDIO-P.W.Board		R3443	06S65415Y30	RES,RK 272F 1/16 -CP	
AUDIO-P.W.Board		R3444	06S65415Y33	RES,RK 472F 1/16 -CP	
AUDIO-P.W.Board		R3445	06S15593Y91	RES,RK 563F 1/10 -CP	
AUDIO-P.W.Board		R3461	06S65415Y29	RES,RK 222F 1/16 -CP	
AUDIO-P.W.Board		R3462	06S65415Y18	RES,RK 271F 1/16 -CP	
AUDIO-P.W.Board		R3463	06S65415Y33	RES,RK 472F 1/16 -CP	
AUDIO-P.W.Board		R3464	06S15593Y67	RES,RK 562F 1/10 -CP	
AUDIO-P.W.Board		R3465	06S15593Y93	RES,RK 683F 1/10 -CP	
AUDIO-P.W.Board		R3471	06S65415Y29	RES,RK 222F 1/16 -CP	
AUDIO-P.W.Board		R3472	06S65415Y21	RES,RK 471F 1/16 -CP	

P.W.Board	MIS	MODEL	Ref.	Parts No.	Parts Name
AUDIO-P.W.Board			R3473	06S65415Y33	RES,RK 472F 1/16 -CP
AUDIO-P.W.Board			R3474	06S15593Y71	RES,RK 822F 1/10 -CP
AUDIO-P.W.Board			R3475	06S15594Y16	RES,RK 564F 1/10 -CP
AUDIO-P.W.Board			R3480	06S15593Y92	RES,RK 623F 1/10 -CP
AUDIO-P.W.Board			R3482	06S65415Y38	RES,RK 123F 1/16 -CP
AUDIO-P.W.Board			R3483	06S65415Y30	RES,RK 272F 1/16 -CP
AUDIO-P.W.Board			R3484	06S65415Y33	RES,RK 472F 1/16 -CP
AUDIO-P.W.Board			R3485	06S15594Y12	RES,RK 394F 1/10 -CP
AUDIO-P.W.Board			R3492	06S35083Y64	RES,RK 3R3F 1/4 -CP
AUDIO-P.W.Board			R3493	06S45675W43	RES,RK JUMPER1/10-CP
AUDIO-P.W.Board			R3500	06S15615Y49	RES,RK 102J 1/16 -CP
AUDIO-P.W.Board			R3510	06S65415Y37	RES,RK 103F 1/16 -CP
AUDIO-P.W.Board			R3511	06S15593Y66	RES,RK 512F 1/10 -CP
AUDIO-P.W.Board			R3512	06S15594Y03	RES,RK 164F 1/10 -CP
AUDIO-P.W.Board			R3600	06S35095Y08	RES,RK JUMPER 1/4-CP

P.W.Board	MIS	MODEL	Ref.	Parts No.	Parts Name
AUDIO-P.W.Board		R3601	06S65415Y38	RES,RK 123F 1/16 -CP	
AUDIO-P.W.Board		R3602	06S15594Y09	RES,RK 304F 1/10 -CP	
AUDIO-P.W.Board		R3603	06S65415Y31	RES,RK 332F 1/16 -CP	
AUDIO-P.W.Board		R3604	06S65415Y42	RES,RK 273F 1/16 -CP	
AUDIO-P.W.Board		R3606	06S65415Y27	RES,RK 152F 1/16 -CP	
AUDIO-P.W.Board		R3608	06S15593Y66	RES,RK 512F 1/10 -CP	
AUDIO-P.W.Board		R3609	06S15615Y69	RES,RK 682J 1/16 -CP	
AUDIO-P.W.Board		R3610	06S15615Y25	RES,RK 101J 1/16 -CP	
AUDIO-P.W.Board		R3630	06S70072F31	RES,CP .121-J-1/4-CP	
AUDIO-P.W.Board		SA2901	08-19391Z01	VST,IMSA-6803-01Y-CP	
AUDIO-P.W.Board		SD2440	48-22179Z01	DIO,SHT DB3X313F0LCP	
AUDIO-P.W.Board		SD2441	48T35138Y01	DIO,SHT RB160L-40-E1	
AUDIO-P.W.Board		SD3601	48-19296Z01	DIO,SHT RB056L-40-E1	
AUDIO-P.W.Board		T3100	25-12466Z01	CHOKE,GLI-UB3442 -DB	
AUDIO-P.W.Board		TH2000	48T75219Y02	TMT,NCP18WB473F1S-CP	

P.W.Board	MIS	MODEL	Ref.	Parts No.	Parts Name
AUDIO-P.W.Board		TML3000	29-22540Z01	OGCP-702020 -E4	
AUDIO-P.W.Board		VT2901	24-29820Z01	COIL,RF FM M5-N/R-E5	
AUDIO-P.W.Board		XL2000	91-16024Z01	XTL,AT-41CD2 3.98-E9	
AUDIO-P.W.Board		XL2200	91-26661Z31	XTL,NX3225SAAG55.4CP	
AUDIO-P.W.Board		XL2500	91-26661Z02	XTL,NX3225SAAG12.2CP	
AUDIO-P.W.Board		XL3001	91-26661Z31	XTL,NX3225SAAG55.4CP	
AUDIO-P.W.Board		ZD2480	48T62934F05	DIO,ZEN.RD3.0MB2 -CP	
AUDIO-P.W.Board		ZD3100	48-23921Z01	DIO,ZEN ZSH5MAZ27-ED	
AUDIO-P.W.Board		ZD3130	48-21149Z23	DIO,ZEN DZ2J056M0LCP	
AUDIO-P.W.Board		ZD3150	48-21149Z23	DIO,ZEN DZ2J056M0LCP	
AUDIO-P.W.Board		ZD3151	48-21149Z23	DIO,ZEN DZ2J056M0LCP	
AUDIO-P.W.Board		ZD3152	48-21149Z23	DIO,ZEN DZ2J056M0LCP	
AUDIO-P.W.Board		ZD3200	48-16145Z25	DIO,ZEN PZU6.2B2 -CP	
AUDIO-P.W.Board		ZD3201	48-21149Z23	DIO,ZEN DZ2J056M0LCP	
AUDIO-P.W.Board		ZD3202	48-01607Z08	DIO,ZEN LUDZ3.9B -CP	
I.MX-P.W.Board		ANT5501	09-07494Z01	U.FL-R-SMT-1(80)-E2	

P.W.Board	MIS	MODEL	Ref.	Parts No.	Parts Name
I.MX-P.W.Board		C4000	08S45231Y05	CAP,CER 2R0C-CK1H-CP	
I.MX-P.W.Board		C4001	08S45231Y05	CAP,CER 2R0C-CK1H-CP	
I.MX-P.W.Board		C4002	08S45231Y10	CAP,CER 7R0D-CH1H-CP	
I.MX-P.W.Board		C4003	08S45231Y10	CAP,CER 7R0D-CH1H-CP	
I.MX-P.W.Board		C4007	08-12461Z01	CAP,CER 104M-C80J-CP	
I.MX-P.W.Board		C4008	08-12461Z01	CAP,CER 104M-C80J-CP	
I.MX-P.W.Board		C4009	08S45232Y05	CAP,CER 102K-B1H -CP	
I.MX-P.W.Board		C4010	08S45232Y05	CAP,CER 102K-B1H -CP	
I.MX-P.W.Board		C4014	08-12461Z01	CAP,CER 104M-C80J-CP	
I.MX-P.W.Board		C4015	08-12461Z01	CAP,CER 104M-C80J-CP	
I.MX-P.W.Board		C4016	08-12461Z01	CAP,CER 104M-C80J-CP	
I.MX-P.W.Board		C4017	08-12461Z01	CAP,CER 104M-C80J-CP	
I.MX-P.W.Board		C4018	08-12461Z01	CAP,CER 104M-C80J-CP	
I.MX-P.W.Board		C4024	08-12461Z01	CAP,CER 104M-C80J-CP	
I.MX-P.W.Board		C4025	08-12461Z01	CAP,CER 104M-C80J-CP	
I.MX-P.W.Board		C4026	08-12461Z01	CAP,CER 104M-C80J-CP	
I.MX-P.W.Board		C4027	08-12461Z01	CAP,CER 104M-C80J-CP	
I.MX-P.W.Board		C4028	08-12461Z01	CAP,CER 104M-C80J-CP	
I.MX-P.W.Board		C4029	08S35374W12	CAP,CER 106K-B0J -CP	
I.MX-P.W.Board		C4030	08S65668Y05	CAP,CER 224KX5R1A-CP	
I.MX-P.W.Board		C4031	08S65668Y05	CAP,CER 224KX5R1A-CP	
I.MX-P.W.Board		C4032	08S65670Y06	CAP,CER 226KX5R1A-CP	
I.MX-P.W.Board		C4033	08-12461Z01	CAP,CER 104M-C80J-CP	
I.MX-P.W.Board		C4034	08-12461Z01	CAP,CER 104M-C80J-CP	
I.MX-P.W.Board		C4035	08-12461Z01	CAP,CER 104M-C80J-CP	

P.W.Board	MIS	MODEL	Ref.	Parts No.	Parts Name
I.MX-P.W.Board		C4036	08-12461Z01	CAP,CER 104M-C80J-CP	
I.MX-P.W.Board		C4037	08-12461Z01	CAP,CER 104M-C80J-CP	
I.MX-P.W.Board		C4038	08-12461Z01	CAP,CER 104M-C80J-CP	
I.MX-P.W.Board		C4039	08-12461Z01	CAP,CER 104M-C80J-CP	
I.MX-P.W.Board		C4040	08-12461Z01	CAP,CER 104M-C80J-CP	
I.MX-P.W.Board		C4041	08S35374W12	CAP,CER 106K-B0J -CP	
I.MX-P.W.Board		C4042	08S45232Y17	CAP,CER 104K-B0J -CP	
I.MX-P.W.Board		C4043	08S45232Y17	CAP,CER 104K-B0J -CP	
I.MX-P.W.Board		C4044	08S45232Y17	CAP,CER 104K-B0J -CP	
I.MX-P.W.Board		C4045	08S45232Y17	CAP,CER 104K-B0J -CP	
I.MX-P.W.Board		C4046	08S45232Y17	CAP,CER 104K-B0J -CP	
I.MX-P.W.Board		C4047	08S45232Y17	CAP,CER 104K-B0J -CP	
I.MX-P.W.Board		C4048	08S45232Y17	CAP,CER 104K-B0J -CP	
I.MX-P.W.Board		C4049	08S35349Y12	CAP,CER 105K-B0J -CP	
I.MX-P.W.Board		C4050	08S45232Y17	CAP,CER 104K-B0J -CP	
I.MX-P.W.Board		C4051	08S35374W11	CAP,CER 475K-B0J -CP	
I.MX-P.W.Board		C4052	08S45232Y17	CAP,CER 104K-B0J -CP	
I.MX-P.W.Board		C4053	08S65669Y03	CAP,CER 224KX7R1H-CP	
I.MX-P.W.Board		C4054	08-12461Z01	CAP,CER 104M-C80J-CP	
I.MX-P.W.Board		C4055	08-12461Z01	CAP,CER 104M-C80J-CP	
I.MX-P.W.Board		C4056	08-12461Z01	CAP,CER 104M-C80J-CP	
I.MX-P.W.Board		C4057	08-12461Z01	CAP,CER 104M-C80J-CP	
I.MX-P.W.Board		C4058	08-12461Z01	CAP,CER 104M-C80J-CP	
I.MX-P.W.Board		C4061	08S65670Y06	CAP,CER 226KX5R1A-CP	
I.MX-P.W.Board		C4063	08-12461Z01	CAP,CER 104M-C80J-CP	

P.W.Board	MIS	MODEL	Ref.	Parts No.	Parts Name
I.MX-P.W.Board		C4064	08-12461Z01	CAP,CER 104M-C80J-CP	
I.MX-P.W.Board		C4065	08-12461Z01	CAP,CER 104M-C80J-CP	
I.MX-P.W.Board		C4066	08-12461Z01	CAP,CER 104M-C80J-CP	
I.MX-P.W.Board		C4067	08S65670Y06	CAP,CER 226KX5R1A-CP	
I.MX-P.W.Board		C4068	08-12461Z01	CAP,CER 104M-C80J-CP	
I.MX-P.W.Board		C4069	08-12461Z01	CAP,CER 104M-C80J-CP	
I.MX-P.W.Board		C4070	08-12461Z01	CAP,CER 104M-C80J-CP	
I.MX-P.W.Board		C4071	08-12461Z01	CAP,CER 104M-C80J-CP	
I.MX-P.W.Board		C4072	08S45232Y17	CAP,CER 104K-B0J -CP	
I.MX-P.W.Board		C4073	08S45232Y17	CAP,CER 104K-B0J -CP	
I.MX-P.W.Board		C4074	08S45232Y17	CAP,CER 104K-B0J -CP	
I.MX-P.W.Board		C4075	08S45232Y17	CAP,CER 104K-B0J -CP	
I.MX-P.W.Board		C4076	08S35374W11	CAP,CER 475K-B0J -CP	
I.MX-P.W.Board		C4077	08S65668Y05	CAP,CER 224KX5R1A-CP	
I.MX-P.W.Board		C4078	08-12461Z01	CAP,CER 104M-C80J-CP	
I.MX-P.W.Board		C4079	08S35374W12	CAP,CER 106K-B0J -CP	
I.MX-P.W.Board		C4080	08S45232Y17	CAP,CER 104K-B0J -CP	
I.MX-P.W.Board		C4081	08S65670Y06	CAP,CER 226KX5R1A-CP	
I.MX-P.W.Board		C4082	08S35374W12	CAP,CER 106K-B0J -CP	
I.MX-P.W.Board		C4083	08S65670Y06	CAP,CER 226KX5R1A-CP	
I.MX-P.W.Board		C4200	08-12461Z01	CAP,CER 104M-C80J-CP	
I.MX-P.W.Board		C4201	08-12461Z01	CAP,CER 104M-C80J-CP	
I.MX-P.W.Board		C4202	08-12461Z01	CAP,CER 104M-C80J-CP	
I.MX-P.W.Board		C4203	08-12461Z01	CAP,CER 104M-C80J-CP	
I.MX-P.W.Board		C4204	08S45232Y17	CAP,CER 104K-B0J -CP	

P.W.Board	MIS	MODEL	Ref.	Parts No.	Parts Name
I.MX-P.W.Board		C4205	08-12461Z01	CAP,CER 104M-C80J-CP	
I.MX-P.W.Board		C4206	08-12461Z01	CAP,CER 104M-C80J-CP	
I.MX-P.W.Board		C4207	08-12461Z01	CAP,CER 104M-C80J-CP	
I.MX-P.W.Board		C4208	08S45232Y17	CAP,CER 104K-B0J -CP	
I.MX-P.W.Board		C4209	08-12461Z01	CAP,CER 104M-C80J-CP	
I.MX-P.W.Board		C4210	08-12461Z01	CAP,CER 104M-C80J-CP	
I.MX-P.W.Board		C4211	08S45232Y05	CAP,CER 102K-B1H -CP	
I.MX-P.W.Board		C4212	08S45232Y05	CAP,CER 102K-B1H -CP	
I.MX-P.W.Board		C4213	08-12461Z01	CAP,CER 104M-C80J-CP	
I.MX-P.W.Board		C4214	08-12461Z01	CAP,CER 104M-C80J-CP	
I.MX-P.W.Board		C4215	08S45232Y05	CAP,CER 102K-B1H -CP	
I.MX-P.W.Board		C4216	08S45232Y05	CAP,CER 102K-B1H -CP	
I.MX-P.W.Board		C4217	08-12461Z01	CAP,CER 104M-C80J-CP	
I.MX-P.W.Board		C4218	08-12461Z01	CAP,CER 104M-C80J-CP	
I.MX-P.W.Board		C4219	08-12461Z01	CAP,CER 104M-C80J-CP	
I.MX-P.W.Board		C4220	08-12461Z01	CAP,CER 104M-C80J-CP	
I.MX-P.W.Board		C4221	08-12461Z01	CAP,CER 104M-C80J-CP	
I.MX-P.W.Board		C4222	08-12461Z01	CAP,CER 104M-C80J-CP	
I.MX-P.W.Board		C4223	08-12461Z01	CAP,CER 104M-C80J-CP	
I.MX-P.W.Board		C4224	08S45232Y17	CAP,CER 104K-B0J -CP	
I.MX-P.W.Board		C4225	08S45232Y17	CAP,CER 104K-B0J -CP	
I.MX-P.W.Board		C4226	08-12461Z01	CAP,CER 104M-C80J-CP	
I.MX-P.W.Board		C4227	08-12461Z01	CAP,CER 104M-C80J-CP	
I.MX-P.W.Board		C4228	08S45232Y05	CAP,CER 102K-B1H -CP	
I.MX-P.W.Board		C4229	08S45232Y05	CAP,CER 102K-B1H -CP	

P.W.Board	MIS	MODEL	Ref.	Parts No.	Parts Name
I.MX-P.W.Board		C4230	08-12461Z01		CAP,CER 104M-C80J-CP
I.MX-P.W.Board		C4231	08-12461Z01		CAP,CER 104M-C80J-CP
I.MX-P.W.Board		C4232	08S45232Y05		CAP,CER 102K-B1H -CP
I.MX-P.W.Board		C4233	08S45232Y05		CAP,CER 102K-B1H -CP
I.MX-P.W.Board		C4234	08-12461Z01		CAP,CER 104M-C80J-CP
I.MX-P.W.Board		C4235	08-12461Z01		CAP,CER 104M-C80J-CP
I.MX-P.W.Board		C4236	08-12461Z01		CAP,CER 104M-C80J-CP
I.MX-P.W.Board		C4237	08-12461Z01		CAP,CER 104M-C80J-CP
I.MX-P.W.Board		C4238	08-12461Z01		CAP,CER 104M-C80J-CP
I.MX-P.W.Board		C4239	08-12461Z01		CAP,CER 104M-C80J-CP
I.MX-P.W.Board		C4240	08-12461Z01		CAP,CER 104M-C80J-CP
I.MX-P.W.Board		C4241	08S45232Y17		CAP,CER 104K-B0J -CP
I.MX-P.W.Board		C4242	08S45232Y17		CAP,CER 104K-B0J -CP
I.MX-P.W.Board		C4243	08-12461Z01		CAP,CER 104M-C80J-CP
I.MX-P.W.Board		C4244	08-12461Z01		CAP,CER 104M-C80J-CP
I.MX-P.W.Board		C4245	08S45232Y05		CAP,CER 102K-B1H -CP
I.MX-P.W.Board		C4246	08S45232Y05		CAP,CER 102K-B1H -CP
I.MX-P.W.Board		C4247	08-12461Z01		CAP,CER 104M-C80J-CP
I.MX-P.W.Board		C4248	08-12461Z01		CAP,CER 104M-C80J-CP
I.MX-P.W.Board		C4249	08S45232Y05		CAP,CER 102K-B1H -CP
I.MX-P.W.Board		C4250	08S45232Y05		CAP,CER 102K-B1H -CP
I.MX-P.W.Board		C4251	08-12461Z01		CAP,CER 104M-C80J-CP
I.MX-P.W.Board		C4252	08-12461Z01		CAP,CER 104M-C80J-CP
I.MX-P.W.Board		C4253	08-12461Z01		CAP,CER 104M-C80J-CP
I.MX-P.W.Board		C4254	08-12461Z01		CAP,CER 104M-C80J-CP

P.W.Board	MIS	MODEL	Ref.	Parts No.	Parts Name
I.MX-P.W.Board		C4255	08-12461Z01	CAP,CER 104M-C80J-CP	
I.MX-P.W.Board		C4256	08-12461Z01	CAP,CER 104M-C80J-CP	
I.MX-P.W.Board		C4257	08-12461Z01	CAP,CER 104M-C80J-CP	
I.MX-P.W.Board		C4258	08S45232Y17	CAP,CER 104K-B0J -CP	
I.MX-P.W.Board		C4259	08S45232Y17	CAP,CER 104K-B0J -CP	
I.MX-P.W.Board		C4260	08-12461Z01	CAP,CER 104M-C80J-CP	
I.MX-P.W.Board		C4261	08-12461Z01	CAP,CER 104M-C80J-CP	
I.MX-P.W.Board		C4262	08S45232Y05	CAP,CER 102K-B1H -CP	
I.MX-P.W.Board		C4263	08S45232Y05	CAP,CER 102K-B1H -CP	
I.MX-P.W.Board		C4264	08-12461Z01	CAP,CER 104M-C80J-CP	
I.MX-P.W.Board		C4265	08-12461Z01	CAP,CER 104M-C80J-CP	
I.MX-P.W.Board		C4266	08S45232Y05	CAP,CER 102K-B1H -CP	
I.MX-P.W.Board		C4267	08S45232Y05	CAP,CER 102K-B1H -CP	
I.MX-P.W.Board		C4268	08-13830Z01	CAP,CER 476MX6S0G-CP	
I.MX-P.W.Board		C4269	08S45232Y17	CAP,CER 104K-B0J -CP	
I.MX-P.W.Board		C4270	08-13830Z01	CAP,CER 476MX6S0G-CP	
I.MX-P.W.Board		C4271	08S45232Y17	CAP,CER 104K-B0J -CP	
I.MX-P.W.Board		C4300	08S35349Y12	CAP,CER 105K-B0J -CP	
I.MX-P.W.Board		C4301	08S45232Y17	CAP,CER 104K-B0J -CP	
I.MX-P.W.Board		C4302	08S45232Y17	CAP,CER 104K-B0J -CP	
I.MX-P.W.Board		C4400	08S65668Y05	CAP,CER 224KX5R1A-CP	
I.MX-P.W.Board		C4401	08S65668Y05	CAP,CER 224KX5R1A-CP	
I.MX-P.W.Board		C4402	08S65668Y05	CAP,CER 224KX5R1A-CP	
I.MX-P.W.Board		C4403	08S45232Y17	CAP,CER 104K-B0J -CP	
I.MX-P.W.Board		C4404	08S35374W11	CAP,CER 475K-B0J -CP	

P.W.Board	MIS	MODEL	Ref.	Parts No.	Parts Name
I.MX-P.W.Board		C4500	08S65668Y05	CAP,CER 224KX5R1A-CP	
I.MX-P.W.Board		C4600	08S65668Y05	CAP,CER 224KX5R1A-CP	
I.MX-P.W.Board		C4601	08S45232Y17	CAP,CER 104K-B0J -CP	
I.MX-P.W.Board		C4602	08S45232Y17	CAP,CER 104K-B0J -CP	
I.MX-P.W.Board		C4603	08S65668Y07	CAP,CER 103KX5R1H-CP	
I.MX-P.W.Board		C4700	08S65668Y05	CAP,CER 224KX5R1A-CP	
I.MX-P.W.Board		C5000	08S35374W12	CAP,CER 106K-B0J -CP	
I.MX-P.W.Board		C5001	08S45232Y17	CAP,CER 104K-B0J -CP	
I.MX-P.W.Board		C5002	08S45232Y11	CAP,CER 103K-B1C -CP	
I.MX-P.W.Board		C5003	08S45232Y17	CAP,CER 104K-B0J -CP	
I.MX-P.W.Board		C5004	08S45232Y11	CAP,CER 103K-B1C -CP	
I.MX-P.W.Board		C5005	08S45232Y17	CAP,CER 104K-B0J -CP	
I.MX-P.W.Board		C5006	08S45232Y11	CAP,CER 103K-B1C -CP	
I.MX-P.W.Board		C5007	08S45232Y17	CAP,CER 104K-B0J -CP	
I.MX-P.W.Board		C5008	08S45232Y11	CAP,CER 103K-B1C -CP	
I.MX-P.W.Board		C5009	08S45232Y17	CAP,CER 104K-B0J -CP	
I.MX-P.W.Board		C5010	08S45232Y11	CAP,CER 103K-B1C -CP	
I.MX-P.W.Board		C5011	08S45232Y17	CAP,CER 104K-B0J -CP	
I.MX-P.W.Board		C5012	08S45232Y11	CAP,CER 103K-B1C -CP	
I.MX-P.W.Board		C5100	08S35374W12	CAP,CER 106K-B0J -CP	
I.MX-P.W.Board		C5101	08S35374W12	CAP,CER 106K-B0J -CP	
I.MX-P.W.Board		C5102	08S45232Y17	CAP,CER 104K-B0J -CP	
I.MX-P.W.Board		C5103	08S45232Y17	CAP,CER 104K-B0J -CP	
I.MX-P.W.Board		C5104	08S45232Y17	CAP,CER 104K-B0J -CP	
I.MX-P.W.Board		C5105	08S45232Y17	CAP,CER 104K-B0J -CP	

P.W.Board	MIS	MODEL	Ref.	Parts No.	Parts Name
I.MX-P.W.Board		C5106	08S35374W12	CAP,CER 106K-B0J -CP	
I.MX-P.W.Board		C5107	08S45232Y17	CAP,CER 104K-B0J -CP	
I.MX-P.W.Board		C5108	08S45232Y17	CAP,CER 104K-B0J -CP	
I.MX-P.W.Board		C5109	08S35374W12	CAP,CER 106K-B0J -CP	
I.MX-P.W.Board		C5110	08S45232Y17	CAP,CER 104K-B0J -CP	
I.MX-P.W.Board		C5111	08S45232Y17	CAP,CER 104K-B0J -CP	
I.MX-P.W.Board		C5112	08S45232Y17	CAP,CER 104K-B0J -CP	
I.MX-P.W.Board		C5113	08S35374W12	CAP,CER 106K-B0J -CP	
I.MX-P.W.Board		C5114	08S45232Y17	CAP,CER 104K-B0J -CP	
I.MX-P.W.Board		C5115	08S45232Y05	CAP,CER 102K-B1H -CP	
I.MX-P.W.Board		C5116	08S45539Y01	CAP,CER 102KX7R2J-CP	
I.MX-P.W.Board		C5200	08S65670Y06	CAP,CER 226KX5R1A-CP	
I.MX-P.W.Board		C5201	08S45232Y17	CAP,CER 104K-B0J -CP	
I.MX-P.W.Board		C5202	08S45232Y17	CAP,CER 104K-B0J -CP	
I.MX-P.W.Board		C5203	08S45232Y11	CAP,CER 103K-B1C -CP	
I.MX-P.W.Board		C5204	08S45232Y17	CAP,CER 104K-B0J -CP	
I.MX-P.W.Board		C5205	08S45232Y11	CAP,CER 103K-B1C -CP	
I.MX-P.W.Board		C5206	08S45232Y17	CAP,CER 104K-B0J -CP	
I.MX-P.W.Board		C5207	08S45232Y11	CAP,CER 103K-B1C -CP	
I.MX-P.W.Board		C5208	08S45232Y17	CAP,CER 104K-B0J -CP	
I.MX-P.W.Board		C5209	08S45232Y11	CAP,CER 103K-B1C -CP	
I.MX-P.W.Board		C5210	08S45232Y17	CAP,CER 104K-B0J -CP	
I.MX-P.W.Board		C5211	08S45232Y11	CAP,CER 103K-B1C -CP	
I.MX-P.W.Board		C5212	08S45232Y17	CAP,CER 104K-B0J -CP	
I.MX-P.W.Board		C5213	08S45232Y11	CAP,CER 103K-B1C -CP	

P.W.Board	MIS	MODEL	Ref.	Parts No.	Parts Name
I.MX-P.W.Board		C5214	08S45232Y17	CAP,CER 104K-B0J -CP	
I.MX-P.W.Board		C5215	08S45232Y11	CAP,CER 103K-B1C -CP	
I.MX-P.W.Board		C5216	08S45232Y17	CAP,CER 104K-B0J -CP	
I.MX-P.W.Board		C5217	08S45232Y11	CAP,CER 103K-B1C -CP	
I.MX-P.W.Board		C5218	08S35374W10	CAP,CER 225K-B1A -CP	
I.MX-P.W.Board		C5219	08S45232Y17	CAP,CER 104K-B0J -CP	
I.MX-P.W.Board		C5220	08S45232Y17	CAP,CER 104K-B0J -CP	
I.MX-P.W.Board		C5221	08S45232Y11	CAP,CER 103K-B1C -CP	
I.MX-P.W.Board		C5222	08S45232Y17	CAP,CER 104K-B0J -CP	
I.MX-P.W.Board		C5223	08S45232Y11	CAP,CER 103K-B1C -CP	
I.MX-P.W.Board		C5224	08-26091Z01	CAP,CER 102KX7R2J-CP	
I.MX-P.W.Board		C5225	08S65669Y03	CAP,CER 224KX7R1H-CP	
I.MX-P.W.Board		C5226	08-26091Z01	CAP,CER 102KX7R2J-CP	
I.MX-P.W.Board		C5227	08S45231Y15	CAP,CER 15RJ-CH1H-CP	
I.MX-P.W.Board		C5228	08S45231Y15	CAP,CER 15RJ-CH1H-CP	
I.MX-P.W.Board		C5300	08S35374W12	CAP,CER 106K-B0J -CP	
I.MX-P.W.Board		C5301	08S35349Y12	CAP,CER 105K-B0J -CP	
I.MX-P.W.Board		C5302	08S45232Y17	CAP,CER 104K-B0J -CP	
I.MX-P.W.Board		C5303	08S35349Y12	CAP,CER 105K-B0J -CP	
I.MX-P.W.Board		C5304	08S45232Y17	CAP,CER 104K-B0J -CP	
I.MX-P.W.Board		C5305	08S35349Y12	CAP,CER 105K-B0J -CP	
I.MX-P.W.Board		C5306	08S45232Y17	CAP,CER 104K-B0J -CP	
I.MX-P.W.Board		C5307	08S45232Y11	CAP,CER 103K-B1C -CP	
I.MX-P.W.Board		C5308	08S45232Y05	CAP,CER 102K-B1H -CP	
I.MX-P.W.Board		C5309	08S45232Y11	CAP,CER 103K-B1C -CP	

P.W.Board	MIS	MODEL	Ref.	Parts No.	Parts Name
I.MX-P.W.Board		C5310	08S45232Y05	CAP,CER 102K-B1H -CP	
I.MX-P.W.Board		C5311	08S35374W12	CAP,CER 106K-B0J -CP	
I.MX-P.W.Board		C5312	08S35349Y12	CAP,CER 105K-B0J -CP	
I.MX-P.W.Board		C5313	08S45232Y17	CAP,CER 104K-B0J -CP	
I.MX-P.W.Board		C5314	08S35349Y12	CAP,CER 105K-B0J -CP	
I.MX-P.W.Board		C5315	08S45232Y17	CAP,CER 104K-B0J -CP	
I.MX-P.W.Board		C5316	08S35349Y12	CAP,CER 105K-B0J -CP	
I.MX-P.W.Board		C5317	08S45232Y17	CAP,CER 104K-B0J -CP	
I.MX-P.W.Board		C5318	08S45232Y17	CAP,CER 104K-B0J -CP	
I.MX-P.W.Board		C5319	08S45232Y17	CAP,CER 104K-B0J -CP	
I.MX-P.W.Board		C5320	08S35349Y16	CAP,CER 105K-B1A -CP	
I.MX-P.W.Board		C5321	08S35349Y16	CAP,CER 105K-B1A -CP	
I.MX-P.W.Board		C5322	08S45232Y17	CAP,CER 104K-B0J -CP	
I.MX-P.W.Board		C5323	08S45232Y17	CAP,CER 104K-B0J -CP	
I.MX-P.W.Board		C5324	08S45232Y17	CAP,CER 104K-B0J -CP	
I.MX-P.W.Board		C5325	08S45232Y11	CAP,CER 103K-B1C -CP	
I.MX-P.W.Board		C5326	08S45231Y11	CAP,CER 8R0D-CH1H-CP	
I.MX-P.W.Board		C5327	08S45231Y13	CAP,CER 10RD-CH1H-CP	
I.MX-P.W.Board		C5328	08S45231Y17	CAP,CER 22RJ-CH1H-CP	
I.MX-P.W.Board		C5500	08S65668Y05	CAP,CER 224KX5R1A-CP	
I.MX-P.W.Board		C5501	08S65668Y05	CAP,CER 224KX5R1A-CP	
I.MX-P.W.Board		C5502	08S65668Y05	CAP,CER 224KX5R1A-CP	
I.MX-P.W.Board		C5503	08S65668Y05	CAP,CER 224KX5R1A-CP	
I.MX-P.W.Board		C5504	08S65668Y05	CAP,CER 224KX5R1A-CP	
I.MX-P.W.Board		C5505	08S65668Y05	CAP,CER 224KX5R1A-CP	

P.W.Board	MIS	MODEL	Ref.	Parts No.	Parts Name
I.MX-P.W.Board		C5506	08S65668Y05	CAP,CER 224KX5R1A-CP	
I.MX-P.W.Board		C5509	08S45232Y17	CAP,CER 104K-B0J -CP	
I.MX-P.W.Board		C5510	08S35349Y12	CAP,CER 105K-B0J -CP	
I.MX-P.W.Board		C5511	08S45232Y17	CAP,CER 104K-B0J -CP	
I.MX-P.W.Board		C5512	08S35374W11	CAP,CER 475K-B0J -CP	
I.MX-P.W.Board		C5513	08S35374W11	CAP,CER 475K-B0J -CP	
I.MX-P.W.Board		C5514	08S35374W12	CAP,CER 106K-B0J -CP	
I.MX-P.W.Board		C5515	08S35349Y12	CAP,CER 105K-B0J -CP	
I.MX-P.W.Board		C5516	08S35374W12	CAP,CER 106K-B0J -CP	
I.MX-P.W.Board		C5517	08S35374W12	CAP,CER 106K-B0J -CP	
I.MX-P.W.Board		C5518	08S35349Y12	CAP,CER 105K-B0J -CP	
I.MX-P.W.Board		C5519	08S35374W12	CAP,CER 106K-B0J -CP	
I.MX-P.W.Board		C5600	08S45232Y17	CAP,CER 104K-B0J -CP	
I.MX-P.W.Board		C5601	08S65670Y06	CAP,CER 226KX5R1A-CP	
I.MX-P.W.Board		C5602	08S65670Y06	CAP,CER 226KX5R1A-CP	
I.MX-P.W.Board		C5603	08S35349Y16	CAP,CER 105K-B1A -CP	
I.MX-P.W.Board		C5604	08S35349Y16	CAP,CER 105K-B1A -CP	
I.MX-P.W.Board		C5605	08S35349Y16	CAP,CER 105K-B1A -CP	
I.MX-P.W.Board		C5606	08S35349Y16	CAP,CER 105K-B1A -CP	
I.MX-P.W.Board		C5607	08S45231Y25	CAP,CER 101J-CH1H-CP	
I.MX-P.W.Board		C5608	08S65670Y06	CAP,CER 226KX5R1A-CP	
I.MX-P.W.Board		C5609	08S65670Y06	CAP,CER 226KX5R1A-CP	
I.MX-P.W.Board		C5610	08S45676W93	CAP,CER 224K-B1A -CP	
I.MX-P.W.Board		C5611	08S45231Y25	CAP,CER 101J-CH1H-CP	
I.MX-P.W.Board		C5612	08S65670Y06	CAP,CER 226KX5R1A-CP	

P.W.Board	MIS	MODEL	Ref.	Parts No.	Parts Name
I.MX-P.W.Board		C5613	08S65670Y06	CAP,CER 226KX5R1A-CP	
I.MX-P.W.Board		C5614	08S45676W93	CAP,CER 224K-B1A -CP	
I.MX-P.W.Board		C5615	08S45231Y25	CAP,CER 101J-CH1H-CP	
I.MX-P.W.Board		C5616	08S65670Y06	CAP,CER 226KX5R1A-CP	
I.MX-P.W.Board		C5617	08S65670Y06	CAP,CER 226KX5R1A-CP	
I.MX-P.W.Board		C5618	08S45676W93	CAP,CER 224K-B1A -CP	
I.MX-P.W.Board		C5619	08S45231Y25	CAP,CER 101J-CH1H-CP	
I.MX-P.W.Board		C5620	08S65670Y06	CAP,CER 226KX5R1A-CP	
I.MX-P.W.Board		C5621	08S65670Y06	CAP,CER 226KX5R1A-CP	
I.MX-P.W.Board		C5622	08S45676W93	CAP,CER 224K-B1A -CP	
I.MX-P.W.Board		C5623	08S35349Y16	CAP,CER 105K-B1A -CP	
I.MX-P.W.Board		C5624	08S45676W93	CAP,CER 224K-B1A -CP	
I.MX-P.W.Board		C5625	08S35349Y16	CAP,CER 105K-B1A -CP	
I.MX-P.W.Board		C5626	08S35349Y16	CAP,CER 105K-B1A -CP	
I.MX-P.W.Board		C5627	08S45676W93	CAP,CER 224K-B1A -CP	
I.MX-P.W.Board		C5628	08S35349Y16	CAP,CER 105K-B1A -CP	
I.MX-P.W.Board		C5629	08S35349Y16	CAP,CER 105K-B1A -CP	
I.MX-P.W.Board		C5630	08S45676W93	CAP,CER 224K-B1A -CP	
I.MX-P.W.Board		C5631	08S35349Y16	CAP,CER 105K-B1A -CP	
I.MX-P.W.Board		C5632	08S35349Y16	CAP,CER 105K-B1A -CP	
I.MX-P.W.Board		C5633	08S45676W93	CAP,CER 224K-B1A -CP	
I.MX-P.W.Board		C5637	08-14627Z01	CAP,CER 107MX5R0J-CP	
I.MX-P.W.Board		C5638	08-14627Z01	CAP,CER 107MX5R0J-CP	
I.MX-P.W.Board		C5650	08S65671Y04	CAP,CER 106KX5R1H-CP	
I.MX-P.W.Board		C5651	08S45232Y08	CAP,CER 332K-B1H -CP	

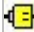


P.W.Board	MIS	MODEL	Ref.	Parts No.	Parts Name
I.MX-P.W.Board		C5652	08S45231Y33	CAP,CER 471J-CH1H-CP	
I.MX-P.W.Board		C5653	08S45231Y25	CAP,CER 101J-CH1H-CP	
I.MX-P.W.Board		C5655	08-14627Z01	CAP,CER 107MX5R0J-CP	
I.MX-P.W.Board		C5657	08S65669Y03	CAP,CER 224KX7R1H-CP	
I.MX-P.W.Board		C5659	08S65669Y03	CAP,CER 224KX7R1H-CP	
I.MX-P.W.Board		C5680	08S65669Y03	CAP,CER 224KX7R1H-CP	
I.MX-P.W.Board		C5702	08S35349Y16	CAP,CER 105K-B1A -CP	
I.MX-P.W.Board		C5703	08S65671Y04	CAP,CER 106KX5R1H-CP	
I.MX-P.W.Board		C5704	08S65671Y04	CAP,CER 106KX5R1H-CP	
I.MX-P.W.Board		C5705	08S65676Y09	CAP,CER 475KX7R1H-CP	
I.MX-P.W.Board		C5706	08S35349Y21	CAP,CER 104K-B1H -CP	
I.MX-P.W.Board		C5707	08S65670Y06	CAP,CER 226KX5R1A-CP	
I.MX-P.W.Board		C5708	08S65669Y03	CAP,CER 224KX7R1H-CP	
I.MX-P.W.Board		C5709	08S65676Y09	CAP,CER 475KX7R1H-CP	
I.MX-P.W.Board		C5710	08S35349Y16	CAP,CER 105K-B1A -CP	
I.MX-P.W.Board		C5711	08S45232Y05	CAP,CER 102K-B1H -CP	
I.MX-P.W.Board		C5712	08S45231Y13	CAP,CER 10RD-CH1H-CP	
I.MX-P.W.Board		C5713	08S45232Y05	CAP,CER 102K-B1H -CP	
I.MX-P.W.Board		C5715	08S45231Y40	CAP,CER 3R9C-CH1H-CP	
I.MX-P.W.Board		C5716	08S45231Y40	CAP,CER 3R9C-CH1H-CP	
I.MX-P.W.Board		C5800	08S65676Y09	CAP,CER 475KX7R1H-CP	
I.MX-P.W.Board		C5801	08S65669Y03	CAP,CER 224KX7R1H-CP	
I.MX-P.W.Board		C5802	08S65670Y01	CAP,CER 106KX5R1C-CP	
I.MX-P.W.Board		C5803	08S65669Y03	CAP,CER 224KX7R1H-CP	
I.MX-P.W.Board		C5804	08S65670Y01	CAP,CER 106KX5R1C-CP	

P.W.Board	MIS	MODEL	Ref.	Parts No.	Parts Name
I.MX-P.W.Board		C5805	08S65669Y03	CAP,CER 224KX7R1H-CP	
I.MX-P.W.Board		C5806	08S45676W73	CAP,CER.103K-B1H -CP	
I.MX-P.W.Board		C5807	08S45232Y11	CAP,CER 103K-B1C -CP	
I.MX-P.W.Board		C6004	08S65668Y07	CAP,CER 103KX5R1H-CP	
I.MX-P.W.Board		C6007	08-31895Z01	CAP,CER 226MX7S1C-CP	
I.MX-P.W.Board		C6008	08S65669Y03	CAP,CER 224KX7R1H-CP	
I.MX-P.W.Board		C6009	08S65676Y01	CAP,CER 335KX7R1A-CP	
I.MX-P.W.Board		C6014	08S65668Y05	CAP,CER 224KX5R1A-CP	
I.MX-P.W.Board		C6103	08S65668Y07	CAP,CER 103KX5R1H-CP	
I.MX-P.W.Board		C6104	08S65668Y07	CAP,CER 103KX5R1H-CP	
I.MX-P.W.Board		C6105	08S65668Y07	CAP,CER 103KX5R1H-CP	
I.MX-P.W.Board		C6106	08S45232Y21	CAP,CER 104K-B1A-CP	
I.MX-P.W.Board		C6107	08S65668Y07	CAP,CER 103KX5R1H-CP	
I.MX-P.W.Board		C6108	08S65668Y07	CAP,CER 103KX5R1H-CP	
I.MX-P.W.Board		C6109	08S65668Y07	CAP,CER 103KX5R1H-CP	
I.MX-P.W.Board		C6110	08S65668Y07	CAP,CER 103KX5R1H-CP	
I.MX-P.W.Board		C6111	08S65668Y07	CAP,CER 103KX5R1H-CP	
I.MX-P.W.Board		C6112	08S65668Y07	CAP,CER 103KX5R1H-CP	
I.MX-P.W.Board		C6300	08S65668Y07	CAP,CER 103KX5R1H-CP	
I.MX-P.W.Board		C6301	08S65668Y07	CAP,CER 103KX5R1H-CP	
I.MX-P.W.Board		C6302	08S65668Y07	CAP,CER 103KX5R1H-CP	
I.MX-P.W.Board		C6303	08S65669Y03	CAP,CER 224KX7R1H-CP	
I.MX-P.W.Board		C6310	08S65669Y03	CAP,CER 224KX7R1H-CP	
I.MX-P.W.Board		C6311	08S65669Y03	CAP,CER 224KX7R1H-CP	
I.MX-P.W.Board		C6313	08S65669Y03	CAP,CER 224KX7R1H-CP	

P.W.Board	MIS	MODEL	Ref.	Parts No.	Parts Name
I.MX-P.W.Board		C6314	08S65669Y03	CAP,CER 224KX7R1H-CP	
I.MX-P.W.Board		C6315	08S65669Y03	CAP,CER 224KX7R1H-CP	
I.MX-P.W.Board		C6320	08S45231Y38	CAP,CER 102J-CH1H-CP	
I.MX-P.W.Board		C6400	08S45676W83	CAP,CER 473K-B1C -CP	
I.MX-P.W.Board		C6401	08S65670Y04	CAP,CER 475KX5R1E-CP	
I.MX-P.W.Board		C6402	08S65670Y04	CAP,CER 475KX5R1E-CP	
I.MX-P.W.Board		C6403	08S65668Y05	CAP,CER 224KX5R1A-CP	
I.MX-P.W.Board		C6404	08S45676W83	CAP,CER 473K-B1C -CP	
I.MX-P.W.Board		C6405	08S65670Y04	CAP,CER 475KX5R1E-CP	
I.MX-P.W.Board		C6406	08S65670Y04	CAP,CER 475KX5R1E-CP	
I.MX-P.W.Board		C6407	08S65668Y05	CAP,CER 224KX5R1A-CP	
I.MX-P.W.Board		C6408	08S65669Y03	CAP,CER 224KX7R1H-CP	
I.MX-P.W.Board		C6409	08S45231Y31	CAP,CER 331J-CH1H-CP	
I.MX-P.W.Board		C6410	08S45231Y31	CAP,CER 331J-CH1H-CP	
I.MX-P.W.Board		C6411	08S45231Y25	CAP,CER 101J-CH1H-CP	
I.MX-P.W.Board		C6412	08S65668Y05	CAP,CER 224KX5R1A-CP	
I.MX-P.W.Board		C6413	08S65668Y05	CAP,CER 224KX5R1A-CP	
I.MX-P.W.Board		C6414	08S65676Y08	CAP,CER 106K-X7R1ACP	
I.MX-P.W.Board		C6415	08S65676Y08	CAP,CER 106K-X7R1ACP	
I.MX-P.W.Board		C6416	08S45676W73	CAP,CER.103K-B1H -CP	
I.MX-P.W.Board		C6417	08S65676Y08	CAP,CER 106K-X7R1ACP	
I.MX-P.W.Board		C6418	08S45231Y31	CAP,CER 331J-CH1H-CP	
I.MX-P.W.Board		C6419	08S45231Y25	CAP,CER 101J-CH1H-CP	
I.MX-P.W.Board		C6420	08S65676Y08	CAP,CER 106K-X7R1ACP	
I.MX-P.W.Board		C6421	08S65676Y08	CAP,CER 106K-X7R1ACP	

P.W.Board	MIS	MODEL	Ref.	Parts No.	Parts Name
I.MX-P.W.Board		C6422	08S45231Y25	CAP,CER 101J-CH1H-CP	
I.MX-P.W.Board		C6423	08-26091Z01	CAP,CER 102KX7R2J-CP	
I.MX-P.W.Board		C6424	08S65669Y05	CAP,CER 106KX7R0J-CP	
I.MX-P.W.Board		C6425	08S65668Y05	CAP,CER 224KX5R1A-CP	
I.MX-P.W.Board		C6426	08S65668Y05	CAP,CER 224KX5R1A-CP	
I.MX-P.W.Board		C6427	08S45231Y17	CAP,CER 22RJ-CH1H-CP	
I.MX-P.W.Board		C6428	08S35350Y03	CAP,CER 224K-B1C -CP	
I.MX-P.W.Board		C6429	08S45231Y17	CAP,CER 22RJ-CH1H-CP	
I.MX-P.W.Board		C6430	08S65669Y05	CAP,CER 106KX7R0J-CP	
I.MX-P.W.Board		C6431	08S65676Y08	CAP,CER 106K-X7R1ACP	
I.MX-P.W.Board		C6432	08S45231Y25	CAP,CER 101J-CH1H-CP	
I.MX-P.W.Board		C6433	08S45231Y25	CAP,CER 101J-CH1H-CP	
I.MX-P.W.Board		C6652	08S45232Y05	CAP,CER 102K-B1H -CP	
I.MX-P.W.Board		C6653	08S45232Y05	CAP,CER 102K-B1H -CP	
I.MX-P.W.Board		C6654	08S45232Y17	CAP,CER 104K-B0J -CP	
I.MX-P.W.Board		C6655	08S45232Y05	CAP,CER 102K-B1H -CP	
I.MX-P.W.Board		C6656	08S45232Y17	CAP,CER 104K-B0J -CP	
I.MX-P.W.Board		C6657	08S45232Y05	CAP,CER 102K-B1H -CP	
I.MX-P.W.Board		C6658	08S45232Y05	CAP,CER 102K-B1H -CP	
I.MX-P.W.Board		C6659	08S45232Y17	CAP,CER 104K-B0J -CP	
I.MX-P.W.Board		C6660	08S45232Y17	CAP,CER 104K-B0J -CP	
I.MX-P.W.Board		C6661	08S45232Y05	CAP,CER 102K-B1H -CP	
I.MX-P.W.Board		C6662	08S45232Y05	CAP,CER 102K-B1H -CP	
I.MX-P.W.Board		C6663	08S45232Y17	CAP,CER 104K-B0J -CP	
I.MX-P.W.Board		C6664	08S35374W12	CAP,CER 106K-B0J -CP	

P.W.Board	MIS	MODEL	Ref.	Parts No.	Parts Name
I.MX-P.W.Board		C6665	08S45232Y17	CAP,CER 104K-B0J -CP	
I.MX-P.W.Board		C6667	08S35374W12	CAP,CER 106K-B0J -CP	
I.MX-P.W.Board		C6669	08S35374W12	CAP,CER 106K-B0J -CP	
I.MX-P.W.Board		C6670	08S45232Y17	CAP,CER 104K-B0J -CP	
I.MX-P.W.Board		C6671	08S45232Y05	CAP,CER 102K-B1H -CP	
I.MX-P.W.Board		C6672	08S45232Y05	CAP,CER 102K-B1H -CP	
I.MX-P.W.Board		C6673	08S45232Y17	CAP,CER 104K-B0J -CP	
I.MX-P.W.Board		C6674	08S45232Y05	CAP,CER 102K-B1H -CP	
I.MX-P.W.Board		C6675	08S45232Y17	CAP,CER 104K-B0J -CP	
I.MX-P.W.Board		C6676	08S45232Y05	CAP,CER 102K-B1H -CP	
I.MX-P.W.Board		C6677	08S45232Y05	CAP,CER 102K-B1H -CP	
I.MX-P.W.Board		C6678	08S45232Y17	CAP,CER 104K-B0J -CP	
I.MX-P.W.Board		C6679	08S45232Y17	CAP,CER 104K-B0J -CP	
I.MX-P.W.Board		C6680	08S45232Y05	CAP,CER 102K-B1H -CP	
I.MX-P.W.Board		C6681	08S45232Y05	CAP,CER 102K-B1H -CP	
I.MX-P.W.Board		C6682	08S45232Y17	CAP,CER 104K-B0J -CP	
I.MX-P.W.Board		C6683	08S35374W12	CAP,CER 106K-B0J -CP	
I.MX-P.W.Board		C6684	08S45232Y17	CAP,CER 104K-B0J -CP	
I.MX-P.W.Board		C6685	08S35374W12	CAP,CER 106K-B0J -CP	
I.MX-P.W.Board		C6686	08S35374W12	CAP,CER 106K-B0J -CP	
I.MX-P.W.Board		C6687	08S35374W12	CAP,CER 106K-B0J -CP	
I.MX-P.W.Board		C6688	08S45232Y17	CAP,CER 104K-B0J -CP	
I.MX-P.W.Board		C6689	08S45232Y05	CAP,CER 102K-B1H -CP	
I.MX-P.W.Board		C6690	08S45232Y05	CAP,CER 102K-B1H -CP	
I.MX-P.W.Board		C6691	08S45232Y17	CAP,CER 104K-B0J -CP	

P.W.Board	MIS	MODEL	Ref.	Parts No.	Parts Name
I.MX-P.W.Board		C6692	08S35374W12	CAP,CER 106K-B0J -CP	
I.MX-P.W.Board		C6693	08S45232Y17	CAP,CER 104K-B0J -CP	
I.MX-P.W.Board		C6694	08S65668Y05	CAP,CER 224KX5R1A-CP	
I.MX-P.W.Board		C6695	08S65668Y05	CAP,CER 224KX5R1A-CP	
I.MX-P.W.Board		C6696	08S65668Y05	CAP,CER 224KX5R1A-CP	
I.MX-P.W.Board		C6697	08S65668Y05	CAP,CER 224KX5R1A-CP	
I.MX-P.W.Board		C6700	08S65676Y03	CAP,CER 225KX7R1C-CP	
I.MX-P.W.Board		C6701	08S65669Y03	CAP,CER 224KX7R1H-CP	
I.MX-P.W.Board		C6702	08S35374W10	CAP,CER 225K-B1A -CP	
I.MX-P.W.Board		CB4001	09-14451Z06	FFC,502790-3091 -ED	
I.MX-P.W.Board		CB5100	09-25213Z01	WTB,TCX3400-011187-T	
I.MX-P.W.Board		CB5200	09-25213Z01	WTB,TCX3400-011187-T	
I.MX-P.W.Board		CB6100	09-19907Z03	BTB,IMSA9984B-100YEZ	
I.MX-P.W.Board		CB6200	09-29915Z04	FFC,50FHH-SM1-GAN-EQ	
I.MX-P.W.Board		CB6300	09-29652Z01	BTB,FX23-100P-0.5S-T	
I.MX-P.W.Board		CB6400	09-25106Z05	WTB,S18B-PUDSS-1 -DB	
I.MX-P.W.Board		D4700	48-05965Z01	DIO,1SS361-L -CP	
I.MX-P.W.Board		D5101	48-08988Z01	VST,EZJZ0V800AA -CP	
I.MX-P.W.Board		D5102	48-08988Z01	VST,EZJZ0V800AA -CP	
I.MX-P.W.Board		D5104	48-08988Z01	VST,EZJZ0V800AA -CP	
I.MX-P.W.Board		D5204	48-05164Z01	DIO,1SS352-TPH3 -CP	
I.MX-P.W.Board		D6400	48-19711Z01	DIO,BAV99W -CP	
I.MX-P.W.Board		D6401	48T75527Y01	DIO,1SR154-400 -E1	
I.MX-P.W.Board		E4000	23-22657Z06	CAP,CX 221-0G -E2	
I.MX-P.W.Board		E4001	23-22657Z06	CAP,CX 221-0G -E2	

P.W.Board	MIS	MODEL	Ref.	Parts No.	Parts Name
I.MX-P.W.Board		E5700	23S75244Y19	CAP,ELY 101-1C -E6	
I.MX-P.W.Board		E5701	23-31100Z19	CAP,MAK 33R-1E -E6	
I.MX-P.W.Board		E6310	23-31100Z19	CAP,MAK 33R-1E -E6	
I.MX-P.W.Board		F6200	65-10745Z09	FUSE,TF16AT 2.00A-CP	
I.MX-P.W.Board		IC4000	51-29541Z01	MCIMX6D6AVT08AD -BT	
I.MX-P.W.Board		IC4200	51-34669Z01	H5TQ4G63EFR-RDC -BT	
I.MX-P.W.Board		IC4201	51-34669Z01	H5TQ4G63EFR-RDC -BT	
I.MX-P.W.Board		IC4202	51-34669Z01	H5TQ4G63EFR-RDC -BT	
I.MX-P.W.Board		IC4203	51-34669Z01	H5TQ4G63EFR-RDC -BT	
I.MX-P.W.Board		IC4300	83-35304Z26	17LIMO_US7_DA_RL00013A_iMX_NOR_IC4300	
I.MX-P.W.Board		IC4300	51-27465Z01	S29GL256S90TFI010-ST	
I.MX-P.W.Board		IC4400	83-35304Z13	17LIMO_US7_DA_RL00013A_iMX_EMMC_IC4400	
I.MX-P.W.Board		IC4400	51-34725Z02	H26M41208HPRN -BT	
I.MX-P.W.Board		IC4500	51-26850Z01	MFI337S3959 -CP	
I.MX-P.W.Board		IC4600	51T15185Y03	TC7SH08FU,LJ -CP	
I.MX-P.W.Board		IC4601	51T65003Y03	TC7SZ05FU,LJ -CP	
I.MX-P.W.Board		IC4602	51T65003Y03	TC7SZ05FU,LJ -CP	
I.MX-P.W.Board		IC4700	51T35220Y01	TC7WH126FU-TE12L-SE1	
I.MX-P.W.Board		IC4702	51T25238Y05	TC7SH32FU,LJ -CP	
I.MX-P.W.Board		IC5000	51-19098Z01	BU16002KVT-E2 -QEA	
I.MX-P.W.Board		IC5100	51-27798Z01	ADV7511WBSWZ-RL -QEA	
I.MX-P.W.Board		IC5200	51-29819Z01	ADV7480WBBCZ -BT	
I.MX-P.W.Board		IC5300	51-29818Z01	ML86V8201 -QT	
I.MX-P.W.Board		IC5500	51-29718Z01	UGKZ4D6009A -NE9	

P.W.Board	MIS	MODEL	Ref.	Parts No.	Parts Name
I.MX-P.W.Board		IC5501	51-13971Z01	TC74VCX08FT-EL -SE5	
I.MX-P.W.Board		IC5502	51-31856Z01	TC7WPB9306FK -CP	
I.MX-P.W.Board		IC5503	51-31856Z01	TC7WPB9306FK -CP	
I.MX-P.W.Board		IC5504	51-31856Z01	TC7WPB9306FK -CP	
I.MX-P.W.Board		IC5600	51-29896Z01	LTC3676HUJ#TRA1 -LE6	
I.MX-P.W.Board		IC5650	51-28779Z02	BD90640EFJ-CE2 -SE2	
I.MX-P.W.Board		IC5700	51-32064Z01	MAX16987RATI/V+ -LE2	
I.MX-P.W.Board		IC5800	51-28614Z01	BD00FC0EEFJ-ME2 -SE2	
I.MX-P.W.Board		IC5801	51-28341Z01	S-1323B52-N4BB30 -CP	
I.MX-P.W.Board		IC6001	51-23593Z02	BD00IC0WEFJ-ME2 -SE2	
I.MX-P.W.Board		IC6400	51-12745Z01	BH7073G-TR -CP	
I.MX-P.W.Board		IC6401	51-12745Z01	BH7073G-TR -CP	
I.MX-P.W.Board		IC6402	51T15192Y03	74VHC14FT-EL -SE2	
I.MX-P.W.Board		IC6403	51T25183Y04	TC7SET08FU,LJ -CP	
I.MX-P.W.Board		IC6404	51T15185Y03	TC7SH08FU,LJ -CP	
I.MX-P.W.Board		IC6405	51-31236Z01	ML22331 -ST	
I.MX-P.W.Board		IC6651	51-35042Z01	MAX9288GTM/V+ -LE6	
I.MX-P.W.Board		IC6652	51-35038Z01	MAX9275GTN/V+ -LE6	
I.MX-P.W.Board		IC6653	51-23593Z02	BD00IC0WEFJ-ME2 -SE2	
I.MX-P.W.Board		L5100	24-22766Z02	IND,LBC3225 10RM -CP	
I.MX-P.W.Board		L5101	24-22766Z02	IND,LBC3225 10RM -CP	
I.MX-P.W.Board		L5102	24-22766Z02	IND,LBC3225 10RM -CP	
I.MX-P.W.Board		L5103	24-22766Z02	IND,LBC3225 10RM -CP	
I.MX-P.W.Board		L5200	24-06212Z07	FBI,BLM15BD601SH1-CP	
I.MX-P.W.Board		L5300	24-06212Z09	FBI,BLM15BB470SH1-CP	

P.W.Board	MIS	MODEL	Ref.	Parts No.	Parts Name
I.MX-P.W.Board		L5502	24-22766Z01	IND,LBC3225 2R2M -CP	
I.MX-P.W.Board		L5503	24-22766Z03	IND,LBC3225 1R0M -CP	
I.MX-P.W.Board		L5504	24T25164Y09	IND,FSLM2520 R47J-CP	
I.MX-P.W.Board		L5600	24-22372Z05	IND,NRS6045T 2R3N-E2	
I.MX-P.W.Board		L5601	24-22372Z05	IND,NRS6045T 2R3N-E2	
I.MX-P.W.Board		L5602	24-22372Z05	IND,NRS6045T 2R3N-E2	
I.MX-P.W.Board		L5603	24-22372Z05	IND,NRS6045T 2R3N-E2	
I.MX-P.W.Board		L5650	24-22372Z05	IND,NRS6045T 2R3N-E2	
I.MX-P.W.Board		L5651	24-08610Z03	IND,DS106C2 10RM -EA	
I.MX-P.W.Board		L5700	24-23871Z01	IND,NRS8040T 10RM-E6	
I.MX-P.W.Board		L5701	24T95458W06	FBI,BLM31PG121SH1-CP	
I.MX-P.W.Board		L5704	24T75143Y13	IND,HK1005 R01J -CP	
I.MX-P.W.Board		L5705	24T75143Y13	IND,HK1005 R01J -CP	
I.MX-P.W.Board		L5723	24T75143Y14	IND,HK1005 R012J -CP	
I.MX-P.W.Board		L5725	24T75143Y14	IND,HK1005 R012J -CP	
I.MX-P.W.Board		L6400	24T65067Y02	FBI,MMZ1005S601AT-CP	
I.MX-P.W.Board		L6401	24T65067Y02	FBI,MMZ1005S601AT-CP	
I.MX-P.W.Board		PS6400	48-27319Z01	POLY,SW1812L150/24E2	
I.MX-P.W.Board		Q4000	48-18270Z01	TR,LSA1576UB FS8 -CP	
I.MX-P.W.Board		Q4001	48-13000Z05	TR,LTC124EUBFS8-TLCP	
I.MX-P.W.Board		Q4700	48-12999Z01	TR,LTA114EUBFS8-TLCP	
I.MX-P.W.Board		Q5200	48T25737Y02	TR,UMD3N-TR -CP	
I.MX-P.W.Board		Q5800	48T25737Y02	TR,UMD3N-TR -CP	
I.MX-P.W.Board		Q6400	48T63417F03	TR,C2412K-BR-96 -CP	
I.MX-P.W.Board		R4000	06S15616Y36	RES,RK 225J 1/16 -CP	

P.W.Board	MIS	MODEL	Ref.	Parts No.	Parts Name
I.MX-P.W.Board		R4001	06S15616Y23	RES,RK JUMPER1/16-CP	
I.MX-P.W.Board		R4003	06S15616Y22	RES,RK 105J 1/16 -CP	
I.MX-P.W.Board		R4005	06S15615Y09	RES,RK 22RJ 1/16 -CP	
I.MX-P.W.Board		R4006	06S15615Y49	RES,RK 102J 1/16 -CP	
I.MX-P.W.Board		R4007	06S15615Y57	RES,RK 222J 1/16 -CP	
I.MX-P.W.Board		R4008	06S15615Y57	RES,RK 222J 1/16 -CP	
I.MX-P.W.Board		R4009	06S15615Y57	RES,RK 222J 1/16 -CP	
I.MX-P.W.Board		R4010	06S15615Y57	RES,RK 222J 1/16 -CP	
I.MX-P.W.Board		R4011	06S15616Y23	RES,RK JUMPER1/16-CP	
I.MX-P.W.Board		R4012	06S15615Y25	RES,RK 101J 1/16 -CP	
I.MX-P.W.Board		R4013	06S15615Y25	RES,RK 101J 1/16 -CP	
I.MX-P.W.Board		R4014	06S15615Y25	RES,RK 101J 1/16 -CP	
I.MX-P.W.Board		R4015	06S15615Y25	RES,RK 101J 1/16 -CP	
I.MX-P.W.Board		R4016	06S15615Y25	RES,RK 101J 1/16 -CP	
I.MX-P.W.Board		R4017	06S15615Y09	RES,RK 22RJ 1/16 -CP	
I.MX-P.W.Board		R4018	06S15615Y09	RES,RK 22RJ 1/16 -CP	
I.MX-P.W.Board		R4020	06S15615Y25	RES,RK 101J 1/16 -CP	
I.MX-P.W.Board		R4021	06S15616Y23	RES,RK JUMPER1/16-CP	
I.MX-P.W.Board		R4022	06S15616Y23	RES,RK JUMPER1/16-CP	
I.MX-P.W.Board		R4023	06S15615Y25	RES,RK 101J 1/16 -CP	
I.MX-P.W.Board		R4024	06S15615Y25	RES,RK 101J 1/16 -CP	
I.MX-P.W.Board		R4025	06S15615Y25	RES,RK 101J 1/16 -CP	
I.MX-P.W.Board		R4026	06S15615Y25	RES,RK 101J 1/16 -CP	
I.MX-P.W.Board		R4027	06S15615Y25	RES,RK 101J 1/16 -CP	
I.MX-P.W.Board		R4028	06S15615Y25	RES,RK 101J 1/16 -CP	

P.W.Board	MIS	MODEL	Ref.	Parts No.	Parts Name
I.MX-P.W.Board		R4030	06S15615Y25	RES,RK 101J 1/16 -CP	
I.MX-P.W.Board		R4031	06S15615Y25	RES,RK 101J 1/16 -CP	
I.MX-P.W.Board		R4032	06S15615Y25	RES,RK 101J 1/16 -CP	
I.MX-P.W.Board		R4033	06S15615Y09	RES,RK 22RJ 1/16 -CP	
I.MX-P.W.Board		R4034	06S15616Y23	RES,RK JUMPER1/16-CP	
I.MX-P.W.Board		R4035	06S15616Y23	RES,RK JUMPER1/16-CP	
I.MX-P.W.Board		R4036	06S15616Y23	RES,RK JUMPER1/16-CP	
I.MX-P.W.Board		R4037	06S15616Y23	RES,RK JUMPER1/16-CP	
I.MX-P.W.Board		R4038	06S15616Y23	RES,RK JUMPER1/16-CP	
I.MX-P.W.Board		R4044	06S15615Y25	RES,RK 101J 1/16 -CP	
I.MX-P.W.Board		R4045	06S15615Y25	RES,RK 101J 1/16 -CP	
I.MX-P.W.Board		R4046	06S15615Y25	RES,RK 101J 1/16 -CP	
I.MX-P.W.Board		R4047	06S15615Y25	RES,RK 101J 1/16 -CP	
I.MX-P.W.Board		R4048	06S15615Y25	RES,RK 101J 1/16 -CP	
I.MX-P.W.Board		R4049	06S15615Y25	RES,RK 101J 1/16 -CP	
I.MX-P.W.Board		R4050	06S15615Y57	RES,RK 222J 1/16 -CP	
I.MX-P.W.Board		R4051	06S15615Y57	RES,RK 222J 1/16 -CP	
I.MX-P.W.Board		R4052	06S15615Y21	RES,RK 68RJ 1/16 -CP	
I.MX-P.W.Board		R4053	06S15615Y25	RES,RK 101J 1/16 -CP	
I.MX-P.W.Board		R4054	06S15615Y25	RES,RK 101J 1/16 -CP	
I.MX-P.W.Board		R4055	06S15615Y25	RES,RK 101J 1/16 -CP	
I.MX-P.W.Board		R4056	06S65415Y85	RES,RK 241F 1/16 -CP	
I.MX-P.W.Board		R4058	06S15615Y73	RES,RK 103J 1/16 -CP	
I.MX-P.W.Board		R4059	06-02713Z04	RES,RK 102D 1/16 -CP	
I.MX-P.W.Board		R4060	06-02713Z04	RES,RK 102D 1/16 -CP	

P.W.Board	MIS	MODEL	Ref.	Parts No.	Parts Name
I.MX-P.W.Board		R4061	06S15615Y25	RES,RK 101J 1/16 -CP	
I.MX-P.W.Board		R4062	06S15615Y25	RES,RK 101J 1/16 -CP	
I.MX-P.W.Board		R4064	06S45675W43	RES,RK JUMPER1/10-CP	
I.MX-P.W.Board		R4065	06S15615Y25	RES,RK 101J 1/16 -CP	
I.MX-P.W.Board		R4066	06S15615Y49	RES,RK 102J 1/16 -CP	
I.MX-P.W.Board		R4068	06S15616Y23	RES,RK JUMPER1/16-CP	
I.MX-P.W.Board		R4069	06-25919Z07	RES,RK 243F 1/16 -CP	
I.MX-P.W.Board		R4070	06S65415Y55	RES,RK 334F 1/16 -CP	
I.MX-P.W.Board		R4071	06S65415Y34	RES,RK 562F 1/16 -CP	
I.MX-P.W.Board		R4073	06S45675W43	RES,RK JUMPER1/10-CP	
I.MX-P.W.Board		R4074	06S65415Y63	RES,RK 6041F 1/16-CP	
I.MX-P.W.Board		R4076	06S15615Y73	RES,RK 103J 1/16 -CP	
I.MX-P.W.Board		R4077	06S15615Y73	RES,RK 103J 1/16 -CP	
I.MX-P.W.Board		R4079	06S65415Y48	RES,RK 823F 1/16 -CP	
I.MX-P.W.Board		R4080	06S65415Y99	RES,RK 512F 1/16 -CP	
I.MX-P.W.Board		R4086	06S15615Y73	RES,RK 103J 1/16 -CP	
I.MX-P.W.Board		R4087	06S15615Y73	RES,RK 103J 1/16 -CP	
I.MX-P.W.Board		R4102	06S15615Y25	RES,RK 101J 1/16 -CP	
I.MX-P.W.Board		R4103	06S15615Y25	RES,RK 101J 1/16 -CP	
I.MX-P.W.Board		R4104	06S15615Y25	RES,RK 101J 1/16 -CP	
I.MX-P.W.Board		R4105	06S15615Y25	RES,RK 101J 1/16 -CP	
I.MX-P.W.Board		R4106	06S15615Y25	RES,RK 101J 1/16 -CP	
I.MX-P.W.Board		R4108	06S15616Y23	RES,RK JUMPER1/16-CP	
I.MX-P.W.Board		R4200	06S65415Y84	RES,RK 201F 1/16 -CP	
I.MX-P.W.Board		R4201	06S65415Y25	RES,RK 102F 1/16 -CP	

P.W.Board	MIS	MODEL	Ref.	Parts No.	Parts Name
I.MX-P.W.Board		R4202	06S65415Y25	RES,RK 102F 1/16 -CP	
I.MX-P.W.Board		R4203	06S65415Y25	RES,RK 102F 1/16 -CP	
I.MX-P.W.Board		R4204	06S65415Y25	RES,RK 102F 1/16 -CP	
I.MX-P.W.Board		R4205	06S65415Y85	RES,RK 241F 1/16 -CP	
I.MX-P.W.Board		R4206	06S65415Y84	RES,RK 201F 1/16 -CP	
I.MX-P.W.Board		R4207	06S65415Y25	RES,RK 102F 1/16 -CP	
I.MX-P.W.Board		R4208	06S65415Y25	RES,RK 102F 1/16 -CP	
I.MX-P.W.Board		R4209	06S65415Y25	RES,RK 102F 1/16 -CP	
I.MX-P.W.Board		R4210	06S65415Y25	RES,RK 102F 1/16 -CP	
I.MX-P.W.Board		R4211	06S65415Y85	RES,RK 241F 1/16 -CP	
I.MX-P.W.Board		R4212	06S65415Y84	RES,RK 201F 1/16 -CP	
I.MX-P.W.Board		R4213	06S65415Y25	RES,RK 102F 1/16 -CP	
I.MX-P.W.Board		R4214	06S65415Y25	RES,RK 102F 1/16 -CP	
I.MX-P.W.Board		R4215	06S65415Y25	RES,RK 102F 1/16 -CP	
I.MX-P.W.Board		R4216	06S65415Y25	RES,RK 102F 1/16 -CP	
I.MX-P.W.Board		R4217	06S65415Y85	RES,RK 241F 1/16 -CP	
I.MX-P.W.Board		R4218	06S65415Y84	RES,RK 201F 1/16 -CP	
I.MX-P.W.Board		R4219	06S65415Y25	RES,RK 102F 1/16 -CP	
I.MX-P.W.Board		R4220	06S65415Y25	RES,RK 102F 1/16 -CP	
I.MX-P.W.Board		R4221	06S65415Y25	RES,RK 102F 1/16 -CP	
I.MX-P.W.Board		R4222	06S65415Y25	RES,RK 102F 1/16 -CP	
I.MX-P.W.Board		R4223	06S65415Y85	RES,RK 241F 1/16 -CP	
I.MX-P.W.Board		R4300	06S15615Y73	RES,RK 103J 1/16 -CP	
I.MX-P.W.Board		R4303	06S15615Y73	RES,RK 103J 1/16 -CP	
I.MX-P.W.Board		R4304	06S15615Y73	RES,RK 103J 1/16 -CP	

P.W.Board	MIS	MODEL	Ref.	Parts No.	Parts Name
I.MX-P.W.Board		R4305	06S15615Y73	RES,RK 103J 1/16 -CP	
I.MX-P.W.Board		R4306	06S15615Y73	RES,RK 103J 1/16 -CP	
I.MX-P.W.Board		R4307	06S15615Y73	RES,RK 103J 1/16 -CP	
I.MX-P.W.Board		R4308	06S15615Y73	RES,RK 103J 1/16 -CP	
I.MX-P.W.Board		R4309	06S15615Y73	RES,RK 103J 1/16 -CP	
I.MX-P.W.Board		R4310	06S15615Y73	RES,RK 103J 1/16 -CP	
I.MX-P.W.Board		R4311	06S15615Y73	RES,RK 103J 1/16 -CP	
I.MX-P.W.Board		R4312	06S15615Y73	RES,RK 103J 1/16 -CP	
I.MX-P.W.Board		R4314	06S15615Y73	RES,RK 103J 1/16 -CP	
I.MX-P.W.Board		R4315	06S15615Y73	RES,RK 103J 1/16 -CP	
I.MX-P.W.Board		R4316	06S15615Y73	RES,RK 103J 1/16 -CP	
I.MX-P.W.Board		R4317	06S15615Y73	RES,RK 103J 1/16 -CP	
I.MX-P.W.Board		R4318	06S15615Y73	RES,RK 103J 1/16 -CP	
I.MX-P.W.Board		R4319	06S15615Y73	RES,RK 103J 1/16 -CP	
I.MX-P.W.Board		R4320	06S15615Y73	RES,RK 103J 1/16 -CP	
I.MX-P.W.Board		R4321	06S15615Y73	RES,RK 103J 1/16 -CP	
I.MX-P.W.Board		R4322	06S15615Y73	RES,RK 103J 1/16 -CP	
I.MX-P.W.Board		R4323	06S15615Y73	RES,RK 103J 1/16 -CP	
I.MX-P.W.Board		R4324	06S15615Y73	RES,RK 103J 1/16 -CP	
I.MX-P.W.Board		R4325	06S15615Y73	RES,RK 103J 1/16 -CP	
I.MX-P.W.Board		R4326	06S15615Y73	RES,RK 103J 1/16 -CP	
I.MX-P.W.Board		R4327	06S15615Y73	RES,RK 103J 1/16 -CP	
I.MX-P.W.Board		R4330	06S15615Y73	RES,RK 103J 1/16 -CP	
I.MX-P.W.Board		R4331	06S15615Y73	RES,RK 103J 1/16 -CP	
I.MX-P.W.Board		R4332	06S15615Y73	RES,RK 103J 1/16 -CP	

P.W.Board	MIS	MODEL	Ref.	Parts No.	Parts Name
I.MX-P.W.Board		R4336	06S15615Y73	RES,RK 103J 1/16 -CP	
I.MX-P.W.Board		R4337	06S45674W81	RES,RK 103J 1/10 -CP	
I.MX-P.W.Board		R4340	06S45674W81	RES,RK 103J 1/10 -CP	
I.MX-P.W.Board		R4341	06S45674W81	RES,RK 103J 1/10 -CP	
I.MX-P.W.Board		R4400	06S15615Y25	RES,RK 101J 1/16 -CP	
I.MX-P.W.Board		R4401	06S15615Y25	RES,RK 101J 1/16 -CP	
I.MX-P.W.Board		R4402	06S15615Y25	RES,RK 101J 1/16 -CP	
I.MX-P.W.Board		R4403	06S15615Y25	RES,RK 101J 1/16 -CP	
I.MX-P.W.Board		R4404	06S15615Y25	RES,RK 101J 1/16 -CP	
I.MX-P.W.Board		R4405	06S15615Y25	RES,RK 101J 1/16 -CP	
I.MX-P.W.Board		R4406	06S15615Y25	RES,RK 101J 1/16 -CP	
I.MX-P.W.Board		R4407	06S15615Y25	RES,RK 101J 1/16 -CP	
I.MX-P.W.Board		R4408	06S15615Y25	RES,RK 101J 1/16 -CP	
I.MX-P.W.Board		R4409	06S15615Y73	RES,RK 103J 1/16 -CP	
I.MX-P.W.Board		R4410	06S15615Y73	RES,RK 103J 1/16 -CP	
I.MX-P.W.Board		R4411	06S45675W43	RES,RK JUMPER1/10-CP	
I.MX-P.W.Board		R4500	06S15615Y25	RES,RK 101J 1/16 -CP	
I.MX-P.W.Board		R4501	06S15615Y73	RES,RK 103J 1/16 -CP	
I.MX-P.W.Board		R4601	06S15616Y23	RES,RK JUMPER1/16-CP	
I.MX-P.W.Board		R4602	06S15615Y73	RES,RK 103J 1/16 -CP	
I.MX-P.W.Board		R4603	06S15615Y73	RES,RK 103J 1/16 -CP	
I.MX-P.W.Board		R4604	06S15615Y09	RES,RK 22RJ 1/16 -CP	
I.MX-P.W.Board		R4700	06S15615Y73	RES,RK 103J 1/16 -CP	
I.MX-P.W.Board		R4701	06S15615Y73	RES,RK 103J 1/16 -CP	
I.MX-P.W.Board		R4702	06S65415Y41	RES,RK 223F 1/16 -CP	

P.W.Board	MIS	MODEL	Ref.	Parts No.	Parts Name
I.MX-P.W.Board		R4703	06S65415Y41	RES,RK 223F 1/16 -CP	
I.MX-P.W.Board		R4706	06S15616Y23	RES,RK JUMPER1/16-CP	
I.MX-P.W.Board		R4707	06S15616Y23	RES,RK JUMPER1/16-CP	
I.MX-P.W.Board		R5000	06S45675W43	RES,RK JUMPER1/10-CP	
I.MX-P.W.Board		R5001	06S15615Y25	RES,RK 101J 1/16 -CP	
I.MX-P.W.Board		R5002	06S15615Y25	RES,RK 101J 1/16 -CP	
I.MX-P.W.Board		R5003	06S15615Y25	RES,RK 101J 1/16 -CP	
I.MX-P.W.Board		R5004	06S15615Y25	RES,RK 101J 1/16 -CP	
I.MX-P.W.Board		R5005	06S15615Y25	RES,RK 101J 1/16 -CP	
I.MX-P.W.Board		R5006	06S15616Y23	RES,RK JUMPER1/16-CP	
I.MX-P.W.Board		R5007	06S15616Y23	RES,RK JUMPER1/16-CP	
I.MX-P.W.Board		R5008	06S15616Y23	RES,RK JUMPER1/16-CP	
I.MX-P.W.Board		R5009	06S15615Y21	RES,RK 68RJ 1/16 -CP	
I.MX-P.W.Board		R5100	06S15615Y81	RES,RK 223J 1/16 -CP	
I.MX-P.W.Board		R5101	06S15615Y81	RES,RK 223J 1/16 -CP	
I.MX-P.W.Board		R5102	06S15615Y73	RES,RK 103J 1/16 -CP	
I.MX-P.W.Board		R5103	06S15615Y81	RES,RK 223J 1/16 -CP	
I.MX-P.W.Board		R5104	06S65415Y87	RES,RK 431F 1/16 -CP	
I.MX-P.W.Board		R5105	06S65415Y87	RES,RK 431F 1/16 -CP	
I.MX-P.W.Board		R5106	06S65415Y06	RES,RK 27RF 1/16 -CP	
I.MX-P.W.Board		R5107	06S15615Y25	RES,RK 101J 1/16 -CP	
I.MX-P.W.Board		R5108	06S70072F59	RES,CP .182-J-1/4-CP	
I.MX-P.W.Board		R5109	06S70072F59	RES,CP .182-J-1/4-CP	
I.MX-P.W.Board		R5110	06S15616Y23	RES,RK JUMPER1/16-CP	
I.MX-P.W.Board		R5111	06S15616Y23	RES,RK JUMPER1/16-CP	

P.W.Board	MIS	MODEL	Ref.	Parts No.	Parts Name
I.MX-P.W.Board		R5112	06S15615Y57	RES,RK 222J 1/16 -CP	
I.MX-P.W.Board		R5115	06S15615Y73	RES,RK 103J 1/16 -CP	
I.MX-P.W.Board		R5116	06S70072F29	RES,CP .101-J-1/4-CP	
I.MX-P.W.Board		R5117	06S70072F29	RES,CP .101-J-1/4-CP	
I.MX-P.W.Board		R5119	06S70072F77	RES,CP .103-J-1/4-CP	
I.MX-P.W.Board		R5120	06S70072F29	RES,CP .101-J-1/4-CP	
I.MX-P.W.Board		R5122	06S15616Y23	RES,RK JUMPER1/16-CP	
I.MX-P.W.Board		R5200	06S45675W43	RES,RK JUMPER1/10-CP	
I.MX-P.W.Board		R5201	06S45675W43	RES,RK JUMPER1/10-CP	
I.MX-P.W.Board		R5202	06S45675W43	RES,RK JUMPER1/10-CP	
I.MX-P.W.Board		R5203	06S45675W43	RES,RK JUMPER1/10-CP	
I.MX-P.W.Board		R5204	06S45675W43	RES,RK JUMPER1/10-CP	
I.MX-P.W.Board		R5205	06S45675W43	RES,RK JUMPER1/10-CP	
I.MX-P.W.Board		R5206	06S70072F53	RES,CP .102-J-1/4-CP	
I.MX-P.W.Board		R5207	06S70072F29	RES,CP .101-J-1/4-CP	
I.MX-P.W.Board		R5208	06S70072F29	RES,CP .101-J-1/4-CP	
I.MX-P.W.Board		R5209	06S70072F29	RES,CP .101-J-1/4-CP	
I.MX-P.W.Board		R5210	06S15615Y89	RES,RK 473J 1/16 -CP	
I.MX-P.W.Board		R5212	06S45675W43	RES,RK JUMPER1/10-CP	
I.MX-P.W.Board		R5213	06S65415Y41	RES,RK 223F 1/16 -CP	
I.MX-P.W.Board		R5214	06S15615Y83	RES,RK 273J 1/16 -CP	
I.MX-P.W.Board		R5216	06S15615Y41	RES,RK 471J 1/16 -CP	
I.MX-P.W.Board		R5217	06S15615Y97	RES,RK 104J 1/16 -CP	
I.MX-P.W.Board		R5218	06S15615Y89	RES,RK 473J 1/16 -CP	
I.MX-P.W.Board		R5219	06S15615Y25	RES,RK 101J 1/16 -CP	

P.W.Board	MIS	MODEL	Ref.	Parts No.	Parts Name
I.MX-P.W.Board		R5220	06S15615Y25	RES,RK 101J 1/16 -CP	
I.MX-P.W.Board		R5221	06S15615Y25	RES,RK 101J 1/16 -CP	
I.MX-P.W.Board		R5222	06S15615Y25	RES,RK 101J 1/16 -CP	
I.MX-P.W.Board		R5223	06S15615Y25	RES,RK 101J 1/16 -CP	
I.MX-P.W.Board		R5224	06S15615Y25	RES,RK 101J 1/16 -CP	
I.MX-P.W.Board		R5225	06S15615Y25	RES,RK 101J 1/16 -CP	
I.MX-P.W.Board		R5226	06S15615Y25	RES,RK 101J 1/16 -CP	
I.MX-P.W.Board		R5227	06S65415Y33	RES,RK 472F 1/16 -CP	
I.MX-P.W.Board		R5228	06S65415Y33	RES,RK 472F 1/16 -CP	
I.MX-P.W.Board		R5230	06S15615Y73	RES,RK 103J 1/16 -CP	
I.MX-P.W.Board		R5232	06S15615Y73	RES,RK 103J 1/16 -CP	
I.MX-P.W.Board		R5233	06S15615Y25	RES,RK 101J 1/16 -CP	
I.MX-P.W.Board		R5234	06S15615Y25	RES,RK 101J 1/16 -CP	
I.MX-P.W.Board		R5235	06S15615Y25	RES,RK 101J 1/16 -CP	
I.MX-P.W.Board		R5236	06S15615Y25	RES,RK 101J 1/16 -CP	
I.MX-P.W.Board		R5237	06S15615Y13	RES,RK 33RJ 1/16 -CP	
I.MX-P.W.Board		R5248	06S65415Y33	RES,RK 472F 1/16 -CP	
I.MX-P.W.Board		R5300	06S45675W43	RES,RK JUMPER1/10-CP	
I.MX-P.W.Board		R5301	06S45675W43	RES,RK JUMPER1/10-CP	
I.MX-P.W.Board		R5302	06S45675W43	RES,RK JUMPER1/10-CP	
I.MX-P.W.Board		R5303	06S45675W43	RES,RK JUMPER1/10-CP	
I.MX-P.W.Board		R5304	06S45675W43	RES,RK JUMPER1/10-CP	
I.MX-P.W.Board		R5305	06S15615Y73	RES,RK 103J 1/16 -CP	
I.MX-P.W.Board		R5306	06S15615Y25	RES,RK 101J 1/16 -CP	
I.MX-P.W.Board		R5308	06S15615Y73	RES,RK 103J 1/16 -CP	

P.W.Board	MIS	MODEL	Ref.	Parts No.	Parts Name
I.MX-P.W.Board		R5310	06S15615Y73	RES,RK 103J 1/16 -CP	
I.MX-P.W.Board		R5312	06S15615Y73	RES,RK 103J 1/16 -CP	
I.MX-P.W.Board		R5313	06S15616Y22	RES,RK 105J 1/16 -CP	
I.MX-P.W.Board		R5314	06S15615Y49	RES,RK 102J 1/16 -CP	
I.MX-P.W.Board		R5315	06S15615Y13	RES,RK 33RJ 1/16 -CP	
I.MX-P.W.Board		R5325	06S15615Y13	RES,RK 33RJ 1/16 -CP	
I.MX-P.W.Board		R5326	06S15615Y13	RES,RK 33RJ 1/16 -CP	
I.MX-P.W.Board		R5327	06S15615Y13	RES,RK 33RJ 1/16 -CP	
I.MX-P.W.Board		R5328	06S15615Y13	RES,RK 33RJ 1/16 -CP	
I.MX-P.W.Board		R5329	06S15615Y13	RES,RK 33RJ 1/16 -CP	
I.MX-P.W.Board		R5330	06S15615Y13	RES,RK 33RJ 1/16 -CP	
I.MX-P.W.Board		R5331	06S15615Y13	RES,RK 33RJ 1/16 -CP	
I.MX-P.W.Board		R5332	06S15615Y13	RES,RK 33RJ 1/16 -CP	
I.MX-P.W.Board		R5333	06S15615Y13	RES,RK 33RJ 1/16 -CP	
I.MX-P.W.Board		R5334	06S15615Y13	RES,RK 33RJ 1/16 -CP	
I.MX-P.W.Board		R5335	06S15615Y13	RES,RK 33RJ 1/16 -CP	
I.MX-P.W.Board		R5336	06S15615Y13	RES,RK 33RJ 1/16 -CP	
I.MX-P.W.Board		R5337	06S15615Y13	RES,RK 33RJ 1/16 -CP	
I.MX-P.W.Board		R5338	06S15615Y13	RES,RK 33RJ 1/16 -CP	
I.MX-P.W.Board		R5339	06S15615Y13	RES,RK 33RJ 1/16 -CP	
I.MX-P.W.Board		R5340	06S15615Y13	RES,RK 33RJ 1/16 -CP	
I.MX-P.W.Board		R5341	06S15615Y13	RES,RK 33RJ 1/16 -CP	
I.MX-P.W.Board		R5342	06S15615Y13	RES,RK 33RJ 1/16 -CP	
I.MX-P.W.Board		R5343	06S15615Y13	RES,RK 33RJ 1/16 -CP	
I.MX-P.W.Board		R5348	06S15615Y13	RES,RK 33RJ 1/16 -CP	

P.W.Board	MIS	MODEL	Ref.	Parts No.	Parts Name
I.MX-P.W.Board		R5349	06S15615Y13	RES,RK 33RJ 1/16 -CP	
I.MX-P.W.Board		R5350	06S15615Y13	RES,RK 33RJ 1/16 -CP	
I.MX-P.W.Board		R5352	06S15615Y13	RES,RK 33RJ 1/16 -CP	
I.MX-P.W.Board		R5358	06S15615Y13	RES,RK 33RJ 1/16 -CP	
I.MX-P.W.Board		R5360	06S15615Y13	RES,RK 33RJ 1/16 -CP	
I.MX-P.W.Board		R5361	06S15615Y13	RES,RK 33RJ 1/16 -CP	
I.MX-P.W.Board		R5362	06S15615Y13	RES,RK 33RJ 1/16 -CP	
I.MX-P.W.Board		R5450	06S15616Y23	RES,RK JUMPER1/16-CP	
I.MX-P.W.Board		R5451	06S15616Y23	RES,RK JUMPER1/16-CP	
I.MX-P.W.Board		R5452	06S15616Y23	RES,RK JUMPER1/16-CP	
I.MX-P.W.Board		R5453	06S15616Y23	RES,RK JUMPER1/16-CP	
I.MX-P.W.Board		R5454	06S15616Y23	RES,RK JUMPER1/16-CP	
I.MX-P.W.Board		R5455	06S15616Y23	RES,RK JUMPER1/16-CP	
I.MX-P.W.Board		R5456	06S15616Y23	RES,RK JUMPER1/16-CP	
I.MX-P.W.Board		R5457	06S15616Y23	RES,RK JUMPER1/16-CP	
I.MX-P.W.Board		R5458	06S15616Y23	RES,RK JUMPER1/16-CP	
I.MX-P.W.Board		R5459	06S15616Y23	RES,RK JUMPER1/16-CP	
I.MX-P.W.Board		R5500	06S15615Y09	RES,RK 22RJ 1/16 -CP	
I.MX-P.W.Board		R5501	06S15615Y09	RES,RK 22RJ 1/16 -CP	
I.MX-P.W.Board		R5502	06S15615Y09	RES,RK 22RJ 1/16 -CP	
I.MX-P.W.Board		R5503	06S15615Y09	RES,RK 22RJ 1/16 -CP	
I.MX-P.W.Board		R5504	06S15615Y25	RES,RK 101J 1/16 -CP	
I.MX-P.W.Board		R5505	06S15615Y25	RES,RK 101J 1/16 -CP	
I.MX-P.W.Board		R5506	06S15615Y25	RES,RK 101J 1/16 -CP	
I.MX-P.W.Board		R5507	06S15615Y09	RES,RK 22RJ 1/16 -CP	

P.W.Board	MIS	MODEL	Ref.	Parts No.	Parts Name
I.MX-P.W.Board		R5508	06S15615Y09	RES,RK 22RJ 1/16 -CP	
I.MX-P.W.Board		R5509	06S15615Y09	RES,RK 22RJ 1/16 -CP	
I.MX-P.W.Board		R5510	06S15615Y09	RES,RK 22RJ 1/16 -CP	
I.MX-P.W.Board		R5511	06S15615Y09	RES,RK 22RJ 1/16 -CP	
I.MX-P.W.Board		R5512	06S15615Y09	RES,RK 22RJ 1/16 -CP	
I.MX-P.W.Board		R5513	06S15615Y25	RES,RK 101J 1/16 -CP	
I.MX-P.W.Board		R5514	06S15615Y09	RES,RK 22RJ 1/16 -CP	
I.MX-P.W.Board		R5520	06S45675W43	RES,RK JUMPER1/10-CP	
I.MX-P.W.Board		R5521	06S45675W43	RES,RK JUMPER1/10-CP	
I.MX-P.W.Board		R5522	06S15615Y09	RES,RK 22RJ 1/16 -CP	
I.MX-P.W.Board		R5523	06S15615Y09	RES,RK 22RJ 1/16 -CP	
I.MX-P.W.Board		R5524	06S15615Y09	RES,RK 22RJ 1/16 -CP	
I.MX-P.W.Board		R5525	06S15615Y09	RES,RK 22RJ 1/16 -CP	
I.MX-P.W.Board		R5526	06S15615Y09	RES,RK 22RJ 1/16 -CP	
I.MX-P.W.Board		R5527	06S15616Y23	RES,RK JUMPER1/16-CP	
I.MX-P.W.Board		R5528	06S15615Y65	RES,RK 472J 1/16 -CP	
I.MX-P.W.Board		R5529	06S15615Y49	RES,RK 102J 1/16 -CP	
I.MX-P.W.Board		R5530	06S15615Y49	RES,RK 102J 1/16 -CP	
I.MX-P.W.Board		R5531	06S15615Y49	RES,RK 102J 1/16 -CP	
I.MX-P.W.Board		R5532	06S15615Y65	RES,RK 472J 1/16 -CP	
I.MX-P.W.Board		R5533	06S15615Y49	RES,RK 102J 1/16 -CP	
I.MX-P.W.Board		R5534	06S15615Y49	RES,RK 102J 1/16 -CP	
I.MX-P.W.Board		R5535	06S15615Y65	RES,RK 472J 1/16 -CP	
I.MX-P.W.Board		R5536	06S15615Y49	RES,RK 102J 1/16 -CP	
I.MX-P.W.Board		R5537	06S15615Y49	RES,RK 102J 1/16 -CP	

P.W.Board	MIS	MODEL	Ref.	Parts No.	Parts Name
I.MX-P.W.Board		R5538	06S15615Y65	RES,RK 472J 1/16 -CP	
I.MX-P.W.Board		R5539	06S15615Y65	RES,RK 472J 1/16 -CP	
I.MX-P.W.Board		R5540	06S15615Y49	RES,RK 102J 1/16 -CP	
I.MX-P.W.Board		R5541	06S15615Y65	RES,RK 472J 1/16 -CP	
I.MX-P.W.Board		R5600	06S15615Y73	RES,RK 103J 1/16 -CP	
I.MX-P.W.Board		R5601	06S15615Y73	RES,RK 103J 1/16 -CP	
I.MX-P.W.Board		R5602	06S15615Y73	RES,RK 103J 1/16 -CP	
I.MX-P.W.Board		R5603	06S15615Y73	RES,RK 103J 1/16 -CP	
I.MX-P.W.Board		R5604	06S15615Y25	RES,RK 101J 1/16 -CP	
I.MX-P.W.Board		R5605	06S65415Y47	RES,RK 683F 1/16 -CP	
I.MX-P.W.Board		R5606	06S65415Y29	RES,RK 222F 1/16 -CP	
I.MX-P.W.Board		R5607	06S65415Y47	RES,RK 683F 1/16 -CP	
I.MX-P.W.Board		R5608	06S65415Y33	RES,RK 472F 1/16 -CP	
I.MX-P.W.Board		R5609	06S65415Y99	RES,RK 512F 1/16 -CP	
I.MX-P.W.Board		R5610	06-25919Z16	RES,RK 134F 1/16 -CP	
I.MX-P.W.Board		R5611	06S65415Y47	RES,RK 683F 1/16 -CP	
I.MX-P.W.Board		R5612	06S65415Y37	RES,RK 103F 1/16 -CP	
I.MX-P.W.Board		R5613	06S65415Y41	RES,RK 223F 1/16 -CP	
I.MX-P.W.Board		R5614	06S15615Y41	RES,RK 471J 1/16 -CP	
I.MX-P.W.Board		R5615	06S65415Y52	RES,RK 184F 1/16 -CP	
I.MX-P.W.Board		R5616	06S65415Y34	RES,RK 562F 1/16 -CP	
I.MX-P.W.Board		R5617	06S65415Y47	RES,RK 683F 1/16 -CP	
I.MX-P.W.Board		R5618	06S65415Y29	RES,RK 222F 1/16 -CP	
I.MX-P.W.Board		R5619	06S65415Y47	RES,RK 683F 1/16 -CP	
I.MX-P.W.Board		R5620	06S65415Y33	RES,RK 472F 1/16 -CP	

P.W.Board	MIS	MODEL	Ref.	Parts No.	Parts Name
I.MX-P.W.Board		R5621	06-25919Z22	RES,RK 434F 1/16 -CP	
I.MX-P.W.Board		R5622	06-25919Z13	RES,RK 753F 1/16 -CP	
I.MX-P.W.Board		R5623	06S65415Y47	RES,RK 683F 1/16 -CP	
I.MX-P.W.Board		R5624	06S65415Y33	RES,RK 472F 1/16 -CP	
I.MX-P.W.Board		R5625	06S65415Y47	RES,RK 683F 1/16 -CP	
I.MX-P.W.Board		R5627	06-25919Z17	RES,RK 164F 1/16 -CP	
I.MX-P.W.Board		R5628	06S65415Y99	RES,RK 512F 1/16 -CP	
I.MX-P.W.Board		R5629	06S65415Y41	RES,RK 223F 1/16 -CP	
I.MX-P.W.Board		R5630	06S65415Y37	RES,RK 103F 1/16 -CP	
I.MX-P.W.Board		R5631	06S65415Y37	RES,RK 103F 1/16 -CP	
I.MX-P.W.Board		R5632	06S15615Y41	RES,RK 471J 1/16 -CP	
I.MX-P.W.Board		R5633	06S65415Y47	RES,RK 683F 1/16 -CP	
I.MX-P.W.Board		R5634	06S65415Y30	RES,RK 272F 1/16 -CP	
I.MX-P.W.Board		R5635	06S65415Y41	RES,RK 223F 1/16 -CP	
I.MX-P.W.Board		R5636	06S15615Y41	RES,RK 471J 1/16 -CP	
I.MX-P.W.Board		R5637	06-25919Z12	RES,RK 623F 1/16 -CP	
I.MX-P.W.Board		R5638	06S65415Y66	RES,RK 622F 1/16 -CP	
I.MX-P.W.Board		R5639	06S65415Y47	RES,RK 683F 1/16 -CP	
I.MX-P.W.Board		R5640	06S15615Y41	RES,RK 471J 1/16 -CP	
I.MX-P.W.Board		R5641	06S65415Y35	RES,RK 682F 1/16 -CP	
I.MX-P.W.Board		R5642	06S65415Y44	RES,RK 393F 1/16 -CP	
I.MX-P.W.Board		R5643	06-25919Z18	RES,RK 204F 1/16 -CP	
I.MX-P.W.Board		R5644	06-25919Z13	RES,RK 753F 1/16 -CP	
I.MX-P.W.Board		R5645	06S15615Y41	RES,RK 471J 1/16 -CP	
I.MX-P.W.Board		R5646	06S15615Y41	RES,RK 471J 1/16 -CP	

P.W.Board	MIS	MODEL	Ref.	Parts No.	Parts Name
I.MX-P.W.Board		R5647	06S15615Y41	RES,RK 471J 1/16 -CP	
I.MX-P.W.Board		R5648	06S15616Y23	RES,RK JUMPER1/16-CP	
I.MX-P.W.Board		R5650	06S15615Y25	RES,RK 101J 1/16 -CP	
I.MX-P.W.Board		R5651	06S15615Y67	RES,RK 562J 1/16 -CP	
I.MX-P.W.Board		R5652	06S65415Y31	RES,RK 332F 1/16 -CP	
I.MX-P.W.Board		R5653	06S65415Y26	RES,RK 122F 1/16 -CP	
I.MX-P.W.Board		R5654	06S65415Y38	RES,RK 123F 1/16 -CP	
I.MX-P.W.Board		R5655	06S65415Y42	RES,RK 273F 1/16 -CP	
I.MX-P.W.Board		R5657	06S15616Y23	RES,RK JUMPER1/16-CP	
I.MX-P.W.Board		R5658	06S65415Y46	RES,RK 563F 1/16 -CP	
I.MX-P.W.Board		R5659	06S65415Y34	RES,RK 562F 1/16 -CP	
I.MX-P.W.Board		R5680	06S15615Y49	RES,RK 102J 1/16 -CP	
I.MX-P.W.Board		R5700	06S15615Y73	RES,RK 103J 1/16 -CP	
I.MX-P.W.Board		R5701	06S15616Y23	RES,RK JUMPER1/16-CP	
I.MX-P.W.Board		R5702	06S15616Y23	RES,RK JUMPER1/16-CP	
I.MX-P.W.Board		R5704	06S15615Y73	RES,RK 103J 1/16 -CP	
I.MX-P.W.Board		R5706	06S15615Y73	RES,RK 103J 1/16 -CP	
I.MX-P.W.Board		R5707	06S15615Y73	RES,RK 103J 1/16 -CP	
I.MX-P.W.Board		R5708	06S65415Y46	RES,RK 563F 1/16 -CP	
I.MX-P.W.Board		R5710	06S15616Y23	RES,RK JUMPER1/16-CP	
I.MX-P.W.Board		R5712	06S45675W43	RES,RK JUMPER1/10-CP	
I.MX-P.W.Board		R5713	06-12176Z01	RES,RK R10F 1/5 -CP	
I.MX-P.W.Board		R5714	06-12176Z01	RES,RK R10F 1/5 -CP	
I.MX-P.W.Board		R5715	06S65415Y30	RES,RK 272F 1/16 -CP	
I.MX-P.W.Board		R5716	06S65415Y17	RES,RK 221F 1/16 -CP	

P.W.Board	MIS	MODEL	Ref.	Parts No.	Parts Name
I.MX-P.W.Board		R5717	06S65415Y32	RES,RK 392F 1/16 -CP	
I.MX-P.W.Board		R5718	06S65415Y17	RES,RK 221F 1/16 -CP	
I.MX-P.W.Board		R5719	06S45675W43	RES,RK JUMPER1/10-CP	
I.MX-P.W.Board		R5721	06S15616Y23	RES,RK JUMPER1/16-CP	
I.MX-P.W.Board		R5722	06S15616Y23	RES,RK JUMPER1/16-CP	
I.MX-P.W.Board		R5798	06S15615Y73	RES,RK 103J 1/16 -CP	
I.MX-P.W.Board		R5800	06S65415Y43	RES,RK 333F 1/16 -CP	
I.MX-P.W.Board		R5801	06S65415Y39	RES,RK 153F 1/16 -CP	
I.MX-P.W.Board		R5802	06S65415Y35	RES,RK 682F 1/16 -CP	
I.MX-P.W.Board		R5803	06S15615Y73	RES,RK 103J 1/16 -CP	
I.MX-P.W.Board		R5804	06S15594Y12	RES,RK 394F 1/10 -CP	
I.MX-P.W.Board		R5805	06S15593Y92	RES,RK 623F 1/10 -CP	
I.MX-P.W.Board		R5806	06S45674W81	RES,RK 103J 1/10 -CP	
I.MX-P.W.Board		R5807	06S70072F77	RES,CP .103-J-1/4-CP	
I.MX-P.W.Board		R5808	06S15616Y23	RES,RK JUMPER1/16-CP	
I.MX-P.W.Board		R5809	06S15616Y23	RES,RK JUMPER1/16-CP	
I.MX-P.W.Board		R5810	06S15593Y67	RES,RK 562F 1/10 -CP	
I.MX-P.W.Board		R5811	06S15593Y99	RES,RK 124F 1/10 -CP	
I.MX-P.W.Board		R6000	06S15616Y23	RES,RK JUMPER1/16-CP	
I.MX-P.W.Board		R6008	06S15616Y23	RES,RK JUMPER1/16-CP	
I.MX-P.W.Board		R6012	06S65415Y38	RES,RK 123F 1/16 -CP	
I.MX-P.W.Board		R6013	06S65415Y30	RES,RK 272F 1/16 -CP	
I.MX-P.W.Board		R6014	06S65415Y33	RES,RK 472F 1/16 -CP	
I.MX-P.W.Board		R6015	06S15593Y93	RES,RK 683F 1/10 -CP	
I.MX-P.W.Board		R6016	06S15594Y08	RES,RK 274F 1/10 -CP	

P.W.Board	MIS	MODEL	Ref.	Parts No.	Parts Name
I.MX-P.W.Board		R6025	06S15616Y23	RES,RK JUMPER1/16-CP	
I.MX-P.W.Board		R6026	06S15616Y23	RES,RK JUMPER1/16-CP	
I.MX-P.W.Board		R6027	06S15616Y23	RES,RK JUMPER1/16-CP	
I.MX-P.W.Board		R6029	06S15616Y23	RES,RK JUMPER1/16-CP	
I.MX-P.W.Board		R6102	06S15615Y57	RES,RK 222J 1/16 -CP	
I.MX-P.W.Board		R6103	06S15615Y57	RES,RK 222J 1/16 -CP	
I.MX-P.W.Board		R6104	06S15615Y57	RES,RK 222J 1/16 -CP	
I.MX-P.W.Board		R6112	06S15616Y23	RES,RK JUMPER1/16-CP	
I.MX-P.W.Board		R6113	06S15616Y23	RES,RK JUMPER1/16-CP	
I.MX-P.W.Board		R6114	06S15616Y23	RES,RK JUMPER1/16-CP	
I.MX-P.W.Board		R6115	06S15615Y25	RES,RK 101J 1/16 -CP	
I.MX-P.W.Board		R6116	06S15616Y23	RES,RK JUMPER1/16-CP	
I.MX-P.W.Board		R6119	06S15616Y23	RES,RK JUMPER1/16-CP	
I.MX-P.W.Board		R6120	06S15616Y23	RES,RK JUMPER1/16-CP	
I.MX-P.W.Board		R6123	06S15615Y57	RES,RK 222J 1/16 -CP	
I.MX-P.W.Board		R6225	06S15615Y73	RES,RK 103J 1/16 -CP	
I.MX-P.W.Board		R6226	06S15615Y25	RES,RK 101J 1/16 -CP	
I.MX-P.W.Board		R6303	06S15615Y65	RES,RK 472J 1/16 -CP	
I.MX-P.W.Board		R6304	06S15615Y09	RES,RK 22RJ 1/16 -CP	
I.MX-P.W.Board		R6305	06S15615Y09	RES,RK 22RJ 1/16 -CP	
I.MX-P.W.Board		R6307	06S15616Y23	RES,RK JUMPER1/16-CP	
I.MX-P.W.Board		R6308	06S15616Y23	RES,RK JUMPER1/16-CP	
I.MX-P.W.Board		R6309	06S15615Y09	RES,RK 22RJ 1/16 -CP	
I.MX-P.W.Board		R6310	06S15616Y23	RES,RK JUMPER1/16-CP	
I.MX-P.W.Board		R6311	06S15616Y23	RES,RK JUMPER1/16-CP	

P.W.Board	MIS	MODEL	Ref.	Parts No.	Parts Name
I.MX-P.W.Board		R6401	06S70072F41	RES,CP .331-J-1/4-CP	
I.MX-P.W.Board		R6402	06S35083Y86	RES,RK 75RF 1/4 -CP	
I.MX-P.W.Board		R6403	06S45674W57	RES,RK 102J 1/10 -CP	
I.MX-P.W.Board		R6404	06S45674W57	RES,RK 102J 1/10 -CP	
I.MX-P.W.Board		R6406	06S70072F41	RES,CP .331-J-1/4-CP	
I.MX-P.W.Board		R6407	06S35083Y86	RES,RK 75RF 1/4 -CP	
I.MX-P.W.Board		R6408	06S45674W57	RES,RK 102J 1/10 -CP	
I.MX-P.W.Board		R6409	06S45674W57	RES,RK 102J 1/10 -CP	
I.MX-P.W.Board		R6410	06S15615Y25	RES,RK 101J 1/16 -CP	
I.MX-P.W.Board		R6411	06S45674W81	RES,RK 103J 1/10 -CP	
I.MX-P.W.Board		R6412	06S45674W73	RES,RK 472J 1/10 -CP	
I.MX-P.W.Board		R6413	06S45674W93	RES,RK 333J 1/10 -CP	
I.MX-P.W.Board		R6414	06S15615Y09	RES,RK 22RJ 1/16 -CP	
I.MX-P.W.Board		R6415	06S15615Y81	RES,RK 223J 1/16 -CP	
I.MX-P.W.Board		R6416	06S15615Y73	RES,RK 103J 1/16 -CP	
I.MX-P.W.Board		R6418	06S70072F29	RES,CP .101-J-1/4-CP	
I.MX-P.W.Board		R6419	06S70072F69	RES,CP .472-J-1/4-CP	
I.MX-P.W.Board		R6420	06S45674W57	RES,RK 102J 1/10 -CP	
I.MX-P.W.Board		R6421	06S70072F53	RES,CP .102-J-1/4-CP	
I.MX-P.W.Board		R6422	06S70072F53	RES,CP .102-J-1/4-CP	
I.MX-P.W.Board		R6423	06S70072F29	RES,CP .101-J-1/4-CP	
I.MX-P.W.Board		R6424	06S70072F53	RES,CP .102-J-1/4-CP	
I.MX-P.W.Board		R6425	06S70072F53	RES,CP .102-J-1/4-CP	
I.MX-P.W.Board		R6426	06S70072F53	RES,CP .102-J-1/4-CP	
I.MX-P.W.Board		R6427	06S70072F53	RES,CP .102-J-1/4-CP	

P.W.Board	MIS	MODEL	Ref.	Parts No.	Parts Name
I.MX-P.W.Board		R6428	06S15615Y73	RES,RK 103J 1/16 -CP	
I.MX-P.W.Board		R6431	06S15616Y23	RES,RK JUMPER1/16-CP	
I.MX-P.W.Board		R6432	06S15615Y25	RES,RK 101J 1/16 -CP	
I.MX-P.W.Board		R6433	06S15615Y25	RES,RK 101J 1/16 -CP	
I.MX-P.W.Board		R6434	06S15616Y23	RES,RK JUMPER1/16-CP	
I.MX-P.W.Board		R6440	06S15615Y09	RES,RK 22RJ 1/16 -CP	
I.MX-P.W.Board		R6443	06S70072F29	RES,CP .101-J-1/4-CP	
I.MX-P.W.Board		R6444	06S70072F53	RES,CP .102-J-1/4-CP	
I.MX-P.W.Board		R6651	06S15616Y23	RES,RK JUMPER1/16-CP	
I.MX-P.W.Board		R6652	06S15616Y23	RES,RK JUMPER1/16-CP	
I.MX-P.W.Board		R6653	06S15616Y23	RES,RK JUMPER1/16-CP	
I.MX-P.W.Board		R6654	06S15616Y23	RES,RK JUMPER1/16-CP	
I.MX-P.W.Board		R6658	06S15615Y49	RES,RK 102J 1/16 -CP	
I.MX-P.W.Board		R6659	06S15615Y49	RES,RK 102J 1/16 -CP	
I.MX-P.W.Board		R6661	06S15615Y49	RES,RK 102J 1/16 -CP	
I.MX-P.W.Board		R6663	06S45675W43	RES,RK JUMPER1/10-CP	
I.MX-P.W.Board		R6664	06S45675W43	RES,RK JUMPER1/10-CP	
I.MX-P.W.Board		R6665	06S15615Y49	RES,RK 102J 1/16 -CP	
I.MX-P.W.Board		R6666	06S15615Y49	RES,RK 102J 1/16 -CP	
I.MX-P.W.Board		R6669	06S15615Y49	RES,RK 102J 1/16 -CP	
I.MX-P.W.Board		R6670	06S15615Y73	RES,RK 103J 1/16 -CP	
I.MX-P.W.Board		R6677	06S15615Y73	RES,RK 103J 1/16 -CP	
I.MX-P.W.Board		R6678	06S45675W43	RES,RK JUMPER1/10-CP	
I.MX-P.W.Board		R6679	06S45675W43	RES,RK JUMPER1/10-CP	
I.MX-P.W.Board		R6680	06S45675W43	RES,RK JUMPER1/10-CP	

P.W.Board	MIS	MODEL	Ref.	Parts No.	Parts Name
I.MX-P.W.Board		R6681	06S45675W43	RES,RK JUMPER1/10-CP	
I.MX-P.W.Board		R6684	06S15615Y49	RES,RK 102J 1/16 -CP	
I.MX-P.W.Board		R6694	06S15615Y73	RES,RK 103J 1/16 -CP	
I.MX-P.W.Board		R6695	06S15615Y73	RES,RK 103J 1/16 -CP	
I.MX-P.W.Board		R6696	06S15615Y49	RES,RK 102J 1/16 -CP	
I.MX-P.W.Board		R6697	06S15615Y73	RES,RK 103J 1/16 -CP	
I.MX-P.W.Board		R6698	06S15615Y73	RES,RK 103J 1/16 -CP	
I.MX-P.W.Board		R6699	06S15615Y73	RES,RK 103J 1/16 -CP	
I.MX-P.W.Board		R6704	06S15615Y73	RES,RK 103J 1/16 -CP	
I.MX-P.W.Board		R6706	06S15615Y25	RES,RK 101J 1/16 -CP	
I.MX-P.W.Board		R6707	06S15615Y25	RES,RK 101J 1/16 -CP	
I.MX-P.W.Board		R6709	06S45675W43	RES,RK JUMPER1/10-CP	
I.MX-P.W.Board		R6710	06S65415Y30	RES,RK 272F 1/16 -CP	
I.MX-P.W.Board		R6711	06S65415Y29	RES,RK 222F 1/16 -CP	
I.MX-P.W.Board		R6712	06S65415Y32	RES,RK 392F 1/16 -CP	
I.MX-P.W.Board		R6713	06S15593Y92	RES,RK 623F 1/10 -CP	
I.MX-P.W.Board		R6714	06S15616Y23	RES,RK JUMPER1/16-CP	
I.MX-P.W.Board		R6721	06S15615Y73	RES,RK 103J 1/16 -CP	
I.MX-P.W.Board		RA4000	06S15771Y13	RES,ARYEXB28V101J-CP	
I.MX-P.W.Board		RA4001	06S15771Y13	RES,ARYEXB28V101J-CP	
I.MX-P.W.Board		RA4002	06S15771Y13	RES,ARYEXB28V101J-CP	
I.MX-P.W.Board		RA4003	06S15771Y13	RES,ARYEXB28V101J-CP	
I.MX-P.W.Board		RA4004	06S15771Y13	RES,ARYEXB28V101J-CP	
I.MX-P.W.Board		RA4005	06S15771Y13	RES,ARYEXB28V101J-CP	
I.MX-P.W.Board		RA4006	06S15771Y13	RES,ARYEXB28V101J-CP	

P.W.Board	MIS	MODEL	Ref.	Parts No.	Parts Name
I.MX-P.W.Board		RA4007	06S15771Y13	RES,ARYEXB28V101J-CP	
I.MX-P.W.Board		RA4008	06S15771Y13	RES,ARYEXB28V101J-CP	
I.MX-P.W.Board		RA4009	06S15771Y13	RES,ARYEXB28V101J-CP	
I.MX-P.W.Board		SD5650	48-19296Z01	DIO,SHT RB056L-40-E1	
I.MX-P.W.Board		SD5700	48-19296Z01	DIO,SHT RB056L-40-E1	
I.MX-P.W.Board		SD5800	48-06526Z01	DIO,SHT RSX051VA30CP	
I.MX-P.W.Board		SK5700	09-34073Z01	SKT,48204-0001 -DB	
I.MX-P.W.Board		TML5400	29-22483Z02	OG-453065 -E5	
I.MX-P.W.Board		TML6300	29-22483Z02	OG-453065 -E5	
I.MX-P.W.Board		XL4000	91-26661Z36	XTL,NX3225SAAG24.0CP	
I.MX-P.W.Board		XL4001	91-26198Z03	XTL,NX3215 32.7NS-E1	
I.MX-P.W.Board		XL5200	91-26661Z32	XTL,NX3225SAAG28.6CP	
I.MX-P.W.Board		XL5300	91-26661Z24	XTL,NX3225SAAG25.0CP	
I.MX-P.W.Board		XL6401	91-16024Z01	XTL,AT-41CD2 3.98-E9	
I.MX-P.W.Board		ZD5100	48-28494Z01	DIO,ZEN ECMF04-4H-CP	
I.MX-P.W.Board		ZD5101	48-28494Z01	DIO,ZEN ECMF04-4H-CP	
I.MX-P.W.Board		ZD5200	48-28494Z01	DIO,ZEN ECMF04-4H-CP	
I.MX-P.W.Board		ZD5201	48-28494Z01	DIO,ZEN ECMF04-4H-CP	
I.MX-P.W.Board		ZD5202	48-16145Z20	DIO,ZEN PZU5.1B3 -CP	
I.MX-P.W.Board		ZD5203	48-25907Z01	DIO,ZEN PESD5V0F1-CP	
I.MX-P.W.Board		ZD5204	48-25907Z01	DIO,ZEN PESD5V0F1-CP	
I.MX-P.W.Board		ZD5205	48-25907Z01	DIO,ZEN PESD5V0F1-CP	
I.MX-P.W.Board		ZD5206	48-25907Z01	DIO,ZEN PESD5V0F1-CP	
I.MX-P.W.Board		ZD6402	48-16145Z22	DIO,ZEN PZU5.6B2 -CP	
I.MX-P.W.Board		ZD6403	48-16145Z22	DIO,ZEN PZU5.6B2 -CP	

P.W.Board	MIS	MODEL	Ref.	Parts No.	Parts Name
DISPLAY-P.W.Board		C7000	08S45232Y02		CAP,CER 331K-B1H -CP
DISPLAY-P.W.Board		C7001	08S65669Y03		CAP,CER 224KX7R1H-CP
DISPLAY-P.W.Board		C7003	08S35350Y04		CAP,CER 105K-B1C -CP
DISPLAY-P.W.Board		C7004	08S45232Y05		CAP,CER 102K-B1H -CP
DISPLAY-P.W.Board		C7005	08S65670Y08		CAP,CER 225KX5R1H-CP
DISPLAY-P.W.Board		C7006	08S65670Y07		CAP,CER 105KX5R1H-CP
DISPLAY-P.W.Board		C7008	08S45232Y08		CAP,CER 332K-B1H -CP
DISPLAY-P.W.Board		C7009	08S45232Y07		CAP,CER 222K-B1H -CP
DISPLAY-P.W.Board		C7010	08S45232Y07		CAP,CER 222K-B1H -CP
DISPLAY-P.W.Board		C7011	08S45232Y07		CAP,CER 222K-B1H -CP
DISPLAY-P.W.Board		C7012	08S45231Y25		CAP,CER 101J-CH1H-CP
DISPLAY-P.W.Board		C7013	08S65676Y09		CAP,CER 475KX7R1H-CP
DISPLAY-P.W.Board		C7014	08S65670Y07		CAP,CER 105KX5R1H-CP
DISPLAY-P.W.Board		C7015	08S65670Y07		CAP,CER 105KX5R1H-CP
DISPLAY-P.W.Board		C7016	08S45232Y05		CAP,CER 102K-B1H -CP

P.W.Board	MIS	MODEL	Ref.	Parts No.	Parts Name
DISPLAY-P.W.Board			C7017	08S45232Y13	CAP,CER 223K-B1C -CP
DISPLAY-P.W.Board			C7018	08S65670Y08	CAP,CER 225KX5R1H-CP
DISPLAY-P.W.Board			C7019	08S65669Y03	CAP,CER 224KX7R1H-CP
DISPLAY-P.W.Board			C7020	08S65669Y03	CAP,CER 224KX7R1H-CP
DISPLAY-P.W.Board			C7021	08S65669Y03	CAP,CER 224KX7R1H-CP
DISPLAY-P.W.Board			C7022	08-31895Z01	CAP,CER 226MX7S1C-CP
DISPLAY-P.W.Board			C7023	08S65669Y03	CAP,CER 224KX7R1H-CP
DISPLAY-P.W.Board			C7024	08S45676W73	CAP,CER.103K-B1H -CP
DISPLAY-P.W.Board			C7025	08S65669Y03	CAP,CER 224KX7R1H-CP
DISPLAY-P.W.Board			C7026	08S65670Y06	CAP,CER 226KX5R1A-CP
DISPLAY-P.W.Board			C7027	08S65669Y03	CAP,CER 224KX7R1H-CP
DISPLAY-P.W.Board			C7028	08S65669Y03	CAP,CER 224KX7R1H-CP
DISPLAY-P.W.Board			C7029	08-31895Z01	CAP,CER 226MX7S1C-CP
DISPLAY-P.W.Board			C7030	08S65670Y09	CAP,CER 106KX5R1E-CP
DISPLAY-P.W.Board			C7031	08S45231Y24	CAP,CER 82RJ-CH1H-CP

P.W.Board	MIS	MODEL	Ref.	Parts No.	Parts Name
DISPLAY-P.W.Board		C7032	08S65669Y03		CAP,CER 224KX7R1H-CP
DISPLAY-P.W.Board		C7033	08S45231Y32		CAP,CER 391J-CH1H-CP
DISPLAY-P.W.Board		C7034	08S65669Y03		CAP,CER 224KX7R1H-CP
DISPLAY-P.W.Board		C7035	08S65669Y03		CAP,CER 224KX7R1H-CP
DISPLAY-P.W.Board		C7036	08S35349Y21		CAP,CER 104K-B1H -CP
DISPLAY-P.W.Board		C7037	08S45676W83		CAP,CER 473K-B1C -CP
DISPLAY-P.W.Board		C7038	08S65669Y03		CAP,CER 224KX7R1H-CP
DISPLAY-P.W.Board		C7040	08S65670Y07		CAP,CER 105KX5R1H-CP
DISPLAY-P.W.Board		C7041	08S65670Y07		CAP,CER 105KX5R1H-CP
DISPLAY-P.W.Board		C7042	08S65670Y07		CAP,CER 105KX5R1H-CP
DISPLAY-P.W.Board		C7043	08S65669Y03		CAP,CER 224KX7R1H-CP
DISPLAY-P.W.Board		C7044	08S65670Y01		CAP,CER 106KX5R1C-CP
DISPLAY-P.W.Board		C7046	08S65669Y03		CAP,CER 224KX7R1H-CP
DISPLAY-P.W.Board		C7047	08S65670Y07		CAP,CER 105KX5R1H-CP
DISPLAY-P.W.Board		C7048	08S65670Y07		CAP,CER 105KX5R1H-CP

P.W.Board	MIS	MODEL	Ref.	Parts No.	Parts Name
DISPLAY-P.W.Board		C7049	08S65670Y06		CAP,CER 226KX5R1A-CP
DISPLAY-P.W.Board		C7050	08S45232Y08		CAP,CER 332K-B1H -CP
DISPLAY-P.W.Board		C7051	08S65669Y03		CAP,CER 224KX7R1H-CP
DISPLAY-P.W.Board		C7052	08S45232Y18		CAP,CER 392K-B1H -CP
DISPLAY-P.W.Board		C7053	08S45231Y25		CAP,CER 101J-CH1H-CP
DISPLAY-P.W.Board		C7055	08S65676Y09		CAP,CER 475KX7R1H-CP
DISPLAY-P.W.Board		C7057	08S65669Y03		CAP,CER 224KX7R1H-CP
DISPLAY-P.W.Board		C7058	08S65670Y01		CAP,CER 106KX5R1C-CP
DISPLAY-P.W.Board		C7060	08S65669Y03		CAP,CER 224KX7R1H-CP
DISPLAY-P.W.Board		C7061	08S65669Y03		CAP,CER 224KX7R1H-CP
DISPLAY-P.W.Board		C7062	08-31895Z01		CAP,CER 226MX7S1C-CP
DISPLAY-P.W.Board		C7064	08S65676Y01		CAP,CER 335KX7R1A-CP
DISPLAY-P.W.Board		C7065	08S65676Y02		CAP,CER 475KX7R1A-CP
DISPLAY-P.W.Board		C7066	08-31895Z01		CAP,CER 226MX7S1C-CP
DISPLAY-P.W.Board		C7069	08S65669Y03		CAP,CER 224KX7R1H-CP

P.W.Board	MIS	MODEL	Ref.	Parts No.	Parts Name
DISPLAY-P.W.Board		C7070	08S65669Y03	CAP,CER 224KX7R1H-CP	
DISPLAY-P.W.Board		C7071	08S65669Y03	CAP,CER 224KX7R1H-CP	
DISPLAY-P.W.Board		C7072	08S65669Y03	CAP,CER 224KX7R1H-CP	
DISPLAY-P.W.Board		C7073	08S65669Y03	CAP,CER 224KX7R1H-CP	
DISPLAY-P.W.Board		C7074	08S65669Y03	CAP,CER 224KX7R1H-CP	
DISPLAY-P.W.Board		C7075	08S65670Y01	CAP,CER 106KX5R1C-CP	
DISPLAY-P.W.Board		C7076	08-31895Z01	CAP,CER 226MX7S1C-CP	
DISPLAY-P.W.Board		C7080	08S65676Y09	CAP,CER 475KX7R1H-CP	
DISPLAY-P.W.Board		C7081	08S65676Y09	CAP,CER 475KX7R1H-CP	
DISPLAY-P.W.Board		C7082	08S65676Y09	CAP,CER 475KX7R1H-CP	
DISPLAY-P.W.Board		C7083	08S65676Y09	CAP,CER 475KX7R1H-CP	
DISPLAY-P.W.Board		C7201	08-15113Z01	CAP,CER 225KX7R1C-CP	
DISPLAY-P.W.Board		C7203	08S45232Y13	CAP,CER 223K-B1C -CP	
DISPLAY-P.W.Board		C7204	08S45231Y13	CAP,CER 10RD-CH1H-CP	
DISPLAY-P.W.Board		C7205	08S45231Y25	CAP,CER 101J-CH1H-CP	

P.W.Board	MIS	MODEL	Ref.	Parts No.	Parts Name
DISPLAY-P.W.Board		C7206	08S45232Y21		CAP,CER 104K-B1A-CP
DISPLAY-P.W.Board		C7207	08S35350Y04		CAP,CER 105K-B1C -CP
DISPLAY-P.W.Board		C7208	08S65669Y03		CAP,CER 224KX7R1H-CP
DISPLAY-P.W.Board		C7212	08S65669Y03		CAP,CER 224KX7R1H-CP
DISPLAY-P.W.Board		C7213	08S35350Y04		CAP,CER 105K-B1C -CP
DISPLAY-P.W.Board		C7215	08S45232Y17		CAP,CER 104K-B0J -CP
DISPLAY-P.W.Board		C7403	08S65668Y05		CAP,CER 224KX5R1A-CP
DISPLAY-P.W.Board		C7404	08S35374W12		CAP,CER 106K-B0J -CP
DISPLAY-P.W.Board		C7405	08S65668Y05		CAP,CER 224KX5R1A-CP
DISPLAY-P.W.Board		C7406	08S35374W12		CAP,CER 106K-B0J -CP
DISPLAY-P.W.Board		C7407	08S45232Y17		CAP,CER 104K-B0J -CP
DISPLAY-P.W.Board		C7408	08S45232Y17		CAP,CER 104K-B0J -CP
DISPLAY-P.W.Board		C7409	08S45232Y17		CAP,CER 104K-B0J -CP
DISPLAY-P.W.Board		C7410	08S45232Y17		CAP,CER 104K-B0J -CP
DISPLAY-P.W.Board		C7411	08S45232Y17		CAP,CER 104K-B0J -CP

P.W.Board	MIS	MODEL	Ref.	Parts No.	Parts Name
DISPLAY-P.W.Board			C7412	08S65668Y05	CAP,CER 224KX5R1A-CP
DISPLAY-P.W.Board			C7413	08S65668Y05	CAP,CER 224KX5R1A-CP
DISPLAY-P.W.Board			C7418	08S45231Y11	CAP,CER 8R0D-CH1H-CP
DISPLAY-P.W.Board			C7419	08S45231Y11	CAP,CER 8R0D-CH1H-CP
DISPLAY-P.W.Board			C7420	08S45232Y17	CAP,CER 104K-B0J -CP
DISPLAY-P.W.Board			C7421	08S45232Y17	CAP,CER 104K-B0J -CP
DISPLAY-P.W.Board			C7422	08S45232Y17	CAP,CER 104K-B0J -CP
DISPLAY-P.W.Board			C7423	08S45232Y17	CAP,CER 104K-B0J -CP
DISPLAY-P.W.Board			C7424	08S45232Y17	CAP,CER 104K-B0J -CP
DISPLAY-P.W.Board			C7434	08S35374W12	CAP,CER 106K-B0J -CP
DISPLAY-P.W.Board			C7435	08S35374W12	CAP,CER 106K-B0J -CP
DISPLAY-P.W.Board			C7481	08S45231Y23	CAP,CER 68RJ-CH1H-CP
DISPLAY-P.W.Board			C7486	08S45231Y23	CAP,CER 68RJ-CH1H-CP
DISPLAY-P.W.Board			C7490	08S65668Y05	CAP,CER 224KX5R1A-CP
DISPLAY-P.W.Board			C7500	08S65669Y03	CAP,CER 224KX7R1H-CP

P.W.Board	MIS	MODEL	Ref.	Parts No.	Parts Name
DISPLAY-P.W.Board		C7501	08S65669Y03	CAP,CER 224KX7R1H-CP	
DISPLAY-P.W.Board		C7502	08S65669Y03	CAP,CER 224KX7R1H-CP	
DISPLAY-P.W.Board		C7503	08S65669Y03	CAP,CER 224KX7R1H-CP	
DISPLAY-P.W.Board		C7505	08S45231Y38	CAP,CER 102J-CH1H-CP	
DISPLAY-P.W.Board		C7506	08S45231Y38	CAP,CER 102J-CH1H-CP	
DISPLAY-P.W.Board		C7508	08S45676W85	CAP,CER 104K-B1C -CP	
DISPLAY-P.W.Board		C7509	08S45676W85	CAP,CER 104K-B1C -CP	
DISPLAY-P.W.Board		C7510	08S45676W85	CAP,CER 104K-B1C -CP	
DISPLAY-P.W.Board		C7511	08S45676W85	CAP,CER 104K-B1C -CP	
DISPLAY-P.W.Board		C7512	08S45676W85	CAP,CER 104K-B1C -CP	
DISPLAY-P.W.Board		C7513	08S45676W85	CAP,CER 104K-B1C -CP	
DISPLAY-P.W.Board		C7514	08S45676W85	CAP,CER 104K-B1C -CP	
DISPLAY-P.W.Board		C7515	08S45676W85	CAP,CER 104K-B1C -CP	
DISPLAY-P.W.Board		C7516	08S45676W85	CAP,CER 104K-B1C -CP	
DISPLAY-P.W.Board		C7517	08S45676W85	CAP,CER 104K-B1C -CP	

P.W.Board	MIS	MODEL	Ref.	Parts No.	Parts Name
DISPLAY-P.W.Board			C7521	08S45232Y04	CAP,CER 681K-B1H -CP
DISPLAY-P.W.Board			C7522	08S45231Y17	CAP,CER 22RJ-CH1H-CP
DISPLAY-P.W.Board			C7523	08S45231Y17	CAP,CER 22RJ-CH1H-CP
DISPLAY-P.W.Board			C7524	08S45231Y17	CAP,CER 22RJ-CH1H-CP
DISPLAY-P.W.Board			C7525	08S45231Y17	CAP,CER 22RJ-CH1H-CP
DISPLAY-P.W.Board			C7526	08S45231Y17	CAP,CER 22RJ-CH1H-CP
DISPLAY-P.W.Board			C7527	08S45231Y17	CAP,CER 22RJ-CH1H-CP
DISPLAY-P.W.Board			C7528	08S45231Y17	CAP,CER 22RJ-CH1H-CP
DISPLAY-P.W.Board			C7529	08S45231Y17	CAP,CER 22RJ-CH1H-CP
DISPLAY-P.W.Board			C7530	08S45231Y17	CAP,CER 22RJ-CH1H-CP
DISPLAY-P.W.Board			C7531	08S45231Y17	CAP,CER 22RJ-CH1H-CP
DISPLAY-P.W.Board			C7532	08S45231Y17	CAP,CER 22RJ-CH1H-CP
DISPLAY-P.W.Board			C7533	08S45231Y17	CAP,CER 22RJ-CH1H-CP
DISPLAY-P.W.Board			C7534	08S45231Y17	CAP,CER 22RJ-CH1H-CP
DISPLAY-P.W.Board			C7535	08S45231Y17	CAP,CER 22RJ-CH1H-CP

P.W.Board	MIS	MODEL	Ref.	Parts No.	Parts Name
DISPLAY-P.W.Board			C7536	08S45231Y17	CAP,CER 22RJ-CH1H-CP
DISPLAY-P.W.Board			C7537	08S45231Y17	CAP,CER 22RJ-CH1H-CP
DISPLAY-P.W.Board			C7538	08S45231Y17	CAP,CER 22RJ-CH1H-CP
DISPLAY-P.W.Board			C7539	08S45231Y17	CAP,CER 22RJ-CH1H-CP
DISPLAY-P.W.Board			C7601	08S45676W85	CAP,CER 104K-B1C -CP
DISPLAY-P.W.Board			C7602	08S45676W85	CAP,CER 104K-B1C -CP
DISPLAY-P.W.Board			C7603	08S45676W85	CAP,CER 104K-B1C -CP
DISPLAY-P.W.Board			C7604	08S35374W12	CAP,CER 106K-B0J -CP
DISPLAY-P.W.Board			C7605	08S45676W85	CAP,CER 104K-B1C -CP
DISPLAY-P.W.Board			C7606	08S45676W85	CAP,CER 104K-B1C -CP
DISPLAY-P.W.Board			C7607	08S65667Y05	CAP,CER 105KX5R1A-CP
DISPLAY-P.W.Board			C7608	08S45676W85	CAP,CER 104K-B1C -CP
DISPLAY-P.W.Board			C7609	08S45676W85	CAP,CER 104K-B1C -CP
DISPLAY-P.W.Board			C7610	08S45676W85	CAP,CER 104K-B1C -CP
DISPLAY-P.W.Board			C7611	08S45676W85	CAP,CER 104K-B1C -CP

P.W.Board	MIS	MODEL	Ref.	Parts No.	Parts Name
DISPLAY-P.W.Board		C7612	08S45231Y20		CAP,CER 39RJ-CH1H-CP
DISPLAY-P.W.Board		C7613	08S45231Y20		CAP,CER 39RJ-CH1H-CP
DISPLAY-P.W.Board		C7614	08S45231Y20		CAP,CER 39RJ-CH1H-CP
DISPLAY-P.W.Board		C7615	08S45231Y20		CAP,CER 39RJ-CH1H-CP
DISPLAY-P.W.Board		C7616	08S45232Y11		CAP,CER 103K-B1C -CP
DISPLAY-P.W.Board		C7617	08S65667Y05		CAP,CER 105KX5R1A-CP
DISPLAY-P.W.Board		C7618	08S65667Y05		CAP,CER 105KX5R1A-CP
DISPLAY-P.W.Board		CB7000	09-05352Z05		FFC,52271-0869 -E9
DISPLAY-P.W.Board		CB7200	09-29915Z03		FFC,40FHH-SM1-GAN-EQ
DISPLAY-P.W.Board		CB7201	09-23546Z02		FFC,FH52-50S-0.5SHEQ
DISPLAY-P.W.Board		CB7500	09-16224Z03		FFC,FH28-60S-0.5SHEZ
DISPLAY-P.W.Board		CB7601	09-29915Z05		FFC,60FHH-SM1-GAN-EZ
DISPLAY-P.W.Board		CB7602	09-05384Z06		FFC,52745-1097 -E9
DISPLAY-P.W.Board		D7000	48-19711Z01		DIO,BAV99W -CP
DISPLAY-P.W.Board		E7000	23-31100Z18		CAP,MAK 22R-1E -E6

P.W.Board	MIS	MODEL	Ref.	Parts No.	Parts Name
DISPLAY-P.W.Board		E7001	23-31100Z19		CAP,MAK 33R-1E -E6
DISPLAY-P.W.Board		E7002	23-31100Z19		CAP,MAK 33R-1E -E6
DISPLAY-P.W.Board		E7003	23T75543Y07		CAP,MVA 47R-1CE55-E3
DISPLAY-P.W.Board		E7004	23-31100Z19		CAP,MAK 33R-1E -E6
DISPLAY-P.W.Board		E7006	23T75543Y13		CAP,MVA 22R-1EE55-E3
DISPLAY-P.W.Board		E7009	23-31100Z19		CAP,MAK 33R-1E -E6
DISPLAY-P.W.Board		E7011	23T75543Y08		CAP,MVA 101-1CF55-E6
DISPLAY-P.W.Board		E7013	23-31100Z19		CAP,MAK 33R-1E -E6
DISPLAY-P.W.Board		E7200	23-02558Z03		CAP,ZT 47R-0J -E3
DISPLAY-P.W.Board		E7210	23-31100Z18		CAP,MAK 22R-1E -E6
DISPLAY-P.W.Board		IC7000	51-25969Z01		MAX16813ATP/V+T -LE2
DISPLAY-P.W.Board		IC7001	51T65666Y03		NJM2880U1-05-TE1-NE2
DISPLAY-P.W.Board		IC7002	51-20182Z01		BU25TD3WG-TR -CP
DISPLAY-P.W.Board		IC7003	51-14365Z01		LT1946AEMS8E -SE2
DISPLAY-P.W.Board		IC7004	51-05314Z01		BA4560RFVM-TR -SE1

P.W.Board	MIS	MODEL	Ref.	Parts No.	Parts Name
DISPLAY-P.W.Board		IC7005	51-28614Z01	BD00FC0EEFJ-ME2 -SE2	
DISPLAY-P.W.Board		IC7006	51-28779Z01	BD90620EFJ-CE2 -SE2	
DISPLAY-P.W.Board		IC7007	51-23593Z01	BD00HC5WEFJ-ME2 -SE2	
DISPLAY-P.W.Board		IC7008	51T95150W01	NJM78M05DLA-TE1 -NE5	
DISPLAY-P.W.Board		IC7009	51-23593Z01	BD00HC5WEFJ-ME2 -SE2	
DISPLAY-P.W.Board		IC7200	51T15647Y01	NJM4558V-TE2 -SE2	
DISPLAY-P.W.Board		IC7201	51-19188Z01	NJU6062V-TE1 -SE2	
DISPLAY-P.W.Board		IC7400	51-29348Z01	TW8834AT-TA2-GR -QT	
DISPLAY-P.W.Board		IC7401	51T85276W03	TC7WH74FK,LJ(CB -CP	
DISPLAY-P.W.Board		IC7402	51T55336Y02	TC7SH04FU,JF-L -CP	
DISPLAY-P.W.Board		IC7410	51-01932Z02	TC7SZ08FU-TE85LJF-CP	
DISPLAY-P.W.Board		IC7601	83-32412Z76	17LIMO_Universal_7inch_TP	
DISPLAY-P.W.Board		IC7601	51-25191Z01	CY8CTMA616AA-12 -QT	
DISPLAY-P.W.Board		L7000	24-22372Z06	IND,NRS6045T 47RM-E2	
DISPLAY-P.W.Board		L7001	24-22372Z06	IND,NRS6045T 47RM-E2	

P.W.Board	MIS	MODEL	Ref.	Parts No.	Parts Name
DISPLAY-P.W.Board		L7003	24T95456W27	FBI,BLM18PG181SH1-CP	
DISPLAY-P.W.Board		L7004	24T45379Y07	IND,D53LC 15RM -E2	
DISPLAY-P.W.Board		L7005	24-22371Z01	IND,NRS4018T 2R2M-E2	
DISPLAY-P.W.Board		L7006	24-22372Z06	IND,NRS6045T 47RM-E2	
DISPLAY-P.W.Board		L7410	24T95456W31	FBI,BLM18PG471SH1-CP	
DISPLAY-P.W.Board		L7411	24T95456W31	FBI,BLM18PG471SH1-CP	
DISPLAY-P.W.Board		L7420	24T95456W27	FBI,BLM18PG181SH1-CP	
DISPLAY-P.W.Board		L7421	24T95456W27	FBI,BLM18PG181SH1-CP	
DISPLAY-P.W.Board		L7444	24-06212Z07	FBI,BLM15BD601SH1-CP	
DISPLAY-P.W.Board		L7445	24-06212Z07	FBI,BLM15BD601SH1-CP	
DISPLAY-P.W.Board		L7446	24-06212Z07	FBI,BLM15BD601SH1-CP	
DISPLAY-P.W.Board		L7447	24-06212Z07	FBI,BLM15BD601SH1-CP	
DISPLAY-P.W.Board		L7448	24-06212Z07	FBI,BLM15BD601SH1-CP	
DISPLAY-P.W.Board		L7449	24-06212Z07	FBI,BLM15BD601SH1-CP	
DISPLAY-P.W.Board		L7455	24-06212Z07	FBI,BLM15BD601SH1-CP	

P.W.Board	MIS	MODEL	Ref.	Parts No.	Parts Name
DISPLAY-P.W.Board		L7456	24-06212Z07	FBI,BLM15BD601SH1-CP	
DISPLAY-P.W.Board		L7457	24-06212Z07	FBI,BLM15BD601SH1-CP	
DISPLAY-P.W.Board		L7458	24-06212Z07	FBI,BLM15BD601SH1-CP	
DISPLAY-P.W.Board		L7459	24-06212Z07	FBI,BLM15BD601SH1-CP	
DISPLAY-P.W.Board		L7468	24-06212Z07	FBI,BLM15BD601SH1-CP	
DISPLAY-P.W.Board		L7469	24-06212Z07	FBI,BLM15BD601SH1-CP	
DISPLAY-P.W.Board		L7470	24-06212Z07	FBI,BLM15BD601SH1-CP	
DISPLAY-P.W.Board		L7471	24-06212Z07	FBI,BLM15BD601SH1-CP	
DISPLAY-P.W.Board		L7472	24-06212Z07	FBI,BLM15BD601SH1-CP	
DISPLAY-P.W.Board		L7473	24-06212Z07	FBI,BLM15BD601SH1-CP	
DISPLAY-P.W.Board		L7474	24-06212Z07	FBI,BLM15BD601SH1-CP	
DISPLAY-P.W.Board		L7482	24-06212Z06	FBI,BLM15BB221SH1-CP	
DISPLAY-P.W.Board		Q7000	48-21840Z01	FET,RHP020N06-T100E2	
DISPLAY-P.W.Board		Q7001	48-13000Z05	TR,LTC124EUBFS8-TLCP	
DISPLAY-P.W.Board		Q7002	48-17548Z01	TR,DSA500100L -CP	

P.W.Board	MIS	MODEL	Ref.	Parts No.	Parts Name
DISPLAY-P.W.Board			Q7003	48-21758Z01	TR,DSC2001S0L -CP
DISPLAY-P.W.Board			Q7004	48-20092Z02	TR,DMG563020R -CP
DISPLAY-P.W.Board			Q7005	48-17872Z01	TR,2PA1576Q -CP
DISPLAY-P.W.Board			Q7200	48T94875F06	DTB,113ZK-96 -CP
DISPLAY-P.W.Board			Q7202	48-17874Z01	TR,2PC4081Q -CP
DISPLAY-P.W.Board			Q7203	48-20092Z02	TR,DMG563020R -CP
DISPLAY-P.W.Board			R7000	06S35095Y08	RES,RK JUMPER 1/4-CP
DISPLAY-P.W.Board			R7001	06S15615Y73	RES,RK 103J 1/16 -CP
DISPLAY-P.W.Board			R7002	06S65415Y52	RES,RK 184F 1/16 -CP
DISPLAY-P.W.Board			R7003	06S45675W43	RES,RK JUMPER1/10-CP
DISPLAY-P.W.Board			R7004	06S15593Y56	RES,RK 202F 1/10 -CP
DISPLAY-P.W.Board			R7005	06S15593Y91	RES,RK 563F 1/10 -CP
DISPLAY-P.W.Board			R7006	06-12176Z10	RES,RK R56F 1/5 -CP
DISPLAY-P.W.Board			R7007	06S65415Y32	RES,RK 392F 1/16 -CP
DISPLAY-P.W.Board			R7009	06S45674W51	RES,RK 561J 1/10 -CP

P.W.Board	MIS	MODEL	Ref.	Parts No.	Parts Name
DISPLAY-P.W.Board			R7010	06S65415Y45	RES,RK 473F 1/16 -CP
DISPLAY-P.W.Board			R7011	06S65415Y41	RES,RK 223F 1/16 -CP
DISPLAY-P.W.Board			R7012	06S65415Y37	RES,RK 103F 1/16 -CP
DISPLAY-P.W.Board			R7013	06S65415Y26	RES,RK 122F 1/16 -CP
DISPLAY-P.W.Board			R7014	06S65415Y41	RES,RK 223F 1/16 -CP
DISPLAY-P.W.Board			R7015	06S15594Y16	RES,RK 564F 1/10 -CP
DISPLAY-P.W.Board			R7016	06S15615Y81	RES,RK 223J 1/16 -CP
DISPLAY-P.W.Board			R7019	06S45675W43	RES,RK JUMPER1/10-CP
DISPLAY-P.W.Board			R7020	06S15616Y23	RES,RK JUMPER1/16-CP
DISPLAY-P.W.Board			R7022	06S15615Y73	RES,RK 103J 1/16 -CP
DISPLAY-P.W.Board			R7024	06S15593Y92	RES,RK 623F 1/10 -CP
DISPLAY-P.W.Board			R7025	06S15594Y17	RES,RK 624F 1/10 -CP
DISPLAY-P.W.Board			R7026	06S15615Y25	RES,RK 101J 1/16 -CP
DISPLAY-P.W.Board			R7027	06S15593Y67	RES,RK 562F 1/10 -CP
DISPLAY-P.W.Board			R7028	06S15593Y95	RES,RK 823F 1/10 -CP

P.W.Board	MIS	MODEL	Ref.	Parts No.	Parts Name
DISPLAY-P.W.Board		R7030	06S65415Y35	RES,RK 682F 1/16 -CP	
DISPLAY-P.W.Board		R7031	06-25919Z07	RES,RK 243F 1/16 -CP	
DISPLAY-P.W.Board		R7032	06S15593Y52	RES,RK 132F 1/10 -CP	
DISPLAY-P.W.Board		R7033	06S15593Y82	RES,RK 243F 1/10 -CP	
DISPLAY-P.W.Board		R7034	06S65415Y38	RES,RK 123F 1/16 -CP	
DISPLAY-P.W.Board		R7035	06S65415Y39	RES,RK 153F 1/16 -CP	
DISPLAY-P.W.Board		R7036	06S65415Y34	RES,RK 562F 1/16 -CP	
DISPLAY-P.W.Board		R7037	06S65415Y48	RES,RK 823F 1/16 -CP	
DISPLAY-P.W.Board		R7038	06S70072F61	RES,CP .222-J-1/4-CP	
DISPLAY-P.W.Board		R7039	06S70072F61	RES,CP .222-J-1/4-CP	
DISPLAY-P.W.Board		R7040	06S65415Y46	RES,RK 563F 1/16 -CP	
DISPLAY-P.W.Board		R7041	06S65415Y37	RES,RK 103F 1/16 -CP	
DISPLAY-P.W.Board		R7042	06S15616Y23	RES,RK JUMPER1/16-CP	
DISPLAY-P.W.Board		R7043	06S15593Y91	RES,RK 563F 1/10 -CP	
DISPLAY-P.W.Board		R7044	06S15615Y99	RES,RK 124J 1/16 -CP	

P.W.Board	MIS	MODEL	Ref.	Parts No.	Parts Name
DISPLAY-P.W.Board		R7045	06S15594Y15	RES,RK 514F 1/10 -CP	
DISPLAY-P.W.Board		R7046	06S15593Y94	RES,RK 753F 1/10 -CP	
DISPLAY-P.W.Board		R7047	06S15615Y81	RES,RK 223J 1/16 -CP	
DISPLAY-P.W.Board		R7048	06S65415Y49	RES,RK 104F 1/16 -CP	
DISPLAY-P.W.Board		R7049	06S15594Y12	RES,RK 394F 1/10 -CP	
DISPLAY-P.W.Board		R7050	06S15593Y93	RES,RK 683F 1/10 -CP	
DISPLAY-P.W.Board		R7051	06S15593Y91	RES,RK 563F 1/10 -CP	
DISPLAY-P.W.Board		R7052	06S15594Y14	RES,RK 474F 1/10 -CP	
DISPLAY-P.W.Board		R7053	06S15594Y14	RES,RK 474F 1/10 -CP	
DISPLAY-P.W.Board		R7057	06S15593Y78	RES,RK 163F 1/10 -CP	
DISPLAY-P.W.Board		R7060	06S65415Y49	RES,RK 104F 1/16 -CP	
DISPLAY-P.W.Board		R7061	06S65415Y44	RES,RK 393F 1/16 -CP	
DISPLAY-P.W.Board		R7063	06S70072F29	RES,CP .101-J-1/4-CP	
DISPLAY-P.W.Board		R7064	06S15615Y99	RES,RK 124J 1/16 -CP	
DISPLAY-P.W.Board		R7065	06-25919Z07	RES,RK 243F 1/16 -CP	

P.W.Board	MIS	MODEL	Ref.	Parts No.	Parts Name
DISPLAY-P.W.Board			R7066	06S15615Y85	RES,RK 333J 1/16 -CP
DISPLAY-P.W.Board			R7067	06S65415Y32	RES,RK 392F 1/16 -CP
DISPLAY-P.W.Board			R7068	06S65415Y41	RES,RK 223F 1/16 -CP
DISPLAY-P.W.Board			R7069	06S15615Y83	RES,RK 273J 1/16 -CP
DISPLAY-P.W.Board			R7070	06S15616Y27	RES,RK 2R2J 1/16 -CP
DISPLAY-P.W.Board			R7071	06S65415Y31	RES,RK 332F 1/16 -CP
DISPLAY-P.W.Board			R7072	06S15593Y45	RES,RK 681F 1/10 -CP
DISPLAY-P.W.Board			R7073	06S15593Y94	RES,RK 753F 1/10 -CP
DISPLAY-P.W.Board			R7075	06S15594Y03	RES,RK 164F 1/10 -CP
DISPLAY-P.W.Board			R7077	06S65415Y38	RES,RK 123F 1/16 -CP
DISPLAY-P.W.Board			R7078	06S65415Y30	RES,RK 272F 1/16 -CP
DISPLAY-P.W.Board			R7079	06S65415Y33	RES,RK 472F 1/16 -CP
DISPLAY-P.W.Board			R7080	06S15593Y66	RES,RK 512F 1/10 -CP
DISPLAY-P.W.Board			R7081	06S15593Y91	RES,RK 563F 1/10 -CP
DISPLAY-P.W.Board			R7082	06S15594Y16	RES,RK 564F 1/10 -CP

P.W.Board	MIS	MODEL	Ref.	Parts No.	Parts Name
DISPLAY-P.W.Board			R7087	06S15594Y11	RES,RK 364F 1/10 -CP
DISPLAY-P.W.Board			R7089	06S65415Y30	RES,RK 272F 1/16 -CP
DISPLAY-P.W.Board			R7090	06S65415Y29	RES,RK 222F 1/16 -CP
DISPLAY-P.W.Board			R7091	06S65415Y32	RES,RK 392F 1/16 -CP
DISPLAY-P.W.Board			R7092	06S15593Y93	RES,RK 683F 1/10 -CP
DISPLAY-P.W.Board			R7093	06S65415Y17	RES,RK 221F 1/16 -CP
DISPLAY-P.W.Board			R7094	06-12176Z10	RES,RK R56F 1/5 -CP
DISPLAY-P.W.Board			R7210	06S65415Y30	RES,RK 272F 1/16 -CP
DISPLAY-P.W.Board			R7211	06S65415Y17	RES,RK 221F 1/16 -CP
DISPLAY-P.W.Board			R7212	06S65415Y17	RES,RK 221F 1/16 -CP
DISPLAY-P.W.Board			R7213	06S65415Y37	RES,RK 103F 1/16 -CP
DISPLAY-P.W.Board			R7214	06S65415Y42	RES,RK 273F 1/16 -CP
DISPLAY-P.W.Board			R7215	06S65415Y37	RES,RK 103F 1/16 -CP
DISPLAY-P.W.Board			R7216	06S65415Y41	RES,RK 223F 1/16 -CP
DISPLAY-P.W.Board			R7217	06S65415Y41	RES,RK 223F 1/16 -CP

P.W.Board	MIS	MODEL	Ref.	Parts No.	Parts Name
DISPLAY-P.W.Board			R7218	06S65415Y41	RES,RK 223F 1/16 -CP
DISPLAY-P.W.Board			R7219	06S65415Y41	RES,RK 223F 1/16 -CP
DISPLAY-P.W.Board			R7222	06S15593Y29	RES,RK 151F 1/10 -CP
DISPLAY-P.W.Board			R7223	06S15593Y33	RES,RK 221F 1/10 -CP
DISPLAY-P.W.Board			R7224	06S15593Y35	RES,RK 271F 1/10 -CP
DISPLAY-P.W.Board			R7228	06S15593Y29	RES,RK 151F 1/10 -CP
DISPLAY-P.W.Board			R7229	06S15593Y33	RES,RK 221F 1/10 -CP
DISPLAY-P.W.Board			R7230	06S15593Y35	RES,RK 271F 1/10 -CP
DISPLAY-P.W.Board			R7234	06S15593Y41	RES,RK 471F 1/10 -CP
DISPLAY-P.W.Board			R7235	06S15593Y41	RES,RK 471F 1/10 -CP
DISPLAY-P.W.Board			R7236	06S15593Y41	RES,RK 471F 1/10 -CP
DISPLAY-P.W.Board			R7237	06S15593Y41	RES,RK 471F 1/10 -CP
DISPLAY-P.W.Board			R7238	06S15593Y41	RES,RK 471F 1/10 -CP
DISPLAY-P.W.Board			R7239	06S15593Y41	RES,RK 471F 1/10 -CP
DISPLAY-P.W.Board			R7240	06S15593Y41	RES,RK 471F 1/10 -CP

P.W.Board	MIS	MODEL	Ref.	Parts No.	Parts Name
DISPLAY-P.W.Board			R7241	06S45675W43	RES,RK JUMPER1/10-CP
DISPLAY-P.W.Board			R7247	06S15616Y23	RES,RK JUMPER1/16-CP
DISPLAY-P.W.Board			R7248	06S15616Y23	RES,RK JUMPER1/16-CP
DISPLAY-P.W.Board			R7249	06S15616Y23	RES,RK JUMPER1/16-CP
DISPLAY-P.W.Board			R7250	06S15616Y23	RES,RK JUMPER1/16-CP
DISPLAY-P.W.Board			R7251	06S15615Y09	RES,RK 22RJ 1/16 -CP
DISPLAY-P.W.Board			R7252	06S15615Y09	RES,RK 22RJ 1/16 -CP
DISPLAY-P.W.Board			R7253	06S15615Y09	RES,RK 22RJ 1/16 -CP
DISPLAY-P.W.Board			R7256	06S15615Y49	RES,RK 102J 1/16 -CP
DISPLAY-P.W.Board			R7257	06S15615Y81	RES,RK 223J 1/16 -CP
DISPLAY-P.W.Board			R7400	06S15615Y33	RES,RK 221J 1/16 -CP
DISPLAY-P.W.Board			R7401	06S15615Y33	RES,RK 221J 1/16 -CP
DISPLAY-P.W.Board			R7403	06S15615Y73	RES,RK 103J 1/16 -CP
DISPLAY-P.W.Board			R7404	06S15616Y23	RES,RK JUMPER1/16-CP
DISPLAY-P.W.Board			R7405	06S15615Y25	RES,RK 101J 1/16 -CP

P.W.Board	MIS	MODEL	Ref.	Parts No.	Parts Name
DISPLAY-P.W.Board			R7406	06S15615Y73	RES,RK 103J 1/16 -CP
DISPLAY-P.W.Board			R7407	06S15615Y33	RES,RK 221J 1/16 -CP
DISPLAY-P.W.Board			R7411	06S65415Y11	RES,RK 68RF 1/16 -CP
DISPLAY-P.W.Board			R7412	06S15616Y23	RES,RK JUMPER1/16-CP
DISPLAY-P.W.Board			R7413	06S65415Y11	RES,RK 68RF 1/16 -CP
DISPLAY-P.W.Board			R7414	06S65415Y11	RES,RK 68RF 1/16 -CP
DISPLAY-P.W.Board			R7415	06S65415Y11	RES,RK 68RF 1/16 -CP
DISPLAY-P.W.Board			R7416	06S65415Y11	RES,RK 68RF 1/16 -CP
DISPLAY-P.W.Board			R7417	06S65415Y11	RES,RK 68RF 1/16 -CP
DISPLAY-P.W.Board			R7418	06S15615Y13	RES,RK 33RJ 1/16 -CP
DISPLAY-P.W.Board			R7420	06S15615Y33	RES,RK 221J 1/16 -CP
DISPLAY-P.W.Board			R7421	06S15615Y33	RES,RK 221J 1/16 -CP
DISPLAY-P.W.Board			R7422	06S15615Y33	RES,RK 221J 1/16 -CP
DISPLAY-P.W.Board			R7429	06S15615Y33	RES,RK 221J 1/16 -CP
DISPLAY-P.W.Board			R7434	06S15615Y53	RES,RK 152J 1/16 -CP


P.W.Board	MIS	MODEL	Ref.	Parts No.	Parts Name
DISPLAY-P.W.Board			R7435	06S15616Y23	RES,RK JUMPER1/16-CP
DISPLAY-P.W.Board			R7436	06S15616Y23	RES,RK JUMPER1/16-CP
DISPLAY-P.W.Board			R7440	06S15616Y23	RES,RK JUMPER1/16-CP
DISPLAY-P.W.Board			R7441	06S15616Y23	RES,RK JUMPER1/16-CP
DISPLAY-P.W.Board			R7443	06S15615Y73	RES,RK 103J 1/16 -CP
DISPLAY-P.W.Board			R7460	06S65415Y11	RES,RK 68RF 1/16 -CP
DISPLAY-P.W.Board			R7461	06S65415Y11	RES,RK 68RF 1/16 -CP
DISPLAY-P.W.Board			R7462	06S65415Y11	RES,RK 68RF 1/16 -CP
DISPLAY-P.W.Board			R7463	06S65415Y11	RES,RK 68RF 1/16 -CP
DISPLAY-P.W.Board			R7464	06S65415Y11	RES,RK 68RF 1/16 -CP
DISPLAY-P.W.Board			R7465	06S65415Y11	RES,RK 68RF 1/16 -CP
DISPLAY-P.W.Board			R7466	06S65415Y11	RES,RK 68RF 1/16 -CP
DISPLAY-P.W.Board			R7467	06S65415Y11	RES,RK 68RF 1/16 -CP
DISPLAY-P.W.Board			R7475	06S65415Y11	RES,RK 68RF 1/16 -CP
DISPLAY-P.W.Board			R7476	06S65415Y11	RES,RK 68RF 1/16 -CP

P.W.Board	MIS	MODEL	Ref.	Parts No.	Parts Name
DISPLAY-P.W.Board			R7477	06S65415Y11	RES,RK 68RF 1/16 -CP
DISPLAY-P.W.Board			R7478	06S65415Y11	RES,RK 68RF 1/16 -CP
DISPLAY-P.W.Board			R7479	06S15615Y73	RES,RK 103J 1/16 -CP
DISPLAY-P.W.Board			R7480	06S15615Y33	RES,RK 221J 1/16 -CP
DISPLAY-P.W.Board			R7482	06S15615Y33	RES,RK 221J 1/16 -CP
DISPLAY-P.W.Board			R7483	06S15615Y33	RES,RK 221J 1/16 -CP
DISPLAY-P.W.Board			R7484	06S15615Y33	RES,RK 221J 1/16 -CP
DISPLAY-P.W.Board			R7485	06S15616Y22	RES,RK 105J 1/16 -CP
DISPLAY-P.W.Board			R7486	06S65415Y03	RES,RK 15RF 1/16 -CP
DISPLAY-P.W.Board			R7490	06S15615Y49	RES,RK 102J 1/16 -CP
DISPLAY-P.W.Board			R7491	06S15615Y09	RES,RK 22RJ 1/16 -CP
DISPLAY-P.W.Board			R7492	06S15615Y73	RES,RK 103J 1/16 -CP
DISPLAY-P.W.Board			R7501	06S15616Y23	RES,RK JUMPER1/16-CP
DISPLAY-P.W.Board			R7502	06S15616Y23	RES,RK JUMPER1/16-CP
DISPLAY-P.W.Board			R7504	06S15616Y23	RES,RK JUMPER1/16-CP

P.W.Board	MIS	MODEL	Ref.	Parts No.	Parts Name
DISPLAY-P.W.Board			R7510	06S15616Y23	RES,RK JUMPER1/16-CP
DISPLAY-P.W.Board			R7518	06S15615Y73	RES,RK 103J 1/16 -CP
DISPLAY-P.W.Board			R7521	06S15615Y60	RES,RK 302J 1/16 -CP
DISPLAY-P.W.Board			R7522	06S65415Y24	RES,RK 821F 1/16 -CP
DISPLAY-P.W.Board			R7523	06S65415Y08	RES,RK 39RF 1/16 -CP
DISPLAY-P.W.Board			R7524	06S65415Y07	RES,RK 33RF 1/16 -CP
DISPLAY-P.W.Board			R7525	06S65415Y04	RES,RK 18RF 1/16 -CP
DISPLAY-P.W.Board			R7526	06S15616Y23	RES,RK JUMPER1/16-CP
DISPLAY-P.W.Board			R7527	06S65415Y30	RES,RK 272F 1/16 -CP
DISPLAY-P.W.Board			R7528	06S65415Y17	RES,RK 221F 1/16 -CP
DISPLAY-P.W.Board			R7529	06S65415Y20	RES,RK 391F 1/16 -CP
DISPLAY-P.W.Board			R7530	06S65415Y02	RES,RK 12RF 1/16 -CP
DISPLAY-P.W.Board			R7531	06S65415Y19	RES,RK 331F 1/16 -CP
DISPLAY-P.W.Board			R7532	06S65415Y16	RES,RK 181F 1/16 -CP
DISPLAY-P.W.Board			R7533	06S65415Y27	RES,RK 152F 1/16 -CP

P.W.Board	MIS	MODEL	Ref.	Parts No.	Parts Name
DISPLAY-P.W.Board		R7534	06S65415Y22	RES,RK 561F 1/16 -CP	
DISPLAY-P.W.Board		R7535	06S65415Y25	RES,RK 102F 1/16 -CP	
DISPLAY-P.W.Board		R7536	06S65415Y13	RES,RK 101F 1/16 -CP	
DISPLAY-P.W.Board		R7537	06S65415Y31	RES,RK 332F 1/16 -CP	
DISPLAY-P.W.Board		R7538	06S65415Y28	RES,RK 182F 1/16 -CP	
DISPLAY-P.W.Board		R7539	06S65415Y22	RES,RK 561F 1/16 -CP	
DISPLAY-P.W.Board		R7540	06S15616Y23	RES,RK JUMPER1/16-CP	
DISPLAY-P.W.Board		R7541	06S65415Y22	RES,RK 561F 1/16 -CP	
DISPLAY-P.W.Board		R7542	06S65415Y03	RES,RK 15RF 1/16 -CP	
DISPLAY-P.W.Board		R7604	06S15615Y65	RES,RK 472J 1/16 -CP	
DISPLAY-P.W.Board		R7606	06S15615Y09	RES,RK 22RJ 1/16 -CP	
DISPLAY-P.W.Board		R7607	06S15615Y09	RES,RK 22RJ 1/16 -CP	
DISPLAY-P.W.Board		R7608	06S15615Y25	RES,RK 101J 1/16 -CP	
DISPLAY-P.W.Board		R7609	06S15615Y25	RES,RK 101J 1/16 -CP	
DISPLAY-P.W.Board		R7610	06S15615Y43	RES,RK 561J 1/16 -CP	

P.W.Board	MIS	MODEL	Ref.	Parts No.	Parts Name
DISPLAY-P.W.Board			R7611	06S15615Y43	RES,RK 561J 1/16 -CP
DISPLAY-P.W.Board			R7612	06S15615Y43	RES,RK 561J 1/16 -CP
DISPLAY-P.W.Board			R7613	06S15615Y43	RES,RK 561J 1/16 -CP
DISPLAY-P.W.Board			R7614	06S15615Y43	RES,RK 561J 1/16 -CP
DISPLAY-P.W.Board			R7615	06S15615Y43	RES,RK 561J 1/16 -CP
DISPLAY-P.W.Board			R7616	06S15615Y43	RES,RK 561J 1/16 -CP
DISPLAY-P.W.Board			R7617	06S15615Y43	RES,RK 561J 1/16 -CP
DISPLAY-P.W.Board			R7618	06S15615Y43	RES,RK 561J 1/16 -CP
DISPLAY-P.W.Board			R7619	06S15615Y43	RES,RK 561J 1/16 -CP
DISPLAY-P.W.Board			R7620	06S15615Y43	RES,RK 561J 1/16 -CP
DISPLAY-P.W.Board			R7621	06S15615Y43	RES,RK 561J 1/16 -CP
DISPLAY-P.W.Board			R7622	06S15615Y43	RES,RK 561J 1/16 -CP
DISPLAY-P.W.Board			R7623	06S15615Y43	RES,RK 561J 1/16 -CP
DISPLAY-P.W.Board			R7624	06S15615Y43	RES,RK 561J 1/16 -CP
DISPLAY-P.W.Board			SD7001	48-17988Z01	DIO,SHT RB060M-60-CP

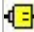
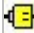




P.W.Board	MIS	MODEL	Ref.	Parts No.	Parts Name
DISPLAY-P.W.Board		SD7002	48-19296Z01		DIO,SHT RB056L-40-E1
DISPLAY-P.W.Board		SD7003	48-19296Z01		DIO,SHT RB056L-40-E1
DISPLAY-P.W.Board		XL7400	91-26661Z12		XTL,NX3225SAAG27.0CP
DISPLAY-P.W.Board		ZD7000	48-16145Z40		DIO,ZEN PZU10B2 -CP
GPS-P.W.Board		ANT900	09T45601Y01		GT5-1P-DS(70) -DB
GPS-P.W.Board		C905	08S35349Y16		CAP,CER 105K-B1A -CP
GPS-P.W.Board		C906	08S45676W80		CAP,CER 223K-B1E -CP
GPS-P.W.Board		C907	08S45677W40		CAP,CER.151J-CH1H-CP
GPS-P.W.Board		C908	08S45232Y17		CAP,CER 104K-B0J -CP
GPS-P.W.Board		C909	08S45231Y14		CAP,CER 12RJ-CH1H-CP
GPS-P.W.Board		C910	08S35349Y21		CAP,CER 104K-B1H -CP
GPS-P.W.Board		C911	08S65669Y03		CAP,CER 224KX7R1H-CP
GPS-P.W.Board		C912	08S45231Y19		CAP,CER 33RJ-CH1H-CP
GPS-P.W.Board		C913	08S35374W12		CAP,CER 106K-B0J -CP
GPS-P.W.Board		C914	08S65669Y03		CAP,CER 224KX7R1H-CP
GPS-P.W.Board		C915	08S35374W12		CAP,CER 106K-B0J -CP
GPS-P.W.Board		C917	08S45231Y17		CAP,CER 22RJ-CH1H-CP
GPS-P.W.Board		C918	08S35374W12		CAP,CER 106K-B0J -CP
GPS-P.W.Board		C919	08S65669Y03		CAP,CER 224KX7R1H-CP
GPS-P.W.Board		C920	08S65669Y03		CAP,CER 224KX7R1H-CP
GPS-P.W.Board		C921	08S65669Y03		CAP,CER 224KX7R1H-CP
GPS-P.W.Board		C922	08S65677Y06		CAP,CER 226MX7R1C-CP

P.W.Board	MIS	MODEL	Ref.	Parts No.	Parts Name
GPS-P.W.Board		C923	08-16834Z01	CAP,CER 104KX7R1H-CP	
GPS-P.W.Board		C924	08S35349Y17	CAP,CER 225K-B0J -CP	
GPS-P.W.Board		C925	08S65676Y03	CAP,CER 225KX7R1C-CP	
GPS-P.W.Board		C926	08S45231Y29	CAP,CER 221J-CH1H-CP	
GPS-P.W.Board		C928	08S35374W12	CAP,CER 106K-B0J -CP	
GPS-P.W.Board		C929	08S35374W12	CAP,CER 106K-B0J -CP	
GPS-P.W.Board		C930	08S65667Y01	CAP,CER 224KX5R1C-CP	
GPS-P.W.Board		CH900	09-32417Z01	BTB,IMSA9984S-100YEZ	
GPS-P.W.Board		D900	48T94608F01	DIO,DA204U(MIN) -CP	
GPS-P.W.Board		IC901	51T93332F02	NJM2903V-TE2 -SE2	
GPS-P.W.Board		IC902	51-33995Z01	ASSY,GYR SMI130 -EE2	
GPS-P.W.Board		IC903	51-18743Z01	TLF4277EL -SE2	
GPS-P.W.Board		L900	24T95456W31	FBI,BLM18PG471SH1-CP	
GPS-P.W.Board		L901	24T75143Y22	IND,HK1005 R056J -CP	
GPS-P.W.Board		Q900	48-13000Z01	TR,LTC114EUBFS8-TLCP	
GPS-P.W.Board		Q901	48-13000Z05	TR,LTC124EUBFS8-TLCP	
GPS-P.W.Board		R901	06S65415Y29	RES,RK 222F 1/16 -CP	
GPS-P.W.Board		R902	06S70072F77	RES,CP .103-J-1/4-CP	
GPS-P.W.Board		R903	06S15615Y97	RES,RK 104J 1/16 -CP	
GPS-P.W.Board		R904	06S15615Y73	RES,RK 103J 1/16 -CP	
GPS-P.W.Board		R905	06S15615Y73	RES,RK 103J 1/16 -CP	
GPS-P.W.Board		R906	06S15615Y73	RES,RK 103J 1/16 -CP	
GPS-P.W.Board		R907	06S15615Y73	RES,RK 103J 1/16 -CP	
GPS-P.W.Board		R908	06S15615Y89	RES,RK 473J 1/16 -CP	
GPS-P.W.Board		R909	06S35095Y03	RES,RK 473J 1/4 -CP	

P.W.Board	MIS	MODEL	Ref.	Parts No.	Parts Name
GPS-P.W.Board		R910	06S15593Y78	RES,RK 163F 1/10 -CP	
GPS-P.W.Board		R911	06S15593Y82	RES,RK 243F 1/10 -CP	
GPS-P.W.Board		R913	06S15616Y23	RES,RK JUMPER1/16-CP	
GPS-P.W.Board		R914	06S15615Y13	RES,RK 33RJ 1/16 -CP	
GPS-P.W.Board		R915	06S15615Y81	RES,RK 223J 1/16 -CP	
GPS-P.W.Board		R916	06S15616Y23	RES,RK JUMPER1/16-CP	
GPS-P.W.Board		R917	06S15616Y23	RES,RK JUMPER1/16-CP	
GPS-P.W.Board		R918	06S15615Y57	RES,RK 222J 1/16 -CP	
GPS-P.W.Board		R919	06S15615Y57	RES,RK 222J 1/16 -CP	
GPS-P.W.Board		R920	06S15616Y23	RES,RK JUMPER1/16-CP	
GPS-P.W.Board		R921	06S15615Y25	RES,RK 101J 1/16 -CP	
GPS-P.W.Board		R922	06S15615Y25	RES,RK 101J 1/16 -CP	
GPS-P.W.Board		R923	06S15615Y81	RES,RK 223J 1/16 -CP	
GPS-P.W.Board		R925	06S15615Y81	RES,RK 223J 1/16 -CP	
GPS-P.W.Board		R927	06S65415Y33	RES,RK 472F 1/16 -CP	
GPS-P.W.Board		R928	06S65415Y37	RES,RK 103F 1/16 -CP	
GPS-P.W.Board		R929	06S65415Y33	RES,RK 472F 1/16 -CP	
GPS-P.W.Board		R930	06S35083Y64	RES,RK 3R3F 1/4 -CP	
GPS-P.W.Board		R931	06S15593Y93	RES,RK 683F 1/10 -CP	
GPS-P.W.Board		R932	06S35083Y19	RES,RK 331F 1/4 -CP	
GPS-P.W.Board		R933	06S65415Y27	RES,RK 152F 1/16 -CP	
GPS-P.W.Board		R934	06S15593Y68	RES,RK 622F 1/10 -CP	
GPS-P.W.Board		SD900	48-16030Z02	DIO,SHT 1PS79SB31-CP	
GPS-P.W.Board		TU900	TU-34948Z01	GPS GV-8720B -EA	
GPS-P.W.Board		Z900	91T45556Y03	EMI,NFM21HC101U1H-CP	

P.W.Board	MIS	MODEL	Ref.	Parts No.	Parts Name
GPS-P.W.Board		Z901	91T45556Y03	EMI,NFM21HC101U1H-CP	
KEY-P.W.Board		C8000	08S45231Y28	CAP,CER 181J-CH1H-CP	
KEY-P.W.Board		C8001	08S45231Y28	CAP,CER 181J-CH1H-CP	
KEY-P.W.Board		C8002	08S45231Y28	CAP,CER 181J-CH1H-CP	
KEY-P.W.Board		C8003	08S45231Y28	CAP,CER 181J-CH1H-CP	
KEY-P.W.Board		C8004	08S45231Y28	CAP,CER 181J-CH1H-CP	
KEY-P.W.Board		C8005	08S45231Y28	CAP,CER 181J-CH1H-CP	
KEY-P.W.Board		C8006	08S45231Y28	CAP,CER 181J-CH1H-CP	
KEY-P.W.Board		C8007	08S65668Y05	CAP,CER 224KX5R1A-CP	
KEY-P.W.Board		C8008	08S65668Y05	CAP,CER 224KX5R1A-CP	
KEY-P.W.Board		C8009	08S35349Y17	CAP,CER 225K-B0J -CP	
KEY-P.W.Board		C8010	08-26717Z01	CAP,CER105KX5R/B1ACP	
KEY-P.W.Board		C8011	08-26717Z01	CAP,CER105KX5R/B1ACP	
KEY-P.W.Board		CB8000	09-25711Z04	FFC,FH33-40S-0.5SHER	
KEY-P.W.Board		IC8000	51-11988Z01	RPMS1381-H19-E4A-NE5	
KEY-P.W.Board		IC8001	51-20270Z01	PNJ4K01F -CP	
KEY-P.W.Board		LD8000	48-30329Z03	LED,R/G/B CRGB1314CP	
KEY-P.W.Board		LD8001	48-30329Z03	LED,R/G/B CRGB1314CP	
KEY-P.W.Board		LD8002	48-11867Z01	LED,WHT SMLE12WBC7CP	
KEY-P.W.Board		LD8003	48-11867Z01	LED,WHT SMLE12WBC7CP	
KEY-P.W.Board		LD8004	48-11867Z01	LED,WHT SMLE12WBC7CP	
KEY-P.W.Board		LD8005	48-11867Z01	LED,WHT SMLE12WBC7CP	
KEY-P.W.Board		LD8006	48-11867Z01	LED,WHT SMLE12WBC7CP	
KEY-P.W.Board		LD8007	48-11867Z01	LED,WHT SMLE12WBC7CP	
KEY-P.W.Board		LD8008	48-11867Z01	LED,WHT SMLE12WBC7CP	

P.W.Board	MIS	MODEL	Ref.	Parts No.	Parts Name
KEY-P.W.Board		MC8000	50-25137Z02	MIC,KRM5200-010240E2	
KEY-P.W.Board		R8000	06S65415Y30	RES,RK 272F 1/16 -CP	
KEY-P.W.Board		R8001	06S65415Y32	RES,RK 392F 1/16 -CP	
KEY-P.W.Board		R8002	06S65415Y36	RES,RK 822F 1/16 -CP	
KEY-P.W.Board		R8003	06S65415Y30	RES,RK 272F 1/16 -CP	
KEY-P.W.Board		R8004	06S65415Y32	RES,RK 392F 1/16 -CP	
KEY-P.W.Board		R8005	06S65415Y36	RES,RK 822F 1/16 -CP	
KEY-P.W.Board		R8006	06S65415Y42	RES,RK 273F 1/16 -CP	
KEY-P.W.Board		R8007	06S15616Y23	RES,RK JUMPER1/16-CP	
KEY-P.W.Board		R8008	06S45674W25	RES,RK 47RJ 1/10 -CP	
KEY-P.W.Board		R8009	06S15615Y81	RES,RK 223J 1/16 -CP	
KEY-P.W.Board		R8010	06S15615Y49	RES,RK 102J 1/16 -CP	
KEY-P.W.Board		R8011	06S15616Y39	RES,RK 475J 1/16 -CP	
KEY-P.W.Board		SW8000	40T65353Y01	SW,TACT SKRSPACE010E2	
KEY-P.W.Board		SW8001	40T65353Y01	SW,TACT SKRSPACE010E2	
KEY-P.W.Board		SW8002	40T65353Y01	SW,TACT SKRSPACE010E2	
KEY-P.W.Board		SW8003	40T65353Y01	SW,TACT SKRSPACE010E2	
KEY-P.W.Board		SW8004	40T65353Y01	SW,TACT SKRSPACE010E2	
KEY-P.W.Board		SW8005	40T65353Y01	SW,TACT SKRSPACE010E2	
KEY-P.W.Board		SW8006	40T65353Y01	SW,TACT SKRSPACE010E2	
KEY-P.W.Board		SW8007	40T65353Y01	SW,TACT SKRSPACE010E2	
KEY-P.W.Board		SW8008	40T65353Y01	SW,TACT SKRSPACE010E2	
KEY-P.W.Board		SW8009	40T65353Y01	SW,TACT SKRSPACE010E2	
KEY-P.W.Board		ZD8000	48-01607Z08	DIO,ZEN LUDZ3.9B -CP	
KEY-P.W.Board		ZD8001	48-01607Z08	DIO,ZEN LUDZ3.9B -CP	

P.W.Board	MIS	MODEL	Ref.	Parts No.	Parts Name
KEY-P.W.Board		ZD8002	48-01607Z08		DIO,ZEN LUDZ3.9B -CP
KEY-P.W.Board		ZD8003	48-01607Z08		DIO,ZEN LUDZ3.9B -CP
KEY-P.W.Board		ZD8004	48-01607Z08		DIO,ZEN LUDZ3.9B -CP
KEY-P.W.Board		ZD8005	48-01607Z08		DIO,ZEN LUDZ3.9B -CP
KEY-P.W.Board		ZD8006	48-01607Z08		DIO,ZEN LUDZ3.9B -CP
KEY-P.W.Board		ZD8007	48-01607Z08		DIO,ZEN LUDZ3.9B -CP
KEY-P.W.Board		ZD8008	48-01607Z08		DIO,ZEN LUDZ3.9B -CP
KEY-P.W.Board		ZD8009	48-01607Z08		DIO,ZEN LUDZ3.9B -CP
KEY-P.W.Board		ZD8010	48-01607Z08		DIO,ZEN LUDZ3.9B -CP
KEY-P.W.Board		ZD8011	48-01607Z08		DIO,ZEN LUDZ3.9B -CP
KEY-P.W.Board		ZD8012	48-01607Z08		DIO,ZEN LUDZ3.9B -CP
BT.ANT-P.W.Board		ANT9001	09-07494Z01		U.FL-R-SMT-1(80)-E2
BT.ANT-P.W.Board		C9003	08S45231Y40		CAP,CER 3R9C-CH1H-CP
Miscellaneous		ANT5502	09-24492Z04		ASSY,U.FL-2LP-066N1
Miscellaneous		ET3150	09-19615Z02		ASSY,ANID-0139-02A
Miscellaneous		ET7601	40-29927Z01		ASSY,HCDSS0A002A
Miscellaneous		LCD7500	65-30872Z01		ASSY,A070VTN03.0
Miscellaneous		M3490	59-14185Z03		MOTOR,ASB0412MA-9D11