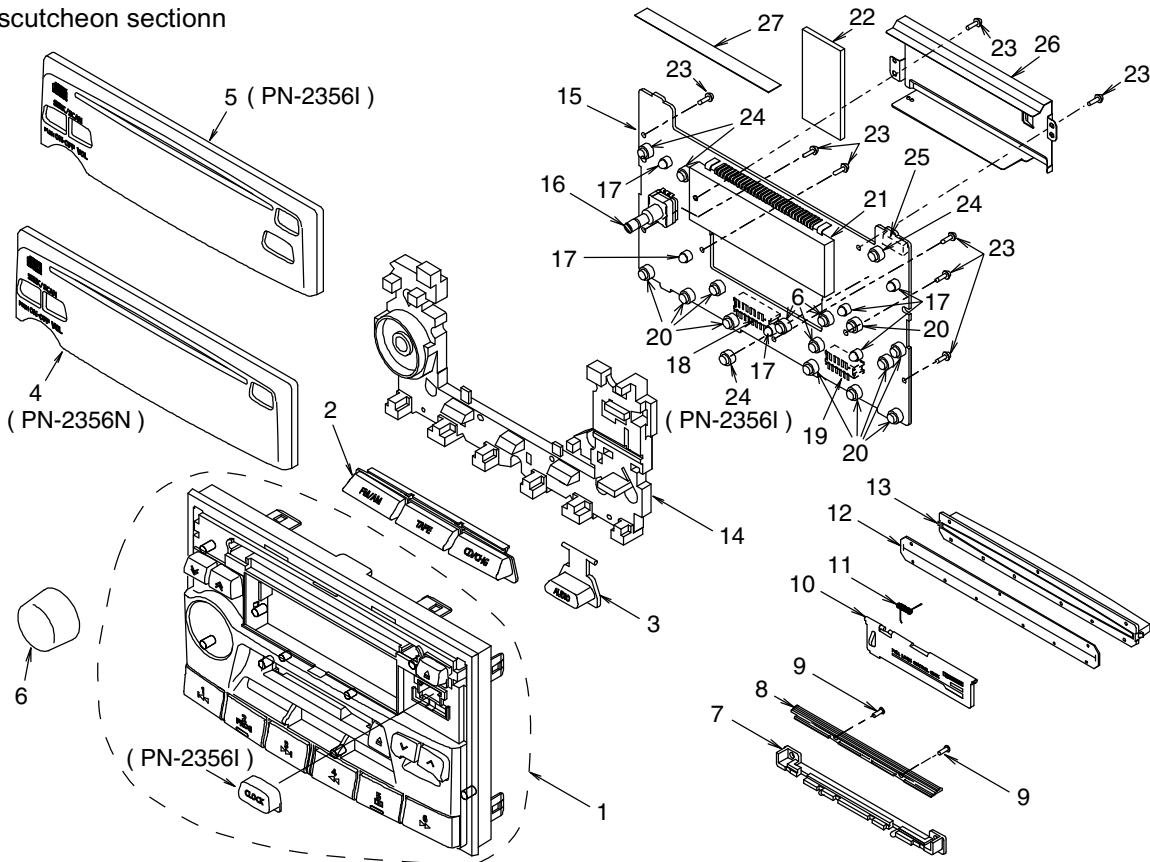


EXPLODED VIEW • PARTS LIST

Escutcheon sectionn



Note)Several different parts of the same reference number are alternative parts.
One of those parts is used in the set.

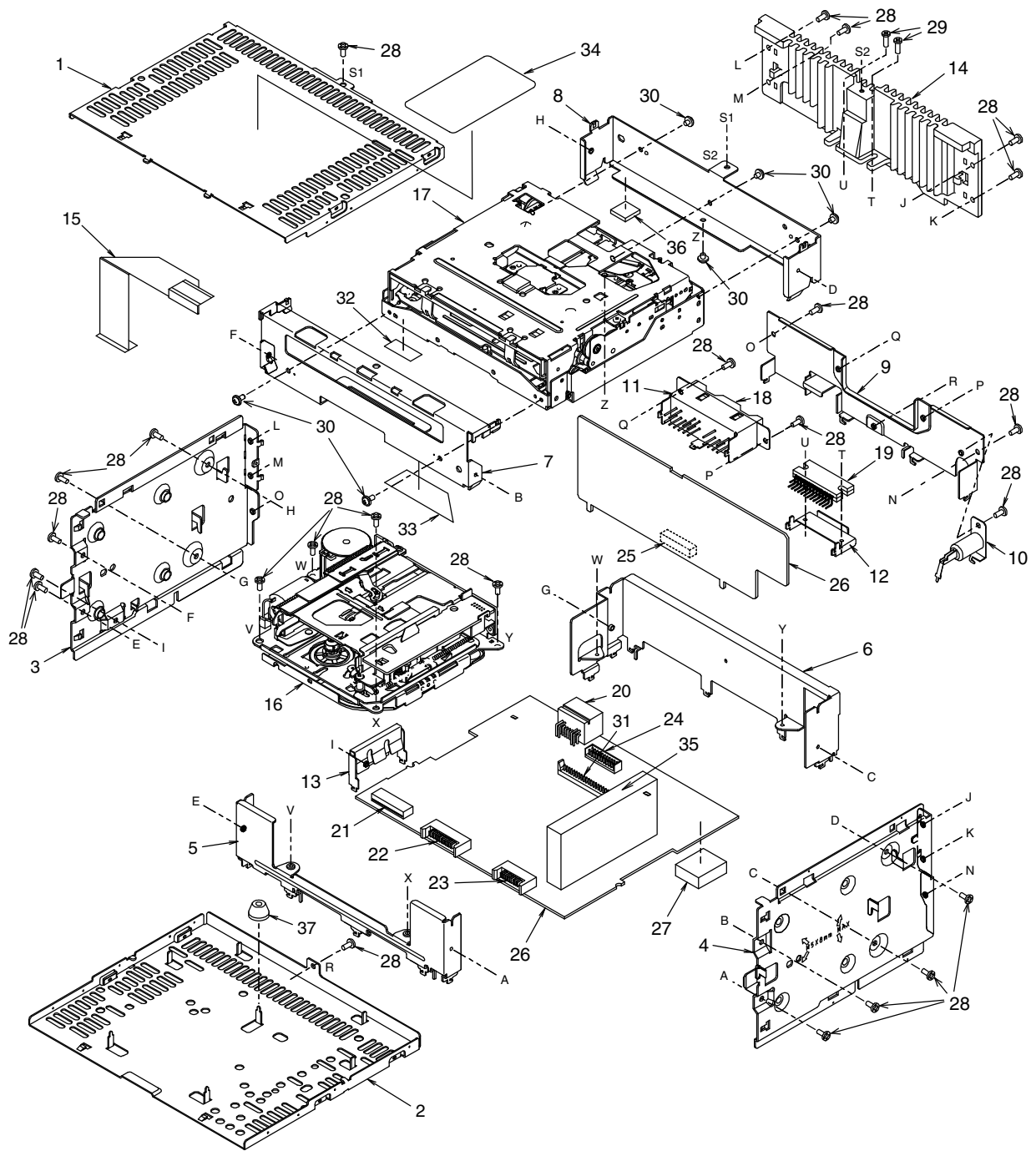
NO.	PART NO.	DESCRIPTION	Q'TY
1	940-7835-01	ESCUTCHEON ASSY (PN-2356N)	1
	940-7836-11	ESCUTCHEON ASSY (PN-2356I)	
2	382-4978-01	BUTTON(CD/TA/AF) (PN-2356N)	1
	382-4978-31	BUTTON(CD/TA/AF) (PN-2356I)	
3	382-4982-00	BUTTON(AUDIO)(PN-2356N)	1
	382-4982-10	BUTTON(AUDIO)(PN-2356I)	
4	373-0870-00	DIAL COVER(PN-2356N)	1
5	373-0879-10	DIAL COVER(PN-2356I)	1
6	380-5334-00	KNOB	1
7	335-5664-00	SHADE MOLD(BUTTON)	1
8	335-5703-00	SHADE MOLD(DIAL-CVR)	1
9	716-0872-00	PAD SCREW(M1.7×5 SILVER)	2
10	320-0572-66	DUSTPROOF-CVR(PN-2356N)	1
	320-0572-69	DUSTPROOF-CVR(PN-2356I)	
11	750-2626-00	SPRING	1
12	346-0105-10	LEATHER SHEET	1

NO.	PART NO.	DESCRIPTION	Q'TY
13	335-5602-00	DISC GUIDE	1
14	335-5663-00	ILLUMI PLATE	1
15	039-1757-01	DISPLAY PWB (WITHOUT COMPONENT)	1
16	016-0010-09	VARIABLE RESISTOR	1
17	017-0420-19	PILOTLAMP(14V40mA)	6
18	074-1151-16	OUTLET SOCKET(16P)	1
19	074-1151-12	OUTLET SOCKET(12P)	1
20	013-6200-60	SWITCH	13
21	379-4015-20	INDICATOR	1
22	345-8090-00	CUSHION RUBBER	1
23	702-2008-81	TAP SCREW(2×8)	8
24	013-6200-61	SWITCH(PN-2356N)	3
	013-6200-61	SWITCH(PN-2356I)	4
25	345-3166-00	RUBBER PARTS	1
26	331-3035-00	EARTH PLATE	1
27	347-5150-01	FILM	1

Main section

NO.	PART NO.	DESCRIPTION	Q'TY
1	310-1639-00	UPPER CASE	1
2	311-1726-02	LOWER CASE	1
3	305-0263-00	SIDE PLATE(LH)	1
4	305-0264-00	SIDE PLATE(RH)	1
5	309-0697-00	FRONT PLATE	1
6	331-2275-01	MECHANISM BRACKET	1

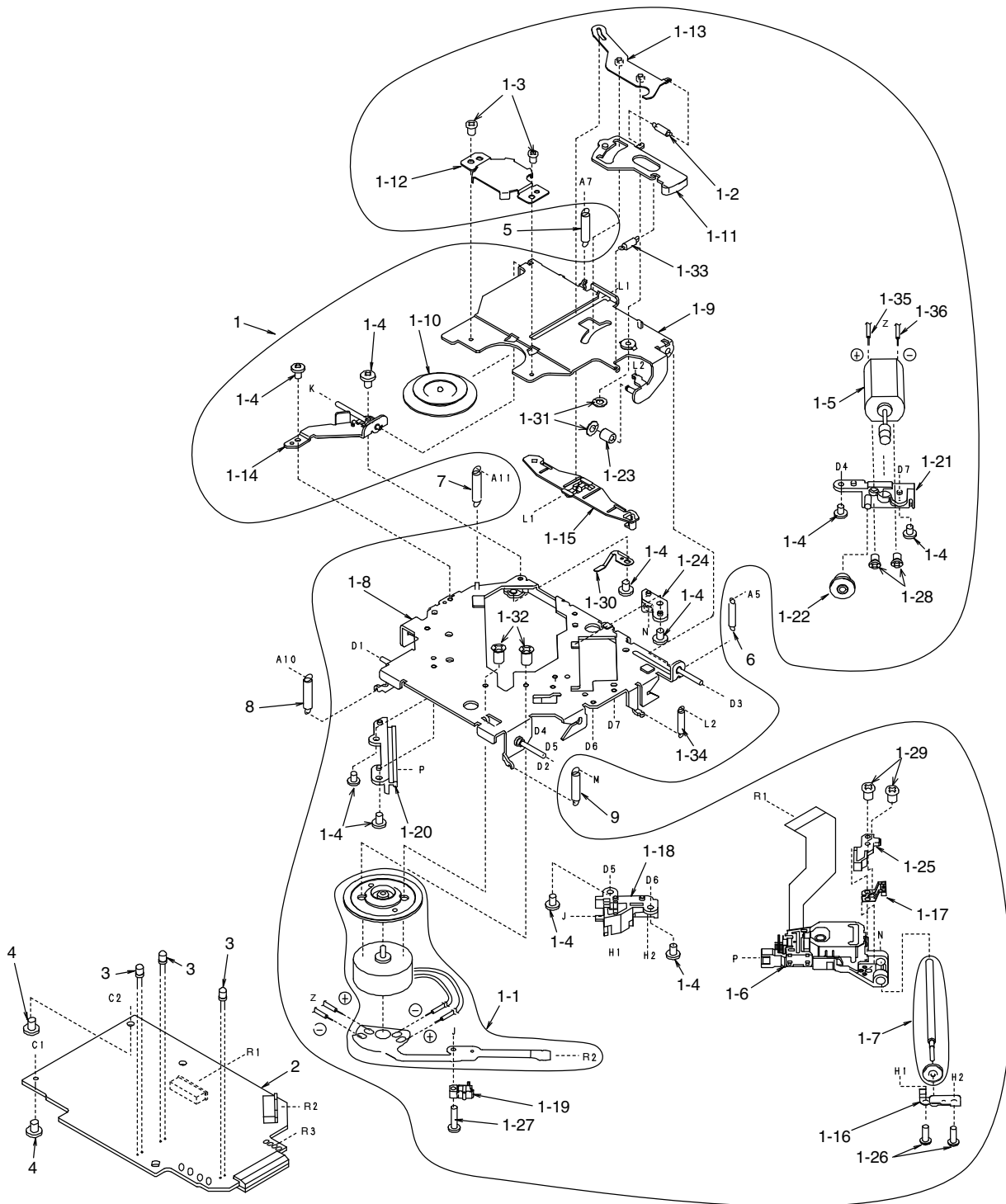
NO.	PART NO.	DESCRIPTION	Q'TY
7	331-2281-01	MECHANISM BRACKET(F)	1
8	331-2282-00	MECHANISM BRACKET(R)	1
9	331-3076-10	ANT HOLDER	1
10	092-0702-00	ANT RECEPTACLE	1
11	331-2271-00	OUTLET HOLDER	1
12	331-2301-00	IC HOLDER	1

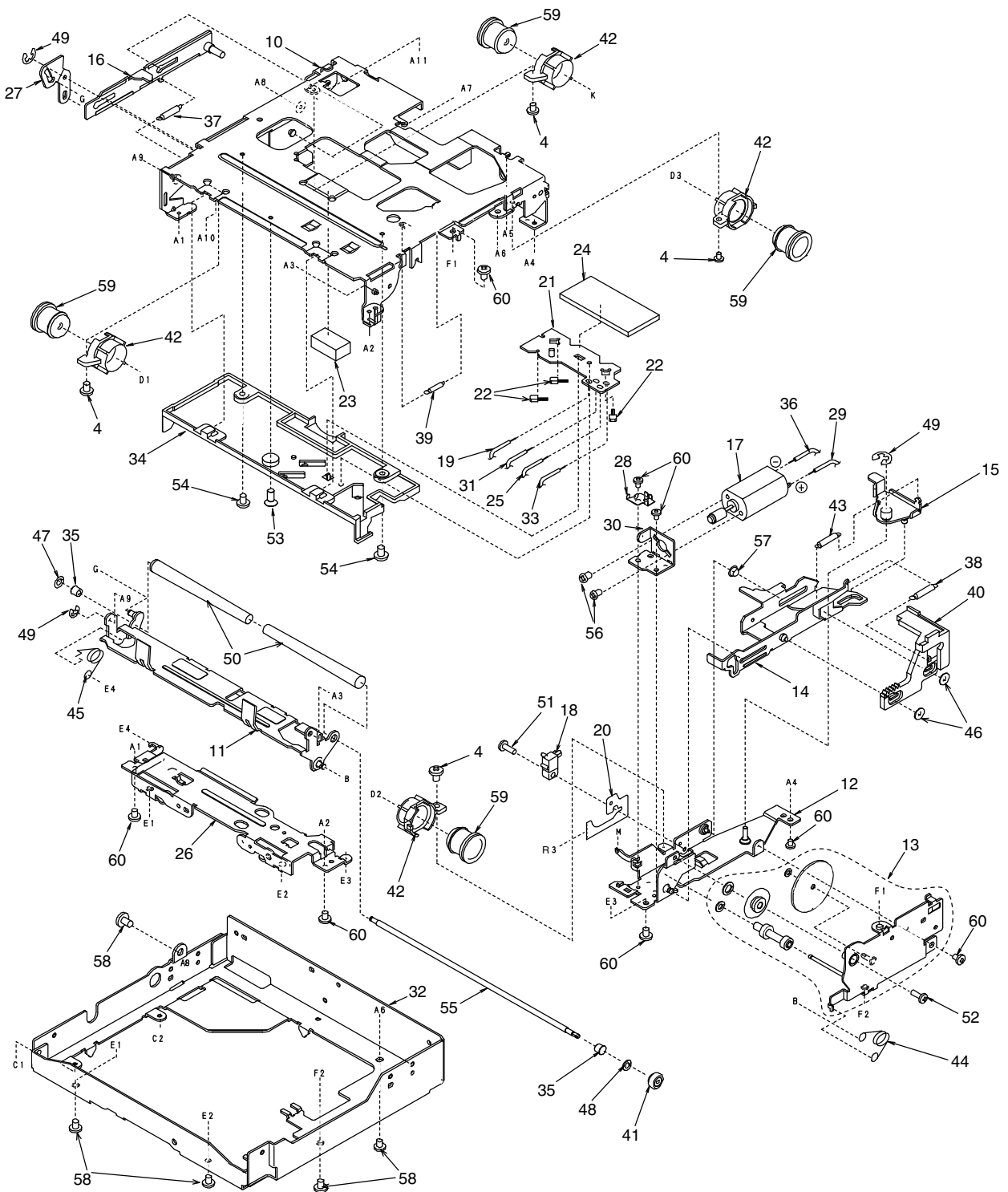


NO.	PART NO.	DESCRIPTION	Q'TY	NO.	PART NO.	DESCRIPTION	Q'TY
13	331-2272-00	TR HOLDER	1	26	039-1756-00	MAIN PWB (WITHOUT COMPONENT)	1
14	313-1712-00	HEAT SINK	1	27	345-8582-00	CUSHION RUBBER	1
15	816-2447-00	FLAT CABLE	1	28	714-2606-81	MACHINE SCREW(M2.6×6)	24
16	930-0796-05	TAPE MECHANISM	1	29	714-2612-81	MACHINE SCREW(M2.6×12)	2
17	929-0068-03 929-0068-83	CD MECHANISM CD MECHANISM	1	30	714-2303-81	MACHINE SCREW(M2.3×3)	6
18	074-1185-00	OUTLET SOCKET	1	31	076-0461-20	PLUG(20P)	1
19	051-2033-00	IC(TA8261AH)	1	32	347-2022-02	SHADE	1
20	074-1013-00	OUTLET SOCKET(12P)	1	33	347-5679-02	DOUBLE FACE	1
21	074-1186-18	OUTLET SOCKET(18P)	1	34	286-8153-38 286-9256-00	SETPLATE(PN-2356N) SETPLATE(PN-2356I)	1
22	076-0540-16	PLUG(16P)	1	35	880-1916D 880-1916F	TUNER PACK(FM/AM) TUNER PACK(FM/AM)	1
23	076-0540-12	PLUG(12P)	1	36	345-4138-00	RUBBER PARTS	1
24	076-0368-22	PLUG(22P)	1	37	345-8557-00	RUBBER PARTS	1
25	074-0898-22	OUTLET SOCKET(22P)	1				

CD mechanism section

※ The parts list is on page 10.



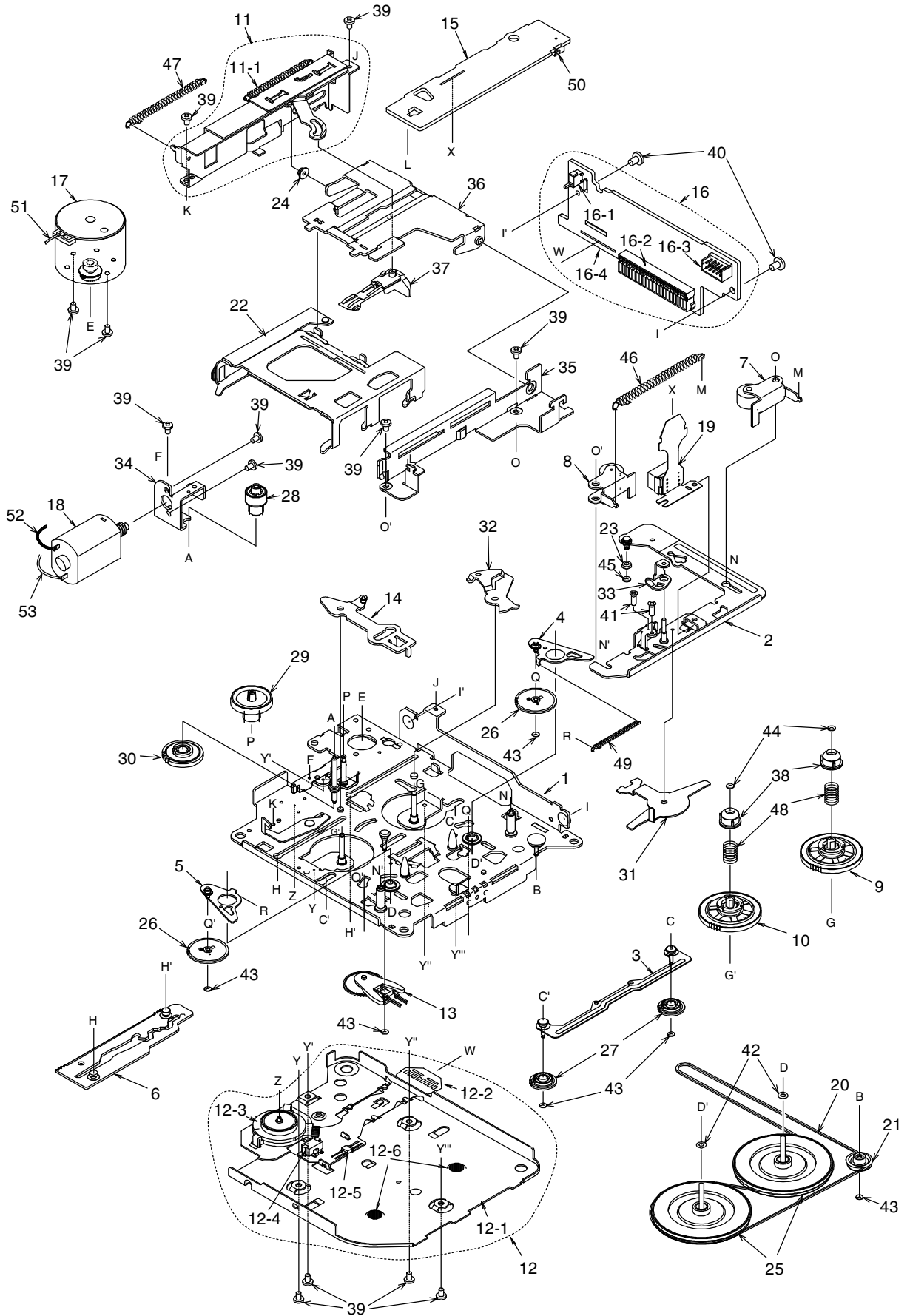


NO.	PART NO.	DESCRIPTION	Q'TY
1	968-0069-03	DRIVE UNIT ASSY	1
1-1	SMA-151-100	MOTOR ASSY(SPINDEL)	1
1-2	750-3098-00	L-LINK SPRING	1
1-3	716-1468-00	SCREW(M2×2.5)	2
1-4	714-2003-81	MACHINE SCREW(M2×3)	10
1-5	SMA-146-100	MOTOR ASSY(SLED)	1
1-6	969-0050-04	PICK UP UNIT	1
1-7	HBS-432-100	LS-GEAR ASSY	1
1-8	966-0447-23 966-0447-04	DR-PL-ASSY(-0068-03) DR-PL-ASSY(-0068-83)	1
1-9	966-0449-23 966-0449-02	CLAMP-LINK-ASSY(-0068-03) CLAMP-LINK-ASSY(-0068-83)	1
1-10	621-0205-02	CLAMPER RING	1
1-11	621-0251-03	LOCK LINK	1
1-12	620-0198-03	CLAMPER PLATE	1
1-13	966-0314-21 966-0314-01	STOP LINK-ASSY(-0068-03) STOP LINK-ASSY(-0068-83)	1
1-14	966-0448-21 966-0448-01	SIDE PL-ASSY(-0068-03) SIDE PL-ASSY(-0068-83)	1
1-15	621-0252-03	DISC STOPPER	1
1-16	620-0491-03	SPRING PLATE	1
1-17	966-0454-00	SCREW H-RACK-ASSY	1
1-18	621-0358-02	LS-HOLDER-F	1
1-19	013-7100-00	SWITCH(LIMIT)	1
1-20	621-0357-03	PICK UP GUIDE	1
1-21	621-0253-02	MOTOR HOLDER	1
1-22	621-0255-02	SECOND GEAR	1
1-23	622-1073-02	CLAMPER ROLLER	1
1-24	621-0359-02	LS-HOLDER-R	1
1-25	621-0375-00	SH-BASE	1
1-26	716-0675-00	SCREW(M2×5.5)	2
1-27	716-1555-00	WAVE SCREW(Φ2×8)	1
1-28	732-2004-11	SEMS SCREW(M2×4)	2
1-29	739-1735-17	PRECISION SCREW (M1.7×3.5)	2
1-30	620-0690-01	RATTLE PLATE	1
1-31	746-0761-00	WASHER	2
1-32	716-1733-00	SCREW(M1.7×2.3)	2
1-33	750-3099-00	ES-SPRING	1
1-34	750-3097-03	CLAMPER SPRING	1
1-35	816-2373-00	LEAD WIRE(WHT)	1
1-36	816-2372-00	LEAD WIRE(BLU)	1
2	039-1101-02	CD PWB ASSY (WITHOUT COMPONENT)	1
3	001-0563-00	LED	3
4	716-1670-00	SCREW(M2×4)	6
5	750-3202-00	CENTER SPRING-B	1
6	750-3096-01	DR-SPRING R	1
7	750-3164-00	DR-SPRING LR	1
8	750-3188-00	DR-SPRING F-B	1
9	750-3201-00	DR-SPRING F-R	1
10	966-0308-24 966-0308-10	CHASSIS-ASSY(-0068-03) CHASSIS-ASSY(-0068-83)	1
11	966-0309-22 966-0309-04	L-DISC-G-ASSY(-0068-03) L-DISC-G-ASSY(-0068-83)	1

NO.	PART NO.	DESCRIPTION	Q'TY
12	966-0310-21 966-0310-06	SHIFT-P-CH-ASSY(-0068-03) SHIFT-P-CH-ASSY(-0068-83)	1
13	HBS-430-100	GEAR PLATE ASSY	1
14	966-0312-21 966-0312-06	SHIFT-P-ASSY(-0068-03) SHIFT-P-ASSY(-0068-83)	1
15	966-0358-21 966-0358-01	DRIVE-L-PL-ASSY(-0068-03) DRIVE-L-PL-ASSY(-0068-83)	1
16	966-0359-21 966-0359-03	SIDE-L-PL-ASSY(-0068-03) SIDE-L-PL-ASSY(-0068-83)	1
17	SMA-147-100	MOTOR ASSY(LOADING)	1
18	013-3879-01	CHUCKING SWITCH	1
19	804-4910-60	VINYL-COAT-WIRE(YEL)	1
20	039-0586-01	CHUCKING SWITCH PWB (WITHOUT COMPONENT)	1
21	039-0588-01	SENSOR PWB (WITHOUT COMPONENT)	1
22	060-0252-01	PHOTO-TR	3
23	345-7513-01	CLAMPER SHEET	1
24	345-7514-00	SENSOR PWB SHEET	1
25	802-4910-60	VINYL-COAT-WIRE(RED)	1
26	620-0485-20	FRONT PLATE	1
27	620-0488-20	S-L-LINK PLATE	1
28	620-0489-02	MOTOR PLATE	1
29	802-4904-60	VINYL-COAT-WIRE(RED)	1
30	620-0492-20	MOTOR BRACKET	1
31	801-4910-60	VINYL-COAT-WIRE(BRN)	1
32	620-0697-02	CD-MECH-BRKT	1
33	800-4910-60	VINYL-COAT-WIRE(BLK)	1
34	621-0402-02	U-DISC GUIDE-F	1
35	621-0243-02	ROLLER SLEEVE	2
36	800-4904-60	VINYL-COAT-WIRE(BLK)	1
37	750-3189-00	SIDE-L-SPRING	1
38	750-3098-00	L-LINK SPRING	1
39	750-3094-00	S-ARM SPRING	1
40	621-0248-07	RACK GEAR	1
41	621-0249-02	ROLLER GEAR	1
42	621-0250-01	DAMPER HOLDER	4
43	750-3092-03	SHIFT SPRING	1
44	750-3091-03	ROADING-SPRING-R	1
45	750-3090-02	ROADING-SPRING-L	1
46	746-0877-02	WASHER	2
47	746-0762-00	WASHER	1
48	746-0712-03	WASHER	1
49	743-1500-20	E-RING	3
50	621-0258-03	LOADING ROLLER	2
51	716-1742-00	SCREW(M2×5)	1
52	716-1704-00	SCREW(M2×7)	1
53	716-1677-00	SCREW(M2×5)	1
54	716-1507-00	SCREW(M2×3)	2
55	622-1072-05	ROLLER SHAFT	1
56	716-1468-00	SCREW(M2×2.5)	2
57	622-1219-01	SHIFT ROLLER	1
58	714-2603-81	SCREW(M2.6×3)	5
59	629-0058-00	DAMPER-VA	4
60	714-2003-81	SCREW(M2×3)	8

Tape mechanism section

※ The parts list is on page 12.



NO.	PART NO.	DESCRIPTION	Q'TY	NO.	PART NO.	DESCRIPTION	Q'TY
1	960-4294-14	DECK PLATE ASSY	1	21	604-0046-00	TENSION PULLEY	1
2	960-4261-05	HEAD PLATE ASSY	1	22	606-0101-08	PACK GUIDE	1
3	960-4262-03	FF/REW-P ASSY	1	23	610-0342-01	HEAD P-ROLLER	1
4	960-4263-03	IDLER-P-ASSY L	1	24	610-0343-00	GUIDE A-ROLLER	1
5	960-4264-03	IDLER-P-ASSY R	1	25	611-0091-02	FLYWHEEL	2
6	960-4266-05	MODE PLATE ASSY	1	26	613-0662-00	IDLER GEAR	2
7	960-4269-05	ROLLER ASSY F	1	27	613-0286-02	FF/REW GEAR	2
8	960-4270-05	ROLLER ASSY R	1	28	613-0288-01	HELICAL GEAR	1
9	960-4348-03	REEL ASSY F	1	29	613-0289-01	GEAR A	1
10	960-4349-03	REEL ASSY R	1	30	613-0337-00	POWER GEAR	1
11	960-4298-09	EJECT SUB ASSY	1	31	630-2597-01	CHANGE LINK	1
11-1	750-2948-01	SWITCH PLATE SPRING	1	32	630-2598-05	EJECT LINK	1
12	960-4338-09	BOTTOM SUB ASSY	1	33	630-2600-01	ADJUST LINK	1
12-1	960-4295-02	BOTTOM P-ASSY	1	34	630-2601-02	MOTOR PLATE	1
12-2	099-9926-01	BOTTOM PWB (WITHOUT COMPONENT)	1	35	630-2626-06	PWB FRAME	1
12-3	013-3951-32	SWITCH(MODE)	1	36	630-2605-02	GUIDE ARM	1
12-4	013-3953-01	SWITCH(METAL)	1	37	631-1992-02	PACK STOPPER	1
12-5	051-1776-00	IC	1	38	631-1993-01	SLIDE BUSH	2
12-6	746-0767-00	WASHER	2	39	716-0484-00	SCREW(M2×2.5)	13
13	960-4282-06	DETECT SUB ASSY	1	40	716-1676-00	PWB SCREW(M2.6×6)	2
14	960-4301-02	PLAY LINK ASSY	1	41	716-0833-10	SCREW(M2×5.6)	2
15	039-1436-00	SIDE PWB (WITHOUT COMPONENT)	1	42	746-0624-00	WASHER	2
16	990-0713-00	REAR PWB ASSY (WITH COMPONENT)	1	43	746-0724-00	WASHER	6
16-1	013-3906-00	SWITCH(TAPE IN)	1	44	746-0761-00	WASHER	2
16-2	074-1104-20	OUTLET SOCKET(20P)	1	45	746-0762-00	WASHER	1
16-3	076-0368-10	PLUG(10P)	1	46	750-2946-02	PINCH SPRING	1
16-4	039-0489-00	REAR PWB (WITHOUT COMPONENT)	1	47	750-2947-03	EJECT P-SPRING	1
17	SMA-168-100	MAIN MOTOR ASSY	1	48	750-2949-00	SLIDE SPRING	2
18	SMA-169-100	POWER MOTOR ASSY	1	49	750-3017-02	IDLER P-SPRING	1
19	011-0328-01	HEAD	1	50	074-0898-10	OUTLET SOCKET(10P)	1
20	602-0118-00	BELT	1	51	802-4911-60	WIRE(RED)	1
				52	806-4914-60	WIRE(BLUE)	1
				53	809-4914-60	WIRE(WHITE)	1

■ ELECTRICAL PARTS LIST

Note) Several different parts of the same reference number are alternative parts.
One of those parts is used in the set.

Main PWB section(B1)

REF No.	PART No.	DESCRIPTION	REF No.	PART No.	DESCRIPTION	REF No.	PART No.	DESCRIPTION
ANT101	092-0702-00	ANT RECEPTACLE	C150	178-1042-78	0.1 μF	C222	168-2712-05	270pF
BL102	880-1916D	AM/FM TUNER (2356N)	C151	178-1052-78	1 μF	C223	168-2712-05	270pF
BL102	880-1916F	AM/FM TUNER (2356I)	C200	042-0427-02	16V33 μF	C224	042-0562-17	16V10 μF
C107	168-1042-78	16V 0.1 μF	C202	178-1842-78	0.18 μF	C225	042-0562-17	16V10 μF
C110	166-1007-00	10pF CH	C203	042-0562-36	50V1 μF	C226	178-3332-78	0.033 μF
C112	043-0277-01	0.022 μF	C204	042-0562-36	50V1 μF	C227	042-0562-36	50V1 μF
C113	182-1073-22	10V100 μF	C205	042-0562-36	50V1 μF	C228	178-1242-78	0.12 μF
C116	182-1073-22	10V100 μF	C206	042-0562-36	50V1 μF	C229	178-1242-78	0.12 μF
C117	182-1073-22	10V100 μF	C207	178-1842-78	0.18 μF	C230	042-0562-36	50V1 μF
C118	168-1042-78	16V 0.1 μF	C208	042-0562-36	50V1 μF	C250	168-1022-05	1000pF
C120	166-1201-00	12pF CH	C209	042-0562-36	50V1 μF	C251	168-1022-05	1000pF
C123	168-3932-78	0.039 μF	C210	042-0562-17	16V10 μF	C252	168-1022-05	1000pF
C124	168-3932-78	0.039 μF	C211	042-0562-17	16V10 μF	C253	168-2232-05	0.022 μF
C130	166-1011-00	100pF CH	C212	042-0562-17	16V10 μF	C255	163-1063-30	16V10 μF
C131	166-1011-00	100pF CH	C213	042-0562-17	16V10 μF	C256	163-1063-30	16V10 μF
C147	178-1832-78	0.018 μF	C214	042-0562-36	50V1 μF	C257	163-1063-30	16V10 μF
C148	166-1511-00	150pF CH(2356I)	C215	042-0562-36	50V1 μF	C258	163-1063-30	16V10 μF
C148	119-0000-00	1/16W 0Ω JW(2356N)	C217	178-1842-78	0.18 μF	C300	042-0562-17	16V10 μF
			C218	178-1842-78	0.18 μF	C301	042-0562-17	16V10 μF
			C220	168-1032-05	0.01 μF	C302	042-0562-17	16V10 μF
			C221	168-1032-05	0.01 μF	C303	042-0562-17	16V10 μF

REF No.	PART No.	DESCRIPTION	REF No.	PART No.	DESCRIPTION	REF No.	PART No.	DESCRIPTION
C305	166-4711-00	470pF CH(2356I)	C464	166-1011-00	100pF CH	CCT411	050-0140-54	1kΩ × 4
C305	168-1022-05	1000pF(2356N)	C465	168-1042-78	16V 0.1 μF	CCT412	050-0140-54	1kΩ × 4
C306	166-4711-00	470pF CH(2356I)	C467	166-1011-00	100pF CH	CCT413	050-0140-54	1kΩ × 4
C306	168-1022-05	1000pF(2356N)	C468	166-1011-00	100pF CH	CCT414	050-0140-54	1kΩ × 4
C308	166-2201-00	22pF CH	C473	178-2242-78	0.22 μF	CCT415	050-0140-54	1kΩ × 4
C309	166-2201-00	22pF CH	C474	178-2242-78	0.22 μF	D250	001-0589-00	1SS145
C310	168-2222-05	2200pF(2356I)	C475	178-4742-78	0.47 μF	D251	001-0589-00	1SS145
C311	168-2222-05	2200pF(2356I)	C479	168-1022-05	1000pF	D252	001-0421-38	MTZJ36
C314	166-2201-00	22pF CH	C500	172-1041-11	0.1 μF	D253	001-0528-44	MA8082-M
C315	166-2201-00	22pF CH	C501	042-0571-00	16V2200 μF	D401	001-0517-00	1SS355
C328	178-1042-78	0.1 μF(2356I)	C503	042-0571-00	16V2200 μF	D401	001-0516-00	MA111
C328	178-6832-78	0.068 μF(2356N)	C505	168-2222-05	2200pF	D402	001-4200-45	UZL-9M1
C329	178-1842-78	0.18 μF (2356I)	C506	168-2222-05	2200pF	D402	001-0503-45	HZS9B1L
C329	178-4742-78	0.47 μF(2356N)	C507	168-2222-05	2200pF	D403	001-0517-00	1SS355
C330	178-1842-78	0.18 μF (2356I)	C508	168-2222-05	2200pF	D403	001-0516-00	MA111
C330	178-4742-78	0.47 μF(2356N)	C510	168-2222-05	2200pF	D404	001-0400-38	HZS7 B1
C331	178-1042-78	0.1 μF(2356I)	C511	168-2222-05	2200pF	D404	001-0376-39	MTZJ6.8C
C331	178-6832-78	0.068 μF(2356N)	C512	168-2222-05	2200pF	D404	001-0377-38	MA4068M
C332	178-3932-78	0.039 μF(2356I)	C513	168-2222-05	2200pF	D405	001-0377-48	MA4091H
C332	178-5642-78	0.56 μF(2356N)	C514	168-2222-05	2200pF	D405	001-0376-49	MTZJ10A
C333	178-3932-78	0.039 μF(2356I)	C516	183-1053-62	50V1 μF	D405	001-0400-48	HZS9.1JB3
C333	178-1042-78	0.1 μF(2356N)	C517	183-1063-32	16V10 μF	D406	001-0356-00	1SS184
C334	178-3932-78	0.039 μF(2356I)	C518	172-1041-11	0.1 μF	D406	001-0354-00	MA151WK
C334	178-1042-78	0.1 μF(2356N)	C520	042-0548-03	16V100 μF	D407	001-0377-56	MA4120M
C335	178-3932-78	0.039 μF(2356I)	C521	042-0548-03	16V100 μF	D408	001-0377-10	MA4030L
C335	178-5642-78	0.56 μF(2356N)	C522	042-0416-02	10V10 μF TAN	D408	001-0346-13	MTZJ T-77 2.7B
C336	178-3932-78	0.039 μF(2356I)	C523	178-1042-05	0.1 μF	D408	001-0400-17	HZS3 B1
C336	178-1032-78	0.01 μF(2356N)	C524	184-1073-32	16V100 μF	D409	001-0517-00	1SS355
C337	178-1532-78	0.015 μF(2356I)	C600	178-6832-78	0.068 μF(2356I)	D409	001-0516-00	MA111
C338	178-1532-78	0.015 μF(2356I)	C600	178-5632-78	0.056 μF(2356N)	D413	001-0516-00	MA111(2356I)
C339	178-3932-78	0.039 μF(2356I)	C601	178-6832-78	0.068 μF(2356I)	D413	001-0517-00	1SS355(2356I)
C339	178-1032-78	0.01 μF(2356N)	C601	178-5632-78	0.056 μF(2356N)	D415	001-0516-00	MA111
C340	178-1532-78	0.015 μF(2356I)	C602	178-3332-78	0.033 μF(2356I)	D415	001-0517-00	1SS355
C340	178-1822-78	1800pF(2356N)	C602	178-5632-78	0.056 μF(2356N)	D416	001-0517-00	1SS355
C341	178-2732-78	0.027 μF(2356I)	C603	178-3332-78	0.033 μF(2356I)	D416	001-0516-00	MA111
C342	178-2732-78	0.027 μF(2356I)	C603	178-5632-78	0.056 μF(2356N)	D417	001-0517-00	1SS355
C343	178-1532-78	0.015 μF(2356I)	C604	168-1032-05	0.01 μF	D417	001-0516-00	MA111
C343	178-1822-78	1800pF(2356N)	C605	178-6832-78	0.068 μF(2356I)	D418	001-0517-00	1SS355
C356	166-2201-00	22pF CH	C605	178-5632-78	0.056 μF(2356N)	D418	001-0516-00	MA111
C400	168-1042-78	16V 0.1 μF	C606	178-3332-78	0.033 μF(2356I)	D419	001-0517-00	1SS355
C401	168-1042-78	16V 0.1 μF	C606	178-5632-78	0.056 μF(2356N)	D419	001-0516-00	MA111
C403	168-1042-78	16V 0.1 μF	C607	168-2232-05	0.022 μF	D420	001-0516-00	MA111
C404	184-2273-32	16V220 μF	C608	168-1032-05	0.01 μF	D420	001-0517-00	1SS355
C406	042-0562-17	16V10 μF	C609	178-6832-78	0.068 μF(2356I)	D421	001-0516-00	MA111
C407	042-0458-00	50V1 μF	C609	178-5632-78	0.056 μF(2356N)	D421	001-0517-00	1SS355
C408	168-1022-05	1000pF	C610	178-3332-78	0.033 μF(2356I)	D422	001-0516-00	MA111
C409	178-1042-05	0.1 μF	C610	178-5632-78	0.056 μF(2356N)	D422	001-0517-00	1SS355
C410	183-4763-32	16V47 μF	C612	172-2241-11	0.22 μF	D423	001-0516-00	MA111
C411	178-1042-78	0.1 μF	C613	172-2241-11	0.22 μF	D423	001-0517-00	1SS355
C412	178-1042-78	0.1 μF	C614	172-2241-11	0.22 μF	D424	001-0516-00	MA111
C413	166-1201-00	12pF CH(2356N)	C615	172-2241-11	0.22 μF	D424	001-0517-00	1SS355
C414	042-0505-82	16V10 μF	C617	042-0563-37	50V2.2 μF	D503	001-0330-00	1SS119(2356I)
C415	166-1011-00	100pF CH	C619	183-1053-62	50V1 μF	D503	001-0294-00	1SS133(2356I)
C416	166-1201-00	12pF CH	C903	166-2201-00	22pF CH	D504	001-2015-00	RL253
C417	166-1011-00	100pF CH	C904	166-2201-00	22pF CH	D505	001-0626-00	1A2
C418	178-1045-79	0.1 μF	C905	166-2201-00	22pF CH	D505	001-0466-00	S5688B
C421	042-0548-01	10V100 μF	C906	166-2201-00	22pF CH	D507	001-0377-34	MA4062L
C423	166-1011-00	100pF CH	C911	166-2201-00	22pF CH	D507	001-0400-34	HZS6C1
C424	166-1011-00	100pF CH	C912	166-2201-00	22pF CH	D507	001-0376-34	MTZJ6.2A
C425	166-1011-00	100pF CH	C913	166-2201-00	22pF CH	D509	001-0466-00	S5688B
C426	166-1011-00	100pF CH	C914	166-2201-00	22pF CH	D509	001-0626-00	1A2
C427	166-3301-00	33pF CH	C915	166-2201-00	22pF CH	D510	001-0466-00	S5688B
C429	168-1042-78	16V 0.1 μF	C916	166-2201-00	22pF CH(2356I)	D510	001-0626-00	1A2
C431	183-4763-12	6.3V47 μF	C917	166-2201-00	22pF CH(2356I)	IC200	051-5012-00	LC75386
C432	168-1042-78	16V 0.1 μF	C918	166-2201-00	22pF CH	IC252	051-1834-00	LM2936
C436	042-0562-20	16V47 μF	C920	166-2201-00	22pF CH	IC300	051-3019-90	NJM2060V
C439	042-0562-17	16V10 μF	C921	166-2201-00	22pF CH	IC302	051-3019-90	NJM2060V
C444	178-2242-78	0.22 μF	C922	166-2201-00	22pF CH	IC303	051-3019-90	NJM2060V
C452	183-4753-52	35V4.7 μF	C923	166-2201-00	22pF CH	IC400	051-1014-10	TA7291S
C457	183-4753-52	35V4.7 μF	CCT400	050-0122-00	10kΩ × 4 J	IC402	052-1167-00	μPD17718GC-538-3B9
C460	042-0548-02	10V220 μF	CCT403	050-0140-54	1kΩ × 4	IC404	051-3020-90	NJM4565V
C461	042-0548-01	10V100 μF	CCT406	050-0140-54	1kΩ × 4	IC600	051-3019-90	NJM2060V
C462	168-1022-05	1000pF	CCT409	050-0140-54	1kΩ × 4	IC601	051-2033-00	TA8261H
C463	184-2273-32	16V220 μF	CCT410	050-0140-54	1kΩ × 4			

REF No.	PART No.	DESCRIPTION	REF No.	PART No.	DESCRIPTION	REF No.	PART No.	DESCRIPTION
J250	074-1013-00	12P	Q424	125-2031-02	MUN2211	R309	119-1041-10	1/16W 100kΩ
J400	074-1186-18	18P	Q424	125-2004-02	RN1402			(2356N)
J500	074-0898-22	22P-SOCKET	Q424	125-2020-02	DTC114EK	R310	119-0000-00	1/16W 0Ω
J501	074-1185-00	16P	Q424	125-2005-01	UN2211			JW(2356I)
L102	010-2003-04	COIL	Q500	103-1858-00	2SD1858	R310	119-1041-10	1/16W 100kΩ
L103	117-0000-00	1/10W 0Ω JW	Q501	125-9002-02	RN4602			(2356N)
L105	117-0000-00	1/10W 0Ω JW	Q501	125-9003-02	IMD3	R312	119-1031-10	1/16W 10kΩ
L106	117-0000-00	1/10W 0Ω JW	Q502	100-1048-00	2SA1048	R313	119-1031-10	1/16W 10kΩ
L109	010-2198-55	0.33 μH	Q502	100-1175-00	2SA1175	R314	119-4721-10	1/16W 4.7kΩ
L110	117-0000-00	1/10W 0Ω JW	Q503	103-0601-00	2SD601A	R315	119-4721-10	1/16W 4.7kΩ
L111	117-0000-00	1/10W 0Ω JW	Q503	102-2712-51	2SC2712G,L	R316	119-2221-10	1/16W 2.2kΩ(2356I)
L112	117-0000-00	1/10W 0Ω JW	Q503	102-2412-50	2SC2412K-R.S	R317	119-2221-10	1/16W 2.2kΩ(2356I)
L113	117-0000-00	1/10W 0Ω JW	Q504	103-0601-00	2SD601A	R320	119-4721-10	1/16W 4.7kΩ
L114	117-0000-00	1/10W 0Ω JW	Q504	102-2712-51	2SC2712G,L	R321	119-4721-10	1/16W 4.7kΩ
L151	111-1801-91	1/4WS 18Ω	Q504	102-2412-50	2SC2412K-R.S	R322	119-1031-10	1/16W 10kΩ
L400	010-2230-76	22 μH	Q512	101-0709-00	2SB709A-Q.R.S	R323	119-1031-10	1/16W 10kΩ
L401	010-2230-76	22 μH			(2356I)	R324	119-2221-10	1/16W 2.2kΩ
L402	117-0000-00	1/10W 0Ω JW	Q513	100-1359-00	2SA1359(2356I)	R325	119-2221-10	1/16W 2.2kΩ
P400	076-0461-20	20P	Q514	125-9003-02	IMD3(2356N)	R326	119-2221-10	1/16W 2.2kΩ
P401	076-0368-22	PLUG(22P)	Q515	102-2712-51	2SC2712G,L(2356I)	R327	119-2221-10	1/16W 2.2kΩ
P402	076-0540-12	12P	Q515	103-0601-00	2SD601A(2356I)	R348	119-2721-10	1/16W 2.7kΩ(2356I)
P403	076-0540-16	16P	Q515	102-2412-50	2SC2412K-R.S	R348	119-1521-10	1/16W 1.5kΩ
Q103	125-2005-01	UN2211			(2356I)			(2356N)
Q103	125-2004-02	RN1402	R108	119-2221-10	1/16W 2.2kΩ	R349	119-2021-10	1/16W 2kΩ
Q103	125-2020-02	DTC114EK	R109	119-1031-10	1/16W 10kΩ	R350	119-2021-10	1/16W 2kΩ
Q103	125-2031-02	MUN2211	R110	119-1031-10	1/16W 10kΩ	R351	119-2721-10	1/16W 2.7kΩ(2356I)
Q104	100-1298-00	2SA1298	R111	119-2221-10	1/16W 2.2kΩ	R351	119-1521-10	1/16W 1.5kΩ
Q105	125-2005-01	UN2211	R114	119-4721-10	1/16W 4.7kΩ			(2356N)
Q105	125-2004-02	RN1402	R118	111-1501-91	1/4WS 15Ω	R352	119-1511-10	1/16W 150Ω
Q105	125-2020-02	DTC114EK	R121	111-1001-91	1/4WS 10Ω	R353	119-1511-10	1/16W 150Ω
Q105	125-2031-02	MUN2211	R122	119-4741-10	1/16W 470kΩ	R354	119-1511-10	1/16W 150Ω
Q106	100-1298-00	2SA1298	R123	119-0000-00	1/16W 0Ω JW	R355	119-1511-10	1/16W 150Ω
Q109	125-2005-01	UN2211	R139	119-1021-10	1/16W 1kΩ	R356	119-1541-10	1/16W 150kΩ
Q109	125-2031-02	MUN2211	R140	119-1021-10	1/16W 1kΩ	R357	119-1541-10	1/16W 150kΩ
Q109	125-2020-02	DTC114EK	R162	119-0000-00	1/16W 0Ω JW	R358	119-1541-10	1/16W 150kΩ
Q109	125-2004-02	RN1402	R163	119-1021-10	1/16W 1kΩ	R359	119-1541-10	1/16W 150kΩ
Q251	125-9007-00	HN1C01F	R204	119-4721-10	1/16W 4.7kΩ	R360	119-1541-10	1/16W 150kΩ
Q251	125-9006-00	IMX1	R205	119-4721-10	1/16W 4.7kΩ	R361	119-1541-10	1/16W 150kΩ
Q252	103-0601-00	2SD601A	R210	119-4741-10	1/16W 470kΩ			(2356I)
Q252	102-2412-50	2SC2412K-R.S	R211	119-4731-10	1/16W 47kΩ	R362	119-1541-10	1/16W 150kΩ
Q252	102-2712-51	2SC2712G,L	R250	119-5621-10	1/16W 5.6kΩ			(2356I)
Q253	125-2031-02	MUN2211	R251	119-5621-10	1/16W 5.6kΩ	R363	119-1541-10	1/16W 150kΩ
Q253	125-2020-02	DTC114EK	R252	119-5631-10	1/16W 56kΩ	R364	119-1511-10	1/16W 150Ω
Q253	125-2004-02	RN1402	R253	119-5631-10	1/16W 56kΩ	R365	119-1511-10	1/16W 150Ω(2356I)
Q253	125-2005-01	UN2211	R254	119-1031-10	1/16W 10kΩ	R366	119-1511-10	1/16W 150Ω(2356I)
Q254	125-0024-02	MUN2111	R255	119-1031-10	1/16W 10kΩ	R367	119-1511-10	1/16W 150Ω
Q254	125-0001-01	UN2111	R256	119-5631-10	1/16W 56kΩ	R368	119-4721-10	1/16W 4.7kΩ(2356I)
Q254	125-0014-92	DTA114EK	R257	119-1031-10	1/16W 10kΩ	R368	119-1231-10	1/16W 12kΩ(2356N)
Q254	125-0002-02	RN2402	R258	119-1021-10	1/16W 1kΩ	R369	119-1621-15	1/16W 1.6kΩ(2356I)
Q400	103-2012-00	2SD2012	R259	119-4731-10	1/16W 47kΩ	R370	119-1621-15	1/16W 1.6kΩ(2356I)
Q402	125-9003-02	IMD3	R260	119-2231-10	1/16W 22kΩ	R371	119-4721-10	1/16W 4.7kΩ(2356I)
Q402	125-9002-02	RN4602	R261	119-4731-10	1/16W 47kΩ	R371	119-1231-10	1/16W 12kΩ(2356N)
Q403	102-2458-51	2SC2458Y.GR.BL	R266	117-3011-10	1/10W 300Ω	R400	119-1031-10	1/16W 10kΩ
Q404	102-2458-51	2SC2458Y.GR.BL	R267	117-3011-10	1/10W 300Ω	R401	119-1031-10	1/16W 10kΩ
Q405	100-1428-00	2SA1428	R268	032-0106-11	1/10W 22kΩ ±0.5%	R402	111-3311-91	1/4WS 330Ω
Q406	125-2020-06	DTC143ZK	R269	032-0106-11	1/10W 22kΩ ±0.5%	R403	119-2221-10	1/16W 2.2kΩ
Q406	125-2004-06	RN1406	R270	032-0106-11	1/10W 22kΩ ±0.5%	R404	119-2721-10	1/16W 2.7kΩ
Q407	103-2012-00	2SD2012	R271	032-0106-11	1/10W 22kΩ ±0.5%	R405	111-1221-91	1/4WS 1.2kΩ
Q412	103-1858-00	2SD1858	R291	119-5621-10	1/16W 5.6kΩ	R406	111-1221-91	1/4WS 1.2kΩ
Q415	125-9003-02	IMD3	R292	119-5621-10	1/16W 5.6kΩ	R407	119-4721-10	1/16W 4.7kΩ
Q415	125-9002-02	RN4602	R300	119-1531-10	1/16W 15kΩ(2356I)	R408	119-2221-10	1/16W 2.2kΩ
Q416	103-2012-00	2SD2012	R300	119-2231-10	1/16W 22kΩ(2356N)	R409	119-1031-10	1/16W 10kΩ
Q417	125-0019-03	DTA114TK	R301	119-1531-10	1/16W 15kΩ(2356I)	R410	119-1041-10	1/16W 100kΩ
Q417	125-0006-00	UN2110	R301	119-2231-10	1/16W 22kΩ(2356N)	R411	119-2221-10	1/16W 2.2kΩ
Q419	125-0006-00	UN2110	R302	119-1031-10	1/16W 10kΩ(2356I)	R412	119-0000-00	1/16W 0Ω JW
Q419	125-0019-03	DTA114TK	R302	119-2231-10	1/16W 22kΩ(2356N)	R413	119-4731-10	1/16W 47kΩ
Q422	125-2020-02	DTC114EK	R303	119-1031-10	1/16W 10kΩ(2356I)	R414	119-4731-10	1/16W 47kΩ
Q422	125-2005-01	UN2211	R303	119-2231-10	1/16W 22kΩ(2356N)	R415	119-1031-10	1/16W 10kΩ
Q422	125-2004-02	RN1402	R304	119-3331-10	1/16W 33kΩ	R416	119-1021-10	1/16W 1kΩ
Q422	125-2031-02	MUN2211	R305	119-3331-10	1/16W 33kΩ	R417	119-4721-10	1/16W 4.7kΩ
Q423	125-2020-02	DTC114EK	R306	119-3331-10	1/16W 33kΩ	R418	119-1021-10	1/16W 1kΩ
Q423	125-2031-02	MUN2211	R307	119-3331-10	1/16W 33kΩ	R419	119-1021-10	1/16W 1kΩ
Q423	125-2005-01	UN2211	R309	119-0000-00	1/16W 0Ω	R423	119-1041-10	1/16W 100kΩ
Q423	125-2004-02	RN1402			JW(2356I)	R424	119-1041-10	1/16W 100kΩ

REF No.	PART No.	DESCRIPTION	REF No.	PART No.	DESCRIPTION	REF No.	PART No.	DESCRIPTION
R425	119-1041-10	1/16W 100kΩ	R489	111-1001-91	1/4WS 10Ω	R604	119-1531-10	1/16W 15kΩ(2356I)
R426	119-4731-10	1/16W 47kΩ	R490	111-1001-91	1/4WS 10Ω	R604	119-6821-15	1/16W 6.8kΩ (2356N)
R427	119-4731-10	1/16W 47kΩ	R491	119-4741-10	1/16W 470kΩ	R605	119-1231-10	1/16W 12kΩ
R428	119-1031-10	1/16W 10kΩ	R492	119-1031-10	1/16W 10kΩ	R606	119-1031-10	1/16W 10kΩ
R431	111-3311-91	1/4WS 330Ω	R493	119-1031-10	1/16W 10kΩ	R607	119-1031-10	1/16W 10kΩ
R432	119-1041-10	1/16W 100kΩ	R494	119-1021-10	1/16W 1kΩ	R608	119-5131-15	1/16W 51kΩ
R436	117-1021-10	1/10W 1kΩ	R495	119-1021-10	1/16W 1kΩ	R609	119-5131-15	1/16W 51kΩ
R437	119-1031-10	1/16W 10kΩ	R496	119-1021-10	1/16W 1kΩ	R610	119-5131-15	1/16W 51kΩ
R438	119-4721-10	1/16W 4.7kΩ	R497	119-1021-10	1/16W 1kΩ	R611	119-5131-15	1/16W 51kΩ
R439	119-4721-10	1/16W 4.7kΩ	R498	119-1021-10	1/16W 1kΩ	R612	119-1031-10	1/16W 10kΩ
R440	119-1031-10	1/16W 10kΩ	R499	119-1021-10	1/16W 1kΩ	R613	119-1031-10	1/16W 10kΩ
R442	119-1031-10	1/16W 10kΩ	R500	111-1011-91	1/4WS 100Ω	R614	119-0000-00	1/16W 0Ω JW
R443	119-1021-10	1/16W 1kΩ	R501	176-4711-00	470pF CH	R615	119-7521-15	1/16W 7.5kΩ(2356I)
R444	119-1021-10	1/16W 1kΩ	R502	119-4721-10	1/16W 4.7kΩ	R615	119-9121-15	1/16W 9.1kΩ (2356N)
R445	119-1021-10	1/16W 1kΩ	R503	117-0000-00	1/10W 0Ω JW	R616	119-1531-10	1/16W 15kΩ(2356I)
R446	119-6831-10	1/16W 68kΩ	R505	119-3321-10	1/16W 3.3kΩ	R616	119-6821-15	1/16W 6.8kΩ (2356N)
R448	119-4721-10	1/16W 4.7kΩ	R506	119-1031-10	1/16W 10kΩ	R617	119-0000-00	1/16W 0Ω JW
R452	111-1011-91	1/4WS 100Ω	R508	117-1031-10	1/10W 10kΩ	R618	119-3031-15	1/16W 30kΩ(2356I)
R455	119-4731-10	1/16W 47kΩ	R511	119-1021-10	1/16W 1kΩ	R618	119-5631-15	1/16W 56kΩ(2356N)
R458	119-4731-10	1/16W 47kΩ	R512	119-1021-10	1/16W 1kΩ	R619	119-5131-15	1/16W 51kΩ(2356I)
R459	119-1041-10	1/16W 100kΩ	R518	119-4721-10	1/16W 4.7kΩ(2356I)	R619	119-4731-10	1/16W 47kΩ(2356N)
R460	119-4731-10	1/16W 47kΩ	R519	111-1221-91	1/4WS 1.2kΩ(2356I)	R625	119-0000-00	1/16W 0Ω JW
R461	119-4731-10	1/16W 47kΩ	R520	111-1221-91	1/4WS 1.2kΩ(2356I)	R626	119-1031-10	1/16W 10kΩ
R463	119-1021-10	1/16W 1kΩ	R521	111-5691-91	1/4WS 5.6Ω(2356I)	R627	119-1031-10	1/16W 10kΩ
R466	119-3311-10	1/16W 330Ω	R522	111-5691-91	1/4WS 5.6Ω(2356I)	R628	119-1031-10	1/16W 10kΩ
R467	119-3311-10	1/16W 330Ω	R523	111-8211-91	1/4WS 820Ω (2356N)	R629	119-1031-10	1/16W 10kΩ
R468	119-0000-00	1/16W 0Ω JW	R524	111-8211-91	1/4WS 820Ω (2356N)	R630	119-1031-10	1/16W 10kΩ
R471	119-1031-10	1/16W 10kΩ	R525	111-1531-91	1/4WS 15kΩ	R631	119-1031-10	1/16W 10kΩ
R472	119-4721-10	1/16W 4.7kΩ	R526	114-2291-11	1W 2.2Ω	R632	119-1031-10	1/16W 10kΩ
R475	119-4731-10	1/16W 47kΩ	R529	117-5611-10	1/10W 560Ω	R633	119-1031-10	1/16W 10kΩ
R476	119-4731-10	1/16W 47kΩ	R530	117-1031-10	1/10W 10kΩ	R638	119-0000-00	1/16W 0Ω JW
R479	119-4731-10	1/16W 47kΩ	R531	111-2201-91	1/4WS 22Ω	R705	119-2231-10	1/16W 22kΩ
R480	119-4731-10	1/16W 47kΩ	R601	119-3031-15	1/16W 30kΩ(2356I)	SUP100	060-0122-20	DSP-141N-S00B
R481	119-1021-10	1/16W 1kΩ	R602	119-5631-10	1/16W 56kΩ(2356N)	T500	009-0658-02	0.7mH
R482	119-4721-10	1/16W 4.7kΩ	R602	119-5131-15	1/16W 51kΩ(2356I)	TC400	004-1580-10	30pF(2356I)
R483	119-1021-10	1/16W 1kΩ	R602	119-4731-10	1/16W 47kΩ(2356N)	X400	061-3501-90	4.5MHz
R484	119-2211-10	1/16W 220Ω	R603	119-7521-15	1/16W 7.5kΩ(2356I)			
R485	119-1021-10	1/16W 1kΩ	R603	119-9121-15	1/16W 9.1kΩ (2356N)			
R486	119-4721-10	1/16W 4.7kΩ						
R487	111-1001-91	1/4WS 10Ω						
R488	111-1001-91	1/4WS 10Ω						

Switch PWB section(B2)

REF No.	PART No.	DESCRIPTION	REF No.	PART No.	DESCRIPTION	REF No.	PART No.	DESCRIPTION
C700	043-0206-61	0.1 μF F	PL704	017-0420-19	14V40mA	S708	013-6200-61	SKPLAB
C701	043-0206-63	0.022 μF F	PL705	017-0420-19	14V40mA	S709	013-6200-61	SKPLAB
C702	043-0206-63	0.022 μF F	R700	111-4741-91	1/4WS 470kΩ	S710	013-6200-60	SKPLAA
C703	043-0206-28	47pF SL	R701	111-1031-91	1/4WS 10kΩ	S711	013-6200-60	SKPLAA
IC700	051-6011-10	LC75741G	S700	013-6200-60	SKPLAA	S712	013-6200-60	SKPLAA
J700	074-1151-12	12P	S701	013-6200-60	SKPLAA	S713	013-6200-60	SKPLAA
J701	074-1151-16	16P	S702	013-6200-60	SKPLAA	S714	013-6200-61	SKPLAB
L700	010-2230-76	22 μH	S703	013-6200-60	SKPLAA	S716	013-6200-60	SKPLAA
PL700	017-0420-19	14V40mA	S704	013-6200-60	SKPLAA	S717	013-6200-61	SKPLAB(2356I)
PL701	017-0420-19	14V40mA	S705	013-6200-60	SKPLAA	VR700	016-0010-09	VR W/SHAFT
PL702	017-0420-19	14V40mA	S706	013-6200-60	SKPLAA			
PL703	017-0420-19	14V40mA	S707	013-6200-60	SKPLAA			

CD PWB section(B3):CD mechanism

REF No.	PART No.	DESCRIPTION	REF No.	PART No.	DESCRIPTION	REF No.	PART No.	DESCRIPTION
C1	178-1032-78	0.01 μF	C15	176-1007-00	10pF CH	C28	178-1042-78	0.1 μF
C2	178-1042-78	0.1 μF	C16	178-2212-78	220pF	C29	178-1042-78	0.1 μF
C3	178-1032-78	0.01 μF	C17	178-1032-78	0.01 μF	C30	178-6812-78	680pF
C4	182-4763-13	6.3V47 μF	C18	178-1042-78	0.1 μF	C31	176-1511-00	150pF CH
C5	178-1042-78	0.1 μF	C19	178-2212-78	220pF	C32	178-1042-78	0.1 μF
C6	182-4763-13	6.3V47 μF	C20	178-4745-79	0.47 μF	C33	176-1007-00	10pF CH
C7	178-1042-78	0.1 μF	C21	178-1032-78	0.01 μF	C34	176-1007-00	10pF CH
C8	176-1801-00	18pF CH	C22	178-2212-78	220pF	C35	178-6812-78	680pF
C9	176-2096-00	2pF CJ	C23	178-1042-78	0.1 μF	C36	176-1511-00	150pF CH
C10	182-1073-15	6.3V100 μF	C24	178-1522-78	1500pF	C37	178-1042-78	0.1 μF
C12	178-1042-78	0.1 μF	C25	178-4732-78	0.047 μF	C38	178-1042-78	0.1 μF
C13	178-1042-78	0.1 μF	C26	178-1042-78	0.1 μF	C39	182-1063-33	16V10 μF
C14	178-1042-78	0.1 μF	C27	178-1042-78	0.1 μF	C40	178-1042-78	0.1 μF

REF No.	PART No.	DESCRIPTION	REF No.	PART No.	DESCRIPTION	REF No.	PART No.	DESCRIPTION
C41	182-1063-33	16V10 μ F	R1	117-8231-10	1/10W 82k Ω	R24	117-1041-10	1/10W 100k Ω
C42	182-1063-33	16V10 μ F	R2	117-1031-10	1/10W 10k Ω	R25	117-4741-10	1/10W 470k Ω
C43	182-1063-33	16V10 μ F	R3	111-2711-91	1/4WS 270 Ω	R26	117-1231-10	1/10W 12k Ω
C44	182-1063-33	16V10 μ F	R4	117-1031-10	1/10W 10k Ω	R27	117-1231-10	1/10W 12k Ω
C45	182-1073-33	16V100 μ F	R5	117-1231-10	1/10W 12k Ω	R28	117-1231-10	1/10W 12k Ω
C48	178-2225-79	2200pF	R6	117-1031-10	1/10W 10k Ω	R29	117-4711-10	1/10W 470 Ω
D1	001-0563-00	GL380	R7	117-6821-10	1/10W 6.8k Ω	R30	117-1231-10	1/10W 12k Ω
D2	001-0563-00	GL380	R8	117-5631-10	1/10W 56k Ω	R31	117-1231-10	1/10W 12k Ω
D3	001-0563-00	GL380	R9	117-2231-10	1/10W 22k Ω	R32	117-1231-10	1/10W 12k Ω
D5	001-0528-32	MA8056-M	R10	117-1011-10	1/10W 100 Ω	R34	117-4731-10	1/10W 47k Ω
IC1	051-1014-10	TA7291S	R11	117-2201-10	1/10W 22 Ω	R35	117-1041-10	1/10W 100k Ω
IC2	051-6015-05	BA6392FP	R12	117-1041-10	1/10W 100k Ω	R36	117-1041-10	1/10W 100k Ω
IC3	051-1971-00	CXA1610M	R13	117-3331-10	1/10W 33k Ω	R37	117-1041-10	1/10W 100k Ω
IC4	051-6318-00	CXD2548R	R14	117-3631-10	1/10W 36k Ω	R38	117-4741-10	1/10W 470k Ω
IC5	052-5018-03	μ PD78002BGC-650-AB8	R15	117-1241-10	1/10W 120k Ω	R41	117-4741-10	1/10W 470k Ω
J1	074-1143-06	6P	R16	117-3631-10	1/10W 36k Ω	R42	117-4741-10	1/10W 470k Ω
J2	074-1138-17	17P	R17	117-1031-10	1/10W 10k Ω	R43	117-4741-10	1/10W 470k Ω
L1	010-2155-03	10 μ H	R18	117-1041-10	1/10W 100k Ω	R44	117-4741-10	1/10W 470k Ω
Q1	101-1237-50	2SB1237QR	R19	117-1051-10	1/10W 1M Ω	R45	117-4731-10	1/10W 47k Ω
Q3	103-1754-64	2SD1754A-P,Q	R20	117-1031-10	1/10W 10k Ω	R48	117-3911-10	1/10W 390 Ω
Q4	125-0002-02	RN2402	R21	117-3321-10	1/10W 3.3k Ω	X1	061-1087-50	16.9344MHz
Q5	125-2004-02	RN1402	R22	117-6821-10	1/10W 6.8k Ω	X2	060-0322-00	4.0MHz
			R23	117-1051-10	1/10W 1M Ω			

Sensor PWB section(B4):CD mechanism

REF No.	PART No.	DESCRIPTION	REF No.	PART No.	DESCRIPTION	REF No.	PART No.	DESCRIPTION
Q101	060-0252-01	PT4850F	Q102	060-0252-01	PT4850F	Q103	060-0252-01	PT4850F

Chucking SW PWB section(B5):CD mechanism

REF No.	PART No.	DESCRIPTION
S2	013-3879-01	SPPB12

Limit SW PWB section(B6):CD mechanism

REF No.	PART No.	DESCRIPTION
S1	013-7100-00	SPPB11

Side PWB section(B7):Tape mechanism

REF No.	PART No.	DESCRIPTION	REF No.	PART No.	DESCRIPTION	REF No.	PART No.	DESCRIPTION
C1	178-5612-78	560pF	C18	183-4753-51	35V4.7 μ F	R10	117-1131-10	1/10W 11k Ω
C2	178-5612-78	560pF	C20	176-2201-50	22pFCH	R11	117-1531-10	1/10W 15k Ω
C3	178-5612-78	560pF	C21	176-2201-50	22pFCH	R12	117-1531-10	1/10W 15k Ω
C4	178-5612-78	560pF	C22	176-2201-50	22pFCH	R13	032-0098-03	1/10W 18k Ω \pm 2%
C5	172-1231-11	0.012 μ F	C23	176-2201-50	22pFCH	R14	117-3331-10	1/10W 33k Ω
C6	172-1231-11	0.012 μ F	IC1	051-1777-00	HA12163	R15	117-1831-10	1/10W 18k Ω
C7	172-4731-11	0.047 μ F	L1	010-2198-26	0.047 μ H	R16	117-1841-10	1/10W 180k Ω
C8	172-4731-11	0.047 μ F	L2	010-2198-26	0.047 μ H	R17	117-4731-10	1/10W 47k Ω
C9	183-1053-61	50V1 μ F	R1	117-2731-10	1/10W 27k Ω	R18	117-1241-10	1/10W 120k Ω
C10	178-5612-78	560pF	R2	117-2731-10	1/10W 27k Ω	R19	117-2231-10	1/10W 22k Ω
C11	178-5612-78	560pF	R3	117-2731-10	1/10W 27k Ω	R20	117-2231-10	1/10W 22k Ω
C12	178-1042-78	0.1 μ F	R4	117-2731-10	1/10W 27k Ω	R21	117-2231-10	1/10W 22k Ω
C13	178-1042-78	0.1 μ F	R5	117-1811-10	1/10W 180 Ω	R22	117-1031-10	1/10W 10k Ω
C14	178-4722-78	4700pF	R6	117-1811-10	1/10W 180 Ω	R23	117-2231-10	1/10W 22k Ω
C15	183-2263-31	16V22 μ F	R7	117-3341-10	1/10W 330k Ω	VR1	012-4431-06	10k Ω
C16	178-1032-78	0.01 μ F	R8	117-3341-10	1/10W 330k Ω	VR2	012-4431-06	10k Ω
C17	183-1043-61	50V0.1 μ F	R9	117-1131-10	1/10W 11k Ω			

Bottom PWB section(B8):Tape mechanism

REF No.	PART No.	DESCRIPTION	REF No.	PART No.	DESCRIPTION	REF No.	PART No.	DESCRIPTION
IC2	051-1776-00	NJL5801K	SW1	013-3953-01	SPPB32	SW2	013-3951-32	MODE SWITCH

Rear PWB section(B9):Tape mechanism

REF No.	PART No.	DESCRIPTION	REF No.	PART No.	DESCRIPTION
P5	076-0368-10	10P	R24	111-5611-91	1/4WS 560 Ω
P6	074-1104-20	20P	SW3	013-3906-00	SPPB51