

2. EXPLODED VIEWS AND PARTS LIST

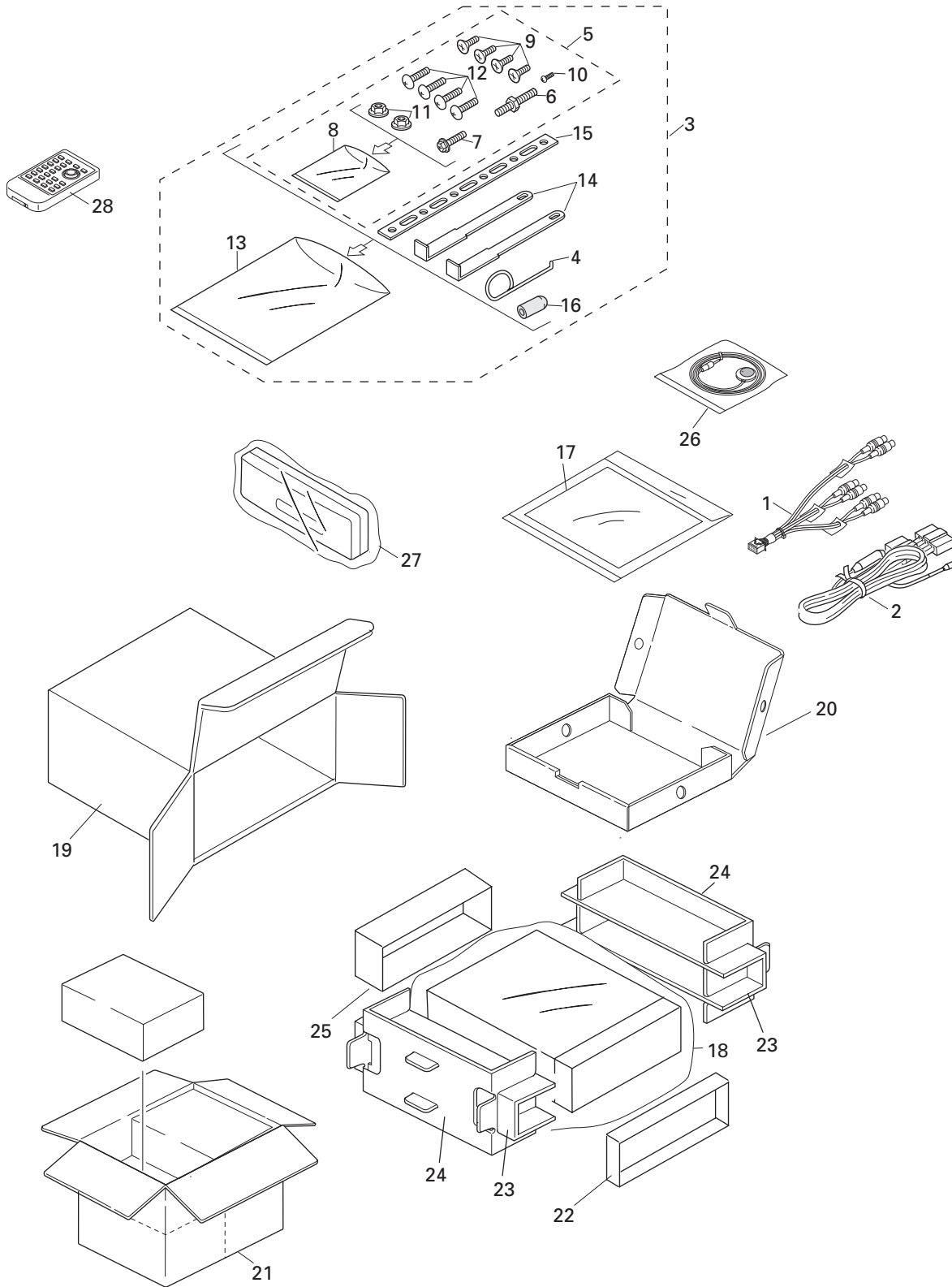
NOTES : • Parts marked by "*" are generally unavailable because they are not in our Master Spare Parts List.

• Screw adjacent to ▽ mark on the product are used for disassembly.

• For the applying amount of lubricants or glue, follow the instructions in this manual.

(In the case of no amount instructions, apply as you think it appropriate.)

2.1 PACKING(DEH-P860MP/XN/UC,DEH-P8600MP/XN/UC)



(1) PACKING(DEH-P860MP/XN/UC,DEH-P8600MP/XN/UC) SECTION PARTS LIST

<u>Mark No.</u>	<u>Description</u>	<u>Part No.</u>	<u>Mark No.</u>	<u>Description</u>	<u>Part No.</u>
1	Cord Assy	See Contrast table(2)	17-2	Owner's Manual	See Contrast table(2)
2	Cord Assy	CDE7701	17-3	Installation Manual	See Contrast table(2)
3	Accessory Assy	CEA4302	* 17-4	Causion Card	CRP1308
4	Spring	CBH1650			
5	Screw Assy	CEA4303	17-5	Causion Card	CRP1310
			* 17-6	Warranty Card	See Contrast table(2)
6	Screw	CBA1650	* 17-7	Card	See Contrast table(2)
7	Bolt(M5x16)	CBA1783	18	Polyethylene Bag	CEG1173
* 8	Polyethylene Bag	CEG-127	19	Carton	See Contrast table(2)
9	Screw	CRZ50P090FTC			
10	Screw	JPZ20P060FZK	20	Sub Carton	CHG5195
			21	Contain Box	See Contrast table(2)
11	Nut	NF50FTC	22	Protector	CHP2546
12	Screw	TRZ50P080FTC	23	Protector	CHP2797
* 13	Polyethylene Bag	CEG-158	24	Protector	CHP2798
14	Handle	CNC5395			
15	Strap	CNC5402	25	Protector	CHP2812
			26	Microphone Assy	CPM1054
16	Bush	CNV3930	27	Case Assy	CXB3520
17-1	Polyethylene Bag	CEG1116	28	Remote Control Unit	CXC2665

(2) CONTRAST TABLE

DEH-P860MP/XN/UC and DEH-P8600MP/XN/UC are constructed the same except for the following:

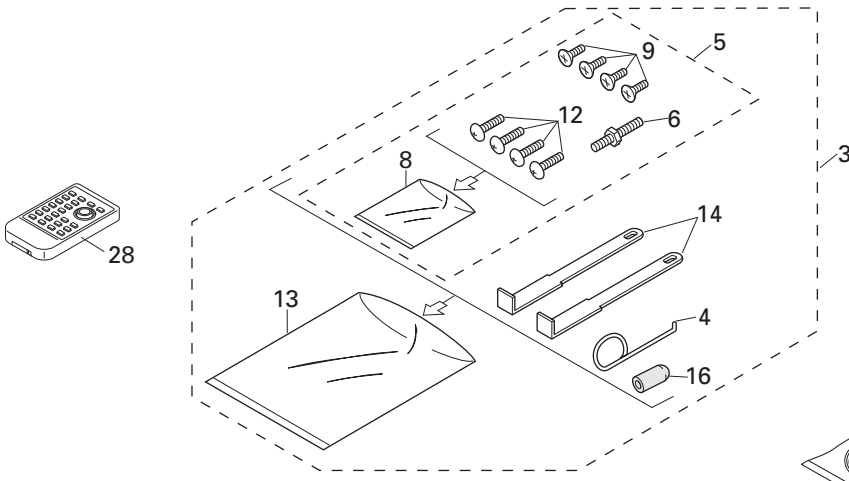
<u>Mark</u>	<u>NO</u>	<u>Description</u>	<u>DEH-P860MP/XN/UC</u>	<u>DEH-P8600MP/XN/UC</u>
	1	Cord Assy	CDE7436	CDE7437
	17-2	Owner's Manual	CRD3828	CRD3830
	17-3	Installation Manual	CRD3829	CRD3831
*	17-6	Warranty Card	CRY1070	Not used
*	17-7	Card	Not used	ARY1048
	19	Carton	CHG5194	CHG5193
	21	Contain Box	CHL5194	CHL5193

Owner's Manual,Installation Manual

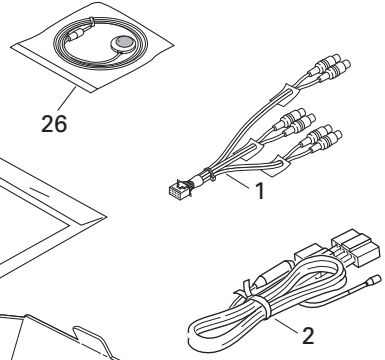
<u>Part No.</u>	<u>Language</u>
CRD3828	English, French
CRD3829	English, French
CRD3830	English, French
CRD3831	English, French

2.2 PACKING(DEH-P8650MP/XN/ES)

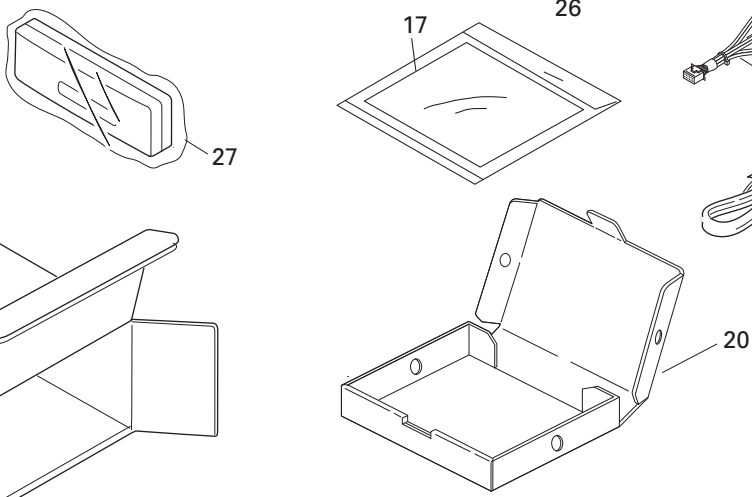
A



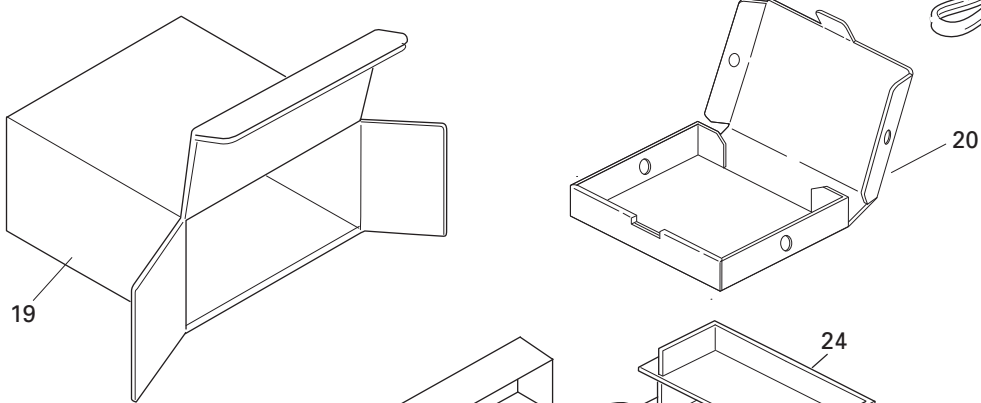
B



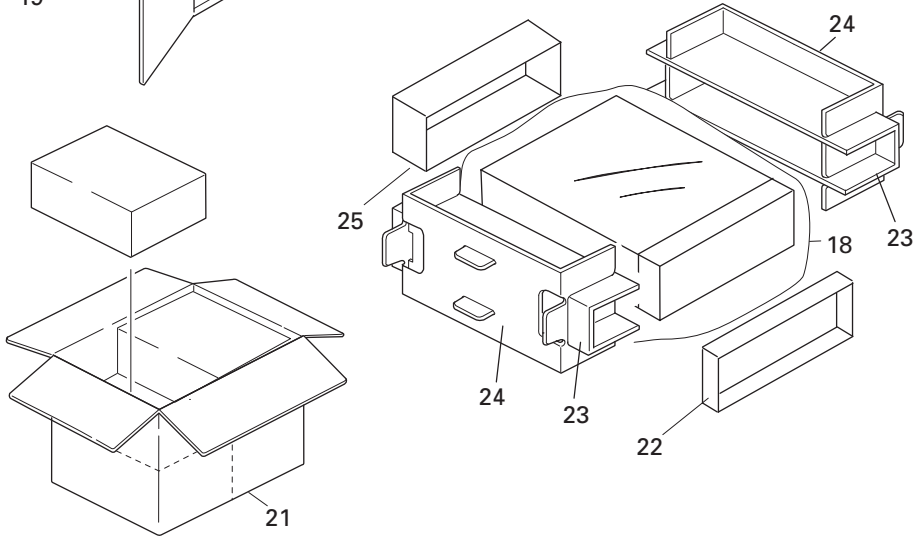
C



D



E



F

● PACKING(DEH-P8650MP/XN/ES) SECTION PARTS LIST

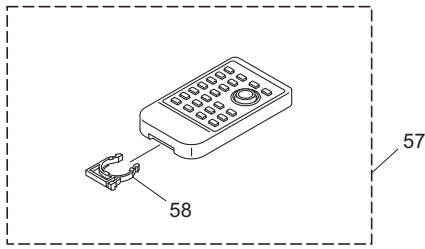
<u>Mark No.</u>	<u>Description</u>	<u>Part No.</u>	<u>Mark No.</u>	<u>Description</u>	<u>Part No.</u>	
1	Cord Assy	CDE7436	17-2	Owner's Manual	CRD3832	
2	Cord Assy	CDE7701	17-3	Owner's Manual	CRD3833	
3	Accessory Assy	CEA4301	17-4	Owner's Manual	CRB1902	
4	Spring	CBH1650				
5	Screw Assy	CEA3849	17-5	Installation Manual	CRD3834	
			*	17-6	Caution Card	CRP1308
6	Screw	CBA1650	17-7	Caution Card	CRP1310	
7		18	Polyethylene Bag	CEG-162	
*	8	Polyethylene Bag	CEG-127	19	Carton	CHG5192
9	Screw	CRZ50P090FTC				
10		20	Sub Carton	CHG5195	
			21	Contain Box	CHL5192	
11		22	Protector	CHP2546	
12	Screw	TRZ50P080FTC	23	Protector	CHP2797	
*	13	Polyethylene Bag	CEG-158	24	Protector	CHP2798
14	Handle	CNC5395				
15		25	Protector	CHP2812	
			26	Microphone Assy	CPM1054	
16	Bush	CNV3930	27	Case Assy	CXB3520	
17-1	Polyethylene Bag	CEG1116	28	Remote Control Unit	CXC2665	

● Owner's Manual,Installation Manual

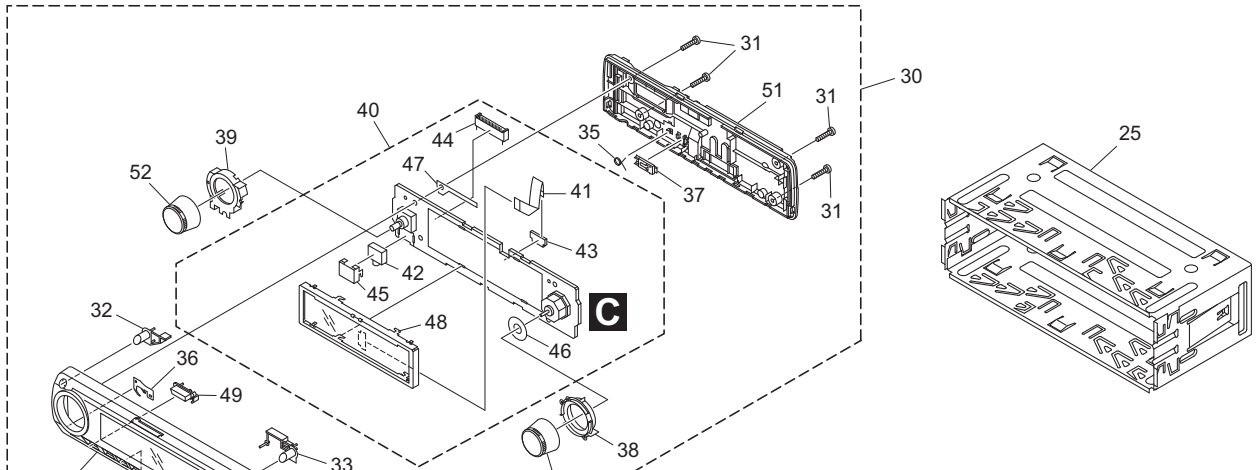
Part No.	Language
CRD3832	English, Spanish
CRD3833	Portuguese(B), Traditional Chinese
CRB1902	Arabic
CRD3834	English, Spanish, Portuguese(B), Traditional Chinese, Arabic

2.3 EXTERIOR(1)

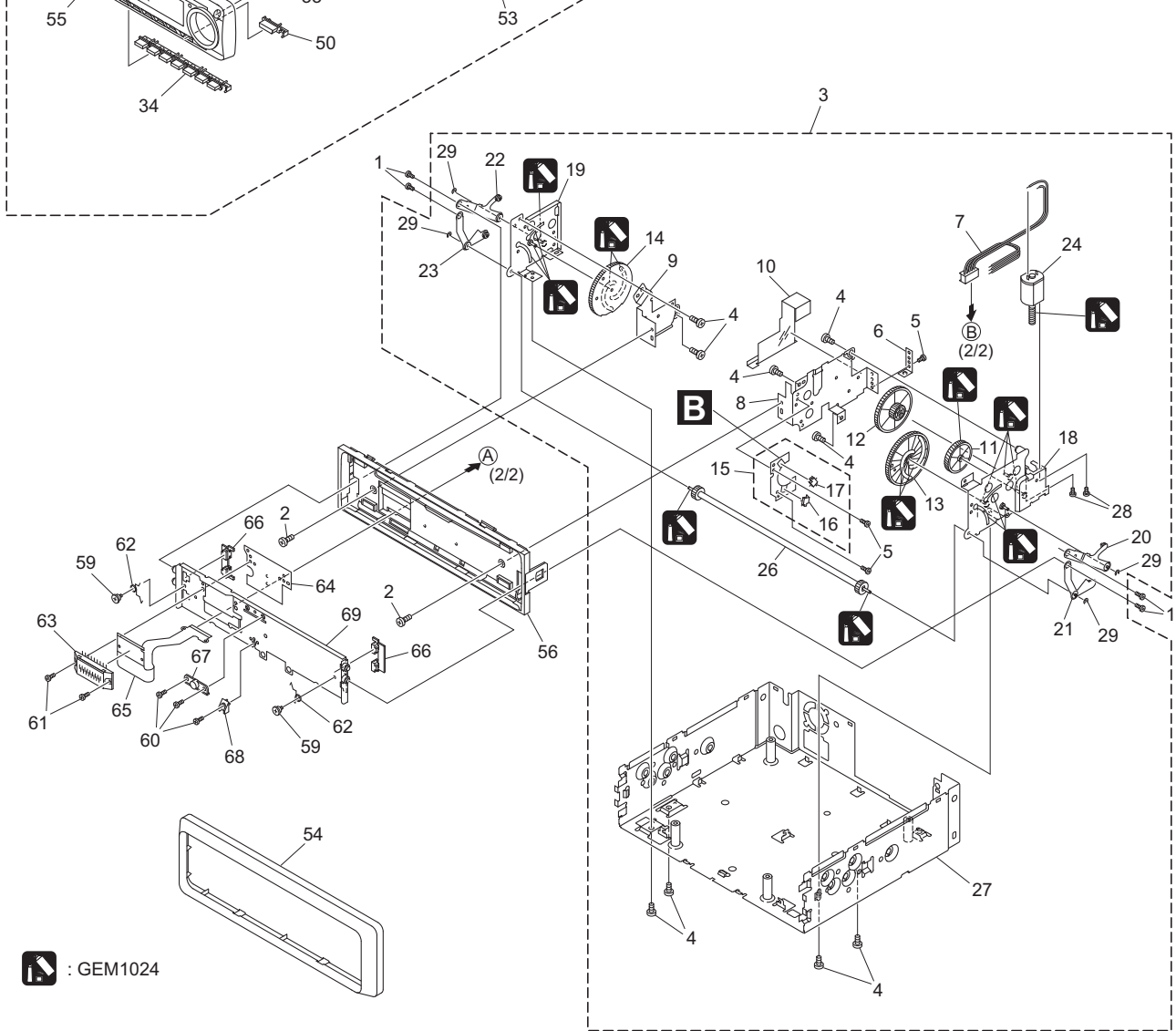
A



B



C



D

E

F

: GEM1024

(1) EXTERIOR(1) SECTION PARTS LIST

<u>Mark No.</u>	<u>Description</u>	<u>Part No.</u>	<u>Mark No.</u>	<u>Description</u>	<u>Part No.</u>
1	Screw(M2x2.5)	CBA1641	36	Holder	CND2039
2	Screw(M2.6x4)	CBA1769	37	Arm	CNV6963
3	Drive Unit	See Contrast table(2)	38	Lighting Conductor	CNV7974
4	Screw	BMZ26P040FTC	39	Lighting Conductor	CNV7975
5	Screw	CBA1633	40	Keyboard Unit	CWM9270
6	Spring	CBL1632	41	Flat Cable	CDE7591
7	Cord	CDE7392	42	Jack(CN1902)	CKN1016
8	Holder	CND1848	43	Connector(CN1802)	CKS4792
9	Holder	CND1850	44	Connector(CN1903)	CKS4795
10	Insulator	CNM8797	45	Holder	CND1971
11	Gear	CNV7752	46	Sheet	CNM8658
12	Gear	CNV7753	47	Sheet	CNM9192
13	Gear	CNV7754	48	OEL Module	MXK8200
14	Gear	CNV7755	49	Button Unit(EQ)	CXC2684
15	Switch Unit	CWS1389	50	Button Unit(BAND/ESC)	CXC2685
16	Switch(S1)	CSN1051	51	Cover Unit	CXC2997
17	Spring Switch(S2)	CSN1052	52	Knob Unit	CXC3698
18	Holder Unit	CXC2196	53	Knob Unit	CXC3699
19	Holder Unit	CXC2197	54	Panel	CNS7795
20	Arm Unit	CXC2198	55	Sub Grille Assy	See Contrast table(2)
21	Arm Unit	CXC2199	56	Panel Unit	CXC2603
22	Arm Unit	CXC2200	57	Remote Control Unit	CXC2665
23	Arm Unit	CXC2201	58	Cover	CZN5357
24	Motor Unit(M571)	CXC2204	59	Screw(M2x2)	CBA1561
25	Holder	CNC8659	60	Screw(M2x2)	CBA1633
26	Gear Unit	CXC2205	61	Screw(M2x3.5)	CBA1754
27	Chassis Unit	See Contrast table(2)	62	Spring	CBH2530
28	Screw	JFZ20P025FTC	63	Connector	CKS4796
29	Washer	YE15FTC	64	Holder	CND2172
30	Detach Grille Assy	See Contrast table(2)	65	Flexible PCB	CNP7698
31	Screw	BPZ20P090FZK	66	Arm	CNV6962
32	Button(OPEN)	CAC8459	67	Guide	CNV6967
33	Button(RESET)	CAC8461	68	Guide	CNV8048
34	Button(1-6)	CAC8919	69	Case Unit	CXC2202
35	Spring	CBH2543			

(2) CONTRAST TABLE

DEH-P860MP/XN/UC DEH-P8600MP/XN/UC, and DEH-P8650MP/XN/ES are constructed the same except for the following:

<u>Mark</u>	<u>NO</u>	<u>Description</u>	<u>DEH-P860MP/XN/UC</u>	<u>DEH-P8600MP/XN/UC</u>	<u>DEH-P8650MP/XN/ES</u>
	3	Drive Unit	CXC3136	CXC3135	CXC3015
	27	Chassis Unit	CXC3134	CXC3133	CXC2998
	30	Detach Grille Assy	CXC2569	CXC2570	CXC2571
	55	Sub Grille Assy	CXC3738	CXC3737	CXC3736

2.4 EXTERIOR(2)

A

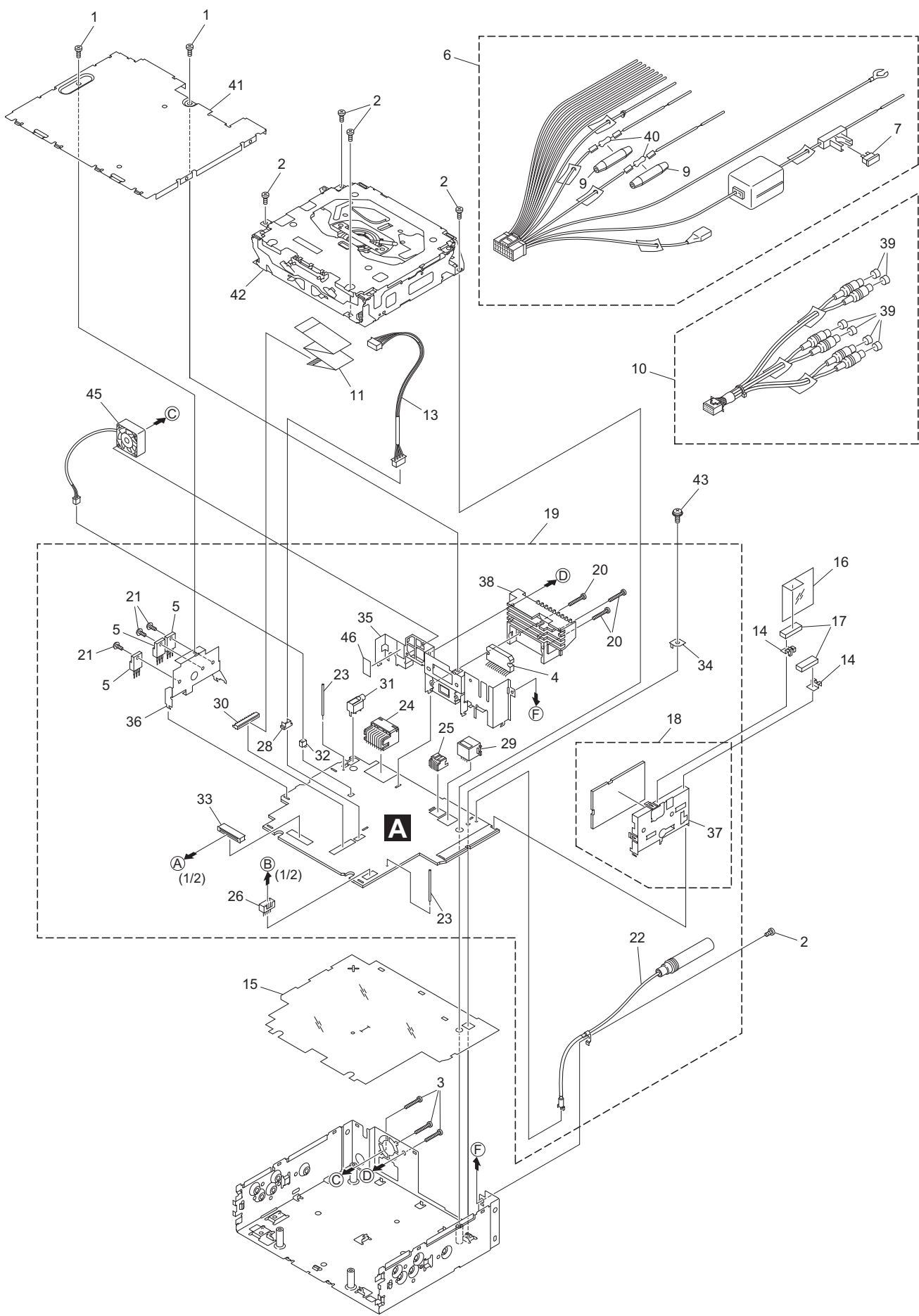
B

C

D

E

F



(1) EXTERIOR(2) SECTION PARTS LIST

<u>Mark No.</u>	<u>Description</u>	<u>Part No.</u>	<u>Mark No.</u>	<u>Description</u>	<u>Part No.</u>
1	Screw	BMZ26P060FZK	25	Connector(CN351)	CKM1389
2	Screw	BSZ26P060FTC			
3	Screw(M2.6x14)	CBA1632	26	Plug(CN571)	CKS-786
4	IC(IC301)	PAL007A	27	
5	Transistor(Q742,861,871)	2SD2396	28	Connector(CN702)	CKS3126
			29	Connector(CN101)	CKS3408
6	Cord Assy	CDE7701	30	Connector(CN701)	CKS3837
7	Fuse(10A)	CEK1136			
8		31	Connector(CN931)	See Contrast table(2)
9	Cap	CNS1472	32	Connector(CN561)	CKS4571
10	Cord Assy	See Contrast table(2)	33	Connector(CN801)	CKS4811
			34	Holder(CN401)	CNC5399
11	Flat Cable	CDE7468	35	Holder	CND2040
12				
13	Cord Assy	CDE7626	36	Holder	CND2041
14	Earth Plate	CND2171	37	Holder	CND1054
15	Insulator	CNM8659	38	Heat Sink	CNR1729
			39	Cap	CNV6727
16	Insulator	CNM8790	40	Resistor	RS1/2PMF102J
17	Cushion	CNM9126			
18	FM/AM Tuner Unit	CWE1646	41	Case Unit	CXC3476
19	Tuner Amp Unit	See Contrast table(2)	42	CD Mechanism Module(S10CODE)CXXK5677	
20	Screw	BMZ26P200FTC	43	Screw	ISS26P055FTC
			44	
21	Screw	BSZ26P080FTC	45	Fan Motor(M561)	CXM1288
22	Antenna Cable(CN402)	CDH1336			
23	Clamper	CEF1033	46	Sheet	CNM8789
24	Plug(CN932)	CKM1278			

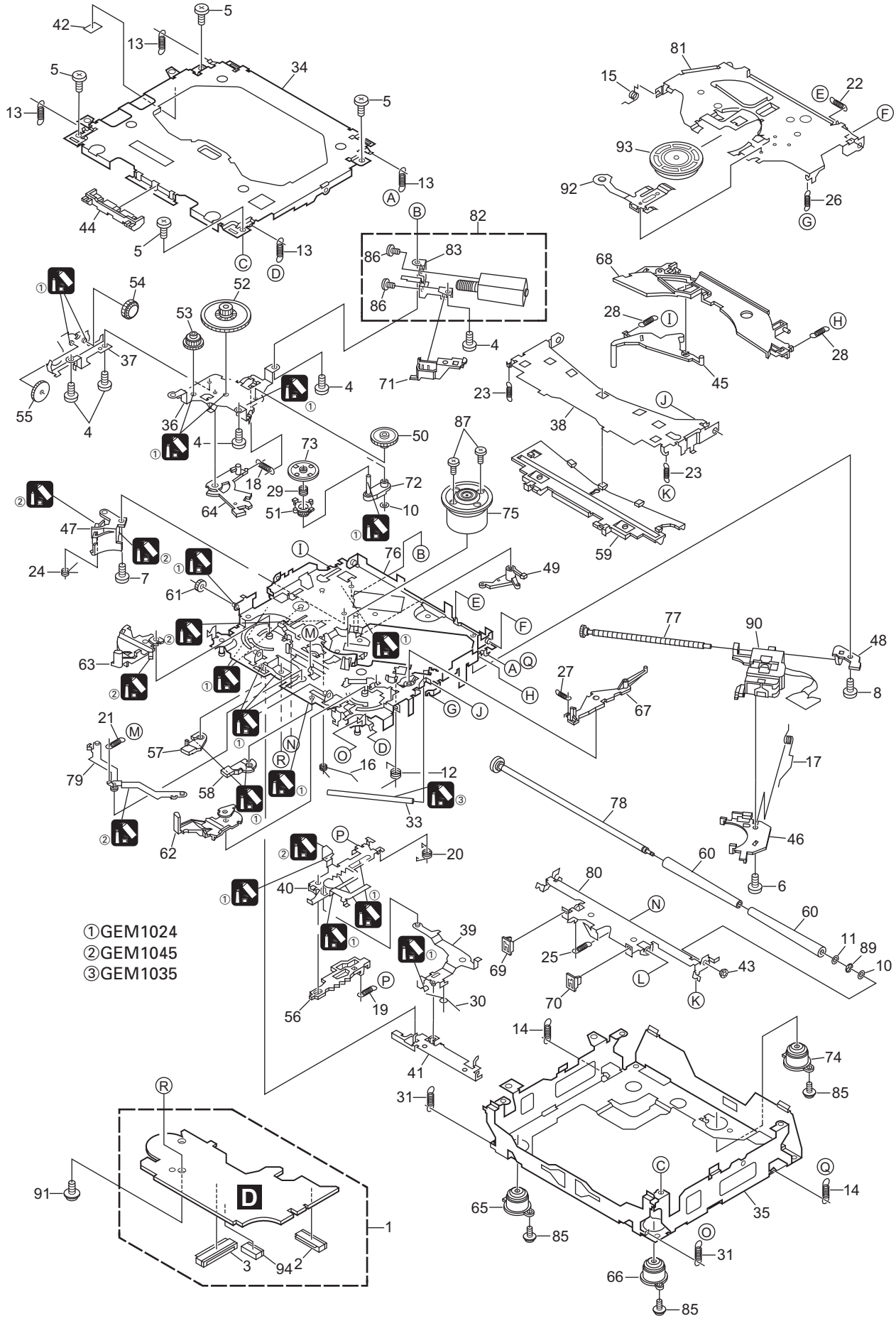
(2) CONTRAST TABLE

DEH-P860MP/XN/UC DEH-P8600MP/XN/UC, and DEH-P8650MP/XN/ES are constructed the same except for the following:

<u>Mark</u>	<u>NO</u>	<u>Description</u>	<u>DEH-P860MP/XN/UC</u>	<u>DEH-P8600MP/XN/UC</u>	<u>DEH-P8650MP/XN/ES</u>
	10	Cord Assy	CDE7436	CDE7437	CDE7436
	19	Tuner Amp Unit	CWM9266	CWM9267	CWM9268
	31	Connector(CN931)	CKS4124	CKS4124	Not used

2.5 CD MECHANISM MODULE

A
B
C
D
E
F



- ① GEM1024
- ② GEM1045
- ③ GEM1035

<u>Mark No.</u>	<u>Description</u>	<u>Part No.</u>	<u>Mark No.</u>	<u>Description</u>	<u>Part No.</u>	
1	CD Core Unit(S10WMACODE2)	CWX2953				
2	Connector(CN101)	CKS4182	51	Gear	CNV7208	
3	Connector(CN901)	CKS4017	52	Gear	CNV7209	A
4	Screw	BMZ20P035FTC	53	Gear	CNV7210	
5	Screw	BSZ20P040FTC	54	Gear	CNV7211	
			55	Gear	CNV7212	
6	Screw(M2x4)	CBA1362				
7	Screw(M2x3)	CBA1511	56	Rack	CNV7214	
8	Screw(M2x3)	CBA1527	57	Arm	CNV7215	
9		58	Arm	CNV7216	
10	Washer	CBF1038	59	Guide	CNV7217	
			60	Roller	CNV7218	
11	Washer	CBF1060				
12	Spring	CBH2390	61	Gear	CNV7219	B
13	Spring	CBH2606	62	Arm	CNV7221	
14	Spring	CBH2607	63	Arm	CNV7220	
15	Spring	CBH2608	64	Arm	CNV7222	
			65	Damper	CNV7313	
16	Spring	CBH2609				
17	Spring	CBH2610	66	Damper	CNV7314	
18	Spring	CBH2735	67	Arm	CNV7341	
19	Spring	CBH2612	68	Arm	CNV7342	
20	Spring	CBH2613	69	Guide	CNV7360	
			70	Guide	CNV7361	C
21	Spring	CBH2614				
22	Spring	CBH2615	71	Holder	CNV7437	
23	Spring	CBH2616	72	Arm	CNV7805	
24	Spring	CBH2617	73	Gear	CNV7595	
25	Spring	CBH2620	74	Damper	CNV7618	
			75	Motor Unit(M1)	CXB6007	
26	Spring	CBH2621				
27	Spring	CBH2641	76	Chassis Unit	CXC2318	
28	Spring	CBH2642	77	Screw Unit	CXB8729	
29	Spring	CBH2643	78	Gear Unit	CXC2397	
30	Spring	CBH2659	79	Arm Unit	CXC2316	D
			80	Arm	CND1896	
31	Spring	CBH2688				
32		81	Arm	CND1894	
33	Shaft	CLA4441	82	Motor Unit(M2)	CXB8933	
34	Frame	CNC9962	83	Bracket	CNC9985	
35	Frame	CNC9963	84		
			85	Screw(M2x5)	EBA1028	
36	Bracket	CNC9966				
37	Bracket	CND1895	86	Screw	JFZ20P020FTC	
38	Arm	CNC9968	87	Screw	JGZ17P022FTC	
39	Arm	CND1909	88		E
40	Lever	CND2032	89	Washer	YE20FTC	
			90	Pickup Unit(P9.9MP3)(Service)	CXX1805	
41	Lever	CNC9984				
42	Sheet	CNM8134	91	Screw	IMS26P030FTC	
43	Collar	CNV7798	92	Spring	CBL1635	
44	Guide	CNV7799	93	Clamper	CNV7197	
45	Arm	CNV7800	94	Connector(CN902)	CKS2193	
46	Rack	CNV7199				
47	Holder	CNV7201				
48	Holder	CNV7202				
49	Arm	CNV7203				
50	Gear	CNV7207				F

5. ELECTRICAL PARTS LIST

NOTE:

- Parts whose parts numbers are omitted are subject to being not supplied.
- The part numbers shown below indicate chip components.

Chip Resistor

RS1/○○○○○J,RS1/○○○○○J

Chip Capacitor (except for CQS.....)

CKS....., CCS....., CSZS.....

- The \triangle mark found on some component parts indicates the importance of the safety factor of the part. Therefore, when replacing, be sure to use parts of identical designation.

Circuit Symbol and No.

Part No.

Circuit Symbol and No.

Part No.

Q 561	Transistor	2SD1859
Q 562	Transistor	IMD2A
Q 571	Transistor	2SD1760F5
Q 572	Transistor	IMD3A
Q 651	Transistor	2SC3052-12

Q 741	Transistor	IMD2A
Q 742	Transistor	2SD2396
Q 743	Transistor	2SD1767
Q 744	Transistor	IMD2A
Q 831	Transistor	2SB808

Q 832	Transistor	DTC114EU
Q 841	Transistor	2SD1760F5
Q 842	Transistor	IMD2A
Q 851	Transistor	2SC3052-12
Q 852	Transistor	2SD1767

Q 853	Transistor	IMD2A
Q 861	Transistor	2SD2396
Q 862	Transistor	IMD2A
Q 871	Transistor	2SD2396
Q 872	Transistor	2SB1243

Q 873	Transistor	RT1N141C-12
Q 881	Transistor	2SD1760F5
Q 882	Transistor	IMD2A
Q 891	Transistor	DTC114EU
Q 911	Transistor	IMX1

Q 921	Transistor	2SA1235A-12
D 301	Diode	MPG06G-6415G50
D 302	Diode	MPG06G-6415G50
D 321	Diode (P860MP,P8650MP)	1SS396
	Diode (P8600MP)	DA204K

D 322	Diode (P860MP,P8650MP)	1SS396
D 351	Diode	1SS133
D 401	Diode	1SR154-400
D 402	Diode	1SR154-400
D 403	Diode	1SR154-400

D 451	Diode	DAN202U
D 452	Diode	HZS9L(A2)
D 501	Diode	HZU3R9(B1)
D 502	Diode Network	DA204U
D 521	Diode	UDZS3R9(B)

D 522	Diode	RB706F-40
D 561	Diode	HZS11L(B2)
D 571	Diode	1SS133
D 572	Diode	1SS133
D 573	Diode	HZS7L(B3)

D 651	Diode	MA111
-------	-------	-------

A

Unit Number:CWM9266(P860MP)

Unit Number:CWM9267(P8600MP)

Unit Number:CWM9268(P8650MP)

Unit Name:Tuner Amp Unit

MISCELLANEOUS

IC 101	IC	HA12240FP
IC 121	IC	AK7730VT
IC 122	IC	TC7SH08FU
IC 181	IC	PCM1742KE
IC 182	IC	PCM1742KE
IC 183	IC	PCM1742KE
IC 211	IC	NJM4580V
IC 212	IC	NJM4580V
IC 213	IC	NJM4580V
IC 261	IC	NJM2112V
IC 262	IC	NJM4558MD
IC 281	IC	PML011A
IC 301	IC	PAL007A
IC 321	IC	PA2028A
IC 401	IC	NJM2391DL1-33
IC 521	IC	NJM4558V
IC 522	IC	NJM4558V
IC 571	IC	BA6288FS
IC 601	IC	PD5928A
IC 651	IC	S-80835CNMC-B8U
IC 661	IC	TC74VHC08FT
IC 662	IC	TC74VHC08FT
IC 801	IC	TC74VHCT125AFT
IC 941	IC	NJM2391DL1-33
IC 961	IC	NJM2872F05
Q 101	Transistor	UMF23N
Q 281	Transistor	DTC124EU
Q 301	Transistor	DTC124EU
Q 351	Transistor	IMD2A
Q 352	Transistor	HN1C03F
Q 353	Transistor	HN1C03F
Q 354	Transistor	HN1C03F
Q 451	Transistor	2SC3052-12
Q 501	Transistor	IMD2A
Q 502	Transistor	2SC3052-12

<u>Circuit Symbol and No.</u>		<u>Part No.</u>	<u>Circuit Symbol and No.</u>		<u>Part No.</u>
D 741	Diode	HZS9L(B1)	BZ601	Buzzer	CPV1062
D 742	Diode	HZS6L(C1)	Y 401	FM/AM Tuner Unit	CWE1646
D 801	Diode Network	DA204U	RESISTORS		
D 802	Diode Network	DA204U			
D 803	Diode Network	DA204U	R 101	RS1/16S181J	
D 804	Diode Network	DA204U	R 102	RS1/16S181J	
D 805	Diode Network	DA204U	R 103	RS1/16S223J	
D 806	Diode Network	DA204U	R 104	RS1/16S223J	
D 807	Diode Network	DA204U	R 105	RS1/16S102J	
D 841	Diode	HZS9L(C2)	R 106	RS1/16S102J	
D 851	Diode	HZU10(B2)	R 107	RS1/16S222J	
D 852	LED	SML310BA1T	R 108	RS1/16S150J	
D 861	Diode	HZS9L(B3)	R 109	RS1/16S470J	
D 862	Diode	DAN202U	R 110	RS1/16S101J	
D 871	Diode	HZS9L(B2)	R 111	RS1/16S101J	
D 881	Diode	HZS6L(B1)	R 112	RS1/16S102J	
D 882	Diode	MPG06G-6415G50	R 113	RS1/16S562J	
D 901	Diode	MPG06G-6415G50	R 114	RS1/16S332J	
D 902	Diode	MPG06G-6415G50	R 115	RS1/16S472J	
D 903	Diode	MPG06G-6415G50	R 121	RS1/16S101J	
D 911	Diode	HZS7L(C3)	R 123	RAB4C101J	
D 912	Diode	HZS7L(A1)	R 126	RAB4C101J	
D 921	Diode	DAN202U	R 130	RAB4C681J	
D 931	Diode (P860MP,P8600MP)	DAN202U	R 134	RS1/16S562J	
D 932	Diode (P860MP,P8600MP)	DAP202U	R 135	RS1/16S472J	
ZNR401	Surge Protector	RCCA-201Q31UA-PI	R 136	RS1/16S222J	
L 101	Inductor	LCTC4R7K2125	R 141	RAB4C681J	
L 121	Inductor	LCTA1R0J2520	R 181	RAB4C101J	
L 122	Inductor	LCTA1R0J2520	R 184	RS1/16S101J	
L 123	Inductor	CTF1379	R 185	RAB4C101J	
L 124	Inductor	CTF1379	R 188	RAB4C101J	
L 125	Inductor	CTF1389	R 191	RS1/16S101J	
L 126	Inductor	CTF1379	R 192	RAB4C101J	
L 181	Inductor	CTF1379	R 195	RAB4C101J	
L 182	Inductor	CTF1379	R 198	RS1/16S101J	
L 184	Inductor	CTF1379	R 199	RAB4C101J	
L 185	Inductor	CTF1379	R 211	RN1/16SE1202D	
L 186	Inductor	CTF1379	R 212	RN1/16SE1202D	
L 187	Inductor	CTF1379	R 213	RN1/16SE3901D	
L 281	Inductor	LCTA2R2J2520	R 214	RN1/16SE3901D	
L 321	Ferri-Inductor	LAU101J	R 215	RN1/16SE1002D	
L 401	Inductor	LCTA4R7J2520	R 216	RN1/16SE1002D	
L 402	Inductor	LAYU1R0K	R 217	RN1/16SE1502D	
L 403	Inductor	LAYU100K	R 218	RN1/16SE1502D	
L 404	Inductor	LAYU1R0K	R 219	RN1/16SE1202D	
L 602	Inductor	LAYU100K	R 220	RN1/16SE1202D	
L 661	Inductor	LCTC4R7K1608	R 221	RN1/16SE3901D	
L 662	Inductor	LCTC4R7K1608	R 222	RN1/16SE3901D	
L 701	Inductor	LAYU100K	R 223	RN1/16SE1002D	
L 801	Inductor	LCTC1R0K1608	R 224	RN1/16SE1002D	
L 803	Inductor	CTF1379	R 225	RN1/16SE1502D	
L 921	Inductor	CTF1530	R 226	RN1/16SE1502D	
L 941	Inductor	LCTA1R0J2520	R 227	RN1/16SE1202D	
L 942	Inductor	LCTA1R0J2520	R 228	RN1/16SE1202D	
X 121	Radiator 16.934MHz	CSS1620	R 229	RN1/16SE3901D	
X 601	Radiator 10.00MHz	CSS1475	R 230	RN1/16SE3901D	
S 551	Slide Switch(DSP) (P860MP,P8650MP)	CSH1051	R 231	RN1/16SE1002D	
VR521	Semi-fixed 10kΩ(B)	CCP1448	R 232	RN1/16SE1002D	
FU351	Fuse 3A Δ	CEK1286	R 233	RN1/16SE1502D	
MIC521	Microphone	CPM1011			

Circuit Symbol and No.Part No.Circuit Symbol and No.Part No.

A	R 234	RN1/16SE1502D	R 402		RS1/16S681J
	R 261	RN1/16SE3300D	R 403		RS1/16S681J
	R 262	RN1/16SE3300D	R 404		RS1/16S681J
	R 263	RN1/16SE3300D	R 405		RS1/16S681J
	R 264	RN1/16SE3300D	R 406		RS1/16S681J
	R 265	RN1/16SE4702D	R 452		RS1/16S103J
	R 266	RN1/16SE4702D	R 453		RS1/16S223J
	R 267	RN1/16SE4702D	R 454		RS1/16S473J
	R 268	RN1/16SE4702D	R 501		RS1/16S682J
	R 269	RN1/16SE4702D	R 502		RS1/16S152J
	R 270	RN1/16SE4702D	R 503		RS1/16S683J
	R 271	RS1/16S563J	R 504		RS1/16S153J
	R 272	RS1/16S473J	R 505		RS1/16S561J
B	R 273	RS1/16S473J	R 506		RS1/16S222J
	R 274	RS1/16S473J	R 507		RS1/16S104J
	R 275	RN1/16SE4702D	R 521		RS1/16S103J
	R 276	RN1/16SE4702D	R 522		RS1/16S153J
	R 282	RS1/16S682J	R 523		RS1/16S153J
	R 283	RS1/16S0R0J	R 524		RS1/16S103J
	R 284	RS1/16S0R0J	R 525		RS1/16S223J
	R 285	RS1/16S0R0J	R 526		RS1/16S102J
	R 286	RS1/16S0R0J	R 527		RS1/16S563J
	R 287	RS1/16S0R0J	R 528		RS1/16S101J
	R 288	RS1/16S0R0J	R 529		RS1/16S152J
C	R 289	RS1/16S103J	R 530		RS1/16S152J
	R 290	RS1/16S222J	R 531		RS1/16S104J
	R 291	RS1/16S332J	R 532		RS1/16S222J
	R 301	RS1/16S103J	R 533		RS1/16S104J
	R 302	RS1/16S103J	R 534		RS1/16S104J
	R 303	RS1/16S103J	R 551	(P8600MP)	RS1/16S473J
	R 304	RS1/16S331J	R 552	(P860MP,P8650MP)	RS1/16S0R0J
	R 321	RS1/16S103J	R 553	(P860MP,P8650MP)	RS1/16S473J
	R 322	RS1/16S103J	R 561		RS1/16S1R0J
	R 329	RS1/16S0R0J	R 562		RS1/16S391J
	R 351	RS1/16S820J	R 571		RS1/16S102J
D	R 352	RS1/16S820J	R 572		RS1/16S102J
	R 353	RS1/16S103J	R 573		RS1/16S102J
	R 354	RS1/16S103J	R 574		RS1/16S102J
	R 355	RS1/16S223J	R 575		RS1/16S471J
	R 356	RS1/16S223J	R 576		RS1/16S471J
	R 357	RS1/16S471J	R 601		RS1/16S104J
	R 358	RS1/16S471J	R 602		RS1/16S472J
	R 359	RS1/16S820J	R 603		RS1/16S104J
	R 360	RS1/16S820J	R 604		RS1/16S104J
	R 361	RS1/16S103J	R 605		RS1/16S104J
E	R 362	RS1/16S103J	R 606		RS1/16S223J
	R 363	RS1/16S223J	R 607		RS1/16S104J
	R 364	RS1/16S223J	R 608		RS1/16S473J
	R 365	RS1/16S471J	R 609		RS1/16S0R0J
	R 366	RS1/16S471J	R 612		RS1/16S104J
	R 367	RS1/16S820J	R 613		RS1/16S104J
	R 368	RS1/16S820J	R 614		RS1/16S681J
	R 369	RS1/16S103J	R 615		RS1/16S681J
	R 370	RS1/16S103J	R 616		RS1/16S681J
	R 371	RS1/16S223J	R 617		RS1/16S473J
	R 372	RS1/16S223J	R 618	(P8600MP)	RS1/16S104J
	R 373	RS1/16S471J	R 619	(P860MP,P8650MP)	RS1/16S104J
	R 374	RS1/16S471J	R 621	(P8650MP)	RS1/16S104J
	R 375	RS1/16S102J	R 622		RS1/16S102J
F	R 401	RS1/16S681J	R 626	(P860MP,P8600MP)	RS1/16S104J

<u>Circuit Symbol and No.</u>	<u>Part No.</u>	<u>Circuit Symbol and No.</u>	<u>Part No.</u>
R 642	RS1/16S104J	R 881	RS1/16S333J
R 651	RS1/16S102J	R 882	RS1/16S821J
R 652	RS1/16S222J	R 883	RS1/16S821J
R 653	RS1/16S102J	R 891	RS1/16S103J
R 654	RS1/16S473J	R 892	RS1/16S104J
R 655	RS1/16S183J	R 911	RS1/16S104J
R 661	RAB4C681J	R 912	RS1/16S103J
R 662	RS1/16S681J	R 913	RS1/16S473J
R 663	RS1/16S681J	R 914	RS1/16S473J
R 665	RS1/16S681J	R 915	RS1/16S472J
R 666	RS1/16S272J	R 921	RS1/16S102J
R 667	RS1/16S272J	R 922	RS1/16S472J
R 668	RS1/16S272J	R 923	RS1/16S472J
R 669	RS1/16S472J	R 924	RS1/16S153J
R 670	RS1/16S472J	R 931	RS1/16S103J
R 671	RS1/16S472J	R 932	RS1/16S104J
R 701	RS1/16S682J	R 933	(P860MP,P8600MP)
R 702	RS1/16S473J	R 934	(P860MP,P8600MP)
R 703	RS1/16S682J		
R 704	RS1/16S682J		
		<u>CAPACITORS</u>	
R 705	RS1/16S682J	C 101	CKSRYB104K16
R 707	RS1/16S681J	C 103	CCSRCH102J50
R 708	RS1/16S221J	C 104	CCSRCH102J50
R 709	RS1/16S221J	C 105	CKSRYB473K50
R 710	RS1/16S221J	C 121	CKSRYB104K16
R 711	RS1/16S221J	C 122	CKSYB106K6R3
R 712	RS1/16S221J	C 123	CKSRYB104K16
R 713	RS1/16S221J	C 124	CKSYB106K6R3
R 714	RS1/16S681J	C 125	CKSRYB104K16
R 741	RD1/4PU331J	C 126	CKSRYB104K16
R 743	RS1/16S471J	C 127	CKSRYB104K16
R 801	RS1/16S104J	C 128	CKSYB106K6R3
R 802	RS1/16S104J	C 131	CCSRCH220J50
R 803	RS1/16S104J	C 132	CKSQYB682K50
R 804	RS1/16S222J	C 133	CCSRCH220J50
R 805	RS1/16S222J	C 134	CKSRYB104K16
R 806	RS1/16S222J	C 135	CCSRCH100D50
R 811	RS1/16S222J	C 136	CCSRCH100D50
R 813	RS1/16S222J	C 137	CCSRCH220J50
R 815	RS1/16S104J	C 138	CKSYB106K6R3
R 816	RS1/16S104J	C 139	CCSRCH102J50
R 820	RS1/16S222J	C 140	CCSRCH151J50
R 823	RS1/16S222J	C 141	CCSRCH102J50
R 825	RS1/16S473J	C 142	CKSRYB103K50
R 831	RS1/16S473J	C 143	CCSRCH102J50
R 832	RS1/16S222J	C 144	CCSRCH390J50
R 833	RS1/16S103J	C 146	CCSRCH220J50
R 841	RS1/10S1R0J	C 147	CCSRCH220J50
R 843	RD1/4PU271J	C 148	CCSRCH220J50
R 851	RAB4C221J	C 150	CCSRCH150J50
R 852	RS1/16S103J	C 153	CKSRYB102K50
R 853	RS1/16S103J	C 156	CCSRCH102J50
R 854	RS1/16S181J	C 183	CKSYB106K6R3
R 855	RS1/16S181J	C 184	CCSRCH102J50
R 864	RS1/16S561J	C 185	CKSYB106K6R3
R 865	RS1/16S561J	C 186	CCSRCH102J50
R 872	RS1/16S681J	C 187	CKSYB106K6R3
R 873	RS1/16S561J	C 189	CCSRCH102J50
R 874	RD1/4PU222J	C 190	CKSYB106K6R3
R 875	RS1/16S822J	C 192	CKSYB106K6R3

Circuit Symbol and No.Part No.Circuit Symbol and No.Part No.

A	C 193	CCSRCH102J50	C 294		CKSRYB104K16
	C 194	CKSYB106K6R3	C 301		CFTNA224J50
	C 196	CCSRCH102J50	C 302		CFTNA224J50
	C 197	CKSYB106K6R3	C 303		CFTNA224J50
	C 199	CKSYB106K6R3	C 304		CFTNA224J50
	C 200	CCSRCH102J50	C 305		CEHAR330M10
	C 201	CKSYB106K6R3	C 306	3300 μ F/16V	CCH1486
	C 202	CCSRCH101J50	C 307		CKSRYB104K16
	C 211	CEAL4R7M16	C 308		CEHAR100M16
	C 212	CEAL4R7M16	C 309		CKSQYB225K10
	C 213	CCSRCH181J50	C 310		CKSQYB225K10
	C 214	CCSRCH181J50	C 321		CKSRYB105K10
B	C 215	CCSRCH821J50	C 322		CKSRYB105K10
	C 216	CCSRCH821J50	C 323		CKSRYB105K10
	C 217	CEALNP4R7M16	C 324		CKSRYB105K10
	C 218	CEALNP4R7M16	C 325		CKSRYB105K10
	C 219	CEAL4R7M16	C 326		CKSRYB105K10
	C 220	CEAL4R7M16	C 327		CEJQ4R7M35
	C 221	CCSRCH181J50	C 328		CEJQ101M16
	C 222	CCSRCH181J50	C 329		CASAQ3R3M16
	C 223	CCSRCH821J50	C 330		CEJQ100M16
	C 224	CCSRCH821J50	C 331		CKSYB684K16
	C 225	CEALNP4R7M16	C 332		CEJQ220M16
C	C 226	CEALNP4R7M16	C 333		CKSRYB105K10
	C 227	CEAL4R7M16	C 334		CEJQ330M25
	C 228	CEAL4R7M16	C 335		CEJQ330M25
	C 229	CCSRCH181J50	C 336	(P860MP,P8650MP)	CEJQ330M25
	C 230	CCSRCH181J50	C 337	(P860MP,P8650MP)	CEJQ330M25
	C 231	CCSRCH821J50	C 351		CEJQ100M50
	C 232	CCSRCH821J50	C 352		CEJQ100M50
	C 233	CEALNP4R7M16	C 353		CKSRYB222K50
	C 234	CEALNP4R7M16	C 354		CKSRYB222K50
	C 235	CKSRYB104K16	C 355		CEJQ100M50
	C 236	CKSRYB104K16	C 356		CEJQ100M50
D	C 237	CKSRYB104K16	C 357		CKSRYB222K50
	C 261	CCSRCH102J50	C 358		CKSRYB222K50
	C 262	CCSRCH102J50	C 359		CEJQ100M50
	C 263	CCSRCH470J50	C 360		CEJQ100M50
	C 264	CCSRCH470J50	C 361		CKSRYB222K50
	C 265	CCSRCH470J50	C 362		CKSRYB222K50
	C 266	CCSRCH470J50	C 363		CEJQ220M16
	C 267	CKSQYB225K10	C 364		CKSRYB473K50
	C 268	CKSQYB225K10	C 401		CKSYB475K10
	C 269	CKSRYB105K10	C 402		CKSRYB103K50
	C 270	CKSRYB104K16	C 403		CEJQ470M6R3
E	C 271	CSZS100M10	C 404		CKSRYB103K50
	C 272	CSZS100M10	C 405		CEJQ101M16
	C 281	CKSRYB472K50	C 406		CKSRYB103K50
	C 282	CKSRYB472K50	C 407		CEJQ220M6R3
	C 283	CSZS100M10	C 408		CCSRCH101J50
	C 284	CKSRYB104K16	C 409		CKSRYB103K50
	C 285	CKSQYB225K10	C 410		CKSYB475K10
	C 286	CKSRYB104K16	C 411		CCSRCH102J50
	C 287	CKSQYB225K10	C 501		CKSQYB225K10
	C 288	CKSQYB225K10	C 502		CEJQ101M6R3
F	C 289	CSZS100M10	C 503		CCSRCH681J50
	C 290	CKSQYB225K10	C 521		CKSRYB105K10
	C 291	CKSRYB105K10	C 522		CEALNP4R7M16
	C 292	CKSQYB225K10	C 523		CEALNP4R7M16
	C 293	CKSRYB104K16	C 524		CKSRYB105K10

Circuit Symbol and No.**Part No.****Circuit Symbol and No.****Part No.**

S 1909 Push Switch CSG1155
 S 1910 Push Switch CSG1155
 S 1911 Push Switch CSG1155
 S 1912 Encoder(SOURCE/VOLUME) CSD1104
 S 1913 Switch(MULTI-CONTROL) CSX1065
 S 1914 Push Switch CSG1155

R 1919 RS1/16S221J
 R 1921 RS1/16S221J
 R 1923 RS1/16S221J
 R 1925 RS1/16S221J
 R 1927 RS1/16S821J
 R 1929 RS1/16S221J
 R 1931 RS1/16S221J
 R 1933 RS1/16S221J
 R 1935 RS1/16S221J
 R 1938 RS1/16SS222J

RESISTORS

R 1807 RS1/16SS222J
 R 1808 RS1/16SS222J
 R 1809 RS1/16SS101J
 R 1810 RS1/16SS101J
 R 1811 RS1/16SS473J
 R 1812 RS1/16SS104J
 R 1815 RS1/16SS101J
 R 1816 RS1/16SS101J
 R 1817 RS1/16SS101J
 R 1818 RS1/16SS101J

R 1939 RS1/16SS332J
 R 1940 RS1/16SS822J
 R 1941 RS1/16SS4702D
 R 1942 RS1/16SS102J
 R 1943 RS1/16SS102J
 R 1945 RS1/16SS103J
 R 1946 RS1/16SS221J

CAPACITORS

R 1819 RAB4CQ101J
 R 1820 RS1/16SS222J
 R 1821 RS1/16SS154J
 R 1822 RS1/16SS473J
 R 1824 RS1/16SS473J

C 1806 CSZSP4R7M10
 C 1808 CKSRYB474K10
 C 1809 CKSSYB103K16
 C 1810 CKSSYB103K16
 C 1814 CKSSYB473K10

R 1825 RS1/16SS473J
 R 1826 RS1/16SS473J
 R 1827 RS1/16SS473J
 R 1828 RS1/16SS473J
 R 1829 RS1/16SS473J

C 1816 CKSSYB103K16
 C 1817 CSZSP4R7M10
 C 1822 CKSSYB103K16
 C 1826 CKSSYB103K16
 C 1827 CKSSYB103K16

R 1830 RS1/16SS473J
 R 1831 RS1/16SS102J
 R 1832 RS1/16SS0R0J
 R 1834 RAB4CQ473J
 R 1835 RAB4CQ101J

C 1833 10 μ F CCG1138
 C 1901 CKSRYB104K16
 C 1902 CKSRYB104K16
 C 1903 CKSRYB104K16
 C 1904 CKSRYB104K16

R 1836 RAB4CQ101J
 R 1837 RAB4CQ101J
 R 1838 RAB4CQ101J
 R 1839 RAB4CQ101J
 R 1840 RAB4CQ101J

C 1905 CKSRYB104K16
 C 1906 CKSRYB104K16
 C 1907 CKSRYB104K16
 C 1908 CKSRYB104K16
 C 1909 CKSRYB104K16

R 1841 RAB4CQ101J
 R 1842 RAB4CQ101J
 R 1843 RAB4CQ101J
 R 1844 RAB4CQ101J
 R 1845 RS1/16SS473J

C 1910 CKSRYB104K16
 C 1911 CKSRYB104K16
 C 1912 CKSRYB104K16
 C 1913 CKSRYB104K16
 C 1914 CKSRYB104K16

R 1846 RS1/16SS473J
 R 1847 RS1/16SS473J
 R 1849 RS1/16SS392J
 R 1850 RS1/16SS682J
 R 1851 RAB4CQ101J

C 1915 CKSRYB104K16
 C 1916 CKSRYB104K16
 C 1917 CKSRYB104K16
 C 1918 CKSSYB104K10
 C 1919 CKSSYB104K10

R 1852 RS1/16SS101J
 R 1853 RS1/16SS101J
 R 1854 RS1/16SS0R0J
 R 1903 RS1/16SS274J
 R 1904 RS1/16SS103J

C 1920 CSZSR100M16

R 1905 RS1/16SS121J
 R 1906 RS1/16SS2R2J
 R 1916 RS1/16SS104J
 R 1917 RS1/16SS223J
 R 1918 RS1/16SS103J

D
 Unit Number: CWX2953
 Unit Name: CD CORE UNIT(S10WMACODE2)

MISCELLANEOUS

IC 201 IC UPD63761GJ
 IC 203 IC NJM2391DL1-33

<u>Circuit Symbol and No.</u>		<u>Part No.</u>	<u>Circuit Symbol and No.</u>	<u>Part No.</u>
IC 301	IC	BA5835FM	R 261	RS1/16S0R0J
IC 501	IC	S-L2980A15MC-C6A	R 262	RS1/16S0R0J
IC 701	IC	PE5423A	R 263	RS1/16S0R0J
IC 703	IC	S-812C33AJA-C2N	R 264	RS1/16S0R0J
Q 101	Transistor	2SB1132	R 267	RS1/16S0R0J
Q 701	Transistor	UN2111	R 301	RS1/16SS183J
D 101	Diode	1SS355	R 302	RS1/16SS822J
L 203	Inductor	CTF1389	R 304	RS1/16SS183J
L 207	Inductor	CTF1389	R 305	RS1/16SS822J
L 209	Inductor	CTF1389	R 307	RS1/16SS183J
L 703	Inductor	CTF1389	R 308	RS1/16SS183J
L 902	Inductor	CTF1306	R 309	RS1/16SS183J
L 903	Inductor	CTF1306	R 310	RS1/16SS183J
L 904	Inductor	CTF1306	R 501	RS1/16SS0R0J
X 702	Resonator 4.00MHz	CSS1654	R 701	RS1/16S0R0J
S 901	Switch(HOME)	CSN1051	R 702	RS1/16SS0R0J
S 902	Switch(CLAMP)	CSN1051	R 703	RS1/16SS104J
S 903	Spring Switch(DSCSNS)	CSN1052	R 704	RS1/16SS104J
S 904	Switch(12EJ)	CSN1051	R 705	RS1/16SS221J
S 905	Switch(8EJ)	CSN1051	R 706	RS1/16SS221J
			R 707	RS1/16SS0R0J
			R 708	RS1/16SS221J
			R 709	RS1/16SS473J
RESISTORS				
R 101		RS1/10S1R5J		
R 102		RS1/10S1R5J	R 710	RS1/16SS102J
R 103		RS1/10S1R5J	R 711	RS1/16SS102J
R 104		RS1/10S1R5J	R 712	RS1/16SS102J
R 105		RS1/10S1R5J	R 713	RS1/16SS102J
			R 714	RS1/16SS473J
R 107		RS1/16SS0R0J		
R 201		RS1/16SS102J	R 715	RS1/16SS101J
R 202		RS1/16SS333J	R 716	RS1/16SS472J
R 205		RS1/16SS473J	R 717	RS1/16SS221J
R 207		RS1/16SS473J	R 718	RS1/16SS221J
			R 719	RS1/16SS221J
R 209		RS1/16SS473J		
R 210		RS1/16SS0R0J	R 720	RS1/16SS471J
R 214		RS1/16SS472J	R 721	RS1/16S0R0J
R 216		RS1/16SS472J	R 724	RS1/16S473J
R 218		RS1/16SS472J	R 725	RS1/16SS222J
			R 726	RS1/16SS103J
R 220		RS1/16SS472J		
R 221		RS1/16SS103J	R 727	RS1/16SS473J
R 222		RS1/16SS103J	R 729	RS1/16SS223J
R 223		RS1/16SS0R0J	R 730	RS1/16SS473J
R 224		RS1/16SS0R0J	R 731	RS1/16SS104J
			R 732	RS1/16SS104J
R 225		RS1/16SS103J		
R 226		RS1/16SS393J	R 733	RS1/16SS104J
R 227		RS1/16SS562J	R 735	RS1/16SS473J
R 228		RS1/16SS122J	R 737	RS1/16SS104J
R 229		RS1/16SS472J	R 740	RS1/16SS473J
			R 743	RS1/16SS104J
R 231		RS1/16SS0R0J		
R 232		RS1/16SS122J	R 745	RS1/16SS473J
R 233		RS1/16SS0R0J	R 746	RS1/16SS104J
R 237		RS1/16SS221J	R 747	RS1/16SS102J
R 238		RS1/16SS221J	R 750	RS1/16SS473J
			R 751	RS1/16SS102J
R 239		RS1/16SS221J		
R 240		RS1/16SS0R0J	R 754	RS1/16SS102J
R 241		RS1/16SS333J	R 755	RS1/16SS102J
R 243		RS1/16SS333J	R 756	RS1/16SS104J
R 245		RS1/16SS333J	R 765	RAB4CQ221J
			R 769	RAB4CQ221J
R 250		RS1/16SS0R0J		
R 256		RS1/16SS0R0J	R 773	RAB4CQ221J
			R 777	RS1/16SS221J

Circuit Symbol and No.**Part No.****Circuit Symbol and No.****Part No.**

R 778	RS1/16SS221J
R 779	RS1/16SS221J
R 901	RAB4CQ221J
R 902	RS1/16S0R0J
R 905	RS1/16SS221J
R 906	RS1/16SS221J
R 909	RS1/16SS0R0J
R 911	RS1/16SS0R0J

C 505	CKSQYB475K6R3
C 701	CKSSYB104K10
C 702	CKSSYB471K50
C 703	CKSSYB103K16
C 704	4.7 μ F/25V CCH1592
C 706	CKSSYB104K10
C 707	CKSSYB104K10
C 712	CKSRYB224K16
C 713	CKSSYB104K10
C 714	CKSSYB104K10

CAPACITORS

C 101	CKSSYB104K10
C 102	CKSSYB104K10
C 103	100 μ F/16V CCH1504
C 104	47 μ F/6.3V CCH1506
C 105	CKSSYB104K10

C 716	CKSSYB103K16
C 717	CCSSCH180J50
C 718	CCSSCH180J50
C 720	CKSQYB225K10
C 722	CKSRYB105K10

C 106	CCSSCH101J50
C 107	CKSRYB224K16
C 108	CKSSYB104K10
C 110	CKSSYB104K10
C 201	CKSSYB471K50

C 903	CKSSYB471K50
C 906	CKSRYB224K16
C 910	CKSQYB225K10

Miscellaneous Parts List

C 202	CKSSYB104K10
C 203	CKSSYB104K10
C 205	CKSSYB104K10
C 207	220 μ F/4V CCH1590
C 208	CKSSYB104K10

M 1	Pickup Unit(P9.9MP3)(Service)	CXX1805
M 2	Motor Unit(SPINDEL)	CXB6007
M 561	Motor Unit(LOADING/CARRIAGE)	CXB8933
M 571	Fan Motor	CXM1288
	Motor Unit(FLAP)	CXC2204

C 209	CKSSYB104K10
C 216	CKSSYB332K50
C 217	CKSSYB104K10
C 218	CKSSYB223K16
C 219	CKSSYB104K10

C 220	CKSSYB103K16
C 221	CKSSYB104K10
C 222	CCSSCH560J50
C 223	CCSSCH5R0C50
C 224	CKSSYB104K10

C 225	CKSSYB103K16
C 226	CCSSCH680J50
C 227	CCSSCH470J50
C 228	CKSSYB682K25
C 230	CKSSYB104K10

C 232	CKSSYB104K10
C 233	10 μ F/6.3V CCH1470
C 234	220 μ F/4V CCH1590
C 235	CKSRYB224K16
C 237	CKSSYB104K10

C 239	CCSSCH330J50
C 242	CKSSYB104K10
C 246	CKSSYB104K10
C 249	CKSSYB221K50
C 250	CKSRYB102K50

C 251	CKSRYB102K50
C 260	CKSSYB104K10
C 301	CKSSYB221K50
C 302	CKSSYB221K50
C 303	CKSSYB472K25

C 304	CKSSYB103K16
C 305	100 μ F/16V CCH1504
C 306	CKSSYB104K10
C 307	CKSSYB104K10
C 501	CKSRYB224K16