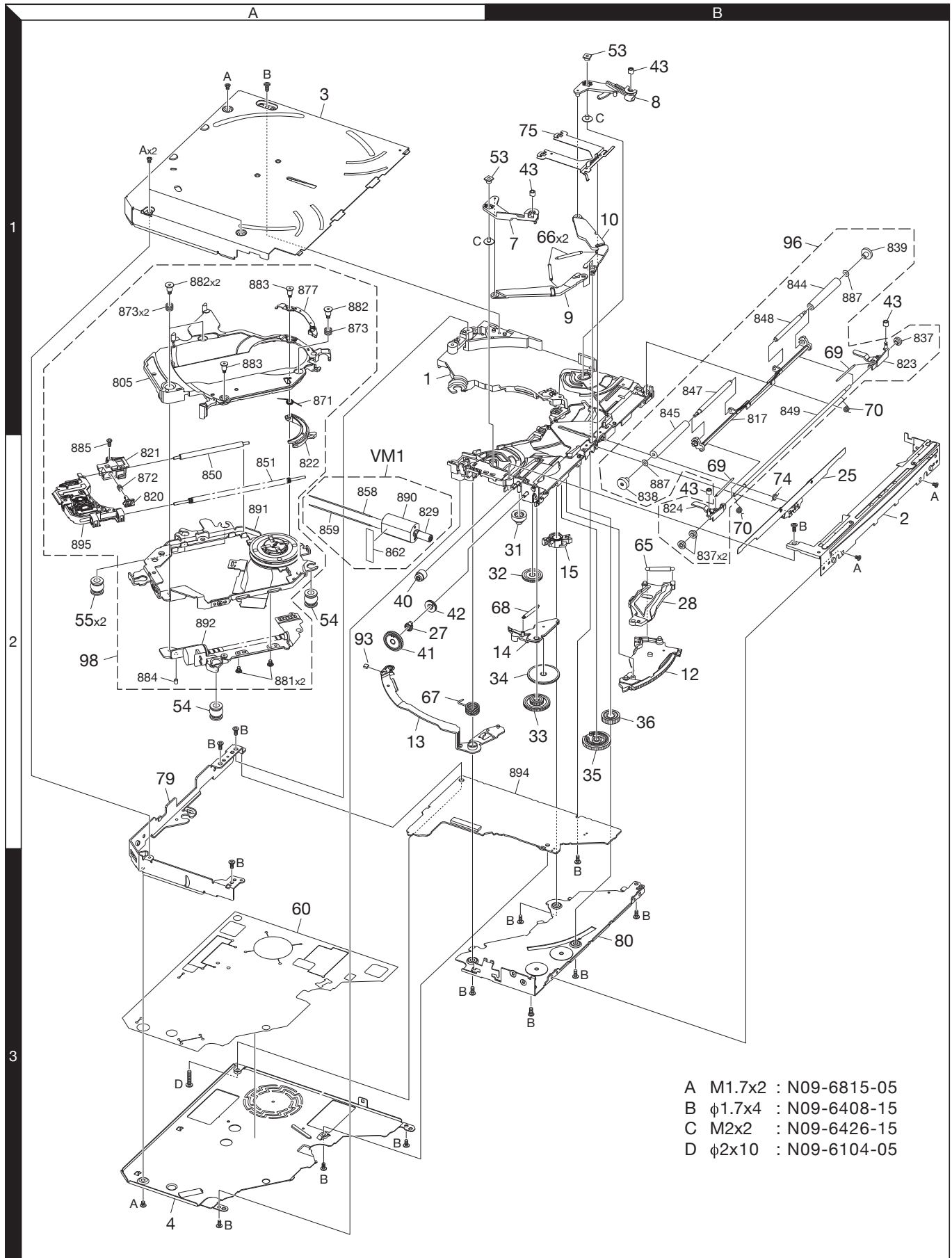


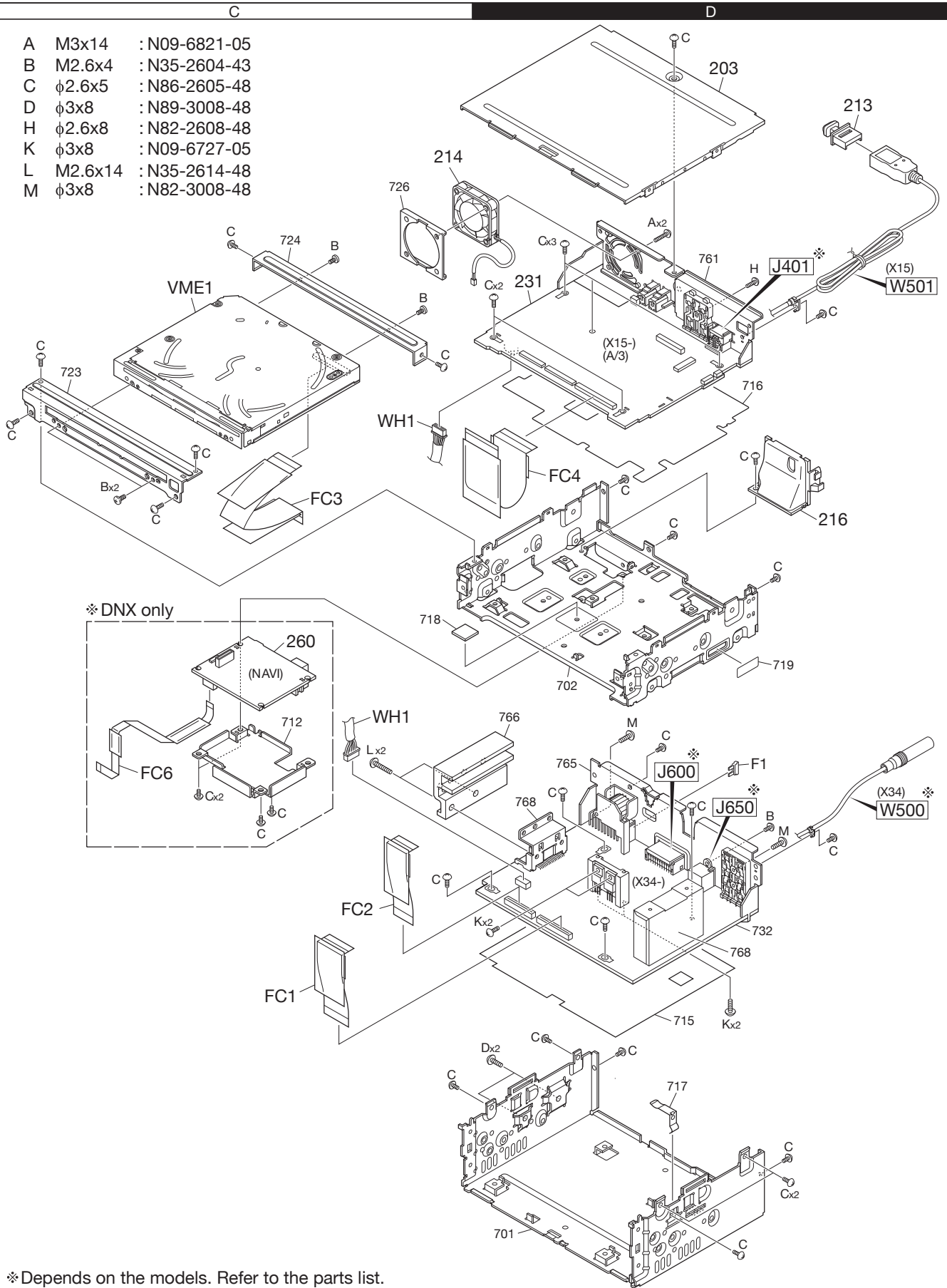
EXPLODED VIEW (DVD MECHANISM)



- A M1.7x2 : N09-6815-05
- B ϕ 1.7x4 : N09-6408-15
- C M2x2 : N09-6426-15
- D ϕ 2x10 : N09-6104-05

EXPLODED VIEW (UNIT)

- A M3x14 : N09-6821-05
- B M2.6x4 : N35-2604-43
- C ϕ 2.6x5 : N86-2605-48
- D ϕ 3x8 : N89-3008-48
- H ϕ 2.6x8 : N82-2608-48
- K ϕ 3x8 : N09-6727-05
- L M2.6x14 : N35-2614-48
- M ϕ 3x8 : N82-3008-48



* DNX only

* Depends on the models. Refer to the parts list.

Parts with the exploded numbers larger than 700 are not supplied.

PARTS LIST

* New parts
 Parts without **Parts No.** are not supplied.
 Les articles non mentionnés dans le **Parts No.** ne sont pas fournis.
 Teile ohne **Parts No.** werden nicht geliefert.

Ref. No.	A d d	N e w	Parts No.	Description	Desti- nation	Ref. No.	A d d	N e w	Parts No.	Description	Desti- nation
DDX5026/5036/5036M/5056/516/6046BT/616						DDX5026/5036/5036M/5056/516/6046BT/616					
DNX5160/5260BT/5360/5360M/6020EX/6160/6460BT/6960						DNX5160/5260BT/5360/5360M/6020EX/6160/6460BT/6960					
203	1D	*	A52-1101-22	TOP PLATE		208	1E		D10-7012-04	LEVER	K4R2K5
RC1	1E		A70-2083-15	REMOTE CONTROLLER ASS (RC-DV340	Q1M3M4	208	1E		D10-7012-04	LEVER	R1E1K3
RC1	1E		A70-2083-15	REMOTE CONTROLLER ASS (RC-DV340	R2E2	208	1E		D10-7012-04	LEVER	E2Q1
RC1	1E		A70-2083-15	REMOTE CONTROLLER ASS (RC-DV340	X2	DC1	1F		E30-6881-25	DC CORD	KK1K2
RC1	1E	*	A70-2107-05	REMOTE CONTROLLER ASS (RC-DV331	KR1M1	DC1	1F		E30-6881-25	DC CORD	M2X1K4
RC1	1E	*	A70-2107-05	REMOTE CONTROLLER ASS (RC-DV331	M2X1	DC1	1F		E30-6881-25	DC CORD	M3M4X2
-		*	B54-4761-00	INSTALLATION MANU (ENG.FRE.SPA)	KK1K2	DC1	1F		E30-6881-25	DC CORD	R1K3M1
-		*	B54-4761-00	INSTALLATION MANU (ENG.FRE.SPA)	R1K3K4	DC1	1F		E30-6881-25	DC CORD	R2K5
-		*	B54-4761-00	INSTALLATION MANU (ENG.FRE.SPA)	R2K5	DC2	1F		E30-6796-15	DC CORD	E1E2Q1
-		*	B54-4762-00	INSTALLATION MANUAL (POR.)	R1R2	FC1	3C	*	E39-1110-05	FLAT CABLE (50P)	
-		*	B54-4763-00	INSTALLATION MANUAL (ENG.)	E1E2Q1	FC2	3C	*	E39-1109-05	FLAT CABLE (40P)	
-		*	B54-4764-00	INSTALLATION MANUA (F.G.D.I.S.P	E1E2	FC3	2C		E39-0997-15	FLAT CABLE (50P)	
-		*	B54-4765-00	INSTALLATION MANUAL (RUS.UKR.)	Q1	FC4	2D	*	E39-1111-05	FLAT CABLE (70P)	
-		*	B54-4766-00	INSTALLATION MANUAL (ENG.)	M1M2X1	WH1	1C	*	E39-1116-05	WIRING HARNESS (20P)	
-		*	B54-4766-00	INSTALLATION MANUAL (ENG.)	M3M4X2	213	1D		F09-2929-04	CAP (USB)	
-		*	B54-4767-00	INSTALLATION MANUAL (S-CHI.HOR.	M1M3	214	1C		F09-2959-05	FAN	
-		*	B54-4768-00	INSTALLATION MANUAL (ARA.)	M2M4	216	2D	*	F19-1823-03	COVER	
-		*	B64-4602-00	INSTRUCTION MANUAL (ENG.)	KK1K2	△ F1	2D		F52-0007-05	FUSE (MINI BLADE TYPE) 15A	
-		*	B64-4602-00	INSTRUCTION MANUAL (ENG.)	R1K3K4	-		*	H54-4766-03	ITEM CARTON CASE	K
-		*	B64-4602-00	INSTRUCTION MANUAL (ENG.)	R2K5	-		*	H54-4767-03	ITEM CARTON CASE	K1
-		*	B64-4603-00	INSTRUCTION MANUAL (FRE.)	KK1K2	-		*	H54-4768-03	ITEM CARTON CASE	K2
-		*	B64-4603-00	INSTRUCTION MANUAL (FRE.)	K3K4K5	-		*	H54-4769-03	ITEM CARTON CASE	R1
-		*	B64-4604-00	INSTRUCTION MANUAL (SPA.)	KK1K2	-		*	H54-4770-03	ITEM CARTON CASE	E1
-		*	B64-4604-00	INSTRUCTION MANUAL (SPA.)	R1K3K4	-		*	H54-4771-03	ITEM CARTON CASE	K3
-		*	B64-4604-00	INSTRUCTION MANUAL (SPA.)	R2K5	-		*	H54-4773-03	ITEM CARTON CASE	M1X1
-		*	B64-4605-00	INSTRUCTION MANUAL (POR.)	R1R2	-		*	H54-4774-03	ITEM CARTON CASE	M2
-		*	B64-4606-00	INSTRUCTION MANUAL (ENG.)	E1E2Q1	-		*	H54-4775-03	ITEM CARTON CASE	K4
-		*	B64-4607-00	INSTRUCTION MANUAL (FRE.)	E1E2	-		*	H54-4776-03	ITEM CARTON CASE	R2
-		*	B64-4608-00	INSTRUCTION MANUAL (GER.)	E1E2	-		*	H54-4777-03	ITEM CARTON CASE	K5
-		*	B64-4609-00	INSTRUCTION MANUAL (DUT.)	E1E2	-		*	H54-4778-03	ITEM CARTON CASE	R3
-		*	B64-4610-00	INSTRUCTION MANUAL (ITA.)	E1E2	-		*	H54-4779-03	ITEM CARTON CASE	E2
-		*	B64-4611-00	INSTRUCTION MANUAL (SPA.)	E1E2	-		*	H54-4780-03	ITEM CARTON CASE	Q1
-		*	B64-4612-00	INSTRUCTION MANUAL (POR.)	E1E2	-		*	H54-4781-03	ITEM CARTON CASE	M3X2
-		*	B64-4613-00	INSTRUCTION MANUAL (RUS.)	Q1	-		*	H54-4782-03	ITEM CARTON CASE	M4
-		*	B64-4614-00	INSTRUCTION MANUAL (UKR.)	Q1	218	1F		H30-0595-04	ADHESIVE DOUBLE-COATED TAPE	M1M2X1
-		*	B64-4615-00	INSTRUCTION MANUAL (ENG.)	M1M2X1	218	1F		H30-0595-04	ADHESIVE DOUBLE-COATED TAPE	M3M4X2
-		*	B64-4615-00	INSTRUCTION MANUAL (ENG.)	M3M4X2	220	1F		J11-0660-05	CLAMPER	KK1K2
-		*	B64-4616-00	INSTRUCTION MANUAL (S-CHI.)	M1M3	220	1F		J11-0660-05	CLAMPER	K3X1
-		*	B64-4617-00	INSTRUCTION MANUAL (KOR.)	M3	221	1E		J21-9867-04	MOUNTING HARDWARE	KK1K2
-		*	B64-4618-00	INSTRUCTION MANUAL (ARA.)	M2M4	221	1E		J21-9867-04	MOUNTING HARDWARE	K3M1M2
-		*	B64-4619-00	INSTRUCTION MANUAL (ENG.FRE.SPA	KK1K2	221	1E		J21-9867-04	MOUNTING HARDWARE	X1E1R1
-		*	B64-4619-00	INSTRUCTION MANUAL (ENG.FRE.SPA	K3	222	1E		J22-0657-03	MOUNTING HARDWARE ASSY	KK1K2
-		*	B64-4621-00	INSTRUCTION MANUAL (ENG.SPA.POR	R1	222	1E		J22-0657-03	MOUNTING HARDWARE ASSY	K4R2K5
-		*	B64-4622-00	INSTRUCTION MANUAL (E.F.G.D.)	E1	222	1E		J22-0657-03	MOUNTING HARDWARE ASSY	R1E1K3
-		*	B64-4623-00	INSTRUCTION MANUAL (ITA.SPA.POR	E1	222	1E		J22-0657-03	MOUNTING HARDWARE ASSY	E2Q1
-		*	B64-4625-00	INSTRUCTION MANUAL (ENG.S-CHI.)	M1	228	1E		N99-1779-15	SCREW SET	KK1K2
-		*	B64-4626-00	INSTRUCTION MANUAL (ENG.)	M2X1	228	1E		N99-1779-15	SCREW SET	M2X1K4
-		*	B64-4627-00	INSTRUCTION MANUAL (ARA.)	M2	228	1E		N99-1779-15	SCREW SET	M3M4X2
205	1E		B07-3165-02	ESCUTCHEON	M1M2X1	228	1E		N99-1779-15	SCREW SET	R1K3M1
206	1F		B07-3172-12	ESCUTCHEON	M3M4X2	228	1E		N99-1779-15	SCREW SET	R2K5
206	1F		B07-3172-12	ESCUTCHEON	M3M4X2	A	1D	*	N09-6821-05	MACHINE SCREW (M3X14)	
208	1E		D10-7012-04	LEVER	KK1K2	B	1C		N35-2604-43	BINDING HEAD MACHINE SCREW	
						C	3D		N86-2605-48	BINDING HEAD TAPTITE SCREW	

E1: DNX5260BT E2: DDX5026 (Europe) Q1: DDX5056 (Russian)
 K: DNX6960 K1: DNX6160 K2: DNX6020EX K3: DNX5160 K4: DDX616 K5: DDX516 (North America)
 X1: DNX5360 X2: DDX5036 (Australia) R1: DNX6460BT R2: DDX6046BT (Latin America)
 M1: DNX5360 M2: DNX5360M M3: DDX5036 M4: DDX5036M (Other Areas)

△ Indicates safety critical components.

PARTS LIST

DDX5026/5036/5036M/5056/516/6046BT/616
 DNX5160/5260BT/5360/5360M/6020EX/6160/6460BT/6960

Ref. No.	A d d	N e w	Parts No.	Description	Desti- nation
D	3D		N89-3008-48	BINDING HEAD TAPTITE SCREW	
229	1F	*	W01-1768-05	MICROPHONE	KK1K2
229	1F	*	W01-1768-05	MICROPHONE	R1E1K4
229	1F	*	W01-1768-05	MICROPHONE	R2
230	1E		W02-5304-05	ANTENNA MODULE (GPS)	KK1K2
230	1E		W02-5304-05	ANTENNA MODULE (GPS)	K3M1M2
230	1E		W02-5304-05	ANTENNA MODULE (GPS)	X1E1R1
231	1D	*	X15-1410-10	VIDEO CONTROL UNIT	K4
231	1D	*	X15-1410-11	VIDEO CONTROL UNIT	K5
231	1D	*	X15-1410-21	VIDEO CONTROL UNIT	M3
231	1D	*	X15-1410-22	VIDEO CONTROL UNIT	M4
231	1D	*	X15-1410-71	VIDEO CONTROL UNIT	X2
231	1D	*	X15-1412-71	VIDEO CONTROL UNIT	E2
231	1D	*	X15-1413-21	VIDEO CONTROL UNIT	R2
231	1D	*	X15-1413-81	VIDEO CONTROL UNIT	Q1
231	1D	*	X15-1460-10	VIDEO CONTROL UNIT	K1
231	1D	*	X15-1460-11	VIDEO CONTROL UNIT	K2
231	1D	*	X15-1460-12	VIDEO CONTROL UNIT	K3
231	1D	*	X15-1460-13	VIDEO CONTROL UNIT	K
231	1D	*	X15-1460-21	VIDEO CONTROL UNIT	M1
231	1D	*	X15-1460-22	VIDEO CONTROL UNIT	M2
231	1D	*	X15-1460-71	VIDEO CONTROL UNIT	X1
231	1D	*	X15-1462-71	VIDEO CONTROL UNIT	E1
231	1D	*	X15-1463-21	VIDEO CONTROL UNIT	R1
VME1		*	X92-6540-00	DVD MECHANISM ASSY (DVS-8230W)	
DISPLAY ASSY					
PA1	2E	*	A64-5073-01	PANEL	K
PA1	2E	*	A64-5074-01	PANEL	K1
PA1	2E	*	A64-5075-01	PANEL	K2
PA1	2E	*	A64-5076-01	PANEL	R1
PA1	2E	*	A64-5077-01	PANEL	E1
PA1	2E	*	A64-5078-01	PANEL	K3
PA1	2E	*	A64-5080-01	PANEL	M1M2X1
PA1	2E	*	A64-5081-01	PANEL	K4
PA1	2E	*	A64-5082-01	PANEL	R2
PA1	2E	*	A64-5083-01	PANEL	K5
PA1	2E	*	A64-5085-01	PANEL	E2
PA1	2E	*	A64-5086-01	PANEL	Q1
PA1	2E	*	A64-5087-01	PANEL	M3M4X2
235	2E	*	B09-0548-03	CAP	KK1K2
235	2E	*	B09-0548-03	CAP	K3M1M2
235	2E	*	B09-0548-03	CAP	X1E1R1
236	2E	*	B10-5370-04	FRONT GLASS (REMO)	
237	2E	*	B19-2564-04	LIGHTING BOARD (TRIANGLE)	
238	2E	*	B19-2565-02	LIGHTING BOARD (KEY)	
239	2E	*	B43-1518-04	BADGE	
LCD1	3E	*	B38-1223-05	LCD	
FC5	2E	*	E39-1112-05	FLAT CABLE (20P)	
241	3E	*	F12-0990-04	SHIELDING TUBE	
242	2F	*	F19-1824-02	BLIND PLATE	
243	3F	*	F20-2526-03	INSULATING SHEET	

Ref. No.	A d d	N e w	Parts No.	Description	Desti- nation
245	3F	*	G11-3767-04	CUSHION	
248	2E	*	K24-5066-03	PUSH KNOB (EJECT)	
249	2E	*	K24-5067-04	PUSH KNOB (RESET)	
250	2E	*	K28-0408-03	KNOB ASSY (VOL)	
252	2E	*	K28-0413-04	KNOB ASSY (NAV)	KK1K2
252	2E	*	K28-0413-04	KNOB ASSY (NAV)	K3M1M2
252	2E	*	K28-0413-04	KNOB ASSY (NAV)	X1E1R1
252	2E	*	K28-0414-04	KNOB ASSY (TOP)	K4K5M3
252	2E	*	K28-0414-04	KNOB ASSY (TOP)	M4X2E2
252	2E	*	K28-0414-04	KNOB ASSY (TOP)	R2Q1
253	2E	*	K28-0415-04	KNOB ASSY (SRC)	
254	2E	*	K28-0416-03	KNOB ASSY (TEL/FNC)	KK1K2
254	2E	*	K28-0416-03	KNOB ASSY (TEL/FNC)	R1K3K4
254	2E	*	K28-0416-03	KNOB ASSY (TEL/FNC)	R2K5
254	2E	*	K28-0417-03	KNOB ASSY (TEL/FNC)	E1E2Q1
254	2E	*	K28-0425-03	KNOB ASSY (TEL/FNC)	M1M2X1
254	2E	*	K28-0425-03	KNOB ASSY (TEL/FNC)	M3M4X2
F	2F		N35-2004-48	BINDING HEAD MACHINE SCREW	
G	2F		N80-2008-43	PAN HEAD TAPTITE SCREW	
256	3E	*	S79-0870-05	SWITCH ASSY	
257	2E	*	X16-6860-10	SWITCH UNIT	
258	3F	*	X35-5060-10	VIDEO UNIT	
CONTROL ASSY					
FC6	2C	*	E39-1115-05	FLAT CABLE	KK1K2
FC6	2C	*	E39-1115-05	FLAT CABLE	K3M1M2
FC6	2C	*	E39-1115-05	FLAT CABLE	X1E1R1
260	2C	*	W02-5382-05	NAVIGATION MODULE (NA)	KK1K2
260	2C	*	W02-5382-05	NAVIGATION MODULE (NA)	K3
260	2C	*	W02-5383-05	NAVIGATION MODULE (EU)	E1
260	2C	*	W02-5384-05	NAVIGATION MODULE (BASE MAP)	R1M1M2
260	2C	*	W02-5384-05	NAVIGATION MODULE (BASE MAP)	X1
VIDEO CONTROL UNIT (X15-141/146x-xx)					
C1		*	C90-6939-05	ELECTRO	2200UF 16WV
C2 ,3			CK73GB1H104K	CHIP C	0.10UF K
C10			CK73GB1A105K	CHIP C	1.0UF K
C11			CE32BQ1C221M	CHIP EL	220UF 16WV
C12			CK73FB0J106K	CHIP C	10UF K
C13 -16			CK73GB1A105K	CHIP C	1.0UF K
C18			CK73GB1H104K	CHIP C	0.10UF K
C19			CE32BQ1E101M	CHIP EL	100UF 25WV
C20			CK73GB1H103K	CHIP C	0.010UF K
C21			CK73GB1H104K	CHIP C	0.10UF K
C51			CE32BJ1C100M	CHIP EL	10UF 16WV
C52			CE32BJ0J470M	CHIP EL	47UF 6.3WV
C53			CK73GB1H103K	CHIP C	0.010UF K
C54			CK73HB1E103K	CHIP C	0.010UF K
C55			CK73HB1A104K	CHIP C	0.10UF K
C57			CK73FB1A225K	CHIP C	2.2UF K
C58			CK73GB1H102K	CHIP C	1000PF K
C100			CC73GCH1H471J	CHIP C	470PF J
C101			CC73GCH1H470J	CHIP C	47PF J
C102			CK73GB1H103K	CHIP C	0.010UF K

E1: DNX5260BT E2: DDX5026 (Europe) Q1: DDX5056 (Russian)

△ Indicates safety critical components.

K: DNX6960 K1: DNX6160 K2: DNX6020EX K3: DNX5160 K4: DDX616 K5: DDX516 (North America)

66 X1: DNX5360 X2: DDX5036 (Australia) R1: DNX6460BT R2: DDX6046BT (Latin America)

M1: DNX5360 M2: DNX5360M M3: DDX5036 M4: DDX5036M (Other Areas)

PARTS LIST

VIDEO CONTROL UNIT (X15-141/146x-xx)

Ref. No.	Add	New	Parts No.	Description	Destination	Ref. No.	Add	New	Parts No.	Description	Destination
C103,104			CC73GCH1H470J	CHIP C 47PF J		C209,210			CG73HCH1H120J	CHIP C 12PF J	
C105			CK73GB1H103K	CHIP C 0.010UF K		C212,213			CK73HB1A104K	CHIP C 0.10UF K	
C106			CK73GB1H223K	CHIP C 0.022UF K		C215			CK73HB1A104K	CHIP C 0.10UF K	
C107			CK73GB1H682K	CHIP C 6800PF K		C216			CK73HB1E103K	CHIP C 0.010UF K	
C108,109			CC73GCH1H101J	CHIP C 100PF J		C218			CK73HB1A104K	CHIP C 0.10UF K	
C110,111			CK73GB1H102K	CHIP C 1000PF K		C221			CK73HB1A104K	CHIP C 0.10UF K	
C112			CK73GB1H103K	CHIP C 0.010UF K		C223,224			CK73HB1A104K	CHIP C 0.10UF K	
C113			CK73GB1H102K	CHIP C 1000PF K		C225			CK73HB1E103K	CHIP C 0.010UF K	E1M1M2
C114			CC73GCH1H101J	CHIP C 100PF J		C225			CK73HB1E103K	CHIP C 0.010UF K	M3M4X2
C115,116			CK73GB1H104K	CHIP C 0.10UF K		C225			CK73HB1E103K	CHIP C 0.010UF K	X1E2Q1
C117			CK73FB0J106K	CHIP C 10UF K		C227			CK73HB1A104K	CHIP C 0.10UF K	KK1K2
C118			CK73GB1H104K	CHIP C 0.10UF K		C227			CK73HB1A104K	CHIP C 0.10UF K	K5M3M4
C119			CK73EB1E225K	CHIP C 2.2UF K		C227			CK73HB1A104K	CHIP C 0.10UF K	M2X1K4
C120			CK73GB1H104K	CHIP C 0.10UF K		C227			CK73HB1A104K	CHIP C 0.10UF K	R1K3M1
C121			CK73GB1H103K	CHIP C 0.010UF K		C227			CK73HB1A104K	CHIP C 0.10UF K	Q1
C122,123			CK73GB1H104K	CHIP C 0.10UF K		C227			CK73HB1A104K	CHIP C 0.10UF K	X2E2R2
C124,125			CK73GB1H103K	CHIP C 0.010UF K		C231,232			CK73HB1A104K	CHIP C 0.10UF K	
C126			CK73GB1H104K	CHIP C 0.10UF K		C233-236			CK73HB1E103K	CHIP C 0.010UF K	
C127,128			CK73EB1E106K	CHIP C 10UF K		C238			CK73HB1E103K	CHIP C 0.010UF K	
C131,132			CK73EB1E106K	CHIP C 10UF K		C239			CK73HB1A104K	CHIP C 0.10UF K	
C133			CK73GB1H104K	CHIP C 0.10UF K		C240			CK73HB1E103K	CHIP C 0.010UF K	
C134			CK73GB1H103K	CHIP C 0.010UF K		C241			CC73HCH1H102J	CHIP C 1000PF J	
C135-138			CK73GB1H102K	CHIP C 1000PF K		C242,243			CK73HB1E103K	CHIP C 0.010UF K	
C139			CE32AV0G331M	CHIP EL 330UF 4.0WV		C244,245			CK73HB0J105K	CHIP C 1.0UF K	
C140			CE32AV0J221M	CHIP EL 220UF 6.3WV		C246			CC73GCH1H150J	CHIP C 15PF J	K4K5M3
C141,142			CK73GB1H104K	CHIP C 0.10UF K		C246			CC73GCH1H150J	CHIP C 15PF J	M4X2E2
C143,144			CK73GB1H103K	CHIP C 0.010UF K		C246			CC73GCH1H150J	CHIP C 15PF J	R2Q1
C151,152			CK73GB1H104K	CHIP C 0.10UF K		C247			CK73HB1E103K	CHIP C 0.010UF K	KK1K2
C153,154			CK73GB1H103K	CHIP C 0.010UF K		C247			CK73HB1E103K	CHIP C 0.010UF K	K3M1M2
C155,156			CK73GB1H102K	CHIP C 1000PF K		C247			CK73HB1E103K	CHIP C 0.010UF K	X1E1R1
C159-162			CK73EB1E106K	CHIP C 10UF K		C248-251			CK73HB1A104K	CHIP C 0.10UF K	
C163,164			CK73GB1H104K	CHIP C 0.10UF K		C252			CK73HB1E103K	CHIP C 0.010UF K	
C165,166			CK73GB1H103K	CHIP C 0.010UF K		C301			CK73GB1H103K	CHIP C 0.010UF K	
C167,168			CK73GB1H104K	CHIP C 0.10UF K		C302			CK73GB1H104K	CHIP C 0.10UF K	
C169-172			CK73GB1H102K	CHIP C 1000PF K		C304			CK73GB1H471K	CHIP C 470PF K	
C173			CE32AV0J221M	CHIP EL 220UF 6.3WV		C305			CK73EB1E106K	CHIP C 10UF K	
C174			CE32AV0G331M	CHIP EL 330UF 4.0WV		C401,402			CC73GCH1H150J	CHIP C 15PF J	K4K5M3
C175,176			CK73GB1H104K	CHIP C 0.10UF K		C401,402			CC73GCH1H150J	CHIP C 15PF J	M4X2E2
C177,178			CK73GB1H103K	CHIP C 0.010UF K		C401,402			CC73GCH1H150J	CHIP C 15PF J	R2Q1
C179,180			CC73GCH1H101J	CHIP C 100PF J		C405,406			CK73GB1A474K	CHIP C 0.47UF K	
C181,182			CK73GB1H103K	CHIP C 0.010UF K		C407	*		CE32BR0J470M	CHIP EL 47UF 6.3WV	
C183,184			CK73GB1H682K	CHIP C 6800PF K		C408			CK73GB1H103K	CHIP C 0.010UF K	KK1K2
C185-188			CC73GCH1H470J	CHIP C 47PF J		C408			CK73GB1H103K	CHIP C 0.010UF K	K3M1M2
C189			CK73GB1H103K	CHIP C 0.010UF K		C408			CK73GB1H103K	CHIP C 0.010UF K	X1E1R1
C190			CK73GB1H102K	CHIP C 1000PF K		C409			CK73GB1H104K	CHIP C 0.10UF K	KK1K2
C191			CC73GCH1H101J	CHIP C 100PF J		C409			CK73GB1H104K	CHIP C 0.10UF K	K3M1M2
C192			CK73FB0J106K	CHIP C 10UF K		C409			CK73GB1H104K	CHIP C 0.10UF K	X1E1R1
C193			CK73GB1H104K	CHIP C 0.10UF K		C411			CK73HB1E103K	CHIP C 0.010UF K	
C194			CK73EB1E225K	CHIP C 2.2UF K		C412			CE32BD1A101M	CHIP EL 100UF 10WV	KK1K2
C195			CK73GB1H104K	CHIP C 0.10UF K		C412			CE32BD1A101M	CHIP EL 100UF 10WV	K3M1M2
C201			CK73FB0J106K	CHIP C 10UF K		C412			CE32BD1A101M	CHIP EL 100UF 10WV	X1E1R1
C202			CK73GB1H222K	CHIP C 2200PF K		C413			CK73HB1E103K	CHIP C 0.010UF K	KK1K2
C203			CK73FB0J106K	CHIP C 10UF K		C413			CK73HB1E103K	CHIP C 0.010UF K	K3M1M2
C204			CK73GB1H222K	CHIP C 2200PF K		C413			CK73HB1E103K	CHIP C 0.010UF K	X1E1R1
C207,208			CC73HCH1H080D	CHIP C 8.0PF D		C414			CC73GCH1H150J	CHIP C 15PF J	KK1K2

E1: DNX5260BT E2: DDX5026 (Europe) Q1: DDX5056 (Russian)
 K: DNX6960 K1: DNX6160 K2: DNX6020EX K3: DNX5160 K4: DDX616 K5: DDX516 (North America)
 X1: DNX5360 X2: DDX5036 (Australia) R1: DNX6460BT R2: DDX6046BT (Latin America)
 M1: DNX5360 M2: DNX5360M M3: DDX5036 M4: DDX5036M (Other Areas)

△ Indicates safety critical components.

PARTS LIST

VIDEO CONTROL UNIT (X15-141/146x-xx)

Ref. No.	Ad	New	Parts No.	Description	Desti- nation	Ref. No.	Ad	New	Parts No.	Description	Desti- nation
C414			CC73GCH1H150J	CHIP C 15PF J	K3M1M2	C541			CK73HB1A104K	CHIP C 0.10UF K	
C414			CC73GCH1H150J	CHIP C 15PF J	X1E1R1	C542			CK73FB0J106K	CHIP C 10UF K	
C414,415			CC73GCH1H150J	CHIP C 15PF J	K4K5M3	C543			CK73HB1A104K	CHIP C 0.10UF K	
C414,415			CC73GCH1H150J	CHIP C 15PF J	M4X2E2	C601,602			CK73GB1A105K	CHIP C 1.0UF K	
C414,415			CC73GCH1H150J	CHIP C 15PF J	R2Q1	C603			CK73GB1H104K	CHIP C 0.10UF K	
C451			CK73FB0J106K	CHIP C 10UF K	KK1K2	C605-607			CK73GB1A105K	CHIP C 1.0UF K	
C451			CK73FB0J106K	CHIP C 10UF K	R1E1K4	C608,609	*		CE32BR1C220M	CHIP EL 22UF 16WV	
C451			CK73FB0J106K	CHIP C 10UF K	R2	C612			CK73GB1H104K	CHIP C 0.10UF K	
C452			CK73HB1A104K	CHIP C 0.10UF K	KK1K2	C613			CE32BQ0J331M	CHIP EL 330UF 6.3WV	
C452			CK73HB1A104K	CHIP C 0.10UF K	R1E1K4	C614			CE32BJ1C470M	CHIP EL 47UF 16WV	
C452			CK73HB1A104K	CHIP C 0.10UF K	R2	C615			CE32BJ1C100M	CHIP EL 10UF 16WV	
C453			CC73GCH1H150J	CHIP C 15PF J	E2Q1M3	C616,617			CK73GB1H102K	CHIP C 1000PF K	
C453			CC73GCH1H150J	CHIP C 15PF J	K3M1M2	C618			CE32BJ1C100M	CHIP EL 10UF 16WV	
C453			CC73GCH1H150J	CHIP C 15PF J	M4X2	C631			CK73GB1A105K	CHIP C 1.0UF K	
C453			CC73GCH1H150J	CHIP C 15PF J	X1K5	C632			CK73HB0J105K	CHIP C 1.0UF K	
C455,456			CC73HCH1H101J	CHIP C 100PF J	KK1K2	C633			CK73HB1A104K	CHIP C 0.10UF K	
C455,456			CC73HCH1H101J	CHIP C 100PF J	R1E1K4	C634			CK73HB0J105K	CHIP C 1.0UF K	
C455,456			CC73HCH1H101J	CHIP C 100PF J	R2	C635			CK73HB1A104K	CHIP C 0.10UF K	
C458			CC73GCH1H150J	CHIP C 15PF J	E2Q1M3	C637			CK73FB0J106K	CHIP C 10UF K	
C458			CC73GCH1H150J	CHIP C 15PF J	K3M1M2	C638-640			CK73GB1A105K	CHIP C 1.0UF K	
C458			CC73GCH1H150J	CHIP C 15PF J	M4X2	C641			CK73FB0J106K	CHIP C 10UF K	
C458			CC73GCH1H150J	CHIP C 15PF J	X1K5	C643,644			CK73HB1A104K	CHIP C 0.10UF K	
C459			CC73HCH1H331J	CHIP C 330PF J	KK1K2	C645,646			CK73EB1A106K	CHIP C 10UF K	
C459			CC73HCH1H331J	CHIP C 330PF J	R1E1K4	C647,648			CK73HB1H222K	CHIP C 2200PF K	
C459			CC73HCH1H331J	CHIP C 330PF J	R2	C649			CK73HB1A104K	CHIP C 0.10UF K	
C460,461			CK73GB1A105K	CHIP C 1.0UF K	KK1K2	C650			CK73FB0J106K	CHIP C 10UF K	
C460,461			CK73GB1A105K	CHIP C 1.0UF K	R1E1K4	C651			CK73HB1A104K	CHIP C 0.10UF K	
C460,461			CK73GB1A105K	CHIP C 1.0UF K	R2	C652			CK73HB0J105K	CHIP C 1.0UF K	
C462			CK73HB1A104K	CHIP C 0.10UF K	KK1K2	C653			CK73HB1H221K	CHIP C 220PF K	
C462			CK73HB1A104K	CHIP C 0.10UF K	R1E1K4	C654-656			CK73FB0J226M	CHIP C 22UF M	
C462			CK73HB1A104K	CHIP C 0.10UF K	R2	C657			CK73HB1H221K	CHIP C 220PF K	
C463			CC73HCH1H101J	CHIP C 100PF J	KK1K2	C658			CK73HB1E103K	CHIP C 0.010UF K	
C463			CC73HCH1H101J	CHIP C 100PF J	R1E1K4	C661			CK73GB1A105K	CHIP C 1.0UF K	
C463			CC73HCH1H101J	CHIP C 100PF J	R2	C662,663			CK73HB1A104K	CHIP C 0.10UF K	
C464			CK73HB1A104K	CHIP C 0.10UF K	KK1K2	C664			CK73FB0J106K	CHIP C 10UF K	
C464			CK73HB1A104K	CHIP C 0.10UF K	R1E1K4	C671			CK73HB1A104K	CHIP C 0.10UF K	
C464			CK73HB1A104K	CHIP C 0.10UF K	R2	C674			CK73HB1H102K	CHIP C 1000PF K	
C466			CE32BJ1C100M	CHIP EL 10UF 16WV	KK1K2	C675,676			CK73GB0J475K	CHIP C 4.7UF K	
C466			CE32BJ1C100M	CHIP EL 10UF 16WV	R1E1K4	C677			CK73FB0J106K	CHIP C 10UF K	
C466			CE32BJ1C100M	CHIP EL 10UF 16WV	R2	C704			CK73FB0J106K	CHIP C 10UF K	
C467			CE32BQ0J331M	CHIP EL 330UF 6.3WV	KK1K2	C707			CK73FB0J106K	CHIP C 10UF K	
C467			CE32BQ0J331M	CHIP EL 330UF 6.3WV	R1E1K4	C708			CE32BQ0J560M	CHIP EL 56UF 6.3WV	
C467			CE32BQ0J331M	CHIP EL 330UF 6.3WV	R2	C709			CK73FB0J106K	CHIP C 10UF K	
C477			CK73HB1A104K	CHIP C 0.10UF K	KK1K2	C712-714			CK73HB1A104K	CHIP C 0.10UF K	
C477			CK73HB1A104K	CHIP C 0.10UF K	R1E1K4	C718,719			CK73HB1E103K	CHIP C 0.010UF K	
C477			CK73HB1A104K	CHIP C 0.10UF K	R2	C800-813			CK73HB1A104K	CHIP C 0.10UF K	
C478			CK73GB1H102K	CHIP C 1000PF K	KK1K2	C814			CK73FB0J106K	CHIP C 10UF K	
C478			CK73GB1H102K	CHIP C 1000PF K	K3M1M2	C815,816			CC73HCH1H470J	CHIP C 47PF J	
C478			CK73GB1H102K	CHIP C 1000PF K	X1E1R1	C817,818			CK73HB1A104K	CHIP C 0.10UF K	
C503			CK73FB0J106K	CHIP C 10UF K		C819			CK73FB0J106K	CHIP C 10UF K	
C507			CC73HCH1H101J	CHIP C 100PF J		C820,821			CK73HB1A104K	CHIP C 0.10UF K	
C509			CE32BQ0J221M	CHIP EL 220UF 6.3WV		C822			CK73HB1E103K	CHIP C 0.010UF K	
C520			CC73GCH1H150J	CHIP C 15PF J		C823			CK73FB0J106K	CHIP C 10UF K	
C532			CK73FB0J106K	CHIP C 10UF K		C824			CK73HB1A104K	CHIP C 0.10UF K	
C534			CK73FB0J106K	CHIP C 10UF K		C825			CC73HCH1H150J	CHIP C 15PF J	

E1: DNX5260BT E2: DDX5026 (Europe) Q1: DDX5056 (Russian)

△ Indicates safety critical components.

K: DNX6960 K1: DNX6160 K2: DNX6020EX K3: DNX5160 K4: DDX616 K5: DDX516 (North America)

68 X1: DNX5360 X2: DDX5036 (Australia) R1: DNX6460BT R2: DDX6046BT (Latin America)

M1: DNX5360 M2: DNX5360M M3: DDX5036 M4: DDX5036M (Other Areas)

PARTS LIST

VIDEO CONTROL UNIT (X15-141/146x-xx)

Ref. No.	Add	New	Parts No.	Description	Destination	Ref. No.	Add	New	Parts No.	Description	Destination
C826			CK73HB1E103K	CHIP C 0.010UF K		J674		*	E68-0824-05	JACK (OTHERS)	K3M1M2
C827			CK73HB1A104K	CHIP C 0.10UF K		J674		*	E68-0824-05	JACK (OTHERS)	X1E1R1
C828			CC73HCH1H150J	CHIP C 15PF J		W501	1D	*	E30-6928-05	CORD WITH PLUG (USB)	
C829-838			CK73HB1A104K	CHIP C 0.10UF K		F301			F53-0372-05	FUSE (3.15A)	
C839,840			CC73HCH1H100D	CHIP C 10PF D		L102		*	L33-2603-05	CHOKE COIL	
C841-860			CK73HB1A104K	CHIP C 0.10UF K		L103		*	L33-2602-05	CHOKE COIL	
C870			CK73FB0J106K	CHIP C 10UF K		L107		*	L33-2600-05	CHOKE COIL	
C900,901			CK73HB1A104K	CHIP C 0.10UF K		L108		*	L33-2601-05	CHOKE COIL	
C920,921			CC73HCH1H101J	CHIP C 100PF J		L201,202		*	L92-0332-05	CHIP FERRITE	
C922-926			CK73HB1A104K	CHIP C 0.10UF K		L301			L33-2457-05	SMALL FIXED INDUCTOR	
C927,928			CC73HCH1H101J	CHIP C 100PF J		L403			L33-2457-05	SMALL FIXED INDUCTOR	KK1K2
C929			CK73HB1A104K	CHIP C 0.10UF K		L403			L33-2457-05	SMALL FIXED INDUCTOR	K3M1M2
C930,931			CC73HCH1H101J	CHIP C 100PF J		L403			L33-2457-05	SMALL FIXED INDUCTOR	X1E1R1
C932-935			CK73HB1A104K	CHIP C 0.10UF K		L451			L92-0373-05	CHIP FERRITE	KK1K2
C936,937			CK73FB0J106K	CHIP C 10UF K		L451			L92-0373-05	CHIP FERRITE	R1E1K4
C938-941			CK73HB1A104K	CHIP C 0.10UF K		L451			L92-0373-05	CHIP FERRITE	R2
C942			CK73FB0J106K	CHIP C 10UF K		L501			L92-0641-05	FERRITE CORE	
C943			CK73GB0J225K	CHIP C 2.2UF K		L503			L92-0373-05	CHIP FERRITE	
C944-950			CK73HB1A104K	CHIP C 0.10UF K		L602			L41-1005-33	SMALL FIXED INDUCTOR (10U)	
C951			CK73HB0J105K	CHIP C 1.0UF K		L631			L41-1005-33	SMALL FIXED INDUCTOR (10U)	
C952			CK73HB1A104K	CHIP C 0.10UF K		L671			L41-1005-33	SMALL FIXED INDUCTOR (10U)	
C953			CK73FB0J106K	CHIP C 10UF K		L700			L92-0373-05	CHIP FERRITE	
C954			CE32BQQJ331M	CHIP EL 330UF 6.3WV		L800-802			L92-0373-05	CHIP FERRITE	
C955			CK73HB1A104K	CHIP C 0.10UF K		L803			L92-0376-05	CHIP FERRITE	
C956			CK73FB0J106K	CHIP C 10UF K		L804-806			L92-0373-05	CHIP FERRITE	
C957-965			CK73HB1A104K	CHIP C 0.10UF K		L808,809			L92-0373-05	CHIP FERRITE	
C968			CK73HB1A104K	CHIP C 0.10UF K		L920-922			L92-0373-05	CHIP FERRITE	
CN1			E41-2958-05	PIN ASSY		L925			L92-0373-05	CHIP FERRITE	
CN51			E41-2624-05	FLAT CABLE CONNECTOR		X201			L77-2921-15	CRYSTAL RESONATOR (32.768KHZ)	
CN52			E41-2603-05	FLAT CABLE CONNECTOR		X202			L77-2974-05	CRYSTAL RESONATOR (11.0592MHZ)	
CN53			E41-2264-05	PIN ASSY		X800			L77-2951-05	CRYSTAL RESONATOR (12.00MHZ)	
CN54			E41-2248-05	PIN ASSY		X801			L77-2886-05	CRYSTAL RESONATOR (27.00MHZ)	
CN55			E41-2735-05	PIN ASSY		H	1D		N82-2608-48	BINDING HEAD TAPTITE SCREW	
CN301			E41-2985-05	FLAT CABLE CONNECTOR		CP201-204			RK74HB1J101J	CHIP-COM 100 J 1/16W	
CN401	*		E41-3171-05	SOCKET FOR PIN ASSY	KK1K2	CP701			RK74HB1J101J	CHIP-COM 100 J 1/16W	
CN401	*		E41-3171-05	SOCKET FOR PIN ASSY	K3M1M2	CP702			RK74HB1J103J	CHIP-COM 10K J 1/16W	
CN401	*		E41-3171-05	SOCKET FOR PIN ASSY	X1E1R1	CP704			RK74HB1J101J	CHIP-COM 100 J 1/16W	
CN451	*		E41-3170-05	PIN ASSY	KK1K2	CP705			RK74HB1J103J	CHIP-COM 10K J 1/16W	
CN451	*		E41-3170-05	PIN ASSY	R1E1K4	CP706-709			RK74HB1J101J	CHIP-COM 100 J 1/16W	
CN451	*		E41-3170-05	PIN ASSY	R2	CP800-804			RK74HB1J220J	CHIP-COM 22 J 1/16W	
CN700			E41-2979-05	FLAT CABLE CONNECTOR		CP920-927			RK74HB1J220J	CHIP-COM 22 J 1/16W	
CN752	*		E41-3145-05	FLAT CABLE CONNECTOR	KK1K2	CP929-933			RK74HB1J220J	CHIP-COM 22 J 1/16W	
CN752	*		E41-3145-05	FLAT CABLE CONNECTOR	K3M1M2	CP934,935			RK74HB1J331J	CHIP-COM 330 J 1/16W	
CN752	*		E41-3145-05	FLAT CABLE CONNECTOR	X1E1R1	CP936-939			RK74HB1J220J	CHIP-COM 22 J 1/16W	
J401			E56-0809-15	CYLINDRICAL RECEPTACLE	K4K5M3	CP940-944			RK74HB1J331J	CHIP-COM 330 J 1/16W	
J401			E56-0809-15	CYLINDRICAL RECEPTACLE	M4X2E2	CP945-948			RK74HB1J220J	CHIP-COM 22 J 1/16W	
J401			E56-0809-15	CYLINDRICAL RECEPTACLE	R2Q1	CP949-955			RK74HB1J331J	CHIP-COM 330 J 1/16W	
J451			E11-0625-05	PHONE JACK (LGY6502-0900)	KK1K2	R1			RK73GH2A104D	CHIP R 100K D 1/10W	
J451			E11-0625-05	PHONE JACK (LGY6502-0900)	R1E1K4	R2			RK73GH2A513D	CHIP R 51K D 1/10W	
J451			E11-0625-05	PHONE JACK (LGY6502-0900)	R2	R3			RK73GH2A333D	CHIP R 33K D 1/10W	
J601	*		E63-0980-05	PIN JACK		R4 ,5			RK73GB2A224J	CHIP R 220K J 1/10W	
J671			E11-0625-05	PHONE JACK (LGY6502-0900)		R6			RK73GH2A113D	CHIP R 11K D 1/10W	
J672			E11-0656-05	PHONE JACK (3.5D YELLOW)		R7			RK73GH2A104D	CHIP R 100K D 1/10W	
J674			E68-0824-05	JACK (OTHERS)	KK1K2						

E1: DNX5260BT E2: DDX5026 (Europe) Q1: DDX5056 (Russian)
 K: DNX6960 K1: DNX6160 K2: DNX6020EX K3: DNX5160 K4: DDX616 K5: DDX516 (North America)
 X1: DNX5360 X2: DDX5036 (Australia) R1: DNX6460BT R2: DDX6046BT (Latin America)
 M1: DNX5360 M2: DNX5360M M3: DDX5036 M4: DDX5036M (Other Areas)

△ Indicates safety critical components.

PARTS LIST

VIDEO CONTROL UNIT (X15-141/146x-xx)

Ref. No.	Ad	New	Parts No.	Description	Destination	Ref. No.	Ad	New	Parts No.	Description	Destination
R8			RK73GH2A683D	CHIP R 68K D 1/10W		R157			RK73GH2A562D	CHIP R 5.6K D 1/10W	
R9 ,10			RK73GH2A334D	CHIP R 330K D 1/10W		R158			RK73GH2A103D	CHIP R 10K D 1/10W	
R11 ,12			RK73GB2A224J	CHIP R 220K J 1/10W		R159			RK73GH2A511D	CHIP R 510 D 1/10W	
R13			RK73GB2A000J	CHIP R 0.0 J 1/10W		R160			RK73GH2A561D	CHIP R 560 D 1/10W	
R14			RK73GB2A224J	CHIP R 220K J 1/10W		R161,162			RK73GB2A000J	CHIP R 0.0 J 1/10W	
R16 -18			RK73GB2A000J	CHIP R 0.0 J 1/10W		R163,164			RK73GB2A823J	CHIP R 82K J 1/10W	
R20 ,21			RK73GB2A000J	CHIP R 0.0 J 1/10W		R165			RK73GB2A000J	CHIP R 0.0 J 1/10W	
R27 -31			RK73GB2A000J	CHIP R 0.0 J 1/10W		R166			RK73FB2B2R2J	CHIP R 2.2 J 1/8W	
R32			RK73GB2A473J	CHIP R 47K J 1/10W		R167			RK73GB2A103J	CHIP R 10K J 1/10W	
R33			RK73GB2A152J	CHIP R 1.5K J 1/10W		R168			RK73GB2A000J	CHIP R 0.0 J 1/10W	
R34 ,35			RK73GB2A000J	CHIP R 0.0 J 1/10W		R169-171			RK73HB1J000J	CHIP R 0.0 J 1/16W	
R41			RK73GB2A823J	CHIP R 82K J 1/10W		R180-189			RK73GB2A000J	CHIP R 0.0 J 1/10W	
R42			RK73GB2A103J	CHIP R 10K J 1/10W		R201,202			RK73HB1J000J	CHIP R 0.0 J 1/16W	
R43			RK73GB2A224J	CHIP R 220K J 1/10W		R204			RK73HB1J104J	CHIP R 100K J 1/16W	
R44			RK73GB2A333J	CHIP R 33K J 1/10W		R205			RK73HB1J222J	CHIP R 2.2K J 1/16W	
R45			RK73GB2A224J	CHIP R 220K J 1/10W		R206,207			RK73HB1J104J	CHIP R 100K J 1/16W	
R51			RK73HB1J100J	CHIP R 10 J 1/16W		R210			RK73HB1J104J	CHIP R 100K J 1/16W	KK1K2
R52 ,53			RK73HB1J103J	CHIP R 10K J 1/16W		R210			RK73HB1J104J	CHIP R 100K J 1/16W	R1K3K4
R54			RK73FB2B1R0J	CHIP R 1.0 J 1/8W		R210			RK73HB1J104J	CHIP R 100K J 1/16W	R2K5
R55			RK73GB2A100J	CHIP R 10 J 1/10W		R210-215			RK73HB1J104J	CHIP R 100K J 1/16W	E2Q1M3
R56 -59			RK73HB1J101J	CHIP R 100 J 1/16W		R210-215			RK73HB1J104J	CHIP R 100K J 1/16W	M1M2X1
R60 -62			RK73HB1J000J	CHIP R 0.0 J 1/16W		R210-215			RK73HB1J104J	CHIP R 100K J 1/16W	M4X2
R63 -71			RK73GB2A101J	CHIP R 100 J 1/10W		R210-216			RK73HB1J104J	CHIP R 100K J 1/16W	E1
R100			RK73GB2A473J	CHIP R 47K J 1/10W		R212-215			RK73HB1J104J	CHIP R 100K J 1/16W	KK1K2
R101			RK73GH2A471D	CHIP R 470 D 1/10W		R212-215			RK73HB1J104J	CHIP R 100K J 1/16W	R1K3K4
R102			RK73GH2A681D	CHIP R 680 D 1/10W		R212-215			RK73HB1J104J	CHIP R 100K J 1/16W	R2K5
R103			RK73GB2A823J	CHIP R 82K J 1/10W		R217			RK73HB1J104J	CHIP R 100K J 1/16W	KK1K2
R104,105			RK73HB1J000J	CHIP R 0.0 J 1/16W		R217			RK73HB1J104J	CHIP R 100K J 1/16W	K5M3M4
R106			RK73GB2A000J	CHIP R 0.0 J 1/10W		R217			RK73HB1J104J	CHIP R 100K J 1/16W	M2X1K4
R107			RK73GH2A183D	CHIP R 18K D 1/10W		R217			RK73HB1J104J	CHIP R 100K J 1/16W	R1K3M1
R108			RK73GH2A562D	CHIP R 5.6K D 1/10W		R217			RK73HB1J104J	CHIP R 100K J 1/16W	Q1
R109			RK73GB2A000J	CHIP R 0.0 J 1/10W		R217			RK73HB1J104J	CHIP R 100K J 1/16W	X2E2R2
R110			RK73GH2A103D	CHIP R 10K D 1/10W		R219-221			RK73HB1J101J	CHIP R 100 J 1/16W	
R111			RK73GH2A333D	CHIP R 33K D 1/10W		R222			RK73HB1J104J	CHIP R 100K J 1/16W	
R112-115			RK73GB2A100J	CHIP R 10 J 1/10W		R223			RK73HB1J101J	CHIP R 100 J 1/16W	KK1K2
R116			RK73GB2A103J	CHIP R 10K J 1/10W		R223			RK73HB1J101J	CHIP R 100 J 1/16W	R1K3K4
R117,118			RK73GB2A000J	CHIP R 0.0 J 1/10W		R223			RK73HB1J101J	CHIP R 100 J 1/16W	R2K5
R119			RK73FB2B2R2J	CHIP R 2.2 J 1/8W		R223-225			RK73HB1J101J	CHIP R 100 J 1/16W	E1M1M2
R120			RK73GB2A100J	CHIP R 10 J 1/10W		R223-225			RK73HB1J101J	CHIP R 100 J 1/16W	M3M4X2
R121			RK73GB2A2R2J	CHIP R 2.2 J 1/10W		R223-225			RK73HB1J101J	CHIP R 100 J 1/16W	X1E2Q1
R122			RK73GB2A100J	CHIP R 10 J 1/10W		R225			RK73HB1J101J	CHIP R 100 J 1/16W	KK1K2
R123			RK73GB2A2R2J	CHIP R 2.2 J 1/10W		R225			RK73HB1J101J	CHIP R 100 J 1/16W	R1K3K4
R124,125			RK73EB2E100J	CHIP R 10 J 1/4W		R225			RK73HB1J101J	CHIP R 100 J 1/16W	R2K5
R126			R92-5275-05	CHIP METAL-R 0.062 1/3W		R226			RK73HB1J000J	CHIP R 0.0 J 1/16W	
R128,129		*	R92-5243-05	CHIP METAL-R 0.047 1/3W		R227			RK73GB2A101J	CHIP R 100 J 1/10W	
R132			RK73HB1J000J	CHIP R 0.0 J 1/16W		R228			RK73HB1J182J	CHIP R 1.8K J 1/16W	
R141,142			RK73GB2A100J	CHIP R 10 J 1/10W		R229			RK73HB1J473J	CHIP R 47K J 1/16W	
R143,144			RK73GB2A2R2J	CHIP R 2.2 J 1/10W		R230-235			RK73HB1J101J	CHIP R 100 J 1/16W	
R145,146			RK73EB2E100J	CHIP R 10 J 1/4W		R236			RK73HB1J000J	CHIP R 0.0 J 1/16W	
R147			R92-5276-05	CHIP METAL-R 0.033 1/3W		R237			RK73HB1J473J	CHIP R 47K J 1/16W	
R148			R92-5244-05	CHIP METAL-R 0.039 1/3W		R238,239			RK73HB1J103J	CHIP R 10K J 1/16W	
R149			R92-5276-05	CHIP METAL-R 0.033 1/3W		R240			RK73HB1J473J	CHIP R 47K J 1/16W	
R150			R92-5244-05	CHIP METAL-R 0.039 1/3W		R241			RK73HB1J103J	CHIP R 10K J 1/16W	
R151-154			RK73GB2A100J	CHIP R 10 J 1/10W		R242,243			RK73HB1J101J	CHIP R 100 J 1/16W	
R155,156			RK73GH2A333D	CHIP R 33K D 1/10W		R246			RK73HB1J473J	CHIP R 47K J 1/16W	

E1: DNX5260BT E2: DDX5026 (Europe) Q1: DDX5056 (Russian)

△ Indicates safety critical components.

K: DNX6960 K1: DNX6160 K2: DNX6020EX K3: DNX5160 K4: DDX616 K5: DDX516 (North America)

70 X1: DNX5360 X2: DDX5036 (Australia) R1: DNX6460BT R2: DDX6046BT (Latin America)

M1: DNX5360 M2: DNX5360M M3: DDX5036 M4: DDX5036M (Other Areas)

PARTS LIST

VIDEO CONTROL UNIT (X15-141/146x-xx)

Ref. No.	Add	New	Parts No.	Description	Destination	Ref. No.	Add	New	Parts No.	Description	Destination
R247			RK73HB1J103J	CHIP R 10K J 1/16W		R287			RK73HB1J104J	CHIP R 100K J 1/16W	R1K3K4
R250			RK73GB2A000J	CHIP R 0.0 J 1/10W		R287			RK73HB1J104J	CHIP R 100K J 1/16W	R2K5
R251			RK73HB1J000J	CHIP R 0.0 J 1/16W		R288			RK73HB1J104J	CHIP R 100K J 1/16W	E1M1M2
R252			RK73HB1J101J	CHIP R 100 J 1/16W		R288			RK73HB1J104J	CHIP R 100K J 1/16W	M3M4X2
R254-256			RK73HB1J101J	CHIP R 100 J 1/16W		R288			RK73HB1J104J	CHIP R 100K J 1/16W	X1E2Q1
R257			RK73HB1J472J	CHIP R 4.7K J 1/16W		R291			RK73HB1J101J	CHIP R 100 J 1/16W	
R258			RK73HB1J101J	CHIP R 100 J 1/16W		R292			RK73HB1J104J	CHIP R 100K J 1/16W	
R259			RK73HB1J472J	CHIP R 4.7K J 1/16W		R295			RK73HB1J104J	CHIP R 100K J 1/16W	
R260			RK73HB1J101J	CHIP R 100 J 1/16W		R294			RK73HB1J101J	CHIP R 100 J 1/16W	
R261-263			RK73HB1J104J	CHIP R 100K J 1/16W		R296			RK73HB1J104J	CHIP R 100K J 1/16W	
R264			RK73HB1J103J	CHIP R 10K J 1/16W		R297			RK73HB1J101J	CHIP R 100 J 1/16W	
R265,266			RK73HB1J101J	CHIP R 100 J 1/16W		R298			RK73HB1J104J	CHIP R 100K J 1/16W	E1K3M1
R267			RK73HB1J102J	CHIP R 1.0K J 1/16W		R298			RK73HB1J104J	CHIP R 100K J 1/16W	K1K2R1
R268			RK73HB1J104J	CHIP R 100K J 1/16W		R298			RK73HB1J104J	CHIP R 100K J 1/16W	K5M3M4
R269			RK73HB1J101J	CHIP R 100 J 1/16W		R298			RK73HB1J104J	CHIP R 100K J 1/16W	M2X1K4
R270			RK73HB1J104J	CHIP R 100K J 1/16W	E2Q1M3	R298			RK73HB1J104J	CHIP R 100K J 1/16W	Q1
R270			RK73HB1J104J	CHIP R 100K J 1/16W	K3M1M2	R298			RK73HB1J104J	CHIP R 100K J 1/16W	X2E2R2
R270			RK73HB1J104J	CHIP R 100K J 1/16W	M4X2	R299			RK73HB1J104J	CHIP R 100K J 1/16W	K
R270			RK73HB1J104J	CHIP R 100K J 1/16W	X1K5	R300			RK73HB1J101J	CHIP R 100 J 1/16W	
R271			RK73HB1J104J	CHIP R 100K J 1/16W	KK1K2	R301,302			RK73HB1J104J	CHIP R 100K J 1/16W	
R271			RK73HB1J104J	CHIP R 100K J 1/16W	R1E1K4	R304			RK73HB1J103J	CHIP R 10K J 1/16W	
R271			RK73HB1J104J	CHIP R 100K J 1/16W	R2	R305			RK73HB1J101J	CHIP R 100 J 1/16W	
R272			RK73HB1J103J	CHIP R 10K J 1/16W		R306			RK73HB1J104J	CHIP R 100K J 1/16W	
R273			RK73HB1J104J	CHIP R 100K J 1/16W	E1K3M1	R307			RK73HB1J101J	CHIP R 100 J 1/16W	
R273			RK73HB1J104J	CHIP R 100K J 1/16W	K1K2R1	R308			RK73HB1J104J	CHIP R 100K J 1/16W	
R273			RK73HB1J104J	CHIP R 100K J 1/16W	K5M3M4	R309			RK73HB1J101J	CHIP R 100 J 1/16W	
R273			RK73HB1J104J	CHIP R 100K J 1/16W	M2X1K4	R310			RK73HB1J104J	CHIP R 100K J 1/16W	
R273			RK73HB1J104J	CHIP R 100K J 1/16W	Q1	R311			RK73HB1J101J	CHIP R 100 J 1/16W	
R273			RK73HB1J104J	CHIP R 100K J 1/16W	X2E2R2	R313			RK73HB1J104J	CHIP R 100K J 1/16W	
R274			RK73HB1J104J	CHIP R 100K J 1/16W	K	R315			RK73HB1J104J	CHIP R 100K J 1/16W	
R275			RK73HB1J101J	CHIP R 100 J 1/16W		R316			RK73HB1J101J	CHIP R 100 J 1/16W	
R276			RK73HB1J104J	CHIP R 100K J 1/16W	K2M2M4	R317			RK73HB1J123J	CHIP R 12K J 1/16W	
R276,277			RK73HB1J104J	CHIP R 100K J 1/16W	E1K3M1	R319			RK73HB1J104J	CHIP R 100K J 1/16W	
R276,277			RK73HB1J104J	CHIP R 100K J 1/16W	KK1R1	R320			RK73HB1J223J	CHIP R 22K J 1/16W	
R276,277			RK73HB1J104J	CHIP R 100K J 1/16W	K5E2	R321			RK73HB1J101J	CHIP R 100 J 1/16W	
R276,277			RK73HB1J104J	CHIP R 100K J 1/16W	Q1M3X2	R322			RK73HB1J104J	CHIP R 100K J 1/16W	
R276,277			RK73HB1J104J	CHIP R 100K J 1/16W	X1K4R2	R323			RK73HB1J101J	CHIP R 100 J 1/16W	
R278			RK73HB1J104J	CHIP R 100K J 1/16W	K2M2M4	R324			RK73HB1J123J	CHIP R 12K J 1/16W	
R279			RK73HB1J000J	CHIP R 0.0 J 1/16W	E1M1M2	R325			RK73HB1J102J	CHIP R 1.0K J 1/16W	
R279			RK73HB1J000J	CHIP R 0.0 J 1/16W	M3M4X2	R326,327			RK73HB1J222J	CHIP R 2.2K J 1/16W	
R279			RK73HB1J000J	CHIP R 0.0 J 1/16W	X1E2Q1	R328,329			RK73HB1J101J	CHIP R 100 J 1/16W	
R280			RK73HB1J000J	CHIP R 0.0 J 1/16W	KK1K2	R330			RK73HB1J222J	CHIP R 2.2K J 1/16W	
R280			RK73HB1J000J	CHIP R 0.0 J 1/16W	R1K3K4	R331			RK73HB1J104J	CHIP R 100K J 1/16W	KK1K2
R280			RK73HB1J000J	CHIP R 0.0 J 1/16W	R2K5	R331			RK73HB1J104J	CHIP R 100K J 1/16W	K3M1M2
R281			RK73HB1J473J	CHIP R 47K J 1/16W	E1M1M2	R331			RK73HB1J104J	CHIP R 100K J 1/16W	X1E1R1
R281			RK73HB1J473J	CHIP R 47K J 1/16W	M3M4X2	R332			RK73HB1J000J	CHIP R 0.0 J 1/16W	K4K5M3
R281			RK73HB1J473J	CHIP R 47K J 1/16W	X1E2Q1	R332			RK73HB1J000J	CHIP R 0.0 J 1/16W	M4X2E2
R282			RK73HB1J103J	CHIP R 10K J 1/16W	KK1K2	R332			RK73HB1J000J	CHIP R 0.0 J 1/16W	R2Q1
R282			RK73HB1J103J	CHIP R 10K J 1/16W	K5M3M4	R333			RK73GB2A100J	CHIP R 10 J 1/10W	K4K5M3
R282			RK73HB1J103J	CHIP R 10K J 1/16W	M2X1K4	R333			RK73GB2A100J	CHIP R 10 J 1/10W	M4X2E2
R282			RK73HB1J103J	CHIP R 10K J 1/16W	R1K3M1	R333			RK73GB2A100J	CHIP R 10 J 1/10W	R2Q1
R282			RK73HB1J103J	CHIP R 10K J 1/16W	Q1	R334			RK73HB1J103J	CHIP R 10K J 1/16W	K4K5M3
R282			RK73HB1J103J	CHIP R 10K J 1/16W	X2E2R2	R334			RK73HB1J103J	CHIP R 10K J 1/16W	M4X2E2
R285			RK73GB2A000J	CHIP R 0.0 J 1/10W		R334			RK73HB1J103J	CHIP R 10K J 1/16W	R2Q1
R287			RK73HB1J104J	CHIP R 100K J 1/16W	KK1K2	R335			RK73GB2A103J	CHIP R 10K J 1/10W	KK1K2

E1: DNX5260BT E2: DDX5026 (Europe) Q1: DDX5056 (Russian)
 K: DNX6960 K1: DNX6160 K2: DNX6020EX K3: DNX5160 K4: DDX616 K5: DDX516 (North America)
 X1: DNX5360 X2: DDX5036 (Australia) R1: DNX6460BT R2: DDX6046BT (Latin America)
 M1: DNX5360 M2: DNX5360M M3: DDX5036 M4: DDX5036M (Other Areas)

△ Indicates safety critical components.

PARTS LIST

VIDEO CONTROL UNIT (X15-141/146x-xx)

Ref. No.	Ad	New	Parts No.	Description	Destination	Ref. No.	Ad	New	Parts No.	Description	Destination
R335			RK73GB2A103J	CHIP R 10K J 1/10W	K3K4K5	R408-410			RK73HB1J000J	CHIP R 0.0 J 1/16W	K3M1M2
R335			RK73GB2A153J	CHIP R 15K J 1/10W	M1M2M3	R408-410			RK73HB1J000J	CHIP R 0.0 J 1/16W	X1E1R1
R335			RK73GB2A153J	CHIP R 15K J 1/10W	M4	R411,412			RK73HB1J100J	CHIP R 10 J 1/16W	KK1K2
R335			RK73GB2A242J	CHIP R 2.4K J 1/10W	E1E2	R411,412			RK73HB1J100J	CHIP R 10 J 1/16W	K3M1M2
R335			RK73GB2A393J	CHIP R 39K J 1/10W	X1X2	R411,412			RK73HB1J100J	CHIP R 10 J 1/16W	X1E1R1
R335			RK73GB2A682J	CHIP R 6.8K J 1/10W	Q1	R413,414			RK73EB2E100J	CHIP R 10 J 1/4W	K4K5M3
R336			RK73HB1J103J	CHIP R 10K J 1/16W	KK1K2	R413,414			RK73EB2E100J	CHIP R 10 J 1/4W	M4X2E2
R336			RK73HB1J103J	CHIP R 10K J 1/16W	K3M1M2	R413,414			RK73EB2E100J	CHIP R 10 J 1/4W	R2Q1
R336			RK73HB1J103J	CHIP R 10K J 1/16W	X1E1R1	R415			RK73EB2E4R7J	CHIP R 4.7 J 1/4W	K4K5M3
R337			RK73GB2A103J	CHIP R 10K J 1/10W	M2X1R2	R415			RK73EB2E4R7J	CHIP R 4.7 J 1/4W	M4X2E2
R337			RK73GB2A103J	CHIP R 10K J 1/10W	M3M4X2	R415			RK73EB2E4R7J	CHIP R 4.7 J 1/4W	R2Q1
R337			RK73GB2A103J	CHIP R 10K J 1/10W	R1E1M1	R416-418			RK73GB2A100J	CHIP R 10 J 1/10W	
R337			RK73GB2A103J	CHIP R 10K J 1/10W	E2Q1	R419,420			RK73EB2E101J	CHIP R 100 J 1/4W	K4K5M3
R339			RK73HB1J104J	CHIP R 100K J 1/16W		R419,420			RK73EB2E101J	CHIP R 100 J 1/4W	M4X2E2
R342			RK73HB1J104J	CHIP R 100K J 1/16W		R419,420			RK73EB2E101J	CHIP R 100 J 1/4W	R2Q1
R344			RK73HB1J104J	CHIP R 100K J 1/16W		R421-424			RK73GB2A750J	CHIP R 75 J 1/10W	K4K5M3
R345			RK73HB1J102J	CHIP R 1.0K J 1/16W		R421-424			RK73GB2A750J	CHIP R 75 J 1/10W	M4X2E2
R346			RK73HB1J000J	CHIP R 0.0 J 1/16W		R421-424			RK73GB2A750J	CHIP R 75 J 1/10W	R2Q1
R347-349			RK73HB1J104J	CHIP R 100K J 1/16W		R425-427			RK73EB2E100J	CHIP R 10 J 1/4W	K4K5M3
R350-352			RK73HB1J101J	CHIP R 100 J 1/16W		R425-427			RK73EB2E100J	CHIP R 10 J 1/4W	M4X2E2
R353,354			RK73HB1J102J	CHIP R 1.0K J 1/16W		R425-427			RK73EB2E100J	CHIP R 10 J 1/4W	R2Q1
R355-363			RK73HB1J101J	CHIP R 100 J 1/16W		R428			RK73EB2E101J	CHIP R 100 J 1/4W	K4K5M3
R364-366			RK73HB1J470J	CHIP R 47 J 1/16W		R428			RK73EB2E101J	CHIP R 100 J 1/4W	M4X2E2
R370			RK73HB1J000J	CHIP R 0.0 J 1/16W		R428			RK73EB2E101J	CHIP R 100 J 1/4W	R2Q1
R371-375			RK73HB1J101J	CHIP R 100 J 1/16W		R429-431			RK73GB2A000J	CHIP R 0.0 J 1/10W	K4K5M3
R378			RK73HB1J101J	CHIP R 100 J 1/16W		R429-431			RK73GB2A000J	CHIP R 0.0 J 1/10W	M4X2E2
R379,380			RK73HB1J000J	CHIP R 0.0 J 1/16W		R429-431			RK73GB2A000J	CHIP R 0.0 J 1/10W	R2Q1
R383			RK73GB2A103J	CHIP R 10K J 1/10W	X1X2	R432			RK73GB2A100J	CHIP R 10 J 1/10W	K4K5M3
R384			RK73GB2A103J	CHIP R 10K J 1/10W	E2Q1M3	R432			RK73GB2A100J	CHIP R 10 J 1/10W	M4X2E2
R384			RK73GB2A103J	CHIP R 10K J 1/10W	KK1K2	R432			RK73GB2A100J	CHIP R 10 J 1/10W	R2Q1
R384			RK73GB2A103J	CHIP R 10K J 1/10W	M1M2K4	R433-435			RK73GH2A750D	CHIP R 75 D 1/10W	KK1K2
R384			RK73GB2A103J	CHIP R 10K J 1/10W	M4	R433-435			RK73GH2A750D	CHIP R 75 D 1/10W	K3M1M2
R384			RK73GB2A103J	CHIP R 10K J 1/10W	R1E1K3	R433-435			RK73GH2A750D	CHIP R 75 D 1/10W	X1E1R1
R384			RK73GB2A103J	CHIP R 10K J 1/10W	R2K5	R436			RK73EB2E102J	CHIP R 1.0K J 1/4W	K4K5M3
R385			RK73HB1J104J	CHIP R 100K J 1/16W	KK1K2	R436			RK73EB2E102J	CHIP R 1.0K J 1/4W	M4X2E2
R385			RK73HB1J104J	CHIP R 100K J 1/16W	K3K4K5	R436			RK73EB2E102J	CHIP R 1.0K J 1/4W	R2Q1
R386			RK73HB1J104J	CHIP R 100K J 1/16W	M2X1R2	R437			RK73HB1J4R7J	CHIP R 4.7 J 1/16W	KK1K2
R386			RK73HB1J104J	CHIP R 100K J 1/16W	M3M4X2	R437			RK73HB1J4R7J	CHIP R 4.7 J 1/16W	K3M1M2
R386			RK73HB1J104J	CHIP R 100K J 1/16W	R1E1M1	R437			RK73HB1J4R7J	CHIP R 4.7 J 1/16W	X1E1R1
R386			RK73HB1J104J	CHIP R 100K J 1/16W	E2Q1	R438			RK73HB1J101J	CHIP R 100 J 1/16W	KK1K2
R387			RK73HB1J103J	CHIP R 10K J 1/16W		R438			RK73HB1J101J	CHIP R 100 J 1/16W	R1E1K4
R394			RK73GB2A100J	CHIP R 10 J 1/10W		R438			RK73HB1J101J	CHIP R 100 J 1/16W	R2K5
R401,402			RK73GB2A100J	CHIP R 10 J 1/10W	K4K5M3	R439-442			RK73HB1J000J	CHIP R 0.0 J 1/16W	KK1K2
R401,402			RK73GB2A100J	CHIP R 10 J 1/10W	M4X2E2	R439-442			RK73HB1J000J	CHIP R 0.0 J 1/16W	K3M1M2
R401,402			RK73GB2A100J	CHIP R 10 J 1/10W	R2Q1	R439-442			RK73HB1J000J	CHIP R 0.0 J 1/16W	X1E1R1
R403,404			RK73HB1J100J	CHIP R 10 J 1/16W	KK1K2	R441,442			RK73HB1J000J	CHIP R 0.0 J 1/16W	K4K5M3
R403,404			RK73HB1J100J	CHIP R 10 J 1/16W	K3M1M2	R441,442			RK73HB1J000J	CHIP R 0.0 J 1/16W	M4X2E2
R403,404			RK73HB1J100J	CHIP R 10 J 1/16W	X1E1R1	R441,442			RK73HB1J000J	CHIP R 0.0 J 1/16W	R2Q1
R405			RK73GB2A100J	CHIP R 10 J 1/10W	K4K5M3	R443			RK73HB1J104J	CHIP R 100K J 1/16W	
R405			RK73GB2A100J	CHIP R 10 J 1/10W	M4X2E2	R445			RK73HB1J101J	CHIP R 100 J 1/16W	
R405			RK73GB2A100J	CHIP R 10 J 1/10W	R2Q1	R446-450			RK73HB1J000J	CHIP R 0.0 J 1/16W	KK1K2
R407			RK73HB1J101J	CHIP R 100 J 1/16W	KK1K2	R446-450			RK73HB1J000J	CHIP R 0.0 J 1/16W	K3M1M2
R407			RK73HB1J101J	CHIP R 100 J 1/16W	K3M1M2	R446-450			RK73HB1J000J	CHIP R 0.0 J 1/16W	X1E1R1
R407			RK73HB1J101J	CHIP R 100 J 1/16W	X1E1R1	R448			RK73HB1J000J	CHIP R 0.0 J 1/16W	K4K5M3
R408-410			RK73HB1J000J	CHIP R 0.0 J 1/16W	KK1K2	R448			RK73HB1J000J	CHIP R 0.0 J 1/16W	M4X2E2

E1: DNX5260BT E2: DDX5026 (Europe) Q1: DDX5056 (Russian)

△ Indicates safety critical components.

K: DNX6960 K1: DNX6160 K2: DNX6020EX K3: DNX5160 K4: DDX616 K5: DDX516 (North America)

72 X1: DNX5360 X2: DDX5036 (Australia) R1: DNX6460BT R2: DDX6046BT (Latin America)

M1: DNX5360 M2: DNX5360M M3: DDX5036 M4: DDX5036M (Other Areas)

PARTS LIST

VIDEO CONTROL UNIT (X15-141/146x-xx)

Ref. No.	Add	New	Parts No.	Description	Destination	Ref. No.	Add	New	Parts No.	Description	Destination
R448			RK73HB1J000J	CHIP R 0.0 J 1/16W	R2Q1	R508			RK73HB1J472J	CHIP R 4.7K J 1/16W	
R451			RK73HB1J100J	CHIP R 10 J 1/16W	KK1K2	R509			RK73HB1J220J	CHIP R 22 J 1/16W	
R451			RK73HB1J100J	CHIP R 10 J 1/16W	R1E1K4	R511			RK73GB2A100J	CHIP R 10 J 1/10W	
R451			RK73HB1J100J	CHIP R 10 J 1/16W	R2	R512			RK73EB2E000J	CHIP R 0.0 J 1/4W	
R453			RK73HB1J102J	CHIP R 1.0K J 1/16W	KK1K2	R519			RK73HB1J220J	CHIP R 22 J 1/16W	
R453			RK73HB1J102J	CHIP R 1.0K J 1/16W	R1E1K4	R522			RK73HB1J103J	CHIP R 10K J 1/16W	
R453			RK73HB1J102J	CHIP R 1.0K J 1/16W	R2	R529			RK73GH2A162D	CHIP R 1.6K D 1/10W	
R456			RK73GB2A100J	CHIP R 10 J 1/10W	E2Q1M3	R530			RK73GH2A102D	CHIP R 1.0K D 1/10W	
R456			RK73GB2A100J	CHIP R 10 J 1/10W	K3M1M2	R535			RK73GB2A000J	CHIP R 0.0 J 1/10W	
R456			RK73GB2A100J	CHIP R 10 J 1/10W	M4X2	R540-542			RK73HB1J000J	CHIP R 0.0 J 1/16W	
R456			RK73GB2A100J	CHIP R 10 J 1/10W	X1K5	R543,544			RK73HB1J103J	CHIP R 10K J 1/16W	
R459			RK73GB2A100J	CHIP R 10 J 1/10W	E2Q1M3	R546			RK73HB1J473J	CHIP R 47K J 1/16W	
R459			RK73GB2A100J	CHIP R 10 J 1/10W	K3M1M2	R547			RK73HB1J331J	CHIP R 330 J 1/16W	
R459			RK73GB2A100J	CHIP R 10 J 1/10W	M4X2	R548			RK73HB1J103J	CHIP R 10K J 1/16W	
R459			RK73GB2A100J	CHIP R 10 J 1/10W	X1K5	R549			RK73HB1J102J	CHIP R 1.0K J 1/16W	
R460			RK73GB2A473J	CHIP R 47K J 1/10W	KK1K2	R550			RK73HB1J223J	CHIP R 22K J 1/16W	
R460			RK73GB2A473J	CHIP R 47K J 1/10W	R1E1K4	R602			RK73GH2A471D	CHIP R 470 D 1/10W	
R460			RK73GB2A473J	CHIP R 47K J 1/10W	R2	R603			RK73HB1J332J	CHIP R 3.3K J 1/16W	
R461,462			RK73GB2A103J	CHIP R 10K J 1/10W	KK1K2	R604			RK73EB2E750J	CHIP R 75 J 1/4W	
R461,462			RK73GB2A103J	CHIP R 10K J 1/10W	R1E1K4	R605			RK73GH2A750D	CHIP R 75 D 1/10W	
R461,462			RK73GB2A103J	CHIP R 10K J 1/10W	R2	R606			RK73EB2E101J	CHIP R 100 J 1/4W	
R463			RK73HB1J473J	CHIP R 47K J 1/16W	KK1K2	R607			RK73HB1J100J	CHIP R 10 J 1/16W	
R463			RK73HB1J473J	CHIP R 47K J 1/16W	R1E1K4	R608			RK73HB1J103J	CHIP R 10K J 1/16W	
R463			RK73HB1J473J	CHIP R 47K J 1/16W	R2	R609-611			RK73GB2A000J	CHIP R 0.0 J 1/10W	
R464			RK73GB2A473J	CHIP R 47K J 1/10W	KK1K2	R613			RK73HB1J332J	CHIP R 3.3K J 1/16W	
R464			RK73GB2A473J	CHIP R 47K J 1/10W	R1E1K4	R615			RK73EB2E101J	CHIP R 100 J 1/4W	
R464			RK73GB2A473J	CHIP R 47K J 1/10W	R2	R616			RK73GB2A471J	CHIP R 470 J 1/10W	
R465,466			RK73GB2A223J	CHIP R 22K J 1/10W	KK1K2	R617			RK73GB2A223J	CHIP R 22K J 1/10W	
R465,466			RK73GB2A223J	CHIP R 22K J 1/10W	R1E1K4	R619			RK73GB2A223J	CHIP R 22K J 1/10W	
R465,466			RK73GB2A223J	CHIP R 22K J 1/10W	R2	R621			RK73EB2E101J	CHIP R 100 J 1/4W	
R467			RK73GB2A101J	CHIP R 100 J 1/10W	KK1K2	R622			RK73GB2A471J	CHIP R 470 J 1/10W	
R467			RK73GB2A101J	CHIP R 100 J 1/10W	R1E1K4	R631,632			RK73HB1J620J	CHIP R 62 J 1/16W	
R467			RK73GB2A101J	CHIP R 100 J 1/10W	R2	R633			RK73HB1J680J	CHIP R 68 J 1/16W	
R468			RK73HB1J473J	CHIP R 47K J 1/16W	KK1K2	R634			RK73HB1J620J	CHIP R 62 J 1/16W	
R468			RK73HB1J473J	CHIP R 47K J 1/16W	R1E1K4	R635-638			RK73HB1J204J	CHIP R 200K J 1/16W	
R468			RK73HB1J473J	CHIP R 47K J 1/16W	R2	R639,640			RK73HB1J153J	CHIP R 15K J 1/16W	
R469			RK73GB2A101J	CHIP R 100 J 1/10W	KK1K2	R641,642			RK73HB1J204J	CHIP R 200K J 1/16W	
R469			RK73GB2A101J	CHIP R 100 J 1/10W	R1E1K4	R643			RK73GB2A000J	CHIP R 0.0 J 1/10W	
R469			RK73GB2A101J	CHIP R 100 J 1/10W	R2	R644,645			RK73HB1J102J	CHIP R 1.0K J 1/16W	
R472,473			RK73EB2E101J	CHIP R 100 J 1/4W	KK1K2	R646			RK73GH2A471D	CHIP R 470 D 1/10W	
R472,473			RK73EB2E101J	CHIP R 100 J 1/4W	R1E1K4	R647,648			RK73HB1J153J	CHIP R 15K J 1/16W	
R472,473			RK73EB2E101J	CHIP R 100 J 1/4W	R2	R650-652			RK73GB2A000J	CHIP R 0.0 J 1/10W	
R477			RK73HB1J000J	CHIP R 0.0 J 1/16W	KK1K2	R654			RK73HB1J000J	CHIP R 0.0 J 1/16W	
R477			RK73HB1J000J	CHIP R 0.0 J 1/16W	K3M1M2	R657			RK73HB1J000J	CHIP R 0.0 J 1/16W	
R477			RK73HB1J000J	CHIP R 0.0 J 1/16W	X1E1R1	R659,660			RK73HB1J101J	CHIP R 100 J 1/16W	
R478-488			RK73HB1J000J	CHIP R 0.0 J 1/16W	K4K5M3	R663			RK73GB2A2R2J	CHIP R 2.2 J 1/10W	
R478-488			RK73HB1J000J	CHIP R 0.0 J 1/16W	M4X2E2	R664			RK73HB1J000J	CHIP R 0.0 J 1/16W	
R478-488			RK73HB1J000J	CHIP R 0.0 J 1/16W	R2Q1	R665,666			RK73HB1J103J	CHIP R 10K J 1/16W	
R491,492			RK73HB1J000J	CHIP R 0.0 J 1/16W	KK1K2	R670			RK73GB2A202J	CHIP R 2.0K J 1/10W	
R491,492			RK73HB1J000J	CHIP R 0.0 J 1/16W	R1E1K4	R671			RK73HB1J100J	CHIP R 10 J 1/16W	
R491,492			RK73HB1J000J	CHIP R 0.0 J 1/16W	R2	R672			RK73EB2E4R7J	CHIP R 4.7 J 1/4W	
R502			RK73HB1J000J	CHIP R 0.0 J 1/16W		R673			RK73GB2A223J	CHIP R 22K J 1/10W	
R503			RK73GB2A000J	CHIP R 0.0 J 1/10W		R674			RK73EB2E100J	CHIP R 10 J 1/4W	
R504			RK73HB1J000J	CHIP R 0.0 J 1/16W		R675			RK73GB2A223J	CHIP R 22K J 1/10W	
R505			RK73HB1J473J	CHIP R 47K J 1/16W		R676			RK73EB2E4R7J	CHIP R 4.7 J 1/4W	

E1: DNX5260BT E2: DDX5026 (Europe) Q1: DDX5056 (Russian)
 K: DNX6960 K1: DNX6160 K2: DNX6020EX K3: DNX5160 K4: DDX616 K5: DDX516 (North America)
 X1: DNX5360 X2: DDX5036 (Australia) R1: DNX6460BT R2: DDX6046BT (Latin America)
 M1: DNX5360 M2: DNX5360M M3: DDX5036 M4: DDX5036M (Other Areas)

△ Indicates safety critical components.

PARTS LIST

VIDEO CONTROL UNIT (X15-141/146x-xx)

Ref. No.	A d d	N e w	Parts No.	Description	Desti- nation	Ref. No.	A d d	N e w	Parts No.	Description	Desti- nation
R680			RK73GB2A620J	CHIP R 62 J 1/10W		R851			RK73HB1J220J	CHIP R 22 J 1/16W	E1
R682,683			RK73HB1J100J	CHIP R 10 J 1/16W		R851,852			RK73HB1J220J	CHIP R 22 J 1/16W	KK1K2
R684,685			RK73GB2A000J	CHIP R 0.0 J 1/10W		R851,852			RK73HB1J220J	CHIP R 22 J 1/16W	K5M3M4
R689			RK73GB2A4R7J	CHIP R 4.7 J 1/10W		R851,852			RK73HB1J220J	CHIP R 22 J 1/16W	M2X1K4
R690-697			RK73GB2A000J	CHIP R 0.0 J 1/10W		R851,852			RK73HB1J220J	CHIP R 22 J 1/16W	R1K3M1
R698,699			RK73EB2E101J	CHIP R 100 J 1/4W		R851,852			RK73HB1J220J	CHIP R 22 J 1/16W	Q1
R701			RK73HB1J000J	CHIP R 0.0 J 1/16W		R851,852			RK73HB1J220J	CHIP R 22 J 1/16W	X2E2R2
R703			RK73HB1J103J	CHIP R 10K J 1/16W		R855			RK73HB1J103J	CHIP R 10K J 1/16W	
R705			RK73HB1J000J	CHIP R 0.0 J 1/16W		R858			RK73HB1J103J	CHIP R 10K J 1/16W	
R707,708			RK73HB1J000J	CHIP R 0.0 J 1/16W		R860			RK73HB1J103J	CHIP R 10K J 1/16W	
R711			RK73HB1J000J	CHIP R 0.0 J 1/16W		R862			RK73HB1J220J	CHIP R 22 J 1/16W	
R714			RK73HB1J103J	CHIP R 10K J 1/16W		R863			RK73HB1J103J	CHIP R 10K J 1/16W	
R716-718			RK73HB1J000J	CHIP R 0.0 J 1/16W		R864,865			RK73HB1J220J	CHIP R 22 J 1/16W	
R720,721			RK73HB1J103J	CHIP R 10K J 1/16W		R866-869			RK73HB1J103J	CHIP R 10K J 1/16W	
R760			RK73HB1J000J	CHIP R 0.0 J 1/16W		R870			RK73GH2A622D	CHIP R 6.2K D 1/10W	
R801,802			RK73HB1J000J	CHIP R 0.0 J 1/16W		R871,872			RK73HB1J332J	CHIP R 3.3K J 1/16W	
R803			RK73HB1J472J	CHIP R 4.7K J 1/16W		R873			RK73GH2A820D	CHIP R 82 D 1/10W	
R806			RK73HB1J000J	CHIP R 0.0 J 1/16W		R874			RK73GH2A180D	CHIP R 18 D 1/10W	
R807			RK73HB1J101J	CHIP R 100 J 1/16W		R876			RK73HB1J000J	CHIP R 0.0 J 1/16W	
R808			RK73HB1J000J	CHIP R 0.0 J 1/16W		R877			RK73HB1J102J	CHIP R 1.0K J 1/16W	
R809			RK73GB2A000J	CHIP R 0.0 J 1/10W		R878			RK73GH2A820D	CHIP R 82 D 1/10W	
R810			RK73HB1J101J	CHIP R 100 J 1/16W		R879			RK73GH2A180D	CHIP R 18 D 1/10W	
R811			RK73GB2A000J	CHIP R 0.0 J 1/10W		R880			RK73HB1J223J	CHIP R 22K J 1/16W	
R812-815			RK73HB1J101J	CHIP R 100 J 1/16W		R881,882			RK73GH2A750D	CHIP R 75 D 1/10W	
R818			RK73HB1J103J	CHIP R 10K J 1/16W		R884,885			RK73GH2A750D	CHIP R 75 D 1/10W	
R820-823			RK73HB1J103J	CHIP R 10K J 1/16W		R887,888			RK73GH2A750D	CHIP R 75 D 1/10W	
R825			RK73HB1J332J	CHIP R 3.3K J 1/16W		R889			RK73HB1J220J	CHIP R 22 J 1/16W	
R826			RK73HB1J220J	CHIP R 22 J 1/16W		R890			RK73FB2B000J	CHIP R 0.0 J 1/8W	
R827			RK73HB1J103J	CHIP R 10K J 1/16W		R891			RK73GH2A750D	CHIP R 75 D 1/10W	
R828			RK73HB1J102J	CHIP R 1.0K J 1/16W		R892			RK73HB1J220J	CHIP R 22 J 1/16W	
R829			RK73HB1J332J	CHIP R 3.3K J 1/16W		R893			RK73GH2A750D	CHIP R 75 D 1/10W	
R832,833			RK73HB1J000J	CHIP R 0.0 J 1/16W		R894,895			RK73HB1J220J	CHIP R 22 J 1/16W	
R834			RK73HB1J120J	CHIP R 12 J 1/16W		R896			RK73HB1J473J	CHIP R 47K J 1/16W	
R835			RK73HB1J103J	CHIP R 10K J 1/16W		R897			RK73HB1J152J	CHIP R 1.5K J 1/16W	
R836			RK73HB1J180J	CHIP R 18 J 1/16W		R898			RK73HB1J473J	CHIP R 47K J 1/16W	
R837			RK73HB1J120J	CHIP R 12 J 1/16W		R899			RK73HB1J152J	CHIP R 1.5K J 1/16W	
R838			RK73HB1J102J	CHIP R 1.0K J 1/16W		R900			RK73HB1J000J	CHIP R 0.0 J 1/16W	
R839			RK73HB1J120J	CHIP R 12 J 1/16W		R901			RK73HB1J105J	CHIP R 1.0M J 1/16W	
R841			RK73HB1J103J	CHIP R 10K J 1/16W		R902			RK73HB1J220J	CHIP R 22 J 1/16W	
R844			RK73HB1J103J	CHIP R 10K J 1/16W		R903			RK73HB1J222J	CHIP R 2.2K J 1/16W	
R845			RK73HB1J473J	CHIP R 47K J 1/16W		R904			RK73HB1J103J	CHIP R 10K J 1/16W	
R846			RK73HB1J220J	CHIP R 22 J 1/16W	KK1K2	R905			RK73HB1J000J	CHIP R 0.0 J 1/16W	
R846			RK73HB1J220J	CHIP R 22 J 1/16W	K5M3M4	R907			RK73HB1J000J	CHIP R 0.0 J 1/16W	
R846			RK73HB1J220J	CHIP R 22 J 1/16W	M2X1K4	R908			RK73HB1J102J	CHIP R 1.0K J 1/16W	
R846			RK73HB1J220J	CHIP R 22 J 1/16W	R1K3M1	R909			RK73HB1J000J	CHIP R 0.0 J 1/16W	
R846			RK73HB1J220J	CHIP R 22 J 1/16W	Q1	R910			RK73HB1J102J	CHIP R 1.0K J 1/16W	
R846			RK73HB1J220J	CHIP R 22 J 1/16W	X2E2R2	R911			RK73GB2A000J	CHIP R 0.0 J 1/10W	
R848			RK73HB1J000J	CHIP R 0.0 J 1/16W	KK1K2	R913,914			RK73GB2A000J	CHIP R 0.0 J 1/10W	
R848			RK73HB1J000J	CHIP R 0.0 J 1/16W	K5M3M4	R920-927			RK73HB1J220J	CHIP R 22 J 1/16W	
R848			RK73HB1J000J	CHIP R 0.0 J 1/16W	M2X1K4	R932-939			RK73HB1J331J	CHIP R 330 J 1/16W	
R848			RK73HB1J000J	CHIP R 0.0 J 1/16W	R1K3M1	R940-944			RK73HB1J220J	CHIP R 22 J 1/16W	
R848			RK73HB1J000J	CHIP R 0.0 J 1/16W	Q1	R945,946			RK73HB1J470J	CHIP R 47 J 1/16W	
R848			RK73HB1J000J	CHIP R 0.0 J 1/16W	X2E2R2	R947,948			RK73EB2E4R7J	CHIP R 4.7 J 1/4W	
R849			RK73HB1J220J	CHIP R 22 J 1/16W		R949-964			RK73HB1J000J	CHIP R 0.0 J 1/16W	
R850			RK73FB2B000J	CHIP R 0.0 J 1/8W		R965			RK73HB1J101J	CHIP R 100 J 1/16W	KK1K2

E1: DNX5260BT E2: DDX5026 (Europe) Q1: DDX5056 (Russian)

△ Indicates safety critical components.

K: DNX6960 K1: DNX6160 K2: DNX6020EX K3: DNX5160 K4: DDX616 K5: DDX516 (North America)

74 X1: DNX5360 X2: DDX5036 (Australia) R1: DNX6460BT R2: DDX6046BT (Latin America)

M1: DNX5360 M2: DNX5360M M3: DDX5036 M4: DDX5036M (Other Areas)

PARTS LIST

The IC100,150 and IC801 in the Video control unit (X15-141/146) are not replaceable components. When these ICs are defective, replace the whole Video control unit (X15-141/146).

VIDEO CONTROL UNIT (X15-141/146x-xx)

Ref. No.	Add	New	Parts No.	Description	Destination	Ref. No.	Add	New	Parts No.	Description	Destination
R965			RK73HB1J101J	CHIP R 100 J 1/16W	K3M1M2	IC210			74AHCT1G08GW	MOS-IC	X1E1R1
R965			RK73HB1J101J	CHIP R 100 J 1/16W	X1E1R1	IC211			TC7SH125FU-F	MOS-IC	
D2			HSU119TRF-E	DIODE		IC212			74AHC2G126DP	MOS-IC	
D101-104			1SS357-F	DIODE		IC213			TC7W02FU-F	MOS-IC	
D201			HSU119TRF-E	DIODE	KK1K2	IC214			TC7SH02FU-F	MOS-IC	
D201			HSU119TRF-E	DIODE	K5M3M4	IC401			74AHCT1G08GW	MOS-IC	
D201			HSU119TRF-E	DIODE	M2X1K4	IC402			TC7SG08FU-F	MOS-IC	KK1K2
D201			HSU119TRF-E	DIODE		IC402			TC7SG08FU-F	MOS-IC	K3M1M2
D201			HSU119TRF-E	DIODE	R1K3M1	IC402			TC7SG08FU-F	MOS-IC	X1E1R1
D201			HSU119TRF-E	DIODE	Q1	IC451			NJM4565V-ZB	ANALOGUE IC	KK1K2
D402-404			CVS10A180M	VARISTOR	X2E2R2	IC451			NJM4565V-ZB	ANALOGUE IC	R1E1K4
D402-404			CVS10A180M	VARISTOR	K4K5M3	IC451			NJM4565V-ZB	ANALOGUE IC	R2
D402-404			CVS10A180M	VARISTOR	M4X2E2	IC453			74AHC2G126DP	MOS-IC	KK1K2
D405-408			CVL10C270M300	VARISTOR	R2Q1	IC453			74AHC2G126DP	MOS-IC	R1E1K4
D405-408			CVL10C270M300	VARISTOR	K4K5M3	IC453			74AHC2G126DP	MOS-IC	R2
D409-411			RKZ6.2KG(B2)	ZENER DIODE	R2Q1	IC501			MIC2005-08YM6	MOS-IC	
D409-411			RKZ6.2KG(B2)	ZENER DIODE	K4K5M3	IC506			R1173S001D-F	ANALOGUE IC (LDO ADJ)	
D451	*		RKZ3.9KG(B2)	ZENER DIODE	M4X2E2	IC541			MF1341S2162	MICROPROCESSOR IC	
D451	*		RKZ3.9KG(B2)	ZENER DIODE	R2Q1	IC602			AN15885A-VF	ANALOGUE IC	
D451	*		RKZ3.9KG(B2)	ZENER DIODE	R2Q1	IC631		*	AK4388AETP	MOS-IC	
D452,453			CVS10A120M	VARISTOR	R2	IC632			NJM2516VC3-ZB	ANALOGUE IC	
D452,453			CVS10A120M	VARISTOR	R2	IC633			NJM2561F1-ZB	ANALOGUE IC	
D452,453			CVS10A120M	VARISTOR	R2	IC634			NJM4565V-ZB	ANALOGUE IC	
D501,502			AVRL1613R3FTA	VARISTOR	R2	IC635			XC6201P502MR	ANALOGUE IC	
D605,606			CVL10C270M300	VARISTOR	R2	IC671			NJM2505AF-ZB	ANALOGUE IC	
D607,608			KDS120-P	DIODE		IC703		*	M29W128GH79C5	ROM IC	
D609,610			CVS10A180M	VARISTOR		IC704,705		*	74AHC1GU04GW	MOS-IC	
D611	*		MC2850-T111	DIODE		IC800		*	FM24C64-G	FERAM IC	
D671			CVL10C270M300	VARISTOR		IC801		*	-	MICROPROCESSOR IC	
D672-674			CVS10A120M	VARISTOR		IC920		*	BD3533FVM	ANALOGUE IC	
D675			CVL10C270M300	VARISTOR		IC921,922			HY5D561622FT3	DRAM IC	
IC1			XC6201P502PR	ANALOGUE IC		Q1			2SC4081	TRANSISTOR	
IC2			R1114N331B-TR	ANALOGUE IC (3.3V LF)		Q2			2SA1576A	TRANSISTOR	
IC51			NJM4565V-ZB	ANALOGUE IC		Q3		*	RT1P140M-T111	TRANSISTOR	
IC100	*		-	ANALOGUE IC		Q4		*	RT1N144M-T111	TRANSISTOR	
IC150	*		-	ANALOGUE IC		Q5			2SC4081	TRANSISTOR	
IC201			30878FJBGP	MICROCONTROLLER IC		Q6			2SA1576A	TRANSISTOR	
IC202	*		W05-1548-00	ROM IC	KK1K2	Q7			2SC4081	TRANSISTOR	
IC202	*		W05-1548-00	ROM IC	K3K4K5	Q8			RT1P141M-T111	TRANSISTOR	
IC202	*		W05-1549-00	ROM IC	E1E2	Q9			RT1N441M-T111	TRANSISTOR	
IC202	*		W05-1549-00	ROM IC		Q10			2SB1689	TRANSISTOR	
IC202	*		W05-1550-00	ROM IC	M2M4	Q11			RT1N441M-T111	TRANSISTOR	
IC202	*		W05-1551-00	ROM IC	M1M3	Q14			RT1N441M-T111	TRANSISTOR	
IC202	*		W05-1551-00	ROM IC	R1R2	Q15,16			2SA1576A	TRANSISTOR	
IC202	*		W05-1552-00	ROM IC	X1X2	Q17			TPC8110-F	FET	
IC202	*		W05-1552-00	ROM IC	Q1	Q18			RT1N441M-T111	TRANSISTOR	
IC202	*		W05-1553-00	ROM IC	V	Q25			RT1N441M-T111	TRANSISTOR	
IC205			XC6120N362N-G	MOS-IC		Q102,103			HAT2218R-E	DUAL FET	
IC206			74AHCT1G08GW	MOS-IC	E1M1M2	Q107,108			HAT2218R-E	DUAL FET	
IC206			74AHCT1G08GW	MOS-IC	M3M4X2	Q201-203			2SA1576A	TRANSISTOR	
IC206			74AHCT1G08GW	MOS-IC	X1E2Q1	Q204			RT1N441M-T111	TRANSISTOR	
IC210			74AHCT1G08GW	MOS-IC	KK1K2	Q205			RT1P144M-T111	TRANSISTOR	E1
IC210			74AHCT1G08GW	MOS-IC	K3M1M2	Q205,206			RT1P144M-T111	TRANSISTOR	KK1K2
						Q205,206			RT1P144M-T111	TRANSISTOR	K5M3M4
						Q205,206			RT1P144M-T111	TRANSISTOR	M2X1K4

E1: DNX5260BT E2: DDX5026 (Europe) Q1: DDX5056 (Russian)
 K: DNX6960 K1: DNX6160 K2: DNX6020EX K3: DNX5160 K4: DDX616 K5: DDX516 (North America)
 X1: DNX5360 X2: DDX5036 (Australia) R1: DNX6460BT R2: DDX6046BT (Latin America)
 M1: DNX5360 M2: DNX5360M M3: DDX5036 M4: DDX5036M (Other Areas)

△ Indicates safety critical components.

PARTS LIST

VIDEO CONTROL UNIT (X15-141/146x-xx)

Ref. No.	Add	New	Parts No.	Description	Destination
Q205,206			RT1P144M-T111	TRANSISTOR	R1K3M1
Q205,206			RT1P144M-T111	TRANSISTOR	Q1
Q205,206			RT1P144M-T111	TRANSISTOR	X2E2R2
Q207		*	RT1N436M-T111	TRANSISTOR	
Q601			RT1N430M-T111	TRANSISTOR	
Q602			RT1P441M-T111	TRANSISTOR	
Q603			RT1N430M-T111	TRANSISTOR	
A1		*	W02-5373-05	ELECTRIC CIRCUIT MODULE (BT)	KK1K2
A1		*	W02-5373-05	ELECTRIC CIRCUIT MODULE (BT)	R1E1K4
A1		*	W02-5373-05	ELECTRIC CIRCUIT MODULE (BT)	R2
SWITCH UNIT (X16-6860-10)					
D101,102			B30-3201-05	LED (RGB F3)	
D103,104			B30-1779-05	LED (1608_SR)	
C101			CK73EB1E105K	CHIP C 1.0UF K	
CN101		*	E41-3163-05	FLAT CABLE CONNECTOR	
R101			RK73GB2A822J	CHIP R 8.2K J 1/10W	
R102			RK73GB2A223J	CHIP R 22K J 1/10W	
R103			RK73FB2B101J	CHIP R 100 J 1/8W	
R104			RK73GB2A361J	CHIP R 360 J 1/10W	
R105			RK73GB2A331J	CHIP R 330 J 1/10W	
R106			RK73GB2A000J	CHIP R 0.0 J 1/10W	
S101-106			S70-0901-05	TACT SWITCH	
D110-115			CVS10A180M	VARIATOR	
D116			UDZW6.2(B)	ZENER DIODE	
IC101			PIC95603	ANALOGUE IC	
ELECTRIC UNIT (X34-668/676x-xx)					
C1			C90-5666-05	ELECTRO 3900UF 25WV	
C2 ,3			CK73GB1H103K	CHIP C 0.010UF K	E1M1M2
C4			C93-1470-05	CHIP C 15000PF K	E2Q1M3
C4			C93-1470-05	CHIP C 15000PF K	M4
C4			C93-1470-05	CHIP C 15000PF K	
C5			CK73GB1H103K	CHIP C 0.010UF K	
C6			CK73GB1A105K	CHIP C 1.0UF K	
C7			CK73FB1C105K	CHIP C 1.0UF K	
C8			CK73GB1H103K	CHIP C 0.010UF K	
C9			CK73GB1A105K	CHIP C 1.0UF K	
C10			CK73FB1E474K	CHIP C 0.47UF K	
C11			CK73FB1A335K	CHIP C 3.3UF K	
C12			CK73GB1A105K	CHIP C 1.0UF K	
C13			CK73GB1H104K	CHIP C 0.10UF K	
C14			CK73GB1H103K	CHIP C 0.010UF K	
C15			C93-1470-05	CHIP C 15000PF K	E1M1M2
C15			C93-1470-05	CHIP C 15000PF K	E2Q1M3
C15			C93-1470-05	CHIP C 15000PF K	M4
C96			CC73GCH1H270J	CHIP C 27PF J	
C98			CC73GCH1H270J	CHIP C 27PF J	
C101			CK73FB1H334K	CHIP C 0.33UF K	
C102			CK73GB1H103K	CHIP C 0.010UF K	
C103			CK73GB1A105K	CHIP C 1.0UF K	
C104			CD04AY1A221M	ELECTRO 220UF 10WV	
C105			C90-6851-05	ELECTRO 220UF 25WV	

Ref. No.	Add	New	Parts No.	Description	Destination
C106			CK73FB1A225K	CHIP C 2.2UF K	
C107			CD04AY1A101M	ELECTRO 100UF 10WV	
C108			CK73GB1H104K	CHIP C 0.10UF K	
C109			CC73GCH1H150J	CHIP C 15PF J	E1K3M1
C109			CC73GCH1H150J	CHIP C 15PF J	K1K2R1
C109			CC73GCH1H150J	CHIP C 15PF J	K5M3M4
C109			CC73GCH1H150J	CHIP C 15PF J	M2X1K4
C109			CC73GCH1H150J	CHIP C 15PF J	Q1
C111			CK73GB1H103K	CHIP C 0.010UF K	X2E2R2
C112			CK73GB1A105K	CHIP C 1.0UF K	
C113			CK73GB1H104K	CHIP C 0.10UF K	KK1K2
C113			CK73GB1H104K	CHIP C 0.10UF K	K5M3M4
C113			CK73GB1H104K	CHIP C 0.10UF K	M2X1K4
C113			CK73GB1H104K	CHIP C 0.10UF K	R1K3M1
C113			CK73GB1H104K	CHIP C 0.10UF K	Q1
C113			CK73GB1H104K	CHIP C 0.10UF K	X2E2R2
C114			CK73FB1H334K	CHIP C 0.33UF K	
C115			CK73GB1A105K	CHIP C 1.0UF K	
C116			CD04BD1C221M	ELECTRO 220UF 16WV	
C123			CK73EB1C106K	CHIP C 10UF K	K
C124			CD04AV1C101M	ELECTRO 100UF 16WV	K
C125-128			CK73EB1E225K	CHIP C 2.2UF K	K
C129			CK73EB1C106K	CHIP C 10UF K	K
C130			CK73GB1H223K	CHIP C 0.022UF K	K
C131			CK73GB1H103K	CHIP C 0.010UF K	K
C132,133			CK73EB1C106K	CHIP C 10UF K	K
C134			CC73GCH1H270J	CHIP C 27PF J	
C201,202			CK73GB1H102K	CHIP C 1000PF K	
C203,204			CK73FB1C105K	CHIP C 1.0UF K	
C205			CK73FB1C106K	CHIP C 10UF K	
C206			CK73GB1H103K	CHIP C 0.010UF K	
C401,402			CK73GB1A105K	CHIP C 1.0UF K	
C403,404			CK73GB1A474K	CHIP C 0.47UF K	
C405			CK73GB1A105K	CHIP C 1.0UF K	
C406			CD04AS1H010M	ELECTRO 1UF 50WV	
C407			CD04AS1C470M	ELECTRO 47UF 16WV	
C409,410			CK73GB1A105K	CHIP C 1.0UF K	
C413,414			CK73GB1A105K	CHIP C 1.0UF K	
C417			CD04AS1V100M	ELECTRO 10UF 35WV	
C431,432			CD04AS1H2R2M	ELECTRO 2.2UF 50WV	
C433-436			CK73GB1A105K	CHIP C 1.0UF K	
C443			CK73GB1A105K	CHIP C 1.0UF K	
C444			CK73FB1C106K	CHIP C 10UF K	
C445			CK73GB1A105K	CHIP C 1.0UF K	
C449			CC73GCH1H150J	CHIP C 15PF J	
C451			CD04AV1C220M	ELECTRO 22UF 16WV	
C452			CK73GB1C104K	CHIP C 0.10UF K	
C453			CK73FB0J106K	CHIP C 10UF K	
C454-458			CK73GB1A105K	CHIP C 1.0UF K	KK1K2
C454-458			CK73GB1A105K	CHIP C 1.0UF K	K5M3M4
C454-458			CK73GB1A105K	CHIP C 1.0UF K	M2X1K4
C454-458			CK73GB1A105K	CHIP C 1.0UF K	R1K3M1
C454-458			CK73GB1A105K	CHIP C 1.0UF K	Q1
C454-458			CK73GB1A105K	CHIP C 1.0UF K	X2E2R2

E1: DNX5260BT E2: DDX5026 (Europe) Q1: DDX5056 (Russian) △ Indicates safety critical components.
 K: DNX6960 K1: DNX6160 K2: DNX6020EX K3: DNX5160 K4: DDX616 K5: DDX516 (North America)
 76 X1: DNX5360 X2: DDX5036 (Australia) R1: DNX6460BT R2: DDX6046BT (Latin America)
 M1: DNX5360 M2: DNX5360M M3: DDX5036 M4: DDX5036M (Other Areas)

PARTS LIST

ELECTRIC UNIT (X34-668/676x-xx)

Ref. No.	Add	New	Parts No.	Description	Destination	Ref. No.	Add	New	Parts No.	Description	Destination
C454-462			CK73GB1A105K	CHIP C 1.0UF K	E1	C567			CC73GCH1H102J	CHIP C 1000PF J	E1
C462			CK73GB1A105K	CHIP C 1.0UF K	E2Q1M3	C596			CC73GCH1H100D	CHIP C 10PF D	
C462			CK73GB1A105K	CHIP C 1.0UF K	M1M2X1	C597			CC73GCH1H101J	CHIP C 100PF J	
C462			CK73GB1A105K	CHIP C 1.0UF K	M4X2	C600-602			CK73GB1A105K	CHIP C 1.0UF K	E1M1M2
C462-466			CK73GB1A105K	CHIP C 1.0UF K	K3K5	C600-602			CK73GB1A105K	CHIP C 1.0UF K	M3M4X2
C462-468			CK73GB1A105K	CHIP C 1.0UF K	KK1K2	C600-602			CK73GB1A105K	CHIP C 1.0UF K	X1E2Q1
C462-468			CK73GB1A105K	CHIP C 1.0UF K	R1K4R2	C606			CC73GCH1H150J	CHIP C 15PF J	KK1K2
C466			CK73GB1A105K	CHIP C 1.0UF K	E2Q1M3	C606			CC73GCH1H150J	CHIP C 15PF J	R1K3K4
C466			CK73GB1A105K	CHIP C 1.0UF K	M1M2X1	C606			CC73GCH1H150J	CHIP C 15PF J	R2K5
C466			CK73GB1A105K	CHIP C 1.0UF K	M4X2	C616-618			CK73GB1H104K	CHIP C 0.10UF K	E1M1M2
C466-468			CK73GB1A105K	CHIP C 1.0UF K	E1	C616-618			CK73GB1H104K	CHIP C 0.10UF K	M3M4X2
C469,470			CK73GB1A105K	CHIP C 1.0UF K	E2Q1M3	C616-618			CK73GB1H104K	CHIP C 0.10UF K	X1E2Q1
C469,470			CK73GB1A105K	CHIP C 1.0UF K	K3M1M2	C650-652			CK73GB1A105K	CHIP C 1.0UF K	KK1K2
C469,470			CK73GB1A105K	CHIP C 1.0UF K	M4X2	C650-652			CK73GB1A105K	CHIP C 1.0UF K	K5M3M4
C469,470			CK73GB1A105K	CHIP C 1.0UF K	X1K5	C650-652			CK73GB1A105K	CHIP C 1.0UF K	M2X1K4
C500,501			CC73GCH1H100D	CHIP C 10PF D	E2Q1M3	C650-652			CK73GB1A105K	CHIP C 1.0UF K	R1K3M1
C500,501			CC73GCH1H100D	CHIP C 10PF D	KK1K2	C650-652			CK73GB1A105K	CHIP C 1.0UF K	Q1
C500,501			CC73GCH1H100D	CHIP C 10PF D	M1M2K4	C650-652			CK73GB1A105K	CHIP C 1.0UF K	X2E2R2
C500,501			CC73GCH1H100D	CHIP C 10PF D	M4	C653			CK73GB1C104K	CHIP C 0.10UF K	KK1K2
C500,501			CC73GCH1H100D	CHIP C 10PF D	R1E1K3	C653			CK73GB1C104K	CHIP C 0.10UF K	K5M3M4
C500,501			CC73GCH1H100D	CHIP C 10PF D	R2K5	C653			CK73GB1C104K	CHIP C 0.10UF K	M2X1K4
C504			CK73GB1H103K	CHIP C 0.010UF K	E2Q1M3	C653			CK73GB1C104K	CHIP C 0.10UF K	R1K3M1
C504			CK73GB1H103K	CHIP C 0.010UF K	KK1K2	C653			CK73GB1C104K	CHIP C 0.10UF K	Q1
C504			CK73GB1H103K	CHIP C 0.010UF K	M1M2K4	C653			CK73GB1C104K	CHIP C 0.10UF K	X2E2R2
C504			CK73GB1H103K	CHIP C 0.010UF K	M4	C654			CC73GCH1H470J	CHIP C 47PF J	KK1K2
C504			CK73GB1H103K	CHIP C 0.010UF K	R1E1K3	C654			CC73GCH1H470J	CHIP C 47PF J	K5M3M4
C504			CK73GB1H103K	CHIP C 0.010UF K	R2K5	C654			CC73GCH1H470J	CHIP C 47PF J	M2X1K4
C505			CC73GCH1H331J	CHIP C 330PF J	E2Q1M3	C654			CC73GCH1H470J	CHIP C 47PF J	R1K3M1
C505			CC73GCH1H331J	CHIP C 330PF J	KK1K2	C654			CC73GCH1H470J	CHIP C 47PF J	Q1
C505			CC73GCH1H331J	CHIP C 330PF J	M1M2K4	C654			CC73GCH1H470J	CHIP C 47PF J	X2E2R2
C505			CC73GCH1H331J	CHIP C 330PF J	M4	C656			CC73GCH1H150J	CHIP C 15PF J	E1
C505			CC73GCH1H331J	CHIP C 330PF J	R1E1K3	C801-804			CD04AS1V100M	ELECTRO 10UF 35WV	
C505			CC73GCH1H331J	CHIP C 330PF J	R2K5	C805,806			CK73EB1C106K	CHIP C 10UF K	
C506			CC73GCH1H150J	CHIP C 15PF J	X1X2	C807-812			CK73GB1H102K	CHIP C 1000PF K	
C515			CD04AV1V100M	ELECTRO 10UF 35WV	E2Q1M3	C813-816			CD04AS1V100M	ELECTRO 10UF 35WV	K
C515			CD04AV1V100M	ELECTRO 10UF 35WV	KK1K2	C817,818			CK73EB1C106K	CHIP C 10UF K	K
C515			CD04AV1V100M	ELECTRO 10UF 35WV	M1M2K4	C819-822			CD04AS1V100M	ELECTRO 10UF 35WV	K
C515			CD04AV1V100M	ELECTRO 10UF 35WV	M4	C823,824			CK73EB1C106K	CHIP C 10UF K	K
C515			CD04AV1V100M	ELECTRO 10UF 35WV	R1E1K3	C831			CC73GCH1H101J	CHIP C 100PF J	
C515			CD04AV1V100M	ELECTRO 10UF 35WV	R2K5	C832			CC73GCH1H100D	CHIP C 10PF D	
C516-519			CK73GB1H103K	CHIP C 0.010UF K		C833			CC73GCH1H101J	CHIP C 100PF J	
C520			CK73GB1H102K	CHIP C 1000PF K	E1	C834			CK73GB1H102K	CHIP C 1000PF K	
C524			CK73GB1H102K	CHIP C 1000PF K		C901-904			CK73GB1C224K	CHIP C 0.22UF K	
C551			CC73GCH1H180J	CHIP C 18PF J	E1	C905			CK73GB1A105K	CHIP C 1.0UF K	
C552			CC73GCH1H070D	CHIP C 7.0PF D	E1	C906			CD04BA1E330M	ELECTRO 33UF 25WV	
C553			CC73GCH1H150J	CHIP C 15PF J	E1	C907			C90-6780-05	ELECTRO 1UF 16WV	
C554			CC73GCH1H180J	CHIP C 18PF J	E1	C909			CK73GB1A105K	CHIP C 1.0UF K	
C555			CC73GCH1H390J	CHIP C 39PF J	E1	C913-920			CK73GB1H222K	CHIP C 2200PF K	
C556			CC73GCH1H020C	CHIP C 2.0PF C	E1	C921-928			CC73GCH1H221J	CHIP C 220PF J	
C557			CC73GCH1H120J	CHIP C 12PF J	E1	C931-934			CC73GCH1H101J	CHIP C 100PF J	
C558			CK73FB1C105K	CHIP C 1.0UF K	E1	C935-938			CC73GCH1H150J	CHIP C 15PF J	
C560-562			CC73GCH1H102J	CHIP C 1000PF J	E1	CN201			E41-2981-05	FLAT CABLE CONNECTOR	
C563			CC73GCH1H221J	CHIP C 220PF J	E1	CN202			E41-2979-05	FLAT CABLE CONNECTOR	
C564			CC73GCH1H030C	CHIP C 3.0PF C	E1	CN203			E41-2958-05	PIN ASSY	
C565,566			CC73GCH1H560J	CHIP C 56PF J	E1						

E1: DNX5260BT E2: DDX5026 (Europe) Q1: DDX5056 (Russian)
 K: DNX6960 K1: DNX6160 K2: DNX6020EX K3: DNX5160 K4: DDX616 K5: DDX516 (North America)
 X1: DNX5360 X2: DDX5036 (Australia) R1: DNX6460BT R2: DDX6046BT (Latin America)
 M1: DNX5360 M2: DNX5360M M3: DDX5036 M4: DDX5036M (Other Areas)

△ Indicates safety critical components.

PARTS LIST

ELECTRIC UNIT (X34-668/676x-xx)

Ref. No.	A d d	N e w	Parts No.	Description	Desti- nation	Ref. No.	A d d	N e w	Parts No.	Description	Desti- nation
J1			E58-1043-05	RECTANGULAR RECEPTACLE		R10			RK73GB2A102J	CHIP R 1.0K J 1/10W	
J600			E58-1034-05	RECTANGULAR RECEPTACLE	E1M1M2	R12			RK73EB2E101J	CHIP R 100 J 1/4W	
J600			E58-1034-05	RECTANGULAR RECEPTACLE	M3M4X2	R13 ,14			RK73EB2E622J	CHIP R 6.2K J 1/4W	
J600			E58-1034-05	RECTANGULAR RECEPTACLE	X1E2Q1	R15			RK73GB2A153J	CHIP R 15K J 1/10W	
J650			E58-1097-05	RECTANGULAR RECEPTACLE	KK1K2	R16			RK73GB2A912J	CHIP R 9.1K J 1/10W	
J650			E58-1097-05	RECTANGULAR RECEPTACLE	K5M3M4	R18			RK73FB2B472J	CHIP R 4.7K J 1/8W	
J650			E58-1097-05	RECTANGULAR RECEPTACLE	M2X1K4	R19			RK73PB2H102J	CHIP R 1.0K J 1/2W	
J650			E58-1097-05	RECTANGULAR RECEPTACLE	R1K3M1	R20			RK73GB2A223J	CHIP R 22K J 1/10W	
J650			E58-1097-05	RECTANGULAR RECEPTACLE	Q1	R21			RK73PB2H102J	CHIP R 1.0K J 1/2W	
J650			E58-1097-05	RECTANGULAR RECEPTACLE	X2E2R2	R22			RK73FB2B472J	CHIP R 4.7K J 1/8W	
J800			E63-0972-05	PIN JACK		R24			RK73FB2B000J	CHIP R 0.0 J 1/8W	E1E2Q1
W500		*	E30-6926-05	CORD WITH PLUG (ANT)		R25			RK73PB2H102J	CHIP R 1.0K J 1/2W	KK1K2
W501		*	E30-6927-05	CORD WITH PLUG (X34-NAVI)	E1	R25			RK73PB2H102J	CHIP R 1.0K J 1/2W	M2X1K4
F101			F53-0306-05	FUSE (UL,CSA) 5A	KK1K2	R25			RK73PB2H102J	CHIP R 1.0K J 1/2W	M3M4X2
F101			F53-0306-05	FUSE (UL,CSA) 5A	K5M3M4	R25			RK73PB2H102J	CHIP R 1.0K J 1/2W	R1K3M1
F101			F53-0306-05	FUSE (UL,CSA) 5A	M2X1K4	R25			RK73PB2H102J	CHIP R 1.0K J 1/2W	R2K5
F101			F53-0306-05	FUSE (UL,CSA) 5A	R1K3M1	R26			RK73GB2A103J	CHIP R 10K J 1/10W	KK1K2
F101			F53-0306-05	FUSE (UL,CSA) 5A	Q1	R26			RK73GB2A103J	CHIP R 10K J 1/10W	M2X1K4
F101			F53-0306-05	FUSE (UL,CSA) 5A	X2E2R2	R26			RK73GB2A103J	CHIP R 10K J 1/10W	M3M4X2
F102			F53-0297-05	FUSE (UL,CSA) 1.6A		R26			RK73GB2A103J	CHIP R 10K J 1/10W	R1K3M1
L1			L33-2319-05	CHOKE COIL ASSY		R26			RK73GB2A103J	CHIP R 10K J 1/10W	R2K5
L11			L33-2436-05	CHOKE COIL ASSY		R27			RK73PB2H102J	CHIP R 1.0K J 1/2W	KK1K2
L101			L41-1005-33	SMALL FIXED INDUCTOR (10U)		R27			RK73PB2H102J	CHIP R 1.0K J 1/2W	M2X1K4
L102			L41-2205-33	SMALL FIXED INDUCTOR (22U)	K	R27			RK73PB2H102J	CHIP R 1.0K J 1/2W	M3M4X2
L502			L41-4795-33	SMALL FIXED INDUCTOR (4.7U)		R27			RK73PB2H102J	CHIP R 1.0K J 1/2W	R1K3M1
L505			L92-0329-05	CHIP FERRITE	E1	R27			RK73PB2H102J	CHIP R 1.0K J 1/2W	R2K5
L551			L41-2705-33	SMALL FIXED INDUCTOR (27U)	E1	R28			RK73GB2A103J	CHIP R 10K J 1/10W	KK1K2
L552			L41-1588-18	SMALL FIXED INDUCTOR	E1	R28			RK73GB2A103J	CHIP R 10K J 1/10W	M2X1K4
L553			L41-1805-33	SMALL FIXED INDUCTOR (18U)	E1	R28			RK73GB2A103J	CHIP R 10K J 1/10W	M3M4X2
L554,555			L41-1588-18	SMALL FIXED INDUCTOR	E1	R28			RK73GB2A103J	CHIP R 10K J 1/10W	R1K3M1
L556			L19-0825-05	BALUN TRANSFORMER	E1	R28			RK73GB2A103J	CHIP R 10K J 1/10W	R2K5
L558			L41-1888-18	SMALL FIXED INDUCTOR (0.18U)	E1	R29			RK73GB2A222J	CHIP R 2.2K J 1/10W	KK1K2
X500		*	L77-3827-05	CRYSTAL RESONATOR	E2Q1M3	R29			RK73GB2A222J	CHIP R 2.2K J 1/10W	M2X1K4
X500		*	L77-3827-05	CRYSTAL RESONATOR	KK1K2	R29			RK73GB2A222J	CHIP R 2.2K J 1/10W	M3M4X2
X500		*	L77-3827-05	CRYSTAL RESONATOR	M1M2K4	R29			RK73GB2A222J	CHIP R 2.2K J 1/10W	R1K3M1
X500		*	L77-3827-05	CRYSTAL RESONATOR	M4	R29			RK73GB2A222J	CHIP R 2.2K J 1/10W	R2K5
X500		*	L77-3827-05	CRYSTAL RESONATOR	R1E1K3	R30			RK73EB2E103J	CHIP R 10K J 1/4W	
X500		*	L77-3827-05	CRYSTAL RESONATOR	R2K5	R31			RK73GB2A104J	CHIP R 100K J 1/10W	
B	2D		N35-2604-43	BINDING HEAD MACHINE SCREW	KK1K2	R32			RK73GB2A473J	CHIP R 47K J 1/10W	
B	2D		N35-2604-43	BINDING HEAD MACHINE SCREW	K5M3M4	R98			RK73GB2A100J	CHIP R 10 J 1/10W	
B	2D		N35-2604-43	BINDING HEAD MACHINE SCREW	M2X1K4	R101			RK73FB2B221J	CHIP R 220 J 1/8W	
B	2D		N35-2604-43	BINDING HEAD MACHINE SCREW	R1K3M1	R102			RK73GH2A243D	CHIP R 24K D 1/10W	
B	2D		N35-2604-43	BINDING HEAD MACHINE SCREW	Q1	R103			RK73GH2A432D	CHIP R 4.3K D 1/10W	
B	2D		N35-2604-43	BINDING HEAD MACHINE SCREW	X2E2R2	R104			RK73FB2B223J	CHIP R 22K J 1/8W	
B	2D		N35-2604-43	BINDING HEAD MACHINE SCREW		R105,106			RK73GB2A101J	CHIP R 100 J 1/10W	
K	3D		N09-6727-05	TAPTITE SCREW		R107			RK73GB2A100J	CHIP R 10 J 1/10W	E1K3M1
L	2C	*	N35-2614-48	BINDING HEAD MACHINE SCREW		R107			RK73GB2A100J	CHIP R 10 J 1/10W	K1K2R1
M	2D		N82-3008-48	BINDING HEAD TAPTITE SCREW		R107			RK73GB2A100J	CHIP R 10 J 1/10W	K5M3M4
R1			RK73EB2E272J	CHIP R 2.7K J 1/4W		R107			RK73GB2A100J	CHIP R 10 J 1/10W	M2X1K4
R2			RK73GB2A102J	CHIP R 1.0K J 1/10W		R107			RK73GB2A100J	CHIP R 10 J 1/10W	Q1
R4			RK73EB2E103J	CHIP R 10K J 1/4W		R107			RK73GB2A100J	CHIP R 10 J 1/10W	
R6			RK73GB2A103J	CHIP R 10K J 1/10W		R107			RK73GB2A100J	CHIP R 10 J 1/10W	
R7			RK73GB2A473J	CHIP R 47K J 1/10W		R107			RK73GB2A100J	CHIP R 10 J 1/10W	
R9			RK73EB2E272J	CHIP R 2.7K J 1/4W		R107			RK73GB2A100J	CHIP R 10 J 1/10W	X2E2R2
						R109			RK73GB2A222J	CHIP R 2.2K J 1/10W	
						R110			RK73GB2A823J	CHIP R 82K J 1/10W	KK1K2
						R110			RK73GB2A823J	CHIP R 82K J 1/10W	K5M3M4
						R110			RK73GB2A823J	CHIP R 82K J 1/10W	M2X1K4

E1: DNX5260BT E2: DDX5026 (Europe) Q1: DDX5056 (Russian)

△ Indicates safety critical components.

K: DNX6960 K1: DNX6160 K2: DNX6020EX K3: DNX5160 K4: DDX616 K5: DDX516 (North America)

78 X1: DNX5360 X2: DDX5036 (Australia) R1: DNX6460BT R2: DDX6046BT (Latin America)

M1: DNX5360 M2: DNX5360M M3: DDX5036 M4: DDX5036M (Other Areas)

PARTS LIST

ELECTRIC UNIT (X34-668/676x-xx)

Ref. No.	Add	New	Parts No.	Description	Destination	Ref. No.	Add	New	Parts No.	Description	Destination
R110			RK73GB2A823J	CHIP R 82K J 1/10W	R1K3M1	R502			RK73GB2A102J	CHIP R 1.0K J 1/10W	
R110			RK73GB2A823J	CHIP R 82K J 1/10W	Q1	R504,505			RK73GB2A222J	CHIP R 2.2K J 1/10W	E2Q1M3
R110			RK73GB2A823J	CHIP R 82K J 1/10W	X2E2R2	R504,505			RK73GB2A222J	CHIP R 2.2K J 1/10W	KK1K2
R111			RK73GB2A103J	CHIP R 10K J 1/10W	KK1K2	R504,505			RK73GB2A222J	CHIP R 2.2K J 1/10W	M1M2K4
R111			RK73GB2A103J	CHIP R 10K J 1/10W	K5M3M4	R504,505			RK73GB2A222J	CHIP R 2.2K J 1/10W	M4
R111			RK73GB2A103J	CHIP R 10K J 1/10W	M2X1K4	R504,505			RK73GB2A222J	CHIP R 2.2K J 1/10W	R1E1K3
R111			RK73GB2A103J	CHIP R 10K J 1/10W	R1K3M1	R504,505			RK73GB2A222J	CHIP R 2.2K J 1/10W	R2K5
R111			RK73GB2A103J	CHIP R 10K J 1/10W	Q1	R506			RK73GB2A4R7J	CHIP R 4.7 J 1/10W	E2Q1M3
R111			RK73GB2A103J	CHIP R 10K J 1/10W	X2E2R2	R506			RK73GB2A4R7J	CHIP R 4.7 J 1/10W	KK1K2
R112			RK73GB2A473J	CHIP R 47K J 1/10W	KK1K2	R506			RK73GB2A4R7J	CHIP R 4.7 J 1/10W	M1M2K4
R112			RK73GB2A473J	CHIP R 47K J 1/10W	K5M3M4	R506			RK73GB2A4R7J	CHIP R 4.7 J 1/10W	M4
R112			RK73GB2A473J	CHIP R 47K J 1/10W	M2X1K4	R506			RK73GB2A4R7J	CHIP R 4.7 J 1/10W	R1E1K3
R112			RK73GB2A473J	CHIP R 47K J 1/10W	R1K3M1	R506			RK73GB2A4R7J	CHIP R 4.7 J 1/10W	R2K5
R112			RK73GB2A473J	CHIP R 47K J 1/10W	Q1	R510			RK73GB2A100J	CHIP R 10 J 1/10W	X1X2
R112			RK73GB2A473J	CHIP R 47K J 1/10W	X2E2R2	R553			RK73GB2A562J	CHIP R 5.6K J 1/10W	E1
R113			RK73FB2B221J	CHIP R 220 J 1/8W		R554			RK73GB2A332J	CHIP R 3.3K J 1/10W	E1
R114			RK73GH2A243D	CHIP R 24K D 1/10W		R555,556			RK73GB2A331J	CHIP R 330 J 1/10W	E1
R115			RK73GH2A432D	CHIP R 4.3K D 1/10W		R557,558			RK73GB2A330J	CHIP R 33 J 1/10W	E1
R117			RK73FB2B152J	CHIP R 1.5K J 1/8W	K	R561			RK73GB2A270J	CHIP R 27 J 1/10W	E1
R118			RK73GB2A752J	CHIP R 7.5K J 1/10W	K	R562,563			RK73GB2A151J	CHIP R 150 J 1/10W	E1
R119			RK73GB2A750J	CHIP R 75 J 1/10W	K	R564			RK73GB2A431J	CHIP R 430 J 1/10W	E1
R120			RK73GB2A272J	CHIP R 2.7K J 1/10W	K	R565			RK73GB2A100J	CHIP R 10 J 1/10W	E1
R121			RK73GB2A470J	CHIP R 47 J 1/10W	K	R565			RK73GB2A000J	CHIP R 0.0 J 1/10W	KK1K2
R122			RK73GB2A752J	CHIP R 7.5K J 1/10W	K	R567			RK73GB2A000J	CHIP R 0.0 J 1/10W	K5M3M4
R123			RK73GB2A274J	CHIP R 270K J 1/10W	K	R567			RK73GB2A000J	CHIP R 0.0 J 1/10W	M2X1K4
R124			RK73GB2A563J	CHIP R 56K J 1/10W	K	R567			RK73GB2A000J	CHIP R 0.0 J 1/10W	R1K3M1
R125			RK73GB2A470J	CHIP R 47 J 1/10W	K	R567			RK73GB2A000J	CHIP R 0.0 J 1/10W	Q1
R126			RK73GB2A103J	CHIP R 10K J 1/10W	K	R567			RK73GB2A000J	CHIP R 0.0 J 1/10W	X2E2R2
R127,128			RK73GB2A913J	CHIP R 91K J 1/10W	K	R568			RK73GB2A000J	CHIP R 0.0 J 1/10W	E1
R130			RK73GB2A100J	CHIP R 10 J 1/10W		R597			RK73GB2A000J	CHIP R 0.0 J 1/10W	E1
R201,202			RK73FB2B100J	CHIP R 10 J 1/8W		R599			RK73GB2A1R0J	CHIP R 1.0 J 1/10W	
R203,204			RK73GB2A223J	CHIP R 22K J 1/10W		R600			RK73EB2E200J	CHIP R 20 J 1/4W	E1M1M2
R205			RK73FB2B4R7J	CHIP R 4.7 J 1/8W		R600			RK73EB2E200J	CHIP R 20 J 1/4W	M3M4X2
R206			RK73GB2A102J	CHIP R 1.0K J 1/10W		R600			RK73EB2E200J	CHIP R 20 J 1/4W	X1E2Q1
R207			RK73GB2A3R9J	CHIP R 3.9 J 1/10W		R601			RK73EB2E100J	CHIP R 10 J 1/4W	E1M1M2
R401			RK73GB2A104J	CHIP R 100K J 1/10W		R601			RK73EB2E100J	CHIP R 10 J 1/4W	M3M4X2
R402			RK73GB2A102J	CHIP R 1.0K J 1/10W		R601			RK73EB2E100J	CHIP R 10 J 1/4W	X1E2Q1
R403			RK73GB2A103J	CHIP R 10K J 1/10W		R602			RK73EB2E200J	CHIP R 20 J 1/4W	E1M1M2
R404,405			RK73GB2A101J	CHIP R 100 J 1/10W		R602			RK73EB2E200J	CHIP R 20 J 1/4W	M3M4X2
R407			RK73EB2E2R2J	CHIP R 2.2 J 1/4W		R602			RK73EB2E200J	CHIP R 20 J 1/4W	X1E2Q1
R408			RK73GB2A103J	CHIP R 10K J 1/10W		R603			RK73EB2E102J	CHIP R 1.0K J 1/4W	E1M1M2
R411-414	*		RK73GB2A560JH	CHIP R 56 J 1/10W		R603			RK73EB2E102J	CHIP R 1.0K J 1/4W	M3M4X2
R417,418	*		RK73GB2A101JH	CHIP R 100 J 1/10W		R603			RK73EB2E102J	CHIP R 1.0K J 1/4W	X1E2Q1
R449			RK73GB2A100J	CHIP R 10 J 1/10W		R604			RK73EB2E101J	CHIP R 100 J 1/4W	E1M1M2
R451,452			RK73GB2A101J	CHIP R 100 J 1/10W		R604			RK73EB2E101J	CHIP R 100 J 1/4W	M3M4X2
R453,454			RK73GB2A473J	CHIP R 47K J 1/10W		R604			RK73EB2E101J	CHIP R 100 J 1/4W	X1E2Q1
R455			RK73EB2E4R7J	CHIP R 4.7 J 1/4W		R605			RK73EB2E102J	CHIP R 1.0K J 1/4W	E1M1M2
R456			RK73GB2A101J	CHIP R 100 J 1/10W		R605			RK73EB2E102J	CHIP R 1.0K J 1/4W	M3M4X2
R500			RK73GB2A222J	CHIP R 2.2K J 1/10W	E2Q1M3	R605			RK73EB2E102J	CHIP R 1.0K J 1/4W	X1E2Q1
R500			RK73GB2A222J	CHIP R 2.2K J 1/10W	KK1K2	R606-608			RK73EB2E101J	CHIP R 100 J 1/4W	E1M1M2
R500			RK73GB2A222J	CHIP R 2.2K J 1/10W	M1M2K4	R606-608			RK73EB2E101J	CHIP R 100 J 1/4W	M3M4X2
R500			RK73GB2A222J	CHIP R 2.2K J 1/10W	M4	R606-608			RK73EB2E101J	CHIP R 100 J 1/4W	X1E2Q1
R500			RK73GB2A222J	CHIP R 2.2K J 1/10W	R1E1K3	R609,610			RK73EB2E102J	CHIP R 1.0K J 1/4W	E1M1M2
R500			RK73GB2A222J	CHIP R 2.2K J 1/10W	R2K5	R609,610			RK73EB2E102J	CHIP R 1.0K J 1/4W	M3M4X2
R501			RK73GB2A223J	CHIP R 22K J 1/10W		R609,610			RK73EB2E102J	CHIP R 1.0K J 1/4W	X1E2Q1

E1: DNX5260BT E2: DDX5026 (Europe) Q1: DDX5056 (Russian)
 K: DNX6960 K1: DNX6160 K2: DNX6020EX K3: DNX5160 K4: DDX616 K5: DDX516 (North America)
 X1: DNX5360 X2: DDX5036 (Australia) R1: DNX6460BT R2: DDX6046BT (Latin America)
 M1: DNX5360 M2: DNX5360M M3: DDX5036 M4: DDX5036M (Other Areas)

△ Indicates safety critical components.

PARTS LIST

ELECTRIC UNIT (X34-668/676x-xx)

Ref. No.	Ad	New	Parts No.	Description	Desti- nation	Ref. No.	Ad	New	Parts No.	Description	Desti- nation
R611			RK73EB2E101J	CHIP R 100 J 1/4W	E1M1M2	R661-663			RK73EB2E101J	CHIP R 100 J 1/4W	KK1K2
R611			RK73EB2E101J	CHIP R 100 J 1/4W	M3M4X2	R661-663			RK73EB2E101J	CHIP R 100 J 1/4W	K5M3M4
R611			RK73EB2E101J	CHIP R 100 J 1/4W	X1E2Q1	R661-663			RK73EB2E101J	CHIP R 100 J 1/4W	M2X1K4
R612			RK73GB2A100J	CHIP R 10 J 1/10W	E1M1M2	R661-663			RK73EB2E101J	CHIP R 100 J 1/4W	R1K3M1
R612			RK73GB2A100J	CHIP R 10 J 1/10W	M3M4X2	R661-663			RK73EB2E101J	CHIP R 100 J 1/4W	Q1
R612			RK73GB2A100J	CHIP R 10 J 1/10W	X1E2Q1	R661-663			RK73EB2E101J	CHIP R 100 J 1/4W	X2E2R2
R613			RK73GB2A750J	CHIP R 75 J 1/10W	E1M1M2	R664-666			RK73GB2A103J	CHIP R 10K J 1/10W	KK1K2
R613			RK73GB2A750J	CHIP R 75 J 1/10W	M3M4X2	R664-666			RK73GB2A103J	CHIP R 10K J 1/10W	K5M3M4
R613			RK73GB2A750J	CHIP R 75 J 1/10W	X1E2Q1	R664-666			RK73GB2A103J	CHIP R 10K J 1/10W	M2X1K4
R615			RK73GB2A000J	CHIP R 0.0 J 1/10W	E1M1M2	R664-666			RK73GB2A103J	CHIP R 10K J 1/10W	R1K3M1
R615			RK73GB2A000J	CHIP R 0.0 J 1/10W	M3M4X2	R664-666			RK73GB2A103J	CHIP R 10K J 1/10W	Q1
R615			RK73GB2A000J	CHIP R 0.0 J 1/10W	X1E2Q1	R664-666			RK73GB2A103J	CHIP R 10K J 1/10W	X2E2R2
R618-620			RK73GB2A100J	CHIP R 10 J 1/10W	E1M1M2	R667-669			RK73GB2A100J	CHIP R 10 J 1/10W	KK1K2
R618-620			RK73GB2A100J	CHIP R 10 J 1/10W	M3M4X2	R667-669			RK73GB2A100J	CHIP R 10 J 1/10W	K5M3M4
R618-620			RK73GB2A100J	CHIP R 10 J 1/10W	X1E2Q1	R667-669			RK73GB2A100J	CHIP R 10 J 1/10W	M2X1K4
R621			RK73GB2A100J	CHIP R 10 J 1/10W	KK1K2	R667-669			RK73GB2A100J	CHIP R 10 J 1/10W	R1K3M1
R621			RK73GB2A100J	CHIP R 10 J 1/10W	R1K3K4	R667-669			RK73GB2A100J	CHIP R 10 J 1/10W	Q1
R621			RK73GB2A100J	CHIP R 10 J 1/10W	R2K5	R667-669			RK73GB2A100J	CHIP R 10 J 1/10W	X2E2R2
R650,651			RK73EB2E200J	CHIP R 20 J 1/4W	KK1K2	R670			RK73GB2A223J	CHIP R 22K J 1/10W	KK1K2
R650,651			RK73EB2E200J	CHIP R 20 J 1/4W	K5M3M4	R670			RK73GB2A223J	CHIP R 22K J 1/10W	K5M3M4
R650,651			RK73EB2E200J	CHIP R 20 J 1/4W	M2X1K4	R670			RK73GB2A223J	CHIP R 22K J 1/10W	M2X1K4
R650,651			RK73EB2E200J	CHIP R 20 J 1/4W	R1K3M1	R670			RK73GB2A223J	CHIP R 22K J 1/10W	R1K3M1
R650,651			RK73EB2E200J	CHIP R 20 J 1/4W	Q1	R670			RK73GB2A223J	CHIP R 22K J 1/10W	Q1
R652			RK73EB2E100J	CHIP R 10 J 1/4W	X2E2R2	R670			RK73GB2A223J	CHIP R 22K J 1/10W	X2E2R2
R652			RK73EB2E100J	CHIP R 10 J 1/4W	KK1K2	R671			RK73GB2A100J	CHIP R 10 J 1/10W	E1
R652			RK73EB2E100J	CHIP R 10 J 1/4W	K5M3M4	R673			RK73GB2A103J	CHIP R 10K J 1/10W	KK1K2
R652			RK73EB2E100J	CHIP R 10 J 1/4W	M2X1K4	R673			RK73GB2A103J	CHIP R 10K J 1/10W	K5M3M4
R652			RK73EB2E100J	CHIP R 10 J 1/4W	R1K3M1	R673			RK73GB2A103J	CHIP R 10K J 1/10W	M2X1K4
R652			RK73EB2E100J	CHIP R 10 J 1/4W	Q1	R673			RK73GB2A103J	CHIP R 10K J 1/10W	R1K3M1
R652			RK73EB2E100J	CHIP R 10 J 1/4W	X2E2R2	R673			RK73GB2A103J	CHIP R 10K J 1/10W	Q1
R653,654			RK73EB2E102J	CHIP R 1.0K J 1/4W	KK1K2	R673			RK73GB2A103J	CHIP R 10K J 1/10W	X2E2R2
R653,654			RK73EB2E102J	CHIP R 1.0K J 1/4W	K5M3M4	R801-806			RK73GB2A471J	CHIP R 470 J 1/10W	
R653,654			RK73EB2E102J	CHIP R 1.0K J 1/4W	M2X1K4	R807-812			RK73GB2A223J	CHIP R 22K J 1/10W	
R653,654			RK73EB2E102J	CHIP R 1.0K J 1/4W	R1K3M1	R813-818			RK73FB2B101J	CHIP R 100 J 1/8W	E1K3M1
R653,654			RK73EB2E102J	CHIP R 1.0K J 1/4W	Q1	R813-818			RK73FB2B101J	CHIP R 100 J 1/8W	K1K2R1
R653,654			RK73EB2E102J	CHIP R 1.0K J 1/4W	X2E2R2	R813-818			RK73FB2B101J	CHIP R 100 J 1/8W	K5M3M4
R655			RK73GB2A473J	CHIP R 47K J 1/10W	R1K3M1	R813-818			RK73FB2B101J	CHIP R 100 J 1/8W	M2X1K4
R656,657			RK73GB2A103J	CHIP R 10K J 1/10W	KK1K2	R813-818			RK73FB2B101J	CHIP R 100 J 1/8W	Q1
R656,657			RK73GB2A103J	CHIP R 10K J 1/10W	K5M3M4	R813-818			RK73FB2B101J	CHIP R 100 J 1/8W	X2E2R2
R656,657			RK73GB2A103J	CHIP R 10K J 1/10W	M2X1K4	R819-824			RK73GB2A104J	CHIP R 100K J 1/10W	K
R656,657			RK73GB2A103J	CHIP R 10K J 1/10W	R1K3M1	R825-836			RK73FB2B103J	CHIP R 10K J 1/8W	K
R656,657			RK73GB2A103J	CHIP R 10K J 1/10W	Q1	R837-842			RK73EB2E820J	CHIP R 82 J 1/4W	K
R656,657			RK73GB2A103J	CHIP R 10K J 1/10W	X2E2R2	R843			RK73GB2A1R0J	CHIP R 1.0 J 1/10W	
R658			RK73GB2A473J	CHIP R 47K J 1/10W	KK1K2	R905			RK73GB2A333J	CHIP R 33K J 1/10W	
R658			RK73GB2A473J	CHIP R 47K J 1/10W	K5M3M4	R906			RK73GB2A123J	CHIP R 12K J 1/10W	
R658			RK73GB2A473J	CHIP R 47K J 1/10W	M2X1K4	R907	*		RK73GB2A300JH	CHIP R 30 J 1/10W	
R658			RK73GB2A473J	CHIP R 47K J 1/10W	R1K3M1	R908			RK73GB2A223J	CHIP R 22K J 1/10W	
R658			RK73GB2A473J	CHIP R 47K J 1/10W	Q1	R909			RK73GB2A221J	CHIP R 220 J 1/10W	
R658			RK73GB2A473J	CHIP R 47K J 1/10W	X2E2R2	R910			RK73GB2A822J	CHIP R 8.2K J 1/10W	
R659			RK73GB2A472J	CHIP R 4.7K J 1/10W	KK1K2	R911-914	*		RK73GB2A820JH	CHIP R 82 J 1/10W	
R659			RK73GB2A472J	CHIP R 4.7K J 1/10W	K5M3M4	R915			RK73GB2A473J	CHIP R 47K J 1/10W	
R659			RK73GB2A472J	CHIP R 4.7K J 1/10W	M2X1K4	D1			RM4ZLF-J1NF	DIODE	
R659			RK73GB2A472J	CHIP R 4.7K J 1/10W	R1K3M1	D2 -4			1SS355	DIODE	
R659			RK73GB2A472J	CHIP R 4.7K J 1/10W	Q1	D5			UDZW6.2(B)	ZENER DIODE	
R659			RK73GB2A472J	CHIP R 4.7K J 1/10W	X2E2R2						

E1: DNX5260BT E2: DDX5026 (Europe) Q1: DDX5056 (Russian)

△ Indicates safety critical components.

K: DNX6960 K1: DNX6160 K2: DNX6020EX K3: DNX5160 K4: DDX616 K5: DDX516 (North America)

80 X1: DNX5360 X2: DDX5036 (Australia) R1: DNX6460BT R2: DDX6046BT (Latin America)

M1: DNX5360 M2: DNX5360M M3: DDX5036 M4: DDX5036M (Other Areas)

PARTS LIST

ELECTRIC UNIT (X34-668/676x-xx)

Ref. No.	Add	New	Parts No.	Description	Destination	Ref. No.	Add	New	Parts No.	Description	Destination
D6			1SS355	DIODE		IC104			M5237ML-CF0J	ANALOGUE IC	
D7			UDZW6.2(B)	ZENER DIODE		IC401			E-TDA7415CB	ANALOGUE IC	
D8 ,9			M1F60-6063	DIODE		IC451		*	AN15863UA-VB	ANALOGUE IC	
D10			1SS355	DIODE		IC500			E-TDA7478AD	ANALOGUE IC	E2Q1M3
D11 ,12			M1F60-6063	DIODE		IC500			E-TDA7478AD	ANALOGUE IC	KK1K2
D13			UDZW4.7(B)	ZENER DIODE		IC500			E-TDA7478AD	ANALOGUE IC	M1M2K4
D101			UDZW5.6(B)	ZENER DIODE		IC500			E-TDA7478AD	ANALOGUE IC	M4
D104			UDZW6.8(B)	ZENER DIODE		IC500			E-TDA7478AD	ANALOGUE IC	R1E1K3
D111			UDZW11(B)	ZENER DIODE	K	IC500			E-TDA7478AD	ANALOGUE IC	R2K5
D112			UDZW5.6(B)	ZENER DIODE	K	IC651			74AHCT08PW	MOS-IC	KK1K2
D201-203			UDZW8.2(B)	ZENER DIODE		IC651			74AHCT08PW	MOS-IC	K5M3M4
D401-403			KDS120-P	DIODE		IC651			74AHCT08PW	MOS-IC	M2X1K4
D404,405			1SS355	DIODE		IC651			74AHCT08PW	MOS-IC	R1K3M1
D551			EZAE3A50A	SURGE ABSORBER	E1	IC651			74AHCT08PW	MOS-IC	Q1
D601-611			UDZW6.2(B)	ZENER DIODE	E1M1M2	IC651			74AHCT08PW	MOS-IC	X2E2R2
D601-611			UDZW6.2(B)	ZENER DIODE	M3M4X2	IC801-803			NJM4565V-ZB	ANALOGUE IC	K
D612,613			UDZW6.8(B)	ZENER DIODE	X1E2Q1	IC901			E-TDA7850A	ANALOGUE IC	
D612,613			UDZW6.8(B)	ZENER DIODE	E1M1M2	Q1			KRC403-P	DIGITAL TRANSISTOR	
D612,613			UDZW6.8(B)	ZENER DIODE	M3M4X2	Q2			2SA1576A	TRANSISTOR	
D612,613			UDZW6.8(B)	ZENER DIODE	X1E2Q1	Q3			KRC403-P	DIGITAL TRANSISTOR	
D650,651			UDZW6.8(B)	ZENER DIODE	KK1K2	Q4			2SC4081	TRANSISTOR	
D650,651			UDZW6.8(B)	ZENER DIODE	K5M3M4	Q5			2SB1188(Q,R)	TRANSISTOR	
D650,651			UDZW6.8(B)	ZENER DIODE	M2X1K4	Q6			2SA1576A	TRANSISTOR	
D650,651			UDZW6.8(B)	ZENER DIODE	R1K3M1	Q7			KRA302-P	DIGITAL TRANSISTOR	
D650,651			UDZW6.8(B)	ZENER DIODE	Q1	Q8			KRC406-P	DIGITAL TRANSISTOR	
D650,651			UDZW6.8(B)	ZENER DIODE	X2E2R2	Q9			2SB1188(R)	TRANSISTOR	KK1K2
D652			UDZW6.2(B)	ZENER DIODE	KK1K2	Q9			2SB1188(R)	TRANSISTOR	M2X1K4
D652			UDZW6.2(B)	ZENER DIODE	K5M3M4	Q9			2SB1188(R)	TRANSISTOR	M3M4X2
D652			UDZW6.2(B)	ZENER DIODE	M2X1K4	Q9			2SB1188(R)	TRANSISTOR	R1K3M1
D652			UDZW6.2(B)	ZENER DIODE	R1K3M1	Q9			2SB1188(R)	TRANSISTOR	R2K5
D652			UDZW6.2(B)	ZENER DIODE	Q1	Q10			2SC4081	TRANSISTOR	KK1K2
D652			UDZW6.2(B)	ZENER DIODE	X2E2R2	Q10			2SC4081	TRANSISTOR	M2X1K4
D654			1SS355	DIODE	KK1K2	Q10			2SC4081	TRANSISTOR	M3M4X2
D654			1SS355	DIODE	K5M3M4	Q10			2SC4081	TRANSISTOR	R1K3M1
D654			1SS355	DIODE	M2X1K4	Q10			2SC4081	TRANSISTOR	R2K5
D654			1SS355	DIODE	Q1	Q101			KRC403-P	DIGITAL TRANSISTOR	
D654			1SS355	DIODE	Q1	Q102			KRA303-P	DIGITAL TRANSISTOR	
D654			1SS355	DIODE	X2E2R2	Q103			KRC403-P	DIGITAL TRANSISTOR	
D655-658			UDZW6.2(B)	ZENER DIODE	KK1K2	Q104			KRA303-P	DIGITAL TRANSISTOR	
D655-658			UDZW6.2(B)	ZENER DIODE	K5M3M4	Q105			KTA1046-P	TRANSISTOR	
D655-658			UDZW6.2(B)	ZENER DIODE	M2X1K4	Q106			KRC403-P	DIGITAL TRANSISTOR	
D655-658			UDZW6.2(B)	ZENER DIODE	R1K3M1	Q107			2SA1577	TRANSISTOR	
D655-658			UDZW6.2(B)	ZENER DIODE	Q1	Q108			KRC406-P	DIGITAL TRANSISTOR	KK1K2
D655-658			UDZW6.2(B)	ZENER DIODE	X2E2R2	Q108			KRC406-P	DIGITAL TRANSISTOR	K5M3M4
D663			UDZW6.2(B)	ZENER DIODE	KK1K2	Q108			KRC406-P	DIGITAL TRANSISTOR	M2X1K4
D663			UDZW6.2(B)	ZENER DIODE	K5M3M4	Q108			KRC406-P	DIGITAL TRANSISTOR	R1K3M1
D663			UDZW6.2(B)	ZENER DIODE	M2X1K4	Q108			KRC406-P	DIGITAL TRANSISTOR	Q1
D663			UDZW6.2(B)	ZENER DIODE	R1K3M1	Q108			KRC406-P	DIGITAL TRANSISTOR	X2E2R2
D663			UDZW6.2(B)	ZENER DIODE	Q1	Q109			TPC8110-F	FET	KK1K2
D663			UDZW6.2(B)	ZENER DIODE	X2E2R2	Q109			TPC8110-F	FET	K5M3M4
D801-806			KDS120-P	DIODE		Q109			TPC8110-F	FET	M2X1K4
D901			KDS120-P	DIODE		Q109			TPC8110-F	FET	R1K3M1
D902			1SS355	DIODE		Q109			TPC8110-F	FET	Q1
IC101			M5237ML-CF0J	ANALOGUE IC		Q109			TPC8110-F	FET	X2E2R2
IC103			ICL7660SIBAZ	ANALOGUE IC	K	Q110			KRC403-P	DIGITAL TRANSISTOR	K

E1: DNX5260BT E2: DDX5026 (Europe) Q1: DDX5056 (Russian)
 K: DNX6960 K1: DNX6160 K2: DNX6020EX K3: DNX5160 K4: DDX616 K5: DDX516 (North America)
 X1: DNX5360 X2: DDX5036 (Australia) R1: DNX6460BT R2: DDX6046BT (Latin America)
 M1: DNX5360 M2: DNX5360M M3: DDX5036 M4: DDX5036M (Other Areas)

△ Indicates safety critical components.

PARTS LIST

ELECTRIC UNIT (X34-668/676x-xx)

Ref. No.	Ad	New	Parts No.	Description	Destination
Q111			KRA303-P	DIGITAL TRANSISTOR	K
Q114			KRC403-P	DIGITAL TRANSISTOR	
Q115			KRA303-P	DIGITAL TRANSISTOR	
Q116			KTA1046-P	TRANSISTOR	
Q117			2SC4081	TRANSISTOR	
Q118			KTA1046-P	TRANSISTOR	
Q119			2SB1443	TRANSISTOR	K
Q120			2SC4081	TRANSISTOR	K
Q121,122			2SA1576A	TRANSISTOR	K
Q123			2SC4081	TRANSISTOR	K
Q124			2SA1576A	TRANSISTOR	K
Q125,126			2SC4081	TRANSISTOR	K
Q127			KRA303-P	DIGITAL TRANSISTOR	
Q128			2SC4081	TRANSISTOR	
Q500			KRC406-P	DIGITAL TRANSISTOR	
Q501			2SA1577	TRANSISTOR	
Q551			2SC3357-A	TRANSISTOR	E1
Q650,651			2SC4081	TRANSISTOR	KK1K2
Q650,651			2SC4081	TRANSISTOR	K5M3M4
Q650,651			2SC4081	TRANSISTOR	M2X1K4
Q650,651			2SC4081	TRANSISTOR	R1K3M1
Q650,651			2SC4081	TRANSISTOR	Q1
Q650,651			2SC4081	TRANSISTOR	X2E2R2
Q653,654			KRC404-P	DIGITAL TRANSISTOR	KK1K2
Q653,654			KRC404-P	DIGITAL TRANSISTOR	K5M3M4
Q653,654			KRC404-P	DIGITAL TRANSISTOR	M2X1K4
Q653,654			KRC404-P	DIGITAL TRANSISTOR	R1K3M1
Q653,654			KRC404-P	DIGITAL TRANSISTOR	Q1
Q653,654			KRC404-P	DIGITAL TRANSISTOR	X2E2R2
Q656,657			KRC406-P	DIGITAL TRANSISTOR	
Q801-803			KRA304-P	DIGITAL TRANSISTOR	
Q804-809			KRC410-P	DIGITAL TRANSISTOR	
TH901			PRF18BE471QS2	POSITIVE RESISTOR	
A500			X86-4030-11	FRONT-END UNIT	KK1K2
A500			X86-4030-11	FRONT-END UNIT	K4R2K5
A500			X86-4030-11	FRONT-END UNIT	R1K3X1
A500			X86-4030-11	FRONT-END UNIT	X2
A500			X86-4032-70	FRONT-END UNIT	E1M1M2
A500			X86-4032-70	FRONT-END UNIT	E2Q1M3
A500			X86-4032-70	FRONT-END UNIT	M4
VIDEO UNIT (X35-5060-10)					
C99			CC73GCH1H100D	CHIP C 10PF D	
C100			CC73GCH1H101J	CHIP C 100PF J	
C101-106			CK73EB1E106K	CHIP C 10UF K	
C111,112			CK73EB1E106K	CHIP C 10UF K	
C113			CK73GB1H104K	CHIP C 0.10UF K	
C114			CK73HB1E103K	CHIP C 0.010UF K	
C117,118			CK73HB1C473K	CHIP C 0.047UF K	
C119,120			CK73HB0J224K	CHIP C 0.22UF K	
C123			CK73HB1E103K	CHIP C 0.010UF K	
C124			CK73HB1H682K	CHIP C 6800PF K	
C125,126			CC73HCH1H101J	CHIP C 100PF J	
C127			CC73GCH1H102J	CHIP C 1000PF J	
C129			CC73GCH1H102J	CHIP C 1000PF J	

Ref. No.	Ad	New	Parts No.	Description	Destination
C131,132		*	C92-2031-05	ELECTRO 220UF	
C133,134			CK73GB1H104K	CHIP C 0.10UF K	
C135,136			CK73GB1H103K	CHIP C 0.010UF K	
C137-141			CK73FB0J226M	CHIP C 22UF M	
C142			CK73HB1E103K	CHIP C 0.010UF K	
C143			CK73HB1A104K	CHIP C 0.10UF K	
C151,152			CK73EB1E106K	CHIP C 10UF K	
C153			CK73GB1H103K	CHIP C 0.010UF K	
C154			CK73GB1H104K	CHIP C 0.10UF K	
C155-157			CK73EB1E106K	CHIP C 10UF K	
C158			CC73GCH1H471J	CHIP C 470PF J	
C160-163			CK73EB1H475K	CHIP C 4.7UF K	
C164			CC73HCH1H470J	CHIP C 47PF J	
C165			CC73HCH1H101J	CHIP C 100PF J	
C166,167			CK73HB1E103K	CHIP C 0.010UF K	
C168			CK73HB1A104K	CHIP C 0.10UF K	
C169			CK73FB1E475K	CHIP C 4.7UF K	
C170			CK73GB1H103K	CHIP C 0.010UF K	
C171			CK73GB1H104K	CHIP C 0.10UF K	
C181-184			CK73GB1A105K	CHIP C 1.0UF K	
C190,191			CK73FB0J226M	CHIP C 22UF M	
C201-203			CK73GB0J106M	CHIP C 10UF M	
C204			CK73HB1E103K	CHIP C 0.010UF K	
C205			CK73GB1C104K	CHIP C 0.10UF K	
C207			CK73GB1E154K	CHIP C 0.15UF K	
C208			CK73GB1H103K	CHIP C 0.010UF K	
C209			CK73GB1H104K	CHIP C 0.10UF K	
C210			CK73EB1E106K	CHIP C 10UF K	
C211			CC73HCH1H102J	CHIP C 1000PF J	
C212			CC73HCH1H151J	CHIP C 150PF J	
C213			CK73GB1C225K	CHIP C 2.2UF K	
C214			CK73GB1C104K	CHIP C 0.10UF K	
C215-217			CK73FB1C106K	CHIP C 10UF K	
C218			CK73GB1C224K	CHIP C 0.22UF K	
C219			CK73GB1H103K	CHIP C 0.010UF K	
C220			CK73GB1H104K	CHIP C 0.10UF K	
C221			CK73FB1C106K	CHIP C 10UF K	
C231			CK73FB1E475K	CHIP C 4.7UF K	
C232			CK73FB1C106K	CHIP C 10UF K	
C233			CK73GB1H104K	CHIP C 0.10UF K	
C234			CK73FB1C106K	CHIP C 10UF K	
C235			CK73GB1H103K	CHIP C 0.010UF K	
C236			CK73GB1C104K	CHIP C 0.10UF K	
C237			CK73FB1C106K	CHIP C 10UF K	
C238,239			CK73GB1C104K	CHIP C 0.10UF K	
C251,252			CK73FB1E475K	CHIP C 4.7UF K	
C301,302			CC73HCH1H180J	CHIP C 18PF J	
C303			CK73GB0J106M	CHIP C 10UF M	
C304			CK73HB1A104K	CHIP C 0.10UF K	
C305			CK73GB0J106M	CHIP C 10UF M	
C306-309			CK73HB1A104K	CHIP C 0.10UF K	
C310-316			CK73HB1E103K	CHIP C 0.010UF K	
C317			CK73HB1A104K	CHIP C 0.10UF K	
C318			CK73HB1E103K	CHIP C 0.010UF K	
C319-328			CK73HB1A104K	CHIP C 0.10UF K	

E1: DNX5260BT E2: DDX5026 (Europe) Q1: DDX5056 (Russian)

△ Indicates safety critical components.

K: DNX6960 K1: DNX6160 K2: DNX6020EX K3: DNX5160 K4: DDX616 K5: DDX516 (North America)

82 X1: DNX5360 X2: DDX5036 (Australia) R1: DNX6460BT R2: DDX6046BT (Latin America)

M1: DNX5360 M2: DNX5360M M3: DDX5036 M4: DDX5036M (Other Areas)

PARTS LIST

VIDEO UNIT (X35-5060-10)

Ref. No.	Add	New	Parts No.	Description	Destination	Ref. No.	Add	New	Parts No.	Description	Destination
C329			CK73HB1E103K	CHIP C 0.010UF K		C474			CG73HCH1H102J	CHIP C 1000PF J	
C330			CK73HB1A104K	CHIP C 0.10UF K		C481			CK73HB1E103K	CHIP C 0.010UF K	
C331			CK73HB1E103K	CHIP C 0.010UF K		C482			CK73GB0J106M	CHIP C 10UF M	
C332			CK73HB1A104K	CHIP C 0.10UF K		C501			CK73FB0J106K	CHIP C 10UF K	
C333-335			CK73GB0J106M	CHIP C 10UF M		C502,503			CK73HB1E103K	CHIP C 0.010UF K	
C338			CK73GB0J106M	CHIP C 10UF M		C511-513			CK73HB1A104K	CHIP C 0.10UF K	
C341-344			CK73HB1A104K	CHIP C 0.10UF K		C514			CK73FB0J226M	CHIP C 22UF M	
C345			CK73GB0J106M	CHIP C 10UF M		C515-518			CK73GB1H102K	CHIP C 1000PF K	
C355			CK73HB1A104K	CHIP C 0.10UF K		C521			CK73GB0J106M	CHIP C 10UF M	
C356-359			CC73HCH1H101J	CHIP C 100PF J		C522			CK73HB1A104K	CHIP C 0.10UF K	
C360,361			CK73HB1A104K	CHIP C 0.10UF K		C525			CC73GCH1H101J	CHIP C 100PF J	
C363-365			CK73HB1A104K	CHIP C 0.10UF K		C526			CC73GCH1H100D	CHIP C 10PF D	
C366			CK73GB0J106M	CHIP C 10UF M		C551-553			CK73HB1A104K	CHIP C 0.10UF K	
C368			CK73FB0J226M	CHIP C 22UF M		C562			CC73GCH1H101J	CHIP C 100PF J	
C369-375			CK73HB1A104K	CHIP C 0.10UF K		CN101			E41-2985-05	FLAT CABLE CONNECTOR	
C376			CK73GB0J106M	CHIP C 10UF M		CN103			E41-2615-05	FLAT CABLE CONNECTOR	
C378			CK73HB1A104K	CHIP C 0.10UF K		CN401			E41-2812-05	FLAT CABLE CONNECTOR	
C379			CK73GB0J106M	CHIP C 10UF M		CN501			E41-2276-05	FLAT CABLE CONNECTOR	
C380			CK73HB1A104K	CHIP C 0.10UF K		CN502			E41-2613-05	FLAT CABLE CONNECTOR	
C381			CK73HB1E103K	CHIP C 0.010UF K		J501			E11-1001-05	3.5D PHONE JACK	
C382			CK73HB1A104K	CHIP C 0.10UF K		F201			F53-0280-05	FUSE (0.63A)	
C383			CK73FB0J226M	CHIP C 22UF M		L101	*		L33-2582-05	CHOKO COIL	
C384-387			CK73HB1A104K	CHIP C 0.10UF K		L102			L92-0364-05	CHIP FERRITE	
C391-393			CK73FB0J226M	CHIP C 22UF M		L103,104	*		L33-2582-05	CHOKO COIL	
C394			CC73HCH1H330J	CHIP C 33PF J		L105	*		L33-2583-05	CHOKO COIL	
C395,396			CK73FB0J226M	CHIP C 22UF M		L106	*		L33-2607-05	CHOKO COIL	
C401			CK73FB1E475K	CHIP C 4.7UF K		L201	*		L33-2583-05	CHOKO COIL	
C402			CK73HB1E103K	CHIP C 0.010UF K		L202			L41-4792-13	SMALL FIXED INDUCTOR (4.7UH)	
C403			CK73GB1H104K	CHIP C 0.10UF K		L203	*		L33-2610-05	CHOKO COIL	
C404			CK73HB1E103K	CHIP C 0.010UF K		L205			L41-1005-33	SMALL FIXED INDUCTOR (10U)	
C405			CK73GB1H104K	CHIP C 0.10UF K		L206			L41-1001-34	SMALL FIXED INDUCTOR (10U, 2520)	
C406			CK73FB1E475K	CHIP C 4.7UF K		L207			L41-1005-33	SMALL FIXED INDUCTOR (10U)	
C407-409			CK73GB0J106M	CHIP C 10UF M		L301-304			L92-0180-05	CHIP FERRITE	
C410			CK73HB1A104K	CHIP C 0.10UF K		L305			L41-1005-33	SMALL FIXED INDUCTOR (10U)	
C411			CK73HB1E103K	CHIP C 0.010UF K		L306-309			L92-0180-05	CHIP FERRITE	
C412-414			CK73FB1C106K	CHIP C 10UF K		L310			L92-0668-05	CHIP FERRITE	
C415			CK73GB1C104K	CHIP C 0.10UF K		L311			L92-0388-05	CHIP FERRITE	
C416			CK73HB1E103K	CHIP C 0.010UF K		L312-314			L92-0180-05	CHIP FERRITE	
C451			CK73FB0J226M	CHIP C 22UF M		L315			L92-0364-05	CHIP FERRITE	
C452			CK73HB1E103K	CHIP C 0.010UF K		L317			L92-0180-05	CHIP FERRITE	
C453			CK73GB1H104K	CHIP C 0.10UF K		L331-348	*		L92-0172-05	CHIP FERRITE	
C454			CK73FB0J226M	CHIP C 22UF M		L349			L41-2281-15	SMALL FIXED INDUCTOR (220NH)	
C455			CK73HB1A104K	CHIP C 0.10UF K		L401-403			L92-0180-05	CHIP FERRITE	
C456			CC73HCH1H102J	CHIP C 1000PF J		L404			L92-0668-05	CHIP FERRITE	
C458			CK73HB1A104K	CHIP C 0.10UF K		L405			L92-0180-05	CHIP FERRITE	
C459			CC73HCH1H102J	CHIP C 1000PF J		L406			L92-0668-05	CHIP FERRITE	
C461			CK73HB1A104K	CHIP C 0.10UF K		L411			L92-0388-05	CHIP FERRITE	
C462			CC73HCH1H102J	CHIP C 1000PF J		L412			L92-0668-05	CHIP FERRITE	
C464			CK73HB1A104K	CHIP C 0.10UF K		L413			L41-1005-33	SMALL FIXED INDUCTOR (10U)	
C465			CC73HCH1H102J	CHIP C 1000PF J		L502			L41-1005-33	SMALL FIXED INDUCTOR (10U)	
C467			CK73HB1A104K	CHIP C 0.10UF K		X301			L77-2996-05	CRYSTAL RESONATOR (14.31818MHZ)	
C468			CC73HCH1H102J	CHIP C 1000PF J		CP215			RK74HB1J560J	CHIP-COM 56 J 1/16W	
C470			CK73HB1A104K	CHIP C 0.10UF K		CP301			RK74HB1J101J	CHIP-COM 100 J 1/16W	
C471			CC73HCH1H102J	CHIP C 1000PF J							
C473			CK73HB1A104K	CHIP C 0.10UF K							

E1: DNX5260BT E2: DDX5026 (Europe) Q1: DDX5056 (Russian)
 K: DNX6960 K1: DNX6160 K2: DNX6020EX K3: DNX5160 K4: DDX616 K5: DDX516 (North America)
 X1: DNX5360 X2: DDX5036 (Australia) R1: DNX6460BT R2: DDX6046BT (Latin America)
 M1: DNX5360 M2: DNX5360M M3: DDX5036 M4: DDX5036M (Other Areas)

△ Indicates safety critical components.

PARTS LIST

VIDEO UNIT (X35-5060-10)

Ref. No.	A d d	N e w	Parts No.	Description	Desti- nation	Ref. No.	A d d	N e w	Parts No.	Description	Desti- nation
CP302-307			RK74HB1J121J	CHIP-COM 120 J 1/16W		R197			RK73FB2B100J	CHIP R 10 J 1/8W	
CP308-312			RK74HB1J101J	CHIP-COM 100 J 1/16W		R198			RK73GB2A000J	CHIP R 0.0 J 1/10W	
CP313-315			RK74HB1J560J	CHIP-COM 56 J 1/16W		R202			RK73HB1J473J	CHIP R 47K J 1/16W	
CP401-404			RK74HB1J820J	CHIP-COM 82 J 1/16W		R203			RK73HH1J104D	CHIP R 100K D 1/16W	
R1 -12			RK73GB2A000J	CHIP R 0.0 J 1/10W		R204			RK73HH1J133D	CHIP R 13K D 1/16W	
R101-103			RK73HB1J101J	CHIP R 100 J 1/16W		R205	*		RK73HH1J114D	CHIP R 110K D 1/16W	
R104,105			RK73GB2A000J	CHIP R 0.0 J 1/10W		R206			RK73HH1J822D	CHIP R 8.2K D 1/16W	
R106			RK73HB1J000J	CHIP R 0.0 J 1/16W		R209			RK73GB2A103J	CHIP R 10K J 1/10W	
R107			RK73HB1J100J	CHIP R 10 J 1/16W		R212			RK73HB1J473J	CHIP R 47K J 1/16W	
R108,109			RK73HB1J101J	CHIP R 100 J 1/16W		R213			RK73HB1J302J	CHIP R 3.0K J 1/16W	
R110			RK73GB2A000J	CHIP R 0.0 J 1/10W		R214			RK73HB1J272J	CHIP R 2.7K J 1/16W	
R121			RK73HH1J333D	CHIP R 33K D 1/16W		R215			RK73HB1J332J	CHIP R 3.3K J 1/16W	
R122			RK73HH1J473D	CHIP R 47K D 1/16W		R216			RK73HB1J272J	CHIP R 2.7K J 1/16W	
R123			RK73HH1J622D	CHIP R 6.2K D 1/16W		R217			RK73HH1J183D	CHIP R 18K D 1/16W	
R124			RK73HH1J153D	CHIP R 15K D 1/16W		R218			RK73HH1J912D	CHIP R 9.1K D 1/16W	
R125			RK73HB1J563J	CHIP R 56K J 1/16W		R219			RK73HH1J621D	CHIP R 620 D 1/16W	
R126			RK73HB1J433J	CHIP R 43K J 1/16W		R220			RK73GB2A000J	CHIP R 0.0 J 1/10W	
R127,128			RK73HB1J104J	CHIP R 100K J 1/16W		R222			RK73HB1J101J	CHIP R 100 J 1/16W	
R129			RK73HH1J683D	CHIP R 68K D 1/16W		R223			RK73HB1J103J	CHIP R 10K J 1/16W	
R130			RK73HB1J000J	CHIP R 0.0 J 1/16W		R224			RK73HB1J101J	CHIP R 100 J 1/16W	
R131			RK73HB1J473J	CHIP R 47K J 1/16W		R225			RK73HB1J102J	CHIP R 1.0K J 1/16W	
R132			RK73HB1J101J	CHIP R 100 J 1/16W		R226			RK73HB1J103J	CHIP R 10K J 1/16W	
R133,134			RK73EB2E100J	CHIP R 10 J 1/4W		R227			RK73HH1J822D	CHIP R 8.2K D 1/16W	
R137-140			RK73GB2A000J	CHIP R 0.0 J 1/10W		R228			RK73HH1J113D	CHIP R 11K D 1/16W	
R141,142			RK73HB1J000J	CHIP R 0.0 J 1/16W		R229,230			RK73HB1J472J	CHIP R 4.7K J 1/16W	
R151			RK73EB2E100J	CHIP R 10 J 1/4W		R251			RK73HB1J101J	CHIP R 100 J 1/16W	
R152			RK73HH1J104D	CHIP R 100K D 1/16W		R252			RK73HB1J103J	CHIP R 10K J 1/16W	
R153			RK73HH1J472D	CHIP R 4.7K D 1/16W		R253			RK73HB1J101J	CHIP R 100 J 1/16W	
R154			RK73HH1J103D	CHIP R 10K D 1/16W		R254			RK73HB1J102J	CHIP R 1.0K J 1/16W	
R155			RK73HB1J103J	CHIP R 10K J 1/16W		R255			RK73HB1J103J	CHIP R 10K J 1/16W	
R156			RK73HB1J302J	CHIP R 3.0K J 1/16W		R301			RK73HB1J471J	CHIP R 470 J 1/16W	
R157		*	RK73HH1J514D	CHIP R 510K D 1/16W		R302			RK73HB1J105J	CHIP R 1.0M J 1/16W	
R158			RK73HH1J273D	CHIP R 27K D 1/16W		R303			RK73HB1J000J	CHIP R 0.0 J 1/16W	
R159			RK73HB1J302J	CHIP R 3.0K J 1/16W		R304			RK73HH1J303D	CHIP R 30K D 1/16W	
R160			RK73HB1J563J	CHIP R 56K J 1/16W		R305			RK73HH1J473D	CHIP R 47K D 1/16W	
R161			RK73HB1J104J	CHIP R 100K J 1/16W		R306,307			RK73HH1J102D	CHIP R 1.0K D 1/16W	
R162			RK73HB1J000J	CHIP R 0.0 J 1/16W		R308-311			RK73HB1J000J	CHIP R 0.0 J 1/16W	
R163			RK73HB1J104J	CHIP R 100K J 1/16W		R313-320			RK73HH1J102D	CHIP R 1.0K D 1/16W	
R164			RK73HB1J000J	CHIP R 0.0 J 1/16W		R321			RK73HB1J104J	CHIP R 100K J 1/16W	
R165			RK73HB1J104J	CHIP R 100K J 1/16W		R322			RK73HB1J103J	CHIP R 10K J 1/16W	
R166			RK73HB1J000J	CHIP R 0.0 J 1/16W		R323			RK73HH1J273D	CHIP R 27K D 1/16W	
R167			RK73HH1J104D	CHIP R 100K D 1/16W		R324			RK73HH1J123D	CHIP R 12K D 1/16W	
R170,171			RK73HB1J000J	CHIP R 0.0 J 1/16W		R325			RK73HB1J103J	CHIP R 10K J 1/16W	
R172			RK73HB1J104J	CHIP R 100K J 1/16W		R326			RK73HH1J123D	CHIP R 12K D 1/16W	
R176			RK73GB2A000J	CHIP R 0.0 J 1/10W		R327			RK73HH1J153D	CHIP R 15K D 1/16W	
R181,182			RK73HB1J101J	CHIP R 100 J 1/16W		R328-330			RK73HB1J103J	CHIP R 10K J 1/16W	
R183,184			RK73HB1J473J	CHIP R 47K J 1/16W		R332			RK73HB1J103J	CHIP R 10K J 1/16W	
R185			RK73FB2B152J	CHIP R 1.5K J 1/8W		R334			RK73HB1J103J	CHIP R 10K J 1/16W	
R186			RK73HB1J100J	CHIP R 10 J 1/16W		R336			RK73HB1J103J	CHIP R 10K J 1/16W	
R191			RK73EB2E000J	CHIP R 0.0 J 1/4W		R338			RK73HB1J103J	CHIP R 10K J 1/16W	
R192			RK73HH1J202D	CHIP R 2.0K D 1/16W		R340			RK73HB1J104J	CHIP R 100K J 1/16W	
R193			RK73HH1J182D	CHIP R 1.8K D 1/16W		R341			RK73HB1J000J	CHIP R 0.0 J 1/16W	
R194			RK73HH1J912D	CHIP R 9.1K D 1/16W		R343-349			RK73HB1J103J	CHIP R 10K J 1/16W	
R195			RK73GB2A2R2J	CHIP R 2.2 J 1/10W		R350,351			RK73HB1J472J	CHIP R 4.7K J 1/16W	
R196			RK73FB2B000J	CHIP R 0.0 J 1/8W		R352,353			RK73HB1J101J	CHIP R 100 J 1/16W	

E1: DNX5260BT E2: DDX5026 (Europe) Q1: DDX5056 (Russian)

△ Indicates safety critical components.

K: DNX6960 K1: DNX6160 K2: DNX6020EX K3: DNX5160 K4: DDX616 K5: DDX516 (North America)

84 X1: DNX5360 X2: DDX5036 (Australia) R1: DNX6460BT R2: DDX6046BT (Latin America)

M1: DNX5360 M2: DNX5360M M3: DDX5036 M4: DDX5036M (Other Areas)

PARTS LIST

VIDEO UNIT (X35-5060-10)

Ref. No.	Add	New	Parts No.	Description	Destination	Ref. No.	Add	New	Parts No.	Description	Destination
R355			RK73HB1J103J	CHIP R 10K J 1/16W		R513,514			RK73HB1J333J	CHIP R 33K J 1/16W	
R356-358			RK73HB1J101J	CHIP R 100 J 1/16W		R517-519			RK73GB2A000J	CHIP R 0.0 J 1/10W	
R359			RK73HB1J560J	CHIP R 56 J 1/16W		R521			RK73HB1J473J	CHIP R 47K J 1/16W	
R361			RK73HB1J101J	CHIP R 100 J 1/16W		R522			RK73GH2A131D	CHIP R 130 D 1/10W	
R362,363			RK73HB1J472J	CHIP R 4.7K J 1/16W		R524			RK73HB1J473J	CHIP R 47K J 1/16W	
R365			RK73HB1J101J	CHIP R 100 J 1/16W		R525			RK73GH2A131D	CHIP R 130 D 1/10W	
R366			RK73HB1J000J	CHIP R 0.0 J 1/16W		R527			RK73HB1J473J	CHIP R 47K J 1/16W	
R368,369			RK73HB1J330J	CHIP R 33 J 1/16W		R528			RK73GH2A131D	CHIP R 130 D 1/10W	
R370			RK73HB1J101J	CHIP R 100 J 1/16W		R530-532			RK73FB2B100J	CHIP R 10 J 1/8W	
R371			RK73HB1J472J	CHIP R 4.7K J 1/16W		R533			RK73HB1J000J	CHIP R 0.0 J 1/16W	
R372,373			RK73HB1J330J	CHIP R 33 J 1/16W		R534,535			RK73GB2A103J	CHIP R 10K J 1/10W	
R374			RK73HB1J101J	CHIP R 100 J 1/16W		R538			RK73HB1J221J	CHIP R 220 J 1/16W	
R375,376			RK73HB1J472J	CHIP R 4.7K J 1/16W		R539-542			RK73FB2B101J	CHIP R 100 J 1/8W	
R377			RK73HB1J101J	CHIP R 100 J 1/16W		R543,544			RK73FB2B100J	CHIP R 10 J 1/8W	
R378			RK73HB1J000J	CHIP R 0.0 J 1/16W		R545			RK73FB2B101J	CHIP R 100 J 1/8W	
R379			RK73HB1J101J	CHIP R 100 J 1/16W		R546			RK73GB2A392J	CHIP R 3.9K J 1/10W	
R380			RK73HB1J470J	CHIP R 47 J 1/16W		R547			RK73FB2B100J	CHIP R 10 J 1/8W	
R381,382			RK73HB1J560J	CHIP R 56 J 1/16W		R548,549			RK73GB2A103J	CHIP R 10K J 1/10W	
R383-386			RK73HB1J101J	CHIP R 100 J 1/16W		R550,551			RK73GB2A102J	CHIP R 1.0K J 1/10W	
R388			RK73HB1J101J	CHIP R 100 J 1/16W		R552,553			RK73FB2B100J	CHIP R 10 J 1/8W	
R389			RK73GB2A101J	CHIP R 100 J 1/10W		R555			RK73GB2A000J	CHIP R 0.0 J 1/10W	
R390,391			RK73HB1J103J	CHIP R 10K J 1/16W		R574			RK73GB2A750J	CHIP R 75 J 1/10W	
R392			RK73HH1J103D	CHIP R 10K D 1/16W		R576			RK73FB2B101J	CHIP R 100 J 1/8W	
R397,398			RK73HB1J103J	CHIP R 10K J 1/16W		R577			RK73GB2A100J	CHIP R 10 J 1/10W	
R399			RK73HB1J100J	CHIP R 10 J 1/16W		R578,579			RK73HB1J303J	CHIP R 30K J 1/16W	
R401			RK73HB1J101J	CHIP R 100 J 1/16W		R580			RK73HB1J272J	CHIP R 2.7K J 1/16W	
R402			RK73EB2E392J	CHIP R 3.9K J 1/4W		R582			RK73HB1J000J	CHIP R 0.0 J 1/16W	
R403			RK73HB1J000J	CHIP R 0.0 J 1/16W		R592			RK73FB2B100J	CHIP R 10 J 1/8W	
R406			RK73HB1J000J	CHIP R 0.0 J 1/16W		R598			RK73FB2B101J	CHIP R 100 J 1/8W	
R407			RK73EB2E102J	CHIP R 1.0K J 1/4W		R600			RK73GB2A000J	CHIP R 0.0 J 1/10W	
R408			RK73HB1J103J	CHIP R 10K J 1/16W		R601			RK73HB1J473J	CHIP R 47K J 1/16W	
R418			RK73HH1J131D	CHIP R 130 D 1/16W		R602			RK73GH2A131D	CHIP R 130 D 1/10W	
R419			RK73HH1J161D	CHIP R 160 D 1/16W		R613			RK73GB2A000J	CHIP R 0.0 J 1/10W	
R420			RK73HH1J430D	CHIP R 43 D 1/16W		R618			RK73GB2A000J	CHIP R 0.0 J 1/10W	
R421			RK73HH1J390D	CHIP R 39 D 1/16W		R621			RK73GB2A000J	CHIP R 0.0 J 1/10W	
R422			RK73HH1J101D	CHIP R 100 D 1/16W		S501			T99-0484-05	ROTARY ENCODER	
R423			RK73HH1J161D	CHIP R 160 D 1/16W		D101,102			CVL10C270M300	VARIATOR	
R424			RK73HH1J101D	CHIP R 100 D 1/16W		D111,112			EC31QS04AG	DIODE	
R425			RK73HH1J390D	CHIP R 39 D 1/16W		D113,114			1SS357-F	DIODE	
R426			RK73HH1J430D	CHIP R 43 D 1/16W		D115			EC31QS04AG	DIODE	
R427			RK73HH1J161D	CHIP R 160 D 1/16W		D116			RKZ5.6KG(B2)	ZENER DIODE	
R428		*	RK73HH1J020D	CHIP R 62 D 1/16W		D117			HSU119TRF-E	DIODE	
R429			RK73GB2A000J	CHIP R 0.0 J 1/10W		D201-203			EP05Q04	DIODE	
R451-457			RK73HB1J000J	CHIP R 0.0 J 1/16W		D204			EP05Q06	DIODE	
R458,459			RK73HB1J820J	CHIP R 82 J 1/16W		D501-504			CVS10A120M	VARIATOR	
R460			RK73HB1J472J	CHIP R 4.7K J 1/16W		D505		*	MC2850-T111	DIODE	
R461			RK73HB1J000J	CHIP R 0.0 J 1/16W		D511,512			CVS10A120M	VARIATOR	
R462			RK73HB1J472J	CHIP R 4.7K J 1/16W		D513			CVS10A180M	VARIATOR	
R472			RK73HH1J752D	CHIP R 7.5K D 1/16W		D514,515			CVS10A120M	VARIATOR	
R473			RK73HH1J123D	CHIP R 12K D 1/16W		D516			CVS10A180M	VARIATOR	
R474			RK73HH1J472D	CHIP R 4.7K D 1/16W		D517			CVS10A120M	VARIATOR	
R475			RK73HB1J000J	CHIP R 0.0 J 1/16W		D518-520			CVS10A180M	VARIATOR	
R476			RK73HH1J103D	CHIP R 10K D 1/16W		D521-523			CVS10A120M	VARIATOR	
R501-504			RK73GB2A100J	CHIP R 10 J 1/10W		D525		*	MC2850-T111	DIODE	
R505-508			RK73HB1J000J	CHIP R 0.0 J 1/16W							

E1: DNX5260BT E2: DDX5026 (Europe) Q1: DDX5056 (Russian)
 K: DNX6960 K1: DNX6160 K2: DNX6020EX K3: DNX5160 K4: DDX616 K5: DDX516 (North America)
 X1: DNX5360 X2: DDX5036 (Australia) R1: DNX6460BT R2: DDX6046BT (Latin America)
 M1: DNX5360 M2: DNX5360M M3: DDX5036 M4: DDX5036M (Other Areas)

△ Indicates safety critical components.

PARTS LIST

The IC101 and IC102 in the Video unit (X35-5060-10) are not replaceable components. When these ICs are defective, replace the whole Video unit (X35-5060-10).

VIDEO UNIT (X35-5060-10)

Ref. No.	A d	N e w	Parts No.	Description	Desti- nation
D553			CVS10A180M	VARIATOR	
IC101		*	-	ANALOGUE IC	
IC102		*	-	ANALOGUE IC	
IC103			TC7SET125FU-F	MOS-IC	
IC104			BA00DD0WHFP	ANALOGUE IC	
IC105			XC6219B332PR	ANALOGUE IC	
IC106			XC6219B182PR	ANALOGUE IC	
IC201			LT1947-PBF	ANALOGUE IC	
IC301		*	MST7703-A-LF	MOS-IC	
IC302		*	AT25DF161	ROM IC	
IC401		*	M12L641645TR	DRAM IC	
IC402			NJM2107F-ZB	ANALOGUE IC	
Q102			2SC4081	TRANSISTOR	
Q103,104		*	RT1N144U-T111	TRANSISTOR	
Q202		*	RT1N144U-T111	TRANSISTOR	
Q203			RT1P144U-T111	TRANSISTOR	
Q204			2SA1577	TRANSISTOR	
Q205			2SC4081	TRANSISTOR	
Q206			2SA1576A	TRANSISTOR	
Q207			2SC4081	TRANSISTOR	
Q208		*	RT1N144U-T111	TRANSISTOR	
Q209			RT1P144U-T111	TRANSISTOR	
Q210		*	RT1N144U-T111	TRANSISTOR	
Q211			2SC4081	TRANSISTOR	
Q212			2SC4097	TRANSISTOR	
Q213			2SC4081	TRANSISTOR	
Q214			2SA1576A	TRANSISTOR	
Q231		*	RT1N144U-T111	TRANSISTOR	
Q232			RT1P144U-T111	TRANSISTOR	
Q233			2SA1576A	TRANSISTOR	
Q234			2SA1577	TRANSISTOR	
Q301		*	RT1N144U-T111	TRANSISTOR	
Q302			2SC4081	TRANSISTOR	
Q501,502		*	RT1N436U-T111	TRANSISTOR	
Q503		*	RT1N144U-T111	TRANSISTOR	
Q504		*	RT1P436U-T111	TRANSISTOR	
Q505		*	RT1N144U-T111	TRANSISTOR	
Q506		*	RT1P436U-T111	TRANSISTOR	
Q511-515			2SC4081	TRANSISTOR	
Q521			2SC4081	TRANSISTOR	
DVD UNIT (X37-1250-01)					
C3			CK73HB1A104K	CHIP C 0.10UF K	
C4			CC73HCH1H471J	CHIP C 470PF J	
C5 -7			CK73HB1E103K	CHIP C 0.010UF K	
C8			CC73HCH1H471J	CHIP C 470PF J	
C9			CK73HB0J105K	CHIP C 1.0UF K	
C11 ,12			CK73HB1E103K	CHIP C 0.010UF K	
C13			CK73HB1H472K	CHIP C 4700PF K	
C14			CK73FB0J106K	CHIP C 10UF K	
C15			CK73HB1A104K	CHIP C 0.10UF K	
C16			CK73FB0J106K	CHIP C 10UF K	
C17			CK73GB0J475K	CHIP C 4.7UF K	
C18			CK73FB0J226M	CHIP C 22UF M	
C21			CK73FB0J106K	CHIP C 10UF K	
C22 ,23			CK73GB0J475K	CHIP C 4.7UF K	

Ref. No.	A d	N e w	Parts No.	Description	Desti- nation
C50			CK73HB1E103K	CHIP C 0.010UF K	
C51			CK73HB1A104K	CHIP C 0.10UF K	
C52			CK73HB1E223K	CHIP C 0.022UF K	
C53			CC73HCH1H470J	CHIP C 47PF J	
C54			CC73HCH1H102J	CHIP C 1000PF J	
C55			CC73HCH1H100D	CHIP C 10PF D	
C56			CC73HCH1H102J	CHIP C 1000PF J	
C57			CC73HCH1E681J	CHIP C 680PF J	
C58			CK73HB1H682K	CHIP C 6800PF K	
C60 ,61			CK73HB1A104K	CHIP C 0.10UF K	
C62			CC73HCH1H102J	CHIP C 1000PF J	
C63			CC73HCH1H331J	CHIP C 330PF J	
C64			CK73HB1H222K	CHIP C 2200PF K	
C65			CC73HCH1E681J	CHIP C 680PF J	
C66			CK73HB1H152K	CHIP C 1500PF K	
C67 ,68			CC73HCH1H102J	CHIP C 1000PF J	
C69 -72			CC73HCH1H151J	CHIP C 150PF J	
C73 -82			CK73HB1A104K	CHIP C 0.10UF K	
C84			CK73HB0J105K	CHIP C 1.0UF K	
C85			CK73HB1A104K	CHIP C 0.10UF K	
C90			CK73HB1E103K	CHIP C 0.010UF K	
C93 -95			CK73HB1A104K	CHIP C 0.10UF K	
C97			CK73HB1A104K	CHIP C 0.10UF K	
C99			CK73HB1A104K	CHIP C 0.10UF K	
C100			CK73FB0J226M	CHIP C 22UF M	
C101			CK73GB0J475K	CHIP C 4.7UF K	
C103			CK73FB0J226M	CHIP C 22UF M	
C104			CK73GB0J475K	CHIP C 4.7UF K	
C120,121			CK73HB1E223K	CHIP C 0.022UF K	
C143,144			CC73HCH1H100D	CHIP C 10PF D	
C202			CK73FB0J226M	CHIP C 22UF M	
C207,208			CK73HB1A104K	CHIP C 0.10UF K	
C210			CK73HB1A104K	CHIP C 0.10UF K	
C212			CK73HB1A104K	CHIP C 0.10UF K	
C213			CK73HB1H332K	CHIP C 3300PF K	
C214,215			CK73HB1A104K	CHIP C 0.10UF K	
C216			CC73HCH1H471J	CHIP C 470PF J	
C217			CK73HB1A104K	CHIP C 0.10UF K	
C218			CK73HB1C473K	CHIP C 0.047UF K	
C219-222			CK73HB1A104K	CHIP C 0.10UF K	
C223			CK73HB0J105K	CHIP C 1.0UF K	
C224			CK73HB1A104K	CHIP C 0.10UF K	
C225			CK73GB0J475K	CHIP C 4.7UF K	
C227			CK73FB0J226M	CHIP C 22UF M	
C434			CK73FB0J106K	CHIP C 10UF K	
C435			CK73HB1E103K	CHIP C 0.010UF K	
C436,437			CK73HB1A104K	CHIP C 0.10UF K	
C440-442			CK73FB0J226M	CHIP C 22UF M	
C446			CC73HCH1H101J	CHIP C 100PF J	
C447,448			CC73HCH1H102J	CHIP C 1000PF J	
C449,450			CK73HB1H472K	CHIP C 4700PF K	
C451			CC73HCH1H102J	CHIP C 1000PF J	
C452-454			CK73HB0J105K	CHIP C 1.0UF K	
C455			CK73FB0J226M	CHIP C 22UF M	
C456			CC73HCH1H150J	CHIP C 15PF J	

PARTS LIST

The IC3, and IC11 in the DVD unit (X37-1250-01) are not replaceable components. When these ICs are defective, replace the whole DVD mechanism assembly (X92-6540-00).

DVD UNIT (X37-1250-01)

Ref. No.	Add New	Parts No.	Description	Destination
CN1		E41-2594-05	FLAT CABLE CONNECTOR	
CN2		E41-2114-15	FLAT CABLE CONNECTOR	
CN3		E41-2596-05	FLAT CABLE CONNECTOR	
L5		L92-0365-05	CHIP FERRITE	
X2		L77-3803-05	CRYSTAL RESONATOR (16.897849MHZ)	
CP2 -4		RK74HB1J103J	CHIP-COM 10K J 1/16W	
CP5 -9		RK74HB1J330J	CHIP-COM 33 J 1/16W	
CP10		RK74HB1J820J	CHIP-COM 82 J 1/16W	
CP11		RK74HB1J103J	CHIP-COM 10K J 1/16W	
R3 ,4		RK73HB1J103J	CHIP R 10K J 1/16W	
R5 ,6		RK73HH1J123D	CHIP R 12K D 1/16W	
R7		RK73HH1J333D	CHIP R 33K D 1/16W	
R8 ,9		RK73HB1J103J	CHIP R 10K J 1/16W	
R10		RK73HB1J163J	CHIP R 16K J 1/16W	
R11		RK73HB1J102J	CHIP R 1.0K J 1/16W	
R13		RK73HB1J103J	CHIP R 10K J 1/16W	
R16		RK73HB1J103J	CHIP R 10K J 1/16W	
R17		RK73HB1J271J	CHIP R 270 J 1/16W	
R19		RK73HB1J301J	CHIP R 300 J 1/16W	
R21 ,22		RK73HH1J103D	CHIP R 10K D 1/16W	
R31		RK73HB1J102J	CHIP R 1.0K J 1/16W	
R50 ,51		RK73HB1J510J	CHIP R 51 J 1/16W	
R52		RK73HH1J153D	CHIP R 15K D 1/16W	
R53		RK73HB1J105J	CHIP R 1.0M J 1/16W	
R54		RK73HB1J472J	CHIP R 4.7K J 1/16W	
R55		RK73HB1J103J	CHIP R 10K J 1/16W	
R56		RK73HH1J472D	CHIP R 4.7K D 1/16W	
R57 ,58		RK73HB1J202J	CHIP R 2.0K J 1/16W	
R59 ,60		RK73HB1J103J	CHIP R 10K J 1/16W	
R63		RK73HB1J103J	CHIP R 10K J 1/16W	
R64 ,65		RK73HB1J472J	CHIP R 4.7K J 1/16W	
R81		RK73HB1J102J	CHIP R 1.0K J 1/16W	
R83 ,84		RK73HB1J473J	CHIP R 47K J 1/16W	
R85		RK73HB1J223J	CHIP R 22K J 1/16W	
R86		RK73HB1J103J	CHIP R 10K J 1/16W	
R87		RK73HB1J105J	CHIP R 1.0M J 1/16W	
R88		RK73HB1J222J	CHIP R 2.2K J 1/16W	
R89 ,90		RK73HB1J123J	CHIP R 12K J 1/16W	
R91		RK73HB1J472J	CHIP R 4.7K J 1/16W	
R92		RK73HB1J273J	CHIP R 27K J 1/16W	
R96		RK73HB1J103J	CHIP R 10K J 1/16W	
R98		RK73HB1J202J	CHIP R 2.0K J 1/16W	
R101		RK73HH1J273D	CHIP R 27K D 1/16W	
R105		RK73HB1J103J	CHIP R 10K J 1/16W	
R120		RK73HB1J103J	CHIP R 10K J 1/16W	
R121		RK73HB1J820J	CHIP R 82 J 1/16W	
R122		RK73HB1J103J	CHIP R 10K J 1/16W	
R123		RK73HB1J330J	CHIP R 33 J 1/16W	
R124-126		RK73HB1J820J	CHIP R 82 J 1/16W	
R150,151		RK73HB1J102J	CHIP R 1.0K J 1/16W	
R152,153		RK73HB1J104J	CHIP R 100K J 1/16W	
R154,155		RK73HB1J103J	CHIP R 10K J 1/16W	
R158,159		RK73HB1J1R0J	CHIP R 1.0 J 1/16W	
R160		R92-3350-05	CHIP R 2.2 F 1/10W	

Ref. No.	Add New	Parts No.	Description	Destination
R162,163		RK73HB1J104J	CHIP R 100K J 1/16W	
R164,165		RK73HH1J101D	CHIP R 100 D 1/16W	
R167		RK73HH1J113D	CHIP R 11K D 1/16W	
R168		RK73HH1J273D	CHIP R 27K D 1/16W	
R169		RK73HB1J125J	CHIP R 1.2M J 1/16W	
R255		R92-5112-05	CHIP R 4.7 F 1/10W	
R256		RK73HH1J111D	CHIP R 110 D 1/16W	
R257		RK73HH1J202D	CHIP R 2.0K D 1/16W	
R260		RK73HH1J132D	CHIP R 1.3K D 1/16W	
R261		RK73HH1J203D	CHIP R 20K D 1/16W	
R262		RK73HB1J821J	CHIP R 820 J 1/16W	
R263		RK73HB1J242J	CHIP R 2.4K J 1/16W	
R272		RK73HH1J682D	CHIP R 6.8K D 1/16W	
R273		RK73HH1J122D	CHIP R 1.2K D 1/16W	
R274		RK73HH1J682D	CHIP R 6.8K D 1/16W	
R275		RK73HH1J122D	CHIP R 1.2K D 1/16W	
R278		R92-5112-05	CHIP R 4.7 F 1/10W	
R279		RK73HH1J102D	CHIP R 1.0K D 1/16W	
R284		RK73HB1J470J	CHIP R 47 J 1/16W	
R288		R92-3416-05	CHIP METAL-R 0.27 1/2W	
R298,299		RK73HB1J330J	CHIP R 33 J 1/16W	
R300		RK73HB1J103J	CHIP R 10K J 1/16W	
R301,302		RK73HB1J000J	CHIP R 0.0 J 1/16W	
S1		S68-0911-15	PUSH SWITCH	
S2		S68-0917-05	PUSH SWITCH	
D5 ,6		015AZ5.1-F(Y)	ZENER DIODE	
D8		1SS387-F	DIODE	
IC1		AN22022ABV	ANALOGUE IC	
IC3		-	ROM IC	
IC4		MN103S71F	MOS-IC	
IC5		S1000N284T1G	ANALOGUE IC	
IC10		AN41250A-VB	ANALOGUE IC	
IC11		-	ROM IC	
IC13		NJM2845DL115B	ANALOGUE IC	
IC14		NJM2845DL133B	ANALOGUE IC	
IC15		NJU7042	ANALOGUE IC	
Q1 ,2		DTA143XE	DIGITAL TRANSISTOR	
Q4		DTA143XE	DIGITAL TRANSISTOR	
Q5 ,6		2SK3019	FET	
Q12 ,13		2SB1709	TRANSISTOR	
Q14		SSM3J15FU-F	FET	

DVD MECHANISM ASSY (X92-6540-00) (DVS-8230W)

1	1A	A10-5523-11+	CHASSIS
2	2B	A10-5524-01+	CHASSIS
3	1A	A10-5535-01	CHASSIS
4	3A	A10-5534-12	CHASSIS
7	1B	D10-7080-02+	ARM
8	1B	D10-7081-02+	ARM
9	1B	D10-7082-02+	LEVER
10	1B	D10-7083-02+	LEVER
12	2B	D10-7084-02+	SLIDER
13	2A	D10-7085-02+	ARM
14	2B	D10-7086-03+	ARM

E1: DNX5260BT E2: DDX5026 (Europe) Q1: DDX5056 (Russian)
 K: DNX6960 K1: DNX6160 K2: DNX6020EX K3: DNX5160 K4: DDX616 K5: DDX516 (North America)
 X1: DNX5360 X2: DDX5036 (Australia) R1: DNX6460BT R2: DDX6046BT (Latin America)
 M1: DNX5360 M2: DNX5360M M3: DDX5036 M4: DDX5036M (Other Areas)

△ Indicates safety critical components.

PARTS LIST

DVD MECHANISM ASSY (X92-6540-00) (DVS-8230W)

Ref. No.	A d d	N e w	Parts No.	Description	Desti- nation	Ref. No.	A d d	N e w	Parts No.	Description	Desti- nation
15	2B		D10-7087-02+	ARM							
25	2B		D10-7092-04+	SLIDER ASSY							
27	2A		D10-7091-04+	LEVER							
28	2B		D12-0640-02+	CAM							
31	2B		D13-3029-04+	GEAR							
32	2B		D13-3030-04+	GEAR							
33	2B		D13-3031-04+	GEAR							
34	2B		D13-3032-04+	GEAR							
35	2B		D13-3033-04+	GEAR							
36	2B		D13-3034-04+	GEAR							
40	2A		D13-3038-04+	GEAR							
41	2A		D13-3039-04+	GEAR							
42	2A		D13-3040-04+	GEAR							
43	1B		D14-1034-04+	ROLLER							
53	1B		D21-2487-24+	SHAFT							
54	2A		D39-0275-05	DAMPER							
55	2A		D39-0276-05	DAMPER							
60	3A		F09-3019-03	SHEET							
65	2B		G01-4734-04	EXTENSION SPRING							
66	1B		G01-4735-14	EXTENSION SPRING							
67	2A		G01-3300-14+	TORSION COIL SPRING							
68	2B		G01-4737-14	EXTENSION SPRING							
69	1B		G01-4602-14+	EXTENSION SPRING							
70	1B		G01-4740-04	TORSION COIL SPRING							
74	2B		G01-4609-24+	TORSION COIL SPRING							
75	1B		G02-1904-03+	FLAT SPRING							
79	2A		J22-0898-01	MOUNTING HARDWARE							
80	3B		J22-0891-11+	MOUNTING HARDWARE							
A	1A		N09-6815-05	MACHINE SCREW (M1.7X2.0)							
B	3B		N09-6408-15	TAPTITE SCREW (1.7X4.0 P-T)							
C	1B		N09-6426-15	MACHINE SCREW (LOAD ARM SCREW)							
D	3A		N09-6104-05	MACHINE SCREW (2X10 S-TITE)							
93	2A		T99-0471-05	MAGNET							
96	1B		X94-2080-00	ROLLER ASSY							
98	2A	*	X94-2120-00	TRAVERSE ASSY (PICKUP, SPINDLE)							
VM1	2A		X94-2070-00	MOTOR ASSY (LOADING)							

E1: DNX5260BT **E2:** DDX5026 (Europe) **Q1:** DDX5056 (Russian) △ Indicates safety critical components.
K: DNX6960 **K1:** DNX6160 **K2:** DNX6020EX **K3:** DNX5160 **K4:** DDX616 **K5:** DDX516 (North America)
88 X1: DNX5360 **X2:** DDX5036 (Australia) **R1:** DNX6460BT **R2:** DDX6046BT (Latin America)
M1: DNX5360 **M2:** DNX5360M **M3:** DDX5036 **M4:** DDX5036M (Other Areas)