

EXPLODED VIEWS AND PARTS LIST

PACKING (Page 63)

PACKING SECTION PARTS LIST

*: Non spare part

Mark	No.	Description	AVH-2300NEX/ XNUC	AVH-2400NEX/ XNUC	AVH-Z5100BT/ XNUR	AVH-Z5150BT/ XNRC
	1	Cord Assy	CDP1665	CDP1665	CDP1670	CDP1665
	4	Screw	CBA2383	CBA2383	CBA2383	Not used
	6	Cover	CEG1359	CEG1359	CEG1356	CEG1356
	7	Unit Box	CHG9384	QHG4273	QHG4277	QHG4278
	8	Contain Box	CHL9384	QHL4273	QHL4277	QHL4278
	9	Protector	CHP4863	CHP4863	CHP4864	CHP4863
	13	Card Remote Control Unit	Not used	Not used	Not used	CXE5116
	14	Handle	Not used	Not used	CND6289	Not used
	15	Cord Assy	Not used	Not used	Not used	CDP1805
	16	Panel	Not used	Not used	Not used	CNS9475
	18-1	Owner's Manual	See Contents of Web IM (3)	See Contents of Web IM (3)	QRB3740	QRD3573
*	18-2	Warranty Card	QRY3001	QRY3001	CRY1376	Not used
	18-5	Quick Start Guide	CRD4994	QRD3558	Not used	Not used
	18-6	Installation Manual	CRD4995	QRD3569	Not used	Not used

Mark	No.	Description	AVH-2300NEX/ XNUC	AVH-Z5150BT/ XNRD	AVH-Z5150BT/ XNRI	AVH-Z5190BT/ XNID
	1	Cord Assy	CDP1665	CDP1665	CDP1665	CDP1665
	4	Screw	CBA2383	Not used	Not used	Not used
	6	Cover	CEG1359	CEG1356	CEG1356	CEG1356
	7	Unit Box	CHG9384	QHG4274	QHG4275	QHG4276
	8	Contain Box	CHL9384	QHL4274	QHL4275	QHL4276
	9	Protector	CHP4863	CHP4863	CHP4864	CHP4863
	13	Card Remote Control Unit	Not used	CXE5116	CXE5116	CXE5116
	14	Handle	Not used	Not used	CND6289	Not used
	15	Cord Assy	Not used	Not used	CDP1805	Not used
	16	Panel	Not used	CNS9475	CNS9475	CNS9475
	18-1	Owner's Manual	See Contents of Web IM (3)	QRD3571	QRD3572	QRB3739
*	18-2	Warranty Card	QRY3001	Not used	Not used	CRY1304
	18-5	Quick Start Guide	CRD4994	Not used	Not used	Not used
	18-6	Installation Manual	CRD4995	Not used	Not used	Not used

5 6 7 8

EXTERIOR (1) (Page 65)

EXTERIOR (1) SECTION PARTS LIST

Mark	No.	Description	AVH-2300NEX/ XNUC	AVH-2400NEX/ XNUC	AVH-Z5100BT/ XNUR	AVH-Z5150BT/ XNRC
	6	Holder	CND7759	CND7759	CND7758	CND7758
	9	Panel	CNU3751	CNU3751	CNU3746	CNU3746
	13	Holder	Not used	Not used	CND7102	Not used
	14	Panel	Not used	Not used	CNU2645	Not used

Mark	No.	Description	AVH-2300NEX/ XNUC	AVH-Z5150BT/ XNRD	AVH-Z5150BT/ XNRI	AVH-Z5190BT/ XNID
	6	Holder	CND7759	CND7758	CND7758	CND7759
	9	Panel	CNU3751	CNU3746	CNU3746	CNU3746
	13	Holder	Not used	Not used	CND7102	Not used
	14	Panel	Not used	Not used	CNU2645	Not used

EXTERIOR (2) (Page 67)

EXTERIOR (2) SECTION PARTS LIST

Mark	No.	Description	AVH-2300NEX/ XNUC	AVH-2400NEX/ XNUC	AVH-Z5100BT/ XNUR	AVH-Z5150BT/ XNRC
	1	Cord Assy	CDP1665	CDP1665	CDP1670	CDP1665
	3	Card Remote Control Unit	Not used	Not used	Not used	CXE5116
	4	Battery Cover	Not used	Not used	Not used	CNU1624
	17	Grille Assy	CXF1007	QXA5381	QXA5382	QXA5383
*	21	Grille	CNU3934	QNS4254	QNS4255	QNS4256
	25	Cushion	CNN5457	CNN5457	Not used	CNN5457
	26	Service Unit (Monitor)	CXX9530	QXX3244	QXX3244	QXX3244
	27	Service Unit (Keyboard)	CXX9536	QWM4905 (Keyboard Unit)	QWM4905 (Keyboard Unit)	QWM4905 (Keyboard Unit)

Mark	No.	Description	AVH-2300NEX/ XNUC	AVH-Z5150BT/ XNRD	AVH-Z5150BT/ XNRI	AVH-Z5190BT/ XNID
	1	Cord Assy	CDP1665	CDP1665	CDP1665	CDP1665
	3	Card Remote Control Unit	Not used	CXE5116	CXE5116	CXE5116
	4	Battery Cover	Not used	CNU1624	CNU1624	CNU1624
	17	Grille Assy	CXF1007	QXA5383	QXA5383	QXA5384
*	21	Grille	CNU3934	QNS4256	QNS4256	QNS4257
	25	Cushion	CNN5457	Not used	Not used	Not used
	26	Service Unit (Monitor)	CXX9530	QXX3244	QXX3244	QXX3244
	27	Service Unit (Keyboard)	CXX9536	QWM4905 (Keyboard Unit)	QWM4905 (Keyboard Unit)	QWM4905 (Keyboard Unit)

1 2 3 4

EXTERIOR (3) (Page 69)

EXTERIOR (3) SECTION PARTS LIST

Mark	No.	Description	AVH-2300NEX/ XNUC	AVH-2400NEX/ XNUC	AVH-Z5100BT/ XNUR	AVH-Z5150BT/ XNRC
	27	FFC	CDD1220	CDD1220	CDD1219	CDD1219
	28	Holder	CND7750	CND7750	CND7748	CND7748
	33	Service Unit (Mother I/F)	CXX9511	QXX3210	QXX3211	QXX3212
	36	Holder	CND7760	CND7760	Not used	Not used
	37	Service Unit (I-Data)	CXX9538	QXX3249	Not used	Not used
	38	Screw	BSZ26P060FTC	BSZ26P060FTC	Not used	Not used
	39	FFC	CDD1222	CDD1222	Not used	Not used

Mark	No.	Description	AVH-2300NEX/ XNUC	AVH-Z5150BT/ XNRD	AVH-Z5150BT/ XNRI	AVH-Z5190BT/ XNID
	27	FFC	CDD1220	CDD1219	CDD1219	CDD1219
	28	Holder	CND7750	CND7748	CND7748	CND7748
	33	Service Unit (Mother I/F)	CXX9511	QXX3213	QXX3214	QXX3215
	36	Holder	CND7760	Not used	Not used	Not used
	37	Service Unit (I-Data)	CXX9538	Not used	Not used	Not used
	38	Screw	BSZ26P060FTC	Not used	Not used	Not used
	39	FFC	CDD1222	Not used	Not used	Not used

DVD MECHANISM MODULE (1) (Page 71)

DVD MECHANISM MODULE (1) SECTION PARTS LIST

Mark	No.	Description	AVH-2300NEX/ XNUC	AVH-2400NEX/ XNUC	AVH-Z5100BT/ XNUR	AVH-Z5150BT/ XNRC
	10	Spring	CBH3145	CBH3015	CBH3015	CBH3015

Mark	No.	Description	AVH-2300NEX/ XNUC	AVH-Z5150BT/ XNRD	AVH-Z5150BT/ XNRI	AVH-Z5190BT/ XNID
	10	Spring	CBH3145	CBH3015	CBH3015	CBH3015

ELECTRICAL PARTS LIST (Page 121)

SERVICE UNIT (MOTHER I/F)

Circuit Symbol and No.	Part Name	AVH-2300NEX/ XNUC	AVH-2400NEX/ XNUC	AVH-Z5100BT/ XNUR	AVH-Z5150BT/ XNRC
IC1301	Flash ROM Unit	CVQ1089	CVQ1144	CVQ1145	CVQ1145
IC1321	Flash Memory IC	W25Q64FVSSIG	W25Q64FVSSIG	W25Q16DVSSIG	W25Q16DVSSIG
IC4131	Buffer Logic IC	TC7SH126FUS1	TC7SH126FUS1	Not used	Not used
IC4132	AND Logic IC	MC74VHC1GT08DFG	MC74VHC1GT08DFG	Not used	Not used
IC4171	AND Logic IC	MC74VHC1GT08DFG	MC74VHC1GT08DFG	Not used	Not used
IC4172	AND Logic IC	MC74VHC1GT08DFG	MC74VHC1GT08DFG	Not used	Not used
Q602	Resistor Built-IN TR	Not used	Not used	Not used	RN4982S1
Q603	Resistor Built-IN TR	Not used	Not used	Not used	RN4982S1
Q604	Resistor Built-IN TR	Not used	Not used	Not used	RN4982S1
Q605	Resistor Built-IN TR	Not used	Not used	Not used	RN4982S1
D4171	Rectifier Diode	DA2J101	DA2J101	Not used	Not used
L51	Choke Coil	CTH1479	Not used	Not used	CTH1479
⚠ P301	Poly Switch	FSMD110-24R	FSMD110-24R	FSMD020-R	FSMD020-R
CN2251	FFC/FPC Connector	Not used	Not used	CKS6710	CKS6710
CN2252	FFC/FPC Connector	CKS6703	CKS6703	Not used	Not used
CN4001	FFC/FPC Connector	Not used	Not used	CKS6645	CKS6645
CN4002	FFC/FPC Connector	CKS6646	CKS6646	Not used	Not used
CN4171	FFC/FPC Connector	CKS6634	CKS6634	Not used	Not used
JA4131	Connector	CKS6495	CKS6495	Not used	Not used
R51		Not used	RS1/4SA0R0J	RS1/4SA0R0J	Not used
R651		RS1/16SS102J	RS1/16SS102J	RS1/16SS102J	RS1/16SS1001D
R652		Not used	Not used	Not used	RS1/16SS6800D
R670		Not used	Not used	Not used	Not used
R671		Not used	Not used	RS1/16SS104J	RS1/16SS104J
R672		Not used	Not used	Not used	RS1/16SS104J
R673		Not used	Not used	RS1/16SS104J	Not used
R674		Not used	Not used	RS1/16SS104J	Not used
R675		Not used	Not used	Not used	RS1/16SS104J
R676		Not used	Not used	RS1/16SS104J	RS1/16SS104J
R706		Not used	Not used	Not used	RS1/16SS6800D
R709		Not used	Not used	Not used	RS1/16SS8201D
R710		Not used	Not used	Not used	RS1/16SS8201D
R711		RS1/16SS102J	RS1/16SS102J	RS1/16SS102J	RS1/16SS1001D
R807		RS1/16SS473J	RS1/16SS473J	Not used	Not used
R808		RS1/16SS0R0J	RS1/16SS0R0J	Not used	Not used

Circuit Symbol and No.	Part Name	AVH-2300NEX/ XNUC	AVH-2400NEX/ XNUC	AVH-Z5100BT/ XNUR	AVH-Z5150BT/ XNRC
A R809		RS1/16SS0R0J	RS1/16SS0R0J	Not used	Not used
R812		RS1/16SS0R0J	RS1/16SS0R0J	Not used	Not used
R815		RS1/16SS0R0J	RS1/16SS0R0J	Not used	Not used
R831		RS1/16SS0R0J	RS1/16SS0R0J	Not used	Not used
R836		RS1/16SS473J	RS1/16SS473J	Not used	Not used
R1523		Not used	Not used	RS1/16SS0R0J	RS1/16SS0R0J
R1524		Not used	Not used	RS1/16SS104J	RS1/16SS104J
R1527		RS1/16SS0R0J	RS1/16SS0R0J	Not used	Not used
R1528		RS1/16SS0R0J	RS1/16SS0R0J	Not used	Not used
B R1535		Not used	Not used	RS1/16SS0R0J	RS1/16SS0R0J
R1536		Not used	Not used	RS1/16SS0R0J	RS1/16SS0R0J
R1537		Not used	Not used	RS1/16SS0R0J	RS1/16SS0R0J
R1541		Not used	Not used	RS1/16SS0R0J	RS1/16SS0R0J
R2251		RS1/16SS0R0J	RS1/16SS0R0J	Not used	Not used
R2252		RS1/16SS0R0J	RS1/16SS0R0J	Not used	Not used
R2503		RS1/16SS684J	Not used	Not used	Not used
R2504		RS1/16SS1802D	RS1/16SS2002D	RS1/16SS2002D	RS1/16SS2002D
C R2509		Not used	RS1/16SS103J	RS1/16SS103J	RS1/16SS103J
R4040		RS1/16SS271J	RS1/16SS0R0J	RS1/16SS0R0J	RS1/16SS0R0J
R4142		RS1/16SS471J	RS1/16SS471J	Not used	Not used
R4143		RS1/16SS223J	RS1/16SS223J	Not used	Not used
R4144		RS1/16SS223J	RS1/16SS223J	Not used	Not used
R4145		RS1/16SS181J	RS1/16SS181J	Not used	Not used
R4146		RS1/16SS181J	RS1/16SS181J	Not used	Not used
R4147		RS1/10SR822J	RS1/10SR822J	Not used	Not used
D R4148		RS1/10SR471J	RS1/10SR471J	Not used	Not used
R4149		RS1/16SS104J	RS1/16SS104J	Not used	Not used
R4151		RS1/16SS471J	RS1/16SS471J	Not used	Not used
R4152		RS1/16SS0R0J	RS1/16SS0R0J	Not used	Not used
R4153		RS1/16SS0R0J	RS1/16SS0R0J	Not used	Not used
R4172		RS1/16SS101J	RS1/16SS101J	Not used	Not used
R4174		RS1/16SS103J	RS1/16SS103J	Not used	Not used
R4176		RS1/16SS104J	RS1/16SS104J	Not used	Not used
R4177		RS1/16SS0R0J	RS1/16SS0R0J	Not used	Not used
E R4178		RS1/16SS102J	RS1/16SS102J	Not used	Not used
R4179		RS1/16SS0R0J	RS1/16SS0R0J	Not used	Not used
R4180		RS1/16SS0R0J	RS1/16SS0R0J	Not used	Not used
C46		CKSRYB105K16	CKSRYX105K16	CKSRYX105K16	CKSRYX105K16
C50		CKSYX106K35	Not used	Not used	CKSYX106K35
C52		CKSYX106K35	Not used	Not used	CKSYX106K35

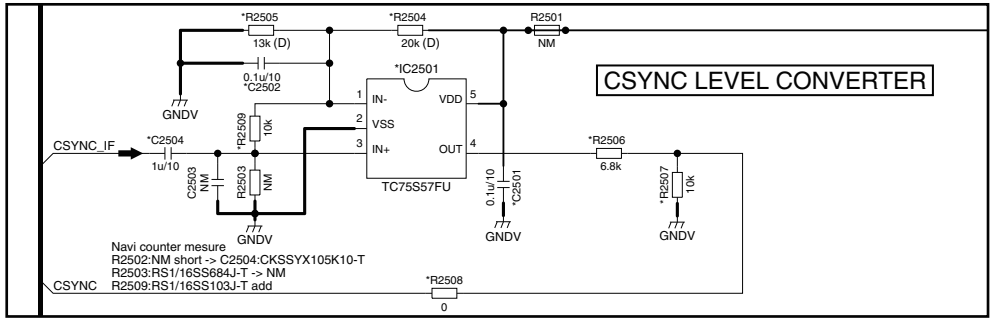
Circuit Symbol and No.	Part Name	AVH-2300NEX/ XNUC	AVH-2400NEX/ XNUC	AVH-Z5100BT/ XNUR	AVH-Z5150BT/ XNRC
C53		CKSSYB102K50	Not used	Not used	CKSSYB102K50
C231		CKSRYB105K16	CKSRYX105K16	CKSRYX105K16	CKSRYX105K16
C271		CKSRYB105K16	CKSRYX105K16	CKSRYX105K16	CKSRYX105K16
C272		CKSRYB105K16	CKSRYX105K16	CKSRYX105K16	CKSRYX105K16
C1506		Not used	Not used	CKSSYB104K10	CKSSYB104K10
C1518		Not used	Not used	CKSRYB105K10	CKSRYB105K10
C1520		Not used	Not used	CKSRYB105K10	CKSRYB105K10
C1522		Not used	Not used	CKSRYB105K10	CKSRYB105K10
C1531		Not used	Not used	CKSSYB104K10	CKSSYB104K10
C2358		Not used	CCSSCH101J50	CCSSCH101J50	CCSSCH101J50
C2504		Not used	CKSSYX105K10	CKSSYX105K10	CKSSYX105K10
C4135		CKSSYB104K10	CKSSYB104K10	Not used	Not used
C4136		CKSSYB104K10	CKSSYB104K10	Not used	Not used
C4137		CKSRYX104K50	CKSRYX104K50	Not used	Not used
C4172		CKSSYB104K10	CKSSYB104K10	Not used	Not used
C4174		CKSSYB104K10	CKSSYB104K10	Not used	Not used
C9002		CKSRYB105K10	CKSRYB105K10	Not used	Not used
C9003		CKSRYB105K10	CKSRYB105K10	Not used	Not used
C9018		CKSRYB105K10	CKSRYB105K10	Not used	Not used
C9019		CKSRYB105K10	CKSRYB105K10	Not used	Not used

Circuit Symbol and No.	Part Name	AVH-2300NEX/ XNUC	AVH-Z5150BT/ XNRD	AVH-Z5150BT/ XNRI	AVH-Z5190BT/ XNID
A IC1301	Flash ROM Unit	CVQ1089	CVQ1145	CVQ1145	CVQ1145
IC1321	Flash Memory IC	W25Q64FVSSIG	W25Q16DVSSIG	W25Q16DVSSIG	W25Q16DVSSIG
IC4131	Buffer Logic IC	TC7SH126FUS1	Not used	Not used	Not used
IC4132	And Logic IC	MC74VHC1GT08DFG	Not used	Not used	Not used
IC4171	And Logic IC	MC74VHC1GT08DFG	Not used	Not used	Not used
IC4172	And Logic IC	MC74VHC1GT08DFG	Not used	Not used	Not used
Q602	Resistor Built-IN TR	Not used	RN4982S1	RN4982S1	RN4982S1
Q603	Resistor Built-IN TR	Not used	RN4982S1	RN4982S1	RN4982S1
B Q604	Resistor Built-IN TR	Not used	RN4982S1	RN4982S1	RN4982S1
Q605	Resistor Built-IN TR	Not used	RN4982S1	RN4982S1	RN4982S1
D4171	Rectifier Diode	DA2J101	Not used	Not used	Not used
L51	Choke Coil	CTH1479	Not used	Not used	Not used
⚠ P301	Poly Switch	FSMD110-24R	FSMD020-R	FSMD020-R	FSMD020-R
CN2251	FFC/FPC Connector	Not used	CKS6710	CKS6710	CKS6710
C CN2252	FFC/FPC Connector	CKS6703	Not used	Not used	Not used
CN4001	FFC/FPC Connector	Not used	CKS6645	CKS6645	CKS6645
CN4002	FFC/FPC Connector	CKS6646	Not used	Not used	Not used
CN4171	FFC/FPC Connector	CKS6634	Not used	Not used	Not used
JA4131	Connector	CKS6495	Not used	Not used	Not used
D R51		Not used	RS1/4SA0R0J	RS1/4SA0R0J	RS1/4SA0R0J
R651		RS1/16SS102J	RS1/16SS1001D	RS1/16SS1001D	RS1/16SS1001D
R652		Not used	RS1/16SS6800D	RS1/16SS6800D	RS1/16SS6800D
R670		Not used	Not used	RS1/16SS104J	RS1/16SS104J
R671		Not used	RS1/16SS104J	Not used	Not used
R672		Not used	RS1/16SS104J	Not used	Not used
R673		Not used	Not used	RS1/16SS104J	RS1/16SS104J
R674		Not used	RS1/16SS104J	Not used	RS1/16SS104J
E R675		Not used	Not used	RS1/16SS104J	Not used
R676		Not used	RS1/16SS104J	RS1/16SS104J	RS1/16SS104J
R706		Not used	RS1/16SS6800D	RS1/16SS6800D	RS1/16SS6800D
R709		Not used	RS1/16SS8201D	RS1/16SS8201D	RS1/16SS8201D
R710		Not used	RS1/16SS8201D	RS1/16SS8201D	RS1/16SS8201D
R711		RS1/16SS102J	RS1/16SS1001D	RS1/16SS1001D	RS1/16SS1001D
R807		RS1/16SS473J	Not used	Not used	Not used
R808		RS1/16SS0R0J	Not used	Not used	Not used

Circuit Symbol and No.	Part Name	AVH-2300NEX/ XNUC	AVH-Z5150BT/ XNRD	AVH-Z5150BT/ XNRI	AVH-Z5190BT/ XNID
R809		RS1/16SS0R0J	Not used	Not used	Not used
R812		RS1/16SS0R0J	Not used	Not used	Not used
R815		RS1/16SS0R0J	Not used	Not used	Not used
R831		RS1/16SS0R0J	Not used	Not used	Not used
R836		RS1/16SS473J	Not used	Not used	Not used
R1523		Not used	RS1/16SS0R0J	RS1/16SS0R0J	Not used
R1524		Not used	RS1/16SS104J	RS1/16SS104J	Not used
R1527		RS1/16SS0R0J	Not used	Not used	RS1/16SS0R0J
R1528		RS1/16SS0R0J	Not used	Not used	RS1/16SS0R0J
R1535		Not used	RS1/16SS0R0J	RS1/16SS0R0J	Not used
R1536		Not used	RS1/16SS0R0J	RS1/16SS0R0J	Not used
R1537		Not used	RS1/16SS0R0J	RS1/16SS0R0J	Not used
R1541		Not used	RS1/16SS0R0J	RS1/16SS0R0J	Not used
R2251		RS1/16SS0R0J	Not used	Not used	Not used
R2252		RS1/16SS0R0J	Not used	Not used	Not used
R2503		RS1/16SS684J	Not used	Not used	Not used
R2504		RS1/16SS1802D	RS1/16SS2002D	RS1/16SS2002D	RS1/16SS2002D
R2509		Not used	RS1/16SS103J	RS1/16SS103J	RS1/16SS103J
R4040		RS1/16SS271J	RS1/16SS0R0J	RS1/16SS0R0J	RS1/16SS0R0J
R4142		RS1/16SS471J	Not used	Not used	Not used
R4143		RS1/16SS223J	Not used	Not used	Not used
R4144		RS1/16SS223J	Not used	Not used	Not used
R4145		RS1/16SS181J	Not used	Not used	Not used
R4146		RS1/16SS181J	Not used	Not used	Not used
R4147		RS1/10SR822J	Not used	Not used	Not used
R4148		RS1/10SR471J	Not used	Not used	Not used
R4149		RS1/16SS104J	Not used	Not used	Not used
R4151		RS1/16SS471J	Not used	Not used	Not used
R4152		RS1/16SS0R0J	Not used	Not used	Not used
R4153		RS1/16SS0R0J	Not used	Not used	Not used
R4172		RS1/16SS101J	Not used	Not used	Not used
R4174		RS1/16SS103J	Not used	Not used	Not used
R4176		RS1/16SS104J	Not used	Not used	Not used
R4177		RS1/16SS0R0J	Not used	Not used	Not used
R4178		RS1/16SS102J	Not used	Not used	Not used
R4179		RS1/16SS0R0J	Not used	Not used	Not used
R4180		RS1/16SS0R0J	Not used	Not used	Not used
C46		CKSRYB105K16	CKSRYX105K16	CKSRYX105K16	CKSRYX105K16
C50		CKSYX106K35	Not used	Not used	Not used
C52		CKSYX106K35	Not used	Not used	Not used
C53		CKSSYB102K50	Not used	Not used	Not used
C231		CKSRYB105K16	CKSRYX105K16	CKSRYX105K16	CKSRYX105K16
C271		CKSRYB105K16	CKSRYX105K16	CKSRYX105K16	CKSRYX105K16
C272		CKSRYB105K16	CKSRYX105K16	CKSRYX105K16	CKSRYX105K16
C1506		Not used	CKSSYB104K10	CKSSYB104K10	Not used

Circuit Symbol and No.	Part Name	AVH-2300NEX/ XNUC	AVH-Z5150BT/ XNRD	AVH-Z5150BT/ XNRI	AVH-Z5190BT/ XNID
C1518		Not used	CKSRYB105K10	CKSRYB105K10	Not used
C1520		Not used	CKSRYB105K10	CKSRYB105K10	Not used
C1522		Not used	CKSRYB105K10	CKSRYB105K10	Not used
C1531		Not used	CKSSYB104K10	CKSSYB104K10	Not used
C2358		Not used	CCSSCH101J50	CCSSCH101J50	CCSSCH101J50
C2504		Not used	CKSSYX105K10	CKSSYX105K10	CKSSYX105K10
C4135		CKSSYB104K10	Not used	Not used	Not used
C4136		CKSSYB104K10	Not used	Not used	Not used
C4137		CKSRYX104K50	Not used	Not used	Not used
C4172		CKSSYB104K10	Not used	Not used	Not used
C4174		CKSSYB104K10	Not used	Not used	Not used
C9002		CKSRYB105K10	Not used	Not used	Not used
C9003		CKSRYB105K10	Not used	Not used	Not used
C9018		CKSRYB105K10	Not used	Not used	Not used
C9019		CKSRYB105K10	Not used	Not used	Not used

Page 96 Address 3E



KEYBOARD UNIT

Circuit Symbol and No.	Part Name	AVH-2300NEX/ XNUC	AVH-2400NEX/ XNUC	AVH-Z5100BT/ XNUR	AVH-Z5150BT/ XNRC
R6001		RS1/16SS620J	XRS1/16SS620J	XRS1/16SS620J	XRS1/16SS620J
R6002		RS1/16SS390J	XRS1/16SS390J	XRS1/16SS390J	XRS1/16SS390J
R6003		RS1/16SS150J	XRS1/16SS150J	XRS1/16SS150J	XRS1/16SS150J
R6004		RS1/16SS620J	XRS1/16SS620J	XRS1/16SS620J	XRS1/16SS620J
R6005		RS1/16SS390J	XRS1/16SS390J	XRS1/16SS390J	XRS1/16SS390J
R6006		RS1/16SS150J	XRS1/16SS150J	XRS1/16SS150J	XRS1/16SS150J
R6007		RS1/16SS620J	XRS1/16SS620J	XRS1/16SS620J	XRS1/16SS620J
R6008		RS1/16SS390J	XRS1/16SS390J	XRS1/16SS390J	XRS1/16SS390J
R6009		RS1/16SS150J	XRS1/16SS150J	XRS1/16SS150J	XRS1/16SS150J
R6010		RS1/16SS620J	XRS1/16SS620J	XRS1/16SS620J	XRS1/16SS620J
R6011		RS1/16SS390J	XRS1/16SS390J	XRS1/16SS390J	XRS1/16SS390J
R6012		RS1/16SS150J	XRS1/16SS150J	XRS1/16SS150J	XRS1/16SS150J
R6013		RS1/16SS620J	XRS1/16SS620J	XRS1/16SS620J	XRS1/16SS620J
R6014		RS1/16SS390J	XRS1/16SS390J	XRS1/16SS390J	XRS1/16SS390J
R6015		RS1/16SS150J	XRS1/16SS150J	XRS1/16SS150J	XRS1/16SS150J
R6016		RS1/16SS470J	XRS1/16SS470J	XRS1/16SS470J	XRS1/16SS470J
R6017		RS1/16SS392J	XRS1/16SS392J	XRS1/16SS392J	XRS1/16SS392J
R6018		RS1/16SS472J	XRS1/16SS472J	XRS1/16SS472J	XRS1/16SS472J
R6019		RS1/16SS123J	XRS1/16SS123J	XRS1/16SS123J	XRS1/16SS123J
R6020		RS1/16SS182J	XRS1/16SS182J	XRS1/16SS182J	XRS1/16SS182J
R6021		RS1/16SS222J	XRS1/16SS222J	XRS1/16SS222J	XRS1/16SS222J
R6022		RS1/16SS472J	XRS1/16SS472J	XRS1/16SS472J	XRS1/16SS472J

Circuit Symbol and No.	Part Name	AVH-2300NEX/ XNUC	AVH-Z5150BT/ XNRD	AVH-Z5150BT/ XNRI	AVH-Z5190BT/ XNID
A R6001		RS1/16SS620J	XRS1/16SS620J	XRS1/16SS620J	XRS1/16SS620J
R6002		RS1/16SS390J	XRS1/16SS390J	XRS1/16SS390J	XRS1/16SS390J
R6003		RS1/16SS150J	XRS1/16SS150J	XRS1/16SS150J	XRS1/16SS150J
R6004		RS1/16SS620J	XRS1/16SS620J	XRS1/16SS620J	XRS1/16SS620J
R6005		RS1/16SS390J	XRS1/16SS390J	XRS1/16SS390J	XRS1/16SS390J
R6006		RS1/16SS150J	XRS1/16SS150J	XRS1/16SS150J	XRS1/16SS150J
R6007		RS1/16SS620J	XRS1/16SS620J	XRS1/16SS620J	XRS1/16SS620J
R6008		RS1/16SS390J	XRS1/16SS390J	XRS1/16SS390J	XRS1/16SS390J
R6009		RS1/16SS150J	XRS1/16SS150J	XRS1/16SS150J	XRS1/16SS150J
B R6010		RS1/16SS620J	XRS1/16SS620J	XRS1/16SS620J	XRS1/16SS620J
R6011		RS1/16SS390J	XRS1/16SS390J	XRS1/16SS390J	XRS1/16SS390J
R6012		RS1/16SS150J	XRS1/16SS150J	XRS1/16SS150J	XRS1/16SS150J
R6013		RS1/16SS620J	XRS1/16SS620J	XRS1/16SS620J	XRS1/16SS620J
R6014		RS1/16SS390J	XRS1/16SS390J	XRS1/16SS390J	XRS1/16SS390J
R6015		RS1/16SS150J	XRS1/16SS150J	XRS1/16SS150J	XRS1/16SS150J
R6016		RS1/16SS470J	XRS1/16SS470J	XRS1/16SS470J	XRS1/16SS470J
C R6017		RS1/16SS392J	XRS1/16SS392J	XRS1/16SS392J	XRS1/16SS392J
R6018		RS1/16SS472J	XRS1/16SS472J	XRS1/16SS472J	XRS1/16SS472J
R6019		RS1/16SS123J	XRS1/16SS123J	XRS1/16SS123J	XRS1/16SS123J
R6020		RS1/16SS182J	XRS1/16SS182J	XRS1/16SS182J	XRS1/16SS182J
R6021		RS1/16SS222J	XRS1/16SS222J	XRS1/16SS222J	XRS1/16SS222J
R6022		RS1/16SS472J	XRS1/16SS472J	XRS1/16SS472J	XRS1/16SS472J

D

E

F