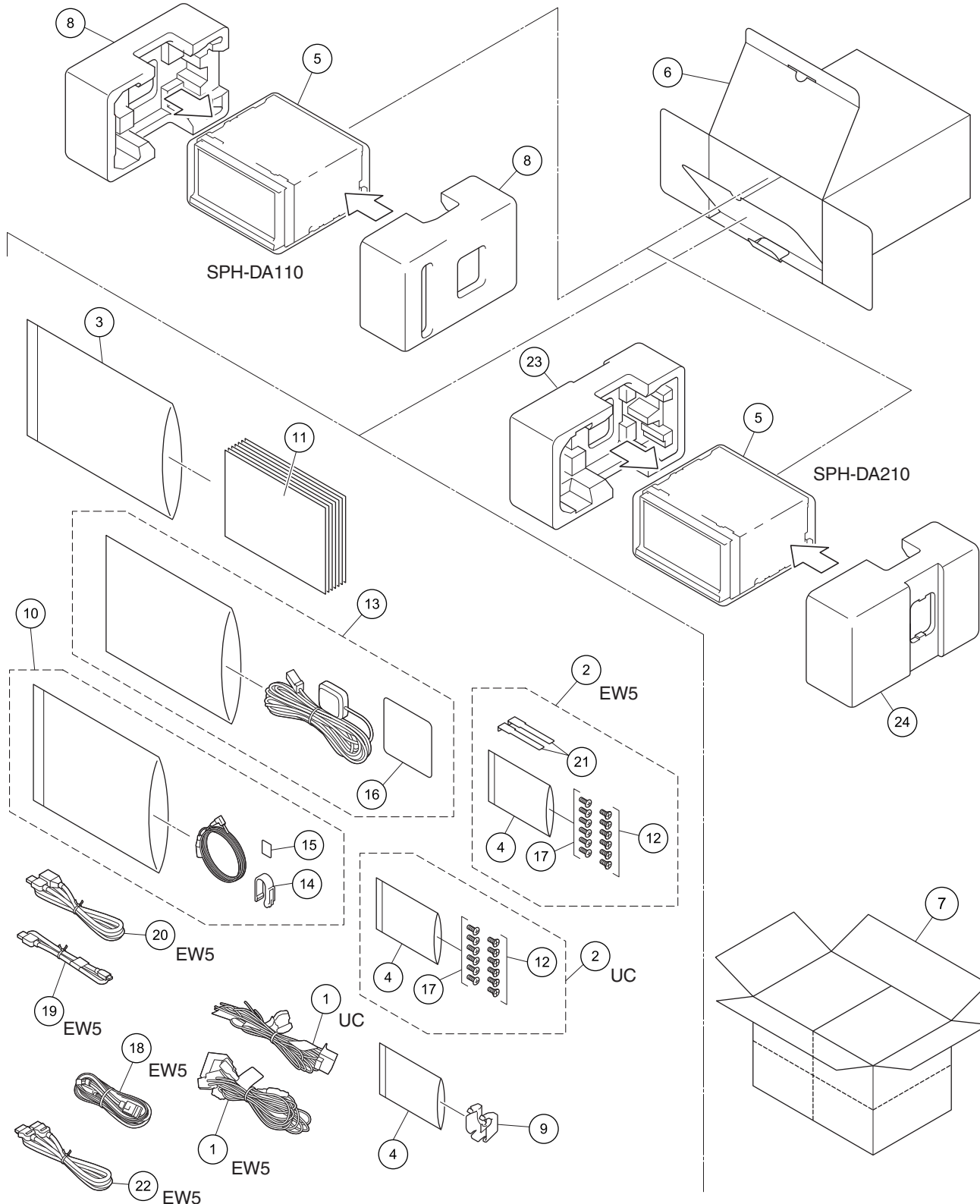


9. EXPLODED VIEWS AND PARTS LIST

NOTES : • Parts marked by " * " are generally unavailable because they are not in our Master Spare Parts List.

- The ⚠ mark found on some component parts indicates the importance of the safety factor of the part. Therefore, when replacing, be sure to use parts of identical designation.
- Screw adjacent to ∇ mark on the product are used for disassembly.
- For the applying amount of lubricants or glue, follow the instructions in this manual.
(In the case of no amount instructions, apply as you think it appropriate.)

9.1 PACKING



SPH-DA210/XNUC

PACKING SECTION PARTS LIST

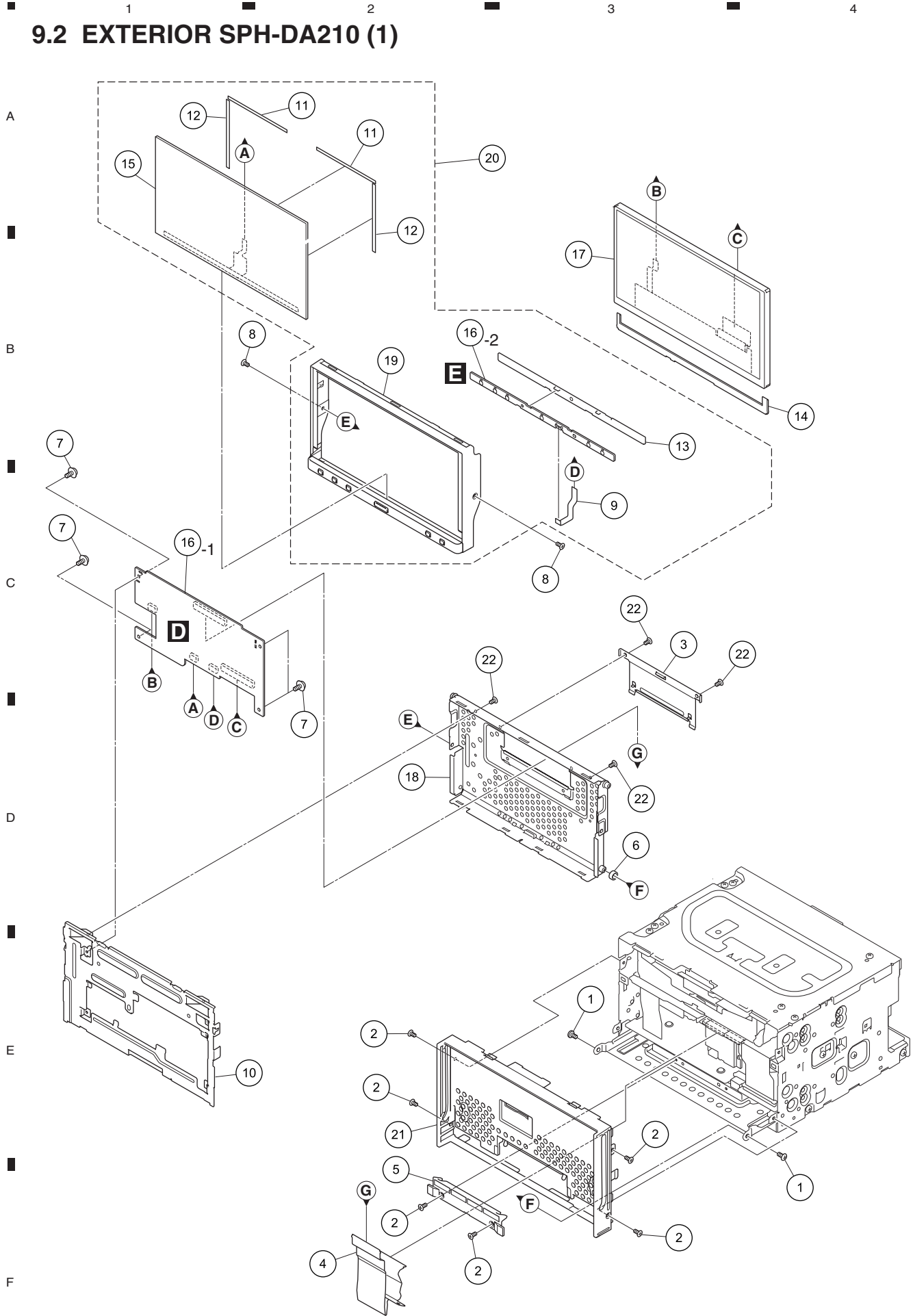
<u>Mark No.</u>	<u>Description</u>	<u>Part No.</u>	<u>Mark No.</u>	<u>Description</u>	<u>Part No.</u>
1	Cord Assy	See Contrast table (2)	11-7	Installation Manual	See Contrast table (2)
* 2	Accessory Assy	See Contrast table (2)	* 11-8	Registration Card	See Contrast table (2)
3	Polyethylene Bag	CEG1116	* 11-9	Warranty Card	See Contrast table (2)
4	Polyethylene Bag	CEG1160	12	Screw	CRZ50P090FTC
5	Polyethylene Bag	See Contrast table (2)	13	GPS Antenna Assy	CXE3204
6	Unit Box	See Contrast table (2)	14	Holder	CZN7192
7	Contain Box	See Contrast table (2)	15	Cushion	CZN7193
8	Protector	See Contrast table (2)	16	Sheet	CZN8510
9	Holder	CNW2508	17	Screw	TRZ50P080FTC
10	Microphone Assy	CPM1083	18	Cord Assy	See Contrast table (2)
11-1	Quick Start Guide	See Contrast table (2)	19	Cord Assy	See Contrast table (2)
11-2	Quick Start Guide	See Contrast table (2)	20	Cord Assy	See Contrast table (2)
11-3	Quick Start Guide	See Contrast table (2)	21	Handle	See Contrast table (2)
11-4	Quick Start Guide	See Contrast table (2)	22	Cord Assy	See Contrast table (2)
11-5	Quick Start Guide	See Contrast table (2)	23	Protector	See Contrast table (2)
11-6	Owner's Manual	See Contrast table (2)	24	Protector	See Contrast table (2)

(2) CONTRAST TABLE

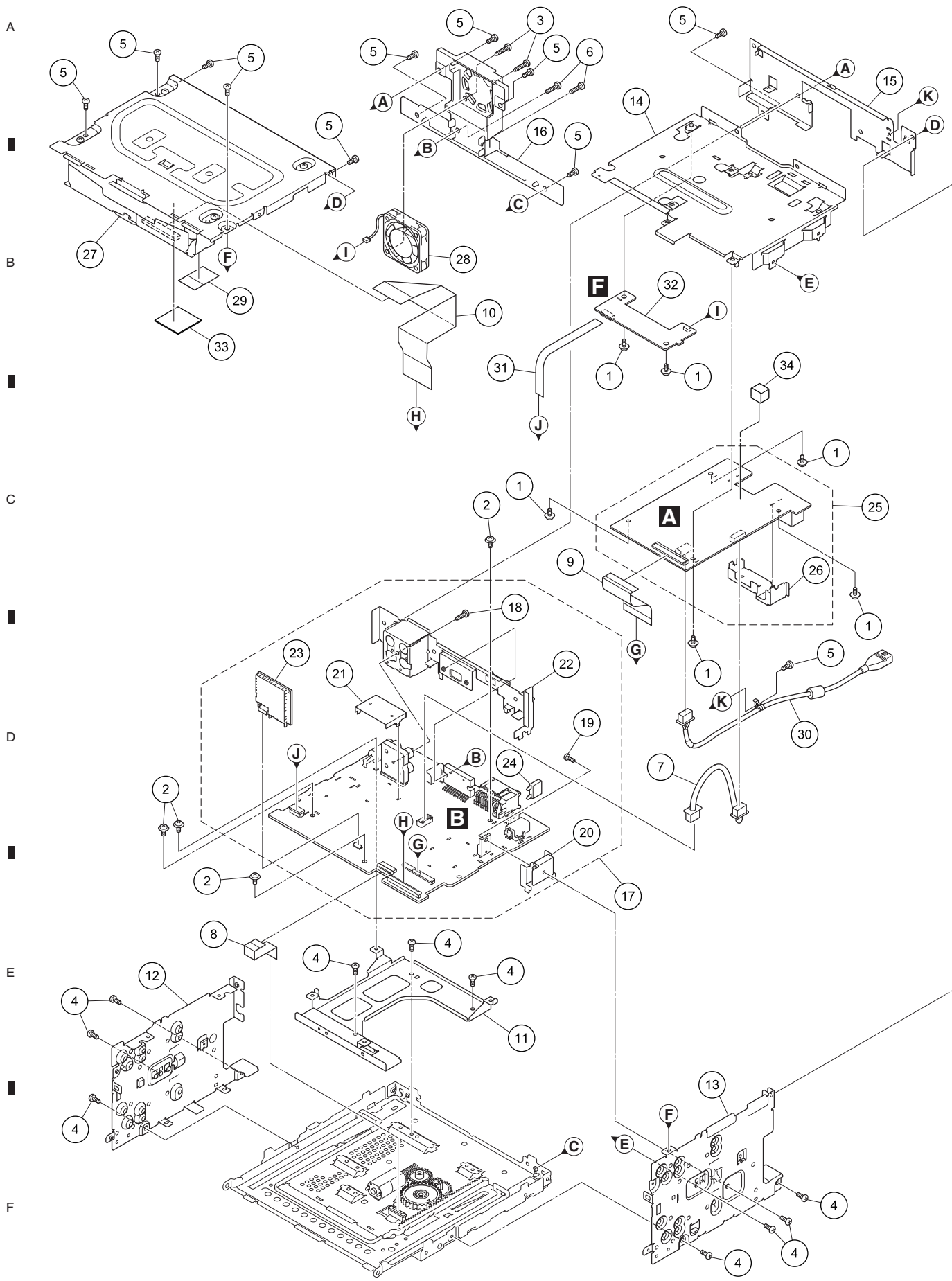
SPH-DA210/XNUC, SPH-DA110/XNUC and SPH-DA110/XNEW5 are constructed the same except for the following:

<u>Mark</u>	<u>No.</u>	<u>Description</u>	<u>SPH-DA210/XNUC</u>	<u>SPH-DA110/XNUC</u>	<u>SPH-DA110/XNEW5</u>
*	1	Cord Assy	CDP1474	CDP1474	CDP1473
	2	Accessory Assy	CEC7756	CEC7756	CED2427
	5	Polyethylene Bag	CEG1359	CEG1402	CEG1356
	6	Unit Box	CHG8447	CHG8445	CHG8446
	7	Contain Box	CHL8329	CHL8278	CHL8279
	8	Protector	Not used	CHP4717	CHP4718
	11-1	Quick Start Guide	CRD4715	CRD4685	Not used
11-2	Quick Start Guide	Not used	Not used	CRB4126	
11-3	Quick Start Guide	Not used	Not used	CRD4680	
11-4	Quick Start Guide	Not used	Not used	CRD4681	
11-5	Quick Start Guide	Not used	Not used	CRD4682	
11-6	Owner's Manual	CRD4686	CRD4686	CRD4683	
11-7	Installation Manual	CRD4687	CRD4687	CRD4684	
* 11-8	Registration Card	CRY1271	CRY1271	Not used	
* 11-9	Warranty Card	QRY3001	QRY3001	CRY1376	
18	Cord Assy	Not used	Not used	CDP1623	
19	Cord Assy	Not used	Not used	CDP1577	
20	Cord Assy	Not used	Not used	CDP1608	
21	Handle	Not used	Not used	CND6289	
22	Cord Assy	Not used	Not used	CDP1622	
23	Protector	CHP4275	Not used	Not used	
24	Protector	CHP4276	Not used	Not used	

9.2 EXTERIOR SPH-DA210 (1)




9.3 EXTERIOR SPH-DA210 (2)

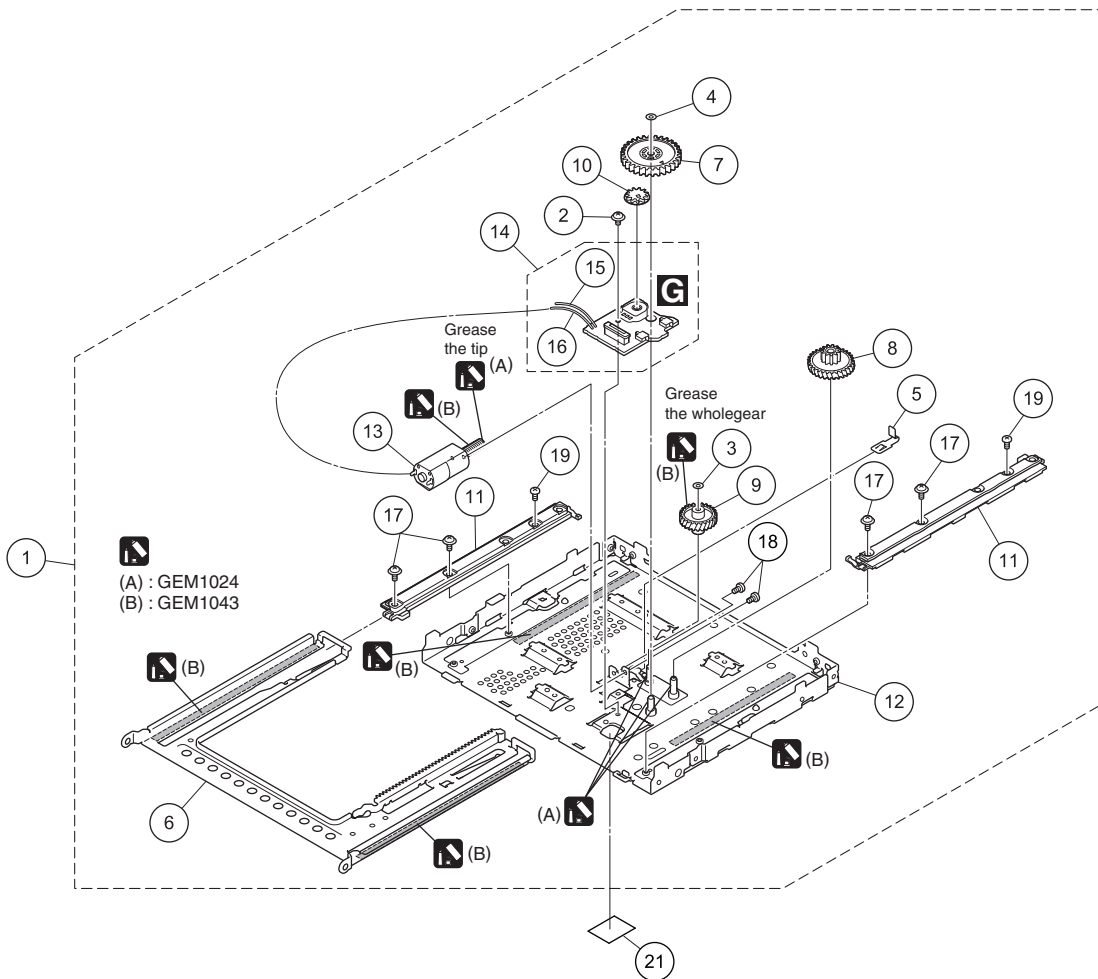
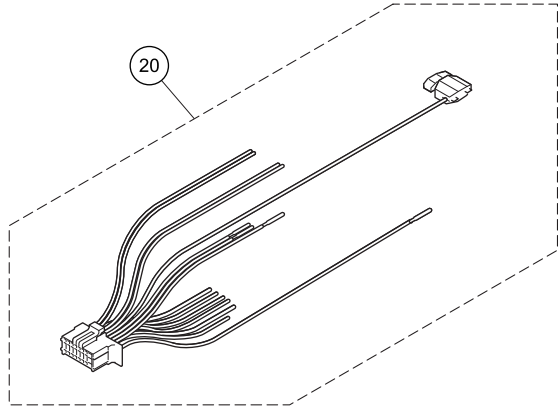


SPH-DA210/XNUC

EXTERIOR SPH-DA210 (2) SECTION PARTS LIST

<u>Mark No.</u>	<u>Description</u>	<u>Part No.</u>	
1	Screw	AMZ26P040FTC	
2	Screw	ASZ26P050FTC	
3	Screw	BPZ30P100FTC	A
4	Screw	BSZ26P050FTC	
5	Screw	BSZ26P060FTC	
6	Screw	BSZ26P160FTC	
7	Cord Assy	CDE8702	
8	FFC	CDE9387	
9	FFC	CDE9656	
10	FFC	CDE9670	
11	Bracket	CND5932	B
12	Bracket	CND6275	
13	Bracket	CND6335	
14	Holder	CND6416	
15	Holder	CND6780	
16	Heat Sink	CNR2122	
17	AV Unit	CWN7638	
18	Screw	BPZ26P080FTC	
19	Screw	BSZ26P060FTC	
20	Holder	CND5834	C
21	Shield	CND5938	
22	Holder	CND6413	
23	BT Module	CWX4378	
 24	Fuse(10 A)	YEK5001	
25	Main Unit	CWN7640	
26	Holder	CND6417	
27	DVD Mechanism Module(LS2)	CXK8005	
28	Fan Motor	CXM1446	
29	Insulator	CNN4245	
30	Cord Assy	CDE9914	D
31	FFC	CDF1027	
32	FAN CONTROL UNIT	CWN7641	
33	EMI Absorb Sheet	CNN3881	
34	Gasket	CNN4512	

9.4 EXTERIOR SPH-DA210 (3)



12. ELECTRICAL PARTS LIST

NOTE:

- Parts whose parts numbers are omitted are subject to being not supplied.
- The part numbers shown below indicate chip components.

Chip Resistor

RS1/○S○○○○J,RS1/○○S○○○○J

Chip Capacitor (except for CQS.....)

CKS....., CCS....., CSZS.....

- The \triangle mark found on some component parts indicates the importance of the safety factor of the part. Therefore, when replacing, be sure to use parts of identical designation.
- Meaning of the figures and others in the parentheses in the parts list.

Example) IC 301 is on the point (face A, 91 of x-axis, and 111 of y-axis) of the corresponding PC board.

IC 301 (A, 91, 111) IC NJM2068V

- The expression of the unit in this manual is shown by u instead of μ . Please do not make a mistake.

	<u>Circuit Symbol and No.</u>	<u>Part No.</u>	<u>Circuit Symbol and No.</u>	<u>Part No.</u>
A:SPH-DA110/XNUC	IC 66	(A,19,28) Regulator IC	S-1172B13-E6	
	IC 71	(B,17,64) Regulator IC	S-1172B33-E6	
B:SPH-DA110/XNEW5	IC 81	(A,80,80) Regulator IC	S-1155B33-U5	
	IC 86	(A,75,88) Regulator IC	NJM2878F3-15	
C:SPH-DA210/XNUC				
Unit Number: CWN7324(A,B)	IC 121	(B,18,84) IC	OZ529IEGN	
	IC 146	(B,28,55) D/A Converter	PCM1753DBQ	
Unit Number: CWN7640(C)	IC 151	(B,77,65) IC	337S3959	
Unit Name : Main Unit	IC 167	(B,34,62) Logic IC	TC7SHU04FUS1	
	IC 168	(A,51,39) IC	R8A77240D500BG2	
Unit Number: CWN7320(A)	IC 170	(B,37,54) Logic IC	TC74VHC125FK	
	IC 382	(A,32,32) IC	NJM2125F	
Unit Number: CWN7321(B)	IC 383	(A,35,20) IC	BA2903FVM	
	IC 401	(A,80,28) RAM IC	H5PS5162GFR-S5C	
Unit Number: CWN7638(C)	IC 402	(A,80,50) RAM IC	H5PS5162GFR-S5C	
Unit Name : AV Unit				
Unit Number: YWX5033(C)	IC 451	(B,56,58) Flash ROM Unit(Service)	CXX5408	
	IC 471	(B,54,79) IC	TC74LCX541FK	
Unit Name : DVD Core Unit	IC 472	(B,54,71) IC	TC74LCX541FK	
	IC 473	(B,71,78) LSI	ML86V7675TBZA3A	
Unit Number: CWN7310(A,B)	IC 474	(B,84,96) IC	BH7673G	
	IC 475	(B,87,96) IC	BH7673G	
Unit Number: CWN7311(C)	IC 476	(B,91,96) IC	BH7673G	
	IC 478	(B,73,105) IC(C)	NJM2561F1	
Unit Name : Monitor Unit	IC 571	(A,48,82) IC	MN864773A	
	IC 572	(A,81,72) Regulator IC	S-1172B33-E6	
Unit Number: CWN7641(C)	IC 573	(A,71,70) Regulator IC	S-1172B12-E6	
Unit Name : Fan Control Unit				
Unit Number: EXX2001(C)	IC 574	(B,39,75) IC	WM8761BGED	
	IC 575	(B,37,83) 1 Chip or Gate	TC7SH32FUS1	
Unit Name : PCB Assy(Service)	Q 51	(A,27,34) Transistor	LSCR523UB	
	Q 151	(B,77,59) Transistor	LSAR523UB	
	Q 471	(B,83,87) Transistor	LSCR523UB	
	Q 472	(B,87,87) Transistor	LSCR523UB	
	Q 473	(B,91,87) Transistor	LSCR523UB	
	Q 474	(B,69,99) Transistor	LSAR523UB	
	Q 475	(B,72,100) Transistor	LTC014EEB	
	Q 571	(A,69,99) Transistor	LTC014EEB	
	Q 572	(A,67,103) Transistor	LSAR523UB	
F MISCELLANEOUS	D 51	(A,17,44) Diode	RB162M-40	
	D 71	(B,24,68) Diode	1SR154-400	
	D 81	(A,87,82) Diode	1SR154-400	
	D 111	(B,31,124) Diode	DZ2S180C	
IC 51	(A,18,49) IC	AL2010		

5			6			7			8		
<u>Circuit Symbol and No.</u>			<u>Part No.</u>			<u>Circuit Symbol and No.</u>			<u>Part No.</u>		
D 112	(B,31,131)	Diode	DZ2S180C	L 572	(A,49,96)	Filter	CTF1834				
D 115	(B,28,124)	Diode	DZ2S180C	L 573	(A,56,96)	Filter	CTF1834				
D 116	(B,31,127)	Diode	DZ2S180C	L 574	(A,53,96)	Filter	CTF1834				
D 117	(B,16,104)	Diode	DZ2S180C	L 575	(A,64,85)	Ferrite Bead	CTF1528				A
D 121	(A,19,116)	Diode	EZAEG2A50AX	L 576	(B,32,77)	Chip Ferrite Bead	DTL1107				
D 123	(A,13,117)	Diode	DZ2S068C	L 577	(A,60,100)	Ferrite Bead	CTF1528				
D 124	(A,21,78)	Diode	RB060M-30	L 578	(A,34,76)	Chip Beads	VTL1126				
D 125	(A,18,116)	Diode	EZAEG2A50AX	X 167	(B,39,62)	Resonator 22 579.2 kHz	CSS1812				
D 151	(B,72,66)	Diode	RB751SM-40	X 168	(A,37,28)	Resonator 48.000 MHz	CSS1760				
D 301	(A,21,13)	Diode	DZ2S068C	X 169	(A,48,23)	Crystal Resonator 33.333 333 MHz	CSS1825				
D 302	(A,30,23)	Diode	EZAEG2A50AX	X 471	(B,66,88)	Crystal Resonator 32.000 MHz	CSS1818				
D 303	(A,32,23)	Diode	EZAEG2A50AX	X 571	(A,64,90)	Resonator 27.000 MHz	CSS1768				
D 571	(A,68,96)	Diode	DA2J101	P 101	(B,35,115)	Poly Switch	FMSMD075-24R				
D 572	(A,57,97)	Diode	EZAEG2A50AX	CN1	(B,33,9)	Connector	CKS6467				
D 573	(A,55,97)	Diode	EZAEG2A50AX	CN2	(A,71,8)	Connector	CKS6300				B
D 574	(A,54,99)	Diode	EZAEG2A50AX	CN96	(A,17,66)	Connector	CKS4674				
D 575	(A,53,99)	Diode	EZAEG2A50AX	CN111	(A,16,125)	Connector	CKS5867				
D 576	(A,52,97)	Diode	EZAEG2A50AX	CN301	(A,24,17)	Connector	AKM1276				
D 577	(A,50,97)	Diode	EZAEG2A50AX	JA101	(A,34,103)	RCA Jack	CKB1106				
D 578	(A,50,99)	Diode	EZAEG2A50AX	JA571	(A,55,106)	Connector	CKS6560				
D 579	(A,48,99)	Diode	EZAEG2A50AX								
D 580	(A,62,99)	Diode	EZAEG2A50AX								
D 581	(A,62,97)	Diode	EZAEG2A50AX								
D 583	(A,89,77)	Diode	1SR154-400								
D 584	(A,60,93)	Diode	DA2J101								
L 1	(A,73,13)	Ferrite Bead	CTF1528	R 1	(A,81,15)		RS1/16SS221J				
L 2	(B,25,20)	Chip Beads	VTL1126	R 52	(A,19,54)		RS1/16SS564J				
L 3	(B,27,20)	Chip Beads	VTL1126	R 53	(A,17,54)		RS1/16SS123J				C
L 51	(A,20,40)	Inductor	CTH1524	R 54	(A,17,57)		RS1/16SS224J				
L 121	(A,21,112)	Inductor	CTF1713	R 55	(A,22,46)		RS1/16SS5R6J				
L 122	(A,20,85)	Choke Coil 33 uH	CTH1417	R 56	(A,15,52)		RS1/16SS6800D				
L 123	(B,16,77)	Inductor	CTF1793	R 57	(A,15,54)		RS1/16SS1302D				
L 166	(A,57,23)	Chip Beads	VTL1126	R 58	(A,16,56)		RS1/16SS6801D				
L 167	(A,56,25)	Chip Beads	VTL1126	R 59	(A,15,46)		RS1/16SS5R6J				
L 168	(A,55,22)	Chip Beads	VTL1126	R 60	(A,22,55)		RS1/16SS102J				
L 169	(A,54,23)	Chip Beads	VTL1126	R 65	(A,79,90)		RS1/10SR0R0J				
L 170	(A,60,23)	Chip Beads	VTL1126	R 67	(A,19,33)		RS1/16SS102J				
L 171	(A,58,23)	Chip Beads	VTL1126	R 72	(B,14,61)		RS1/16SS102J				D
L 172	(A,56,23)	Chip Beads	VTL1126	R 82	(A,83,78)		RS1/16SS102J				
L 173	(A,55,23)	Chip Beads	VTL1126	R 84	(A,73,84)		RS1/10SR0R0J				
L 174	(A,62,23)	Chip Beads	VTL1126	R 86	(A,79,86)		RS1/16SS102J				
L 175	(A,60,25)	Chip Beads	VTL1126	R 91	(A,28,31)		RS1/16SS471J				
L 176	(A,58,25)	Chip Beads	VTL1126	R 92	(A,28,32)		RS1/16SS102J				
L 177	(A,57,22)	Chip Beads	VTL1126	R 93	(A,26,36)		RS1/16SS102J				
L 178	(A,61,23)	Chip Beads	VTL1126	R 94	(B,70,89)		RS1/16SS0R0J				
L 179	(A,59,23)	Chip Beads	VTL1126	R 100	(B,41,36)		RS1/10SR0R0J				
L 180	(A,59,22)	Chip Beads	VTL1126	R 108	(B,39,116)		RS1/10SR0R0J				
L 181	(A,63,23)	Chip Beads	VTL1126	R 120	(A,23,104)		RS1/16SS0R0J				
L 182	(A,63,21)	Chip Beads	VTL1126	R 121	(B,11,88)		RS1/16SS3902D				E
L 183	(A,62,21)	Chip Beads	VTL1126	R 122	(B,11,89)		RS1/16SS1201D				
L 184	(A,61,21)	Chip Beads	VTL1126	R 123	(B,13,89)		RS1/16SS1002D				
L 185	(A,64,21)	Chip Beads	VTL1126	R 126	(B,23,89)		RS1/16SS104J				
L 187	(A,65,27)	Chip Beads	VTL1126	R 127	(A,28,90)		RS1/16SS0R0J				
L 189	(B,41,53)	Chip Beads	VTL1132	R 128	(B,23,91)		RS1/16SS101J				
L 190	(B,34,52)	Chip Beads	VTL1132	R 129	(B,23,85)		RS1/16SS0R0J				
L 192	(A,35,43)	Chip Beads	VTL1132	R 130	(B,23,81)		RS1/16SS104J				
L 301	(A,31,26)	Inductor	CTF1713	R 131	(B,23,90)		RS1/16SS104J				
L 391	(A,31,29)	Inductor	CTF1787	R 132	(B,23,87)		RS1/16SS1802D				
L 392	(A,33,26)	Inductor	CTF1787	R 133	(B,23,88)		RS1/16SS273J				
L 571	(A,51,96)	Filter	CTF1834	R 134	(B,15,90)		RS1/16SS0R0J				F
				R 135	(B,19,92)		RS1/16SS102J				
				R 136	(B,19,91)		RS1/16SS102J				

RESISTORS

1

Circuit Symbol and No.

2

Part No.

3

Circuit Symbol and No.

4

Part No.

	R 138	(A,16,97)	RS1/16SS102J	R 225	(A,49,26)	RS1/16SS152J
	R 139	(A,16,96)	RS1/16SS102J	R 226	(A,42,22)	RS1/16SS103J
	R 140	(A,16,95)	RS1/16SS102J	R 227	(A,57,62)	RS1/16SS330J
A	R 141	(A,16,94)	RS1/16SS102J	R 228	(A,57,56)	RS1/16SS330J
	R 142	(A,23,59)	RS1/16SS0R0J	R 229	(A,56,54)	RS1/16SS330J
	R 143	(A,29,33)	RS1/16SS0R0J	R 231	(B,56,28)	RS1/16SS101J
	R 144	(A,22,116)	RS1/16SS0R0J	R 235	(B,56,26)	RS1/16SS101J
	R 147	(B,26,51)	RS1/16SS821J	R 238	(B,56,24)	RS1/16SS101J
	R 148	(B,27,50)	RS1/16SS821J	R 240	(B,58,31)	RS1/16SS0R0J
	R 149	(B,25,57)	RS1/16SS0R0J	R 241	(B,56,36)	RS1/16SS82R0D
	R 152	(B,82,65)	RS1/16SS222J	R 242	(B,58,33)	RS1/16SS82R0D
	R 153	(B,80,68)	RS1/16SS222J	R 248	(A,58,56)	RS1/16SS330J
	R 154	(B,73,62)	RS1/16SS103J	R 251	(A,38,36)	RS1/16SS102J
B	R 155	(B,73,65)	RS1/16SS102J	R 252	(A,37,36)	RS1/16SS102J
	R 156	(B,81,66)	RS1/16SS101J	R 254	(A,57,54)	RS1/16SS330J
	R 157	(B,82,64)	RS1/16SS101J	R 255	(A,59,56)	RS1/16SS561J
	R 158	(B,73,63)	RS1/16SS103J	R 256	(A,40,23)	RS1/16SS0R0J
	R 161	(B,74,59)	RS1/16SS472J	R 257	(A,66,41)	RS1/16SS100J
	R 166	(A,52,60)	RS1/16SS330J	R 258	(A,66,40)	RS1/16SS100J
	R 167	(A,52,62)	RS1/16SS330J	R 259	(B,68,42)	RS1/16SS100J
	R 168	(A,52,56)	RS1/16SS330J	R 260	(B,67,37)	RS1/16SS100J
	R 169	(A,51,52)	RS1/16SS330J	R 261	(A,68,40)	RS1/16SS100J
	R 170	(A,53,62)	RS1/16SS330J	R 262	(B,69,40)	RS1/16SS100J
C	R 171	(A,53,60)	RS1/16SS330J	R 263	(B,69,37)	RS1/16SS100J
	R 172	(A,53,56)	RS1/16SS330J	R 264	(A,58,54)	RS1/16SS330J
	R 173	(A,52,54)	RS1/16SS330J	R 265	(B,68,46)	RS1/16SS100J
	R 174	(A,54,62)	RS1/16SS330J	R 266	(B,67,43)	RS1/16SS100J
	R 175	(A,54,60)	RS1/16SS330J	R 267	(B,68,44)	RS1/16SS100J
	R 176	(A,54,56)	RS1/16SS330J	R 268	(B,68,43)	RS1/16SS100J
	R 179	(A,53,54)	RS1/16SS330J	R 269	(B,67,35)	RS1/16SS100J
	R 181	(A,55,62)	RS1/16SS330J	R 270	(B,66,45)	RS1/16SS100J
	R 182	(A,56,62)	RS1/16SS330J	R 271	(B,67,38)	RS1/16SS100J
	R 183	(B,36,62)	RS1/16SS105J	R 273	(A,37,46)	RS1/16SS473J
	R 185	(A,55,60)	RS1/16SS330J	R 275	(A,38,45)	RS1/16SS472J
	R 187	(A,55,56)	RS1/16SS330J	R 276	(A,38,43)	RS1/16SS472J
D	R 188	(B,37,60)	RS1/16SS331J	R 277	(A,38,47)	RS1/16SS473J
	R 190	(B,37,59)	RS1/16SS220J	R 278	(A,39,48)	RS1/16SS473J
	R 191	(A,54,54)	RS1/16SS330J	R 279	(A,60,62)	RS1/16SS561J
	R 193	(B,34,58)	RS1/10SR0R0J	R 281	(B,41,51)	RS1/16SS471J
	R 194	(B,34,44)	RS1/16SS221J	R 283	(B,33,52)	RS1/16SS471J
	R 198	(A,56,60)	RS1/16SS330J	R 284	(B,37,45)	RS1/16SS472J
	R 199	(A,34,43)	RS1/16SS471J	R 285	(B,34,19)	RS1/16SS103J
	R 200	(A,34,44)	RS1/16SS101J	R 286	(B,58,28)	RS1/16SS103J
	R 201	(A,34,42)	RS1/16SS101J	R 287	(A,40,51)	RS1/16SS473J
	R 202	(A,57,60)	RS1/16SS330J	R 289	(A,59,54)	RS1/16SS561J
E	R 206	(A,56,56)	RS1/16SS330J	R 290	(A,61,60)	RS1/16SS561J
	R 207	(A,55,54)	RS1/16SS330J	R 310	(B,67,36)	RS1/16SS100J
	R 210	(A,38,33)	RS1/16SS5601D	R 311	(B,69,39)	RS1/16SS100J
	R 211	(A,40,31)	RS1/16SS5601D	R 312	(B,67,34)	RS1/16SS100J
	R 212	(A,40,28)	RS1/16SS681J	R 313	(B,69,36)	RS1/16SS100J
	R 214	(A,40,22)	RS1/16SS103J	R 314	(B,67,39)	RS1/16SS100J
	R 215	(A,42,27)	RS1/16SS103J	R 315	(B,69,38)	RS1/16SS100J
	R 216	(A,40,24)	RS1/16SS103J	R 316	(A,66,38)	RS1/16SS100J
	R 217	(A,42,24)	RS1/16SS103J	R 317	(A,66,39)	RS1/16SS100J
	R 218	(A,39,21)	RS1/16SS103J	R 320	(B,33,56)	RS1/16SS101J
	R 219	(A,38,23)	RS1/16SS103J	R 321	(A,60,60)	RS1/16SS561J
F	R 220	(A,39,20)	RS1/16SS103J	R 322	(A,61,62)	RS1/16SS561J
	R 221	(A,42,20)	RS1/16SS103J	R 323	(A,60,56)	RS1/16SS561J
	R 222	(A,42,21)	RS1/16SS103J	R 324	(A,63,62)	RS1/16SS561J
	R 223	(A,43,24)	RS1/16SS103J	R 325	(A,62,62)	RS1/16SS561J

1

2

3

4

5		6		7		8	
<u>Circuit Symbol and No.</u>		<u>Part No.</u>		<u>Circuit Symbol and No.</u>		<u>Part No.</u>	
R 326	(A,62,60)	RS1/16SS561J		R 486	(B,49,82)	RS1/16SS470J	
R 327	(A,60,54)	RS1/16SS561J		R 487	(B,49,81)	RS1/16SS470J	
R 328	(A,63,60)	RS1/16SS561J		R 488	(B,49,80)	RS1/16SS470J	
R 329	(A,61,54)	RS1/16SS561J		R 489	(B,50,79)	RS1/16SS470J	A
R 330	(A,61,56)	RS1/16SS561J		R 490	(B,50,78)	RS1/16SS470J	
R 331	(A,62,54)	RS1/16SS561J		R 491	(B,50,77)	RS1/16SS470J	
R 332	(A,62,56)	RS1/16SS561J		R 492	(B,50,76)	RS1/16SS470J	
R 333	(B,45,58)	RS1/16SS330J		R 493	(B,50,73)	RS1/16SS470J	
R 334	(A,43,22)	RS1/16SS472J		R 494	(B,50,72)	RS1/16SS470J	
R 335	(A,42,19)	RS1/16SS102J		R 495	(B,50,71)	RS1/16SS470J	
R 337	(A,41,53)	RS1/16SS103J		R 496	(B,50,70)	RS1/16SS470J	
R 338	(A,57,20)	RS1/16SS560J		R 497	(B,50,69)	RS1/16SS470J	
R 339	(A,56,22)	RS1/16SS560J		R 499	(A,78,97) (C)	RS1/16SS750J	
				R 503	(B,82,83)	RS1/16SS151J	
R 340	(A,55,18)	RS1/16SS560J					B
R 341	(A,54,20)	RS1/16SS560J		R 504	(B,86,83)	RS1/16SS151J	
R 342	(A,60,20)	RS1/16SS560J		R 508	(B,74,90) (C)	RS1/16SS750J	
R 343	(A,58,20)	RS1/16SS560J		R 509	(B,71,86)	RS1/16SS472J	
R 344	(A,56,20)	RS1/16SS560J		R 510	(B,71,70)	RS1/16SS473J	
				R 511	(B,67,86)	RS1/16SS105J	
R 345	(A,55,20)	RS1/16SS560J		R 512	(B,62,88)	RS1/16SS101J	
R 346	(A,62,20)	RS1/16SS560J					
R 347	(A,60,21)	RS1/16SS560J		R 513	(B,62,87)	RS1/16SS101J	
R 348	(A,58,22)	RS1/16SS560J		R 514	(B,68,87)	RS1/16SS821J	
R 349	(A,57,18)	RS1/16SS560J		R 516	(B,63,82)	RS1/16SS330J	
				R 517	(B,62,79)	RS1/16SS330J	
R 350	(A,61,20)	RS1/16SS560J		R 518	(B,63,78)	RS1/16SS330J	
R 351	(A,59,20)	RS1/16SS560J					C
R 352	(A,59,18)	RS1/16SS560J		R 519	(B,62,78)	RS1/16SS330J	
R 353	(A,63,20)	RS1/16SS560J		R 520	(B,63,77)	RS1/16SS330J	
R 354	(A,63,18)	RS1/16SS560J		R 521	(B,62,77)	RS1/16SS330J	
				R 522	(B,63,76)	RS1/16SS330J	
R 355	(A,62,18)	RS1/16SS560J		R 523	(B,62,76)	RS1/16SS330J	
R 356	(A,61,18)	RS1/16SS560J					
R 357	(A,66,21)	RS1/16SS221J		R 524	(B,63,75)	RS1/16SS330J	
R 358	(A,42,52)	RS1/16SS103J		R 525	(B,62,75)	RS1/16SS330J	
R 359	(A,64,18)	RS1/16SS560J		R 526	(B,63,74)	RS1/16SS330J	
				R 527	(B,63,73)	RS1/16SS330J	
R 361	(A,38,44)	RS1/16SS473J		R 529	(B,60,87)	RS1/16SS222J	
R 367	(A,66,24)	RS1/16SS0R0J					D
R 382	(A,30,28)	RS1/16SS1002D		R 530	(B,60,86)	RS1/16SS222J	
R 383	(A,30,30)	RS1/16SS0R0J		R 531	(B,63,83)	RS1/16SS101J	
R 384	(A,30,31)	RS1/16SS2201D		R 532	(B,63,85)	RS1/16SS473J	
				R 533	(B,70,71)	RS1/16SS101J	
R 385	(A,30,33)	RS1/16SS1000D		R 534	(B,83,101)	RS1/16SS750J	
R 388	(A,33,17)	RS1/16SS1002D					
R 389	(A,33,19)	RS1/16SS0R0J		R 535	(B,87,102)	RS1/16SS750J	
R 390	(A,33,21)	RS1/16SS2701D		R 536	(B,89,78)	RS1/16SS151J	
R 391	(A,33,22)	RS1/16SS0R0J		R 537	(B,91,102)	RS1/16SS750J	
				R 542	(B,92,94)	RS1/16SS101J	
R 393	(A,37,23)	RS1/16SS103J		R 543	(B,85,94)	RS1/16SS101J	
R 395	(A,37,17)	RS1/16SS1002D					
R 396	(A,36,16)	RS1/16SS0R0J		R 544	(B,88,94)	RS1/16SS101J	
R 398	(A,35,17)	RS1/16SS1801D		R 545	(B,50,82)	RS1/16SS104J	E
R 399	(A,34,16)	RS1/16SS0R0J		R 550	(B,71,98)	RS1/16SS102J	
				R 551	(B,69,101)	RS1/16SS103J	
R 401	(B,80,24)	RS1/16SS82R0D		R 553	(B,83,79)	RS1/16SS0R0J	
R 402	(B,82,24)	RS1/16SS82R0D					
R 403	(B,80,52)	RS1/16SS82R0D		R 554	(B,83,76)	RS1/16SS0R0J	
R 404	(B,82,50)	RS1/16SS82R0D		R 555	(B,83,74)	RS1/16SS0R0J	
R 405	(B,62,40)	RS1/16SS100J		R 556	(B,75,90) (A,B)	RS1/16SS0R0J	
				R 575	(A,35,91)	RS1/16SS0R0J	
R 406	(B,62,41)	RS1/16SS100J		R 576	(A,33,91)	RS1/16SS0R0J	
R 407	(B,78,42)	RS1/16SS431J					
R 452	(B,43,59)	RS1/16SS103J		R 577	(A,35,90)	RS1/16SS0R0J	
R 454	(B,43,58)	RS1/16SS103J		R 578	(A,33,90)	RS1/16SS0R0J	
R 476	(B,78,71)	RS1/16SS0R0J		R 579	(A,33,88)	RS1/16SS0R0J	F
				R 580	(A,51,68)	RS1/16SS220J	
R 484	(B,76,90)	RS1/16SS750J		R 581	(A,52,68)	RS1/16SS220J	
R 485	(B,49,83)	RS1/16SS470J					

1

Circuit Symbol and No.

2

Part No.

3

Circuit Symbol and No.

4

Part No.

R 582	(A,53,68)	RS1/16SS220J			
R 583	(A,54,68)	RS1/16SS220J	C 56	(A,15,38) 10 uF	CCG1192
R 584	(A,55,68)	RS1/16SS220J	C 57	(A,23,48) 10 uF	CCG1192
R 585	(A,56,68)	RS1/16SS220J	C 58	(A,24,46)	CKSRYP681K50
R 586	(A,57,68)	RS1/16SS220J	C 59	(A,14,54)	CCSSCH271J50
			C 60	(A,15,42) 10 uF	CCG1192
R 587	(A,58,69)	RS1/16SS220J			
R 588	(A,62,76)	RS1/16SS220J	C 61	(A,13,46)	CKSRYP105K16
R 589	(A,62,77)	RS1/16SS220J	C 62	(A,14,49) 10 uF	CCG1192
R 590	(A,62,78)	RS1/16SS220J	C 66	(A,14,27) 10 uF	CCG1192
R 591	(A,62,79)	RS1/16SS220J	C 68	(A,24,27) 10 uF	CCG1192
			C 71	(B,20,69)	CKSQYB475K6R3
R 592	(A,62,80)	RS1/16SS220J			
R 593	(A,62,81)	RS1/16SS220J	C 72	(B,14,57)	CKSQYB475K6R3
R 594	(A,62,82)	RS1/16SS220J	C 81	(A,80,84)	CKSQYB475K6R3
R 595	(A,62,83)	RS1/16SS220J	C 82	(A,76,81)	CKSQYB475K6R3
R 596	(A,63,83)	RS1/16SS100J	C 86	(A,73,89)	CKSRYP105K10
			C 87	(A,77,87)	CKSRYP105K10
R 597	(A,35,73)	RS1/16SS220J			
R 598	(A,36,71)	RS1/16SS220J	C 103	(B,34,112)	CKSRYP103K50
R 599	(A,35,74)	RS1/16SS220J	C 121	(B,12,88)	CKSSYP681K50
R 600	(A,35,82)	RS1/16SS303J	C 122	(A,13,90) 47 uF	CCG1251
R 601	(A,31,82)	RS1/16SS681J	C 123	(B,20,94) 47 uF	CCG1251
			C 124	(B,23,86)	CKSSYP104K10
R 602	(A,35,81)	RS1/16SS303J			
R 603	(A,35,80)	RS1/16SS303J	C 125	(A,15,82)	CKSRYP105K16
R 604	(A,33,80)	RS1/16SS303J	C 129	(A,13,115)	CKSRYP104K50
R 605	(A,33,78)	RS1/16SS681J	C 130	(B,21,78)	CKSYB225K25
R 606	(A,33,77)	RS1/16SS681J	C 131	(B,23,84)	CKSSYP103K16
			C 132	(B,15,79)	CKSSYP103K25
R 608	(A,81,68)	RS1/16SS102J			
R 613	(A,30,83)	RS1/16SS472J	C 133	(A,15,86) 47 uF	CCG1251
R 615	(A,32,75)	RS1/16SS472J	C 134	(A,17,76)	CEVW100M16
R 619	(A,62,87)	RS1/16SS473J	C 135	(A,13,80) 10 uF	CCG1223
R 620	(A,70,97)	RS1/16SS223J	C 145	(B,29,50)	CKSRYP105K10
			C 146	(B,24,50)	CKSRYP332K50
R 621	(A,70,95)	RS1/16SS433J			
R 622	(A,66,95)	RS1/16SS473J	C 147	(B,24,49)	CKSRYP332K50
R 624	(A,62,86)	RS1/16SS473J	C 148	(B,28,51)	CKSSYP104K10
R 625	(A,62,85)	RS1/16SS473J	C 149	(B,26,60) 10 uF	CCG1192
R 630	(A,32,76)	RS1/16SS101J	C 150	(B,29,48) 10 uF	CCG1192
			C 151	(B,73,64)	CKSSYP104K10
R 632	(A,60,95)	RS1/16SS273J			
R 633	(A,78,68)	RS1/16SS104J	C 152	(B,78,68)	CKSSYP104K10
R 638	(B,36,80)	RS1/16SS821J	C 166	(A,57,16)	CCSSCH101J50
R 639	(B,36,70)	RS1/16SS821J	C 167	(A,56,14)	CCSSCH101J50
R 640	(B,31,73)	RS1/16SS0R0J	C 168	(A,55,14)	CCSSCH101J50
			C 169	(A,54,16)	CCSSCH101J50
R 643	(A,61,89)	RS1/16SS681J			
R 645	(B,28,71)	RS1/16SS0R0J	C 170	(A,60,16)	CCSSCH101J50
R 646	(A,66,101)	RS1/16SS102J	C 171	(A,58,16)	CCSSCH101J50
R 647	(A,31,87)	RS1/16SS103J	C 172	(A,56,16)	CCSSCH101J50
R 650	(A,69,103)	RS1/16SS103J	C 173	(A,55,16)	CCSSCH101J50
			C 174	(A,62,16)	CCSSCH101J50
R 651	(A,69,101)	RS1/16SS102J			
R 653	(A,60,99)	RS1/16SS0R0J	C 175	(A,60,14)	CCSSCH101J50
R 654	(A,60,98)	RS1/16SS0R0J	C 176	(A,58,14)	CCSSCH101J50
R 655	(A,60,97)	RS1/16SS0R0J	C 177	(A,57,14)	CCSSCH101J50
R 658	(B,62,86)	RS1/16SS0R0J	C 178	(A,61,16)	CCSSCH101J50
			C 179	(A,59,16)	CCSSCH101J50
R 661	(B,39,35)	RS1/16SS0R0J			
R 662	(B,38,35)	RS1/16SS0R0J	C 180	(A,59,14)	CCSSCH101J50
R 663	(B,44,23)	RS1/10SR0R0J	C 181	(A,63,16)	CCSSCH101J50
			C 182	(A,63,14)	CCSSCH101J50
			C 183	(A,62,14)	CCSSCH101J50
			C 184	(A,61,14)	CCSSCH101J50

CAPACITORS

C 51	(A,14,47) 10 uF	CCG1192			
C 52	(A,23,50) 10 uF	CCG1192	C 185	(A,65,21)	CCSSCH470J50
C 53	(A,17,56)	CKSSYP392K50	C 186	(A,64,14)	CCSSCH101J50
C 54	(A,18,55)	CKSSYP104K10	C 187	(A,65,18)	CCSSCH180J50
C 55	(A,15,40) 10 uF	CCG1192	C 190	(B,39,65)	CCSSCH120J50
			C 191	(B,38,27) 4.7 uF	CCG1201

1

2

3

4

5		6	7		8
<u>Circuit Symbol and No.</u>		<u>Part No.</u>	<u>Circuit Symbol and No.</u>		<u>Part No.</u>
C 192	(B,41,25) 4.7 uF	CCG1201	C 256	(B,47,37)	CKSSYB104K10
C 193	(B,50,27) 4.7 uF	CCG1201	C 257	(B,49,35)	CKSSYB104K10
C 194	(B,47,28) 4.7 uF	CCG1201	C 258	(B,56,37)	CKSSYB104K10
C 195	(B,43,28) 4.7 uF	CCG1201	C 259	(B,50,44)	CKSSYB104K10
C 196	(B,41,32)	CKSSYB104K10	C 260	(B,56,38)	CKSSYB104K10
C 197	(B,43,32)	CKSSYB104K10	C 262	(B,51,44)	CKSSYB104K10
C 198	(B,46,32)	CKSSYB104K10	C 263	(B,56,41)	CKSSYB104K10
C 199	(B,45,37)	CKSSYB104K10	C 264	(B,52,44)	CKSSYB104K10
C 200	(B,44,35)	CKSSYB104K10	C 265	(B,56,42)	CKSSYB104K10
C 202	(B,39,60)	CCSSCH6R0D50	C 266	(B,53,44)	CKSSYB104K10
C 203	(B,39,30)	CKSSYB104K10	C 267	(B,53,35)	CKSSYB104K10
C 204	(B,43,31)	CKSSYB104K10	C 268	(B,47,42)	CKSSYB104K10
C 205	(B,47,31)	CKSSYB104K10	C 269	(B,52,35)	CKSSYB104K10
C 206	(B,46,30)	CKSSYB104K10	C 271	(B,47,41)	CKSSYB104K10
C 207	(B,44,30)	CKSSYB104K10	C 272	(B,47,38)	CKSSYB104K10
C 211	(B,34,60)	CKSSYB104K10	C 273	(B,50,35)	CKSSYB104K10
C 212	(B,41,43)	CKSSYB104K10	C 274	(B,51,35)	CKSSYB104K10
C 213	(B,39,44) 4.7 uF	CCG1201	C 277	(B,45,41) 4.7 uF	CCG1201
C 214	(B,39,40) 4.7 uF	CCG1201	C 278	(B,34,56)	CKSSYB104K10
C 215	(B,41,39)	CKSSYB104K10	C 279	(B,56,35)	CKSSYB104K10
C 216	(B,44,38)	CKSSYB104K10	C 280	(B,58,34)	CKSSYB104K10
C 217	(B,44,39)	CKSSYB104K10	C 281	(B,58,32)	CKSSYB105K6R3
C 218	(A,39,29)	CCSSCH120J50	C 282	(B,58,42)	CKSSYB105K6R3
C 219	(A,34,26)	CCSSCH8R0D50	C 283	(B,60,38) 10 uF	CCG1192
C 220	(B,44,44)	CKSSYB104K10	C 289	(B,58,19) 10 uF	CCG1192
C 221	(B,44,45)	CKSSYB104K10	C 301	(A,19,13)	CKSRBY104K50
C 222	(B,44,46)	CKSSYB104K10	C 382	(A,34,33)	CKSSYB104K10
C 223	(B,47,35)	CKSSYB104K10	C 383	(A,38,16)	CKSSYB104K10
C 224	(B,48,33)	CKSSYB104K10	C 401	(B,80,25)	CKSSYB104K10
C 225	(A,47,26)	CCSSCH100D50	C 402	(B,82,25)	CKSSYB104K10
C 226	(B,47,46)	CKSSYB104K10	C 403	(B,74,25)	CKSSYB104K10
C 227	(B,48,46)	CKSSYB104K10	C 404	(B,75,25)	CKSSYB104K10
C 228	(B,49,46)	CKSSYB104K10	C 405	(B,75,27)	CKSSYB104K10
C 229	(A,49,21)	CCSSCH9R0D50	C 406	(B,77,25)	CKSSYB104K10
C 230	(B,51,46)	CKSSYB104K10	C 407	(B,78,25)	CKSSYB104K10
C 231	(B,50,32)	CKSSYB104K10	C 408	(B,78,27)	CKSSYB104K10
C 232	(B,52,46)	CKSSYB104K10	C 409	(A,81,23)	CKSSYB104K10
C 233	(B,51,32)	CKSSYB104K10	C 410	(A,88,25)	CKSSYB104K10
C 234	(B,52,32)	CKSSYB104K10	C 411	(B,74,32)	CKSSYB104K10
C 235	(B,53,32)	CKSSYB104K10	C 412	(B,75,32)	CKSSYB104K10
C 236	(B,54,32)	CKSSYB104K10	C 413	(B,75,29)	CKSSYB104K10
C 237	(B,55,46)	CKSSYB104K10	C 414	(B,77,32)	CKSSYB104K10
C 238	(B,55,32)	CKSSYB104K10	C 415	(B,78,34)	CKSSYB104K10
C 239	(B,56,46)	CKSSYB104K10	C 416	(B,78,29)	CKSSYB104K10
C 240	(B,56,32)	CKSSYB104K10	C 417	(A,81,34)	CKSSYB104K10
C 241	(B,57,46)	CKSSYB104K10	C 418	(A,83,34)	CKSSYB104K10
C 242	(B,60,26) 4.7 uF	CCG1201	C 419	(B,80,51)	CKSSYB104K10
C 243	(B,60,46)	CKSSYB104K10	C 420	(B,82,51)	CKSSYB104K10
C 244	(B,58,45)	CKSSYB104K10	C 421	(B,74,47)	CKSSYB104K10
C 245	(B,58,44)	CKSSYB104K10	C 422	(B,75,47)	CKSSYB104K10
C 246	(B,58,41)	CKSSYB104K10	C 423	(B,75,49)	CKSSYB104K10
C 247	(B,58,40)	CKSSYB104K10	C 424	(B,77,47)	CKSSYB104K10
C 248	(B,58,39)	CKSSYB104K10	C 425	(B,78,47)	CKSSYB104K10
C 249	(B,58,38)	CKSSYB104K10	C 426	(B,79,49)	CKSSYB104K10
C 250	(B,58,36)	CKSSYB104K10	C 427	(A,81,45)	CKSSYB104K10
C 251	(B,58,35)	CKSSYB104K10	C 428	(A,88,47)	CKSSYB104K10
C 252	(B,61,31)	CKSSYB104K10	C 429	(B,74,54)	CKSSYB104K10
C 253	(B,56,43)	CKSSYB104K10	C 430	(B,75,54)	CKSSYB104K10
C 254	(B,58,43)	CKSSYB104K10	C 431	(B,75,51)	CKSSYB104K10
C 255	(B,49,44)	CKSSYB104K10	C 432	(B,77,54)	CKSSYB104K10

	1	2	3	4
	<u>Circuit Symbol and No.</u>	<u>Part No.</u>	<u>Circuit Symbol and No.</u>	<u>Part No.</u>
A	C 433 (B,78,54)	CKSSYB104K10	C 527 (B,79,81)	CCSSCH102J50
	C 434 (B,79,52)	CKSSYB104K10	C 528 (B,76,85)	CCSSCH102J50
	C 435 (A,81,56)	CKSSYB104K10	C 571 (B,34,75)	CKSSYB103K16
	C 436 (A,83,56)	CKSSYB104K10	C 572 (B,32,75) 10 uF	CCG1192
	C 437 (B,82,26)	CKSSYB105K6R3	C 573 (A,63,88)	CCSSCH100D50
	C 438 (B,82,52)	CKSSYB105K6R3	C 574 (A,63,93)	CCSSCH100D50
	C 439 (B,83,28) 10 uF	CCG1192	C 575 (B,56,91)	CKSSYB104K10
	C 440 (B,82,53) 10 uF	CCG1192	C 576 (B,52,91)	CKSSYB104K10
	C 451 (B,68,57)	CKSSYB104K10	C 577 (B,50,91)	CKSSYB104K10
	C 471 (B,81,85)	CKSSYB104K10	C 578 (A,44,94)	CKSSYB104K10
B	C 472 (B,85,86)	CKSSYB104K10	C 579 (A,40,94)	CKSSYB104K10
	C 473 (B,89,85)	CKSSYB104K10	C 580 (A,35,88)	CKSSYB104K10
	C 474 (B,76,88)	CKSRYB105K16	C 581 (A,33,82)	CKSSYB104K10
	C 478 (B,51,75)	CKSSYB105K6R3	C 582 (A,57,94)	CKSSYB104K10
	C 479 (B,51,74)	CKSSYB103K16	C 583 (A,48,94)	CKSSYB104K10
	C 480 (B,52,82)	CKSSYB103K16	C 584 (A,46,94)	CKSSYB104K10
	C 481 (B,52,83)	CKSSYB105K6R3	C 585 (A,42,94)	CKSSYB104K10
	C 482 (B,68,105) 10 uF(C)	CCG1192	C 586 (A,38,94)	CKSSYB104K10
	C 483 (B,70,105) (C)	CKSRYB104K16	C 587 (A,34,86)	CKSSYB104K10
	C 484 (B,80,79)	CKSSYB224K6R3	C 588 (A,33,81)	CKSSYB104K10
	C 485 (B,80,78)	CKSSYB224K6R3		
	C 486 (B,79,78)	CKSSYB224K6R3	C 589 (A,36,76)	CKSSYB104K10
			C 590 (A,60,85)	CKSSYB104K10
	C 487 (B,87,82)	CKSRYB105K16	C 591 (A,60,80)	CKSSYB104K10
	C 488 (B,90,77)	CKSRYB105K16	C 592 (A,60,74)	CKSSYB104K10
C	C 489 (B,80,75)	CKSSYB104K10	C 593 (A,40,70)	CKSSYB104K10
	C 490 (B,71,103) (C)	CKSRYB104K16		
	C 491 (B,77,85)	CKSSYB104K10	C 594 (A,46,70)	CKSSYB104K10
	C 492 (B,84,82)	CKSRYB105K16	C 595 (A,52,70)	CKSSYB104K10
			C 596 (A,55,70)	CKSSYB104K10
	C 493 (B,80,81)	CKSSYB104K10	C 597 (A,49,70)	CKSSYB104K10
	C 494 (B,79,80)	CKSSYB103K25	C 598 (A,43,70)	CKSSYB104K10
	C 495 (B,79,87) 10 uF	CCG1192		
	C 496 (B,75,70)	CKSSYB104K10	C 599 (A,35,85)	CKSSYB104K10
	C 497 (B,72,93) 10 uF	CCG1192	C 600 (A,36,78)	CKSSYB104K10
D	C 498 (B,74,70)	CKSSYB104K10	C 601 (A,35,75)	CKSSYB104K10
	C 499 (B,78,90) 10 uF	CCG1192	C 602 (A,60,77)	CKSSYB104K10
	C 500 (B,74,88) (C)	CKSRYB105K16	C 603 (A,60,83)	CKSSYB104K10
	C 501 (B,73,87)	CKSSYB104K10	C 604 (A,60,87)	CKSSYB104K10
	C 502 (B,70,88)	CKSSYB104K10	C 605 (A,67,86)	CKSYB106K10
	C 503 (B,72,70)	CKSSYB104K10	C 606 (A,60,90)	CKSSYB104K10
			C 607 (A,67,84)	CKSYB106K10
	C 504 (B,70,86)	CKSSYB104K10	C 609 (A,85,73) 4.7 uF	CCG1201
	C 505 (B,69,70)	CKSSYB104K10		
	C 506 (B,67,70)	CKSSYB104K10	C 610 (A,76,75) 4.7 uF	CCG1201
	C 507 (B,65,91)	CCSSCH4R0C50	C 611 (A,67,71)	CKSQYB475K6R3
	C 508 (B,68,89)	CCSSCH5R0C50	C 612 (A,76,71)	CKSQYB475K6R3
			C 614 (B,39,69) 10 uF	CCG1192
	C 509 (B,63,81)	CKSSYB104K10	C 616 (B,30,75)	CKSRYB105K10
	C 510 (B,63,80)	CKSSYB104K10		
E	C 511 (B,63,84)	CKSSYB103K16	C 617 (B,33,80)	CCSRCH182J50
	C 512 (B,72,89) 10 uF	CCG1192	C 618 (B,33,68)	CCSRCH182J50
	C 513 (B,83,94)	CKSSYB104K10	C 630 (B,45,77)	CCSSCH470J50
			C 664 (B,65,97)	CCSSCH101J50
	C 514 (B,69,97) 10 uF	CCG1192	C 665 (B,76,108)	CCSSCH101J50
	C 515 (B,87,94)	CKSSYB104K10		
	C 516 (B,90,94)	CKSSYB104K10		
	C 517 (B,85,100) 10 uF	CCG1192		
	C 518 (B,81,99) 10 uF	CCG1192		
F	C 519 (B,88,100) 10 uF	CCG1192		
	C 520 (B,86,100) 10 uF	CCG1192		
	C 521 (B,92,100) 10 uF	CCG1192		
	C 522 (B,90,100) 10 uF	CCG1192		
	C 524 (A,81,100) (C)	CEVW330M10		
C 525 (A,75,100) (C)	CEVW330M10			
C 526 (B,79,75)	CCSSCH102J50			

B
Unit Number : CWN7320(A)
Unit Number : CWN7321(B)
Unit Number : CWN7638(C)
Unit Name : AV Unit

MISCELLANEOUS

5		6		7		8	
<u>Circuit Symbol and No.</u>		<u>Part No.</u>		<u>Circuit Symbol and No.</u>		<u>Part No.</u>	
IC 1003	(B,48,136) IC	NJW4830U2		D 1071	(A,73,113) Diode	DAN202UM	
IC 1111	(A,90,129) IC	PA2030A					
IC 1141	(B,144,50) IC	AN33012UA		D 1072	(A,68,116) Diode	DA2J101	
IC 1191	(A,103,52) IC	NJM2856DL3-05		D 1111	(B,129,142) Diode	CRG03	A
IC 1221	(B,122,88) IC	S-812C33AUA-C2N		D 1131	(A,102,95) Diode	CMS03	
				D 1132	(A,106,95) Diode	CMS03	
IC 1241	(A,164,87) IC	NJM2388F84		D 1141	(A,140,71) Diode	RB080L-30	
IC 1251	(A,71,49) IC(A,C)	PEQ208A8					
	(A,71,49) IC(B)	PEQ209A8		D 1161	(A,147,71) Diode	RB080L-30	
IC 1252	(B,76,52) Reset IC	S-80829CNMC-B80		D 1211	(A,123,40) Diode(C)	1SR154-400	
IC 1441	(B,79,106) IC	PM9012A		D 1212	(A,124,50) Diode(C)	HZU6R2(B3)	
IC 1471	(B,74,94) IC	TC4052BFT		D 1221	(B,111,92) Diode	DZ2J180M0	
				D 1222	(B,105,96) Diode	1SR154-400	
IC 1511	(A,85,80) Dual OP-AMP	NJM4565V		D 1251	(B,77,54) Diode	DA2J101	
IC 1531	(A,72,81) Dual OP-AMP	NJM4565V		D 1601	(A,55,96) Diode	RN731VN	
IC 1551	(B,162,14) Dual OP-AMP(C)	NJM4565V					
IC 1561	(A,85,94) Dual OP-AMP	NJM4565V		D 1602	(A,55,89) Diode	RN731VN	B
IC 1601	(A,46,80) IC	TDA7706		D 1604	(A,36,96) Diode	EZAEG2A50AX	
IC 1661	(B,117,64) IC	OZ529IEGN		D 1661	(A,122,63) Diode	RB060M-30	
				D 1751	(B,73,14) Diode	1SR154-400	
IC 1741	(A,30,51) Regulator IC	NJM2846DL3-05		L 1001	(A,115,112) Choke Coil 600 uH	CTH1221	
IC 1751	(B,70,24) IC	NJM2886DL3-33					
IC 1761	(B,61,24) Regulator IC	NJM2856DL3-18		L 1131	(A,116,93) Choke Coil 6.8 uH	CTH1434	
IC 1791	(B,106,34) IC	WM8761BGED		L 1141	(A,136,62) Choke Coil 10 uH	CTH1446	
IC 1861	(A,153,90) Regulator IC	NJM2872BF33		L 1161	(A,151,62) Choke Coil 10 uH	CTH1446	
				L 1601	(A,56,92) Chip Coil	LCTAWR15J2520	
IC 1871	(B,155,91) IC	BA10358F		L 1602	(A,48,91) Inductor	CTF1786	
IC 1872	(A,149,105) IC	UBX-G6010-ST					
Q 1001	(B,91,93) Transistor	LTC014YEB		L 1603	(A,44,92) Inductor	CTF1786	
Q 1011	(B,103,69) Transistor	LSCR523UB		L 1604	(A,52,93) Chip Coil	LCTAWR27J2520	C
Q 1021	(B,100,69) Chip Transistor	HN1C01FU		L 1605	(A,38,93) Inductor	CTF1389	
				L 1608	(A,35,91) Inductor	LCYC220K1608	
Q 1022	(B,148,142) Chip Transistor	HN1A01FU		L 1609	(A,59,85) Inductor	CTF1786	
Q 1031	(B,152,138) Transistor	LTC014EEB					
Q 1041	(B,113,138) Transistor	LSCR523UB		L 1610	(A,59,84) Inductor	CTF1786	
Q 1042	(B,110,138) Transistor	LSCR523UB		L 1611	(A,34,83) Chip Coil	LCTAW470J2520	
Q 1061	(B,60,114) Transistor	LSCR523UB		L 1612	(A,37,79) Inductor	CTF1786	
				L 1613	(A,41,67) Inductor	CTF1786	
Q 1071	(A,70,109) Transistor	DRA9A24E0		L 1614	(A,55,68) Inductor	CTF1786	
Q 1072	(A,70,111) Chip Transistor	RN4983					
Q 1111	(B,70,120) Chip Transistor	RN1903		L 1616	(A,50,67) Inductor	CTF1786	
Q 1141	(A,134,73) FET	SFT1342		L 1618	(A,36,89) Inductor	LCYB68NJ1608	
Q 1161	(A,152,73) FET	SFT1342		L 1619	(A,52,90) Inductor	CTF1794	D
				L 1661	(A,120,58) Choke Coil 33 uH	CTH1417	
Q 1211	(A,117,43) Transistor(C)	2SD2118		L 1662	(B,122,67) Inductor	CTF1793	
Q 1212	(A,126,47) Transistor(C)	DRC9A14E0					
Q 1221	(B,117,96) Transistor	2SB1184F5		L 1791	(B,102,37) Ferrite Bead	CTF1528	
Q 1222	(B,109,97) Transistor	2SD1664		L 1792	(B,111,38) Ferrite Bead	CTF1528	
Q 1231	(B,117,83) Transistor	LTC014EEB		L 1801	(B,149,121) Inductor	CTF1545	
				L 1871	(A,155,103) SMD Ferrite Bead	CTF1806	
Q 1232	(B,122,81) Transistor	LSAR523UB		L 1872	(A,155,109) Inductor	LCYB10NJ1005	
Q 1361	(A,154,19) Chip Transistor(C)	RN4982					
Q 1362	(A,152,16) Chip Transistor(C)	HN1C03FU		L 1874	(A,168,105) Inductor	LCYC1R0K2125	
Q 1471	(B,74,89) Transistor	LTC014EEB		L 1875	(A,172,107) Inductor	CTF1736	
Q 1472	(B,62,111) Transistor	LSCR523UB		L 1878	(B,97,22) Chip Beads	VTL1126	
				L 1879	(B,97,26) Chip Beads	VTL1126	E
Q 1581	(B,35,119) Chip Transistor	HN1C03FU		X 1251	(A,91,43) Resonator 3.932 16 MHz	CSS1772	
Q 1582	(B,46,119) Chip Transistor	HN1C03FU					
Q 1583	(A,160,19) Transistor(C)	LSCR523UB		X 1601	(A,58,77) Resonator 36.480 MHz	CSS1805	
Q 1871	(B,168,96) Transistor	2SB1132		X 1871	(A,155,98) TCXO 26 MHz	CWX4207	
D 1001	(B,127,117) Diode	CRG03		X 1872	(A,144,114) Resonator 32.768 kHz	CSS1807	
				F 1871	(A,151,113) Filter	CTF1830	
D 1002	(B,125,117) Diode	CRG03		△ P1141	(A,144,90) Fuse 6.3 A	CEK1262	
D 1011	(B,108,74) Diode	HZU7L(C3)		△ P1181	(A,139,20) Fuse 1.25 A(C)	CEK1281	
D 1012	(B,108,71) Diode	DZ2J200M0		△ P1182	(A,142,18) Fuse 3 A(C)	CEK1286	
D 1021	(B,101,73) Diode	HZU7L(A1)					
D 1022	(B,145,142) Diode	DAN202UM		△ P1201	(A,108,62) Fuse 1.5 A	CEK1282	
				△ P1211	(A,124,45) Fuse 2.5 A(C)	CEK1285	
D 1031	(B,155,141) Diode	DA2J101		△ P1392	(A,23,5) Fuse 1 A(C)	CEK1254	F
D 1041	(B,119,139) Diode	RKZ5.6KG(B2)		P 1581	(B,52,121) Poly Switch	FMSD075-24R	
D 1061	(B,65,114) Diode	DA2J101		P 1601	(B,20,97) Surge Absorber	IMSA-6803-01Y900	
D 1062	(B,63,118) Diode	RKZ8.2KG(B2)					

1

2

3

4

Circuit Symbol and No.**Part No.****Circuit Symbol and No.****Part No.**

BZ1421	(A,49,29) Buzzer	CPV1062	R 1211	(A,123,47) (C)	RS1/10SR121J
CN1001	(A,100,81) Connector	CKS4674	R 1212	(A,114,48) (C)	RS1/16SS473J
CN1361	(A,151,7) Connector(C)	VKN1620	R 1213	(A,124,48) (C)	RS1/16SS220J
CN1381	(A,124,16) Connector(C)	CKS6095	R 1221	(B,117,89)	RS1/16SS391J
CN1392	(A,26,18) Connector(C)	CKS4997			
			R 1222	(B,109,94)	RS1/16SS911J
CN1401	(A,147,28) Connector	CKS5586	R 1231	(B,120,83)	RS1/16SS102J
CN1771	(A,86,22) Connector	CKS6346	R 1232	(B,122,83)	RS1/16SS103J
JA1001	(A,123,137) Plug	CKM1586	R 1253	(B,57,56)	RS1/16SS104J
JA1581	(A,41,107) Pin Jack	YKB5011	R 1262	(B,78,56)	RS1/16SS104J
JA1601	(A,13,117) Antenna Jack	YKS5041			
			R 1263	(B,84,48)	RS1/16SS104J
JA1801	(A,147,129) Jack	CKN1040	R 1264	(B,84,49)	RS1/16SS104J
JA1871	(A,161,123) Connector	CKS5702	R 1267	(A,85,47)	RS1/16SS100J
JA1911	(A,63,127) Jack	CKS6437	R 1269	(B,83,42)	RS1/16SS104J
			R 1270	(B,79,47)	RS1/16SS102J

RESISTORS

R 1001	(B,92,96)	RS1/16SS103J	R 1271	(B,84,41)	RS1/16SS473J
R 1002	(B,91,91)	RS1/16SS103J	R 1273	(A,86,50) (C)	RS1/16SS681J
R 1014	(B,107,68)	RS1/16SS473J	R 1274	(B,84,50) (C)	RS1/16SS273J
R 1015	(B,107,67)	RS1/16SS104J	R 1275	(A,89,61)	RS1/16SS472J
R 1016	(B,107,70)	RS1/16SS103J			
			R 1276	(A,88,61)	RS1/16SS472J
R 1017	(B,106,71)	RS1/16SS103J	R 1277	(A,85,62) (C)	RS1/16SS473J
R 1021	(B,114,121) 1 kohm	CCN1326	R 1278	(B,81,37)	RS1/16SS473J
R 1022	(B,104,73)	RS1/16SS472J	R 1279	(B,81,34)	RS1/16SS472J
R 1023	(B,103,73)	RS1/16SS473J			
R 1024	(B,100,72)	RS1/16SS103J	R 1280	(A,81,34)	RS1/16SS471J
			R 1281	(A,82,65)	RS1/16SS473J
R 1026	(B,140,143) 10 kohm	CCN1327	R 1282	(A,81,65)	RS1/16SS473J
R 1027	(B,147,145)	RS1/16SS473J	R 1283	(A,80,65)	RS1/16SS473J
R 1028	(B,147,140)	RS1/16SS473J	R 1284	(B,79,63)	RS1/16SS473J
R 1031	(B,152,142) 1 kohm	CCN1326			
R 1032	(B,154,140)	RS1/16SS103J	R 1285	(A,77,35)	RS1/16SS101J
			R 1286	(B,73,62)	RS1/16SS104J
R 1033	(B,158,138)	RS1/16SS472J	R 1287	(B,74,37)	RS1/16SS103J
R 1041	(B,112,141)	RS1/16SS473J	R 1288	(A,77,68)	RS1/16SS122J
R 1042	(B,116,139)	RS1/16SS104J	R 1289	(B,70,36)	RS1/16SS104J
R 1043	(B,110,141)	RS1/16SS473J			
R 1044	(B,121,141)	RS1/16SS472J	R 1290	(B,79,66)	RS1/16SS122J
			R 1291	(B,71,37) (A,B)	RS1/16SS473J
R 1045	(B,124,139) 1 kohm	CCN1326	R 1292	(B,71,39) (C)	RS1/16SS473J
R 1061	(B,62,113)	RS1/16SS103J	R 1294	(A,75,65)	RS1/16SS101J
R 1062	(B,60,117)	RS1/16SS104J	R 1295	(B,72,39)	RS1/16SS473J
R 1063	(B,61,117)	RS1/16SS473J	R 1296	(B,73,37) (A,C)	RS1/16SS473J
R 1071	(A,68,113)	RS1/16SS102J	R 1297	(B,73,39) (B)	RS1/16SS473J
R 1111	(B,72,118)	RS1/16SS103J	R 1300	(A,68,35)	RS1/16SS473J
R 1114	(B,73,120)	RS1/16SS221J	R 1301	(B,67,36)	RS1/16SS473J
R 1118	(B,73,126)	RS1/16SS473J	R 1302	(A,69,66)	RS1/16SS473J
R 1142	(B,134,53)	RS1/16SS511J	R 1303	(A,69,67)	RS1/16SS473J
R 1143	(B,134,52)	RS1/16SS3302D	R 1304	(A,65,64)	RS1/16SS473J
R 1144	(B,134,51)	RS1/16SS4301D	R 1305	(A,59,33)	RS1/16SS104J
R 1145	(B,132,51)	RS1/16SS3601D	R 1306	(A,59,34)	RS1/16SS104J
R 1147	(B,135,49)	RS1/16SS153J	R 1307	(A,55,47)	RS1/16SS221J
R 1150	(B,131,53)	RS1/16SS101J	R 1308	(A,55,45)	RS1/16SS221J
R 1151	(B,131,55)	RS1/16SS103J	R 1309	(A,55,46)	RS1/16SS221J
R 1152	(B,136,55)	RS1/16SS103J	R 1310	(A,52,44)	RS1/16SS104J
R 1161	(B,150,54)	RS1/16SS224J	R 1311	(A,55,44)	RS1/16SS221J
R 1162	(B,153,48)	RS1/16SS103J	R 1314	(A,54,41)	RS1/16SS223J
R 1164	(B,154,49)	RS1/16SS1101D	R 1315	(A,56,41)	RS1/16SS223J
R 1165	(B,155,48)	RS1/16SS2701D	R 1316	(A,55,42)	RS1/10SR0R0J
R 1166	(B,154,50)	RS1/16SS2702D	R 1317	(A,86,64)	RS1/16SS222J
R 1167	(B,154,51)	RS1/16SS511J	R 1319	(A,52,46)	RS1/16SS104J
R 1168	(B,147,55)	RS1/16SS101J	R 1320	(A,74,65)	RS1/16SS101J
R 1170	(B,134,55)	RS1/16SS101J	R 1324	(A,86,55)	RS1/16SS471J
			R 1325	(A,86,54)	RS1/16SS471J
			R 1331	(A,67,35)	RS1/16SS104J

1

2

3

4

5		6		7		8	
<u>Circuit Symbol and No.</u>		<u>Part No.</u>		<u>Circuit Symbol and No.</u>		<u>Part No.</u>	
R 1332	(A,54,52)	RS1/16SS101J		R 1537	(A,69,78)	RS1/16SS473J	
R 1333	(A,55,53)	RS1/16SS101J		R 1538	(A,75,78)	RS1/16SS473J	
R 1334	(A,55,55)	RS1/16SS101J		R 1551	(B,62,83)	RS1/10SR0R0J	
R 1336	(A,85,34)	RS1/16SS472J		R 1552	(B,62,85)	RS1/10SR0R0J	A
R 1338	(A,84,63)	RS1/16SS104J		R 1553	(B,66,105)	RS1/10SR0R0J	
R 1344	(A,83,34)	RS1/16SS471J		R 1555	(B,160,9) (C)	RS1/16SS473J	
R 1345	(A,82,34)	RS1/16SS471J		R 1556	(B,156,16) (C)	RS1/16SS473J	
R 1346	(B,83,33)	RS1/16SS472J		R 1557	(B,158,13) (C)	RS1/16SS473J	
R 1348	(A,94,55)	RS1/16SS104J		R 1558	(B,158,15) (C)	RS1/16SS473J	
R 1349	(A,93,55)	RS1/16SS104J		R 1559	(B,163,8) (C)	RS1/16SS473J	
R 1350	(A,92,55)	RS1/16SS104J		R 1560	(B,163,19) (C)	RS1/16SS473J	
R 1351	(A,91,55)	RS1/16SS104J		R 1561	(A,79,92)	RS1/16SS4702D	
R 1355	(B,84,57)	RS1/16SS102J		R 1562	(A,90,92)	RS1/16SS4702D	
R 1361	(A,155,20) (C)	RS1/16SS102J		R 1563	(A,80,92)	RS1/16SS4702D	
R 1362	(A,154,16) (C)	RS1/16SS472J		R 1564	(A,89,92)	RS1/16SS4702D	B
R 1363	(A,150,16) (C)	RS1/16SS472J		R 1565	(A,79,95)	RS1/16SS4702D	
R 1364	(A,156,13) (C)	RS1/16SS0R0J		R 1566	(A,90,94)	RS1/16SS4702D	
R 1366	(B,144,6) (C)	RS1/16SS471J		R 1567	(A,82,91)	RS1/16SS4702D	
R 1367	(B,144,9) (C)	RS1/16SS221J		R 1568	(A,88,91)	RS1/16SS4702D	
R 1368	(B,146,9) (C)	RS1/16SS221J		R 1575	(B,160,13) (C)	RS1/16SS473J	
R 1369	(B,147,10) (C)	RS1/16SS102J		R 1576	(B,160,15) (C)	RS1/16SS473J	
R 1370	(B,148,9) (C)	RS1/16SS221J		R 1577	(B,166,9) (C)	RS1/16SS0R0J	
R 1371	(B,149,10) (C)	RS1/16SS221J		R 1578	(B,164,20) (C)	RS1/16SS0R0J	
R 1378	(A,150,21)	RS1/10SR0R0J		R 1581	(B,36,116)	RS1/16SS821J	
R 1379	(B,146,15)	RS1/10SR0R0J		R 1582	(B,33,116)	RS1/16SS821J	C
R 1381	(B,123,19) (C)	RS1/10SR473J		R 1583	(B,34,115)	RS1/16SS472J	
R 1382	(B,121,19) (C)	RS1/10SR473J		R 1584	(B,35,115)	RS1/16SS472J	
R 1392	(A,36,21) (C)	RS1/16SS0R0J		R 1585	(B,40,119)	RS1/10SR223J	
R 1393	(A,36,19) (C)	RS1/16SS0R0J		R 1586	(B,31,119)	RS1/10SR223J	
R 1394	(A,36,6)	RS1/16SS0R0J		R 1589	(B,47,116)	RS1/16SS821J	
R 1421	(B,71,62)	RS1/16SS102J		R 1590	(B,44,116)	RS1/16SS821J	
R 1471	(B,68,96)	RS1/16SS104J		R 1591	(B,45,115)	RS1/16SS472J	
R 1472	(B,80,93)	RS1/16SS104J		R 1592	(B,46,115)	RS1/16SS472J	
R 1473	(B,68,93)	RS1/16SS104J		R 1593	(B,49,119)	RS1/10SR223J	
R 1474	(B,80,97)	RS1/16SS104J		R 1594	(B,41,119)	RS1/10SR223J	
R 1475	(B,68,97)	RS1/16SS104J		R 1599	(A,164,23) (C)	RS1/16SS471J	D
R 1476	(B,80,96)	RS1/16SS104J		R 1600	(A,162,23) (C)	RS1/16SS331J	
R 1477	(B,68,92)	RS1/16SS104J		R 1605	(A,41,95)	RS1/16SS105J	
R 1478	(B,80,94)	RS1/16SS104J		R 1606	(A,58,96)	RS1/16SS221J	
R 1484	(B,64,112)	RS1/16SS331J		R 1607	(A,58,89)	RS1/16SS751J	
R 1485	(B,70,91)	RS1/16SS473J		R 1608	(A,36,93)	RS1/16SS152J	
R 1486	(B,64,111)	RS1/16SS471J		R 1609	(A,39,89)	RS1/16SS105J	
R 1489	(B,68,95)	RS1/16SS104J		R 1610	(A,35,86)	RS1/16SS471J	
R 1490	(B,80,95)	RS1/16SS104J		R 1611	(A,36,85)	RS1/16SS330J	
R 1505	(B,63,105)	RS1/16SS102J		R 1612	(A,34,81)	RS1/16SS681J	
R 1506	(A,162,14) (C)	RS1/16SS102J		R 1614	(B,36,73)	RS1/4SA5R6J	
R 1511	(A,80,79)	RS1/16SS473J		R 1615	(B,34,73)	RS1/4SA5R6J	E
R 1512	(A,90,78)	RS1/16SS473J		R 1616	(A,41,73)	RS1/16SS101J	
R 1513	(A,81,78)	RS1/16SS473J		R 1617	(A,40,73)	RS1/16SS102J	
R 1514	(A,89,77)	RS1/16SS473J		R 1618	(A,40,75)	RS1/16SS103J	
R 1515	(A,80,81)	RS1/16SS473J		R 1621	(A,53,66)	RS1/16SS680J	
R 1516	(A,90,80)	RS1/16SS473J		R 1622	(B,32,73)	RS1/4SA5R6J	
R 1517	(A,82,77)	RS1/16SS473J		R 1623	(B,40,96)	RS1/10SR0R0J	
R 1518	(A,88,77)	RS1/16SS473J		R 1662	(B,124,63)	RS1/16SS3902D	
R 1531	(A,66,79)	RS1/16SS473J		R 1663	(B,123,61)	RS1/16SS1201D	
R 1532	(A,77,78)	RS1/16SS473J		R 1664	(B,122,61)	RS1/16SS1002D	
R 1533	(A,68,79)	RS1/16SS473J		R 1667	(B,111,68)	RS1/16SS104J	F
R 1534	(A,76,78)	RS1/16SS473J		R 1668	(B,110,67)	RS1/16SS101J	
R 1535	(A,66,81)	RS1/16SS473J		R 1669	(B,111,64)	RS1/16SS0R0J	
R 1536	(A,77,81)	RS1/16SS473J		R 1670	(B,112,67)	RS1/16SS104J	
				R 1671	(B,112,69)	RS1/16SS104J	

5		6	7		8	
<u>Circuit Symbol and No.</u>		<u>Part No.</u>	<u>Circuit Symbol and No.</u>		<u>Part No.</u>	
C 1243	(A,164,95)	CKSYB105K35	C 1518	(A,87,77)	CCSSCH330J50	
C 1244	(A,161,95)	CKSYB475K16	C 1519	(A,88,82)	CKSSYB104K10	
C 1253	(B,79,52)	CKSRYB105K10	C 1520	(A,88,83)	CKSRYB105K10	
C 1254	(A,87,45)	CCSRCH150J50	C 1531	(A,68,75) 10 uF	DCH1201	A
C 1255	(A,85,45)	CCSSCH150J50	C 1532	(A,76,75) 10 uF	DCH1201	
C 1256	(A,85,58)	CKSSYB104K10	C 1533	(A,70,75) 10 uF	DCH1201	
C 1257	(A,85,37)	CKSSYB104K10	C 1534	(A,74,75) 10 uF	DCH1201	
C 1258	(A,85,43)	CKSSYB104K10	C 1535	(A,67,81)	CCSSCH330J50	
C 1259	(B,80,44)	CKSQYB475K6R3	C 1536	(A,76,81)	CCSSCH330J50	
C 1260	(B,80,40)	CKSSYB104K10	C 1537	(A,70,78)	CCSSCH330J50	
C 1261	(A,77,33)	CKSSYB103K16	C 1538	(A,74,78)	CCSSCH330J50	
C 1262	(A,71,35)	CKSSYB104K10	C 1539	(A,75,83)	CKSSYB104K10	
C 1263	(A,69,64)	CKSSYB104K10	C 1540	(A,75,84)	CKSRYB105K10	
C 1264	(A,56,43)	CKSSYB104K10	C 1551	(B,158,11) 10 uF(C)	DCH1201	B
C 1363	(B,136,11) 10 uF(C)	DCH1201	C 1552	(B,152,15) 10 uF(C)	DCH1201	
C 1364	(B,137,9) (C)	CKSSYB104K16	C 1553	(B,156,13) 10 uF(C)	DCH1201	
C 1368	(A,148,11) (C)	CCSSCH221J50	C 1554	(B,156,15) 10 uF(C)	DCH1201	
C 1374	(A,74,67)	CCSSCH820J50	C 1555	(B,163,9) (C)	CCSSCH330J50	
C 1375	(A,60,66)	CCSSCH390J50	C 1556	(B,163,18) (C)	CCSSCH330J50	
C 1395	(A,28,4)	CKSRYB103K50	C 1557	(B,159,13) (C)	CCSSCH330J50	
C 1441	(B,69,104)	CKSQYB105K16	C 1558	(B,159,15) (C)	CCSSCH330J50	
C 1442	(B,69,108)	CKSQYB105K16	C 1559	(B,164,17) (C)	CKSSYB104K10	
C 1443	(B,69,107)	CKSQYB105K16	C 1560	(B,166,17) (C)	CKSRYB105K10	
C 1447	(B,75,99)	CKSQYB105K16	C 1561	(A,81,88) 10 uF	DCH1201	
C 1448	(B,70,115)	CKSQYB105K16	C 1562	(A,88,88) 10 uF	DCH1201	C
C 1449	(A,73,104)	CKSQYB105K16	C 1563	(A,83,88) 10 uF	DCH1201	
C 1450	(A,71,104)	CKSQYB105K16	C 1564	(A,86,88) 10 uF	DCH1201	
C 1451	(B,85,96) (C)	CKSQYB105K16	C 1565	(A,80,95)	CCSSCH330J50	
C 1452	(B,83,96) (C)	CKSQYB105K16	C 1566	(A,89,94)	CCSSCH330J50	
C 1453	(B,76,99)	CKSQYB105K16	C 1567	(A,83,91)	CCSSCH330J50	
C 1454	(B,72,115)	CKSQYB105K16	C 1568	(A,87,91)	CCSSCH330J50	
C 1455	(B,78,99)	CKSQYB105K16	C 1569	(A,88,96)	CKSSYB104K10	
C 1456	(B,74,115)	CKSQYB105K16	C 1570	(A,87,98)	CKSRYB105K10	
C 1457	(B,81,100)	CKSQYB105K16	C 1571	(A,163,20) (C)	CKSSYB105K6R3	
C 1458	(B,76,115)	CKSQYB105K16	C 1573	(A,163,14) (C)	CKSSYB105K6R3	
C 1459	(A,78,107)	CKSQYB105K16	C 1581	(B,38,115) 10 uF	DCH1165	D
C 1460	(B,78,115)	CKSQYB105K16	C 1582	(B,31,115) 10 uF	DCH1165	
C 1464	(B,84,113) 10 uF	CCG1192	C 1585	(B,49,115) 10 uF	DCH1165	
C 1465	(B,84,111)	CKSSYB104K10	C 1586	(B,42,115) 10 uF	DCH1165	
C 1467	(B,88,110) 10 uF	CCG1192	C 1601	(A,44,95)	CCSSCH330J50	
C 1468	(B,87,110)	CKSSYB104K10	C 1602	(A,41,93)	CKSRYB103K50	
C 1469	(A,83,113) 10 uF	CCG1192	C 1603	(A,54,94)	CCSSCH6R0D50	
C 1470	(A,81,113) 10 uF	CCG1192	C 1604	(A,57,94)	CKSSYB103K16	
C 1471	(A,68,90)	CKSQYB225K10	C 1605	(A,47,90)	CKSSYB104K10	
C 1472	(A,74,90)	CKSQYB225K10	C 1606	(A,44,90)	CKSSYB104K10	
C 1473	(A,70,90)	CKSQYB225K10	C 1609	(A,57,91)	CKSSYB103K16	
C 1474	(A,72,90)	CKSQYB225K10	C 1610	(A,45,90)	CKSSYB104K10	E
C 1475	(B,71,98)	CKSRYB104K50	C 1612	(A,58,91)	CKSSYB103K16	
C 1476	(B,62,107)	CKSRYB105K10	C 1613	(A,45,88)	CKSSYB103K16	
C 1478	(B,61,108)	CKSSYB104K10	C 1614	(A,42,90)	CKSSYB103K16	
C 1479	(B,64,109)	CKSRYB105K10	C 1615	(A,41,90) 10 uF	CCG1192	
C 1481	(A,79,98)	CCSSCH820J50	C 1616	(A,39,91)	CKSSYB223K16	
C 1482	(A,73,118)	CCSSCH820J50	C 1617	(A,51,90)	CKSSYB103K16	
C 1511	(A,81,74) 10 uF	DCH1201	C 1618	(A,49,92) 4.7 uF	CCG1212	
C 1512	(A,89,74) 10 uF	DCH1201	C 1619	(A,50,89)	CKSSYB223K16	
C 1513	(A,83,74) 10 uF	DCH1201	C 1620	(A,53,86)	CKSSYB223K16	
C 1514	(A,87,74) 10 uF	DCH1201	C 1621	(A,41,68)	CCSRCH390J50	F
C 1515	(A,81,81)	CCSSCH330J50	C 1622	(A,56,87)	CKSRYB224K16	
C 1516	(A,89,80)	CCSSCH330J50	C 1623	(A,56,85)	CKSSYB104K10	
C 1517	(A,83,77)	CCSSCH330J50	C 1624	(A,34,88) 10 uF	CCG1192	

	1	2	3	4
	<u>Circuit Symbol and No.</u>	<u>Part No.</u>	<u>Circuit Symbol and No.</u>	<u>Part No.</u>
A	C 1625 (A,55,83)	CKSRYB105K10	C 1874 (B,167,93)	CKSSYB103K16
	C 1626 (A,37,86)	CKSSYB104K10	C 1875 (A,165,105)	CCSSCH101J50
	C 1627 (A,58,81)	CKSSYB472K25	C 1876 (B,163,96)	CCSSCH101J50
	C 1628 (A,58,82)	CKSSYB472K25	C 1877 (A,171,105)	CKSSYB102K50
	C 1629 (A,34,85)	CCSSCH101J50	C 1878 (A,170,105)	CKSSYB103K16
B	C 1630 (A,39,87)	CKSSYB104K10	C 1879 (B,140,94)	CKSSYB104K10
	C 1631 (A,33,85)	CKSSYB103K16	C 1880 (A,170,108)	CKSSYB104K10
	C 1632 (A,58,79)	CCSSCH8R0D50	C 1881 (A,160,111)	CCSSCH470J50
	C 1633 (A,55,80)	CKSSYB104K10	C 1882 (A,156,104)	CKSRYB105K10
	C 1634 (A,34,80)	CCSSCH820J50	C 1883 (A,156,105)	CKSRYB105K10
C	C 1635 (A,37,78)	CKSSYB104K10	C 1884 (A,156,107)	CKSRYB105K10
	C 1636 (A,35,75)	CKSRYB474K10	C 1885 (A,156,108)	CKSRYB105K10
	C 1637 (A,58,74)	CCSSCH8R0D50	C 1886 (A,149,99)	CKSSYB105K6R3
	C 1638 (A,36,73)	CKSSYB104K10	C 1887 (A,151,111)	CKSSYB104K10
	C 1641 (A,53,68) 2.2 uF	CCG1205	C 1888 (A,145,116)	CCSSCH120J50
D	C 1642 (A,38,73)	CKSSYB104K10	C 1889 (A,143,116)	CCSSCH100D50
	C 1645 (A,51,69)	CKSSYB104K10	C 1890 (A,147,112)	CKSRYB105K10
	C 1646 (A,43,73)	CKSSYB104K10	C 1891 (A,147,100) 2.2 uF	CCG1205
	C 1647 (A,49,68) 2.2 uF	CCG1205	C 1892 (A,145,99)	CKSSYB105K6R3
	C 1648 (A,49,73)	CKSSYB104K10	C 1893 (A,144,99)	CKSSYB105K6R3
E	C 1649 (A,38,75)	CKSSYB102K50	C 1894 (A,156,100)	CKSSYB102K50
	C 1650 (A,46,90)	CKSSYB223K16	C 1895 (A,156,110)	CCSSCJ3R0C50
	C 1651 (A,38,89)	CCSSCJ3R0C50	C 1896 (A,143,101)	CKSRYB105K10
	C 1652 (A,37,80)	CKSSYB104K10	C 1897 (A,143,103)	CKSRYB105K10
	C 1653 (A,35,79)	CKSSYB104K10	C 1898 (A,143,110) 2.2 uF	CCG1205
F	C 1654 (B,21,97)	CCSSCK2R0C50	C 1899 (B,140,107)	CKSRYB105K10
	C 1655 (A,41,96)	CCSSCK2R0C50	C 1900 (B,138,107)	CCSRCH102J50
	C 1661 (B,121,63)	CKSSYB681K50	C 1911 (B,55,129)	CKSRYB104K50
	C 1662 (A,114,68) 47 uF	CCG1251	C 1912 (B,70,125)	CKSRYB104K50
	C 1663 (B,116,58) 47 uF	CCG1251	C 1913 (A,89,29)	CKSSYB104K10
G	C 1664 (B,111,63)	CKSSYB104K10		
	C 1665 (A,121,66)	CKSRYB105K16		
	C 1667 (B,115,71)	CKSYB225K25		
	C 1668 (B,111,65)	CKSSYB103K16		
	C 1669 (B,121,69)	CKSSYB103K25		
H	C 1670 (A,114,61) 47 uF	CCG1251		
	C 1671 (A,122,72)	CEVW100M16		
	C 1672 (A,122,68) 10 uF	CCG1223		
	C 1741 (A,34,59) 4.7 uF	CCG1222		
	C 1743 (A,29,60) 4.7 uF	CCG1201		
I	C 1751 (A,65,15) Capacitor	CEVW220M16		
	C 1752 (B,71,17)	CKSRYB105K10		
	C 1761 (B,58,17) 4.7 uF	CCG1201		
	C 1762 (B,61,17)	CKSRYB105K10		
	C 1773 (B,80,22) 10 uF	CCG1192		
J	C 1774 (B,77,18) 10 uF	CCG1192		
	C 1776 (A,84,30)	CKSRYB105K16		
	C 1778 (A,71,24)	CEVW101M16		
	C 1782 (A,85,18)	CKSSYB104K10		
	C 1791 (A,104,38) 10 uF	CCG1192		
K	C 1792 (A,105,37)	CKSSYB104K10		
	C 1793 (B,107,40)	CKSSYB104K10		
	C 1795 (B,104,40) 10 uF	CCG1192		
	C 1797 (B,100,26)	CCSSCH470J50		
	C 1799 (B,101,23)	CCSSCH470J50		
L	C 1861 (A,156,89)	CKSRYB105K10		
	C 1862 (A,150,90)	CKSRYB105K10		
	C 1871 (A,153,98)	CKSRYB105K10		
	C 1872 (A,154,101)	CKSSYB104K10		
	C 1873 (B,165,93)	CKSSYB104K10		



Unit Number : YWX5033(C)

Unit Name : DVD Core Unit

MISCELLANEOUS

IC 1002 (B,15,13) Regulator IC	S-1133B50-U5
IC 1003 (B,37,11) IC	S-1200B50-M5
IC 1004 (B,64,28) IC	NJM2855DL1-33
IC 1251 (A,12,42) IC	BA5839FP
IC 1401 (B,27,41) Flash ROM Unit	CWW5043
IC 1402 (B,45,28) Flash ROM Unit	CWW5044
IC 1480 (A,64,30) RAM IC	M12L64164A-5TG2Y
IC 1501 (A,39,33) IC	MN2DS0018MA
IC 1801 (B,34,16) D/A Converter	PCM1753DBQ
IC 1953 (B,57,17) IC	S-1135D12-A6
Q 1101 (B,13,59) Transistor	LSCR523UB
Q 1102 (B,13,56) Transistor	LSCR523UB
Q 1103 (B,10,63) Transistor	2SB1132
Q 1104 (B,22,54) Transistor	2SB1132
L 1501 (A,54,31) Inductor	CTF1743
L 1511 (A,48,17) Chip Beads	VTL1126
L 1902 (A,17,17) Inductor	CTF1487
L 1903 (B,63,16) Inductor	CTF1558
L 1904 (A,68,18) Ferrite Bead	CTF1528
X 1501 (B,48,18) Oscillator 27.000 MHz	CSS1823
F 1001 (A,14,19) Chip EMI Filter	DTF1106
F 1002 (B,63,18) Chip EMI Filter	DTL1106
S 1 (A,47,55) Spring Switch(HOME)	CSN1080

	1	2	3	4
	<u>Circuit Symbol and No.</u>	<u>Part No.</u>	<u>Circuit Symbol and No.</u>	<u>Part No.</u>
	C 1018 (B,14,21)	CKSSYB104K10	C 1528 (B,30,48)	CCSSCH471J50
A	C 1040 (B,51,7)	CCSRCH821J50	C 1601 (A,32,19)	CKSSYB103K16
	C 1041 (B,19,11)	CCSRCH271J50	C 1602 (A,34,17)	CCSSCH101J50
	C 1101 (B,14,53) 10 uF	CCG1192	C 1603 (A,33,18)	CCSSCH101J50
	C 1104 (B,7,57)	CKSSYB104K10	C 1604 (A,30,17)	CCSSCH680J50
	C 1105 (B,18,54)	CKSSYB104K10	C 1605 (A,30,18)	CCSSCH680J50
	C 1106 (B,8,66)	CKSSYB103K16	C 1606 (A,35,19)	CKSSYB104K10
	C 1107 (B,25,53)	CKSSYB103K16	C 1607 (A,20,24) 10 uF	CCG1192
	C 1108 (A,19,57)	CKSSYB103K16	C 1608 (A,28,18) 4.7 uF	CCG1201
	C 1109 (A,7,57)	CKSRB224K16	C 1609 (A,26,22)	CKSSYB104K10
	C 1110 (A,17,58)	CKSSYB103K16	C 1612 (A,24,24)	CKSSYB104K10
	C 1111 (A,9,66)	CKSRB224K16	C 1613 (A,24,25)	CKSSYB104K10
	C 1112 (B,17,52) 22 uF	DCH1256	C 1614 (A,22,24)	CKSSYB104K10
B	C 1113 (B,8,58) 22 uF	DCH1256	C 1615 (A,23,26)	CKSSYB104K10
	C 1210 (B,77,34)	CKSSYB104K16	C 1616 (A,24,27)	CKSSYB104K10
	C 1251 (B,12,41)	CEVW101M16	C 1617 (B,27,28)	CKSSYB104K10
	C 1252 (B,7,41) 4.7 uF	CCG1222	C 1618 (A,22,29)	CCSSCH101J50
	C 1253 (B,7,39)	CKSSYB104K16	C 1619 (A,23,30)	CKSSYB562K25
	C 1254 (A,6,38)	CKSSYB104K16	C 1620 (B,27,30)	CKSSYB224K6R3
	C 1255 (A,18,37)	CKSSYB104K16	C 1621 (A,22,31)	CKSSYB224K6R3
	C 1401 (B,34,27)	CKSSYB104K16	C 1622 (A,24,31)	CKSSYB333K16
	C 1403 (B,39,40)	CKSSYB104K10	C 1623 (A,27,20)	CKSRB105K10
	C 1404 (B,40,40) 4.7 uF	CCG1201	C 1624 (A,24,32)	CKSSYB104K10
	C 1408 (B,57,27)	CKSSYB104K10	C 1625 (A,24,29)	CKSSYB104K10
C	C 1409 (B,58,29) 4.7 uF	CCG1201	C 1671 (A,41,18)	CKSSYB104K10
	C 1410 (B,33,29)	CKSSYB104K16	C 1673 (A,37,19)	CKSSYB104K10
	C 1480 (A,71,19)	CKSSYB104K10	C 1674 (B,42,20)	CKSSYB104K10
	C 1481 (A,72,22)	CKSSYB104K10	C 1676 (B,38,21)	CKSRB105K10
	C 1482 (A,72,26)	CKSSYB104K10	C 1801 (B,42,10) 4.7 uF	CCG1201
	C 1484 (A,72,30)	CKSSYB104K10	C 1802 (B,46,10) 4.7 uF	CCG1201
	C 1485 (A,72,41)	CKSSYB104K10	C 1803 (B,42,12)	CCSRCH182J50
	C 1487 (A,57,29)	CKSSYB104K10	C 1804 (B,45,12)	CCSRCH182J50
	C 1488 (A,57,25)	CKSSYB104K10	C 1805 (B,34,13)	CKSSYB104K10
	C 1489 (A,64,17) 10 uF	CCG1192	C 1806 (B,32,13) 10 uF	CCG1192
	C 1490 (A,66,18)	CKSSYB102K50	C 1809 (B,39,16)	CKSSYB104K10
D	C 1501 (B,61,20) 10 uF	CCG1192	C 1953 (B,60,17)	CKSRB105K10
	C 1502 (B,54,20) 10 uF	CCG1192	C 1954 (B,54,17)	CKSRB105K10
	C 1503 (A,54,33)	CKSSYB104K10	C 1955 (B,77,40)	CKSSYB104K16
	C 1504 (A,53,24)	CKSSYB104K10		
	C 1505 (A,53,27)	CKSSYB104K10		
	C 1506 (B,52,35)	CKSSYB104K10		
	C 1507 (A,53,36)	CKSSYB104K10		
	C 1508 (A,53,39)	CKSSYB104K10		
	C 1509 (A,53,42)	CKSSYB104K10		
	C 1510 (B,51,18)	CCSSCH100D50		
E	C 1511 (A,48,18)	CKSSYB104K10		
	C 1512 (B,45,18)	CCSSCH100D50		
	C 1513 (A,48,48)	CKSSYB104K10		
	C 1514 (B,45,21)	CKSSYB104K10		
	C 1515 (A,45,18)	CKSSYB104K10		
	C 1516 (A,43,48)	CKSSYB104K10		
	C 1517 (A,42,48)	CKSSYB104K10		
	C 1518 (A,38,48)	CKSSYB104K10		
	C 1519 (A,34,47)	CKSSYB104K10		
	C 1520 (A,27,47)	CKSSYB104K10		
	C 1521 (A,24,34)	CKSSYB104K10		
F	C 1522 (A,25,38)	CKSSYB104K10		
	C 1523 (A,20,46)	CKSSYB224K6R3		
	C 1524 (A,20,48)	CKSSYB473K16		
	C 1526 (A,24,37)	CKSSYB103K16		

**Monitor Unit
Consists of
Monitor PCB
Key PCB**



**Unit Number : CWN7310(A,B)
Unit Number : CWN7311(C)
Unit Name : Monitor Unit**

MISCELLANEOUS

IC 761 (A,37,50) IC	PDY088A8
IC 816 (A,78,34) IC	R1290K103A
IC 891 (A,110,58) IC	OZ527IRN
Q 751 (A,68,23) Transistor	LSCR523UB
Q 752 (A,68,31) Transistor	LSCR523UB
Q 753 (A,68,26) Transistor	LSCR523UB

	1	2	3	4
	<u>Circuit Symbol and No.</u>	<u>Part No.</u>	<u>Circuit Symbol and No.</u>	<u>Part No.</u>
	R 766 (A,31,40)	RS1/16SS820J	R 862 (A,63,43)	RS1/10SR0R0J
	R 767 (A,33,37)	RS1/16SS121J	R 863 (A,61,40)	RS1/10SR1000D
	R 768 (A,34,37)	RS1/16SS121J	R 864 (A,63,40)	RS1/10SR8R2J
A	R 769 (A,35,37)	RS1/16SS121J	R 865 (A,61,37)	RS1/10SR39R0D
	R 770 (A,36,37)	RS1/16SS121J	R 866 (A,63,37)	RS1/10SR4R7J
	R 771 (A,37,36)	RS1/16SS121J	R 867 (A,61,34)	RS1/10SR47R0D
	R 772 (A,38,36)	RS1/16SS121J	R 868 (A,63,34)	RS1/10SR0R0J
	R 773 (A,39,36)	RS1/16SS121J	R 869 (A,61,31)	RS1/10SR1800D
	R 774 (A,40,36)	RS1/16SS121J	R 870 (A,63,31)	RS1/10SR2R2J
	R 775 (A,41,36)	RS1/16SS121J	R 871 (A,61,29)	RS1/10SR33R0D
	R 776 (A,42,36)	RS1/16SS121J	R 872 (A,63,29)	RS1/10SR2R4J
	R 777 (A,43,36)	RS1/16SS121J	R 881 (A,18,42)	RS1/16SS0R0J
	R 778 (A,44,36)	RS1/16SS121J	R 882 (A,17,42)	RS1/16SS153J
	R 779 (A,45,36)	RS1/16SS121J	R 883 (A,14,44)	RS1/16SS243J
B	R 780 (A,46,36)	RS1/16SS121J	R 884 (A,16,42)	RS1/16SS243J
	R 781 (A,46,38)	RS1/16SS121J	R 885 (A,13,44)	RS1/16SS682J
	R 782 (A,46,39)	RS1/16SS121J	R 886 (A,11,44)	RS1/16SS221J
	R 783 (A,46,40)	RS1/16SS121J	R 887 (A,12,40)	RS1/16SS472J
	R 784 (A,46,41)	RS1/16SS121J	R 888 (A,12,42)	RS1/16SS101J
	R 785 (A,47,44)	RS1/16SS121J	R 891 (A,101,72)	RS1/10SR0R0J
	R 786 (A,39,64)	RS1/16SS0R0J	R 892 (A,116,50)	RS1/16SS104J
	R 788 (A,38,60)	RS1/16SS473J	R 895 (A,124,62)	RS1/16SS101J
	R 789 (A,26,51)	RS1/16SS474J	R 896 (A,120,55)	RS1/16SS563J
	R 801 (A,87,25)	RS1/10SR0R0J	R 897 (A,108,42)	RS1/16SS102J
C	R 802 (A,82,25)	RS1/16SS0R0J	R 898 (A,108,69)	RS1/16SS102J
	R 803 (A,91,22)	RS1/16SS0R0J	R 899 (A,108,68)	RS1/16SS3002D
	R 804 (A,96,22)	RS1/16SS0R0J	R 900 (A,113,64)	RS1/16SS104J
	R 805 (A,100,22)	RS1/16SS0R0J	R 901 (A,110,68)	RS1/16SS1001D
	R 806 (A,105,22)	RS1/16SS0R0J	R 902 (A,122,56)	RS1/16SS101J
	R 816 (A,78,44)	RS1/16SS472J	R 903 (A,127,54)	RS1/16SS0R0J
	R 818 (A,84,36)	RS1/10SR9102D	R 904 (A,127,55)	RS1/16SS0R0J
	R 819 (A,84,34)	RS1/10SR1802D	R 905 (A,127,56)	RS1/16SS0R0J
	R 820 (A,78,28)	RS1/16SS203J	R 906 (A,127,58)	RS1/16SS0R0J
	R 821 (A,77,28)	RS1/16SS104J	R 907 (A,108,67)	RS1/16SS1004D
	R 822 (A,75,25)	RS1/16SS103J	R 908 (A,108,66)	RS1/16SS0R0J
D	R 823 (A,93,27)	RS1/16SS0R0J	R 909 (A,108,65)	RS1/16SS6802D
	R 824 (A,81,31)	RS1/16SS1502D	R 910 (A,124,59)	RS1/16SS474J
	R 825 (A,82,32)	RS1/16SS8201D	R 911 (A,122,59)	RS1/10SR393J
	R 826 (A,81,30)	RS1/16SS1502D	R 912 (A,106,43)	RS1/16SS104J
	R 827 (A,85,37)	RS1/10SR1003D	R 914 (A,104,43)	RS1/16SS0R0J
	R 828 (A,82,37)	RS1/10SR9101D	R 915 (A,116,49)	RS1/16SS0R0J
	R 830 (A,80,30)	RS1/16SS472J	R 916 (A,99,65)	RS1/10SR0R0J
	R 831 (A,69,35)	RS1/10SR0R0J	R 917 (A,121,50)	RS1/10SR0R0J
	R 832 (A,72,31)	RS1/10SR1203D	R 921 (A,34,33)	RS1/16SS473J
	R 833 (A,74,31)	RS1/10SR3001D	R 922 (A,13,35)	RS1/16SS473J
	R 834 (A,74,29)	RS1/10SR1502D	R 923 (A,23,40)	RS1/16SS473J
E	R 835 (A,72,30)	RS1/10SR472J	R 924 (A,25,41)	RS1/16SS473J
	R 840 (A,73,42)	RS1/10SR2R2J	R 925 (A,29,38)	RS1/8SQ0R0J
	R 841 (A,88,37)	RS1/10SR0R0J	R 926 (A,20,34)	RS1/8SQ0R0J
	R 851 (A,62,57)	RS1/10SR4R7J	R 927 (A,17,37)	RS1/8SQ0R0J
	R 852 (A,62,56)	RS1/10SR56R0D	R 951 (A,19,6)	RS1/16SS511J
	R 853 (A,61,54)	RS1/10SR1800D	R 952 (A,34,6)	RS1/16SS511J
	R 854 (A,63,54)	RS1/10SR2R2J	R 953 (A,49,7) (C)	RS1/16SS511J
	R 855 (A,61,51)	RS1/10SR47R0D	R 954 (A,86,7)	RS1/16SS511J
			R 955 (A,138,6)	RS1/16SS511J
	R 856 (A,63,51)	RS1/10SR0R0J	R 927 (A,17,37)	RS1/8SQ0R0J
	R 857 (A,61,48)	RS1/10SR39R0D	R 951 (A,19,6)	RS1/16SS511J
F	R 858 (A,63,48)	RS1/10SR4R7J	R 952 (A,34,6)	RS1/16SS511J
	R 859 (A,61,45)	RS1/10SR1000D	R 953 (A,49,7) (C)	RS1/16SS511J
	R 860 (A,63,45)	RS1/10SR8R2J	R 954 (A,86,7)	RS1/16SS511J
			R 955 (A,138,6)	RS1/16SS511J
	R 861 (A,61,43)	RS1/10SR1300D	R 956 (A,154,6)	RS1/16SS511J
			R 957 (A,34,5) (A,B)	RS1/16SS0R0J
			(A,34,5) (C)	RS1/16SS222J
			R 958 (A,18,5) (A,B)	RS1/16SS222J
			(A,18,5) (C)	RS1/16SS562J
			R 959 (A,138,5)	RS1/16SS222J

5
Circuit Symbol and No.

CAPACITORS

C 751	(A,68,29)	10 uF	CCG1192
C 762	(A,35,65)		CKSRYB105K10
C 763	(A,34,64)		CKSSYB103K16
C 764	(A,47,49)		CKSSYB103K16
C 765	(A,47,51)		CKSSYB103K16
C 766	(A,41,60)		CKSSYB103K16
C 767	(A,34,60)		CKSSYB103K16
C 768	(A,41,40)		CKSSYB103K16
C 769	(A,34,40)		CKSSYB103K16
C 770	(A,26,50)		CKSSYB104K10
C 771	(A,27,50)		CKSSYB103K16
C 772	(A,27,52)		CKSSYB103K16
C 812	(A,119,30)		CKSSYB104K10
C 816	(A,75,45)		CKSQYB475K6R3
C 817	(A,74,35)		CKSSYB102K50
C 818	(A,83,41)		CKSQYB105K25
C 820	(A,87,32)		CKSRYB104K50
C 821	(A,83,46)		CKSRYB104K50
C 822	(A,85,46)		CKSRYB104K50
C 823	(A,83,49)		CKSYB475K16
C 824	(A,72,33)		CKSSYB105K6R3
C 825	(A,81,27)		CKSRYB104K50
C 826	(A,80,27)		CKSRYB123K50
C 827	(A,83,27)		CKSRYB105K16
C 828	(A,90,29)		CCSQCH101J50
C 829	(A,85,38)		CKSRYB561K50
C 830	(A,91,29)		CKSRYB683K50
C 831	(A,70,39)		CKSYB475K16
C 833	(A,77,30)		CKSRYB682K50
C 834	(A,74,30)		CCSRCH471J50
C 835	(A,71,43)		CKSRYB332K50
C 837	(A,85,41)		CKSQYB105K25
C 838	(A,86,35)		CKSRYB105K16
C 859	(A,60,43)		CKSSYB102K50
C 860	(A,59,43)		CKSSYB104K16
C 861	(A,60,40)		CKSSYB102K50
C 862	(A,59,40)		CKSSYB104K16
C 881	(A,15,42)		CKSSYB104K16
C 882	(A,8,41)	10 uF	DCH1165
C 894	(A,102,66)	10 uF	CCG1236
C 895	(A,116,58)		CKSYB105K35
C 896	(A,117,53)		CKSYB105K35
C 897	(A,102,57)	10 uF	CCG1236
C 898	(A,119,55)		CKSRYB105K10
C 899	(A,102,59)	10 uF	CCG1236
C 902	(A,114,64)		CCSSCH101J50
C 903	(A,110,69)		CKSRYB224K16
C 905	(A,110,50)	10 uF	CCG1236
C 907	(A,122,58)		CKSRYB104K16
C 921	(A,32,32)		CKSSYB102K50
C 923	(A,32,33)		CKSSYB104K16
C 925	(A,11,27)	10 uF	DCH1165
C 926	(A,9,29)		CKSSYB102K50
C 929	(A,29,32)		CKSSYB102K50
C 930	(A,29,33)		CKSSYB104K10
C 931	(A,28,35)	10 uF	CCG1234
C 934	(A,25,32)		CKSSYB104K16

6
Part No.

7
Circuit Symbol and No.

C 935	(A,22,34)	4.7 uF
C 937	(A,21,38)	
C 940	(A,17,36)	
C 942	(A,17,32)	
C 951	(A,11,6)	
C 952	(A,26,6)	
C 953	(A,40,6)	(C)
C 954	(A,79,7)	
C 955	(A,130,6)	
C 956	(A,145,6)	

8
Part No.

CCG1201
CKSQYB225K16
CKSQYB334K50
CKSSYB104K16
CKSSYB104K10
CKSSYB104K10
CKSSYB104K10
CKSSYB104K10
CKSSYB104K10
CKSSYB104K10
CKSSYB104K10

F

Unit Number : CWN7641(C)
Unit Name : Fan Control Unit

MISCELLANEOUS

Q 9901	(A,41,17)	Transistor	LTC114EUB
Q 9902	(A,40,11)	Transistor	2SA1587
Q 9903	(A,38,17)	Transistor	LTC143EUB
Q 9904	(A,18,12)	Transistor	2SD2118
D 9901	(A,35,11)	Diode	RB551VM-30
D 9902	(A,35,15)	Diode	DZ2J068M0
D 9903	(A,23,16)	Diode	DZ2J110M0
CN9901	(A,11,33)	Connector	CKS4977
CN9902	(A,62,7)	Connector	CKS6095

RESISTORS

R 9901	(A,40,14)	RS1/16SS103J
R 9902	(A,41,14)	RS1/16SS512J
R 9903	(A,38,12)	RS1/4SA681J

CAPACITORS

C 9901	(A,25,15)	CKSSYB103K16
C 9903	(A,11,18)	CKSSYB103K16
C 9904	(A,11,22)	CEVW101M16

G

Unit Number : EXX2001(C)
Unit Name : PCB Assy(Service)

MISCELLANEOUS

IC 101	Driver IC	BA6288FS
VR101	Volume 10 kohm	CCW1029
S 101	Switch(HOME)	CSN1067
S 102	Switch(HOME)	CSN1068
CN101	Connector	CKS4997

RESISTORS

R 101	RS1/16S221J
R 102	RS1/16S221J
R 103	RS1/16S0R0J

CAPACITORS

C 101	CEVW220M16
C 102	CKSRYB104K16