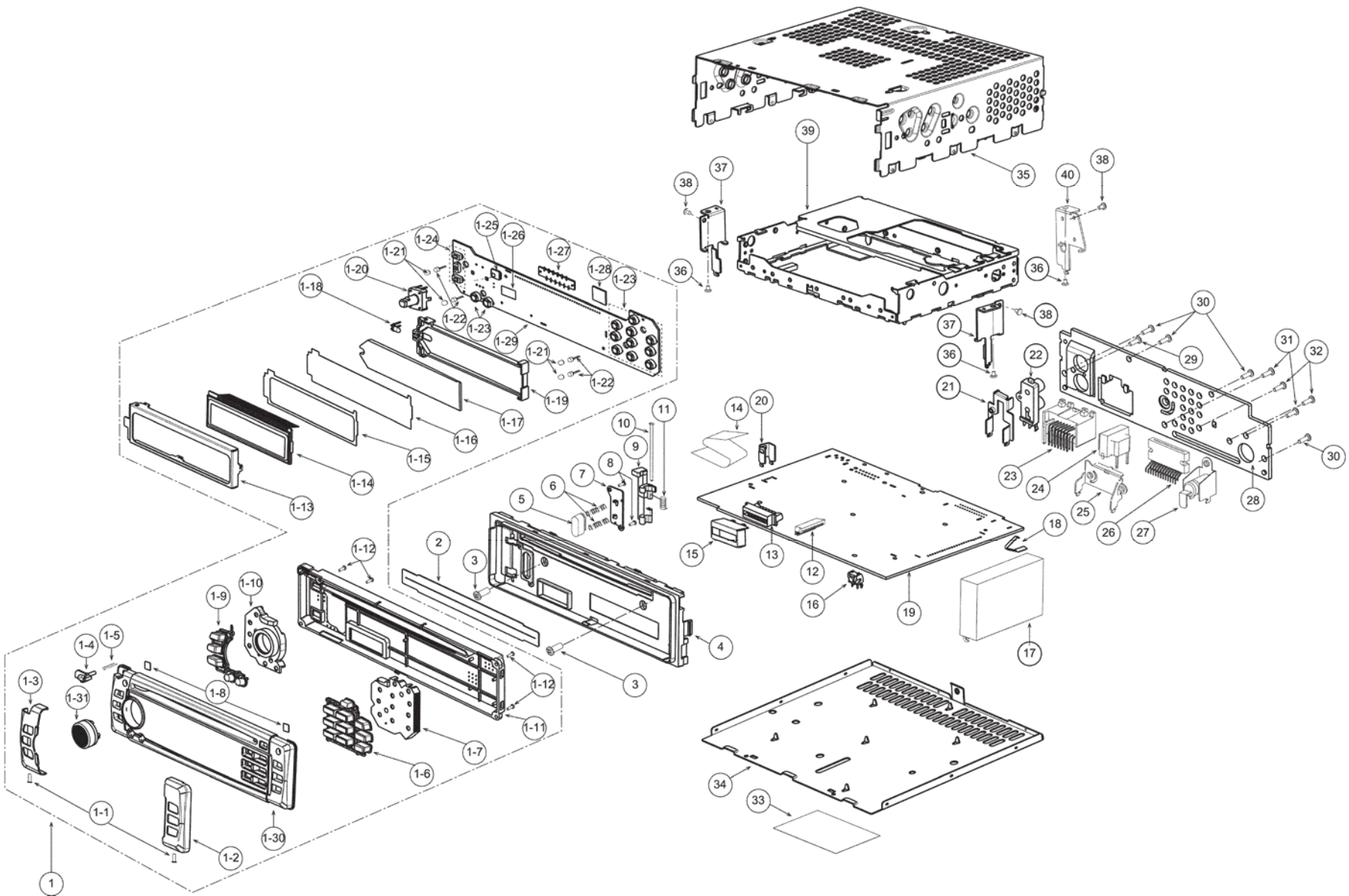


EXPLODED VIEW • PART LIST
Main Section/DCP Section

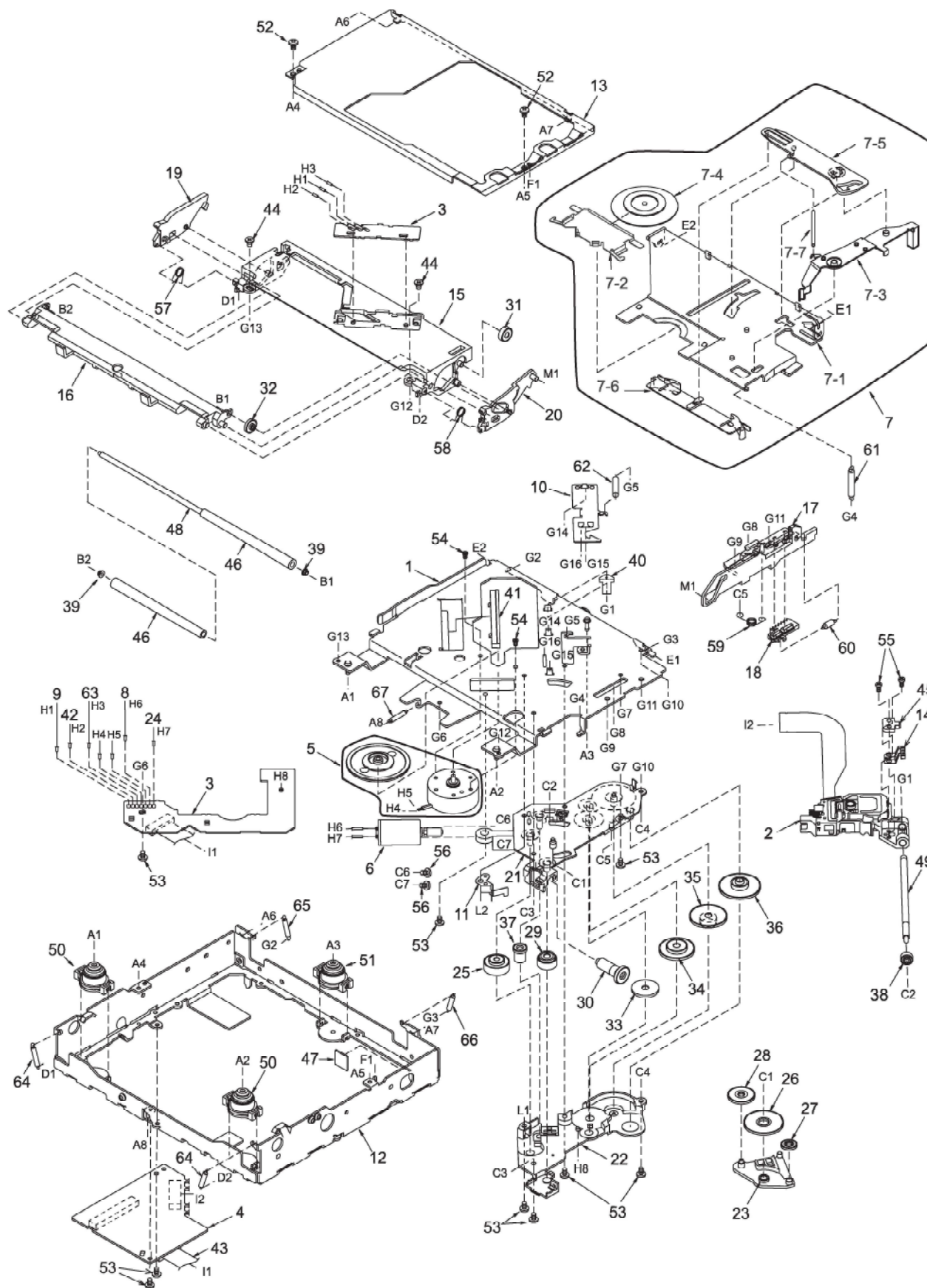


NO.	PART NO.	DESCRIPTION	Q'TY
1	DCP-466-600	DCP ASSY (PE-2642B-A)	1
	DCP-473-800	DCP ASSY (PE-2642K-A)	1
1-1	716-0872-03	SCREW (PE-2642B-A)	2
	716-0872-00	SCREW (PE-2642K-A)	2
1-2	371-5770-00	FACE PLATE(R)(PE-2642B-A)	1
	371-5770-01	FACE PLATE(R)(PE-2642K-A)	1
1-3	371-5771-00	FACE PLATE (L)(PE-2642B-A)	1
	371-5771-01	FACE PLATE (L)(PE-2642K-A)	1
1-4	382-6923-00	RELEASE BUTTON	1
1-5	750-6747-00	SPRING	1
1-6	382-6928-00	BUTTON ASSY (R)	1
1-7	335-7140-00	ILLUMI PLATE (R)	1
1-8	347-7208-00	STICKER	2
1-9	382-6926-00	BUTTON ASSY (L)	1
1-10	335-7137-00	ILLUMI PLATE (L)	1
1-11	335-7139-00	REAR COVER	1
1-12	716-0872-11	SP SCREW (M1.7 X 6)	4
1-13	331-3749-00	LCD COVER	1
1-14	379-1280-41	INDICATOR (LCD)	1
1-15	347-7092-00	FILM	1
1-16	347-7093-00	SHADE	1
1-17	335-7190-00	LCD ILLUMI	1
1-18	001-7046-00	DIODE	1
1-19	335-7192-00	LCD HOLDER	1
1-20	016-9900-92	VR W/SHAFT	1
1-21	345-7148-20	LAMP CAP	4
1-22	017-0410-00	PILOT LAMP (14V 40mA)	4
1-23	013-6005-51	TACT SWITCH	12
1-24	013-6305-50	TACT SWITCH	3
1-25	060-4008-00	IR-RECEIVER	1
1-26	347-7026-00	BLACK MATTEE STICKER	1
1-27	076-0703-12	PLUG	1
1-28	051-6013-50	IC	1
1-29	-----	MAIN PWB (SWITCH)	1
1-30	947-0547-60	ES-DIAL-ASSY (PE-2642B-A)	1
	947-0548-60	ES-DIAL-ASSY (PE-2642K-A)	1
1-31	947-0543-60	VOL-KNOB-ASSY	1
2	346-0097-00	LEATHER SHEET	1
3	714-2606-87	MC SCREW (M2.6 X 6)	2

NO.	PART NO.	DESCRIPTION	Q'TY
4	370-6101-00	INNER ESC	1
5	382-4078-20	BUTTON P-UP	1
6	750-3173-00	SPRING	2
7	331-3609-00	HOOK PLATE	1
8	716-0778-00	WAVE SCREW (2 X 6)	2
9	335-5915-20	HOOK	1
10	341-1627-20	SHAFT	1
11	750-3219-20	SPRING	1
12	074-9010-26	OUTLET SOCKET	1
13	074-1316-12	OUTLET SOCKET (DCP)	1
14	816-2620-00	FLAT WIRE	1
15	331-3630-00	CONNECTOR COVER	1
16	013-3932-01	TACT SWITCH	1
17	880-2090R	TUNER	1
18	331-1861-21	EARTH PLATE	1
19	-----	MAIN PWB	1
20	313-1873-00	HEAT SINK	1
21	331-3631-00	RCA BRKT	1
22	075-0388-00	RCA JACK	1
23	074-1214-00	OUTLET SOCKET	1
24	009-9006-60	CHOKE	1
25	331-3367-01	IC HOLDER	1
26	051-2042-00	POWER IC	1
27	092-4000-51	ANT-RECEPT	1
28	313-1872-05	HEAT SINK	1
29	714-2012-81	MC SCREW (M2 X 12)	1
30	731-3008-80	TAPTIGHT (M3 X 8)	4
31	714-3006-81	TAPTIGHT (M3 X 6)	2
32	731-3012-80	TAPTIGHT (M3 X 12)	2
33	286-6299-00	SET PLATE (PE-2642B)	1
	286-6300-00	SET PLATE (PE-2642K)	1
34	311-1848-00	LOWER CASE	1
35	310-1775-05	UPPER CASE	1
36	731-3005-81	TAPTIGHT (M3 X 5)	3
37	331-3607-00	MECHA BRACKET	2
38	714-2604-81	MC SCREW (M2.6 X 4)	3
39	929-0290-80	CD MECHA	1
40	331-3366-00	MECHA BRACKET	1

EXPLODED VIEW • PARTS LIST

CD mechanism section 929-0290-80



NO.	PART NO.	DESCRIPTION	QTY	NO.	PART NO.	DESCRIPTION	QTY
1	966-0595-25	DRIVE PLATE ASSY	1	31	621-0720-20	ROLLER GEAR C	1
2	969-0065-31	PICK UP UNIT	1	32	621-0721-20	ROLLER GEAR D	1
3	—————	LED PWB	1	33	621-0616-20	POWER GEAR A	1
4	—————	CD PWB	1	34	621-0617-20	POWER GEAR B	1
5	SMA-182-100	MOTOR ASSY(SPINDLE)	1	35	621-0618-20	POWER GEAR C	1
6	SMA-183-100	MOTOR ASSY(SLED)	1	36	621-0619-20	POWER GEAR D	1
7	HBS-524-100	CLAMPER SUB ASSY	1	37	621-0620-20	THREAD GEAR A	1
7-1	620-1022-25	CLAMPER LINK	1	38	621-0621-20	THREAD GEAR B	1
7-2	620-1023-23	CLAMPER PLATE	1	39	621-0622-21	ROLLER SLEEVE	2
7-3	620-1024-23	SENSOR ARM	1	40	621-0623-23	LS-HOLDER	1
7-4	621-0708-20	CLAMPER RING	1	41	621-0624-22	GUIDE RAIL	1
7-5	621-0626-21	STOPPER LINK	1	42	816-2593-00	LEAD WIRE(PUR)	1
7-6	621-0627-21	DISC STOPPER	1	43	816-2542-01	FLAT WIRE(10P)	1
7-7	750-3471-20	SENSOR SPRING	1	44	716-3473-00	SCREW (M2 X 3)	2
8	803-4906-60	VINYL COAT WIRE(ORG)	1	45	621-0709-20	SH-BASE	1
9	816-2591-00	LEAD WIRE(YEL)	1	46	621-0629-20	LOADING ROLLER	2
10	620-1025-22	ID-LOCK PLATE	1	47	345-8704-20	CUSHION RUBBER	1
11	620-1026-21	SPRING PLATE	1	48	622-1571-21	ROLLER SHAFT	1
12	620-1027-27	LOWER CHASSIS	1	49	624-0018-01	LEAD SCREW	1
13	620-1028-23	UPPER CHASSIS	1	50	629-0081-20	DAMPER F	2
14	966-0638-20	SH-RACK ASSY	1	51	629-0082-20	DAMPER R	1
15	621-0598-27	UPPER GUIDE	1	52	714-2003-81	MACHINE SCREW (M2 X 3)	2
16	621-0599-26	ROLLER GUIDE	1	53	716-1507-00	SCREW (M2 X 3)	9
17	621-0600-26	SHIFT LEVER	1	54	716-1733-00	SCREW (M1.7 X 2.3)	2
18	621-0601-21	RACK	1	55	716-3469-00	SCREW (3 X 4)	2
19	621-0602-22	LOCK ARM L	1	56	716-3446-00	SCREW (M1.4 X 2.5)	2
20	621-0603-25	LOCK ARM R	1	57	750-3465-21	ROLLER SPRING L	1
21	621-0724-21	GEAR BASE	1	58	750-3466-20	ROLLER SPRING R	1
22	621-0605-22	GEAR COVER	1	59	750-3467-21	SHIFT SPRING	1
23	621-0723-20	IDLE CASE	1	60	750-3468-20	RACK SPRING	1
24	816-2590-00	VINYL COAT WIRE(GRN)	1	61	750-3469-20	CLAMPER SPRING	1
25	621-0608-21	SECOND GEAR	1	62	750-3470-20	ID-LOCK SPRING	1
26	621-0609-20	BASE GEAR	1	63	816-2592-00	LEAD WIRE(BLU)	1
27	621-0610-20	IDLE GEAR A	1	64	750-3472-21	DR-SPRING F	2
28	621-0611-20	IDLE GEAR B	1	65	750-3473-20	DR-SPRING RA	1
29	621-0612-21	ROLLER GEAR A	1	66	750-3474-20	DR-SPRING RB	1
30	621-0719-20	ROLLER GEAR B	1	67	750-3475-21	DR-SPRING C	1

ELECTRICAL PARTS LIST

Main PWB Section (B1)

Note:- Several different parts of the same reference number are alternative parts.
 One of those parts is used in the set.
 Remarks:- #: For PE-2642B-A only * : For PE-2642K-A only

REF No.	PART No.	DESCRIPTION	REF No.	PART No.	DESCRIPTION	REF No.	PART No.	DESCRIPTION
ANT101	092-4000-51	ANT-RECEP	C532	166-1011-50	50V 100pF	D605	001-0466-90	S5688B
BL101	880-2090R	TUNER	C533	166-1011-50	50V 100pF	D606	001-0466-90	S5688B
C101	166-2201-50	50V 22pF	C534	166-1011-50	50V 100pF	D607	001-0466-90	S5688B
C102	166-2201-50	50V 22pF	C602	178-3932-78	25V 0.039uF	D608	001-0466-90	S5688B
C103	168-1032-55	50V 0.01uF	C603	178-3932-78	25V 0.039uF	D609	001-1310-00	KDS160
C104	168-1032-55	50V 0.01uF	C612	178-3932-78	25V 0.039uF	D901	001-0592-00	RM4Z
C105	168-1032-55	50V 0.01uF	C613	178-3932-78	25V 0.039uF	D902	001-0330-90	1SS119
C106	187-1073-25	10V 100uF	C621	187-1053-65	50V 1uF	D903	001-0466-91	S5688G
C108	168-1032-55	50V 0.01uF	C622	187-1063-35	16V 10uF	D904	001-0330-90	1SS119
C109	187-4763-35	16V 47uF	C623	178-4742-78	25V 0.47uF	D905	001-0347-45	MA4082H
C110	187-1073-25	10V 100uF	C624	187-1053-65	50V 1uF	D906	001-0347-32	MA4056M
C111	168-1032-55	50V 0.01uF	C625	168-2222-55	50V 2200P	D907	001-0347-46	MA4091L
C112	168-6822-55	50V 6800pF	C626	168-2222-55	50V 2200P	D908	001-0330-90	1SS119
C113	168-2732-55	50V 0.027uF	C627	168-2222-55	50V 2200P	D909	001-0330-90	1SS119
C114	168-2732-55	50V 0.027uF	C628	168-2222-55	50V 2200P	D910	001-0347-36	MA4062H
C115	168-1022-55	50V 1000pF	C629	168-2222-55	50V 2200P	D911	001-0330-90	1SS119
C116	168-2232-55	50V 0.022uF	C630	168-2222-55	50V 2200P	D912	001-0330-90	1SS119
C117	187-1053-65	50V 1uF	C631	168-2222-55	50V 2200P	D913	001-0347-40	MA4075L
C118	168-1532-55	50V 0.015uF	C632	168-2222-55	50V 2200P	D914	001-0347-25	MA4047L
C120	187-3353-65	50V 3.3uF	C638	168-1545-56	50V 0.15uF	D915	001-0330-90	1SS119
C121	168-1032-55	50V 0.01uF	C639	168-1545-56	50V 0.15uF	D916	001-0330-90	1SS119
C201	168-1032-55	50V 0.01uF	C640	166-2201-50	50V 22pF	D917	001-0330-90	1SS119
C203	168-1045-56	50V 0.1uF	C641	168-1545-56	50V 0.15uF	D918	001-0347-32	MA4056M
C204	168-1045-56	50V 0.1uF	C642	168-1545-56	50V 0.15uF	D920	001-0347-46	MA4091L
C205	166-2201-50	50V 22pF	C643	166-2201-50	50V 22pF	IC201	052-1941-00	uPD178078GF -582-3BA
C206	166-2201-50	50V 22pF	C644	168-1545-56	50V 0.15uF	IC501	051-5033-90	PT2311
C207	166-3311-50	50V 330pF	C645	168-1545-56	50V 0.15uF	IC601	051-2042-00	TA8275H
C208	166-1011-50	50V 100pF	C646	166-2201-50	50V 22pF	IC602	051-3049-90	HA17558AF
C209	166-1011-50	50V 100pF	C647	168-1545-56	50V 0.15uF	IC603	051-3019-90	NJM2060V
C210	166-1011-50	50V 100pF	C648	168-1545-56	50V 0.15uF	JW1	060-0108-90	1/4W 0 ohm
C212	187-1073-15	6.3V 100uF	C649	166-2201-50	50V 22pF	JW2	060-0108-90	1/4W 0 ohm
C226	166-1011-50	50V 100pF	C650	187-4763-35	16V 47uF	JW3	060-0108-90	1/4W 0 ohm
C228	160-1022-75	50V 1000pF	C651	187-1063-35	16V 10uF	J201	074-1316-12	12P
C401	187-1063-35	16V 10uF	C653	042-1452-81	10V 220uF	J301	074-9010-26	26P
C402	166-4711-50	50V 470pF	C901	189-2283-32	16V 2200uF	J901	074-1214-00	16P
C411	187-1063-35	16V 10uF	C902	172-1041-15	50V 0.1uF	L101	010-2003-04	COIL
C412	166-4711-50	50V 470pF	C903	187-1063-35	16V 10uF	L102	060-0108-90	1/4W 0 ohm
C422	166-1011-50	50V 100pF	C904	187-1073-25	10V 100uF	L103	010-2230-69	5.6uH
C501	187-2253-65	50V 2.2uF	C905	187-2263-35	16V 22uF	L201	060-0108-90	1/4W 0 ohm
C502	187-2253-65	50V 2.2uF	C906	187-1073-15	6.3V 100uF	L601	010-3001-63	5.6uH
C503	187-2253-65	50V 2.2uF	C907	187-1073-25	10V 100uF	L602	010-3001-63	5.6uH
C504	178-4742-78	25V 0.47uF	C908	187-1073-25	10V 100uF	L603	010-3001-63	5.6uH
C505	168-1045-56	25V 0.1uF	C909	187-1063-35	16V 10uF	L604	010-3001-63	5.6uH
C506	168-1045-56	25V 0.1uF	C910	187-1073-25	10V 100uF	Q101	125-2199-93	KRC103S
C507	168-2722-55	50V 2700pF	C911	168-1045-56	50V 0.1uF	Q102	125-3004-90	KTA1504GR
C511	187-2253-65	50V 2.2uF	C912	187-4743-65	50V 0.47uF	Q103	125-3004-90	KTA1504GR
C512	187-2253-65	50V 2.2uF	C914	168-1032-55	50V 0.01uF	Q104	125-4010-90	KTC3875
C513	187-2253-65	50V 2.2uF	C915	187-1063-35	16V 10uF	Q105	125-4010-90	KTC3875
C514	178-4742-78	25V 0.47uF	D201	001-0347-35	MA4062M	Q401	125-4010-90	KTC3875
C515	168-1045-56	25V 0.1uF	D202	001-0347-40	MA4075L	Q411	125-4010-90	KTC3875
C516	168-1045-56	25V 0.1uF	D601	001-0466-90	S5688B	Q421	125-0199-92	KRA102S
C517	168-2722-55	50V 2700pF	D602	001-0466-90	S5688B	Q901	125-2199-93	KRC103S
C521	187-2263-35	16V 22uF	D603	001-0466-90	S5688B	Q902	125-3006-90	KTA1281
C531	166-1011-50	50V 100pF	D604	001-0466-90	S5688B			

REF No.	PART No.	DESCRIPTION	REF No.	PART No.	DESCRIPTION	REF No.	PART No.	DESCRIPTION
Q903	125-3004-90	KTA1504GR	R218	119-4721-15	1/16W 4.7K ohm	R636	119-5631-15	1/16W 56K ohm
Q904	125-4010-90	KTC3875	R219	119-4721-15	1/16W 4.7K ohm	R637	119-1031-15	1/16W 10K ohm
Q905	125-2199-92	KRC102S	R220	119-4731-15	1/16W 47K ohm	R638	119-8231-15	1/16W 82K ohm
Q906	125-0199-92	KRA102S	R221	119-1041-15	1/16W 100K ohm	R639	119-8231-15	1/16W 82K ohm
Q907	102-3420-00	2SC3420	R222	119-4731-15	1/16W 47K ohm	R640	119-1031-15	1/16W 10K ohm
Q908	125-0199-92	KRA102S	R223	119-4731-15	1/16W 47K ohm	R641	119-1031-15	1/16W 10K ohm
Q909	125-4011-90	KTD863YAT	R224	119-1041-15	1/16W 100K ohm	R642	119-1031-15	1/16W 10K ohm
Q910	125-4011-90	KTD863YAT	R225	119-1031-15	1/16W 10K ohm	R901	111-1521-98	1/4W 1.5K ohm
Q911	125-2199-93	KRC103S	R226	119-1031-15	1/16W 10K ohm	R902	111-1221-98	1/4W 1.2K ohm
Q912	125-3004-90	KTA1504GR	R228	119-1031-15	1/16W 10K ohm	R903	119-1031-15	1/16W 10K ohm
Q913	125-4011-90	KTD863YAT	R229	119-0000-05	1/16W 0 ohm	R904	111-1591-98	1/4W 1.5 ohm
Q914	125-4011-90	KTD863YAT	R232	119-1021-15	1/16W 1K ohm	R905	111-1591-98	1/4W 1.5 ohm
Q915	125-4011-90	KTD863YAT	R233	119-1021-15	1/16W 1K ohm	R906	111-1591-98	1/4W 1.5 ohm
Q916	125-3004-90	KTA1504GR	R234	119-1021-15	1/16W 1K ohm	R907	111-1591-98	1/4W 1.5 ohm
Q917	125-4010-90	KTC3875	R238	119-0000-05	1/16W 0 ohm	R908	119-1031-15	1/16W 10K ohm
Q918	125-0199-92	KRA102S	R239	119-0000-05	1/16W 0 ohm	R909	119-3321-15	1/16W 3.3K ohm
Q919	125-4010-90	KTC3875	R401	119-1031-15	1/16W 10K ohm	R910	119-3321-15	1/16W 3.3K ohm
Q920	125-0199-92	KRA102S	R402	119-3311-15	1/16W 330 ohm	R911	119-2231-15	1/16W 22K ohm
Q921	125-4010-90	KTC3875	R403	119-5621-15	1/16W 5.6K ohm	R912	111-4711-98	1/4W 470 ohm
Q922	125-2199-93	KRC103S	R404	119-1221-15	1/16W 1.2K ohm	R913	111-4711-98	1/4W 470 ohm
Q923	125-3005-90	KTA1273	R411	119-1031-15	1/16W 10K ohm	R914	111-2211-98	1/4W 220 ohm
Q924	125-2199-92	KRC102S	R412	119-3311-15	1/16W 330 ohm	R915	111-2291-98	1/4W 2.2 ohm
Q925	125-4011-90	KTD863YAT	R413	119-5621-15	1/16W 5.6K ohm	R916	111-2291-98	1/4W 2.2 ohm
Q928	125-3004-90	KTA1504GR	R414	119-1221-15	1/16W 1.2K ohm	R917	119-1031-15	1/16W 10K ohm
R101	119-2221-15	1/16W 2.2K ohm	R421	119-4721-15	1/16W 4.7K ohm	R918	111-3921-98	1/4W 3.9K ohm
R102	119-1011-15	1/16W 100 ohm	R501	119-1031-15	1/16W 10K ohm	R919	111-8211-98	1/4W 820 ohm
R103	119-2221-15	1/16W 2.2K ohm	R502	119-1831-15	1/16W 18K ohm	R920	111-8211-98	1/4W 820 ohm
R104	119-4741-15	1/16W 470K ohm	R503	119-5621-15	1/16W 5.6K ohm	R921	111-2291-98	1/4W 2.2 ohm
R105	119-1021-15	1/16W 1K ohm	R511	119-1031-15	1/16W 10K ohm	R922	111-2291-98	1/4W 2.2 ohm
R106	119-1831-15	1/16W 18K ohm	R512	119-1831-15	1/16W 18K ohm	R923	111-1021-98	1/4W 1K ohm
R107	119-1031-15	1/16W 10K ohm	R513	119-5621-15	1/16W 5.6K ohm	R924	119-1231-15	1/16W 12K ohm
R108	111-2221-98	1/4W 2.2K ohm	R531	119-3901-15	1/16W 39 ohm	R925	119-1031-15	1/16W 10K ohm
R109	119-1031-15	1/16W 10K ohm	R532	119-3901-15	1/16W 39 ohm	R926	119-1021-15	1/16W 1K ohm
R110	111-2221-98	1/4W 2.2K ohm	R533	119-3901-15	1/16W 39 ohm	R927	119-4721-15	1/16W 4.7K ohm
R111	119-1021-15	1/16W 1K ohm	R534	119-3901-15	1/16W 39 ohm	R928	119-1031-15	1/16W 10K ohm
R112	119-1021-15	1/16W 1K ohm	R601	119-2231-15	1/16W 22K ohm	R929	119-1031-15	1/16W 10K ohm
R113	111-4721-98	1/4W 4.7K ohm	R602	119-2231-15	1/16W 22K ohm	R930	119-1031-15	1/16W 10K ohm
R201	119-1041-15	1/16W 100K ohm	R611	119-2231-15	1/16W 22K ohm	R931	119-4721-15	1/16W 4.7K ohm
R202	119-2221-15	1/16W 2.2K ohm	R612	119-2231-15	1/16W 22K ohm	R932	119-2231-15	1/16W 22K ohm
R203	119-2221-15	1/16W 2.2K ohm	R621	119-1031-15	1/16W 10K ohm	R933	111-2231-98	1/4W 22K ohm
R204	119-1021-15	1/16W 1K ohm	R622	119-1031-15	1/16W 10K ohm	R934	119-4731-15	1/16W 47K ohm
R205	119-1031-15	1/16W 10K ohm	R624	119-0000-05	1/16W 0 ohm	R935	111-1021-98	1/4W 1K ohm
R206	119-5631-15	1/16W 56K ohm	R625	119-1031-15	1/16W 10K ohm	R936	119-1031-15	1/16W 10K ohm
R207	119-4731-15	1/16W 47K ohm	R626	119-8231-15	1/16W 82K ohm	R937	111-4711-98	1/4W 470 ohm
R208	119-1031-15	1/16W 10K ohm	R627	119-8231-15	1/16W 82K ohm	R938	119-1031-15	1/16W 10K ohm
R209	119-1031-15	1/16W 10K ohm	R628	119-1031-15	1/16W 10K ohm	R939	119-2231-15	1/16W 22K ohm
R210	119-2231-15	1/16W 22K ohm	R629	119-5631-15	1/16W 56K ohm	R940	111-3321-98	1/4W 3.3K ohm
R211	119-2231-15	1/16W 22K ohm	R630	119-5631-15	1/16W 56K ohm	S901	013-3932-01	RST SW
R212	119-1041-15	1/16W 100K ohm	R631	119-1031-15	1/16W 10K ohm	SUP101	060-0122-20	DSP-141N-S00B
R213	119-1031-15	1/16W 10K ohm	R632	119-1031-15	1/16W 10K ohm	T901	009-9006-60	CHOKE
R214	119-1031-15	1/16W 10K ohm*	R633	119-1031-15	1/16W 10K ohm	X201	061-1064-00	4.5MHz
R215	119-1031-15	1/16W 10K ohm#	R634	119-1031-15	1/16W 10K ohm	PWB	039-2422-00	PWB (WITHOUT COMPONENT)
R216	119-1031-15	1/16W 10K ohm	R635	119-5631-15	1/16W 56K ohm			

Main PWB (Switch) (B2)

REF No.	PART No.	DESCRIPTION	REF No.	PART No.	DESCRIPTION
C1	168-1022-55	50V 1000pF	R5	119-1241-15	1/16W 120K ohm
C2	168-4732-55	50V 0.047uF	R7	119-1031-15	1/16W 10K ohm
C3	168-4732-55	50V 0.047uF	R8	119-4731-15	1/16W 47K ohm
C4	168-4732-55	50V 0.047uF	R9	119-3311-15	1/16W 330 ohm
C5	042-0416-51	6.3V 10uF	R10	119-3311-15	1/16W 330 ohm
C6	042-0416-51	6.3V 10uF	R11	119-6801-15	1/16W 68 ohm
D1	001-0529-41	MA8075M	R14	119-3311-15	1/16W 330 ohm
D2	001-0746-00	NSPW310BS (LED)	R15	119-1011-15	1/16W 100 ohm
D3	001-0529-29	MA8051M	R16	119-1021-15	1/16W 1K ohm
D5	001-0529-41	MA8075M	R17	119-0000-05	1/16W 0 ohm
D6	001-0529-41	MA8075M	S1	013-6005-51	SKQNABD010
D7	001-0529-41	MA8075M	S2	013-6005-51	SKQNABD010
D8	001-0529-41	MA8075M	S3	013-6005-51	SKQNABD010
D9	001-0529-41	MA8075M	S4	013-6005-51	SKQNABD010
D10	001-0529-29	MA8051M	S5	013-6005-51	SKQNABD010
IC1	051-6013-50	PT6554LQ	S6	013-6005-51	SKQNABD010
IR1	060-4008-00	RS-171	S7	013-6005-51	SKQNABD010
J1	076-0703-12	PLUG	S8	013-6005-51	SKQNABD010
LCD1	379-1280-41	INDICATOR	S9	013-6005-51	SKQNABD010
PL1	017-0410-00	14V 40mA	S10	013-6005-51	SKQNABD010
PL2	017-0410-00	14V 40mA	S11	013-6005-51	SKQNABD010
PL3	017-0410-00	14V 40mA	S12	013-6305-50	SKQMASE010
PL4	017-0410-00	14V 40mA	S13	013-6305-50	SKQMASE010
R1	119-2221-15	1/16W 2.2K ohm	S14	013-6005-51	SKQNABD010
R2	119-2221-15	1/16W 2.2K ohm	S15	013-6305-50	SKQMASE010
R3	119-2221-15	1/16W 2.2K ohm	VR1	016-9900-93	VR W/SHAFT
R4	119-3921-15	1/16W 3.9K ohm	PWB	039-2422-00	PWB (WITHOUT COMPONENT)

CD PWB section (B3) : CD Mechanism

Note:- Several different parts of the same reference number are alternative parts. One of those parts is used in the set.

REF No.	PART No.	DESCRIPTION	REF No.	PART No.	DESCRIPTION	REF No.	PART No.	DESCRIPTION
C1	168-1042-78	16V 0.1uF	C35	046-6812-58	680pF	R9	033-2211-15	1/10W 220 ohm
C3	163-2273-05	4V 220uF	C36	168-1042-78	16V 0.1uF	R11	033-1051-15	1/10W 1M ohm
C4	168-1042-78	16V 0.1uF	C37	168-1042-78	16V 0.1uF	R12	119-6811-15	1/10W 680 ohm
C5	163-1073-35	16V 100uF	C38	046-1522-58	1500pF	R13	033-2211-15	1/10W 220 ohm
C6	163-1073-35	16V 100uF	C39	046-4722-58	4700pF	R14	033-2211-15	1/10W 220 ohm
C7	168-1042-78	16V 0.1uF	C40	046-1032-78	0.01uF	R16	033-2231-15	1/10W 22k ohm
C9	178-1052-78	1uF	C41	046-1532-78	0.015uF	R18	033-3341-15	1/10W 330k ohm
C10	042-0560-85	6.3V 100uF	C43	168-1042-78	16V 0.1uF	R19	033-5621-15	1/10W 5.6k ohm
C11	046-4712-58	470pF	C47	045-4701-50	47pF	R21	033-2231-15	1/10W 22k ohm
C12	178-1052-78	1uF	C48	168-1042-78	16V 0.1uF	R22	033-4731-15	1/10W 47k ohm
C13	046-4712-58	470pF	C49	168-1042-78	16V 0.1uF	R24	033-1041-15	1/10W 100k ohm
C15	168-1042-78	16V 0.1uF	C50	042-0666-00	12.5V 22uF	R25	033-1031-15	1/10W 10k ohm
C16	168-4732-78	0.047uF	C51	046-5622-58	5600pF	R26	033-1531-15	1/10W 15k ohm
C17	168-4732-78	0.047uF	C52	178-1052-78	1uF	R27	033-4731-15	1/10W 47k ohm
C18	168-1042-78	16V 0.1uF	C55	178-1052-78	1uF	R28	033-1831-15	1/10W 18k ohm
C19	168-1042-78	16V 0.1uF	CCT2	050-0140-63	1/32W 47k ohm x4J	R29	033-6821-15	1/10W 6.8k ohm
C21	046-6822-58	6800pF	D1	001-0367-91	1SS226	R30	033-8231-15	1/10W 82k ohm
C22	046-3332-78	0.033uF	IC1	051-6071-08	BA5825FP-E2	R31	033-8231-15	1/10W 82k ohm
C24	178-1052-78	1uF	IC2	051-6399-00	TC94A15F	R32	119-1001-15	1/10W 10 ohm
C25	168-1042-78	16V 0.1uF	J101	074-1228-76	26P	R33	033-2731-15	1/10W 27k ohm
C26	168-1042-78	16V 0.1uF	J201	074-1138-65	15P	R34	033-2731-15	1/10W 27k ohm
C28	168-1042-78	16V 0.1uF	J301	074-1138-60	10P	R35	033-2731-15	1/10W 27k ohm
C29	168-1042-78	16V 0.1uF	Q1	131-1188-50	2SB1188PQR	R36	033-2731-15	1/10W 27k ohm
C30	045-6801-50	68pF	Q2	131-1188-50	2SB1188PQR	R37	032-0162-50	1/10W 0.51 ohm
C31	168-1042-78	16V 0.1uF	R1	117-6811-15	1/8W 680 ohm	X1	060-1535-90	16.934MHz
C32	168-1042-78	16V 0.1uF	R2	117-1001-15	1/8W 10 ohm	PWB	039-2435-20	PWB(WITHOUT COMPONENT)
C33	046-1532-78	0.015uF						
C34	168-1042-78	16V 0.1uF						

LED PWB section (B4) : CD mechanism

REF No.	PART No.	DESCRIPTION	REF No.	PART No.	DESCRIPTION	REF No.	PART No.	DESCRIPTION
D1	001-7058-90	AN1105W-RR	Q1	060-4015-90	PS1192H	S2	013-7413-50	LIMIT
D2	001-7058-90	AN1105W-RR	Q2	060-4015-90	PS1192H	PWB	039-1944-21	PWB(WITHOUT COMPONENT)
J1	074-1138-60	10P	S1	013-7414-50	CHUCKING			

REMOVING MAIN PWB FOR REPAIR

No	Part Number	Part Name	QTY
A	311-1848-00	LOWER CASE	1
B	039-2422-00	MAIN PWB	1
C	816-2620-00	FLAT WIRE	1
D	731-3005-81	TAPTIGHT	3
E	929-0290-80	MECHANISM	1
F	313-1872-05	HEAT SINK	1
G	731-3012-80	TAPTIGHT	2
H	714-3006-81	MACHINE SCREW	2
I	731-3008-80	TAPTIGHT	4
J	714-2012-81	MACHINE SCREW	1
K	714-2606-87	MACHINE SCREW	2
L	370-6101-00	INNER ES	1
M	714-2604-81	MC SCREW	3
P	310-1775-05	UPPER CASE	1

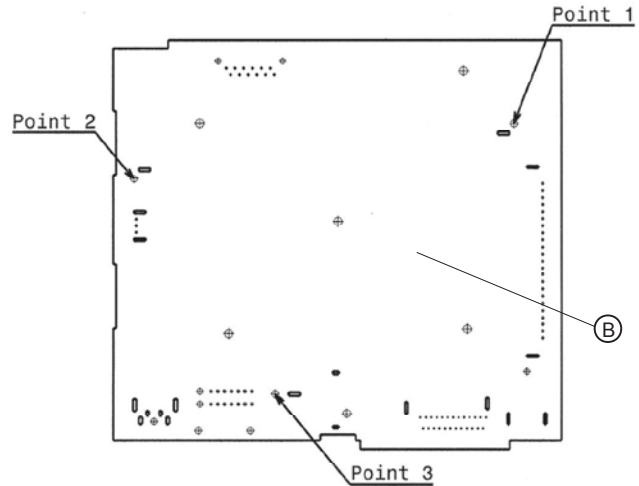


Figure 1

Step 1

Remove all screw (G) (H) (I) (J) , from Heat Sink.

Step 2

Remove Heat Sink (F) .

Step 3

Remove Lower Case (A) .

Step 4

Remove all screw (K) from Inner ES (L) .

Step 5

Remove Inner ES (L) .

Step 6

Unsolder 3 points on the Main PWB (B) ,
(Figure 1).

Step 7

After unsoldering Main PWB, remove flat wire (C)
between Main PWB (B) , and Mechanism (E) .

Step 8

Remove Main PWB (B) for repairing.

Step 9

Unscrew (M) and (D) from the upper case (P) ,
if the mechanism (E) needs replacement.

See from bottom side

