

9. EXPLODED VIEWS AND PARTS LIST

NOTES : • Parts marked by " * " are generally unavailable because they are not in our Master Spare Parts List.

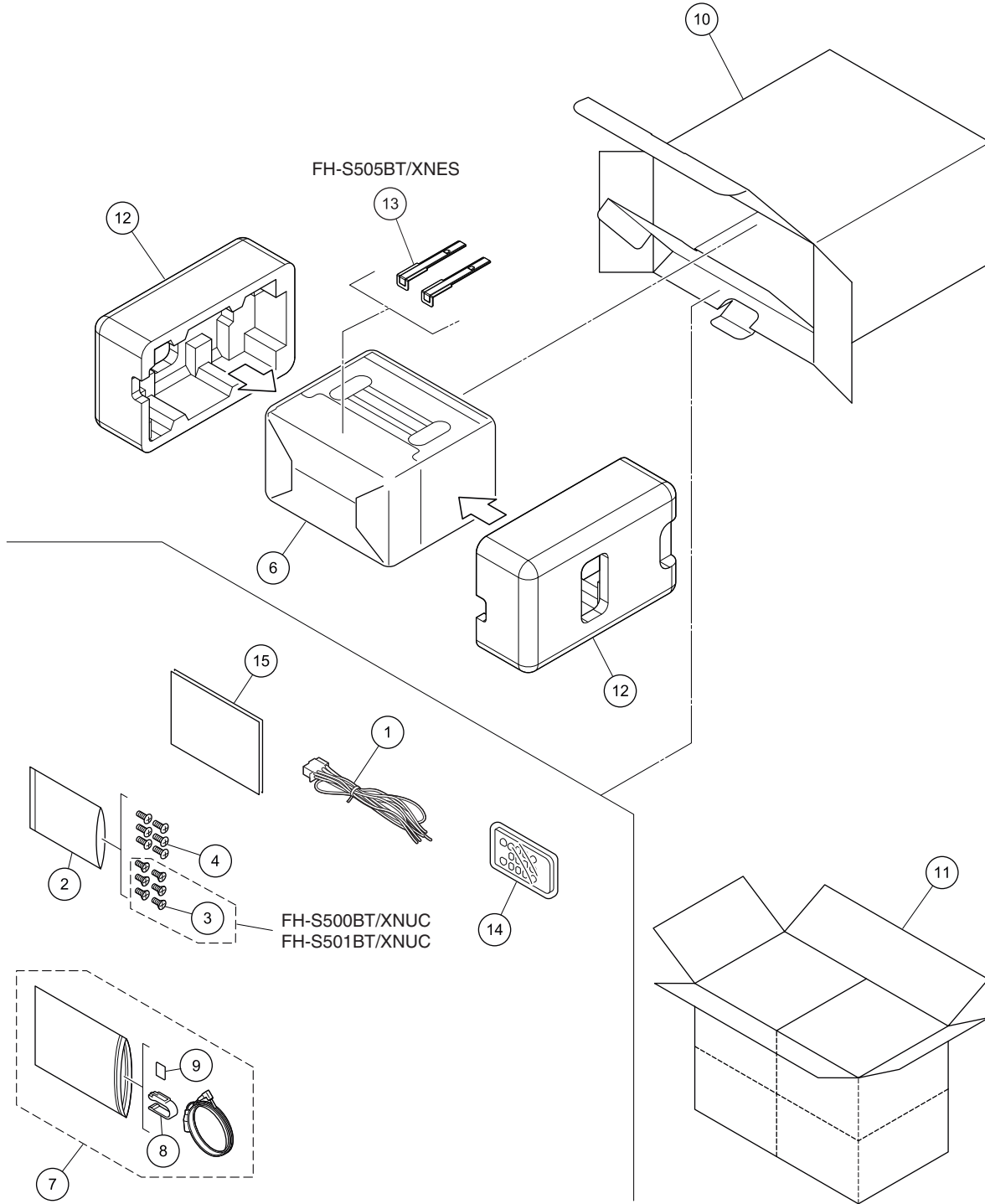
• The Δ mark found on some component parts indicates the importance of the safety factor of the part. Therefore, when replacing, be sure to use parts of identical designation.

• Screw adjacent to ∇ mark on the product are used for disassembly.

• For the applying amount of lubricants or glue, follow the instructions in this manual.

(In the case of no amount instructions, apply as you think it appropriate.)

9.1 PACKING SECTION



(1) PACKING SECTION PARTS LIST

<u>Mark No.</u>	<u>Description</u>	<u>Part No.</u>	<u>Mark No.</u>	<u>Description</u>	<u>Part No.</u>
1	Cord Assy	CDP1480	11	Contain Box	See Contrast table (2)
* 2	Polyethylene Bag	CEG1160	12	Protector	See Contrast table (2)
3	Screw	See Contrast table (2)	13	Handle	See Contrast table (2)
4	Screw	CBA2384	14	Card Remote Control Unit	CXE9605
5	•••••		15-1	Owner's Manual	See Contrast table (2)
6	Cover	See Contrast table (2)	15-2	Quick Start Guide	See Contrast table (2)
7	Microphone Assy	CPM1109	15-3	Web IM	See Contrast table (2)
8	Holder	CZN7192	* 15-4	Warranty Card	See Contrast table (2)
9	Cushion	CZN7193	* 15-5	Caution Card	See Contrast table (2)
10	Unit Box	See Contrast table (2)	* 15-6	Service Network	See Contrast table (2)

(2) CONTRAST TABLE

FH-S500BT/XNUC, FH-S501BT/XNUC, FH-S505BT/XNME, FH-S505BT/XNES, FH-S506BT/XNES and FH-S509BT/XNID are constructed the same except for the following:

Mark	No.	Symbol and Description	FH-S500BT /XNUC	FH-S501BT /XNUC	FH-S505BT /XNME	FH-S505BT /XNES	FH-S506BT /XNES	FH-S509BT /XNID
	3	Screw	CBA2383	CBA2383	Not used	Not used	Not used	Not used
	6	Cover	CEG1359	CEG1359	CEG1356	CEG1356	CEG1356	CEG1356
	10	Unit Box	QHG4134	QHG4135	QHG4136	QHG4137	QHG4138	QHG4139
	11	Contain Box	QHL4134	QHL4135	QHL4136	QHL4137	QHL4138	QHL4139
	12	Protector	QHP3044	QHP3044	QHP3044	QHP3045	QHP3044	QHP3044
	13	Handle	Not used	Not used	Not used	CND6289	Not used	Not used
	15-1	Owner's Manual	QRD3535	Not used	QRD3517	QRD3515	QRD3515	QRB3724
	15-2	Quick Start Guide	Not used	QRD3534	Not used	Not used	Not used	Not used
*	15-3	Web IM	See Contents of Web IM (3)	See Contents of Web IM (3)	Not used	Not used	Not used	Not used
*	15-4	Warranty Card	QRY3001	QRY3001	QRY3005	Not used	Not used	CRY1304
*	15-5	Caution Card	Not used	CRP1386	Not used	Not used	Not used	Not used
*	15-6	Service Network	Not used	Not used	QRY3006	Not used	Not used	Not used

Owner's Manual, Installation Manual

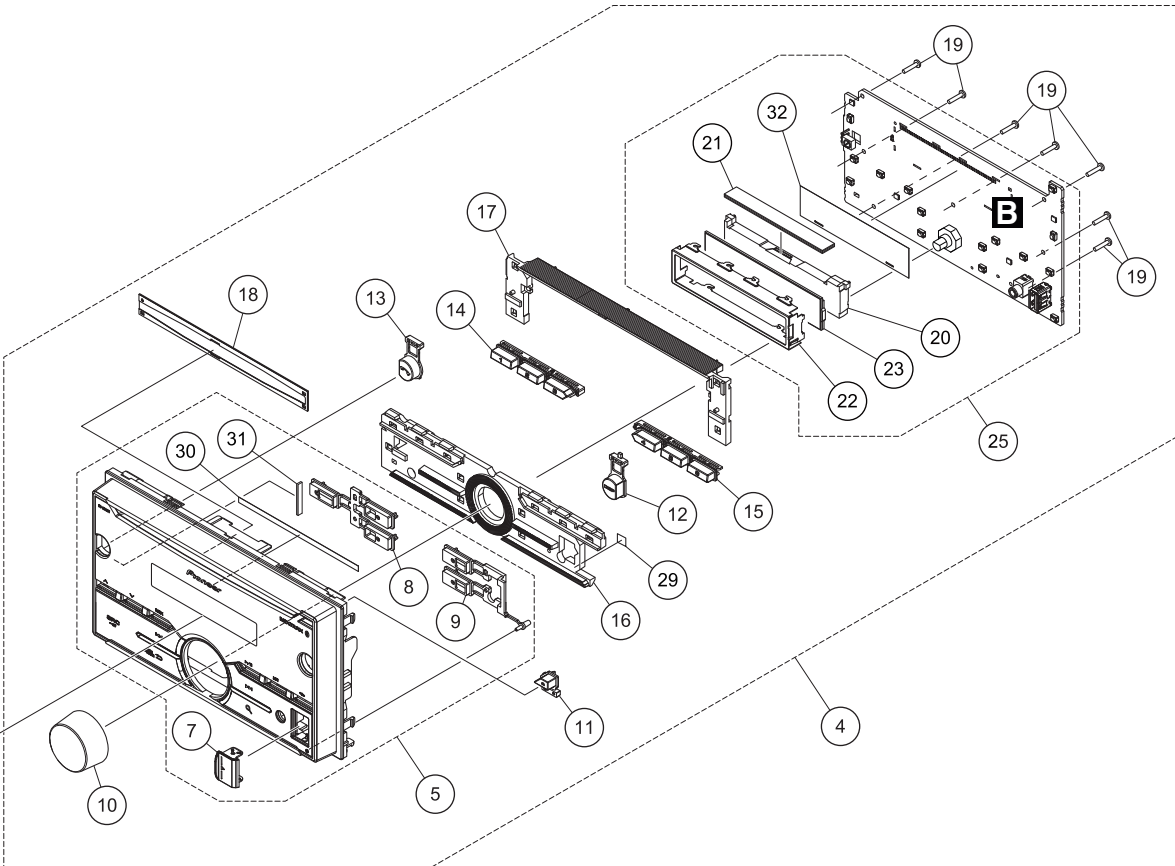
Part No.	Language
QRD3517	English, Spanish(Espanol)
QRD3515	English, Traditional Chinese, Arabic, Persian, Portuguese(B), Spanish(Espanol)
QRB3724	English
QRD3534	English, French, Spanish(Espanol)
QRD3535	English, French, Spanish(Espanol)

(3) CONTENTS OF WEB IM

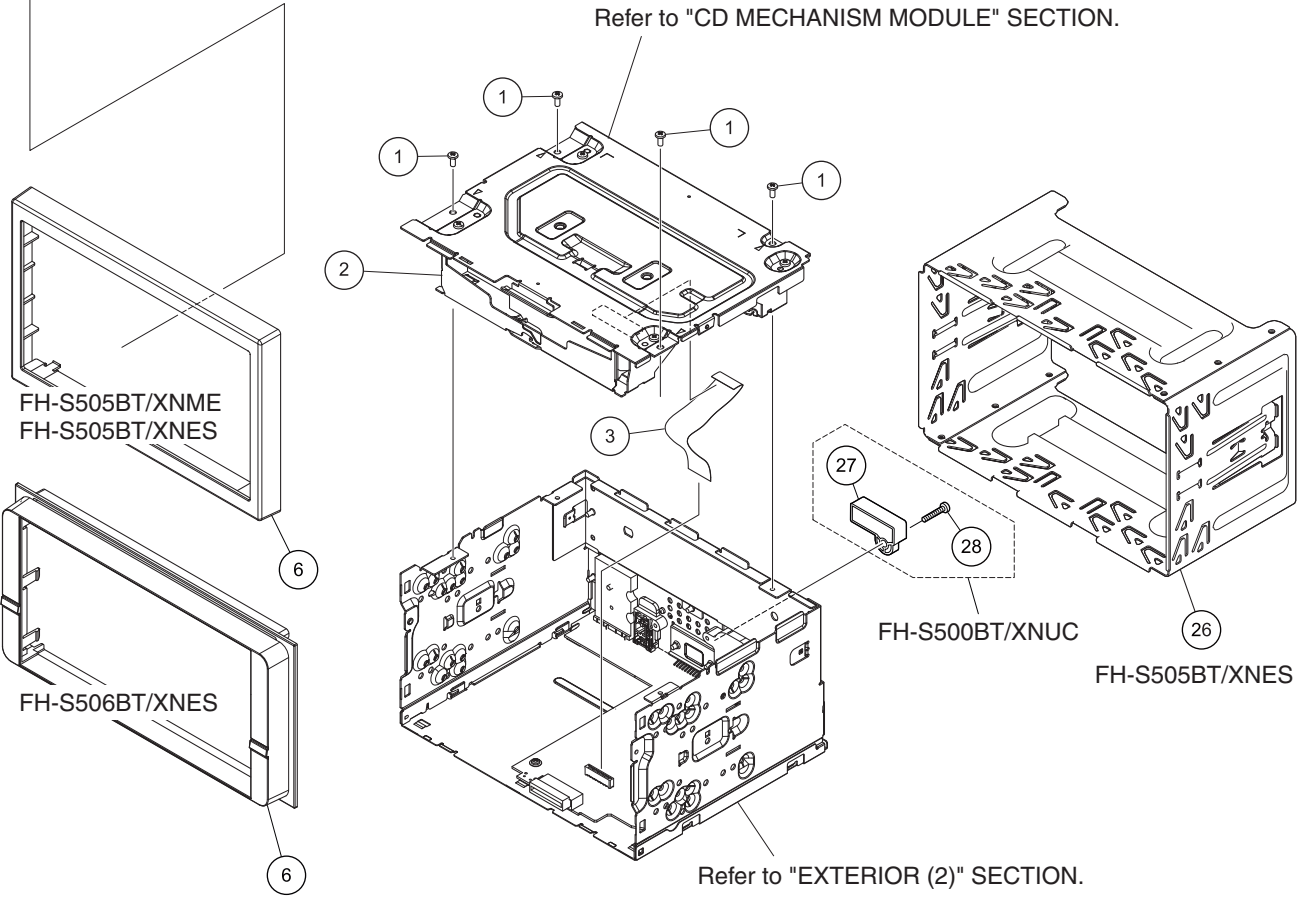
Part No.	Language
*QRI3028	English, French, Spanish(Espanol)

All operation manuals are supplied in PDF files by the WEB. No printed papers are available.

9.2 EXTERIOR (1) SECTION



Refer to "CD MECHANISM MODULE" SECTION.



Refer to "EXTERIOR (2)" SECTION.

(1) EXTERIOR (1) SECTION PARTS LIST

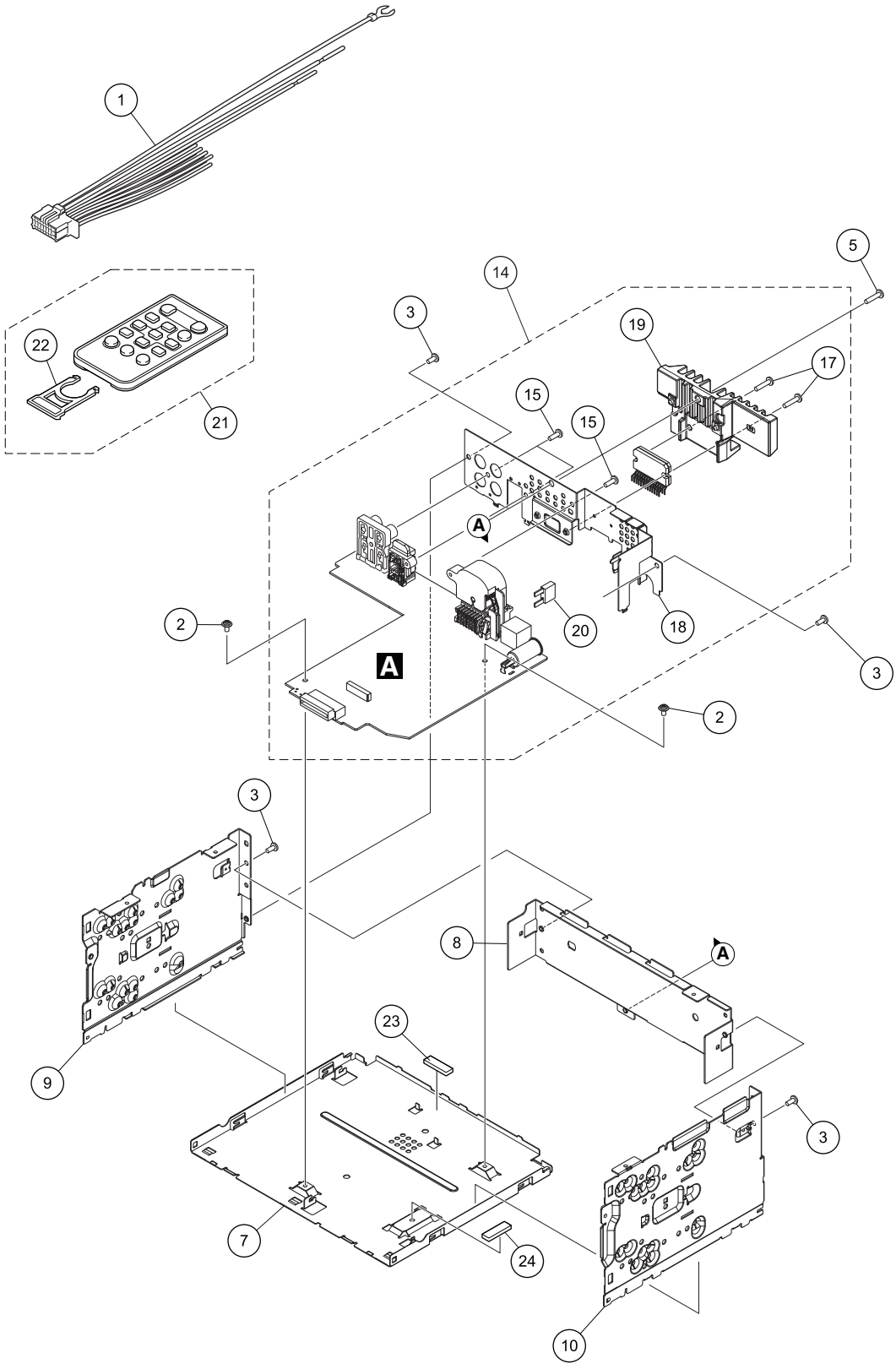
<u>Mark No.</u>	<u>Description</u>	<u>Part No.</u>	<u>Mark No.</u>	<u>Description</u>	<u>Part No.</u>
1	Screw	BSZ26P060FTC	16	Lighting Conductor	QNV3122
2	CD Mechanism Module(S11.6STD-FH)	CXK5806	17	Lighting Conductor	QNV3124
3	Cable	QDE3029	18	Cover	QNM3151
4	Grille Assy	See Contrast table (2)	19	Screw	BPZ20P100FTC
5	Grille Unit	See Contrast table (2)	20	Lighting Conductor	QNV3147
6	Panel	See Contrast table (2)	21	Rubber Connector	QNV3148
*	Door	QAT3032	22	Holder	QNC3161
*	Button	QAC3235	23	Segment LCD (V1802)	CAW2063
*	Button	QAC3236	24	•••••	
10	Knob Unit	QXA4278	25	Keyboard Unit	QWM4652
11	Button(EJECT)	QAC3230	26	Holder	See Contrast table (2)
12	Button(DISP)	QAC3231	27	Holder	See Contrast table (2)
13	Button(PHONE)	QAC3232	28	Screw	See Contrast table (2)
14	Button(1-3)	QAC3233	29	Sheet	QNM3145
15	Button(4-6)	QAC3234	*	30 Sheet	QNM3213
			*	31 Cushion	QNM3152
				32 Sheet	QNM3159

(2) CONTRAST TABLE

FH-S500BT/XNUC, FH-S501BT/XNUC, FH-S505BT/XNME, FH-S505BT/XNES, FH-S506BT/XNES and FH-S509BT/XNID are constructed the same except for the following:

Mark	No.	Symbol and Description	FH-S500BT /XNUC	FH-S501BT /XNUC	FH-S505BT /XNME	FH-S505BT /XNES	FH-S506BT /XNES	FH-S509BT /XNID
	4	Grille Assy	QXA5222	QXA5223	QXA5224	QXA5224	QXA5236	QXA5237
	5	Grille Unit	QXA5212	QXA5213	QXA5214	QXA5214	QXA5231	QXA5232
	6	Panel	Not used	Not used	QNS4003	QNS4003	QNS4004	Not used
	26	Holder	Not used	Not used	Not used	CND7102	Not used	Not used
	27	Holder	CNV7619	Not used	Not used	Not used	Not used	Not used
	28	Screw	BSZ30P160FTC	Not used	Not used	Not used	Not used	Not used

9.3 EXTERIOR (2) SECTION



(1) EXTERIOR (2) SECTION PARTS LIST

<u>Mark No.</u>	<u>Description</u>	<u>Part No.</u>	<u>Mark No.</u>	<u>Description</u>	<u>Part No.</u>
1	Cord Assy	CDP1480	16	•••••	
2	Screw	ASZ26P050FTC	17	Screw	BSZ26P120FTC
3	Screw	BSZ26P060FTC	18	Holder	QNC3165
4	•••••		19	Heat Sink	See Contrast table (2)
5	Screw	BSZ26P120FTC	⚠ 20	Fuse(10 A)	YEK5001
6	•••••		21	Card Remote Control Unit	CXE9605
7	Case	QNB3055	22	Cover	CNU3681
8	Holder	QNC3057	23	Heat Cond Sheet	QNM3130
9	Bracket	QNC3093	24	Heat Cond Sheet	QNM3223
10	Bracket	QNC3094			
11	•••••				
12	•••••				
13	•••••				
14	Tuner Amp Unit	See Contrast table (2)			
15	Screw	BPZ26P080FTC			

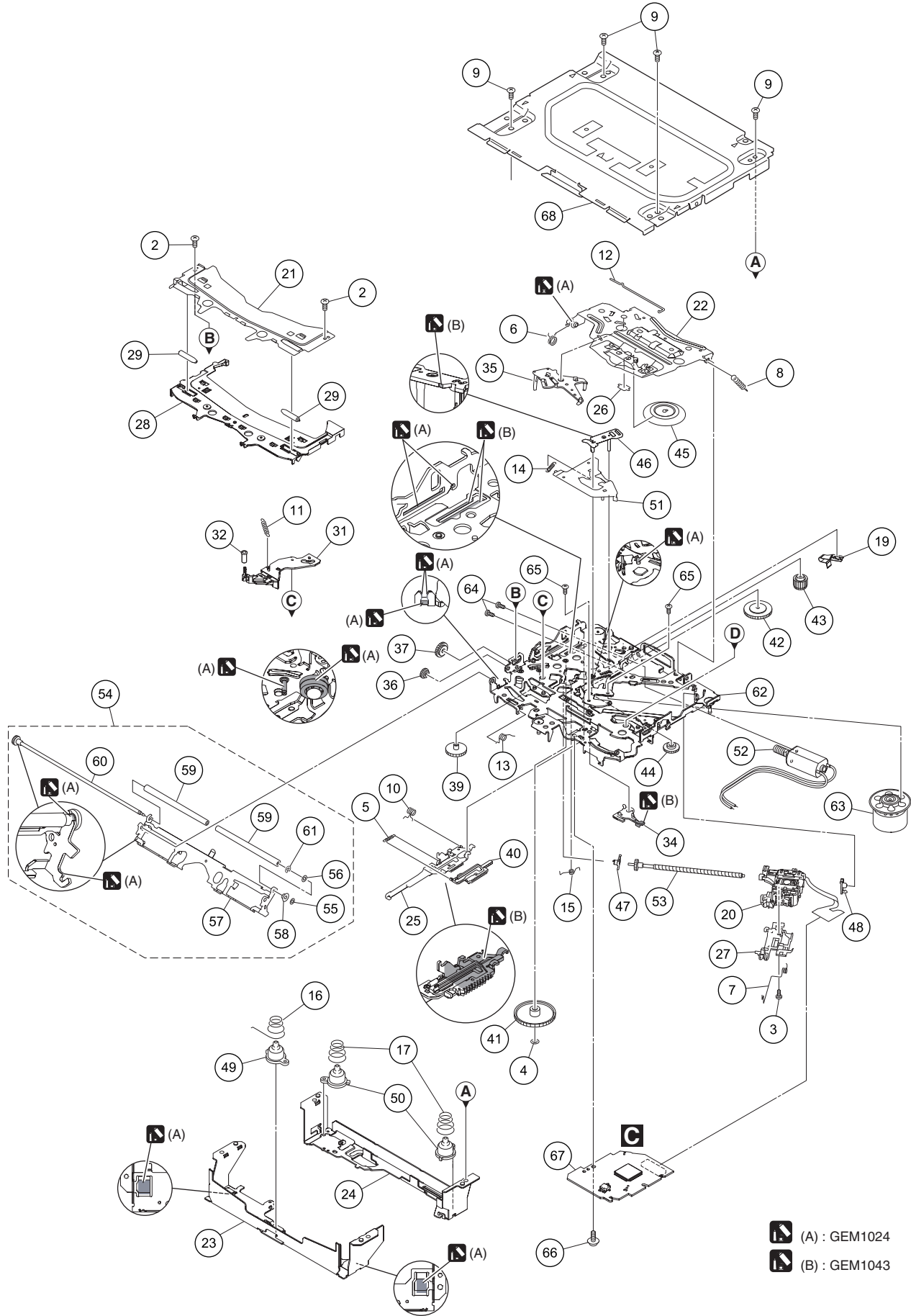
(2) CONTRAST TABLE

FH-S500BT/XNUC, FH-S501BT/XNUC, FH-S505BT/XNME, FH-S505BT/XNES, FH-S506BT/XNES and FH-S509BT/XNID are constructed the same except for the following:

Mark	No.	Symbol and Description	FH-S500BT /XNUC	FH-S501BT /XNUC	FH-S505BT /XNME	FH-S505BT /XNES	FH-S506BT /XNES	FH-S509BT /XNID
	14	Tuner Amp Unit	QWM4614	QWM4613	QWM4696	QWM4615	QWM4697	QWM4616
	19	Heat Sink	QNR3010	QNR3010	QNR3002	QNR3002	QNR3002	QNR3002

9.4 CD MECHANISM MODULE

A
B
C
D
E
F



(A) : GEM1024
(B) : GEM1043

CD MECHANISM MODULE SECTION PARTS LIST

<u>Mark No.</u>	<u>Description</u>	<u>Part No.</u>	<u>Mark No.</u>	<u>Description</u>	<u>Part No.</u>	
1	•••••		46	Arm	CNW1192	
2	Screw	BSZ20P040FTC	47	Holder	CNW1193	A
3	Screw(M2 x 4)	CBA1835	48	Holder	CNW1194	
4	Washer	CBF1038	49	Damper	CNW1197	
5	Spring	CBH3010	50	Damper	CNW1198	
6	Spring	CBH2855	51	Arm	CNW1726	
7	Spring	CBH2856	52	Motor Unit(M2)(LOAD/CRG)	CXC4026	
8	Spring	CBH2860	53	Screw Unit	CXC8894	
9	Screw	BSZ26P060FTC	54	Arm Assy	CXE6232	
10	Spring	CBH3011	55	Washer	CBF1037	
11	Coil Spring	CBH3095	56	Washer	CBF1038	B
12	Spring	CBH3014	57	Arm	CND6242	
13	Spring	CBH3015	58	Collar	CNW2444	
14	Spring	CBH3016	59	Roller	CNW2500	
15	Spring	CBH3017	60	Gear Unit	CXE6225	
16	Spring	CBH3086	61	Washer	YE15FTC	
17	Spring	CBH3019	62	Chassis Unit	CXE4528	
18	•••••		63	Motor Unit(M1)(SPDL)	CXE2273	
19	Leaf Spring	CBL1824	64	Screw	JFZ20P025FTC	
20	Pickup Unit(P10.6)(Service)	CXX3556	65	Screw	JGZ17P022FTC	C
21	Bracket	CND4553	66	Screw	EBA1028	
22	Arm	CND6406	67	CD Core Unit (S11.6STD)	CWX4023	
23	Bracket	CND6127	68	Case	CNB3762	
24	Bracket	CND5710				
25	Lever	CND6834				
26	Sheet	CNN3678				
27	Rack	CNV8342				
28	Guide	CNW3489				
29	Roller	CNW1172				D
30	•••••					
31	Arm	CNW2241				
32	Roller	CNW1175				
33	•••••					
34	Arm	CNW1177				
35	Arm	CNW1178				
36	Gear	CNW1180				
37	Gear	CNW1181				
38	•••••					E
39	Gear	CNW1183				
40	Rack	CNW1184				
41	Gear	CNW1185				
42	Gear	CNW1186				
43	Gear	CNW1187				
44	Gear	CNW2287				
45	Clamper	CNW1190				F

5		6		7		8	
<u>Circuit Symbol and No.</u>		<u>Part No.</u>	<u>Circuit Symbol and No.</u>		<u>Part No.</u>		
D 1206	Diode	DZ2S068C	U 1001	BT Module	CWX4751		
			CN1101	Connector	VKN1192		
D 1207	Diode	DZ2S068C					
D 1208	Diode	DZ2S068C	CN1201	Connector	CKS6452		A
D 1209	Diode	DZ2S068C	JA 101	Plug	CKM1624		
D 1210	Diode	DZ2S068C	JA851	Antenna Jack	CKX1104		
D 1301	Diode(D,E)	RR264MM-400TF	JA 1241	Jack	CKB1109		
			JA 1276	Jack	CKN1103		
D 1302	Diode	RR264MM-400TF					
D 1303	Schottky Diode	RB751SM-40	RESISTORS				
L 101	Choke Coil	CTH1620	R 111		RS1/16SS223J		
L 201	SMD Inductor	CTH1521	R 112		RS1/16SS473J		
L 202	SMD Inductor	CTH1524	R 113		RS1/16SS682J		
			R 114		RS1/4SA102J		
			R 141		RS1/16SS104J		
L 203	Chip Beads	VTL1133					
L 441	Inductor	CTF1736					
L 501	Chip Beads	VTL1133	R 142		RS1/16SS473J		B
L 502	Inductor	CTF1645	R 143		RS1/16SS103J		
L 511	Chip Beads	VTL1133	R 144		RS1/16SS472J		
			R 145		RS1/16SS0R0J		
			R 201		RS1/16SS102J		
L 513	Chip Beads	VTL1133					
L 514	Chip Beads	VTL1126					
L 515	Chip Beads	VTL1133	R 202		RS1/16SS3303D		
L 516	Chip Beads	VTL1133	R 203		RS1/10SR0R0J		
L 517	Chip Beads	VTL1133	R 204		RS1/10SR0R0J		
			R 206		RS1/16SS472J		
			R 207		RS1/16SS103J		
L 518	Chip Beads	VTL1133					
L 519	Chip Beads	VTL1133					
L 520	Chip Beads	VTL1133	R 208		RS1/16SS473J		C
L 711	Chip Beads	VTL1133	R 209		RS1/10SR472J		
L 731	Chip Beads	VTL1126	R 210		RS1/16SS103J		
			R 211		RS1/10SR472J		
			R 212		RS1/16SS103J		
L 741	Chip Beads	VTL1133					
L 742	Chip Beads	VTL1126					
L 854	Inductor	LCMAR27J1608	R 213		RS1/16SS132J		
L 855	Inductor	CTF1786	R 214		RS1/16SS102J		
L 856	Inductor(A,B,C)	CTF1389	R 215		RS1/16SS2403D		
			R 216		RS1/16SS7502D		
			R 217		RS1/16SS4303D		
L 857	Inductor(D,E,F)	LCYAR82J2016					
L 858	Chip Coil(D,E,F)	LCTAWR27J2520					
L 859	Chip Coil(D,E,F)	LCTAW3R3J2520	R 218		RS1/16SS4303D		
L 860	Inductor(A,B,C)	LCYC150K1608	R 219		RS1/16SS273J		D
L 1001	Inductor	CTF1786	R 220		RS1/16SS474J		
			R 221		RS1/16SS473J		
			R 222		RS1/16SS6802D		
L 1101	Inductor	CTF1389					
L 1102	Chip Beads	VTL1133					
L 1103	Chip Beads	VTL1133	R 223	30 mohm	CCN1401		
L 1104	Chip Beads	VTL1133	R 224		RS1/16SS6802D		
L 1201	Inductor	CTF1713	R 225		RS1/16SS102J		
			R 226		RS1/16SS1203D		
			R 227		RS1/16SS1802D		
L 1231	Chip Beads	VTL1133					
L 1232	Chip Beads	VTL1133					
L 1276	Chip Beads	VTL1126	R 229		RS1/16SS3902D		
L 1277	Chip Beads	VTL1126	R 230		RS1/16SS682J		
L 1294	Chip Beads	VTL1126	R 231		RS1/16SS4703D		E
			R 232		RS1/16SS1503D		
			R 233		RS1/16SS1003D		
L 1295	Chip Beads	VTL1126					
L 1296	Chip Beads	VTL1126					
L 1297	Chip Beads	VTL1126	R 234		RS1/16SS7503D		
T 851	Variable Coil	CTC1215	R 235		RS1/16SS1603D		
X 501	Resonator 24 MHz	CSS1773	R 236		RS1/16SS103J		
			R 238		RS1/16SS103J		
			R 239		RS1/16SS101J		
X 502	Resonator 32.768 kHz	CSS1807					
X 851	Crystal Resonator	CSS1868					
P 852	Surge Absorber	IMSA-6803-01Y900	R 240		RS1/16SS101J		
P 1243	Poly Switch	FSMD075-24R	R 241		RS1/16SS680J		
P 1276	Poly Switch	FSMD075-24R	R 242		RS1/16SS4701D		
			R 243		RS1/16SS393J		F
			R 244		RS1/16SS103J		
VA1101	SMD Varistor	MLV0402ES012V0010N					
VA1201	SMD Varistor	MLV0402ES012V0010N					
VA1202	SMD Varistor	MLV0402ES012V0010N	R 248		RS1/16SS473J		

Circuit Symbol and No.Part No.Circuit Symbol and No.Part No.

	R 250		RS1/10SR471J		R 561		RS1/16SS103J
	R 263		RS1/10SR103J		R 562		RS1/16SS472J
A	R 269		RS1/16SS101J		R 563		RS1/16SS472J
	R 301		RS1/10SR0R0J		R 564		RS1/16SS472J
					R 566		RAB4CQ103J
	R 441		RS1/16SS103J				
	R 442		RS1/10SR221J		R 567		RS1/16SS472J
	R 503		RS1/16SS100J		R 568		RS1/16SS0R0J
	R 504		RS1/16SS100J		R 570		RS1/16SS221J
	R 505		RS1/16SS221J		R 571		RS1/16SS221J
					R 572		RS1/16SS472J
	R 506		RS1/16SS473J				
	R 507		RS1/16SS473J		R 573		RS1/16SS473J
	R 508		RS1/16SS473J		R 574		RS1/16SS473J
	R 509		RS1/16SS473J		R 575		RS1/16SS473J
B	R 510		RS1/16SS473J		R 578		RS1/16SS473J
					R 579		RS1/16SS473J
	R 511		RS1/16SS473J				
	R 512		RS1/16SS0R0J		R 580		RS1/16SS473J
	R 513		RS1/16SS222J		R 581		RS1/16SS0R0J
	R 514		RS1/16SS101J		R 583		RS1/16SS0R0J
	R 515		RS1/16SS103J		R 584		RS1/16SS102J
					R 585		RS1/16SS0R0J
	R 516		RS1/16SS101J				
	R 517		RS1/16SS103J		R 586		RS1/16SS103J
	R 518	(A,B,C)	RS1/16SS472J		R 587		RS1/16SS0R0J
	R 519		RS1/16SS271J		R 588		RS1/16SS221J
	R 521		RS1/16SS473J		R 589		RS1/16SS0R0J
C					R 590		RS1/16SS221J
	R 522		RS1/16SS0R0J				
	R 524		RS1/16SS3001D		R 591		RS1/16SS361J
	R 525		RS1/16SS103J		R 597		RS1/16SS102J
	R 526		RS1/16SS1213F		R 599		RS1/16SS102J
	R 527	(D,E,F)	RS1/16SS472J		R 603		RS1/16SS101J
					R 604		RS1/16SS101J
	R 530		RS1/16SS472J				
	R 531		RS1/16SS222J		R 605		RS1/16SS101J
	R 532		RS1/16SS222J		R 611		RS1/16SS472J
	R 533		RS1/10SR103J		R 612		RS1/16SS473J
	R 534		RS1/10SR103J		R 614		RS1/16SS473J
					R 615		RS1/16SS103J
D	R 535		RS1/10SR0R0J				
	R 536		RS1/16SS472J		R 617		RS1/16SS473J
	R 538	(A,C)	RS1/16SS473J		R 627		RS1/16SS153J
	R 538	(D)	RS1/16SS103J		R 628		RS1/16SS153J
	R 538	(E)	RS1/16SS223J		R 629		RS1/16SS472J
					R 630		RS1/16SS101J
	R 539	(A,C)	RS1/16SS103J				
	R 539	(B,D,E,F)	RS1/16SS473J		R 631		RS1/16SS0R0J
	R 540		RS1/16SS103J		R 632		RS1/16SS101J
	R 541		RS1/16SS103J		R 633		RS1/16SS101J
	R 542		RS1/10SR0R0J		R 634		RS1/16SS101J
					R 635		RS1/16SS101J
E	R 543		RS1/10SR0R0J				
	R 544		RS1/16SS102J		R 636		RS1/16SS101J
	R 546		RS1/16SS273J		R 637		RS1/16SS221J
	R 547		RS1/16SS473J		R 638		RS1/16SS221J
	R 548		RS1/16SS102J		R 639	(A,B,C)	RS1/16SS101J
					R 640		RS1/16SS101J
	R 550		RS1/16SS103J				
	R 551		RS1/16SS103J		R 642		RS1/16SS221J
	R 552		RS1/16SS102J		R 643		RS1/16SS101J
	R 554		RS1/16SS222J		R 644		RS1/16SS473J
	R 555		RS1/16SS135J		R 645		RS1/16SS101J
					R 646		RS1/16SS101J
	R 556		RS1/16SS101J				
	R 557		RS1/16SS101J		R 647		RS1/16SS102J
F	R 558		RS1/16SS222J		R 648		RS1/16SS102J
	R 559		RS1/16SS222J		R 650		RS1/16SS101J
	R 560		RS1/16SS473J		R 651		RS1/16SS102J
					R 652		RS1/16SS101J

<u>Circuit Symbol and No.</u>	<u>Part No.</u>	<u>Circuit Symbol and No.</u>	<u>Part No.</u>
		R 770	RS1/10SR0R0J
R 653	RS1/16SS0R0J		
R 657	RS1/16SS101J	R 851	RS1/16SS105J
R 658	RS1/16SS101J	R 852	RS1/16SS105J
R 659	RS1/16SS101J	R 853 (A,B,C)	RS1/16SS391J
R 660	RS1/16SS101J	R 853 (D,E,F)	RS1/16SS101J
		R 864	RS1/16SS103J
R 661	RS1/16SS101J		
R 663	RS1/16SS101J	R 868	RS1/16SS103J
R 664	RS1/16SS101J	R 870	RS1/16SS101J
R 665 (D,E,F)	RS1/16SS222J	R 871	RS1/16SS0R0J
R 672	RS1/16SS101J	R 872	RS1/16SS0R0J
		R 873	RS1/16SS182J
R 690	RS1/16SS472J		
R 701 (A,B,C)	RS1/16SS103J	R 874	RS1/16SS101J
R 702 (A,B,C)	RS1/16SS472J	R 875	RS1/16SS472J
R 703 (A,B,C)	RS1/16SS101J	R 890	RS1/16SS0R0J
R 704 (A,B,C)	RS1/16SS101J	R 1001	RS1/16SS0R0J
		R 1002	RS1/16SS221J
R 705 (A,B,C)	RS1/16SS222J		
R 706 (A,B,C)	RS1/16SS222J	R 1004	RS1/16SS473J
R 707 (A,B,C)	RS1/16SS472J	R 1005	RS1/16SS221J
R 708 (A,B,C)	RS1/16SS272J	R 1006	RS1/16SS0R0J
R 709 (A,B,C)	RS1/16SS473J	R 1007	RS1/16SS0R0J
		R 1011	RS1/16SS221J
R 710 (A,B,C)	RS1/16SS0R0J		
R 714	RAB4CQ121J	R 1012	RS1/16SS221J
R 715	RAB4CQ121J	R 1013	RS1/16SS0R0J
R 716	RAB4CQ121J	R 1017	RS1/16SS473J
R 717	RAB4CQ121J	R 1018	RS1/16SS473J
		R 1101	RS1/16SS104J
R 718	RAB4CQ121J		
R 719	RAB4CQ121J	R 1104	RS1/16SS472J
R 720	RAB4CQ121J	R 1105	RS1/16SS221J
R 721	RAB4CQ121J	R 1106	RS1/16SS221J
R 722	RAB4CQ121J	R 1107	RS1/16SS101J
		R 1108	RS1/16SS221J
R 723	RS1/10SR0R0J		
R 724	RS1/16SS121J	R 1109	RS1/16SS101J
R 731	RS1/16SS330J	R 1110	RS1/16SS102J
R 732	RS1/16SS330J	R 1112	RS1/16SS221J
R 733	RS1/16SS103J	R 1114	RS1/16SS473J
		R 1115	RS1/16SS472J
R 734	RS1/16SS103J		
R 735	RS1/16SS103J	R 1116	RS1/16SS472J
R 736	RS1/16SS330J	R 1117	RS1/16SS472J
R 737	RS1/16SS330J	R 1119	RS1/16SS473J
R 741	RS1/16SS330J	R 1120	RS1/16SS151J
		R 1121	RS1/16SS151J
R 742	RS1/16SS103J		
R 743	RS1/16SS103J	R 1122	RS1/16SS151J
R 744	RS1/16SS330J	R 1203	RS1/16SS223J
R 745	RS1/16SS330J	R 1204	RS1/16SS223J
R 746	RS1/16SS103J	R 1205	RS1/10SR222J
		R 1206	RS1/10SR221J
R 747	RS1/16SS330J		
R 748	RS1/16SS330J	R 1207	RS1/10SR221J
R 749	RS1/16SS330J	R 1208	RS1/10SR0R0J
R 750	RS1/16SS103J	R 1209	RS1/10SR222J
R 751	RS1/16SS103J	R 1210	RS1/10SR222J
		R 1211	RS1/10SR222J
R 753	RS1/16SS103J		
R 754	RS1/16SS330J	R 1212	RS1/10SR222J
R 761	RS1/10SR221J	R 1213	RS1/16SS123J
R 763	RS1/16SS101J	R 1214	RS1/10SR222J
R 764	RS1/16SS101J	R 1215	RS1/10SR101J
		R 1217	RS1/16SS101J
R 766	RS1/16SS0R0J		
R 767	RS1/16SS104J	R 1243	RS1/16SS821J
R 768	RS1/16SS181J	R 1244	RS1/16SS821J
R 769	RS1/8SQ0R0J	R 1245	RS1/16SS821J

Circuit Symbol and No.**Part No.****Circuit Symbol and No.****Part No.**

R 1246		RS1/16SS821J	C 211	CKSQYX106K10
R 1247		RS1/16SS223J	C 212	CEAT102M16
			C 213	CKSSYB222K50
A R 1248		RS1/16SS223J	C 214	CKSRYX106M6R3
R 1249		RS1/16SS223J		
R 1250		RS1/16SS223J	C 215	CKSRYB104K16
R 1254		RS1/16SS0R0J	C 216	CKSRYX104K50
R 1256		RS1/16SS0R0J	C 217	CCSRCH102J50
			C 218	CKSYX106K35
			C 220	CKSYX106K35
R 1276 (C,D,E,F)		RS1/16SS8201D		
R 1277 (C,D,E,F)		RS1/16SS6800D		
R 1279 (C,D,E,F)		RS1/16SS6800D	C 221	CKSYX106K35
R 1278		RS1/16SS102J	C 222	CEVW221M16
R 1280		RS1/16SS102J	C 223	CCSSCH221J50
			C 224	CKSRYB105K10
			C 225	CKSRYB105K10
B R 1281		RS1/16SS101J		
R 1282		RS1/16SS101J		
R 1283 (C,D,E,F)		RS1/16SS8201D	C 227	CCSSCH221J50
R 1284		RS1/16SS0R0J	C 228	CCSSCH102J50
R 1285		RS1/16SS0R0J	C 230	CKSQYX106K10
			C 231	CKSRYB104K16
			C 232	CEHVW101M6R3
R 1301		RS1/16SS123J		
R 1302		RS1/16SS103J		
R 1303		RS1/16SS221J	C 234	CKSRYX475K6R3
R 1304		RS1/16SS0R0J	C 236	CKSYX106K35
R 1306		RS1/16SS103J	C 237	CKSRYB104K16
			C 238	CKSYX226M16
			C 239	CCSSCH100D50
R 1307		RS1/16SS0R0J		
C R 1308 (A,B,C,F)		RS1/8SQ0R0J	C 240	CCSSCH100D50
R 1309 (A,B,C,F)		RS1/8SQ0R0J	C 241	CKSQYX106K10
R 1310 (D,E)		RS1/8SQ0R0J	C 242	CKSRYB104K16
R 1311 (D,E)		RS1/8SQ0R0J	C 243	CKSYX106K35
			C 247	CKSRYB105K10
R 1312		RS1/16SS103J		
R 1313		RS1/16SS102J		
R 1314 (D,E)		RS1/8SQ0R0J	C 248	CKSRYX105K50
R 1321		RS1/16SS0R0J	C 249	CCSSCH820J50
R 1322		RS1/16SS0R0J	C 250	CKSRYX225K10
			C 251	CKSRYB105K10
			C 252	CKSRYX475K6R3
R 1323		RS1/16SS0R0J		
R 1324		RS1/16SS0R0J		
D R 1421		RS1/16SS0R0J	C 253	CKSRYX105K50
R 1422		RS1/16SS0R0J	C 255	CKSSYX105K10
R 1427		RS1/16SS0R0J	C 257	CKSYX106K35
			C 259	CKSQYX106K10
			C 260	CKSQYX106K10

CAPACITORS

C 101	2 200 uF/16 V	CCH1405		
C 102		CKSRYB103K50	C 261	CKSSYB104K10
C 103		CKSSYB102K50	C 270	CKSRYX475K6R3
C 104		CKSSYB102K50	C 441	CCSRCH101J50
C 105		CKSSYB102K50	C 442	CKSQYX106K10
			C 443	CCSRCH101J50
C 106		CKSSYB102K50		
C 107		CKSSYB102K50	C 444	CKSQYX106K10
E C 108		CKSSYB102K50	C 502	CKSSYB104K10
C 109		CKSSYB102K50	C 503	CKSRYX475K6R3
C 110		CKSSYB102K50	C 505	CKSSYB104K10
			C 506	CKSRYX475K6R3
C 111		CKSRYX104K50		
C 201		CCSSCH681J50	C 507	CKSRYX475K6R3
C 202		CEVW221M16	C 508	CKSSYB104K10
C 203		CKSRYX106M6R3	C 509	CKSRYX475K6R3
C 204		CEVQW221M6R3	C 510	CKSSYB104K10
			C 511	CKSRYX475K6R3
C 205		CKSRYX105K50		
C 206		CKSYX106K35	C 512	CKSSYB104K10
C 207		CKSSYB104K10	C 513	CKSRYX475K6R3
F C 208		CCSSCH471J50	C 514	CKSSYB104K10
C 209		CCSSCH681J50	C 515	CKSSYX105K10
			C 516	CKSRYX225K16
C 210	2 200 uF/16 V	CCH1405		

<u>Circuit Symbol and No.</u>	<u>Part No.</u>	<u>Circuit Symbol and No.</u>	<u>Part No.</u>
C 517	CKSSYB104K10	C 718	CKSSYX105K10
C 518	CCSSCH100D50	C 719	CKSSYB104K10
C 519	CCSSCH100D50	C 721	CKSRX105K16
C 520	CKSRX475K6R3	C 722	CKSSYB104K10
C 521	CKSSYB104K10	C 723	CCSSCH102J50
C 522	CKSRX475K6R3	C 729	CKSQYX106K10
C 523	CKSRX475K6R3	C 731	CKSSYB104K10
C 524	CKSRX475K6R3	C 741	CKSRX225K10
C 525	CKSRX106M6R3	C 742	CKSSYB104K10
C 526	CKSSYB103K16	C 743	CKSSYB104K10
C 527	CKSRX106M6R3	C 761	CKSRXB105K10
C 528	CKSSYB103K16	C 762	CKSRXB105K10
C 529	CKSSYB104K10	C 763	CKSRXB105K10
C 530	CKSRX475K6R3	C 769	CKSRXB105K10
C 531	CKSSYX105K10	C 770	CKSRXB105K10
C 532	CKSSYX105K10	C 771	CKSRXB105K10
C 533	CKSRX475K6R3	C 772	CKSRXB105K10
C 534	CKSSYB104K10	C 773	CKSRXB105K10
C 535	CEVW221M10	C 774	CCSSCH151J50
C 536	CCSSCH101J50	C 775	CCSSCH151J50
C 537	CKSSYB103K16	C 776	CKSRX104K50
C 538	CKSRX106M6R3	C 777	CKSYX106K35
C 539	CKSSYB103K16	C 778	CKSRXB105K10
C 540	CKSRX106M6R3	C 779	CKSQYX106K10
C 541	CKSSYB222K50	C 780	CKSSYB104K16
C 542	CKSSYB104K10	C 781	CKSRXB105K10
C 543	CKSSYX105K10	C 782	CKSRXB105K10
C 544	CKSSYB473K16	C 783	CKSRXB105K10
C 545	CCSSCH100D50	C 784	CKSRXB105K10
C 546	CCSSCH120J50	C 785	CKSRXB105K10
C 551	CKSSYB104K10	C 787	CKSQYX106K16
C 552	CKSRX475K6R3	C 788	CKSQYX106K16
C 553	CKSQYX106K10	C 790	CKSQYX106K10
C 555	CKSSYB103K16	C 791	CKSRXB103K50
C 556	CKSSYB104K10	C 794	CCSRCH101J50
C 559	CKSQYB224K50	C 853	CCSSCH100D50
C 560	CKSSYB103K16	C 854	CCSSCH471J50
C 565	CCSRCH270J50	C 856	CKSRX104K50
C 566	CCSRCH330J50	C 857	CKSRX104K50
C 569	CCSSCH101J50	C 858	CCSSCH220J50
C 573	CCSRCH101J50	C 859	CCSSCH331J50
C 574	CCSSCH101J50	C 860	CCSSCK2R0C50
C 575	CKSSYB104K10	C 861	CCSSCK1R0C50
C 576	CKSSYB102K50	C 862	CCSSCK1R0C50
C 577	CCSSCH101J50	C 863	CCSSCH120J50
C 580	CKSRXB104K16	C 865	CKSRX225K10
C 588	CKSSYB104K10	C 866	CKSSYB224K6R3
C 590	CKSSYB472K25	C 867	CKSSYB102K50
C 591	CKSSYB472K25	C 870	CCSSCH102J50
C 592	CKSSYB472K25	C 872	CKSSYB104K10
C 593	CKSSYB472K25	C 874	CCSSCH390J50
C 595	CKSSYB472K25	C 875	CKSSYB104K10
C 701 (A,B,C)	CKSSYB104K10	C 878	CKSSYB152K50
C 702 (A,B,C)	CKSSYB104K10	C 882	CKSSYX105K10
C 712	CKSSYX105K10	C 884	CKSSYB104K16
C 713	CKSSYB104K10	C 885	CCG1318
C 714	CKSSYX105K10	C 890	CKSRX106M6R3
C 715	CKSSYX105K10	C 891	CKSRX225K10
C 716	CKSSYX105K10	C 1003	CKSRXB104K16
C 717	CKSRX475K6R3		

Circuit Symbol and No.Part No.Circuit Symbol and No.Part No.

C 1004 CKSRYB104K16

Q 1954 Bipolar Transistor

LSCR523UB

C 1101 CKSSYB103K16

D 1901 Diode

SZESD7351HG

C 1105 CKSSYX105K10

D 1902 Diode

SZESD7351HG

C 1106 CKSSYX105K10

D 1921 Diode

DZ2S068C

C 1109 CCSSCH102J50

D 1922 Diode

DZ2S068C

C 1201 CCSRCH102J50

D 1923 Diode

DZ2S068C

C 1202 CKSRYX104K50

D 1951 LED

FC-3215BK-470H10

C 1203 CKSRYB104K16

D 1952 LED

FC-3215BK-470H10

C 1204 CKSRYB105K10

D 1953 LED

FC-3215BK-470H10

C 1205 CCSRCH221J50

D 1954 LED

FC-3215BK-470H10

C 1206 CCSRCH221J50

D 1955 LED

FC-3215BK-470H10

C 1207 CKSRYB474K10

D 1956 White LED

SWBA05(FI231719)

C 1210 CKSRYB105K10

S 1821 Push Switch

CSG1155

C 1212 CCSSCH470J50

S 1822 Push Switch

CSG1155

C 1217 CCSSCH121J50

S 1823 Push Switch

CSG1155

C 1221 CKSYX106K35

S 1824 Push Switch

CSG1155

C 1243 CKSQYX106K10

S 1825 Push Switch

CSG1155

C 1244 CKSQYX106K10

S 1826 Push Switch

CSG1155

C 1245 CKSQYX106K10

S 1827 Push Switch

CSG1155

C 1246 CKSQYX106K10

S 1828 Push Switch

CSG1155

C 1247 CCSSCH102J50

S 1829 Push Switch

CSG1155

C 1248 CCSSCH102J50

S 1830 Push Switch

CSG1155

C 1249 CCSSCH102J50

S 1831 Push Switch

CSG1155

C 1250 CCSSCH102J50

S 1832 Push Switch

CSG1155

C 1253 CKSSYB103K16

S 1833 Push Switch

CSG1155

C 1254 CKSSYB104K10

S 1834 Push Switch

CSG1155

C 1255 CCSRCH331J50

S 1835 Encoder(MULTI-CONTROL)

CSD1168

C 1256 CKSSYX105K10

S 1941 Push Switch

CSG1155

C 1276 CKSRYB104K16

CN1941 Connector

CKS6451

C 1277 CKSRYB104K16

JA 1901 Connector

CKS6443

C 1278 CKSRYB104K16

JA 1921 Jack

CKN1090

C 1279 CKSRYB104K16

V 1802 Segment LCD

CAW2063

C 1280 CKSSYB102K50

RESISTORS

C 1281 CKSSYB102K50

R 1802

RS1/10SR472J

C 1301 CKSQYB474K25

R 1821

RS1/10SR273J

C 1302 CKSQYB474K25

R 1854

RS1/10SR101J

C 1303 CKSQYB474K25

R 1941

RS1/10SR222J

C 1304 CKSQYB474K25

R 1942

RS1/10SR222J

C 1305 CKSSYB104K10

R 1943

RS1/10SR222J

C 1306 CKSRYB474K10

R 1944

RS1/10SR222J

C 1308 CKSRYX104K50

R 1951

RS1/10SR2201D

C 1310 CKSQYX106K16

R 1952

RS1/10SR560J

C 1311 CKSRYX225K10

R 1953

RS1/10SR2000D

C 1312 CKSRYX104K50

R 1954

RS1/10SR2701D

C 1316 CKSRYX104K50

R 1955

RS1/10SR2201D

C 1317 CKSRYX104K50

R 1956

RS1/10SR560J

C 1318 CKSRYX104K50

R 1957

RS1/10SR2000D

C 1321 CKSRYX106M6R3

R 1958

RS1/10SR2701D

R 1959

RS1/10SR2201D

R 1960

RS1/10SR221J

R 1961

RS1/10SR2000D

R 1962

RS1/10SR2701D

R 1963

RS1/10SR222J

R 1964

RS1/4SA181J

R 1965

RS1/10SR910J

R 1966

RS1/10SR152J

CAPACITORSMISCELLANEOUS

IC 1801 Driver IC BU97540KV-M

IC 1851 IR RC REC Module SIR8440B5

Q 1951 Bipolar Transistor LSCR523UB

Q 1952 Bipolar Transistor LSCR523UB

Q 1953 Bipolar Transistor LSCR523UB

Unit Number: QWM4652

Unit Name : Keyboard Unit

<u>Circuit Symbol and No.</u>	<u>Part No.</u>	<u>Circuit Symbol and No.</u>	<u>Part No.</u>
C 1801	CKSRYB105K10	CAPACITORS	
C 1851	CKSQYX106K10	C 104	CKSQYB475K6R3
C 1902	CKSRYB104K16	C 203	CKSSYB104K10
C 1904	CKSRYX475K6R3	C 209	CKSRYB104K16
C 1905	CCSRCH330J50	C 210	CKSSYB104K10
		C 211	CKSSYB104K10
C 1906	CCSRCH330J50		



Unit Number: CWX4023

Unit Name : CD Core Unit(S11.6STD)

MISCELLANEOUS

IC 201	IC	PE5791A	
IC 301	Driver IC	BD8223EFV	
Q 101	Transistor	2SAR502UB	
Q 102	Chip Digital Transistor	LTA123JUB	
X 201	Ceramic Resonator 16.934 MHz	CSS1603	
S 901	Switch(HOME)	CSN1090	
S 903	Spring Switch(DSCSNS)	CSN1081	
CN101	Connector	CKS4808	
CN701	Connector	CKS6146	

RESISTORS

R 101	RS1/10SR2R4J	C 217	CCSSCH560J50
R 102	RS1/10SR2R4J	C 218	CCSSCH4R0C50
R 103	RS1/10SR2R7J	C 219	CKSSYB104K10
R 108	RS1/16SS105J	C 220	CKSSYB104K10
R 109	RS1/16SS222J	C 221	CKSSYB104K10
R 214	RS1/16SS103J	C 222	CKSSYB104K10
R 215	RS1/16SS393J	C 223	CCSSCH680J50
R 216	RS1/16SS122J	C 224	CCSSCH470J50
R 217	RS1/16SS562J	C 225	CKSSYB103K16
R 218	RS1/16SS472J	C 228	CCSSCH270J50
R 229	RS1/16SS471J	C 229	CKSSYB104K10
R 232	RS1/16SS0R0J	C 233	CKSSYB103K16
R 237	RS1/16SS221J	C 236	CKSSYB104K10
R 240	RS1/16SS473J	C 238	CKSRYB104K16
R 245	RS1/16SS104J	C 299	CKSSYB104K10
R 254	RS1/16SS104J	C 302	CKSSYB102K50
R 260	RS1/16SS103J	C 303	CKSSYB102K50
R 264	RS1/16SS102J	C 304	CKSSYB223K16
R 281	RS1/16SS560J	C 305	CKSSYB104K10
R 282	RS1/16SS560J	C 306	CKSSYB104K10
R 291	RS1/16SS560J	C 307	CKSRYB105K10
R 294	RS1/16SS471J	C 308	CKSRYB105K10
R 303	RS1/16SS123J	C 710	CKSSYB102K50
R 304	RS1/16SS123J		
R 305	RS1/16SS102J		
R 306	RS1/16SS472J		
R 307	RS1/16SS102J		
R 308	RS1/16SS472J		
R 309	RS1/16SS473J		
R 310	RS1/16SS472J		
R 311	RS1/16SS472J		
R 312	RS1/16SS472J		
R 313	RS1/16SS472J		
R 701	RS1/16SS101J		
R 702	RS1/16SS101J		
R 706	RS1/16SS221J		