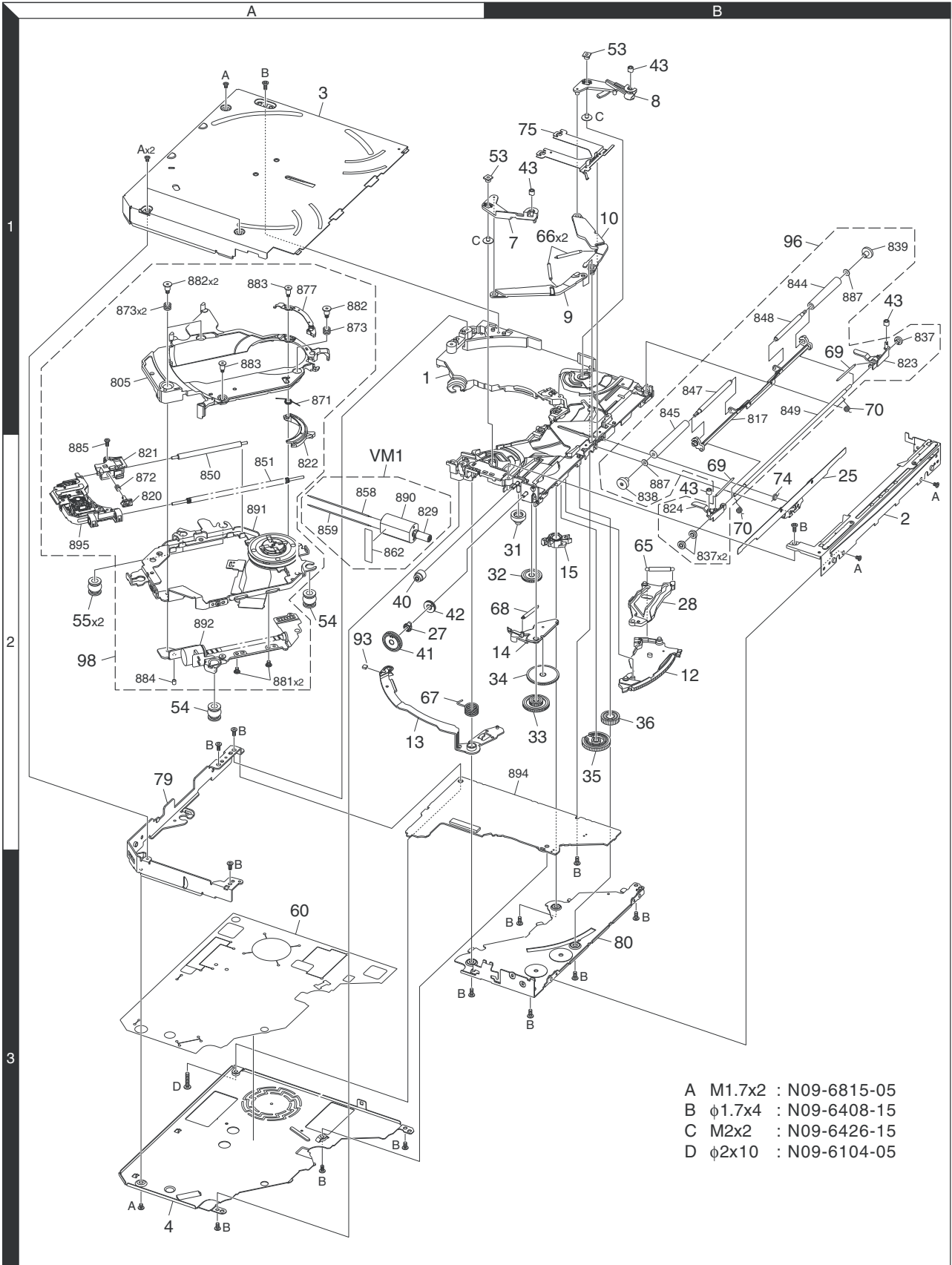


EXPLODED VIEW (DVD MECHANISM)



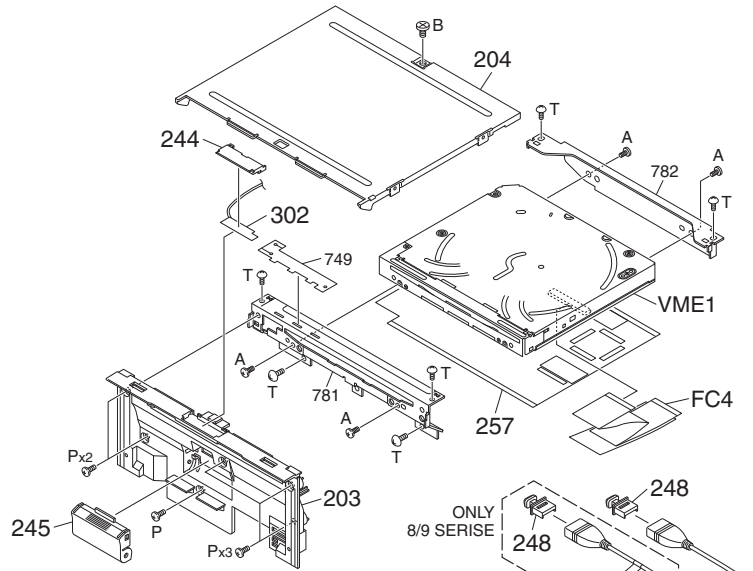
- A M1.7x2 : N09-6815-05
- B ϕ 1.7x4 : N09-6408-15
- C M2x2 : N09-6426-15
- D ϕ 2x10 : N09-6104-05

C

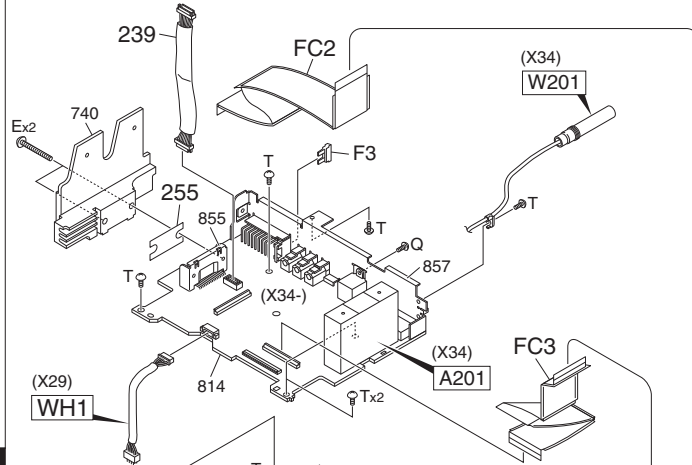
D

- A : N09-6227-15
- B : N09-6425-15
- D : N09-6490-05
- E : N09-6491-05
- F : N09-6493-05
- P : N09-6494-05
- Q : N35-2604-43
- T : N86-2605-48
- Y : N09-6731-05
- Z : N10-2030-43

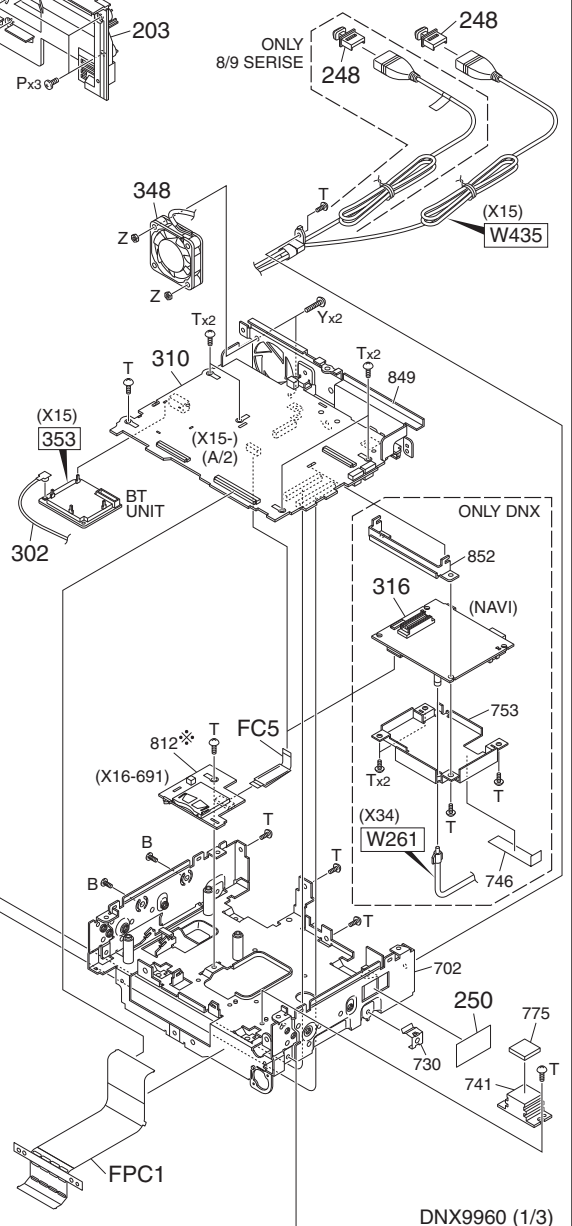
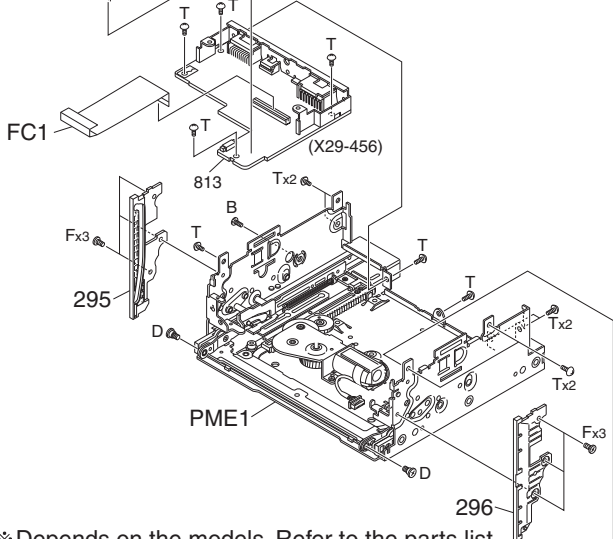
1



2



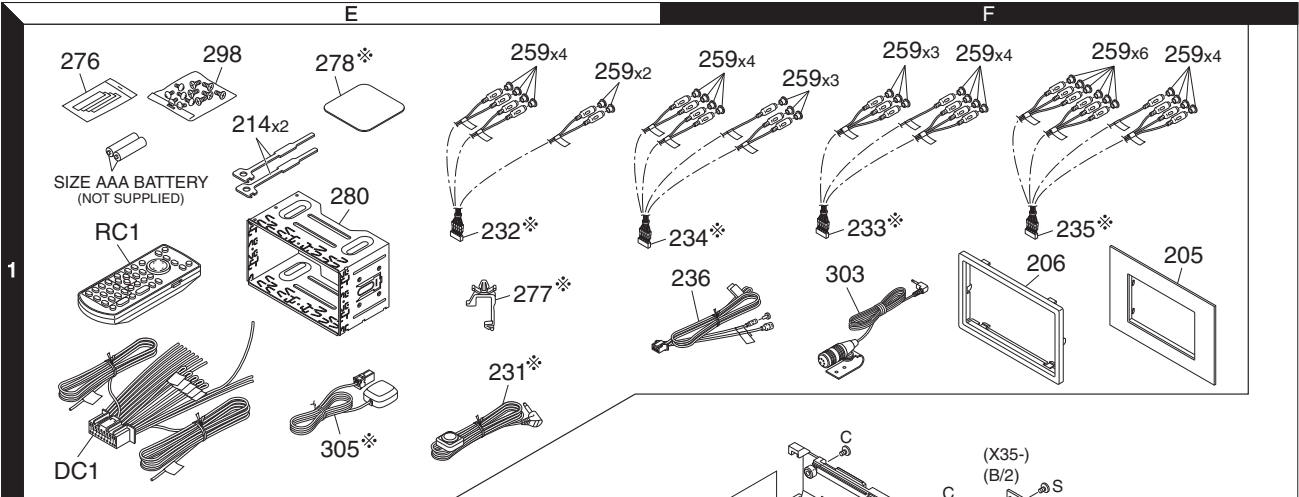
3



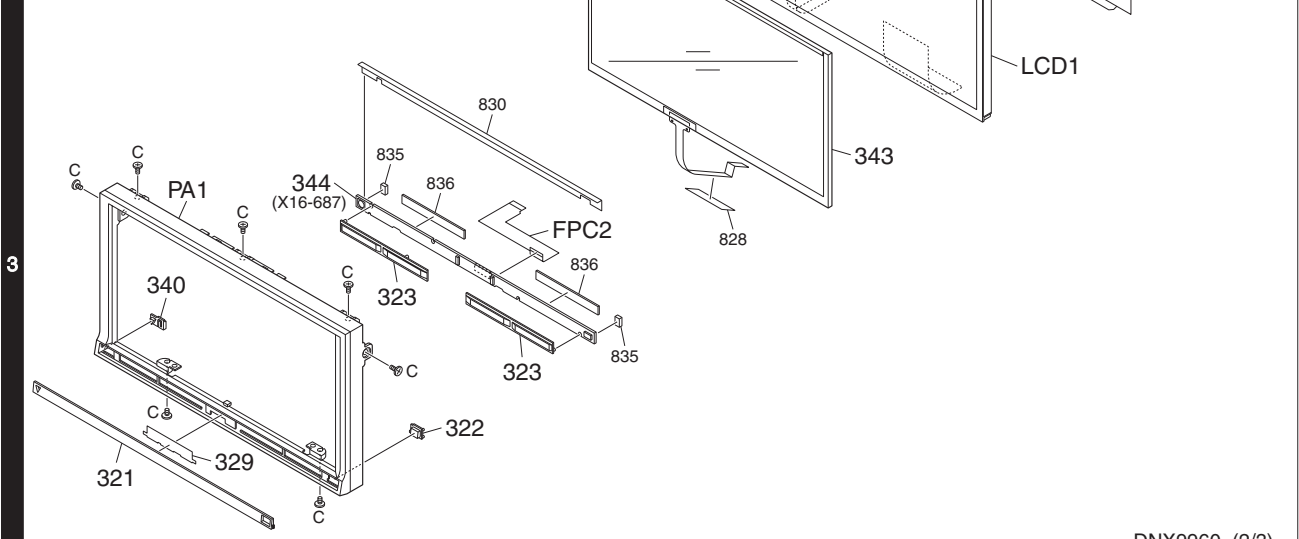
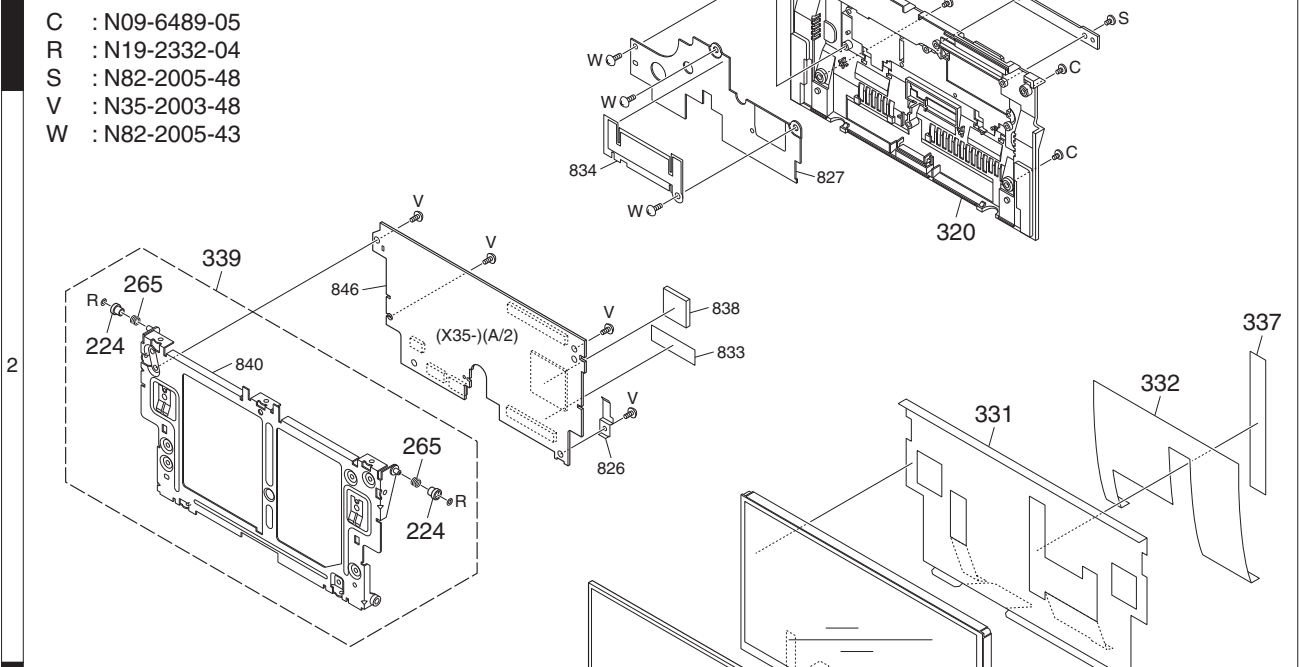
* Depends on the models. Refer to the parts list.

DNX9960 (1/3)

Parts with the exploded numbers larger than 700 are not supplied.



- C : N09-6489-05
- R : N19-2332-04
- S : N82-2005-48
- V : N35-2003-48
- W : N82-2005-43



※ Depends on the models. Refer to the parts list.

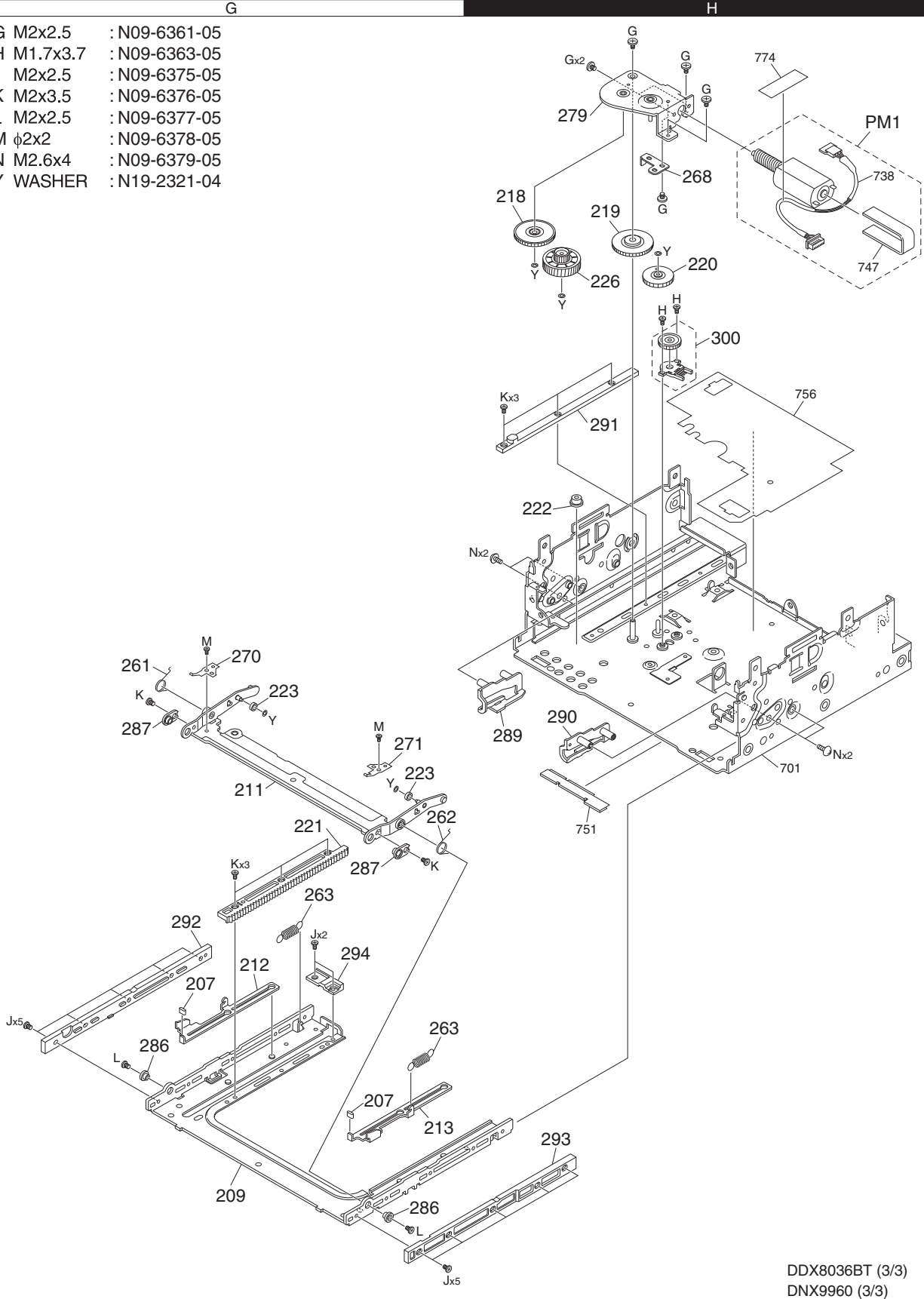
Parts with the exploded numbers larger than 700 are not supplied.

- G M2x2.5 : N09-6361-05
- H M1.7x3.7 : N09-6363-05
- J M2x2.5 : N09-6375-05
- K M2x3.5 : N09-6376-05
- L M2x2.5 : N09-6377-05
- M ϕ 2x2 : N09-6378-05
- N M2.6x4 : N09-6379-05
- Y WASHER : N19-2321-04

1

2

3



DDX8036BT (3/3)
DNX9960 (3/3)

Parts with the exploded numbers larger than 700 are not supplied.

PARTS LIST

*New Parts

Parts without Parts No. are not supplied.

Les articles non mentionnés dans le Parts No. ne sont pas fournis.

Teile ohne Parts No. werden nicht geliefert.

Ref.No.	A d d w	N e w	Parts No.	Description	Dest inati on	Ref.No.	A d d w	N e w	Parts No.	Description	Dest inati on
DDX8046BT/896 DNX7020EX/7160/9960						▲	F3	2C	F52-0007-05	FUSE(MINI BLADE TYPE) 15A	
203	1D	*	A22-3266-21	SUB PANEL ASSY	K	261	2G	G01-3288-04	TORSION COIL SPRING		
203	1D	*	A22-3268-21	SUB PANEL ASSY	K1K2	262	2G	G01-3289-04	TORSION COIL SPRING		
203	1D	*	A22-3271-21	SUB PANEL ASSY	K3	263	3G	G01-3290-04	EXTENSION SPRING		
203	1D	*	A22-3272-21	SUB PANEL ASSY	R1	268	1H	G02-1539-04	FLAT SPRING		
204	1D		A52-0895-02	TOP PLATE		270	2G	G02-1544-04	FLAT SPRING		
PME1	3C		A10-5300-51	CHASSIS ASSY		271	2G	G02-1545-04	FLAT SPRING		
RC1	1E		A70-2107-05	REMOTE CONTROLLER ASS(RC-DV331		-		* H54-4883-03	ITEM CARTON CASE		K
-		*	B54-4774-00	INSTALLATION MANU(ENG.FRE.SPA	KK3R1	-		* H54-4885-03	ITEM CARTON CASE		K1
-		*	B54-4776-00	INSTALLATION MANU(ENG.FRE.SPA	K1K2	-		H54-4886-03	ITEM CARTON CASE		K2
-		*	B54-4781-00	INSTALLATION MANUAL(POR.)	R1	-		* H54-4890-03	ITEM CARTON CASE		K3
-		*	B59-2027-00	SUB-INSTRUCTION MANUAL	K	-		* H54-4891-03	ITEM CARTON CASE		R1
-			B64-4619-00	INSTRUCTION MANUAL(ENG.FRE.SP	KK1K2						
-		*	B64-4673-00	INSTRUCTION MANUAL(ENG.)		276	1E	H30-0595-04	ADHESIVE DOUBLE-COATED TAPE		
-		*	B64-4674-00	INSTRUCTION MANUAL(FRE.)	KK1K2	277	1E	J11-0660-05	CLAMPER		KK1K2
-		*	B64-4674-00	INSTRUCTION MANUAL(FRE.)	K3	278	1E	J21-9867-04	MOUNTING HARDWARE (GPS-ANT)		KK1K2
-		*	B64-4675-00	INSTRUCTION MANUAL(SPA.)		279	1H	J22-0444-13	MOUNTING HARDWARE ASSY		
-		*	B64-4696-00	INSTRUCTION MANUAL(POR.)	R1	280	1E	J22-0657-03	MOUNTING HARDWARE ASSY		
205	1F		B07-3172-12	ESCUTCHEON		286	3G	J31-1075-14	COLLAR (ARM COLLAR)		
206	1F		B07-3224-31	ESCUTCHEON		287	2G	J31-1077-04	COLLAR (PANEL COLLAR)		
207	3G		B09-0541-04	CAP		289	2H	J90-1124-13	GUIDE ASSY		
209	3G		D10-4895-22	SLIDER ASSY		290	2H	J90-1126-13	GUIDE ASSY		
211	2G		D10-4897-13	ARM ASSY		291	1H	J90-1128-03	RAIL		
212	3G		D10-4899-03	LEVER		292	3G	J90-1129-23	RAIL		
213	3G		D10-4900-03	LEVER		293	3H	J90-1130-23	RAIL		
214	1E		D10-7012-04	LEVER		294	3G	J90-1131-03	GUIDE		
218	1H		D13-2394-04	GEAR		295	3C	J90-1160-01	RAIL		
219	1H		D13-2395-04	GEAR		296	3C	J90-1161-01	RAIL		
220	1H		D13-2396-04	GEAR		FPC1	3D	* J86-0076-05	FPC(LEAD FREE)		
221	2G		D13-2397-03	RACK (GEAR)		298	1E	N99-1779-15	SCREW SET		
222	2H		D14-1010-04	ROLLER		A	1D	N09-6227-15	MACHINE SCREW (M2.6X 3.2NI)		
223	2G		D14-1011-14	ROLLER		B	1D	N09-6425-15	MACHINE SCREW (M3.0X5)		
226	1H		D19-0653-23	CLUTCH ASSY		D	3C	N09-6490-05	STEPPED SCREW (PANEL SCREW)		
231	1F		E30-6889-05	CORD WITH PINPLUG (SWITCH)	K	E	2C	N09-6491-05	MACHINE SCREW (M2.6X27)		
232	1F	*	E30-6949-05	CORD WITH PINPLUG (3PRE)	K1K2	F	3C	N09-6493-05	MACHINE SCREW (M2.6X5)		
233	1F	*	E30-6950-05	CORD WITH PINPLUG (1AV IN)	K1K2	G	1H	N09-6361-05	MACHINE SCREW (M2X2.5)		
234	1F	*	E30-6951-05	CORD WITH PINPLUG (3PRE+C)	KK3R1	H	1H	N09-6363-05	MACHINE SCREW (M1.7X3.7)		
235	1F	*	E30-6952-05	CORD WITH PINPLUG (2AV IN)	KK3R1	J	3G	N09-6375-05	MACHINE SCREW (M2X2.5)		
236	1F	*	E30-6954-05	CORD WITH PLUG (RELAY)		K	2G	N09-6376-05	MACHINE SCREW (M2X3.5)		
239	2C	*	E39-1128-05	WIRING HARNESS		L	3G	N09-6377-05	MACHINE SCREW (M2X2.5)		
DC1	1E		E30-6881-25	DC CORD		M	2G	N09-6378-05	TAPTITE SCREW (STITE 2X2)		
FC1	3C		E39-1024-05	FLAT CABLE		N	2H	N09-6379-05	MACHINE SCREW (M2.6X4 BIND)		
FC2	2C	*	E39-1117-05	FLAT CABLE		P	1D	N09-6494-05	MACHINE SCREW		
FC3	2C	*	E39-1118-05	FLAT CABLE		S	1C	N82-2005-48	BINDING HEAD TAPTITE SCREW		
FC4	1D	*	E39-1119-05	FLAT CABLE		T	3C	N86-2605-48	BINDING HEAD TAPTITE SCREW		
244	1D	*	F07-2224-03	COVER (BT-ANT)		Y	1H	N19-2321-04	FLAT WASHER (1.6X4X0.25)		
245	1C	*	F07-2226-03	COVER (SD)	KK1K2	300	1H	R31-0248-05	VARIABLE RESISTOR		
248	1D		F09-2929-04	CAP (USB)		302	1D	* T90-0598-05	ANTENNA ASSY (BT)		
250	3D	*	F09-3038-04	SHEET		PM1	1H	T42-1322-24	MOTOR ASSY		
255	2C		F20-2342-04	INSULATING SHEET	KK3R1	303	1F	W01-1768-05	MICROPHONE (BT)		
257	1D	*	F20-2522-13	INSULATING SHEET		305	1E	W02-5304-05	ANTENNA MODULE (GPS-ANT)		KK1K2
259	1F		F29-0626-04	INSULATING COVER (RCA)							

K: DNX9960 K1: DNX7160 K2: DNX7020EX K3: DDX896 (North America)

R1: DDX8046BT (Latin America)

▲ indicates safety critical components.

PARTS LIST

Ref.No.	A	N	Parts No.	Description	Dest inati on	Ref.No.	A	N	Parts No.	Description	Dest inati on
310	2D	*	X15-1430-10	VIDEO CONTROL UNIT	K	C10			CK73HB1A104K	CHIP C 0.10UF K	
310	2D	*	X15-1430-11	VIDEO CONTROL UNIT	K1	C11			CE32BM1C221M	CHIP EL 220UF 16WV	
310	2D	*	X15-1430-12	VIDEO CONTROL UNIT	K2	C12			CK73FB1A225K	CHIP C 2.2UF K	
310	2D	*	X15-1440-10	VIDEO CONTROL UNIT	K3	C13			CK73HB1E103K	CHIP C 0.010UF K	
310	2D	*	X15-1443-21	VIDEO CONTROL UNIT	R1	C14			CE32BM1C221M	CHIP EL 220UF 16WV	
VME1	1D	*	X92-6500-00	DVD MECHANISM ASSY(DVS-8700W)		C15			CK73GB1A105K	CHIP C 1.0UF K	
CONTROL ASSY						C16			CK73GB0J106M	CHIP C 10UF M	
FC5	3D	*	E39-1121-05	FLAT CABLE	KK1K2	C17			CK73GB1A105K	CHIP C 1.0UF K	
316	2D	*	W02-5377-05	NAVIGATION MODULE	K	C18			CK73GB1H104K	CHIP C 0.10UF K	
316	2D	*	W02-5379-05	NAVIGATION MODULE	K1K2	C19			CE32BM1E101M	CHIP EL 100UF 25WV	
DISPLAY ASSY						C20			CK73HB1E103K	CHIP C 0.010UF K	
320	2F	*	A46-1910-01	REAR COVER		C21			CK73GB1H104K	CHIP C 0.10UF K	
PA1	3E	*	A64-5091-11	PANEL	K	C22			CC73HCH1H101J	CHIP C 100PF J	
PA1	3E	*	A64-5093-11	PANEL	K1	C23			CC73HCH1H470J	CHIP C 47PF J	
PA1	3E	*	A64-5094-11	PANEL	K2	C24			CK73HB1H221K	CHIP C 220PF K	
PA1	3E	*	A64-5098-11	PANEL	K3	C25			CK73HB1H102K	CHIP C 1000PF K	
PA1	3E	*	A64-5099-11	PANEL	R1	C26			CC73HCH1H101J	CHIP C 100PF J	
321	3E	*	B10-5377-03	FRONT GLASS	KK1K2	C27, 28			CK73HB1E103K	CHIP C 0.010UF K	
321	3E	*	B10-5393-03	FRONT GLASS	K3R1	C29			CK73HB1E223K	CHIP C 0.022UF K	
322	3E	*	B10-5379-04	FRONT GLASS		C30			CK73HB1E103K	CHIP C 0.010UF K	
323	3E	*	B11-2043-04	OPTICAL DIFFUSER		C31			CK73HB1H221K	CHIP C 220PF K	
LCD1	3F		B38-1222-05	LCD		C34 -37			CK73HB1H102K	CHIP C 1000PF K	
224	2E		D14-1024-04	ROLLER		C38			CK73HB1C473K	CHIP C 0.047UF K	
329	3E	*	F09-3039-14	SHEET		C39			CK73HB1E103K	CHIP C 0.010UF K	
331	2F	*	F20-2532-03	INSULATING SHEET		C40			CK73GB1H104K	CHIP C 0.10UF K	
332	2F	*	F20-2537-04	INSULATING SHEET		C41			CK73HB1A104K	CHIP C 0.10UF K	
265	2E		G01-4659-04	COMPRESSION SPRING		C42			CK73GB1H104K	CHIP C 0.10UF K	
337	2F		G16-1749-04	SHEET		C43			CK73GB0J106M	CHIP C 10UF M	
339		*	J22-0922-02	MOUNTING HARDWARE ASSY		C44			CK73GB1H104K	CHIP C 0.10UF K	
FPC2	3E	*	J86-0077-05	FP(LEAD FREE)		C45			CK73FB1E475K	CHIP C 4.7UF K	
340	3E	*	K24-5070-14	PUSH KNOB (TRIANGLE LED)		C46			CK73GB1H104K	CHIP C 0.10UF K	
C	3E		N09-6489-05	MACHINE SCREW (M2.0X3.0)		C47			CK73HB1E103K	CHIP C 0.010UF K	
R	2E		N19-2332-04	FLAT WASHER (1.2X3.2X0.25)		C49, 50			CK73EB1E106K	CHIP C 10UF K	
V	2E		N35-2003-48	BINDING HEAD MACHINE SCREW		C51			CK73GB1H104K	CHIP C 0.10UF K	
W	2F		N82-2005-43	BINDING HEAD TAPTITE SCREW		C52			CK73HB1E103K	CHIP C 0.010UF K	
343	3F		S79-0869-05	SWITCH ASSY		C53, 54			CK73HB1H102K	CHIP C 1000PF K	
344	3E	*	X16-6870-10	SWITCH UNIT		C55			CE32BL1A121M	CHIP EL 120UF 10WV	
VIDEO CONTROL UNIT(X15-143/144x-xx)						C56			CK73HB1A104K	CHIP C 0.10UF K	
D17			B30-1767-05	LED		C57			CK73HB1E103K	CHIP C 0.010UF K	
C1			CK73GB1H104K	CHIP C 0.10UF K		C58			CK73GB1H104K	CHIP C 0.10UF K	
C2			CK73ER2J333K	CHIP C 33000PF K		C59			CK73HB1E103K	CHIP C 0.010UF K	
C3			C90-5670-05	ELECTRO 2200UF 16WV		C61, 62			CK73GB1H104K	CHIP C 0.10UF K	
C4			CK73GB1H104K	CHIP C 0.10UF K		C63			CK73HB1E103K	CHIP C 0.010UF K	
C5			CK73HB1E103K	CHIP C 0.010UF K		C64			CK73HB1H102K	CHIP C 1000PF K	
C6			CK73HB1A104K	CHIP C 0.10UF K		C65, 66			CK73HB1H102K	CHIP C 1000PF K	
C7			CK73HB1E103K	CHIP C 0.010UF K		C67			CE32BL0J221M	CHIP EL 220UF 6.3WV	
C8			CK73HB1A104K	CHIP C 0.10UF K		C68			CK73HB1A104K	CHIP C 0.10UF K	
C9			CK73HB1E103K	CHIP C 0.010UF K		C69			CK73HB1E103K	CHIP C 0.010UF K	
						C70, 71			CC73HCH1H470J	CHIP C 47PF J	
						C72			CK73HB1E103K	CHIP C 0.010UF K	
						C73, 74			CC73HCH1H470J	CHIP C 47PF J	
						C75, 76			CK73HB1E103K	CHIP C 0.010UF K	
						C77			CK73HB1E223K	CHIP C 0.022UF K	
						C80 -82			CK73HB1H102K	CHIP C 1000PF K	
						C83			CK73HB1E103K	CHIP C 0.010UF K	

K: DNX9960 K1: DNX7160 K2: DNX7020EX K3: DDX896 (North America)
R1: DDX8046BT (Latin America)


indicates safety critical components.

PARTS LIST

VIDEO CONTROL UNIT(X15-143/144x-xx)

Ref.No.	A d d	N e w	Parts No.	Description	Dest inati on	Ref.No.	A d d	N e w	Parts No.	Description	Dest inati on
C84			CC73HCH1H101J	CHIP C 100PF J		C162			CK73GB1A105K	CHIP C 1.0UF K	
C85 ,86			CK73GB1H104K	CHIP C 0.10UF K		C163			CK73GB0J106M	CHIP C 10UF M	K3R1
C87			CK73HB1A104K	CHIP C 0.10UF K		C165			CC73HCH1H150J	CHIP C 15PF J	
C88			CK73GB0J106M	CHIP C 10UF M		C166			CK73GB1A105K	CHIP C 1.0UF K	
C89			CK73GB1H104K	CHIP C 0.10UF K		C169,170			CC73HCH1H220J	CHIP C 22PF J	
C90			CK73FB1E475K	CHIP C 4.7UF K		C171			CK73HB1A104K	CHIP C 0.10UF K	
C91			CK73GB1H104K	CHIP C 0.10UF K		C172			CK73GB1A105K	CHIP C 1.0UF K	
C92			CK73HB1E103K	CHIP C 0.010UF K		C173			CK73GB0J106M	CHIP C 10UF M	
C94 ,95			CK73EB1E106K	CHIP C 10UF K		C174			CK73HB1A104K	CHIP C 0.10UF K	
C96			CK73GB1H104K	CHIP C 0.10UF K		C175			CK73HB1E103K	CHIP C 0.010UF K	
C97			CK73HB1E103K	CHIP C 0.010UF K		C176			CK73HB1A104K	CHIP C 0.10UF K	
C98 ,99			CK73HB1H102K	CHIP C 1000PF K		C177			CE32CL1C100M	CHIP EL 10UF 16WV	
C100			CE32BL0J221M	CHIP EL 220UF 6.3WV		C178			CK73GB0J106M	CHIP C 10UF M	
C101			CK73HB1A104K	CHIP C 0.10UF K		C179			CK73FB1A225K	CHIP C 2.2UF K	
C102			CK73HB1E103K	CHIP C 0.010UF K		C180			CC73HCH1H220J	CHIP C 22PF J	
C103			CK73GB1H104K	CHIP C 0.10UF K		C181			CK73HB0J105K	CHIP C 1.0UF K	
C106,107			CK73HB1E103K	CHIP C 0.010UF K		C182			CK73HB1A104K	CHIP C 0.10UF K	
C108			CK73GB1H104K	CHIP C 0.10UF K		C183			CK73HB1E103K	CHIP C 0.010UF K	
C109			CE32BM1E470M	CHIP EL 47UF 25WV		C185,186			CK73HB1A104K	CHIP C 0.10UF K	
C110,111			CK73HB1H102K	CHIP C 1000PF K		C188			CK73GB0J106M	CHIP C 10UF M	
C112			CE32BL0G331M	CHIP EL 330UF 4.0WV		C189			CK73HB1H222K	CHIP C 2200PF K	
C113			CK73HB1A104K	CHIP C 0.10UF K		C190			CK73GB0J106M	CHIP C 10UF M	
C114			CK73HB1E103K	CHIP C 0.010UF K		C191			CK73HB1H222K	CHIP C 2200PF K	
C115			CK73GB1H104K	CHIP C 0.10UF K		C192			CC73HCH1H120J	CHIP C 12PF J	
C116			CK73HB1E103K	CHIP C 0.010UF K		C193			CC73HCH1H100D	CHIP C 10PF D	
C117			CK73FB1A475K	CHIP C 4.7UF K		C194,195			CC73HCH1H060D	CHIP C 6.0PF D	
C118,119			CK73EB1E106K	CHIP C 10UF K		C196			CK73HB1A104K	CHIP C 0.10UF K	
C120			CK73FB1E475K	CHIP C 4.7UF K		C198			CK73HB1A104K	CHIP C 0.10UF K	
C121,122			CK73GB1H104K	CHIP C 0.10UF K		C199			CK73HB1E103K	CHIP C 0.010UF K	
C123			CK73HB1E223K	CHIP C 0.022UF K		C200-202			CK73HB1A104K	CHIP C 0.10UF K	
C124			CK73HB1H221K	CHIP C 220PF K		C206,207			CK73HB1A104K	CHIP C 0.10UF K	
C125			CK73HB1E103K	CHIP C 0.010UF K		C208,209			CK73HB0J105K	CHIP C 1.0UF K	
C126			CK73HB1H472K	CHIP C 4700PF K		C210,211			CK73HB1E103K	CHIP C 0.010UF K	
C127			CC73HCH1H151J	CHIP C 150PF J		C212			CC73HCH1H220J	CHIP C 22PF J	
C128			CK73GB1H104K	CHIP C 0.10UF K		C213			CK73HB1E103K	CHIP C 0.010UF K	
C129			CK73EB1E106K	CHIP C 10UF K		C214			CK73HB1A104K	CHIP C 0.10UF K	
C131			CE32BL0J221M	CHIP EL 220UF 6.3WV		C215,216			CK73HB1E103K	CHIP C 0.010UF K	
C132			CK73HB1A104K	CHIP C 0.10UF K		C217			CK73HB1A104K	CHIP C 0.10UF K	
C133			CK73HB1E103K	CHIP C 0.010UF K		C218			CK73HB1E103K	CHIP C 0.010UF K	
C134,135			CK73HB1A104K	CHIP C 0.10UF K		C219			CK73HB1A104K	CHIP C 0.10UF K	
C136,137			CK73GB0J106M	CHIP C 10UF M		C220			CK73HB1H471K	CHIP C 470PF K	
C138,139			CK73HB1A104K	CHIP C 0.10UF K		C221			CK73EB1E106K	CHIP C 10UF K	
C141			CK73GB1H104K	CHIP C 0.10UF K		C222			CK73HB1E103K	CHIP C 0.010UF K	
C142			CK73HB1E103K	CHIP C 0.010UF K		C223			CK73HB1A104K	CHIP C 0.10UF K	
C143,144			CK73EB1E106K	CHIP C 10UF K		C224			CK73HB1H471K	CHIP C 470PF K	
C145			CK73GB1H104K	CHIP C 0.10UF K		C225			CK73EB1E106K	CHIP C 10UF K	
C146			CK73HB1E103K	CHIP C 0.010UF K		C226			CK73HB1E103K	CHIP C 0.010UF K	
C147,148			CK73HB1A104K	CHIP C 0.10UF K		C227			CC73HCH1H150J	CHIP C 15PF J	
C149			CK73FB0J226M	CHIP C 22UF M		C230			CK73GB1H103K	CHIP C 0.010UF K	
C150			CC73HCH1H470J	CHIP C 47PF J		C231			CK73HB1A104K	CHIP C 0.10UF K	
C151-153			CK73FB0J226M	CHIP C 22UF M		C234			CK73GB0J106M	CHIP C 10UF M	
C156,157			CK73GB1A105K	CHIP C 1.0UF K		C236			CK73GB1A474K	CHIP C 0.47UF K	
C158			CK73HB1A104K	CHIP C 0.10UF K		C237			CK73HB1E103K	CHIP C 0.010UF K	
C159			CK73GB1A105K	CHIP C 1.0UF K		C238			CK73GB1A105K	CHIP C 1.0UF K	
C160,161			CK73HB1A104K	CHIP C 0.10UF K		C239,240			CK73GB0J106M	CHIP C 10UF M	
											K3R1
											KK1K2
											KK1K2

K: DNX9960 K1: DNX7160 K2: DNX7020EX K3: DDX896 (North America)
R1: DDX8046BT (Latin America)

 indicates safety critical components.

PARTS LIST

VIDEO CONTROL UNIT(X15-143/144x-xx)

Ref.No.	A d d	N e w	Parts No.	Description	Dest inati on	Ref.No.	A d d	N e w	Parts No.	Description	Dest inati on
C241			CK73GB1A105K	CHIP C 1.0UF K		C454,455			CK73HB0J105K	CHIP C 1.0UF K	
C243			CK73HB1A104K	CHIP C 0.10UF K		C456,457			CK73FB0J226M	CHIP C 22UF M	
C244			CK73GB0J106M	CHIP C 10UF M		C458-465			CK73GB1A105K	CHIP C 1.0UF K	
C245			CC73HCH1H221J	CHIP C 220PF J		C466,467			CK73HB1A104K	CHIP C 0.10UF K	
C246			CK73HB1A104K	CHIP C 0.10UF K		C468,469			CK73HB0J105K	CHIP C 1.0UF K	
C247			CK73GB0J475K	CHIP C 4.7UF K		C470			CK73GB0J106M	CHIP C 10UF M	
C248			CE32CL1C470M	CHIP EL 47UF 16WV		C471,472			CK73HB0J105K	CHIP C 1.0UF K	
C249,250			CK73HB1H102K	CHIP C 1000PF K		C475			CK73GB0J106M	CHIP C 10UF M	
C251			CC73HCH1H150J	CHIP C 15PF J	K1K2K3	C480			CK73HB0J105K	CHIP C 1.0UF K	
C251			CC73HCH1H150J	CHIP C 15PF J	R1	C481			CK73HB1A104K	CHIP C 0.10UF K	
C252			CK73HB0J105K	CHIP C 1.0UF K	K	C482			CK73HB0J105K	CHIP C 1.0UF K	
C253-255			CK73GB0J475K	CHIP C 4.7UF K	K	C483			CK73HB1A104K	CHIP C 0.10UF K	
C256			CK73HB0J474K	CHIP C 0.47UF K	K	C484-486			CK73GB1A105K	CHIP C 1.0UF K	
C257,258			CK73GB1A105K	CHIP C 1.0UF K	K	C490			CK73HB1A104K	CHIP C 0.10UF K	
C259-261			CK73GB0J475K	CHIP C 4.7UF K	K	C491			CK73GB0J106M	CHIP C 10UF M	
C263			CK73HB1E103K	CHIP C 0.010UF K		C492			CK73HB1A104K	CHIP C 0.10UF K	K1K2
C265			CK73HB1E103K	CHIP C 0.010UF K		C492,493			CK73HB1A104K	CHIP C 0.10UF K	KK3R1
C266			CK73EB1E106K	CHIP C 10UF K		C496-498			CK73EB0J476M	CHIP C 47UF M	
C267,268			CK73HB1A104K	CHIP C 0.10UF K		C500			CK73HB1A104K	CHIP C 0.10UF K	
C269			CK73FB0J106K	CHIP C 10UF K		C503			CK73HB0J105K	CHIP C 1.0UF K	
C270			CK73EB1E106K	CHIP C 10UF K		C504			CK73HB1A104K	CHIP C 0.10UF K	
C271,272			CK73HB1A104K	CHIP C 0.10UF K		C507			CK73GB0J106M	CHIP C 10UF M	
C273			CK73FB0J106K	CHIP C 10UF K		C508			CK73HB1H222K	CHIP C 2200PF K	
C274,275			CK73HB1E103K	CHIP C 0.010UF K		C509,510			CK73GB0J106M	CHIP C 10UF M	KK3R1
C300			CK73HB1E103K	CHIP C 0.010UF K	K3R1	C510			CK73GB0J106M	CHIP C 10UF M	K1K2
C400			CK73HB1A104K	CHIP C 0.10UF K		C514,515			CC73HCH1H070D	CHIP C 7.0PF D	
C401			CK73HB1E103K	CHIP C 0.010UF K		C516			CK73HB1A104K	CHIP C 0.10UF K	
C402			CK73HB1H222K	CHIP C 2200PF K		C517,518			CC73HCH1H101J	CHIP C 100PF J	KK3R1
C403			CK73HB1E103K	CHIP C 0.010UF K		C518			CC73HCH1H101J	CHIP C 100PF J	K1K2
C404			CK73HB1A104K	CHIP C 0.10UF K		C519			CK73HB1A104K	CHIP C 0.10UF K	
C406,407			CK73HB1A104K	CHIP C 0.10UF K		C521,522			CE32BQ0J221M	CHIP EL 220UF 6.3WV	KK3R1
C408			CK73HB1E103K	CHIP C 0.010UF K		C522			CE32BQ0J221M	CHIP EL 220UF 6.3WV	K1K2
C409			CK73GB0J106M	CHIP C 10UF M		C525			CK73HB1H102K	CHIP C 1000PF K	
C410		*	CE32CL1A101M	CHIP EL 100UF 10WV		C527,528			CK73HB0J105K	CHIP C 1.0UF K	
C411-413			CK73GB0J106M	CHIP C 10UF M		C529			CK73HB1H102K	CHIP C 1000PF K	K1K2
C415,416			CK73HB1A104K	CHIP C 0.10UF K	KK3R1	C529,530			CK73HB1H102K	CHIP C 1000PF K	KK3R1
C416			CK73HB1A104K	CHIP C 0.10UF K	K1K2	C536			CK73HB1H102K	CHIP C 1000PF K	KK3R1
C418			CK73GB0J106M	CHIP C 10UF M		C538			CK73HB1H102K	CHIP C 1000PF K	
C420			CK73GB0J106M	CHIP C 10UF M		C540-543			CK73HB1H102K	CHIP C 1000PF K	
C421-423			CK73HB1A104K	CHIP C 0.10UF K		C544			CK73GB0J106M	CHIP C 10UF M	
C424,425			CK73GB0J106M	CHIP C 10UF M		C545-548			CK73HB1A104K	CHIP C 0.10UF K	
C428			CK73HB1A104K	CHIP C 0.10UF K		C549			CK73HB1H102K	CHIP C 1000PF K	
C429,430			CC73HCH1H331J	CHIP C 330PF J		C551,552			CK73HB1H102K	CHIP C 1000PF K	
C433,434			CK73HB1H681K	CHIP C 680PF K		C650,651			CK73HB1E103K	CHIP C 0.010UF K	
C435			CK73GB1A105K	CHIP C 1.0UF K		C652			CK73GB0J106M	CHIP C 10UF M	
C438			CK73HB1A104K	CHIP C 0.10UF K		C653,654			CK73HB1E103K	CHIP C 0.010UF K	
C439			CK73GB0J106M	CHIP C 10UF M		C655			CK73HB1A104K	CHIP C 0.10UF K	
C440-442			CK73HB1A104K	CHIP C 0.10UF K		C656			CK73GB0J106M	CHIP C 10UF M	
C443			CK73HB1E103K	CHIP C 0.010UF K		C657-660			CK73HB1A104K	CHIP C 0.10UF K	
C444			CK73GB0J106M	CHIP C 10UF M		C661			CK73HB1E103K	CHIP C 0.010UF K	
C445			CK73HB1A104K	CHIP C 0.10UF K		C662			CK73HB1H102K	CHIP C 1000PF K	
C448,449			CK73HB0J105K	CHIP C 1.0UF K		C663			CK73HB1A104K	CHIP C 0.10UF K	
C450			CK73GB0J106M	CHIP C 10UF M		C664			CC73HCH1H331J	CHIP C 330PF J	
C452			CK73FB0J226M	CHIP C 22UF M		C665			CK73HB1A104K	CHIP C 0.10UF K	
C453			CK73HB1A104K	CHIP C 0.10UF K		C666			CK73HB0J105K	CHIP C 1.0UF K	

K: DNX9960 K1: DNX7160 K2: DNX7020EX K3: DDX896 (North America)
R1: DDX8046BT (Latin America)

⚠ indicates safety critical components.

PARTS LIST

VIDEO CONTROL UNIT(X15-143/144x-xx)

Ref.No.	A d d	N e w	Parts No.	Description	Dest inati on	Ref.No.	A d d	N e w	Parts No.	Description	Dest inati on
C667			CK73HB1A104K	CHIP C 0.10UF K		C789			CK73HB1A104K	CHIP C 0.10UF K	
C669-671			CK73HB1A104K	CHIP C 0.10UF K	K1K2	C790			CK73HB1E103K	CHIP C 0.010UF K	
C669-675			CK73HB1A104K	CHIP C 0.10UF K	KK3R1	C791-795			CK73HB1A104K	CHIP C 0.10UF K	
C673-675			CK73HB1A104K	CHIP C 0.10UF K	K1K2	C796			CK73HB1E103K	CHIP C 0.010UF K	
C676			CK73GB0J106M	CHIP C 10UF M		C797,798			CK73HB1A104K	CHIP C 0.10UF K	
C677,678			CK73HB1A104K	CHIP C 0.10UF K		C799			CK73HB0J105K	CHIP C 1.0UF K	
C680,681			CK73HB1A104K	CHIP C 0.10UF K		C800-809			CK73HB1A104K	CHIP C 0.10UF K	
C683-685			CK73HB1A104K	CHIP C 0.10UF K		C810			CK73HB0J105K	CHIP C 1.0UF K	
C687-689			CK73HB1A104K	CHIP C 0.10UF K		C811			CK73HB1A104K	CHIP C 0.10UF K	
C691-693			CK73HB1A104K	CHIP C 0.10UF K		C812			CK73HB0J105K	CHIP C 1.0UF K	
C694			CK73GB0J106M	CHIP C 10UF M		C813			CK73HB1A104K	CHIP C 0.10UF K	
C695			CK73HB1A104K	CHIP C 0.10UF K		C814			CK73HB0J105K	CHIP C 1.0UF K	
C697			CK73HB1A104K	CHIP C 0.10UF K		C816-819			CC73HCH1H101J	CHIP C 100PF J	
C698			CK73HB0J105K	CHIP C 1.0UF K		C825			CK73HB1A104K	CHIP C 0.10UF K	KK3R1
C700			CK73HB1H102K	CHIP C 1000PF K		CN1			E41-2958-05	PIN ASSY	
C701			CK73HB1A104K	CHIP C 0.10UF K		CN2			E41-2264-05	PIN ASSY	
C703			CK73HB1A104K	CHIP C 0.10UF K		CN3			E41-2248-05	PIN ASSY	
C705			CK73HB1A104K	CHIP C 0.10UF K		CN4	*		E41-2207-05	PIN ASSY	
C707			CK73HB1A104K	CHIP C 0.10UF K		CN6			E41-2735-05	PIN ASSY	
C711,712			CK73HB1A104K	CHIP C 0.10UF K		CN8			E41-2985-05	FLAT CABLE CONNECTOR	
C714			CK73HB1A104K	CHIP C 0.10UF K		CN9	*		E41-3157-05	PIN ASSY	KK1K2
C715			CK73HB0J105K	CHIP C 1.0UF K		CN10			E41-3140-05	PIN ASSY	
C716,717			CC73HCH1H150J	CHIP C 15PF J		CN101,102			E41-2980-05	FLAT CABLE CONNECTOR	
C718			CC73HCH1H180J	CHIP C 18PF J		CN400			E41-2603-05	FLAT CABLE CONNECTOR	
C719			CC73HCH1H220J	CHIP C 22PF J		CN401			E41-2248-05	PIN ASSY	
C720			CK73HB1A104K	CHIP C 0.10UF K		CN403			E41-2948-05	PIN ASSY	KK3R1
C723			CK73HB1A104K	CHIP C 0.10UF K		J1			E56-0865-05	CYLINDRICAL RECEPTACLE	K3R1
C724			CK73HB1H102K	CHIP C 1000PF K		J2			E11-0610-05	3.5D PHONE JACK	
C725			CK73HB1A104K	CHIP C 0.10UF K		W435	*		E30-6946-05	CORD WITH PLUG (USB 2PORT)	KK3R1
C726			CK73HB1H102K	CHIP C 1000PF K		W435	*		E30-6947-05	CORD WITH PLUG (USB 1PORT)	K1K2
C727			CK73HB1A104K	CHIP C 0.10UF K		348	2D		F09-2959-05	FAN	
C728			CK73HB1H102K	CHIP C 1000PF K		F1			F53-0369-05	FUSE 1.6A	
C729			CK73HB1A104K	CHIP C 0.10UF K		F2			F53-0371-05	FUSE 2.5A	
C731,732			CK73HB1A104K	CHIP C 0.10UF K		L1			L33-2436-05	CHOKE COIL ASSY	
C734			CK73HB1H102K	CHIP C 1000PF K		L2			L92-0373-05	CHIP FERRITE	KK3R1
C735			CK73HB0J105K	CHIP C 1.0UF K		L4			L33-2457-05	SMALL FIXED INDUCTOR	
C737			CK73HB1A104K	CHIP C 0.10UF K		L6			L33-2467-05	SMALL FIXED INDUCTOR	
C738			CK73HB1H102K	CHIP C 1000PF K		L8			L33-2519-05	CHOKE COIL	
C743,744			CK73HB1A104K	CHIP C 0.10UF K		L10			L33-2467-05	SMALL FIXED INDUCTOR	
C745			CK73GB0J106M	CHIP C 10UF M		L12			L33-2467-05	SMALL FIXED INDUCTOR	
C746,747			CK73HB1A104K	CHIP C 0.10UF K		L13			L92-0374-05	CHIP FERRITE	
C748,749			CC73HCH1H470J	CHIP C 47PF J		L14 -16			L92-0332-05	CHIP FERRITE	
C751-754			CK73HB1A104K	CHIP C 0.10UF K		L17 ,18			L33-2457-05	SMALL FIXED INDUCTOR	
C755			CK73HB1E103K	CHIP C 0.010UF K		L21			L92-0373-05	CHIP FERRITE	
C763-766			CK73HB1A104K	CHIP C 0.10UF K		L400			L33-2457-05	SMALL FIXED INDUCTOR	
C767-769			CK73HB1E103K	CHIP C 0.010UF K		L401-408			L92-0373-05	CHIP FERRITE	
C770-772			CK73HB1A104K	CHIP C 0.10UF K		L409			L92-0319-05	CHIP FERRITE	
C773			CK73HB1E103K	CHIP C 0.010UF K		L410			L92-0332-05	CHIP FERRITE	
C774-776			CK73HB1A104K	CHIP C 0.10UF K		L411-414			L92-0641-05	FERRITE CORE	KK3R1
C777			CK73HB0J105K	CHIP C 1.0UF K		L411,412			L92-0641-05	FERRITE CORE	K1K2
C778-781			CK73HB1A104K	CHIP C 0.10UF K		L415,416			L92-0373-05	CHIP FERRITE	
C782-784			CK73HB0J105K	CHIP C 1.0UF K		L650-667			L92-0373-05	CHIP FERRITE	
C785			CK73HB1E103K	CHIP C 0.010UF K		X1			L77-2921-15	CRYSTAL RESONATOR(32.768KHZ, 1	
C786,787			CK73HB1A104K	CHIP C 0.10UF K							
C788			CK73HB1E103K	CHIP C 0.010UF K							

K: DNX9960 K1: DNX7160 K2: DNX7020EX K3: DDX896 (North America)
R1: DDX8046BT (Latin America)

⚠ indicates safety critical components.

PARTS LIST

VIDEO CONTROL UNIT(X15-143/144x-xx)

Ref.No.	A d d	N e w	Parts No.	Description	Dest inati on	Ref.No.	A d d	N e w	Parts No.	Description	Dest inati on
X2			L77-2974-05	CRYSTAL RESONATOR(11.0592MHZ)		R48 ,49			R92-5255-05	MG-R 0.100 1/3W	
X401		*	L77-3828-05	CRYSTAL RESONATOR(NX3225GA 15.		R50			RK73EB2E100J	CHIP R 10 J 1/4W	
X651			L77-2951-05	CRYSTAL RESONATOR(12.00MHZ)		R51 -53			R92-5244-05	MG-R 0.039 1/3W	
X652			L77-2921-15	CRYSTAL RESONATOR(32.768KHZ, 1		R54			RK73HB1J203J	CHIP R 20K J 1/16W	
Y	2D		N09-6731-05	MACHINE SCREW (BAINDO M3.0X14		R55			RK73GH2A511D	CHIP R 510 D 1/10W	
Z	2D		N10-2030-43	HEXAGON NUT (M 3)		R56			RK73GH2A162D	CHIP R 1.6K D 1/10W	
CP1			RK74HB1J101J	CHIP-COM 100 J 1/16W		R57			RK73HB1J153J	CHIP R 15K J 1/16W	
CP400			RK74HB1J103J	CHIP-COM 10K J 1/16W		R58			RK73HB1J000J	CHIP R 0.0 J 1/16W	
CP402			RK74HB1J473J	CHIP-COM 47K J 1/16W		R59			RK73GH2A562D	CHIP R 5.6K D 1/10W	
CP659			RK74HB1J220J	CHIP-COM 22 J 1/16W		R60			RK73GH2A223D	CHIP R 22K D 1/10W	
CP661-676			RK74HB1J220J	CHIP-COM 22 J 1/16W		R61			RK73HB1J000J	CHIP R 0.0 J 1/16W	
R1			RK73GH2A104D	CHIP R 100K D 1/10W		R62			RK73GH2A333D	CHIP R 33K D 1/10W	
R2			RK73GH2A334D	CHIP R 330K D 1/10W		R63			RK73GH2A223D	CHIP R 22K D 1/10W	
R3			RK73GH2A513D	CHIP R 51K D 1/10W		R64 -67			RK73HB1J100J	CHIP R 10 J 1/16W	
R4			RK73GH2A333D	CHIP R 33K D 1/10W		R68			RK73HB1J103J	CHIP R 10K J 1/16W	
R5			RK73GH2A334D	CHIP R 330K D 1/10W		R69			RK73GB2A000J	CHIP R 0.0 J 1/10W	
R6			RK73HB1J224J	CHIP R 220K J 1/16W		R70			RK73HB1J100J	CHIP R 10 J 1/16W	
R7			RK73GH2A113D	CHIP R 11K D 1/10W		R71			RK73HB1J2R2J	CHIP R 2.2 J 1/16W	
R8			RK73HB1J224J	CHIP R 220K J 1/16W		R72			RK73GB2A2R2J	CHIP R 2.2 J 1/10W	
R9			RK73GH2A104D	CHIP R 100K D 1/10W		R73			RK73HB1J100J	CHIP R 10 J 1/16W	
R10			RK73GH2A683D	CHIP R 68K D 1/10W		R74			RK73HB1J2R2J	CHIP R 2.2 J 1/16W	
R11 -13			RK73HB1J224J	CHIP R 220K J 1/16W		R75			RK73EB2E100J	CHIP R 10 J 1/4W	
R14			RK73HB1J473J	CHIP R 47K J 1/16W		R76 ,77			R92-5276-05	MG-R 0.033 J 1/3W	
R15			RK73FB2B223J	CHIP R 22K J 1/8W		R78			RK73EB2E100J	CHIP R 10 J 1/4W	
R16 ,17			RK73HB1J101J	CHIP R 100 J 1/16W		R79 ,80			R92-5244-05	MG-R 0.039 1/3W	
R18			RK73HB1J823J	CHIP R 82K J 1/16W		R81			RK73HB1J2R2J	CHIP R 2.2 J 1/16W	
R19			RK73HB1J103J	CHIP R 10K J 1/16W		R82			RK73HB1J123J	CHIP R 12K J 1/16W	
R20			RK73HB1J224J	CHIP R 220K J 1/16W		R83			RK73HB1J473J	CHIP R 47K J 1/16W	
R21			RK73HB1J333J	CHIP R 33K J 1/16W		R84			RK73GH2A333D	CHIP R 33K D 1/10W	
R22			RK73HB1J224J	CHIP R 220K J 1/16W		R86			RK73GH2A563D	CHIP R 56K D 1/10W	
R23			RK73HB1J333J	CHIP R 33K J 1/16W		R87 -89			RK73HB1J104J	CHIP R 100K J 1/16W	
R24			RK73GH2A470D	CHIP R 47 D 1/10W		R90			RK73HB1J473J	CHIP R 47K J 1/16W	
R25			RK73HB1J103J	CHIP R 10K J 1/16W		R91			RK73GB2A271J	CHIP R 270 J 1/10W	
R26			RK73HB1J683J	CHIP R 68K J 1/16W		R92			RK73HB1J473J	CHIP R 47K J 1/16W	
R27			RK73HB1J000J	CHIP R 0.0 J 1/16W		R93			RK73GB2A151J	CHIP R 150 J 1/10W	
R28			RK73FB2B000J	CHIP R 0.0 J 1/8W		R94			RK73GH2A203D	CHIP R 20K D 1/10W	
R29			RK73GH2A362D	CHIP R 3.6K D 1/10W		R95			RK73GH2A243D	CHIP R 24K D 1/10W	
R30			RK73HB1J000J	CHIP R 0.0 J 1/16W		R96			RK73HB1J473J	CHIP R 47K J 1/16W	
R31			RK73GH2A681D	CHIP R 680 D 1/10W		R97			RK73HB1J750J	CHIP R 75 J 1/16W	
R32			RK73GH2A333D	CHIP R 33K D 1/10W		R103			RK73HB1J223J	CHIP R 22K J 1/16W	
R33			RK73GH2A562D	CHIP R 5.6K D 1/10W		R104			RK73HB1J222J	CHIP R 2.2K J 1/16W	
R34			RK73HB1J100J	CHIP R 10 J 1/16W		R105			RK73HB1J102J	CHIP R 1.0K J 1/16W	
R35 ,36			RK73GH2A561D	CHIP R 560 D 1/10W		R107			RK73HB1J473J	CHIP R 47K J 1/16W	
R37			RK73GH2A333D	CHIP R 33K D 1/10W		R108			RK73HB1J391J	CHIP R 390 J 1/16W	
R38			RK73GH2A561D	CHIP R 560 D 1/10W		R111			RK73HB1J100J	CHIP R 10 J 1/16W	K3R1
R39			RK73HB1J000J	CHIP R 0.0 J 1/16W		R113			RK73HB1J104J	CHIP R 100K J 1/16W	
R40			RK73GH2A561D	CHIP R 560 D 1/10W		R114,115			RK73HB1J103J	CHIP R 10K J 1/16W	
R41			RK73HB1J000J	CHIP R 0.0 J 1/16W		R116			RK73HB1J100J	CHIP R 10 J 1/16W	
R42			RK73GB2A2R2J	CHIP R 2.2 J 1/10W		R117,118			RK73HB1J103J	CHIP R 10K J 1/16W	
R43			RK73HB1J100J	CHIP R 10 J 1/16W		R119			RK73HB1J473J	CHIP R 47K J 1/16W	
R44			RK73HB1J000J	CHIP R 0.0 J 1/16W		R120			RK73HB1J103J	CHIP R 10K J 1/16W	
R45			RK73HB1J100J	CHIP R 10 J 1/16W		R121			RK73HB1J473J	CHIP R 47K J 1/16W	
R46			RK73HB1J000J	CHIP R 0.0 J 1/16W		R122,123			RK73HB1J101J	CHIP R 100 J 1/16W	
R47			RK73EB2E100J	CHIP R 10 J 1/4W		R126			RK73HB1J473J	CHIP R 47K J 1/16W	
						R127-129			RK73HB1J103J	CHIP R 10K J 1/16W	

K: DNX9960 K1: DNX7160 K2: DNX7020EX K3: DDX896 (North America)
 R1: DDX8046BT (Latin America)

▲ indicates safety critical components.

PARTS LIST

VIDEO CONTROL UNIT(X15-143/144x-xx)

Ref.No.	A d d	N e w	Parts No.	Description	Dest inati on	Ref.No.	A d d	N e w	Parts No.	Description	Dest inati on
R130,131			RK73HB1J473J	CHIP R 47K J 1/16W	K1K2 KK3R1	R215			RK73HB1J104J	CHIP R 100K J 1/16W	
R132,133			RK73HB1J222J	CHIP R 2.2K J 1/16W		R216,217			RK73HB1J222J	CHIP R 2.2K J 1/16W	
R133			RK73HB1J223J	CHIP R 22K J 1/16W		R218			RK73HB1J102J	CHIP R 1.0K J 1/16W	
R134			RK73GB2A000J	CHIP R 0.0 J 1/10W		R219			RK73HB1J103J	CHIP R 10K J 1/16W	
R135			RK73HB1J104J	CHIP R 100K J 1/16W		R220			RK73HB1J101J	CHIP R 100 J 1/16W	
R136			RK73HB1J473J	CHIP R 47K J 1/16W		R221,222			RK73HB1J104J	CHIP R 100K J 1/16W	
R137			RK73HB1J104J	CHIP R 100K J 1/16W		R223			RK73HB1J101J	CHIP R 100 J 1/16W	
R138			RK73HB1J473J	CHIP R 47K J 1/16W		R224			RK73GB2A000J	CHIP R 0.0 J 1/10W	
R139			RK73HB1J104J	CHIP R 100K J 1/16W		R225			RK73HB1J101J	CHIP R 100 J 1/16W	
R140			RK73HB1J223J	CHIP R 22K J 1/16W		R226			RK73HB1J223J	CHIP R 22K J 1/16W	
R141			RK73HB1J222J	CHIP R 2.2K J 1/16W		R227			RK73HB1J000J	CHIP R 0.0 J 1/16W	KK1K3 R1 KK1K2
R142-147			RK73HB1J101J	CHIP R 100 J 1/16W		R228			RK73HB1J105J	CHIP R 1.0M J 1/16W	
R148			RK73HB1J000J	CHIP R 0.0 J 1/16W		R230			RK73HB1J223J	CHIP R 22K J 1/16W	
R149			RK73HB1J101J	CHIP R 100 J 1/16W		R230			RK73HB1J223J	CHIP R 22K J 1/16W	
R151			RK73HB1J473J	CHIP R 47K J 1/16W		R231			RK73GB2A103J	CHIP R 10K J 1/10W	
R152-155			RK73HB1J101J	CHIP R 100 J 1/16W		R231			RK73GB2A103J	CHIP R 10K J 1/10W	K3 K2 R1
R156			RK73HB1J473J	CHIP R 47K J 1/16W		R233			RK73HB1J104J	CHIP R 100K J 1/16W	
R157			RK73HB1J102J	CHIP R 1.0K J 1/16W		R234			RK73GB2A103J	CHIP R 10K J 1/10W	
R158			RK73HB1J103J	CHIP R 10K J 1/16W		R235			RK73HB1J223J	CHIP R 22K J 1/16W	
R159,160			RK73HB1J223J	CHIP R 22K J 1/16W		R237,238			RK73HB1J223J	CHIP R 22K J 1/16W	
R161			RK73HB1J222J	CHIP R 2.2K J 1/16W		R240-243			RK73HB1J101J	CHIP R 100 J 1/16W	
R162,163			RK73HB1J101J	CHIP R 100 J 1/16W		R244-247			RK73HH1J100D	CHIP R 10 D 1/16W	
R164			RK73HB1J222J	CHIP R 2.2K J 1/16W		R248,249			RK73HB1J101J	CHIP R 100 J 1/16W	
R165			RK73HB1J101J	CHIP R 100 J 1/16W		R250			RK73HB1J000J	CHIP R 0.0 J 1/16W	
R166			RK73HB1J100J	CHIP R 10 J 1/16W		R251,252			RK73HB1J100J	CHIP R 10 J 1/16W	
R167			RK73HB1J222J	CHIP R 2.2K J 1/16W		R253,254			RK73HB1J101J	CHIP R 100 J 1/16W	
R168			RK73HB1J101J	CHIP R 100 J 1/16W		R255	*		RK73HH1J330D	CHIP R 33 D 1/16W	
R169			RK73HB1J222J	CHIP R 2.2K J 1/16W		R256			RK73HB1J472J	CHIP R 4.7K J 1/16W	
R170,171			RK73HB1J101J	CHIP R 100 J 1/16W		R257	*		RK73HH1J330D	CHIP R 33 D 1/16W	
R172-174			RK73HB1J223J	CHIP R 22K J 1/16W		R259	*		RK73HH1J330D	CHIP R 33 D 1/16W	
R175,176			RK73HB1J103J	CHIP R 10K J 1/16W		R260			RK73HB1J823J	CHIP R 82K J 1/16W	
R177			RK73HB1J101J	CHIP R 100 J 1/16W		R261			RK73HB1J470J	CHIP R 47 J 1/16W	
R178			RK73GB2A471J	CHIP R 470 J 1/10W		R262			RK73HB1J103J	CHIP R 10K J 1/16W	
R179,180			RK73HB1J104J	CHIP R 100K J 1/16W		R263			RK73HB1J470J	CHIP R 47 J 1/16W	
R181			RK73HB1J223J	CHIP R 22K J 1/16W		R264-266			RK73HH1J470D	CHIP R 47 D 1/16W	
R182			RK73HB1J104J	CHIP R 100K J 1/16W		R267			RK73HB1J000J	CHIP R 0.0 J 1/16W	KK1K2
R183			RK73HB1J223J	CHIP R 22K J 1/16W		R270,271			RK73HB1J101J	CHIP R 100 J 1/16W	
R185			RK73HB1J102J	CHIP R 1.0K J 1/16W		R272,273			RK73HB1J470J	CHIP R 47 J 1/16W	
R186			RK73HB1J223J	CHIP R 22K J 1/16W		R274			RK73HB1J101J	CHIP R 100 J 1/16W	
R187			RK73HB1J104J	CHIP R 100K J 1/16W		R275			RK73HB1J100J	CHIP R 10 J 1/16W	
R190-192			RK73HB1J101J	CHIP R 100 J 1/16W		R276,277			RK73HB1J100J	CHIP R 10 J 1/16W	KK1K2 KK1K2 KK1K2 KK1K2 KK1K2
R193			RK73HB1J104J	CHIP R 100K J 1/16W		R278			RK73GB2A750J	CHIP R 75 J 1/10W	
R194-196			RK73HB1J223J	CHIP R 22K J 1/16W		R279			RK73GB2A102J	CHIP R 1.0K J 1/10W	
R198			RK73HB1J223J	CHIP R 22K J 1/16W		R280			RK73GH2A102D	CHIP R 1.0K D 1/10W	
R199			RK73HB1J104J	CHIP R 100K J 1/16W		R281			RK73GH2A511D	CHIP R 510 D 1/10W	
R200-202			RK73HB1J223J	CHIP R 22K J 1/16W		R282			RK73HB1J100J	CHIP R 10 J 1/16W	KK1K2
R204,205			RK73HB1J223J	CHIP R 22K J 1/16W		R283			RK73HB1J224J	CHIP R 220K J 1/16W	
R207			RK73HB1J102J	CHIP R 1.0K J 1/16W		R284			RK73HB1J4R7J	CHIP R 4.7 J 1/16W	
R208			RK73HB1J223J	CHIP R 22K J 1/16W		R285			RK73FB2B102J	CHIP R 1.0K J 1/8W	
R209			RK73HB1J104J	CHIP R 100K J 1/16W		R286-289			RK73FB2B000J	CHIP R 0.0 J 1/8W	
R210			RK73HB1J102J	CHIP R 1.0K J 1/16W		R286-289			RK73FB2B100J	CHIP R 10 J 1/8W	K3R1 K3R1 K3R1
R211			RK73HB1J471J	CHIP R 470 J 1/16W		R293			RK73GH2A750D	CHIP R 75 D 1/10W	
R212			RK73HB1J103J	CHIP R 10K J 1/16W		R294			RK73FB2B4R7J	CHIP R 4.7 J 1/8W	
R213			RK73HB1J101J	CHIP R 100 J 1/16W		R295			RK73HB1J333J	CHIP R 33K J 1/16W	
R214			RK73HB1J102J	CHIP R 1.0K J 1/16W		R296			RK73HB1J224J	CHIP R 220K J 1/16W	

K: DNX9960 K1: DNX7160 K2: DNX7020EX K3: DDX896 (North America)
R1: DDX8046BT (Latin America)

▲ indicates safety critical components.

PARTS LIST

VIDEO CONTROL UNIT(X15-143/144x-xx)

Ref.No.	A d d	N e w	Parts No.	Description	Dest inati on	Ref.No.	A d d	N e w	Parts No.	Description	Dest inati on
R297			RK73HB1J102J	CHIP R 1.0K J 1/16W		R403			RK73GB2A102J	CHIP R 1.0K J 1/10W	
R298			RK73FB2B100J	CHIP R 10 J 1/8W	K3R1	R404			RK73GB2A101J	CHIP R 100 J 1/10W	
R299			RK73GB2A100J	CHIP R 10 J 1/10W		R405-409			RK73HB1J220J	CHIP R 22 J 1/16W	
R300,301			RK73FB2B102J	CHIP R 1.0K J 1/8W	K3R1	R410			RK73GB2A102J	CHIP R 1.0K J 1/10W	
R302,303			RK73HB1J000J	CHIP R 0.0 J 1/16W		R412			RK73GB2A470J	CHIP R 47 J 1/10W	KK3R1
R304			RK73HB1J223J	CHIP R 22K J 1/16W		R414			RK73GB2A000J	CHIP R 0.0 J 1/10W	
R305			RK73HB1J101J	CHIP R 100 J 1/16W		R415			RK73HB1J223J	CHIP R 22K J 1/16W	
R306			RK73HB1J223J	CHIP R 22K J 1/16W		R416			RK73EB2E000J	CHIP R 0.0 J 1/4W	
R307			RK73HB1J473J	CHIP R 47K J 1/16W		R417			RK73HB1J223J	CHIP R 22K J 1/16W	
R308			RK73HB1J100J	CHIP R 10 J 1/16W	K3R1	R418,419			RK73GB2A471J	CHIP R 470 J 1/10W	
R310			RK73GH2A472D	CHIP R 4.7K D 1/10W		R420			RK73HB1J223J	CHIP R 22K J 1/16W	
R311			RK73GH2A101D	CHIP R 100 D 1/10W		R421,422			RK73GB2A473J	CHIP R 47K J 1/10W	
R312			RK73GH2A202D	CHIP R 2.0K D 1/10W		R424			RK73HB1J910J	CHIP R 91 J 1/16W	KK3R1
R314			RK73HB1J473J	CHIP R 47K J 1/16W		R425			RK73HB1J331J	CHIP R 330 J 1/16W	KK3R1
R315			RK73HB1J681J	CHIP R 680 J 1/16W		R426,427			RK73HB1J223J	CHIP R 22K J 1/16W	
R316,317			RK73HB1J101J	CHIP R 100 J 1/16W		R430-433			RK73HB1J752J	CHIP R 7.5K J 1/16W	
R318			RK73HB1J223J	CHIP R 22K J 1/16W		R436,437			RK73GH2A750D	CHIP R 75 D 1/10W	
R319,320			RK73HB1J101J	CHIP R 100 J 1/16W		R438			RK73GH2A151D	CHIP R 150 D 1/10W	
R321			RK73HB1J473J	CHIP R 47K J 1/16W		R439,440			RK73HB1J223J	CHIP R 22K J 1/16W	
R322			RK73HB1J100J	CHIP R 10 J 1/16W	K1K2K3	R441			RK73GH2A362D	CHIP R 3.6K D 1/10W	
R322			RK73HB1J100J	CHIP R 10 J 1/16W	R1	R443			RK73GH2A201D	CHIP R 200 D 1/10W	
R323,324			RK73HB1J472J	CHIP R 4.7K J 1/16W	K	R444-447			RK73GH2A750D	CHIP R 75 D 1/10W	
R325			RK73GB2A000J	CHIP R 0.0 J 1/10W	K	R448,449			RK73HB1J101J	CHIP R 100 J 1/16W	
R326			RK73HB1J472J	CHIP R 4.7K J 1/16W	K	R452,453			RK73GH2A750D	CHIP R 75 D 1/10W	
R327			RK73HB1J104J	CHIP R 100K J 1/16W	K	R455			RK73GH2A471D	CHIP R 470 D 1/10W	
R331-333			RK73HB1J560J	CHIP R 56 J 1/16W	K	R460			RK73GH2A471D	CHIP R 470 D 1/10W	
R334,335			RK73HB1J220J	CHIP R 22 J 1/16W	K	R462			RK73HB1J103J	CHIP R 10K J 1/16W	
R336			RK73HB1J104J	CHIP R 100K J 1/16W	K	R463			RK73GH2A151D	CHIP R 150 D 1/10W	
R337,338			RK73HB1J220J	CHIP R 22 J 1/16W	K	R464			RK73HB1J222J	CHIP R 2.2K J 1/16W	
R340			RK73HB1J000J	CHIP R 0.0 J 1/16W	K	R465			RK73HB1J000J	CHIP R 0.0 J 1/16W	
R341,342			RK73FB2B101J	CHIP R 100 J 1/8W		R466			RK73HB1J103J	CHIP R 10K J 1/16W	
R343,344			RK73GB2A101J	CHIP R 100 J 1/10W		R468,469			RK73GH2A151D	CHIP R 150 D 1/10W	
R347			RK73HB1J000J	CHIP R 0.0 J 1/16W		R470			RK73HB1J473J	CHIP R 47K J 1/16W	
R349			RK73HB1J102J	CHIP R 1.0K J 1/16W		R472			RK73GB2A000J	CHIP R 0.0 J 1/10W	
R352			RK73HB1J000J	CHIP R 0.0 J 1/16W		R473,474			RK73HB1J204J	CHIP R 200K J 1/16W	
R353-355			RK73HB1J101J	CHIP R 100 J 1/16W		R475,476			RK73HB1J104J	CHIP R 100K J 1/16W	
R358,359			RK73HB1J103J	CHIP R 10K J 1/16W		R478			RK73HB1J103J	CHIP R 10K J 1/16W	
R360			RK73HB1J223J	CHIP R 22K J 1/16W		R479,480			RK73HB1J204J	CHIP R 200K J 1/16W	
R361,362			RK73HB1J103J	CHIP R 10K J 1/16W	K3R1	R481			RK73HB1J103J	CHIP R 10K J 1/16W	
R363			RK73HB1J472J	CHIP R 4.7K J 1/16W	K3R1	R482			RK73HB1J102J	CHIP R 1.0K J 1/16W	
R364			RK73HB1J103J	CHIP R 10K J 1/16W		R483			RK73HB1J101J	CHIP R 100 J 1/16W	
R365			RK73HB1J101J	CHIP R 100 J 1/16W	KK1K2	R485,486			RK73HB1J204J	CHIP R 200K J 1/16W	
R369			RK73HB1J103J	CHIP R 10K J 1/16W		R488,489			RK73HB1J472J	CHIP R 4.7K J 1/16W	KK3R1
R370			RK73HB1J223J	CHIP R 22K J 1/16W		R489			RK73HB1J472J	CHIP R 4.7K J 1/16W	K1K2
R372,373			RK73HB1J222J	CHIP R 2.2K J 1/16W		R491			RK73HB1J223J	CHIP R 22K J 1/16W	
R374-377			RK73HB1J473J	CHIP R 47K J 1/16W		R492			RK73HB1J512J	CHIP R 5.1K J 1/16W	
R378,379			RK73HB1J000J	CHIP R 0.0 J 1/16W		R493-498			RK73HB1J223J	CHIP R 22K J 1/16W	
R380			RK73HB1J2R2J	CHIP R 2.2 J 1/16W		R500			RK73HB1J102J	CHIP R 1.0K J 1/16W	
R381,382			RK73HB1J000J	CHIP R 0.0 J 1/16W		R501			RK73HB1J223J	CHIP R 22K J 1/16W	
R383-386			RK73HB1J473J	CHIP R 47K J 1/16W		R503-505			RK73HB1J101J	CHIP R 100 J 1/16W	
R390			RK73HB1J473J	CHIP R 47K J 1/16W		R507			RK73GB2A101J	CHIP R 100 J 1/10W	
R391			RK73GB2A151J	CHIP R 150 J 1/10W		R508			RK73HB1J331J	CHIP R 330 J 1/16W	
R392			RK73HB1J4R7J	CHIP R 4.7 J 1/16W	K	R509-512			RK73HB1J101J	CHIP R 100 J 1/16W	
R400			RK73GB2A100J	CHIP R 10 J 1/10W		R513			RK73HB1J154J	CHIP R 150K J 1/16W	
R401,402			RK73GB2A101J	CHIP R 100 J 1/10W		R514			RK73HB1J103J	CHIP R 10K J 1/16W	KK3R1

K: DNX9960 K1: DNX7160 K2: DNX7020EX K3: DDX896 (North America)
R1: DDX8046BT (Latin America)

⚠ indicates safety critical components.

PARTS LIST

VIDEO CONTROL UNIT(X15-143/144x-xx)

Ref.No.	A d d	N e w	Parts No.	Description	Dest inati on	Ref.No.	A d d	N e w	Parts No.	Description	Dest inati on
R516			RK73HB1J103J	CHIP R 10K J 1/16W		R671			RK73HB1J472J	CHIP R 4.7K J 1/16W	
R518			RK73HB1J101J	CHIP R 100 J 1/16W		R672-674			RK73HB1J220J	CHIP R 22 J 1/16W	
R519			RK73GB2A000J	CHIP R 0.0 J 1/10W		R675			RK73HB1J223J	CHIP R 22K J 1/16W	
R520			RK73HB1J222J	CHIP R 2.2K J 1/16W		R676			RK73HB1J101J	CHIP R 100 J 1/16W	
R522,523			RK73HB1J101J	CHIP R 100 J 1/16W		R677,678			RK73HB1J220J	CHIP R 22 J 1/16W	
R525			RK73HB1J222J	CHIP R 2.2K J 1/16W		R679			RK73HB1J103J	CHIP R 10K J 1/16W	
R526,527			RK73HB1J101J	CHIP R 100 J 1/16W		R680			RK73HB1J101J	CHIP R 100 J 1/16W	
R530			RK73HB1J101J	CHIP R 100 J 1/16W		R681-686			RK73HB1J220J	CHIP R 22 J 1/16W	
R531			RK73HB1J223J	CHIP R 22K J 1/16W		R688			RK73HH1J122D	CHIP R 1.2K D 1/16W	
R532			RK73HB1J101J	CHIP R 100 J 1/16W		R690,691			RK73HB1J220J	CHIP R 22 J 1/16W	
R533,534			RK73HB1J223J	CHIP R 22K J 1/16W		R693-699			RK73HB1J220J	CHIP R 22 J 1/16W	
R536			RK73HB1J101J	CHIP R 100 J 1/16W		R701			RK73HB1J220J	CHIP R 22 J 1/16W	
R541			RK73GB2A000J	CHIP R 0.0 J 1/10W	KK3R1	R703,704			RK73HB1J220J	CHIP R 22 J 1/16W	
R545			RK73HB1J223J	CHIP R 22K J 1/16W		R706-711			RK73HB1J220J	CHIP R 22 J 1/16W	
R546			RK73HB1J101J	CHIP R 100 J 1/16W		R712			RK73HB1J223J	CHIP R 22K J 1/16W	
R547			RK73HB1J104J	CHIP R 100K J 1/16W		R713-723			RK73HB1J220J	CHIP R 22 J 1/16W	
R548			RK73EB2E330J	CHIP R 33 J 1/4W	KK3R1	R724,725			RK73HB1J223J	CHIP R 22K J 1/16W	
R550			RK73HB1J101J	CHIP R 100 J 1/16W		R726			RK73HB1J220J	CHIP R 22 J 1/16W	
R551			RK73EB2E330J	CHIP R 33 J 1/4W	KK3R1	R727			RK73HB1J223J	CHIP R 22K J 1/16W	
R555-557			RK73HB1J223J	CHIP R 22K J 1/16W		R729			RK73HB1J220J	CHIP R 22 J 1/16W	
R560,561			RK73HB1J223J	CHIP R 22K J 1/16W		R731-733			RK73HB1J220J	CHIP R 22 J 1/16W	
R563,564			RK73HB1J223J	CHIP R 22K J 1/16W		R734			RK73HB1J102J	CHIP R 1.0K J 1/16W	
R566			RK73HB1J223J	CHIP R 22K J 1/16W		R736,737			RK73HB1J220J	CHIP R 22 J 1/16W	
R571			RK73HB1J101J	CHIP R 100 J 1/16W		R738			RK73HB1J223J	CHIP R 22K J 1/16W	
R572			RK73HB1J223J	CHIP R 22K J 1/16W		R739			RK73HB1J220J	CHIP R 22 J 1/16W	
R574			RK73HB1J101J	CHIP R 100 J 1/16W		R742			RK73HB1J220J	CHIP R 22 J 1/16W	
R575			RK73HB1J223J	CHIP R 22K J 1/16W		R743			RK73HB1J223J	CHIP R 22K J 1/16W	
R577			RK73HB1J223J	CHIP R 22K J 1/16W		R744-746			RK73HB1J220J	CHIP R 22 J 1/16W	
R578			RK73HB1J101J	CHIP R 100 J 1/16W		R748			RK73HB1J220J	CHIP R 22 J 1/16W	KK3R1
R579			RK73HB1J103J	CHIP R 10K J 1/16W		R749			RK73HB1J101J	CHIP R 100 J 1/16W	
R580			RK73HB1J101J	CHIP R 100 J 1/16W		R750			RK73HB1J223J	CHIP R 22K J 1/16W	
R581			RK73HB1J222J	CHIP R 2.2K J 1/16W		R751-754			RK73HB1J220J	CHIP R 22 J 1/16W	
R582			RK73HB1J103J	CHIP R 10K J 1/16W		R755			RK73HB1J000J	CHIP R 0.0 J 1/16W	
R583			RK73HB1J101J	CHIP R 100 J 1/16W		R756			RK73HB1J220J	CHIP R 22 J 1/16W	
R584			RK73HB1J000J	CHIP R 0.0 J 1/16W		R757			RK73HB1J101J	CHIP R 100 J 1/16W	
R585			RK73HB1J101J	CHIP R 100 J 1/16W		R758,759			RK73HB1J000J	CHIP R 0.0 J 1/16W	
R586,587			RK73HB1J000J	CHIP R 0.0 J 1/16W		R760			RK73HB1J101J	CHIP R 100 J 1/16W	
R588,589			RK73HB1J102J	CHIP R 1.0K J 1/16W		R764			RK73HB1J472J	CHIP R 4.7K J 1/16W	
R593			RK73HB1J223J	CHIP R 22K J 1/16W		R765			RK73HB1J000J	CHIP R 0.0 J 1/16W	
R594			RK73FB2B000J	CHIP R 0.0 J 1/8W		R766-768			RK73HB1J223J	CHIP R 22K J 1/16W	
R595			RK73HB1J101J	CHIP R 100 J 1/16W		R769			RK73HB1J301J	CHIP R 300 J 1/16W	
R596			RK73HB1J222J	CHIP R 2.2K J 1/16W		R770-789			RK73HB1J220J	CHIP R 22 J 1/16W	
R601			RK73HB1J104J	CHIP R 100K J 1/16W		R790			RK73HB1J000J	CHIP R 0.0 J 1/16W	
R602-605			RK73HB1J223J	CHIP R 22K J 1/16W		R791-798			RK73HB1J220J	CHIP R 22 J 1/16W	
R607,608			RK73HB1J473J	CHIP R 47K J 1/16W		R799			RK73HB1J102J	CHIP R 1.0K J 1/16W	
R609			RK73HB1J102J	CHIP R 1.0K J 1/16W		R800			RK73HB1J220J	CHIP R 22 J 1/16W	
R610			RK73HB1J223J	CHIP R 22K J 1/16W		R803-806			RK73HB1J220J	CHIP R 22 J 1/16W	
R611-615			RK73GB2A000J	CHIP R 0.0 J 1/10W		R812,813			RK73GH2A103D	CHIP R 10K D 1/10W	
R616-619			RK73HB1J223J	CHIP R 22K J 1/16W		R817,818			RK73GH2A103D	CHIP R 10K D 1/10W	
R621-623			RK73HB1J101J	CHIP R 100 J 1/16W		R821,822			RK73HB1J121J	CHIP R 120 J 1/16W	
R651			RK73HB1J223J	CHIP R 22K J 1/16W		R825-827			RK73HB1J223J	CHIP R 22K J 1/16W	
R653			RK73HB1J105J	CHIP R 1.0M J 1/16W		R829,830			RK73HB1J103J	CHIP R 10K J 1/16W	
R654			RK73HB1J220J	CHIP R 22 J 1/16W		R831			RK73HB1J223J	CHIP R 22K J 1/16W	
R659			RK73GB2A106J	CHIP R 10M J 1/10W		R832			RK73HB1J331J	CHIP R 330 J 1/16W	KK3R1
R669		*	RK73HH1J44R2D	CHIP R 44.2 D 1/16W		R833			RK73HB1J910J	CHIP R 91 J 1/16W	KK3R1

K: DNX9960 K1: DNX7160 K2: DNX7020EX K3: DDX896 (North America)
R1: DDX8046BT (Latin America)


▲ indicates safety critical components.

PARTS LIST

VIDEO CONTROL UNIT(X15-143/144x-xx)

Ref.No.	A d d	N e w	Parts No.	Description	Dest inati on	Ref.No.	A d d	N e w	Parts No.	Description	Dest inati on
R835			RK73HB1J220J	CHIP R 22 J 1/16W		D30 ,31			CVL10C270M300	VARISTOR	K3R1
R836			RK73HB1J223J	CHIP R 22K J 1/16W		D32			CVS10A180M	VARISTOR	K3R1
R839			RK73HB1J223J	CHIP R 22K J 1/16W	K3R1	D34			CVS10A180M	VARISTOR	K3R1
R840-842			RK73HB1J223J	CHIP R 22K J 1/16W	KK1K2	D35 ,36			CVS10A120M	VARISTOR	
R841,842			RK73HB1J223J	CHIP R 22K J 1/16W	K3R1	D56			RB717F	DIODE	
R843-847			RK73HB1J220J	CHIP R 22 J 1/16W		D400	*		MC2846-T111	DIODE	
R848			RK73HB1J223J	CHIP R 22K J 1/16W		D408,409			AVRL1613R3FTA	VARISTOR	KK3R1
R849			RK73HB1J152J	CHIP R 1.5K J 1/16W		IC1			XC6209B502P1	ANALOGUE IC	
W9			R92-1252-05	CHIP R 0 OHM J 1/16W		IC2			74AHC1GU04GW	MOS-IC	
W15	*		R92-5428-05	JUMPER WIRE (RESISTOR TYPE)		IC3			LTC3728LEUH	ANALOGUE IC	
W16 -18			R92-1252-05	CHIP R 0 OHM J 1/16W		IC4			LTC3850EUFD	ANALOGUE IC	
W20 ,21			R92-1252-05	CHIP R 0 OHM J 1/16W		IC5	*		LM26003MHX	ANALOGUE IC	
W22 ,23	*		R92-5428-05	JUMPER WIRE (RESISTOR TYPE)		IC6			R1173S001D-F	ANALOGUE IC (LDO ADJ)	
W24 -27			R92-1252-05	CHIP R 0 OHM J 1/16W		IC7			XC6120N362N-G	MOS-IC	
W30 -33			R92-1252-05	CHIP R 0 OHM J 1/16W		IC8			XC6219B122PR	ANALOGUE IC	
W37	*		R92-5428-05	JUMPER WIRE (RESISTOR TYPE)		IC10			NJM4565V-ZB	ANALOGUE IC	
W39	*		R92-5428-05	JUMPER WIRE (RESISTOR TYPE)		IC12			NJM4565V-ZB	ANALOGUE IC	
W41	*		R92-5428-05	JUMPER WIRE (RESISTOR TYPE)		IC13			XC6209B502P1	ANALOGUE IC	
W43			R92-1252-05	CHIP R 0 OHM J 1/16W		IC14			W05-1548-00	ROM IC	KK1
W47	*		R92-5428-05	JUMPER WIRE (RESISTOR TYPE)		IC14			W05-1548-00	ROM IC	K2K3
W49	*		R92-5428-05	JUMPER WIRE (RESISTOR TYPE)		IC14			W05-1551-00	ROM IC	R1
W51	*		R92-5428-05	JUMPER WIRE (RESISTOR TYPE)		IC16			XC6120N362N-G	MOS-IC	
W53	*		R92-5428-05	JUMPER WIRE (RESISTOR TYPE)		IC17	*		30878MJB59GP	MICROCONTROLLER IC	
W55 -57	*		R92-5428-05	JUMPER WIRE (RESISTOR TYPE)	K	IC18			TC7SET08FU-F	MOS-IC	
W64 -67	*		R92-5428-05	JUMPER WIRE (RESISTOR TYPE)	K	IC21,22			TC7SET08FU-F	MOS-IC	
W65 -67	*		R92-5428-05	JUMPER WIRE (RESISTOR TYPE)	K1K2K3	IC23			R1173S001D-F	ANALOGUE IC (LDO ADJ)	
W65 -67	*		R92-5428-05	JUMPER WIRE (RESISTOR TYPE)	R1	IC24			TC7WH126FU-F	MOS-IC	
W401	*		R92-5428-05	JUMPER WIRE (RESISTOR TYPE)		IC25			R1114N331B-TR	ANALOGUE IC (3.3V LF)	K
W404,405	*		R92-5428-05	JUMPER WIRE (RESISTOR TYPE)		IC26			WM8974GEFL/RV	MOS-IC	K
W419	*		R92-5428-05	JUMPER WIRE (RESISTOR TYPE)		IC27,28			XC6201P502PR	ANALOGUE IC	
W419,420	*		R92-5428-05	JUMPER WIRE (RESISTOR TYPE)	KK3R1	IC300			TC7SET08FU-F	MOS-IC	K3R1
W430	*		R92-5428-05	JUMPER WIRE (RESISTOR TYPE)		IC400			AK4388AETP	MOS-IC	
W449	*		R92-5428-05	JUMPER WIRE (RESISTOR TYPE)		IC402	*		TC7SG86FU-F	MOS-IC	
W451-455	*		R92-5428-05	JUMPER WIRE (RESISTOR TYPE)		IC403	*		THS8136IPHR	MOS-IC	
W457	*		R92-5428-05	JUMPER WIRE (RESISTOR TYPE)		IC404			TC7SG04FU-F	MOS-IC	
W460-463	*		R92-5428-05	JUMPER WIRE (RESISTOR TYPE)		IC405			NJM4565V-ZB	ANALOGUE IC	
W466	*		R92-5428-05	JUMPER WIRE (RESISTOR TYPE)		IC406			MM1503-E	ANALOGUE IC	
W650-652	*		R92-5428-05	JUMPER WIRE (RESISTOR TYPE)		IC407			NJM2561F1-ZB	ANALOGUE IC	
W654-656	*		R92-5428-05	JUMPER WIRE (RESISTOR TYPE)		IC409	*		MM1734XVBE	MOS-IC	
W660	*		R92-5428-05	JUMPER WIRE (RESISTOR TYPE)		IC410	*		AN15886A-VF	MOS-IC	
W662-667	*		R92-5428-05	JUMPER WIRE (RESISTOR TYPE)		IC411			MFI341S2162	MICROPROCESSOR IC	
W671	*		R92-5428-05	JUMPER WIRE (RESISTOR TYPE)		IC413			NJM2516VC3-ZB	ANALOGUE IC	
W676	*		R92-5428-05	JUMPER WIRE (RESISTOR TYPE)		IC414			MIC2005-05YM6	MOS-IC	KK3R1
W678	*		R92-5428-05	JUMPER WIRE (RESISTOR TYPE)	KK3R1	IC415			MIC2005-12YM6	MOS-IC	
W850	*		R92-5428-05	JUMPER WIRE (RESISTOR TYPE)		IC417			F3650EDFB6D0	MICROCONTROLLER IC	
D1			1SR154-400	DIODE		IC418	*		NA02GW3B2DN6E	ROM IC	
D2			UDZW9.1(B)	ZENER DIODE		IC421			TC7SZ125FU-F	MOS-IC	KK3R1
D3			1SR154-400	DIODE		IC650			74LVC3G34DP	MOS-IC	
D6 ,7			1SS357-F	DIODE		IC651,652	*		TC7WVP3125FK-F	MOS-IC	
D9 ,10			1SS357-F	DIODE		IC653	*		-	MICROPROCESSOR IC	
D12			F2J4	DIODE		IC656,657	*		-	DRAM IC	
D16			HSU119TRF-E	DIODE		IC658			TC7SZ125FU-F	MOS-IC	KK3R1
D19			CVL10C270M300	VARISTOR		Q1			RT1N441U-T111	TRANSISTOR	
D22 ,23			HSU119TRF-E	DIODE		Q2			2SC4617	TRANSISTOR	
D29			RKZ6.2KG(B2)	ZENER DIODE	K3R1	Q3			2SA1774	TRANSISTOR	

K: DNX9960 **K1:** DNX7160 **K2:** DNX7020EX **K3:** DDX896 (North America)
R1: DDX8046BT (Latin America)

 indicates safety critical components.

PARTS LIST

VIDEO CONTROL UNIT(X15-143/144x-xx)

Ref.No.	A d d	N e w	Parts No.	Description	Dest inati on
Q4			RT1N144U-T111	TRANSISTOR	
Q5			RT1P140M-T111	TRANSISTOR	
Q6			2SC4617	TRANSISTOR	
Q7			2SA1774	TRANSISTOR	
Q8			2SC4617	TRANSISTOR	
Q9			RT1P141U-T111	TRANSISTOR	
Q10			RT1N441U-T111	TRANSISTOR	
Q11			2SB1184(Q,R)	TRANSISTOR	
Q12			2SC4617	TRANSISTOR	
Q13			RT1N441U-T111	TRANSISTOR	
Q14 ,15			2SA1774	TRANSISTOR	
Q16			TPC8110-F	FET	
Q18 ,19			RT1N441U-T111	TRANSISTOR	
Q20 -23			HAT2218R-E	DUAL FET	
Q24 ,25			RT1N441U-T111	TRANSISTOR	
Q26			CPH3105-E	TRANSISTOR	
Q27			RT1N144U-T111	TRANSISTOR	
Q28			CPH3105-E	TRANSISTOR	
Q29			2SK3019	FET	
Q30			2SB1689	TRANSISTOR	
Q32			RT1N441U-T111	TRANSISTOR	
Q33			CPH3105-E	TRANSISTOR	
Q34			2SA1774	TRANSISTOR	
Q35			2SC4617	TRANSISTOR	
Q36 ,37			2SA1774	TRANSISTOR	
Q38			RT1N441U-T111	TRANSISTOR	
Q39 ,40			2SC4617	TRANSISTOR	
Q41			RT1P144U-T111	TRANSISTOR	
Q42			RT1N436U-T111	TRANSISTOR	
Q44			RT1P144U-T111	TRANSISTOR	
Q45			2SA1774	TRANSISTOR	KK1K2
Q54 ,55			2SK3019	FET	
Q56			2SA1774	TRANSISTOR	
Q57 ,58			RT1N441U-T111	TRANSISTOR	
Q59 ,60			2SA1774	TRANSISTOR	
Q61			TPC8110-F	FET	
Q62			RT1N144U-T111	TRANSISTOR	KK1K2
Q63			RT1P141U-T111	TRANSISTOR	KK1K2
Q200			RT1N441U-T111	TRANSISTOR	
Q201,202			RT1P144U-T111	TRANSISTOR	
Q300,301			2SC4617	TRANSISTOR	K3R1
Q302			RT1N441U-T111	TRANSISTOR	
Q400			RT1P144U-T111	TRANSISTOR	
Q401,402			DTC143TE	DIGITAL TRANSISTOR	
Q405			RT1N441U-T111	TRANSISTOR	
Q406			RT1P144U-T111	TRANSISTOR	
353	2D	*	W02-5371-15	ELECTRIC CIRCUIT MODULE(BT)	
SWITCH UNIT(X16-6870-10)					
D101		*	B30-3218-05	LED	
D104			B30-1784-05	LED(RGB SIDE)	
D106			B30-1784-05	LED(RGB SIDE)	
C101			CK73HB1A104K	CHIP C 0.10UF K	
C102			CC73HCH1H102J	CHIP C 1000PF J	

Ref.No.	A d d	N e w	Parts No.	Description	Dest inati on
CN101		*	E41-3150-05	FLAT CABLE CONNECTOR	
R110-113			RK73HB1J561J	CHIP R 560 J 1/16W	
R115-118			RK73HB1J561J	CHIP R 560 J 1/16W	
S101			S70-0948-05	TACT SWITCH	
D102			CVS10A120M	VARISTOR	
D107			CVS10A120M	VARISTOR	
D108-111			AVRM1005270MA	VARISTOR	
IC101		*	CY8C2023412KA	MOS-IC	
IC102			PIC95603	ANALOGUE IC	
SUB-CIRCUIT UNIT(X16-6910-10)					
C1			CK73GB1A105K	CHIP C 1.0UF K	KK1K2
C2			CK73GB1H103K	CHIP C 0.010UF K	KK1K2
C3			CK73GB1A105K	CHIP C 1.0UF K	KK1K2
CN1		*	E41-3153-05	FLAT CABLE CONNECTOR	KK1K2
J1		*	E68-0826-05	JACK(OTHERS)	KK1K2
R1			RK73GB2A103J	CHIP R 10K J 1/10W	KK1K2
R2			RK73GB2A224J	CHIP R 220K J 1/10W	KK1K2
R4			RK73GB2A000J	CHIP R 0.0 J 1/10W	KK1K2
D1			MC2850-T111	DIODE	KK1K2
Q1			RTQ025P02	FET	KK1K2
CONTROL CIRCUIT UNIT(X29-4560-1x)					
C101,102			CK73FB1C105K	CHIP C 1.0UF K	
C103			CK73FB1C106K	CHIP C 10UF K	
C104			CK73GB1H103K	CHIP C 0.010UF K	
C111,112			CE32BJ1C100M	CHIP EL 10UF 16WV	
C113,114			CK73GB1H102K	CHIP C 1000PF K	
C151			CK73GB1H104K	CHIP C 0.10UF K	
C161			CK73GB1H104K	CHIP C 0.10UF K	
C171		*	CD04BP0J331M	ELECTRO 330UF 6.3WV	
C172			CK73GB1H104K	CHIP C 0.10UF K	
C199			CK73FB0J106K	CHIP C 10UF K	K1K2
C201,202			CK73FB1C105K	CHIP C 1.0UF K	KK3R1
C203			CK73FB1C106K	CHIP C 10UF K	KK3R1
C204			CK73GB1H103K	CHIP C 0.010UF K	KK3R1
C251			CK73GB1H104K	CHIP C 0.10UF K	
C299			CK73FB0J106K	CHIP C 10UF K	KK3R1
C301			CK73GB1H103K	CHIP C 0.010UF K	
C302			CK73GB1H473K	CHIP C 0.047UF K	
C303,304			CK73GB1H103K	CHIP C 0.010UF K	
C305			CK73GB1H102K	CHIP C 1000PF K	
C306,307			CK73GB1H103K	CHIP C 0.010UF K	
C308			CK73GB1C104K	CHIP C 0.10UF K	
C309,310			CK73GB1A105K	CHIP C 1.0UF K	
C401			CK73GB1H473K	CHIP C 0.047UF K	
C402			CK73EB1E105K	CHIP C 1.0UF K	
C421			CK73GB1H473K	CHIP C 0.047UF K	
C422			CK73EB1E105K	CHIP C 1.0UF K	
C453			CC73GCH1H101J	CHIP C 100PF J	
C454			CK73GB1H104K	CHIP C 0.10UF K	
C501-503			CK73GB1A105K	CHIP C 1.0UF K	
C526			CK73GB1H104K	CHIP C 0.10UF K	

K: DNX9960 K1: DNX7160 K2: DNX7020EX K3: DDX896 (North America)
R1: DDX8046BT (Latin America)

▲ indicates safety critical components.

PARTS LIST

CONTROL CIRCUIT UNIT(X29-4560-1x)

Ref.No.	A d d	N e w	Parts No.	Description	Dest inati on	Ref.No.	A d d	N e w	Parts No.	Description	Dest inati on
C528			CK73GB1H104K	CHIP C 0.10UF K		R317			RK73GB2A473J	CHIP R 47K J 1/10W	
C531,532			CK73GB1H103K	CHIP C 0.010UF K		R318			RK73GB2A682J	CHIP R 6.8K J 1/10W	
C599			CK73GB1H102K	CHIP C 1000PF K		R319			RK73GB2A104J	CHIP R 100K J 1/10W	
C601			CK73GB1H103K	CHIP C 0.010UF K		R320			RK73GB2A473J	CHIP R 47K J 1/10W	
CN1			E41-2980-05	FLAT CABLE CONNECTOR		R321			RK73GB2A222J	CHIP R 2.2K J 1/10W	
CN2			E40-6469-05	PIN ASSY		R322			RK73GB2A101J	CHIP R 100 J 1/10W	
CN101			E41-2959-05	PIN ASSY		R401			RK73GB2A472J	CHIP R 4.7K J 1/10W	
J401			E58-1067-05	RECTANGULAR RECEPTACLE		R402			RK73GB2A473J	CHIP R 47K J 1/10W	
J501			E58-1034-05	RECTANGULAR RECEPTACLE		R403			RK73EB2E152J	CHIP R 1.5K J 1/4W	
WH1	2C		E39-0985-15	WIRING HARNESS		R404			RK73GB2A473J	CHIP R 47K J 1/10W	
R1			RK73GB2A105J	CHIP R 1.0M J 1/10W		R405			RK73GB2A621J	CHIP R 620 J 1/10W	
R101,102			RK73EB2E332J	CHIP R 3.3K J 1/4W		R406			RK73GB2A242J	CHIP R 2.4K J 1/10W	
R103,104			RK73GB2A103J	CHIP R 10K J 1/10W		R407,408			RK73PB2H2R0J	CHIP R 2.0 J 1/2W	
R105,106			RK73GB2A123J	CHIP R 12K J 1/10W		R409			RK73GB2A124J	CHIP R 120K J 1/10W	
R107			RK73EB2E162J	CHIP R 1.6K J 1/4W		R410			RK73GB2A103J	CHIP R 10K J 1/10W	
R108			RK73EB2E102J	CHIP R 1.0K J 1/4W		R411			RK73GB2A473J	CHIP R 47K J 1/10W	
R111,112			RK73GB2A471J	CHIP R 470 J 1/10W		R412			RK73FB2B472J	CHIP R 4.7K J 1/8W	
R115,116			RK73GB2A223J	CHIP R 22K J 1/10W		R421			RK73GB2A472J	CHIP R 4.7K J 1/10W	
R117,118			RK73FB2B101J	CHIP R 100 J 1/8W		R422			RK73GB2A473J	CHIP R 47K J 1/10W	
R121-123			RK73GB2A100J	CHIP R 10 J 1/10W		R423			RK73EB2E152J	CHIP R 1.5K J 1/4W	
R151			RK73EB2E100J	CHIP R 10 J 1/4W		R424			RK73GB2A473J	CHIP R 47K J 1/10W	
R152			RK73GH2A750D	CHIP R 75 D 1/10W		R425			RK73GB2A621J	CHIP R 620 J 1/10W	
R154,155			RK73FB2B000J	CHIP R 0.0 J 1/8W		R426			RK73GB2A242J	CHIP R 2.4K J 1/10W	
R156			RK73FB2B100J	CHIP R 10 J 1/8W		R427,428			RK73PB2H2R0J	CHIP R 2.0 J 1/2W	
R161			RK73EB2E100J	CHIP R 10 J 1/4W		R429			RK73GB2A124J	CHIP R 120K J 1/10W	
R162			RK73GB2A750J	CHIP R 75 J 1/10W		R430			RK73GB2A103J	CHIP R 10K J 1/10W	
R164			RK73FB2B000J	CHIP R 0.0 J 1/8W		R431			RK73GB2A473J	CHIP R 47K J 1/10W	
R166			RK73FB2B100J	CHIP R 10 J 1/8W		R432			RK73FB2B472J	CHIP R 4.7K J 1/8W	
R171			RK73EB2E750J	CHIP R 75 J 1/4W		R431			RK73EB2E182J	CHIP R 1.8K J 1/4W	
R173			RK73FB2B000J	CHIP R 0.0 J 1/8W		R451			RK73EB2E111J	CHIP R 110 J 1/4W	
R201,202			RK73EB2E332J	CHIP R 3.3K J 1/4W	KK3R1	R453			RK73GB2A243J	CHIP R 24K J 1/10W	
R203,204			RK73GB2A103J	CHIP R 10K J 1/10W	KK3R1	R454			RK73GB2A103J	CHIP R 10K J 1/10W	
R205,206			RK73GB2A123J	CHIP R 12K J 1/10W	KK3R1	R455,456			RK73GB2A472J	CHIP R 4.7K J 1/10W	
R207			RK73EB2E162J	CHIP R 1.6K J 1/4W	KK3R1	R457			RK73GB2A103J	CHIP R 10K J 1/10W	
R208			RK73EB2E102J	CHIP R 1.0K J 1/4W	KK3R1	R458			RK73GB2A472J	CHIP R 4.7K J 1/10W	
R221-223			RK73GB2A100J	CHIP R 10 J 1/10W	KK3R1	R459,460			RK73GB2A473J	CHIP R 47K J 1/10W	
R251			RK73EB2E100J	CHIP R 10 J 1/4W	KK3R1	R461			RK73GB2A223J	CHIP R 22K J 1/10W	
R252			RK73GB2A750J	CHIP R 75 J 1/10W	KK3R1	R501,502			RK73EB2E200J	CHIP R 20 J 1/4W	
R254,255			RK73FB2B000J	CHIP R 0.0 J 1/8W		R503,504			RK73GB2A100J	CHIP R 10 J 1/10W	
R256			RK73FB2B100J	CHIP R 10 J 1/8W		R505			RK73EB2E100J	CHIP R 10 J 1/4W	
R301,302			RK73GB2A303J	CHIP R 30K J 1/10W		R506			RK73GB2A100J	CHIP R 10 J 1/10W	
R303			RK73GB2A272J	CHIP R 2.7K J 1/10W		R511			RK73EB2E100J	CHIP R 10 J 1/4W	
R304			RK73GB2A000J	CHIP R 0.0 J 1/10W		R512			RK73GB2A000J	CHIP R 0.0 J 1/10W	
R305			RK73GH2A333D	CHIP R 33K D 1/10W		R513			RK73GB2A750J	CHIP R 75 J 1/10W	
R306			RK73GH2A222D	CHIP R 2.2K D 1/10W		R521			RK73EB2E102J	CHIP R 1.0K J 1/4W	
R307			RK73GH2A153D	CHIP R 15K D 1/10W		R522			RK73EB2E241J	CHIP R 240 J 1/4W	
R308			RK73GB2A302J	CHIP R 3.0K J 1/10W		R523-525			RK73EB2E101J	CHIP R 100 J 1/4W	
R309			RK73GB2A623J	CHIP R 62K J 1/10W		R526			RK73EB2E102J	CHIP R 1.0K J 1/4W	
R310			RK73GB2A222J	CHIP R 2.2K J 1/10W		R527			RK73EB2E101J	CHIP R 100 J 1/4W	
R311			RK73GB2A000J	CHIP R 0.0 J 1/10W		R528			RK73EB2E102J	CHIP R 1.0K J 1/4W	
R312,313			RK73GB2A473J	CHIP R 47K J 1/10W		R601			RK73GB2A101J	CHIP R 100 J 1/10W	
R314			RK73GB2A222J	CHIP R 2.2K J 1/10W		D100		*	MC2846-T111	DIODE	
R315			RK73GB2A682J	CHIP R 6.8K J 1/10W		D104			RKZ6.2KG(B2)	ZENER DIODE	
R316			RK73GB2A104J	CHIP R 100K J 1/10W		D105,106			RKZ8.2KG(B2)	ZENER DIODE	

K: DNX9960 K1: DNX7160 K2: DNX7020EX K3: DDX896 (North America)

R1: DDX8046BT (Latin America)

▲ indicates safety critical components.

PARTS LIST

CONTROL CIRCUIT UNIT(X29-4560-1x)

Ref.No.	A d d	N e w	Parts No.	Description	Dest inati on	Ref.No.	A d d	N e w	Parts No.	Description	Dest inati on
D111,112			CVS10A180M	VARISTOR		C27 ,28			CC73HCH1H150J	CHIP C 15PF J	
D115			MC2850-T111	DIODE		C29			CK73HBOJ105K	CHIP C 1.0UF K	
D151			CVL10C270M300	VARISTOR		C31			CK73HB1E103K	CHIP C 0.010UF K	
D152			CVS10A120M	VARISTOR		C32			CK73HBOJ105K	CHIP C 1.0UF K	
D153,154			RKZ6.2KG(B2)	ZENER DIODE		C33			CE32BM1C100M	CHIP EL 10UF 16WV	
D161			CVL10C270M300	VARISTOR		C34			CE32CL1C100M	CHIP EL 10UF 16WV	
D162			CVS10A120M	VARISTOR		C35 ,36			CC73HCH1H101J	CHIP C 100PF J	
D163,164			RKZ6.2KG(B2)	ZENER DIODE		C37			CK73HB1H222K	CHIP C 2200PF K	
D172			CVL10C270M300	VARISTOR		C39			CK73HB1E103K	CHIP C 0.010UF K	
D173,174			RKZ6.2KG(B2)	ZENER DIODE		C40			CK73HBOJ105K	CHIP C 1.0UF K	
D204			RKZ6.2KG(B2)	ZENER DIODE	KK3R1	C41			CK73FB1H334K	CHIP C 0.33UF K	
D205,206			RKZ8.2KG(B2)	ZENER DIODE	KK3R1	C42			CK73HB1E103K	CHIP C 0.010UF K	
D251			CVL10C270M300	VARISTOR	KK3R1	C43			CK73GB1A105K	CHIP C 1.0UF K	
D252			CVS10A120M	VARISTOR	KK3R1	C44			CE32BM1C221M	CHIP EL 220UF 16WV	
D253,254			RKZ6.2KG(B2)	ZENER DIODE	KK3R1	C45		*	CE32BM1V150M	CHIP EL 15UF 35WV	
D301			MC2850-T111	DIODE		C46			CK73GB1H104K	CHIP C 0.10UF K	
D401,402			1SR154-400	DIODE		C47			CE32BM1C220M	CHIP EL 22UF 16WV	
D421,422			1SR154-400	DIODE		C48			CK73HB1E103K	CHIP C 0.010UF K	
D451			HSU119TRF-E	DIODE		C51			CK73FB1H334K	CHIP C 0.33UF K	
D455			CVL10C270M300	VARISTOR		C52			CK73HB1E103K	CHIP C 0.010UF K	
D501,502			RKZ6.8KG(B2)	ZENER DIODE		C53			CK73GB1A105K	CHIP C 1.0UF K	
D503			RKZ6.2KG(B2)	ZENER DIODE		C54			CE32BM1C101M	CHIP EL 100UF 16WV	
D511,512			RKZ6.2KG(B2)	ZENER DIODE		C61		*	CE32BM1V150M	CHIP EL 15UF 35WV	
D513			CVS10A120M	VARISTOR		C62			CK73GB1H104K	CHIP C 0.10UF K	
D514			CVL10C270M300	VARISTOR		C63			CE32BM1C101M	CHIP EL 100UF 16WV	
D521-527			RKZ6.2KG(B2)	ZENER DIODE		C64			CK73HB1E103K	CHIP C 0.010UF K	
D528			CVS10A120M	VARISTOR		C71			CK73FB1C106K	CHIP C 10UF K	KK3R1
IC301			R1114N331B-TR	ANALOGUE IC (3.3V LF)		C72			CE32BM1C101M	CHIP EL 100UF 16WV	KK3R1
IC601			TC7SET08FU-F	MOS-IC		C73 -75			CK73EB1E225K	CHIP C 2.2UF K	KK3R1
Q111,112			RT1N430M-T111	TRANSISTOR		C76			CK73FB1C106K	CHIP C 10UF K	KK3R1
Q113			RT1P441M-T111	TRANSISTOR		C77			CK73EB1E225K	CHIP C 2.2UF K	KK3R1
Q301-305			2SC4081	TRANSISTOR		C78			CK73GB1H223K	CHIP C 0.022UF K	KK3R1
Q306			2SA1576A	TRANSISTOR		C79			CK73HB1E103K	CHIP C 0.010UF K	KK3R1
Q307			2SC4081	TRANSISTOR		C80 ,81			CE32BM1C100M	CHIP EL 10UF 16WV	KK3R1
Q308			2SA1576A	TRANSISTOR		C91			CK73GB1H103K	CHIP C 0.010UF K	KK3R1
Q401		*	RT1N140M-T111	TRANSISTOR		C101			CK73FB1E474K	CHIP C 0.47UF K	
Q402			2SC4154T1(E,F)	TRANSISTOR		C111			CK73FB1A335K	CHIP C 3.3UF K	
Q403			2SB1443	TRANSISTOR		C112			CK73FB1C105K	CHIP C 1.0UF K	
Q404			ISA1602AM1(F)	TRANSISTOR		C113			CK73GB1H104K	CHIP C 0.10UF K	
Q405,406			2SC4154T1(E,F)	TRANSISTOR		C131			CK73HBOJ105K	CHIP C 1.0UF K	
Q421		*	RT1N140M-T111	TRANSISTOR		C132			CK73HB1E103K	CHIP C 0.010UF K	
Q422			2SC4154T1(E,F)	TRANSISTOR		C141			CK73HB1E103K	CHIP C 0.010UF K	
Q423			2SB1443	TRANSISTOR		C161			CK73FB1C105K	CHIP C 1.0UF K	
Q424			ISA1602AM1(F)	TRANSISTOR		C171			CK73HBOJ105K	CHIP C 1.0UF K	
Q425,426			2SC4154T1(E,F)	TRANSISTOR		C172			CK73HB1E103K	CHIP C 0.010UF K	
Q451			2SC4154T1(E,F)	TRANSISTOR		C201			CC73HCH1H150J	CHIP C 15PF J	
Q452,453			ISA1602AM1(F)	TRANSISTOR		C203			CK73FB1C106K	CHIP C 10UF K	
Q454			2SC4154T1(E,F)	TRANSISTOR		C204			CK73HB1A104K	CHIP C 0.10UF K	
ELECTRIC UNIT(X34-6710-1x)						C205			CK73HB1E103K	CHIP C 0.010UF K	
C1			C90-6866-05	ELECTRO 6800UF 16WV		C207			CK73FB0J226M	CHIP C 22UF M	
C2 ,3			CK73GB1H103K	CHIP C 0.010UF K		C208			CK73HB1E103K	CHIP C 0.010UF K	
C5 -8			C90-6779-05	ELECTRO 0.47UF 16WV		C209			CK73FB1C106K	CHIP C 10UF K	
C9 -24			CC73HCH1H150J	CHIP C 15PF J		C210			CK73HB1A104K	CHIP C 0.10UF K	
C25 ,26			C90-6780-05	ELECTRO 1UF 16WV		C211			CK73HB1E103K	CHIP C 0.010UF K	
						C212			CK73HB1A104K	CHIP C 0.10UF K	

K: DNX9960 **K1:** DNX7160 **K2:** DNX7020EX **K3:** DDX896 (North America)
R1: DDX8046BT (Latin America)

indicates safety critical components.

PARTS LIST

ELECTRIC UNIT(X34-6710-1x)

Ref.No.	A d d	N e w	Parts No.	Description	Dest inati on	Ref.No.	A d d	N e w	Parts No.	Description	Dest inati on
C213			CK73HB1E103K	CHIP C 0.010UF K		C405-410			CK73GB1A474K	CHIP C 0.47UF K	K1K2
C214			CK73HB1H102K	CHIP C 1000PF K		C411			CK73FB1C106K	CHIP C 10UF K	
C217			CK73FB1C106K	CHIP C 10UF K		C412,413	*		CE32CL1H010M	CHIP EL 1.0UF 50WV	
C251			CK73GB0J106M	CHIP C 10UF M		C414,415			CK73FB1C106K	CHIP C 10UF K	
C252			CK73HB1E103K	CHIP C 0.010UF K		C471-473			CK73GB1A474K	CHIP C 0.47UF K	
C253,254			CC73HCH1H150J	CHIP C 15PF J		C474			CK73HB1A104K	CHIP C 0.10UF K	
C255			CK73GB0J106M	CHIP C 10UF M		C501-503			CK73GB1H102K	CHIP C 1000PF K	
C256			CC73GCH1H331J	CHIP C 330PF J		C521,522			CK73GB0J475K	CHIP C 4.7UF K	
C261,262			CC73GCH1H560J	CHIP C 56PF J	KK1K2	C523			CK73GB0J106M	CHIP C 10UF M	
C263			CC73GCH1H030C	CHIP C 3.0PF C	KK1K2	C524			CK73HB1A104K	CHIP C 0.10UF K	
C264			CC73GCH1H102J	CHIP C 1000PF J	KK1K2	C525,526			CK73GB1H102K	CHIP C 1000PF K	
C265			CC73GCH1H221J	CHIP C 220PF J	KK1K2	C561			CK73HB1A104K	CHIP C 0.10UF K	
C266			CC73GCH1H102J	CHIP C 1000PF J	KK1K2	C562,563			CK73FB1C106K	CHIP C 10UF K	
C267			CK73FB1C105K	CHIP C 1.0UF K	KK1K2	C564			CK73HB1E103K	CHIP C 0.010UF K	
C268			CC73GCH1H102J	CHIP C 1000PF J	KK1K2	C565,566			CK73GB1C104K	CHIP C 0.10UF K	
C269			CK73GB1H102K	CHIP C 1000PF K	KK1K2	C567,568			CK73GB1H103K	CHIP C 0.010UF K	
C270			CC73GCH1H102J	CHIP C 1000PF J	KK1K2	C571			CK73GB0J475K	CHIP C 4.7UF K	
C271			CC73GCH1H120J	CHIP C 12PF J	KK1K2	C572			CK73GB1H104K	CHIP C 0.10UF K	
C272			CC73GCH1H020C	CHIP C 2.0PF C	KK1K2	C574			CK73GB1C104K	CHIP C 0.10UF K	
C273			CC73GCH1H390J	CHIP C 39PF J	KK1K2	C575-577			CK73GB1A474K	CHIP C 0.47UF K	
C274			CC73GCH1H180J	CHIP C 18PF J	KK1K2	C578			CK73GB1H103K	CHIP C 0.010UF K	
C275			CC73GCH1H150J	CHIP C 15PF J	KK1K2	C601-604			CC73GCH1H101J	CHIP C 100PF J	
C276			CC73GCH1H180J	CHIP C 18PF J	KK1K2	C605-608			CC73GCH1H221J	CHIP C 220PF J	
C277			CC73GCH1H070D	CHIP C 7.0PF D	KK1K2	C609			CK73GB1H222K	CHIP C 2200PF K	
C300			CE32CL1C470M	CHIP EL 47UF 16WV		C610-612			CC73GCH1H221J	CHIP C 220PF J	
C301,302			CK73GB1A474K	CHIP C 0.47UF K		C613-619			CK73GB1H222K	CHIP C 2200PF K	
C303,304			CK73GB1A105K	CHIP C 1.0UF K		C620			CC73GCH1H221J	CHIP C 220PF J	
C305			CK73HB0J105K	CHIP C 1.0UF K		C622			CC73HCH1H220J	CHIP C 22PF J	
C307,308			CK73FB1A335K	CHIP C 3.3UF K		C625			CK73HB1A104K	CHIP C 0.10UF K	
C309			CK73GB1A105K	CHIP C 1.0UF K		C626			CK73HB1E103K	CHIP C 0.010UF K	
C310			CK73HB1E103K	CHIP C 0.010UF K		C627			CK73HB1A104K	CHIP C 0.10UF K	KK3R1
C311-316			CC73HCH1H070D	CHIP C 7.0PF D		C628			CK73HB1E103K	CHIP C 0.010UF K	KK3R1
C317			CK73GB1A474K	CHIP C 0.47UF K		C629			CK73HB1A104K	CHIP C 0.10UF K	
C318			CK73FB1C106K	CHIP C 10UF K		C630			CK73HB1E103K	CHIP C 0.010UF K	
C319			CK73GB1A474K	CHIP C 0.47UF K		C631			CK73GB1H104K	CHIP C 0.10UF K	
C320			CE32CL1C100M	CHIP EL 10UF 16WV		C632			CK73GB1H103K	CHIP C 0.010UF K	
C321-326			CK73GB1A474K	CHIP C 0.47UF K		C633			CK73GB1H104K	CHIP C 0.10UF K	
C327,328			CK73GB0J475K	CHIP C 4.7UF K		C634			CK73GB1H103K	CHIP C 0.010UF K	
C329-332			CC73HCH1H470J	CHIP C 47PF J		C635			CC73HCH1H270J	CHIP C 27PF J	
C333-336			CC73HCH1H221J	CHIP C 220PF J		C636			CC73HCH1H220J	CHIP C 22PF J	
C339			CK73GB1A105K	CHIP C 1.0UF K		C637			CC73HCH1H180J	CHIP C 18PF J	
C341,342			CE32CL1C100M	CHIP EL 10UF 16WV		C639,640			CC73HCH1H150J	CHIP C 15PF J	
C343,344			CK73HB1H102K	CHIP C 1000PF K		C641			CK73HB1E103K	CHIP C 0.010UF K	
C351,352			CE32CL1C100M	CHIP EL 10UF 16WV		C642			CC73HCH1H102J	CHIP C 1000PF J	
C353,354			CK73HB1H102K	CHIP C 1000PF K		C645-649			CC73HCH1H150J	CHIP C 15PF J	
C361,362			CK73EB1C106K	CHIP C 10UF K		C652			CC73HCH1H470J	CHIP C 47PF J	
C363,364			CK73HB1H102K	CHIP C 1000PF K		C653-655			CK73GB1H102K	CHIP C 1000PF K	K1K2
C371,372			CE32CL1C100M	CHIP EL 10UF 16WV	KK3R1	C701-706			CK73HB1H222K	CHIP C 2200PF K	K1K2
C381,382			CE32CL1C100M	CHIP EL 10UF 16WV	KK3R1	C707,708			CK73GB1A105K	CHIP C 1.0UF K	K1K2
C391,392			CK73EB1C106K	CHIP C 10UF K	KK3R1	C711			CK73GB0J106M	CHIP C 10UF M	K1K2
C401		*	CE32CL1H010M	CHIP EL 1.0UF 50WV		C712			CK73HB1A104K	CHIP C 0.10UF K	K1K2
C402			CK73HB1A104K	CHIP C 0.10UF K		C713			CK73GB0J225K	CHIP C 2.2UF K	K1K2
C403			CK73FB0J226M	CHIP C 22UF M		C714			CK73HB1A104K	CHIP C 0.10UF K	K1K2
C404			CK73HB1A104K	CHIP C 0.10UF K		C715			CE32CL1C100M	CHIP EL 10UF 16WV	K1K2
C405-407			CK73GB1A474K	CHIP C 0.47UF K	KK3R1	C716			CK73HB1A104K	CHIP C 0.10UF K	K1K2

K: DNX9960 K1: DNX7160 K2: DNX7020EX K3: DDX896 (North America)
R1: DDX8046BT (Latin America)

⚠ indicates safety critical components.

PARTS LIST

ELECTRIC UNIT(X34-6710-1x)

Ref.No.	A d w	N e w	Parts No.	Description	Dest inati on	Ref.No.	A d w	N e w	Parts No.	Description	Dest inati on
C717			CC73HCH1H150J	CHIP C 15PF J	KK3R1	C869			CK73HB1A104K	CHIP C 0.10UF K	KK3R1
C717			CK73HB1E103K	CHIP C 0.010UF K	K1K2	C870			CK73HB1E103K	CHIP C 0.010UF K	KK3R1
C718			CK73GB0J106M	CHIP C 10UF M	K1K2	C871			CK73HB1A104K	CHIP C 0.10UF K	KK3R1
C719			CK73HB1A104K	CHIP C 0.10UF K	K1K2	C872			CK73GB0J106M	CHIP C 10UF M	KK3R1
C720			CC73HCH1H150J	CHIP C 15PF J	KK3R1	C873			CK73HB1A104K	CHIP C 0.10UF K	KK3R1
C720			CK73HB1E103K	CHIP C 0.010UF K	K1K2	C874			CK73HB1E103K	CHIP C 0.010UF K	KK3R1
C721			CK73GB1A105K	CHIP C 1.0UF K	K1K2	C875			CK73HB1A104K	CHIP C 0.10UF K	KK3R1
C731,732			CC73HCH1H100D	CHIP C 10PF D	K1K2	C876			CK73HB1E103K	CHIP C 0.010UF K	KK3R1
C741-746			CK73GB1A105K	CHIP C 1.0UF K	K1K2	C877			CK73HB1A104K	CHIP C 0.10UF K	KK3R1
C748			CC73HCH1H150J	CHIP C 15PF J	K1K2	C878			CK73HB1E103K	CHIP C 0.010UF K	KK3R1
C751-754			CE32CL1C100M	CHIP EL 10UF 16WV	KK3R1	C879			CK73HB1A104K	CHIP C 0.10UF K	KK3R1
C755,756			CC73HCH1H681J	CHIP C 680PF J	KK3R1	C880,881			CK73HB1E103K	CHIP C 0.010UF K	KK3R1
C757-760			CC73HCH1H561J	CHIP C 560PF J	KK3R1	C882			CK73HB1A104K	CHIP C 0.10UF K	KK3R1
C771,772			CE32CL1C100M	CHIP EL 10UF 16WV	KK3R1	C884			CK73GB1A105K	CHIP C 1.0UF K	KK3R1
C773,774			CK73HB1H152K	CHIP C 1500PF K	KK3R1	C885,886			CK73HB1A104K	CHIP C 0.10UF K	KK3R1
C775,776			CC73HCH1H561J	CHIP C 560PF J	KK3R1	C887			CE32CL1C100M	CHIP EL 10UF 16WV	KK3R1
C781,782			CK73EB1C106K	CHIP C 10UF K	KK3R1	C888			CK73HB1A104K	CHIP C 0.10UF K	KK3R1
C783			CC73HCH1H102J	CHIP C 1000PF J	KK3R1	C889			CK73HB1H102K	CHIP C 1000PF K	KK3R1
C784			CK73HB1H152K	CHIP C 1500PF K	KK3R1	C890			CE32CL1C100M	CHIP EL 10UF 16WV	KK3R1
C785			CC73HCH1H181J	CHIP C 180PF J	KK3R1	C891			CK73HB1A104K	CHIP C 0.10UF K	KK3R1
C786			CC73HCH1H561J	CHIP C 560PF J	KK3R1	C892			CK73HB1H102K	CHIP C 1000PF K	KK3R1
C791-794			CC73HCH1H150J	CHIP C 15PF J	K1K2	C893			CK73HBOJ105K	CHIP C 1.0UF K	KK3R1
C796			CC73HCH1H150J	CHIP C 15PF J	K1K2	C894			CK73HB1A104K	CHIP C 0.10UF K	KK3R1
C801,802			CK73EB1C106K	CHIP C 10UF K	KK3R1	C895			CK73HB1H102K	CHIP C 1000PF K	KK3R1
C803			CK73HB1A104K	CHIP C 0.10UF K	KK3R1	C896			CK73HB1A104K	CHIP C 0.10UF K	KK3R1
C805			CK73HB1A104K	CHIP C 0.10UF K	KK3R1	C897			CK73HB1H102K	CHIP C 1000PF K	KK3R1
C818			CC73HCH1H390J	CHIP C 39PF J	KK3R1	C898			CK73HB1A104K	CHIP C 0.10UF K	KK3R1
C822,823			CK73HB1H102K	CHIP C 1000PF K	KK3R1	C899			CK73HB1H102K	CHIP C 1000PF K	KK3R1
C830,831			CC73HCH1H150J	CHIP C 15PF J	KK3R1	C930			CC73HCH1H150J	CHIP C 15PF J	KK3R1
C836			CK73HB1E103K	CHIP C 0.010UF K	KK3R1	CN1			E41-2958-05	PIN ASSY	
C837			CK73HB1A104K	CHIP C 0.10UF K	KK3R1	CN101,102			E41-2980-05	FLAT CABLE CONNECTOR	
C838			CK73HB1H102K	CHIP C 1000PF K	KK3R1	CN201			E41-2237-05	FLAT CABLE CONNECTOR	
C839			CK73HB1E103K	CHIP C 0.010UF K	KK3R1	CN202			E40-6470-05	PIN ASSY	
C841,842			CK73GB1A105K	CHIP C 1.0UF K	KK3R1	CN301			E41-2964-05	PIN ASSY	
C843			CK73HB1E103K	CHIP C 0.010UF K	KK3R1	J1			E58-1043-05	RECTANGULAR RECEPTACLE	
C844			CK73GB1H102K	CHIP C 1000PF K	KK3R1	J501			E11-0625-05	PHONE JACK (IPOD-A)	
C845			CK73GB0J106M	CHIP C 10UF M	KK3R1	J521			E11-0656-05	PHONE JACK (IPOD-V)	
C851			CK73HB1A104K	CHIP C 0.10UF K	KK3R1	J541			E11-0665-05	PHONE JACK (PTT-SW)	K
C852			CK73HBOJ105K	CHIP C 1.0UF K	KK3R1	J571			E58-1097-05	RECTANGULAR RECEPTACLE	
C853			CK73HB1E103K	CHIP C 0.010UF K	KK3R1	W201	2C		E30-6883-05	CORD WITH PLUG (FM/AM)	
C854			CK73HB1A104K	CHIP C 0.10UF K	KK3R1	W261	3D	*	E30-6945-05	CORD WITH PLUG (TMC)	KK1K2
C855			CK73HBOJ105K	CHIP C 1.0UF K	KK3R1	F571			F53-0306-05	FUSE(UL,CSA) 5A	
C856			CK73GB0J106M	CHIP C 10UF M	KK3R1	L1			L33-2436-05	CHOKE COIL ASSY	
C857			CK73HB1A104K	CHIP C 0.10UF K	KK3R1	L71			L41-2205-33	SMALL FIXED INDUCTOR(22U)	KK3R1
C858			CK73HB1E103K	CHIP C 0.010UF K	KK3R1	L202-204			L41-4795-33	SMALL FIXED INDUCTOR(4.7U)	
C859			CK73HB1A104K	CHIP C 0.10UF K	KK3R1	L261			L41-1888-18	SMALL FIXED INDUCTOR(0.18U)	KK1K2
C860			CK73HB1E103K	CHIP C 0.010UF K	KK3R1	L262			L19-0825-05	BALUN TRANSFORMER	KK1K2
C861			CK73HB1A104K	CHIP C 0.10UF K	KK3R1	L263			L92-0329-05	CHIP FERRITE	KK1K2
C862			CK73HB1E103K	CHIP C 0.010UF K	KK3R1	L264-266			L41-1588-18	SMALL FIXED INDUCTOR	KK1K2
C863			CK73HB1A104K	CHIP C 0.10UF K	KK3R1	L267			L41-1805-33	SMALL FIXED INDUCTOR(18U)	KK1K2
C864			CK73HB1E103K	CHIP C 0.010UF K	KK3R1	L268			L41-2705-33	SMALL FIXED INDUCTOR(27U)	KK1K2
C865			CK73HB1A104K	CHIP C 0.10UF K	KK3R1	L521			L41-4795-33	SMALL FIXED INDUCTOR(4.7U)	KK1K2
C866			CK73HB1E103K	CHIP C 0.010UF K	KK3R1	L571			L92-0329-05	CHIP FERRITE	
C867			CK73HB1A104K	CHIP C 0.10UF K	KK3R1						
C868			CK73HB1E103K	CHIP C 0.010UF K	KK3R1						

K: DNX9960 K1: DNX7160 K2: DNX7020EX K3: DDX896 (North America)
R1: DDX8046BT (Latin America)


⚠ indicates safety critical components.

PARTS LIST

ELECTRIC UNIT(X34-6710-1x)

Ref.No.	A d w	N e w	Parts No.	Description	Dest inati on	Ref.No.	A d w	N e w	Parts No.	Description	Dest inati on
L800			L92-0329-05	CHIP FERRITE	K3R1	R75			RK73HB1J470J	CHIP R 47 J 1/16W	KK3R1
L801			L41-1001-28	SMALL FIXED INDUCTOR(10U)	KK3R1	R76			RK73HB1J752J	CHIP R 7.5K J 1/16W	KK3R1
L802			L92-0329-05	CHIP FERRITE	KK3R1	R77			RK73HB1J274J	CHIP R 270K J 1/16W	KK3R1
X251			L77-3811-05	CRYSTAL RESONATOR(4.332MHZ)		R78			RK73HB1J563J	CHIP R 56K J 1/16W	KK3R1
X701			L77-3810-05	CRYSTAL RESONATOR(11.2896MHZ)	K1K2	R79			RK73HB1J470J	CHIP R 47 J 1/16W	KK3R1
X801			L77-3810-05	CRYSTAL RESONATOR(11.2896MHZ)	KK3R1	R80			RK73HB1J103J	CHIP R 10K J 1/16W	KK3R1
Q	2C		N35-2604-43	BINDING HEAD MACHINE SCREW		R81 ,82			RK73HB1J913J	CHIP R 91K J 1/16W	KK3R1
R5 -8		*	RK73HB1J680JH	CHIP R 68 J 1/16W		R83			RK73HB1J473J	CHIP R 47K J 1/16W	KK3R1
R9			RK73HB1J473J	CHIP R 47K J 1/16W		R91			RK73GB2A223J	CHIP R 22K J 1/10W	
R10		*	RK73HB1J220JH	CHIP R 22 J 1/16W		R92			RK73GB2A222J	CHIP R 2.2K J 1/10W	
R11		*	RK73GB2A240JH	CHIP R 24 J 1/10W		R93			RK73GB2A223J	CHIP R 22K J 1/10W	
R13			RK73HB1J123J	CHIP R 12K J 1/16W		R94			RK73GB2A103J	CHIP R 10K J 1/10W	
R14			RK73HB1J221J	CHIP R 220 J 1/16W		R102			RK73EB2E153J	CHIP R 15K J 1/4W	
R15			RK73HB1J473J	CHIP R 47K J 1/16W		R103,104			RK73EB2E622J	CHIP R 6.2K J 1/4W	
R16			RK73HB1J682J	CHIP R 6.8K J 1/16W		R105			RK73HB1J912J	CHIP R 9.1K J 1/16W	
R17			RK73GH2A622D	CHIP R 6.2K D 1/10W		R111			RK73FB2B472J	CHIP R 4.7K J 1/8W	
R18 ,19			RK73EB2E271J	CHIP R 270 J 1/4W		R112			RK73GB2A223J	CHIP R 22K J 1/10W	
R20			RK73HB1J471J	CHIP R 470 J 1/16W		R113,114			RK73PB2H102J	CHIP R 1.0K J 1/2W	
R21			RK73HH1J473D	CHIP R 47K D 1/16W		R122			RK73GB2A103J	CHIP R 10K J 1/10W	
R22			RK73HB1J102J	CHIP R 1.0K J 1/16W		R123			RK73HB1J222J	CHIP R 2.2K J 1/16W	
R23			RK73GB2A4R7J	CHIP R 4.7 J 1/10W		R124			RK73FB2B472J	CHIP R 4.7K J 1/8W	
R24			RK73HB1J101J	CHIP R 100 J 1/16W		R125,126			RK73PB2H102J	CHIP R 1.0K J 1/2W	
R25			RK73HB1J471J	CHIP R 470 J 1/16W		R127			RK73HB1J103J	CHIP R 10K J 1/16W	
R26			RK73HB1J122J	CHIP R 1.2K J 1/16W		R132			RK73EB2E272J	CHIP R 2.7K J 1/4W	
R27			RK73HH1J202D	CHIP R 2.0K D 1/16W		R133			RK73HB1J102J	CHIP R 1.0K J 1/16W	
R28			RK73HH1J302D	CHIP R 3.0K D 1/16W		R141			RK73HB1J104J	CHIP R 100K J 1/16W	
R30 ,31			RK73HH1J473D	CHIP R 47K D 1/16W		R142			RK73HB1J473J	CHIP R 47K J 1/16W	
R32			RK73HH1J432D	CHIP R 4.3K D 1/16W		R143			RK73EB2E103J	CHIP R 10K J 1/4W	
R33			RK73HH1J752D	CHIP R 7.5K D 1/16W		R152			RK73EB2E101J	CHIP R 100 J 1/4W	
R34			RK73HB1J223J	CHIP R 22K J 1/16W		R163			RK73EB2E103J	CHIP R 10K J 1/4W	
R35			RK73HB1J220J	CHIP R 22 J 1/16W		R172			RK73EB2E272J	CHIP R 2.7K J 1/4W	
R36			RK73HB1J223J	CHIP R 22K J 1/16W		R173			RK73HB1J102J	CHIP R 1.0K J 1/16W	
R41			RK73FB2B221J	CHIP R 220 J 1/8W		R200			RK73GB2A000J	CHIP R 0.0 J 1/10W	K3R1
R42			RK73GH2A243D	CHIP R 24K D 1/10W		R201			RK73HB1J100J	CHIP R 10 J 1/16W	
R43			RK73GH2A432D	CHIP R 4.3K D 1/10W		R202			RK73HB1J101J	CHIP R 100 J 1/16W	
R44			R92-5279-05	MG-R 0.47 J 1/4W		R204			RK73HB1J000J	CHIP R 0.0 J 1/16W	
R45			RK73GH2A203D	CHIP R 20K D 1/10W		R205			RK73GB2A223J	CHIP R 22K J 1/10W	
R46			RK73GH2A362D	CHIP R 3.6K D 1/10W		R206			RK73GB2A102J	CHIP R 1.0K J 1/10W	
R47			RK73HB1J223J	CHIP R 22K J 1/16W		R209			RK73FB2B1R0J	CHIP R 1.0 J 1/8W	
R51			RK73FB2B221J	CHIP R 220 J 1/8W		R211			RK73GB2A4R7J	CHIP R 4.7 J 1/10W	
R52			RK73GH2A153D	CHIP R 15K D 1/10W	K1K2	R212			RK73HB1J101J	CHIP R 100 J 1/16W	
R52			RK73GH2A183D	CHIP R 18K D 1/10W	KK3R1	R251			RK73GB2A4R7J	CHIP R 4.7 J 1/10W	
R53			RK73GH2A432D	CHIP R 4.3K D 1/10W	KK3R1	R252-254			RK73HB1J222J	CHIP R 2.2K J 1/16W	
R53			RK73GH2A512D	CHIP R 5.1K D 1/10W	K1K2	R255			RK73HB1J681J	CHIP R 680 J 1/16W	
R58 ,59			RK73FB2B000J	CHIP R 0.0 J 1/8W		R256,257			RK73HB1J000J	CHIP R 0.0 J 1/16W	
R61			R92-5279-05	MG-R 0.47 J 1/4W		R261			RK73GB2A000J	CHIP R 0.0 J 1/10W	KK1K2
R62			RK73GH2A203D	CHIP R 20K D 1/10W		R263			RK73GB2A151J	CHIP R 150 J 1/10W	KK1K2
R63			RK73GH2A362D	CHIP R 3.6K D 1/10W		R264			RK73GB2A100J	CHIP R 10 J 1/10W	KK1K2
R64			RK73HB1J223J	CHIP R 22K J 1/16W		R265			RK73GB2A270J	CHIP R 27 J 1/10W	KK1K2
R71			RK73FB2B152J	CHIP R 1.5K J 1/8W	KK3R1	R266			RK73GB2A431J	CHIP R 430 J 1/10W	KK1K2
R72			RK73HB1J104J	CHIP R 100K J 1/16W	KK3R1	R268			RK73GB2A151J	CHIP R 150 J 1/10W	KK1K2
R73			RK73HB1J750J	CHIP R 75 J 1/16W	KK3R1	R269			RK73GB2A330J	CHIP R 33 J 1/10W	KK1K2
R74			RK73HB1J272J	CHIP R 2.7K J 1/16W	KK3R1	R270,271			RK73GB2A331J	CHIP R 330 J 1/10W	KK1K2
						R272			RK73GB2A330J	CHIP R 33 J 1/10W	KK1K2
						R273			RK73GB2A562J	CHIP R 5.6K J 1/10W	KK1K2

K: DNX9960 K1: DNX7160 K2: DNX7020EX K3: DDX896 (North America)
R1: DDX8046BT (Latin America)


 indicates safety critical components.

PARTS LIST

ELECTRIC UNIT(X34-6710-1x)

Ref.No.	A d d	N e w	Parts No.	Description	Dest inati on	Ref.No.	A d d	N e w	Parts No.	Description	Dest inati on
R274			RK73GB2A332J	CHIP R 3.3K J 1/10W	KK1K2	R504			RK73HB1J202J	CHIP R 2.0K J 1/16W	
R301			RK73EB2E4R7J	CHIP R 4.7 J 1/4W		R505,506			RK73GB2A223J	CHIP R 22K J 1/10W	
R302			RK73HB1J103J	CHIP R 10K J 1/16W		R521,522			RK73EB2E100J	CHIP R 10 J 1/4W	
R303,304			RK73HB1J101J	CHIP R 100 J 1/16W		R523			RK73HB1J620J	CHIP R 62 J 1/16W	
R305			RK73EB2E000J	CHIP R 0.0 J 1/4W		R524			RK73EB2E4R7J	CHIP R 4.7 J 1/4W	
R308			RK73HB1J104J	CHIP R 100K J 1/16W		R525			RK73GB2A000J	CHIP R 0.0 J 1/10W	
R309			RK73HB1J103J	CHIP R 10K J 1/16W		R541			RK73EB2E101J	CHIP R 100 J 1/4W	K
R310			RK73HB1J102J	CHIP R 1.0K J 1/16W		R542			RK73HB1J101J	CHIP R 100 J 1/16W	K
R311-316		*	RK73HB1J680JH	CHIP R 68 J 1/16W		R561			RK73HB1J511J	CHIP R 510 J 1/16W	
R317			RK73GB2A000J	CHIP R 0.0 J 1/10W		R562			RK73HB1J104J	CHIP R 100K J 1/16W	
R319,320		*	RK73HB1J430JH	CHIP R 43 J 1/16W		R564			RK73HB1J562J	CHIP R 5.6K J 1/16W	
R321			RK73HB1J472J	CHIP R 4.7K J 1/16W		R565,566			RK73HB1J103J	CHIP R 10K J 1/16W	
R322		*	RK73HB1J223JH	CHIP R 22K J 1/16W		R571			RK73GB2A823J	CHIP R 82K J 1/10W	
R323		*	RK73HB1J472JH	CHIP R 4.7K J 1/16W		R572			RK73GB2A103J	CHIP R 10K J 1/10W	
R324			RK73HB1J223J	CHIP R 22K J 1/16W		R575			RK73GB2A473J	CHIP R 47K J 1/10W	
R325			RK73HB1J472J	CHIP R 4.7K J 1/16W		R576			RK73HB1J103J	CHIP R 10K J 1/16W	
R326			RK73HB1J223J	CHIP R 22K J 1/16W		R578			RK73HB1J223J	CHIP R 22K J 1/16W	
R327		*	RK73HB1J472JH	CHIP R 4.7K J 1/16W		R579			RK73HB1J473J	CHIP R 47K J 1/16W	
R328		*	RK73HB1J223JH	CHIP R 22K J 1/16W		R580-582			RK73EB2E101J	CHIP R 100 J 1/4W	
R329			RK73HB1J223J	CHIP R 22K J 1/16W		R583,584			RK73EB2E102J	CHIP R 1.0K J 1/4W	
R330		*	RK73HB1J223JH	CHIP R 22K J 1/16W		R585-587			RK73HB1J223J	CHIP R 22K J 1/16W	
R331			RK73HB1J223J	CHIP R 22K J 1/16W		R588			RK73EB2E200J	CHIP R 20 J 1/4W	
R332		*	RK73HB1J223JH	CHIP R 22K J 1/16W		R590			RK73EB2E100J	CHIP R 10 J 1/4W	
R333			RK73HB1J472J	CHIP R 4.7K J 1/16W		R592			RK73EB2E200J	CHIP R 20 J 1/4W	
R334		*	RK73HB1J472JH	CHIP R 4.7K J 1/16W		R602,603			RK73HB1J100J	CHIP R 10 J 1/16W	
R335			RK73HB1J472J	CHIP R 4.7K J 1/16W		R604-609			RK73HB1J000J	CHIP R 0.0 J 1/16W	
R336		*	RK73HB1J472JH	CHIP R 4.7K J 1/16W		R610,611			RK73HB1J100J	CHIP R 10 J 1/16W	
R337,338		*	RK73HB1J680JH	CHIP R 68 J 1/16W		R612,613			RK73HB1J000J	CHIP R 0.0 J 1/16W	
R341,342			RK73HB1J471J	CHIP R 470 J 1/16W		R614-618			RK73HB1J100J	CHIP R 10 J 1/16W	
R343,344			RK73HB1J223J	CHIP R 22K J 1/16W		R621			RK73GB2A000J	CHIP R 0.0 J 1/10W	
R347,348			RK73HB1J100J	CHIP R 10 J 1/16W	K1K2	R645-648			RK73HB1J100J	CHIP R 10 J 1/16W	
R351,352			RK73HB1J471J	CHIP R 470 J 1/16W		R652			RK73HB1J100J	CHIP R 10 J 1/16W	
R353,354			RK73HB1J223J	CHIP R 22K J 1/16W		R701-706			RK73HB1J471J	CHIP R 470 J 1/16W	K1K2
R357,358			RK73HB1J100J	CHIP R 10 J 1/16W	K1K2	R712,713			RK73GB2A100J	CHIP R 10 J 1/10W	KK3R1
R361,362			RK73HB1J471J	CHIP R 470 J 1/16W		R712,713			RK73GB2A2R2J	CHIP R 2.2 J 1/10W	K1K2
R363,364			RK73HB1J223J	CHIP R 22K J 1/16W		R721			RK73HB1J104J	CHIP R 100K J 1/16W	K1K2
R366			RK73GB2A000J	CHIP R 0.0 J 1/10W	K1K2	R722			RK73GB2A101J	CHIP R 100 J 1/10W	K1K2
R367,368			RK73HB1J100J	CHIP R 10 J 1/16W	K1K2	R723,724			RK73HB1J101J	CHIP R 100 J 1/16W	K1K2
R371-374			RK73HB1J103J	CHIP R 10K J 1/16W	KK3R1	R731			RK73HB1J152J	CHIP R 1.5K J 1/16W	K1K2
R375,376			RK73EB2E820J	CHIP R 82 J 1/4W		R732			RK73HB1J105J	CHIP R 1.0M J 1/16W	K1K2
R381-384			RK73HB1J103J	CHIP R 10K J 1/16W	KK3R1	R748			RK73HB1J100J	CHIP R 10 J 1/16W	K1K2
R385,386			RK73EB2E820J	CHIP R 82 J 1/4W		R751-754			RK73HH1J153D	CHIP R 15K D 1/16W	KK3R1
R391-394			RK73HB1J103J	CHIP R 10K J 1/16W	KK3R1	R755-758			RK73HH1J242D	CHIP R 2.4K D 1/16W	KK3R1
R395,396			RK73EB2E820J	CHIP R 82 J 1/4W		R759-762			RK73HH1J332D	CHIP R 3.3K D 1/16W	KK3R1
R398,399			RK73GB2A000J	CHIP R 0.0 J 1/10W	KK3R1	R763-770			RK73HB1J472J	CHIP R 4.7K J 1/16W	KK3R1
R402,403			RK73HB1J101J	CHIP R 100 J 1/16W		R771,772			RK73HB1J752J	CHIP R 7.5K J 1/16W	KK3R1
R404,405			RK73HB1J473J	CHIP R 47K J 1/16W		R773,774			RK73HB1J202J	CHIP R 2.0K J 1/16W	KK3R1
R406			RK73GB2A2R2J	CHIP R 2.2 J 1/10W		R775,776			RK73HB1J332J	CHIP R 3.3K J 1/16W	KK3R1
R407-409			RK73HB1J000J	CHIP R 0.0 J 1/16W	KK3R1	R781,782			RK73HB1J752J	CHIP R 7.5K J 1/16W	KK3R1
R410-412			RK73HB1J620J	CHIP R 62 J 1/16W		R783			RK73HB1J432J	CHIP R 4.3K J 1/16W	KK3R1
R474			RK73HB1J473J	CHIP R 47K J 1/16W		R784			RK73HB1J202J	CHIP R 2.0K J 1/16W	KK3R1
R478			RK73HB1J102J	CHIP R 1.0K J 1/16W		R785			RK73HB1J113J	CHIP R 11K J 1/16W	KK3R1
R479			RK73GB2A4R7J	CHIP R 4.7 J 1/10W		R786			RK73HB1J332J	CHIP R 3.3K J 1/16W	KK3R1
R501,502			RK73EB2E100J	CHIP R 10 J 1/4W		R791-795			RK73HB1J100J	CHIP R 10 J 1/16W	K1K2
R503			RK73EB2E4R7J	CHIP R 4.7 J 1/4W		R791-796			RK73HB1J000J	CHIP R 0.0 J 1/16W	KK3R1

K: DNX9960 K1: DNX7160 K2: DNX7020EX K3: DDX896 (North America)
R1: DDX8046BT (Latin America)

 indicates safety critical components.

PARTS LIST

ELECTRIC UNIT(X34-6710-1x)

Ref.No.	A d e w	Parts No.	Description	Dest inati on	Ref.No.	A d e w	Parts No.	Description	Dest inati on
R797		RK73HB1J103J	CHIP R 10K J 1/16W	KK3R1	D101		RKZ6.2KG(B2)	ZENER DIODE	
R800		RK73FB2B000J	CHIP R 0.0 J 1/8W	K	D102		HSU119TRF-E	DIODE	
R801-803		RK73HB1J430J	CHIP R 43 J 1/16W	KK3R1	D111		HSU119TRF-E	DIODE	
R804,805		RK73EB2E560J	CHIP R 56 J 1/4W	KK3R1	D112,113		M1F60-6063	DIODE	
R806,807		RK73EB2E750J	CHIP R 75 J 1/4W	KK3R1	D121,122		M1F60-6063	DIODE	
R808		RK73HB1J120J	CHIP R 12 J 1/16W	KK3R1	D131		HSU119TRF-E	DIODE	
R811-813		RK73HB1J750J	CHIP R 75 J 1/16W	KK3R1	D141		RKZ4.7KG(B2)	ZENER DIODE	
R814,815		RK73HB1J820J	CHIP R 82 J 1/16W	KK3R1	D151		RKZ6.2KG(B2)	ZENER DIODE	
R816,817		RK73HB1J101J	CHIP R 100 J 1/16W	KK3R1	D161		HSU119TRF-E	DIODE	
R818,819		RK73HB1J620J	CHIP R 62 J 1/16W	KK3R1	D171		HSU119TRF-E	DIODE	
R820,821	*	RK73HB1J360J	CHIP R 36 J 1/16W	KK3R1	D201		EZAEG3A50A	SURGE ABSORBER	
R822,823		RK73HB1J680J	CHIP R 68 J 1/16W	KK3R1	D301-304		RB717F	DIODE	
R824,825	*	RK73HB1J680JH	CHIP R 68 J 1/16W	KK3R1	D305,306		FF1J4L	DIODE	
R828		RK73HB1J101J	CHIP R 100 J 1/16W	KK3R1	D341,342		DAP202U	DIODE	
R829		RK73GH2A123D	CHIP R 12K D 1/10W	KK3R1	D343,344		CVL10C270M300	VARISTOR	
R831		RK73HB1J152J	CHIP R 1.5K J 1/16W	KK3R1	D345		MC2850-T111	DIODE	
R832		RK73HB1J105J	CHIP R 1.0M J 1/16W	KK3R1	D352		DAP202U	DIODE	
R833		RK73HB1J101J	CHIP R 100 J 1/16W	KK3R1	D353,354		CVL10C270M300	VARISTOR	
R834,835		RK73HB1J301J	CHIP R 300 J 1/16W	KK3R1	D355		MC2850-T111	DIODE	
R836-838		RK73HB1J101J	CHIP R 100 J 1/16W	KK3R1	D356		DAP202U	DIODE	
R839		RK73HB1J470J	CHIP R 47 J 1/16W	KK3R1	D361,362		DAP202U	DIODE	
R841,842		RK73GB2A471J	CHIP R 470 J 1/10W	KK3R1	D363,364		CVL10C270M300	VARISTOR	
R843		RK73HB1J104J	CHIP R 100K J 1/16W	KK3R1	D365		MC2850-T111	DIODE	
R844		RK73HB1J101J	CHIP R 100 J 1/16W	KK3R1	D401		FF1J4L	DIODE	
R845		RK73HB1J104J	CHIP R 100K J 1/16W	KK3R1	D501-503		CVL10C270M300	VARISTOR	
R846-848		RK73HB1J101J	CHIP R 100 J 1/16W	KK3R1	D521,522		CVL10C270M300	VARISTOR	
R849		RK73HB1J473J	CHIP R 47K J 1/16W	KK3R1	D541		CVL10C270M300	VARISTOR	K
R850		RK73HB1J104J	CHIP R 100K J 1/16W	KK3R1	D561		RKZ5.6KG(B2)	ZENER DIODE	
R851,852		RK73GB2A471J	CHIP R 470 J 1/10W	KK3R1	D571		CVL10C270M300	VARISTOR	
R853		RK73HB1J104J	CHIP R 100K J 1/16W	KK3R1	D573		CVL10C270M300	VARISTOR	
R854		RK73HB1J101J	CHIP R 100 J 1/16W	KK3R1	D575		CVL10C270M300	VARISTOR	
R855		RK73HB1J104J	CHIP R 100K J 1/16W	KK3R1	D576		HSU119TRF-E	DIODE	
R856-858		RK73HB1J101J	CHIP R 100 J 1/16W	KK3R1	D577-581		CVL10C270M300	VARISTOR	
R859		RK73HB1J473J	CHIP R 47K J 1/16W	KK3R1	D601		MC2850-T111	DIODE	
R860		RK73HB1J101J	CHIP R 100 J 1/16W	KK3R1	D801		CRS04	DIODE	KK3R1
R861		RK73HB1J473J	CHIP R 47K J 1/16W	KK3R1	IC1		TB2923HQ	ANALOGUE IC	
R863		RK73HB1J101J	CHIP R 100 J 1/16W	KK3R1	IC2		NJM4580V-ZB	ANALOGUE IC	
R864,865		RK73HB1J100J	CHIP R 10 J 1/16W	KK3R1	IC3		NJU7109F3-ZB	ANALOGUE IC	
R866,867		RK73HB1J101J	CHIP R 100 J 1/16W	KK3R1	IC41		M5237ML-CF0J	ANALOGUE IC	
R868		RK73HB1J104J	CHIP R 100K J 1/16W	KK3R1	IC42		BA00DD0WHFP	ANALOGUE IC	
R871		RK73HB1J000J	CHIP R 0.0 J 1/16W	KK3R1	IC51		M5237ML-CF0J	ANALOGUE IC	
R872-874		RK73HB1J1R0J	CHIP R 1.0 J 1/16W	KK3R1	IC61		BA00DD0WHFP	ANALOGUE IC	
R875,876		RK73GB2A1R0J	CHIP R 1.0 J 1/10W	KK3R1	IC71		ICL7660SIBAZ	ANALOGUE IC	KK3R1
R878		RK73GB2A1R0J	CHIP R 1.0 J 1/10W	KK3R1	IC251		E-TDA7478AD	ANALOGUE IC	
R954		RK73HB1J100J	CHIP R 10 J 1/16W	KK3R1	IC301		E-TDA7415CB	ANALOGUE IC	
R957,958		RK73HB1J000J	CHIP R 0.0 J 1/16W	KK3R1	IC302,303		NJM4580V-ZB	ANALOGUE IC	
D1		RM30LF014-102	DIODE		IC371-373		NJM4580V-ZB	ANALOGUE IC	KK3R1
D3 ,4		HSU119TRF-E	DIODE		IC401		AN15863UA-VB	ANALOGUE IC	
D6		RB717F	DIODE		IC471		HEF4053BT	MOS-IC	
D7		RKZ5.6KG(B2)	ZENER DIODE		IC521		NJM2505AF-ZB	ANALOGUE IC	
D41		FF1J4L	DIODE		IC561		LB1836M-TLM-E	ANALOGUE IC	
D61		FF1J4L	DIODE		IC571		74AHCT08PW	MOS-IC	K1K2
D71		UDZW11(B)	ZENER DIODE	KK3R1	IC701		AK7600VF	MOS-IC	KK3R1
D72		RKZ5.6KG(B2)	ZENER DIODE	KK3R1	IC751-754		NJM4580V-ZB	ANALOGUE IC	KK3R1
					IC755		NJM2123V-ZB	ANALOGUE IC	KK3R1

K: DNX9960 **K1:** DNX7160 **K2:** DNX7020EX **K3:** DDX896 (North America)

R1: DDX8046BT (Latin America)

indicates safety critical components.

PARTS LIST

ELECTRIC UNIT(X34-6710-1x)

Ref.No.	A d d w	Parts No.	Description	Dest inati on
IC801		DSPC56371AF17	MOS-IC	KK3R1
IC802		* AK4588VQ	MOS-IC	KK3R1
IC803		TC7WHU04FU-F	MOS-IC	KK3R1
IC804		S-1132B33U5T1G	ANALOGUE IC	KK3R1
IC805		E-LD1117DTC	ANALOGUE IC	KK3R1
IC806		XC6201P502PR	ANALOGUE IC	KK3R1
IC807		TC7SET08FU-F	MOS-IC	KK3R1
Q1		2SC4617	TRANSISTOR	
Q2		RT1N441M-T111	TRANSISTOR	
Q41		2SB1449(R)-E	TRANSISTOR	
Q42		RT1N241M-T111	TRANSISTOR	
Q43		RT1P241M-T111	TRANSISTOR	
Q51		2SB1449(R)-E	TRANSISTOR	
Q52		RT1N241M-T111	TRANSISTOR	
Q53		RT1P241M-T111	TRANSISTOR	
Q72		2SA1797	TRANSISTOR	KK3R1
Q73		2SC4617	TRANSISTOR	KK3R1
Q74		2SA1774	TRANSISTOR	KK3R1
Q75		2SC4617	TRANSISTOR	KK3R1
Q76		2SA1774	TRANSISTOR	KK3R1
Q77		2SC4617	TRANSISTOR	KK3R1
Q78		2SA1774	TRANSISTOR	KK3R1
Q79		2SC4617	TRANSISTOR	KK3R1
Q91		2SA1774	TRANSISTOR	
Q92		RT1N441M-T111	TRANSISTOR	
Q93		RT1N241M-T111	TRANSISTOR	
Q94		2SA1774	TRANSISTOR	
Q101		2SC4617	TRANSISTOR	
Q111		2SB1188(R)	TRANSISTOR	
Q112		2SA1774	TRANSISTOR	
Q113		RT1P241M-T111	TRANSISTOR	
Q114		DTC123JUA	DIGITAL TRANSISTOR	
Q121		2SB1188(R)	TRANSISTOR	
Q122		2SC4617	TRANSISTOR	
Q131		RT1N241M-T111	TRANSISTOR	
Q161		RT1P144M-T111	TRANSISTOR	
Q171		RT1N241M-T111	TRANSISTOR	
Q201		RT1N144M-T111	TRANSISTOR	
Q202		2SA1774	TRANSISTOR	
Q261		2SC3357-A	TRANSISTOR	KK1K2
Q341,342		DTC643TU	DIGITAL TRANSISTOR	
Q343		DTA143ZUA	DIGITAL TRANSISTOR	
Q344		RT1N144M-T111	TRANSISTOR	
Q351,352		DTC643TU	DIGITAL TRANSISTOR	
Q354		RT1N144M-T111	TRANSISTOR	
Q355		RT1N241M-T111	TRANSISTOR	
Q361,362		DTC643TU	DIGITAL TRANSISTOR	
Q363		DTA143ZUA	DIGITAL TRANSISTOR	
Q364		RT1N144M-T111	TRANSISTOR	
Q471		RT1N144M-T111	TRANSISTOR	
Q561		2SB1188(R)	TRANSISTOR	
Q562		2SC4617	TRANSISTOR	
Q563		RT1N144M-T111	TRANSISTOR	
Q571		RT1N144M-T111	TRANSISTOR	
Q572		TPC8110-F	FET	

Ref.No.	A d d w	Parts No.	Description	Dest inati on
Q573,574		RT1N441M-T111	TRANSISTOR	
Q801		RT1N144M-T111	TRANSISTOR	KK3R1
TH1		PRF18BE471QS2	POSITIVE RESISTOR	
A201		X86-4030-11	FRONT-END UNIT	
VIDEO UNIT(X35-5070-10)				
C1		CK73HB1E103K	CHIP C 0.010UF K	
C2		CK73HB1A104K	CHIP C 0.10UF K	
C3		CK73HB1E223K	CHIP C 0.022UF K	
C4		CC73HCH1H101J	CHIP C 100PF J	
C5		CK73HB1E103K	CHIP C 0.010UF K	
C6		CC73HCH1H101J	CHIP C 100PF J	
C9		CK73HB1C473K	CHIP C 0.047UF K	
C10		CK73GB1H103K	CHIP C 0.010UF K	
C11		CK73GB1H104K	CHIP C 0.10UF K	
C12 ,13		CK73EB1E106K	CHIP C 10UF K	
C14		CK73HB1C473K	CHIP C 0.047UF K	
C15		CK73HB0J224K	CHIP C 0.22UF K	
C18		CK73GB1H103K	CHIP C 0.010UF K	
C19		CK73GB1H104K	CHIP C 0.10UF K	
C20		C92-2031-05	ELECTRO 220UF	
C21 ,22		CK73FB0J226M	CHIP C 22UF M	
C23		CK73HB0J224K	CHIP C 0.22UF K	
C26		CK73GB1H103K	CHIP C 0.010UF K	
C27		CK73GB1H104K	CHIP C 0.10UF K	
C28		C92-2031-05	ELECTRO 220UF	
C29 -33		CK73FB0J226M	CHIP C 22UF M	
C34 -37		CK73GB1A105K	CHIP C 1.0UF K	
C38		CK73HB1A104K	CHIP C 0.10UF K	
C40 ,41		CK73FB0J226M	CHIP C 22UF M	
C42		CK73FB1E475K	CHIP C 4.7UF K	
C100,101		CK73FB1E475K	CHIP C 4.7UF K	
C104		CK73GB0J106M	CHIP C 10UF M	
C105		CK73GB1H103K	CHIP C 0.010UF K	
C106		CK73GB1H104K	CHIP C 0.10UF K	
C107		CK73EB1E106K	CHIP C 10UF K	
C108		CK73GB1H104K	CHIP C 0.10UF K	
C109		CK73GB1H103K	CHIP C 0.010UF K	
C110		CK73GB1E154K	CHIP C 0.15UF K	
C112		CC73GCH1H102J	CHIP C 1000PF J	
C113		CK73GB1C224K	CHIP C 0.22UF K	
C114		CC73HCH1H151J	CHIP C 150PF J	
C115		CK73FB1C106K	CHIP C 10UF K	
C116		CK73GB1C104K	CHIP C 0.10UF K	
C117-119		CK73FB1C106K	CHIP C 10UF K	
C120		CK73GB1H103K	CHIP C 0.010UF K	
C121		CK73GB1H104K	CHIP C 0.10UF K	
C122		CK73FB1C106K	CHIP C 10UF K	
C123		CK73FB1E475K	CHIP C 4.7UF K	
C124		CK73FB1C106K	CHIP C 10UF K	
C125		CK73GB1H104K	CHIP C 0.10UF K	
C126		CK73FB1C106K	CHIP C 10UF K	
C127		CK73GB1H103K	CHIP C 0.010UF K	
C128		CK73GB1C104K	CHIP C 0.10UF K	
C129		CK73FB1C106K	CHIP C 10UF K	

K: DNX9960 K1: DNX7160 K2: DNX7020EX K3: DDX896 (North America)
 R1: DDX8046BT (Latin America)


⚠ indicates safety critical components.

PARTS LIST

VIDEO UNIT(X35-5070-10)

Ref.No.	A d d	N e w	Parts No.	Description	Dest inati on	Ref.No.	A d d	N e w	Parts No.	Description	Dest inati on
C130,131			CK73GB1C104K	CHIP C 0.10UF K		C432			CK73HB1A104K	CHIP C 0.10UF K	
C133,134			CK73HB0J105K	CHIP C 1.0UF K		C433			CK73FB1E475K	CHIP C 4.7UF K	
C135,136			CK73FB1C106K	CHIP C 10UF K		C434			CK73GB1H104K	CHIP C 0.10UF K	
C200			CK73HB1E103K	CHIP C 0.010UF K		C435			CK73HB1E103K	CHIP C 0.010UF K	
C201			CK73HB0J224K	CHIP C 0.22UF K		C436-444			CK73HB1A104K	CHIP C 0.10UF K	
C202			CK73HB1A104K	CHIP C 0.10UF K		C445			CK73HB1E103K	CHIP C 0.010UF K	
C203			CC73HCH1H101J	CHIP C 100PF J		C446,447			CK73HB1A104K	CHIP C 0.10UF K	
C204			CK73FB1E475K	CHIP C 4.7UF K		C448,449			CK73HB1E103K	CHIP C 0.010UF K	
C205-209			CK73EB1E106K	CHIP C 10UF K		C450-452			CK73GB0J106M	CHIP C 10UF M	
C210			CK73GB1H104K	CHIP C 0.10UF K		C453			CK73HB1A104K	CHIP C 0.10UF K	
C211			CK73GB1H103K	CHIP C 0.010UF K		C454-459			CK73HB1E103K	CHIP C 0.010UF K	
C212			CC73GCH1H471J	CHIP C 470PF J		C460			CK73FB1C106K	CHIP C 10UF K	
C214			CK73GB1H103K	CHIP C 0.010UF K		C461			CK73GB1H104K	CHIP C 0.10UF K	
C215			CK73GB1H104K	CHIP C 0.10UF K		C462			CK73HB1E103K	CHIP C 0.010UF K	
C216			CC73HCH1H470J	CHIP C 47PF J		C463,464			CK73FB1C106K	CHIP C 10UF K	
C217-220			CK73EB1H475K	CHIP C 4.7UF K		C465			CK73HB1A104K	CHIP C 0.10UF K	
C221			CK73GB1H103K	CHIP C 0.010UF K		C466			CK73GB0J106M	CHIP C 10UF M	
C222			CK73GB1H104K	CHIP C 0.10UF K		C467-470			CK73HB1A104K	CHIP C 0.10UF K	
C223			CK73HB1E103K	CHIP C 0.010UF K		C471-473			CK73EB1E106K	CHIP C 10UF K	
C224			CK73HB1A104K	CHIP C 0.10UF K		C474			CK73FB0J226M	CHIP C 22UF M	
C225			CC73GCH1H101J	CHIP C 100PF J		C475			CC73HCH1H180J	CHIP C 18PF J	
C227			CK73FB1E475K	CHIP C 4.7UF K		C476			CK73FB0J226M	CHIP C 22UF M	
C228,229			CK73HB1A104K	CHIP C 0.10UF K		C477,478			CK73EB1E106K	CHIP C 10UF K	
C300			CK73HB1A104K	CHIP C 0.10UF K		C479			CK73FB0J226M	CHIP C 22UF M	
C303			CK73HB0J105K	CHIP C 1.0UF K		C481			CK73EB1E106K	CHIP C 10UF K	
C305			CK73HB0J105K	CHIP C 1.0UF K		C482			CC73HCH1H180J	CHIP C 18PF J	
C306			CK73GB1H104K	CHIP C 0.10UF K		C483			CK73GB0J106M	CHIP C 10UF M	
C307			CK73HB0J105K	CHIP C 1.0UF K		C484			CK73FB0J226M	CHIP C 22UF M	
C308-310			CK73GB1H104K	CHIP C 0.10UF K		C485			CK73HB1E103K	CHIP C 0.010UF K	
C311			CK73GB0J106M	CHIP C 10UF M		C486			CK73HB1A104K	CHIP C 0.10UF K	
C312			CK73FB0J226M	CHIP C 22UF M		C487			CK73GB0J106M	CHIP C 10UF M	
C314			CC73GCH1H101J	CHIP C 100PF J		C488-490			CK73HB1A104K	CHIP C 0.10UF K	
C315,316			CK73GB1H102K	CHIP C 1000PF K		C492-494			CK73HB1A104K	CHIP C 0.10UF K	
C317			CC73GCH1H101J	CHIP C 100PF J		C506			CK73FB0J226M	CHIP C 22UF M	
C318			CK73GB1H102K	CHIP C 1000PF K		C508			CK73HB1E103K	CHIP C 0.010UF K	
C319,320			CK73HB1H102K	CHIP C 1000PF K		C509			CK73GB1H104K	CHIP C 0.10UF K	
C401			CK73HB1A104K	CHIP C 0.10UF K		C510			CK73FB0J226M	CHIP C 22UF M	
C402			CC73HCH1H330J	CHIP C 33PF J		C511			CK73GB0J106M	CHIP C 10UF M	
C403			CK73HB1A104K	CHIP C 0.10UF K		C512			CK73HB1E103K	CHIP C 0.010UF K	
C404			CK73GB0J106M	CHIP C 10UF M		C513-517			CK73HB1A104K	CHIP C 0.10UF K	
C405,406			CK73HB1A104K	CHIP C 0.10UF K		C518-522			CC73HCH1H102J	CHIP C 1000PF J	
C407-410			CC73HCH1H101J	CHIP C 100PF J		C528			CK73GB0J106M	CHIP C 10UF M	
C411-414			CK73HB1A104K	CHIP C 0.10UF K		C529			CK73HB1E103K	CHIP C 0.010UF K	
C415			CK73FB0J226M	CHIP C 22UF M		C532,533			CC73HCH1H102J	CHIP C 1000PF J	
C416-419			CK73HB1A104K	CHIP C 0.10UF K		C534,535			CK73HB1A104K	CHIP C 0.10UF K	
C420			CK73HB1E103K	CHIP C 0.010UF K		C536,537			CK73FB1C106K	CHIP C 10UF K	
C421			CK73HB1A104K	CHIP C 0.10UF K		C538			CK73HB0J105K	CHIP C 1.0UF K	
C422			CK73HB1E103K	CHIP C 0.010UF K		C541			CK73GB1H103K	CHIP C 0.010UF K	
C423			CK73HB1A104K	CHIP C 0.10UF K		C542			CK73GB1H104K	CHIP C 0.10UF K	
C424			CK73FB1E475K	CHIP C 4.7UF K		C543			CK73GB1H102K	CHIP C 1000PF K	
C425			CK73GB1H104K	CHIP C 0.10UF K		C544			CK73HB1E103K	CHIP C 0.010UF K	
C426			CK73HB1E103K	CHIP C 0.010UF K		CN2			E41-2985-05	FLAT CABLE CONNECTOR	
C427			CK73GB0J106M	CHIP C 10UF M		CN200			E41-2615-05	FLAT CABLE CONNECTOR	
C428-430			CK73HB1A104K	CHIP C 0.10UF K		CN300			E41-2276-05	FLAT CABLE CONNECTOR	
C431			CK73GB0J106M	CHIP C 10UF M							

K: DNX9960 K1: DNX7160 K2: DNX7020EX K3: DDX896 (North America)
R1: DDX8046BT (Latin America)

 indicates safety critical components.

PARTS LIST

VIDEO UNIT(X35-5070-10)

Ref.No.	A d d	N e w	Parts No.	Description	Dest inati on	Ref.No.	A d d	N e w	Parts No.	Description	Dest inati on
CN301		*	E41-3144-05	FLAT CABLE CONNECTOR		R22 ,23			RK73HH1J202D	CHIP R 2.0K D 1/16W	
CN400			E41-2812-05	FLAT CABLE CONNECTOR		R24			RK73GB2A2R2J	CHIP R 2.2 J 1/10W	
F100			F53-0280-05	FUSE 0.63A		R25			RK73FB2B000J	CHIP R 0.0 J 1/8W	
L1			L92-0364-05	CHIP FERRITE		R26 ,27			RK73HB1J000J	CHIP R 0.0 J 1/16W	
L2		*	L33-2593-05	CHOKO COIL		R28			RK73HB1J473J	CHIP R 47K J 1/16W	
L3			L33-1995-05	CHOKO COIL		R30			RK73FB2B302J	CHIP R 3.0K J 1/8W	
L100			L33-2583-05	CHOKO COIL		R31			RK73FB2B392J	CHIP R 3.9K J 1/8W	
L101			L41-4792-13	SMALL FIXED INDUCTOR(4.7UH)		R100			RK73HB1J101J	CHIP R 100 J 1/16W	
L102			L41-1005-33	SMALL FIXED INDUCTOR(10U)		R101			RK73HB1J102J	CHIP R 1.0K J 1/16W	
L103		*	L33-2611-05	CHOKO COIL		R102			RK73HB1J103J	CHIP R 10K J 1/16W	
L105,106			L41-1005-33	SMALL FIXED INDUCTOR(10U)		R104			RK73HB1J101J	CHIP R 100 J 1/16W	
L200			L33-2583-05	CHOKO COIL		R105			RK73HB1J103J	CHIP R 10K J 1/16W	
L201		*	L33-2587-05	CHOKO COIL		R106			RK73HB1J473J	CHIP R 47K J 1/16W	
L301-303			L92-0180-05	CHIP FERRITE		R108			RK73HH1J114D	CHIP R 110K D 1/16W	
L400			L41-2281-15	SMALL FIXED INDUCTOR(220NH)		R109			RK73HH1J822D	CHIP R 8.2K D 1/16W	
L401			L92-0378-05	CHIP FERRITE		R111			RK73HH1J104D	CHIP R 100K D 1/16W	
L402-407			L92-0172-05	CHIP FERRITE		R112			RK73HH1J133D	CHIP R 13K D 1/16W	
L408			L92-0378-05	CHIP FERRITE		R113			RK73GB2A000J	CHIP R 0.0 J 1/10W	
L409-420			L92-0172-05	CHIP FERRITE		R115			RK73HB1J473J	CHIP R 47K J 1/16W	
L421-426			L92-0378-05	CHIP FERRITE		R116			RK73HB1J302J	CHIP R 3.0K J 1/16W	
L427,428			L92-0668-05	CHIP FERRITE		R118			RK73HB1J272J	CHIP R 2.7K J 1/16W	
L429,430			L92-0378-05	CHIP FERRITE		R119			RK73HB1J332J	CHIP R 3.3K J 1/16W	
L431		*	L33-2581-05	CHOKO COIL		R120			RK73HB1J203J	CHIP R 20K J 1/16W	
L432			L92-0378-05	CHIP FERRITE		R122			RK73HH1J183D	CHIP R 18K D 1/16W	
L433			L92-0364-05	CHIP FERRITE		R123			RK73HH1J912D	CHIP R 9.1K D 1/16W	
L434,435			L92-0378-05	CHIP FERRITE		R124		*	RK73HH1J361D	CHIP R 360 D 1/16W	
L436			L92-0668-05	CHIP FERRITE		R125			RK73GB2A000J	CHIP R 0.0 J 1/10W	
L437-440			L92-0378-05	CHIP FERRITE		R126			RK73HB1J101J	CHIP R 100 J 1/16W	
L442			L41-1005-33	SMALL FIXED INDUCTOR(10U)		R127			RK73HB1J103J	CHIP R 10K J 1/16W	
L443			L92-0668-05	CHIP FERRITE		R129			RK73HB1J101J	CHIP R 100 J 1/16W	
L444			L41-1005-33	SMALL FIXED INDUCTOR(10U)		R130			RK73HB1J102J	CHIP R 1.0K J 1/16W	
X400			L77-2996-05	CRYSTAL RESONATOR(14.31818MHZ)		R131			RK73HB1J103J	CHIP R 10K J 1/16W	
CP400,401			RK74HB1J221J	CHIP-COM 220 J 1/16W		R132			RK73HH1J822D	CHIP R 8.2K D 1/16W	
CP402			RK74HB1J101J	CHIP-COM 100 J 1/16W		R133			RK73HH1J113D	CHIP R 11K D 1/16W	
CP403-406			RK74HB1J221J	CHIP-COM 220 J 1/16W		R135,136			RK73HB1J472J	CHIP R 4.7K J 1/16W	
CP407-411			RK74HB1J101J	CHIP-COM 100 J 1/16W		R137			RK73HB1J473J	CHIP R 47K J 1/16W	
CP412-415			RK74HB1J560J	CHIP-COM 56 J 1/16W		R200			RK73HH1J104D	CHIP R 100K D 1/16W	
CP416-419			RK74HB1J820J	CHIP-COM 82 J 1/16W		R201			RK73HB1J104J	CHIP R 100K J 1/16W	
R1 ,2			RK73HB1J473J	CHIP R 47K J 1/16W		R202			RK73GB2A104J	CHIP R 100K J 1/10W	
R3			RK73FB2B152J	CHIP R 1.5K J 1/8W		R203			RK73HB1J104J	CHIP R 100K J 1/16W	
R4			RK73HH1J683D	CHIP R 68K D 1/16W		R204			RK73HB1J302J	CHIP R 3.0K J 1/16W	
R5			RK73HB1J753J	CHIP R 75K J 1/16W		R205			RK73HB1J000J	CHIP R 0.0 J 1/16W	
R6			RK73HB1J683J	CHIP R 68K J 1/16W		R208			RK73GB2A563J	CHIP R 56K J 1/10W	
R8			RK73HB1J000J	CHIP R 0.0 J 1/16W		R209			RK73HB1J104J	CHIP R 100K J 1/16W	
R9			RK73HH1J153D	CHIP R 15K D 1/16W		R210			RK73HH1J273D	CHIP R 27K D 1/16W	
R12			RK73HH1J622D	CHIP R 6.2K D 1/16W		R211			RK73HB1J302J	CHIP R 3.0K J 1/16W	
R13			RK73HH1J333D	CHIP R 33K D 1/16W		R212			RK73HH1J514D	CHIP R 510K D 1/16W	
R14			RK73HH1J473D	CHIP R 47K D 1/16W		R213			RK73HH1J104D	CHIP R 100K D 1/16W	
R15			RK73HB1J104J	CHIP R 100K J 1/16W		R214			RK73HB1J103J	CHIP R 10K J 1/16W	
R16			RK73HB1J473J	CHIP R 47K J 1/16W		R215			RK73EB2E100J	CHIP R 10 J 1/4W	
R17			RK73HB1J104J	CHIP R 100K J 1/16W		R216			RK73HH1J472D	CHIP R 4.7K D 1/16W	
R20			RK73EB2E000J	CHIP R 0.0 J 1/4W		R217			RK73HH1J103D	CHIP R 10K D 1/16W	
R21			RK73HH1J912D	CHIP R 9.1K D 1/16W		R219			RK73FB2B182J	CHIP R 1.8K J 1/8W	
						R220			RK73HB1J473J	CHIP R 47K J 1/16W	
						R221			RK73HB1J000J	CHIP R 0.0 J 1/16W	

K: DNX9960 K1: DNX7160 K2: DNX7020EX K3: DDX896 (North America)
R1: DDX8046BT (Latin America)

▲ indicates safety critical components.

PARTS LIST

VIDEO UNIT(X35-5070-10)

Ref.No.	A d d	N e w	Parts No.	Description	Dest inati on	Ref.No.	A d d	N e w	Parts No.	Description	Dest inati on
R223			RK73FB2B302J	CHIP R 3.0K J 1/8W		R428			RK73HB1J470J	CHIP R 47 J 1/16W	
R224			RK73FB2B392J	CHIP R 3.9K J 1/8W		R429-432			RK73HB1J101J	CHIP R 100 J 1/16W	
R225			RK73HH1J473D	CHIP R 47K D 1/16W		R436			RK73HB1J103J	CHIP R 10K J 1/16W	
R226			RK73HH1J512D	CHIP R 5.1K D 1/16W		R437			RK73HB1J000J	CHIP R 0.0 J 1/16W	
R227,228			RK73HB1J473J	CHIP R 47K J 1/16W		R438			RK73HB1J470J	CHIP R 47 J 1/16W	
R229,230			RK73HB1J000J	CHIP R 0.0 J 1/16W		R440,441			RK73HB1J103J	CHIP R 10K J 1/16W	
R231,232			RK73HB1J473J	CHIP R 47K J 1/16W		R442,443			RK73HB1J472J	CHIP R 4.7K J 1/16W	
R300			RK73HB1J000J	CHIP R 0.0 J 1/16W		R445			RK73HB1J000J	CHIP R 0.0 J 1/16W	
R301			RK73HB1J473J	CHIP R 47K J 1/16W		R447-454			RK73HB1J103J	CHIP R 10K J 1/16W	
R302			RK73FB2B152J	CHIP R 1.5K J 1/8W		R456-458			RK73HB1J103J	CHIP R 10K J 1/16W	
R306			RK73HB1J473J	CHIP R 47K J 1/16W		R459,460			RK73HB1J101J	CHIP R 100 J 1/16W	
R307			RK73GH2A331D	CHIP R 330 D 1/10W		R464			RK73HB1J103J	CHIP R 10K J 1/16W	
R308			RK73GH2A361D	CHIP R 360 D 1/10W		R466			RK73HB1J103J	CHIP R 10K J 1/16W	
R310			RK73HB1J473J	CHIP R 47K J 1/16W		R467,468			RK73HH1J301D	CHIP R 300 D 1/16W	
R312,313			RK73HB1J000J	CHIP R 0.0 J 1/16W		R469			RK73HB1J103J	CHIP R 10K J 1/16W	
R315			RK73GH2A331D	CHIP R 330 D 1/10W		R470			RK73HH1J301D	CHIP R 300 D 1/16W	
R316			RK73HB1J000J	CHIP R 0.0 J 1/16W		R471			RK73HH1J153D	CHIP R 15K D 1/16W	
R317			RK73GH2A361D	CHIP R 360 D 1/10W		R472			RK73HH1J123D	CHIP R 12K D 1/16W	
R318			RK73HB1J000J	CHIP R 0.0 J 1/16W		R473			RK73HB1J101J	CHIP R 100 J 1/16W	
R319			RK73HB1J473J	CHIP R 47K J 1/16W		R474,475			RK73HB1J100J	CHIP R 10 J 1/16W	
R321-324			RK73GH2A100D	CHIP R 10 D 1/10W		R476			RK73HB1J103J	CHIP R 10K J 1/16W	
R325			RK73GH2A331D	CHIP R 330 D 1/10W		R477	*		RK73HH1J220D	CHIP R 22 D 1/16W	
R326			RK73GH2A361D	CHIP R 360 D 1/10W		R478			RK73HH1J123D	CHIP R 12K D 1/16W	
R327			RK73GB2A221J	CHIP R 220 J 1/10W		R479			RK73HH1J273D	CHIP R 27K D 1/16W	
R328,329			RK73HB1J473J	CHIP R 47K J 1/16W		R480	*		RK73HH1J220D	CHIP R 22 D 1/16W	
R330			RK73GB2A000J	CHIP R 0.0 J 1/10W		R481			RK73HB1J101J	CHIP R 100 J 1/16W	
R331			RK73GH2A331D	CHIP R 330 D 1/10W		R482			RK73HB1J103J	CHIP R 10K J 1/16W	
R332,333			RK73GB2A000J	CHIP R 0.0 J 1/10W		R483	*		RK73HH1J220D	CHIP R 22 D 1/16W	
R334			RK73GB2A100J	CHIP R 10 J 1/10W		R484			RK73HB1J101J	CHIP R 100 J 1/16W	
R335			RK73GB2A470J	CHIP R 47 J 1/10W		R485			RK73EB2E392J	CHIP R 3.9K J 1/4W	
R336-341			RK73GB2A100J	CHIP R 10 J 1/10W		R486			RK73HB1J104J	CHIP R 100K J 1/16W	
R342			RK73GB2A101J	CHIP R 100 J 1/10W		R487			RK73HB1J101J	CHIP R 100 J 1/16W	
R343			RK73GB2A431J	CHIP R 430 J 1/10W		R488,489			RK73HB1J000J	CHIP R 0.0 J 1/16W	
R344,345			RK73GB2A101J	CHIP R 100 J 1/10W		R490			RK73HB1J472J	CHIP R 4.7K J 1/16W	
R346			RK73GH2A361D	CHIP R 360 D 1/10W		R492			RK73HH1J102D	CHIP R 1.0K D 1/16W	
R347			RK73GB2A000J	CHIP R 0.0 J 1/10W		R493			RK73HB1J472J	CHIP R 4.7K J 1/16W	
R353-360			RK73GB2A000J	CHIP R 0.0 J 1/10W		R494			RK73HB1J101J	CHIP R 100 J 1/16W	
R363			RK73GB2A101J	CHIP R 100 J 1/10W		R495			RK73HB1J470J	CHIP R 47 J 1/16W	
R364			RK73GB2A473J	CHIP R 47K J 1/10W		R496			RK73HH1J102D	CHIP R 1.0K D 1/16W	
R367			RK73GB2A000J	CHIP R 0.0 J 1/10W		R497,498			RK73HB1J101J	CHIP R 100 J 1/16W	
R400			RK73HB1J101J	CHIP R 100 J 1/16W		R499-505			RK73HB1J000J	CHIP R 0.0 J 1/16W	
R401			RK73HB1J330J	CHIP R 33 J 1/16W		R507-511			RK73HB1J101J	CHIP R 100 J 1/16W	
R402			RK73HB1J472J	CHIP R 4.7K J 1/16W		R512			RK73EB2E102J	CHIP R 1.0K J 1/4W	
R403-405			RK73GB2A000J	CHIP R 0.0 J 1/10W		R513,514			RK73HB1J101J	CHIP R 100 J 1/16W	
R406			RK73HB1J101J	CHIP R 100 J 1/16W		R515			RK73GB2A000J	CHIP R 0.0 J 1/10W	
R407			RK73HB1J330J	CHIP R 33 J 1/16W		R516			RK73HB1J101J	CHIP R 100 J 1/16W	
R409			RK73HB1J100J	CHIP R 10 J 1/16W		R517			RK73HB1J000J	CHIP R 0.0 J 1/16W	
R410			RK73HB1J472J	CHIP R 4.7K J 1/16W		R518			RK73HB1J471J	CHIP R 470 J 1/16W	
R411			RK73HB1J560J	CHIP R 56 J 1/16W		R519			RK73HB1J105J	CHIP R 1.0M J 1/16W	
R413			RK73HB1J000J	CHIP R 0.0 J 1/16W		R522			RK73HB1J101J	CHIP R 100 J 1/16W	
R414			RK73HB1J472J	CHIP R 4.7K J 1/16W		R523			RK73HH1J620D	CHIP R 62 D 1/16W	
R417,418			RK73HB1J101J	CHIP R 100 J 1/16W		R524			RK73HB1J101J	CHIP R 100 J 1/16W	
R421,422			RK73HB1J330J	CHIP R 33 J 1/16W		R525			RK73HH1J161D	CHIP R 160 D 1/16W	
R423-425			RK73HB1J101J	CHIP R 100 J 1/16W		R526,527			RK73HB1J101J	CHIP R 100 J 1/16W	
R426,427			RK73HB1J000J	CHIP R 0.0 J 1/16W		R529			RK73HH1J430D	CHIP R 43 D 1/16W	

K: DNX9960 K1: DNX7160 K2: DNX7020EX K3: DDX896 (North America)
R1: DDX8046BT (Latin America)

⚠ indicates safety critical components.

PARTS LIST

VIDEO UNIT(X35-5070-10)

Ref.No.	A d d	N e w	Parts No.	Description	Dest inati on
R530			RK73HB1J103J	CHIP R 10K J 1/16W	
R531			RK73HB1J470J	CHIP R 47 J 1/16W	
R532			RK73HB1J101J	CHIP R 100 J 1/16W	
R533,534			RK73HB1J560J	CHIP R 56 J 1/16W	
R535			RK73HH1J390D	CHIP R 39 D 1/16W	
R536			RK73HH1J101D	CHIP R 100 D 1/16W	
R537			RK73HH1J161D	CHIP R 160 D 1/16W	
R538			RK73HH1J101D	CHIP R 100 D 1/16W	
R539			RK73HH1J390D	CHIP R 39 D 1/16W	
R540			RK73HH1J430D	CHIP R 43 D 1/16W	
R541			RK73HH1J161D	CHIP R 160 D 1/16W	
R542			RK73HH1J131D	CHIP R 130 D 1/16W	
R543-547			RK73HB1J000J	CHIP R 0.0 J 1/16W	
R549			RK73HH1J822D	CHIP R 8.2K D 1/16W	
R550			RK73HH1J123D	CHIP R 12K D 1/16W	
R551			RK73HH1J472D	CHIP R 4.7K D 1/16W	
R552,553			RK73HB1J820J	CHIP R 82 J 1/16W	
R554			RK73HB1J472J	CHIP R 4.7K J 1/16W	
R555			RK73HH1J123D	CHIP R 12K D 1/16W	
R556			RK73HB1J000J	CHIP R 0.0 J 1/16W	
R557			RK73HB1J472J	CHIP R 4.7K J 1/16W	
R558-560			RK73HB1J000J	CHIP R 0.0 J 1/16W	
R561			RK73GB2A100J	CHIP R 10 J 1/10W	
R562,563			RK73HH1J391D	CHIP R 390 D 1/16W	
R565			RK73HH1J391D	CHIP R 390 D 1/16W	
R566,567			RK73HH1J131D	CHIP R 130 D 1/16W	
R569			RK73HH1J131D	CHIP R 130 D 1/16W	
R570			RK73GB2A000J	CHIP R 0.0 J 1/10W	
R571			RK73HB1J000J	CHIP R 0.0 J 1/16W	
R572			RK73HH1J103D	CHIP R 10K D 1/16W	
D1			RKZ3.9KG(B2)	ZENER DIODE	
D2			EC31QS04AG	DIODE	
D3			RB521S-30	DIODE	
D4			EC31QS04AG	DIODE	
D5 ,6			RB521S-30	DIODE	
D100			EP05Q06	DIODE	
D101-103			EP05Q04	DIODE	
D105			MC2850-T111	DIODE	
D107			MC2850-T111	DIODE	
D200			EC31QS04AG	DIODE	
D202			RKZ3.9KG(B2)	ZENER DIODE	
D300,301			MC2850-T111	DIODE	
D302-305			CVL10C270M300	VARIATOR	
D306			CVS10A120M	VARIATOR	
D307-309			CVL10C270M300	VARIATOR	
D311-314			CVS10A180M	VARIATOR	
D315-319			CVS10A120M	VARIATOR	
D322			CVS10A120M	VARIATOR	
D406-416			CVL10C270M300	VARIATOR	
IC1			TC7SH125FU-F	MOS-IC	
IC2			LT3508EFE-PBF	ANALOGUE IC	
IC3			BA00DD0WHFP	ANALOGUE IC	
IC4			XC6219B332PR	ANALOGUE IC	
IC5			XC6219B182PR	ANALOGUE IC	
IC6		*	TC7SH17FU-F	MOS-IC	

Ref.No.	A d d	N e w	Parts No.	Description	Dest inati on
IC100			LT1947-PBF	ANALOGUE IC	
IC101		*	XC6213B332N-G	ANALOGUE IC	
IC200			LT3598EFE-F	ANALOGUE IC	
IC201		*	TC7SH17FU-F	MOS-IC	
IC202,203			TC7SH08FU-F	MOS-IC	
IC300		*	XC6213B332N-G	ANALOGUE IC	
IC400			AT25DF161	ROM IC	
IC401			MST7703-A-LF	MOS-IC	
IC402			NJM2107F-ZB	ANALOGUE IC	
IC403			M12L641645TR	DRAM IC	
Q1			2SC4081	TRANSISTOR	
Q3 ,4			RT1N144U-T111	TRANSISTOR	
Q5			CPH3105-E	TRANSISTOR	
Q6			2SC4617	TRANSISTOR	
Q100			2SA1577	TRANSISTOR	
Q101			2SA1576A	TRANSISTOR	
Q102			RT1N144U-T111	TRANSISTOR	
Q103			RT1P144U-T111	TRANSISTOR	
Q107			2SA1577	TRANSISTOR	
Q108			2SC4081	TRANSISTOR	
Q109			2SA1576A	TRANSISTOR	
Q110			2SC4081	TRANSISTOR	
Q111,112			RT1N144U-T111	TRANSISTOR	
Q113			RT1P144U-T111	TRANSISTOR	
Q114			2SC4081	TRANSISTOR	
Q115			2SC4097	TRANSISTOR	
Q116			2SC4081	TRANSISTOR	
Q117			2SA1576A	TRANSISTOR	
Q201			2SC4081	TRANSISTOR	
Q202			CPH3105-E	TRANSISTOR	
Q203			2SC4617	TRANSISTOR	
Q204			RT1P144M-T111	TRANSISTOR	
Q205			2SC4617	TRANSISTOR	
Q300			RT1N144U-T111	TRANSISTOR	
Q301			2SB1689	TRANSISTOR	
Q307			2SC4081	TRANSISTOR	
Q309			RT1N144U-T111	TRANSISTOR	
Q310			RT1P144U-T111	TRANSISTOR	
Q311			2SC4081	TRANSISTOR	
Q313,314			2SC4081	TRANSISTOR	
Q400			RT1N144U-T111	TRANSISTOR	
DVD UNIT(X37-1270-00)					
C3			CK73HB1A104K	CHIP C 0.10UF K	
C5 -7			CK73HB1E103K	CHIP C 0.010UF K	
C11			CK73HB1E103K	CHIP C 0.010UF K	
C14			CK73FB0J106K	CHIP C 10UF K	
C15			CK73HB1A104K	CHIP C 0.10UF K	
C16			CK73FB0J106K	CHIP C 10UF K	
C17			CK73GB0J475K	CHIP C 4.7UF K	
C18			CK73FB0J226M	CHIP C 22UF M	
C63			CK73FB0J226M	CHIP C 22UF M	
C72			CK73HB1A104K	CHIP C 0.10UF K	
C73			CK73FB0J106K	CHIP C 10UF K	
C100-102			CK73HB1A104K	CHIP C 0.10UF K	

K: DNX9960 **K1:** DNX7160 **K2:** DNX7020EX **K3:** DDX896 (North America)
R1: DDX8046BT (Latin America)

indicates safety critical components.

PARTS LIST

DVD UNIT(X37-1270-00)

Ref.No.	A d d	N e w	Parts No.	Description	Dest inati on	Ref.No.	A d d	N e w	Parts No.	Description	Dest inati on
C104			CK73HB1A104K	CHIP C 0.10UF K		C807			CK73HB0J105K	CHIP C 1.0UF K	
C106,107			CK73HB1A104K	CHIP C 0.10UF K		C808			CK73HB1A104K	CHIP C 0.10UF K	
C109			CK73HB1A104K	CHIP C 0.10UF K		C809,810			CC73HCH1H471J	CHIP C 470PF J	
C111			CK73HB1C333K	CHIP C 0.033UF K		C811,812			CC73HCH1H102J	CHIP C 1000PF J	
C112,113			CK73HB1A104K	CHIP C 0.10UF K		C813,814			CK73HB1H472K	CHIP C 4700PF K	
C114			CK73GB1H562K	CHIP C 5600PF K		C815			CK73FB0J106K	CHIP C 10UF K	
C115			CK73HB1C183K	CHIP C 0.018UF K		C816-819			CC73HCH1H102J	CHIP C 1000PF J	
C117			CK73HB1A104K	CHIP C 0.10UF K		C821,822			CC73HCH1H102J	CHIP C 1000PF J	
C118			CK73HB0J105K	CHIP C 1.0UF K		CN1			E41-2594-05	FLAT CABLE CONNECTOR	
C120,121			CK73HB1A104K	CHIP C 0.10UF K		CN3			E41-2596-05	FLAT CABLE CONNECTOR	
C122			CK73GB0J475K	CHIP C 4.7UF K		CN6			E41-2603-05	FLAT CABLE CONNECTOR	
C126-129			CK73HB1A104K	CHIP C 0.10UF K		L5			L92-0611-05	CHIP FERRITE	
C130-133			CC73HCH1H151J	CHIP C 150PF J		L12 -14			L92-0365-05	CHIP FERRITE	
C134			CC73HCH1H102J	CHIP C 1000PF J		L15			L33-2280-05	SMALL FIXED INDUCTOR	
C137,138			CK73HB0J105K	CHIP C 1.0UF K		X2	*		L77-3830-05	CRYSTAL RESONATOR(27MHZ)	
C143,144			CC73HCH1H100D	CHIP C 10PF D		CP59			RK74HB1J103J	CHIP-COM 10K J 1/16W	
C145-149			CK73HB1A104K	CHIP C 0.10UF K		CP61			RK74HB1J103J	CHIP-COM 10K J 1/16W	
C153,154			CK73HB1A104K	CHIP C 0.10UF K		CP66			RK74HB1J103J	CHIP-COM 10K J 1/16W	
C158			CK73HB1A104K	CHIP C 0.10UF K		CP68			RK74HB1J470J	CHIP-COM 47 J 1/16W	
C167-169			CK73GB0J475K	CHIP C 4.7UF K		CP69			RK74HB1J101J	CHIP-COM 100 J 1/16W	
C200-203			CK73FB0J106K	CHIP C 10UF K		R2 -4			RK73HB1J103J	CHIP R 10K J 1/16W	
C207,208			CK73HB1A104K	CHIP C 0.10UF K		R10			RK73HB1J163J	CHIP R 16K J 1/16W	
C271			CC73HCH1H102J	CHIP C 1000PF J		R16			RK73HB1J103J	CHIP R 10K J 1/16W	
C272			CK73HB0J105K	CHIP C 1.0UF K		R17			RK73HB1J271J	CHIP R 270 J 1/16W	
C302			CK73FB0J106K	CHIP C 10UF K		R19			RK73HB1J301J	CHIP R 300 J 1/16W	
C306			CK73GB0J475K	CHIP C 4.7UF K		R21 ,22			RK73HB1J103J	CHIP R 10K J 1/16W	
C434			CK73FB0J106K	CHIP C 10UF K		R80			RK73HB1J220J	CHIP R 22 J 1/16W	
C435			CK73HB1E103K	CHIP C 0.010UF K		R81			RK73HB1J470J	CHIP R 47 J 1/16W	
C443			CK73FB0J226M	CHIP C 22UF M		R84 ,85			RK73HB1J202J	CHIP R 2.0K J 1/16W	
C445			CK73FB0J226M	CHIP C 22UF M		R86			RK73HB1J105J	CHIP R 1.0M J 1/16W	
C450			CK73HB1A104K	CHIP C 0.10UF K		R87			RK73HB1J102J	CHIP R 1.0K J 1/16W	
C454,455			CK73HB1A104K	CHIP C 0.10UF K		R89			RK73HH1J303D	CHIP R 30K D 1/16W	
C461			CK73HB1H472K	CHIP C 4700PF K		R90			RK73HB1J223J	CHIP R 22K J 1/16W	
C462			CK73HB1E103K	CHIP C 0.010UF K		R92			RK73HH1J123D	CHIP R 12K D 1/16W	
C467			CC73HCH1H121J	CHIP C 120PF J		R94			RK73HH1J512D	CHIP R 5.1K D 1/16W	
C468,469			CK73HB1A104K	CHIP C 0.10UF K		R112,113			RK73HB1J101J	CHIP R 100 J 1/16W	
C476			CC73HCH1H101J	CHIP C 100PF J		R116			RK73HB1J103J	CHIP R 10K J 1/16W	
C477			CK73FB0J226M	CHIP C 22UF M		R119			RK73HB1J103J	CHIP R 10K J 1/16W	
C479			CK73FB0J226M	CHIP C 22UF M		R150,151			RK73HB1J100J	CHIP R 10 J 1/16W	
C480			CK73HB1A104K	CHIP C 0.10UF K		R152,153			RK73HB1J471J	CHIP R 470 J 1/16W	
C498			CK73FB0J226M	CHIP C 22UF M		R154,155			RK73HB1J751J	CHIP R 750 J 1/16W	
C510			CC73HCH1H102J	CHIP C 1000PF J		R156,157			RK73HB1J560J	CHIP R 56 J 1/16W	
C511			CK73GB0J475K	CHIP C 4.7UF K		R158,159			RK73HB1J2R2J	CHIP R 2.2 J 1/16W	
C521			CK73HB1A104K	CHIP C 0.10UF K		R162,163			RK73HB1J104J	CHIP R 100K J 1/16W	
C531-551			CK73HB1A104K	CHIP C 0.10UF K		R164,165			RK73HH1J101D	CHIP R 100 D 1/16W	
C552			CK73FB0J226M	CHIP C 22UF M		R200			RK73HH1J201D	CHIP R 200 D 1/16W	
C553			CK73HB0J105K	CHIP C 1.0UF K		R206			RK73HH1J151D	CHIP R 150 D 1/16W	
C554			CK73FB0J106K	CHIP C 10UF K		R400,401			RK73HB1J470J	CHIP R 47 J 1/16W	
C557			CC73HCH1H680J	CHIP C 68PF J		R409			RK73HB1J470J	CHIP R 47 J 1/16W	
C558-560			CK73HB1A104K	CHIP C 0.10UF K		R410,411			RK73HB1J102J	CHIP R 1.0K J 1/16W	
C561			CK73HB0J105K	CHIP C 1.0UF K		R470			RK73HB1J103J	CHIP R 10K J 1/16W	
C563			CK73HB1A104K	CHIP C 0.10UF K		R475			RK73GB2A2R2J	CHIP R 2.2 J 1/10W	
C566			CK73FB0J226M	CHIP C 22UF M		R476			RK73GB2A4R7J	CHIP R 4.7 J 1/10W	
C567			CK73HB0J105K	CHIP C 1.0UF K		R478			RK73HH1J472D	CHIP R 4.7K D 1/16W	
C805			CC73HCH1H102J	CHIP C 1000PF J							

K: DNX9960 K1: DNX7160 K2: DNX7020EX K3: DDX896 (North America)

R1: DDX8046BT (Latin America)

⚠ indicates safety critical components.

PARTS LIST

DVD UNIT(X37-1270-00)

Ref.No.	A d d	N e w	Parts No.	Description	Dest inati on
R481			RK73HH1J203D	CHIP R 20K D 1/16W	
R485,486			RK73HB1J102J	CHIP R 1.0K J 1/16W	
R487			RK73HB1J103J	CHIP R 10K J 1/16W	
R497			RK73HB1J102J	CHIP R 1.0K J 1/16W	
R501			RK73HH1J132D	CHIP R 1.3K D 1/16W	
R502			RK73HH1J333D	CHIP R 33K D 1/16W	
R503			RK73HH1J203D	CHIP R 20K D 1/16W	
R504			RK73HB1J242J	CHIP R 2.4K J 1/16W	
R505			RK73HB1J821J	CHIP R 820 J 1/16W	
R511			RK73HB1J473J	CHIP R 47K J 1/16W	
R512			RK73HB1J103J	CHIP R 10K J 1/16W	
R523,524			RK73HB1J4R7J	CHIP R 4.7 J 1/16W	
R588			RK73GB2A4R7J	CHIP R 4.7 J 1/10W	
R591			RK73HB1J820J	CHIP R 82 J 1/16W	
R615			RK73HB1J1R0J	CHIP R 1.0 J 1/16W	
R621			RK73HB1J103J	CHIP R 10K J 1/16W	
R622			RK73HB1J333J	CHIP R 33K J 1/16W	
R630			R92-3416-05	MG-R 0.27 1/2W	
R634			RK73HB1J103J	CHIP R 10K J 1/16W	
R651			RK73HB1J102J	CHIP R 1.0K J 1/16W	
R653			RK73HB1J102J	CHIP R 1.0K J 1/16W	
R654-656			RK73HB1J330J	CHIP R 33 J 1/16W	
R659			RK73HB1J103J	CHIP R 10K J 1/16W	
R660			RK73HB1J000J	CHIP R 0.0 J 1/16W	
R675			RK73HH1J151D	CHIP R 150 D 1/16W	
R679			RK73HH1J151D	CHIP R 150 D 1/16W	
R688			RK73HH1J124D	CHIP R 120K D 1/16W	
R689			RK73HH1J274D	CHIP R 270K D 1/16W	
R694-696			RK73HB1J103J	CHIP R 10K J 1/16W	
R697			RK73HB1J153J	CHIP R 15K J 1/16W	
R698			RK73HB1J682J	CHIP R 6.8K J 1/16W	
R699			RK73GH2A111D	CHIP R 110 D 1/10W	
R700			RK73HH1J102D	CHIP R 1.0K D 1/16W	
R701			RK73HH1J202D	CHIP R 2.0K D 1/16W	
R707			RK73HB1J103J	CHIP R 10K J 1/16W	
R712			RK73HB1J103J	CHIP R 10K J 1/16W	
R713			RK73HB1J822J	CHIP R 8.2K J 1/16W	
R803-805			RK73HH1J181D	CHIP R 180 D 1/16W	
R806			RK73HH1J151D	CHIP R 150 D 1/16W	
R807,808			RK73HB1J123J	CHIP R 12K J 1/16W	
R809,810			RK73HB1J682J	CHIP R 6.8K J 1/16W	
R811,812			RK73HB1J122J	CHIP R 1.2K J 1/16W	
R813			RK73HB1J103J	CHIP R 10K J 1/16W	
R815,816			RK73HB1J221J	CHIP R 220 J 1/16W	
R817,818			RK73HB1J471J	CHIP R 470 J 1/16W	
R823,824			RK73HB1J4R7J	CHIP R 4.7 J 1/16W	
S1			S68-0911-15	PUSH SWITCH	
S2			S68-0917-05	PUSH SWITCH	
D3 ,4		*	MC2846-T111	DIODE	
IC1		*	MN2DS0016AA	MOS-IC	
IC5		-		ROM IC	
IC10			AN41250A-VB	ANALOGUE IC	
IC54			M12L1281687T	DRAM IC	

Ref.No.	A d d	N e w	Parts No.	Description	Dest inati on
IC59		*	XC9223B082A1	MOS-IC	
IC60			NJU7042	ANALOGUE IC	
IC61		*	AK4387ET	MOS-IC	
IC64		*	THS7316D	MOS-IC	
IC65			MM1671XNRE	ANALOGUE IC	
Q1 ,2		*	RT1P432U-T111	TRANSISTOR	
Q4		*	RT1P432U-T111	TRANSISTOR	
Q10 ,11		*	2SC5383-T1(F)	TRANSISTOR	
Q12 ,13			2SB1709	TRANSISTOR	
Q14 ,15			2SK3019	FET	
Q32			SSM3J15FU-F	FET	
DVD MECHANISM ASSY(X92-6500-00) (DVS-8700W)					
1	1A		A10-5523-11+	CHASSIS	
2	2B		A10-5524-01+	CHASSIS	
3	1A		A10-5535-01	CHASSIS	
4	3A		A10-5534-12	CHASSIS	
7	1B		D10-7080-02+	ARM	
8	1B		D10-7081-02+	ARM	
9	1B		D10-7082-02+	LEVER	
10	1B		D10-7083-02+	LEVER	
12	2B		D10-7084-02+	SLIDER	
13	2A		D10-7085-02+	ARM	
14	2B		D10-7086-03+	ARM	
15	2B		D10-7087-02+	ARM	
25	2B		D10-7092-04+	SLIDER ASSY	
27	2A		D10-7091-04+	LEVER	
28	2B		D12-0640-02+	CAM	
31	2B		D13-3029-04+	GEAR	
32	2B		D13-3030-04+	GEAR	
33	2B		D13-3031-04+	GEAR	
34	2B		D13-3032-04+	GEAR	
35	2B		D13-3033-04+	GEAR	
36	2B		D13-3034-04+	GEAR	
40	2A		D13-3038-04+	GEAR	
41	2A		D13-3039-04+	GEAR	
42	2A		D13-3040-04+	GEAR	
43	1B		D14-1034-04+	ROLLER	
53	1B		D21-2487-24+	SHAFT	
54	2A		D39-0275-05	DAMPER	
55	2A		D39-0276-05	DAMPER	
60	3A	*	F09-3037-03	SHEET	
65	2B		G01-4734-04	EXTENSION SPRING	
66	1B		G01-4735-14	EXTENSION SPRING	
67	2A		G01-3300-14+	TORSION COIL SPRING	
68	2B		G01-4737-14	EXTENSION SPRING	
69	1B		G01-4602-14+	EXTENSION SPRING	
70	1B		G01-4740-04	TORSION COIL SPRING	
74	2B		G01-4609-24+	TORSION COIL SPRING	
75	1B		G02-1904-03+	FLAT SPRING	
79	2A		J22-0898-01	MOUNTING HARDWARE	
80	3B		J22-0891-11+	MOUNTING HARDWARE	
A	1A		N09-6815-05	MACHINE SCREW (M1.7X2.0)	

K: DNX9960 K1: DNX7160 K2: DNX7020EX K3: DDX896 (North America)
R1: DDX8046BT (Latin America)


▲ indicates safety critical components.

PARTS LIST

DVD MECHANISM ASSY(X92-6500-00) (DVS-8700W)

Ref.No.	A d d	N e w	Parts No.	Description	Dest inati on	Ref.No.	A d d	N e w	Parts No.	Description	Dest inati on
B	3B		N09-6408-15	TAPTITE SCREW (1.7X4.0 PT)							
C	1B		N09-6426-15	MACHINE SCREW (LOAD ARM)							
D	3A		N09-6104-05	MACHINE SCREW (2X10 S-TITE)							
93	2A		T99-0471-05	MAGNET							
96	1B		X94-2080-00	ROLLER ASSY							
98	2A		X94-2120-00	TRAVERSE ASSY (PICKUP,SPINDLE)							
VM1	2A		X94-2070-00	MOTOR ASSY (LOADING)							

K: DNX9960 **K1:** DNX7160 **K2:** DNX7020EX **K3:** DDX896 (North America)
R1: DDX8046BT (Latin America)

 indicates safety critical components.