

KENWOOD

PARTS LIST

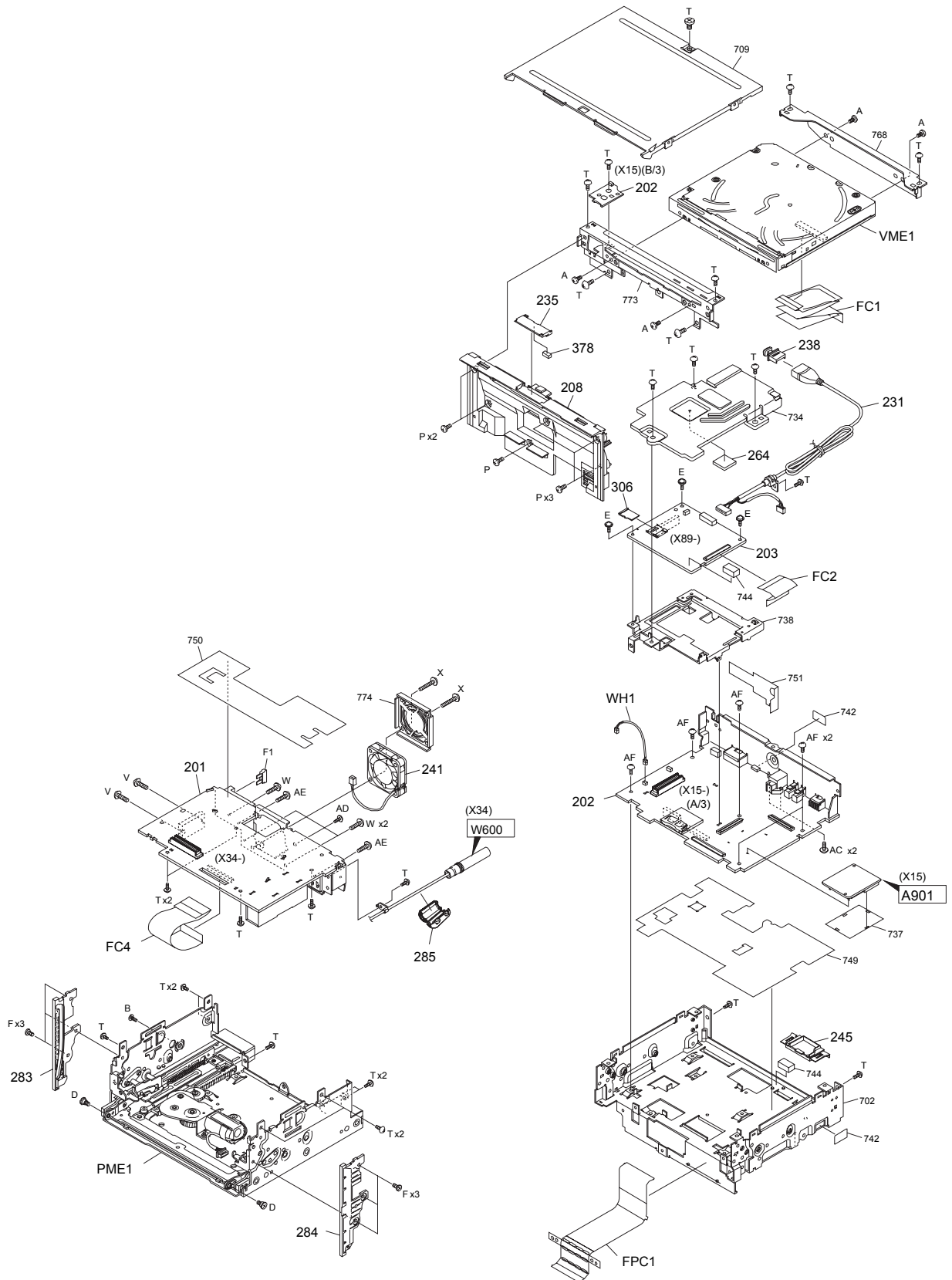
GPS NAVIGATION SYSTEM

DNX7190HD

DNX9990HD

EXPLODED VIEW (UNIT)

Block No.200



Parts with the exploded numbers larger than 700 are not supplied.

MODEL	MARK	MODEL	MARK
DNX7190HD	K0	DNX9990HD	K1

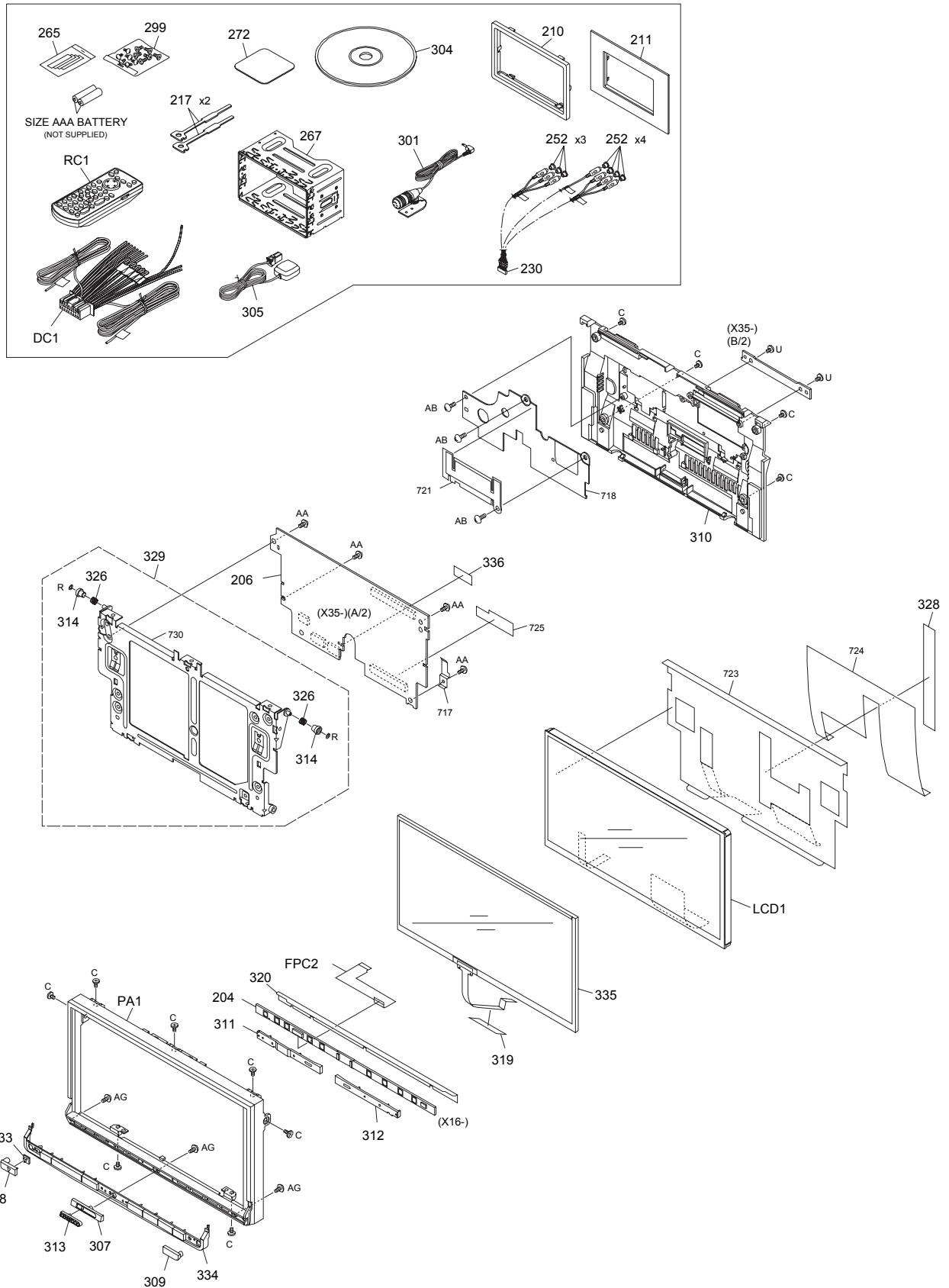
Safe	Symbol No.	Parts No.	Parts Name	Description	QTY	Local
------	------------	-----------	------------	-------------	-----	-------

EXPLODED VIEW (UNIT) <200>

△	F1	F52-0024-05	FUSE(MINI BLADE TYPE)	32V 15A	1	
	FC1	E39-1193-05	FLAT CABLE	50PIN X15 DVD	1	
	FC2	E39-1257-05	FLAT CABLE	X15 X34 60P	1	
	FC4	E39-1256-05	FLAT CABLE	X15 X88 60P	1	
	FPC1	J86-0087-05	FPC(LEAD FREE)	X35/X17-X15 70PIN	1	
	PME1	A10-5582-01	PANEL MECHA ASSY		1	
	VME1	X92-6640-04	DVD MECHANISM ASSY	DVS-8714W	1	
	WH1	E39-1127-05	WIRING HARNESS	2PIN	1	
	A	N09-6851-05	MACHINE SCREW		4	
	B	N09-6425-15	MACHINE SCREW	M3.0x5	1	
	D	N09-6490-05	STEPPED SCREW	PANEL SCREW	2	
	E	N09-6848-15	TAPTITE SCREW		3	
	F	N09-6493-05	MACHINE SCREW	M2.6x5	6	
	P	N86-2608-43	BINDING HEAD TAPTITE	2.6x8	6	
	T	N86-2606-48	SCREW			
	T	N86-2606-48	BINDING HEAD TAPTITE	2.6x6	27	
	V	N86-2610-48	SCREW			
	V	N86-2610-48	BINDING HEAD TAPTITE		2	
	W	N83-3008-48	SCREW			
	W	N83-3008-48	PAN HEAD TAPTITE		3	
	X	N84-2614-48	SCREW			
	X	N84-2614-48	PAN HEAD TAPTITE	2.6x14	2	
	AC	N89-3006-48	SCREW			
	AC	N89-3006-48	BINDING HEAD TAPTITE	3x6	2	
	AD	N86-2606-48	SCREW			
	AD	N86-2606-48	BINDING HEAD TAPTITE	2.6x6	1	
	AE	N84-2614-48	SCREW			
	AE	N84-2614-48	PAN HEAD TAPTITE	2.6x14	2	
	AF	GE40377-002A	SCREW		5	
	201	X34-7220-12	ELECTRIC UNIT		1	K0
	201	X34-7220-10	ELECTRIC UNIT		1	K1
	202	X15-1610-12	VIDEO CONTROL UNIT		1	K0
	202	X15-1610-10	VIDEO CONTROL UNIT		1	K1
	203	X89-3100-10	DAUGHTER UNIT		1	K0
	203	X89-3100-12	DAUGHTER UNIT		1	K1
	208	A22-3324-01	SUB PANEL ASSY		1	K0
	208	A22-3331-01	SUB PANEL ASSY		1	K1
	231	E30-8262-05	USB CABLE	1P USB	1	K0
	231	E30-8263-05	USB CABLE	2P USB	1	K1
	235	F07-2224-03	COVER		1	
	238	F09-2929-04	USB CAP		1	
	241	F09-3070-05	FAN	5V	1	
	245	F19-1845-03	HOLE CAP		1	
	264	G16-1750-14	SHEET		1	
	283	J90-1197-01	RAIL		1	
	284	J90-1198-01	RAIL		1	
	285	L92-0638-05	FERRITE CORE		1	
	306	W02-5541-15	IC MEMORY CARD	4GB	1	
	378	G11-3845-04	CUSHION		1	

EXPLODED VIEW (DISPLAY ASSY)

Block No.200A



Parts with the exploded numbers larger than 700 are not supplied.

MODEL	MARK	MODEL	MARK
DNX7190HD	K0	DNX9990HD	K1

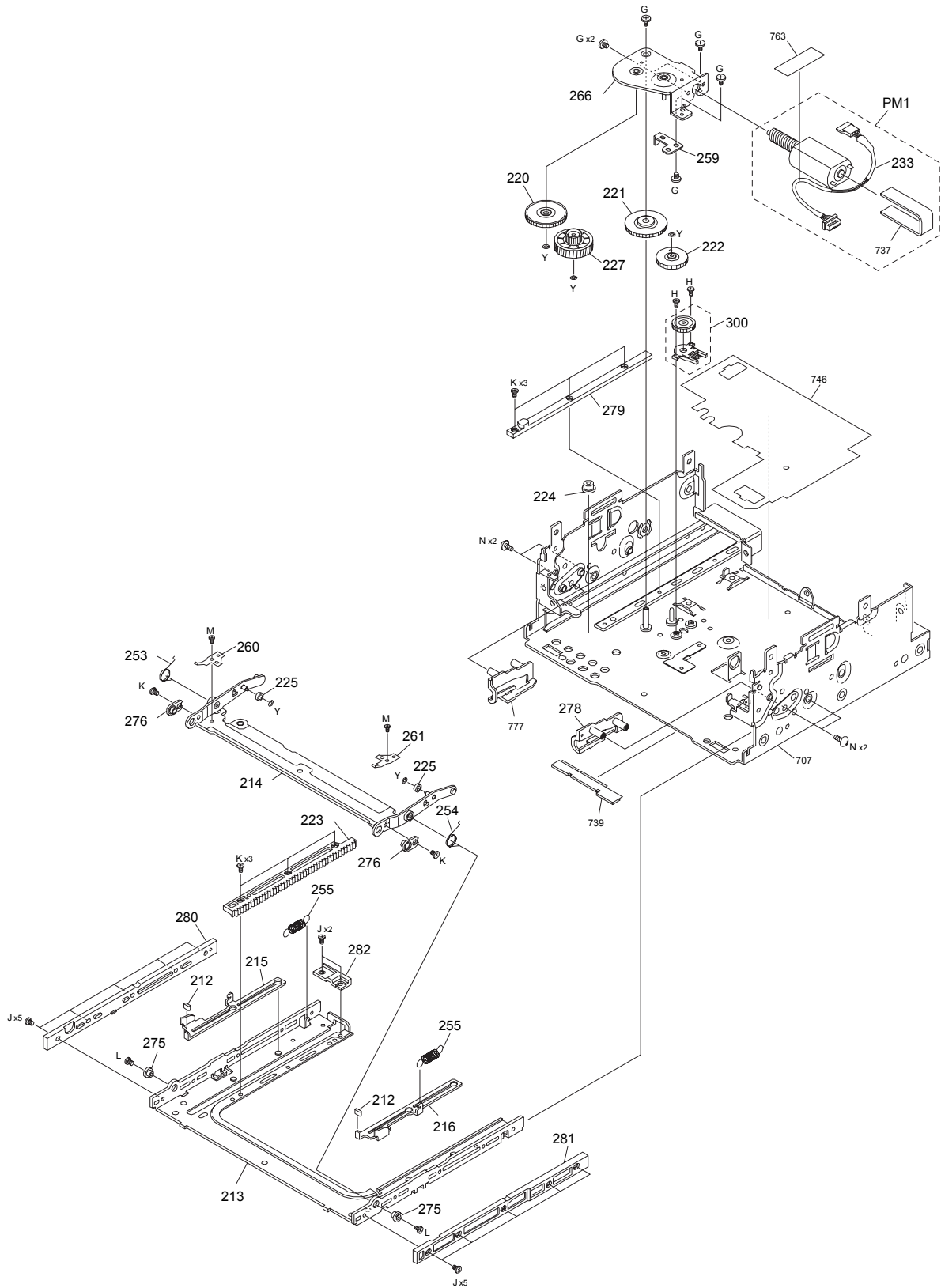
Safe	Symbol No.	Parts No.	Parts Name	Description	QTY	Local
------	------------	-----------	------------	-------------	-----	-------

EXPLODED VIEW (DISPLAY ASSY) <200A>

	DC1	E30-8261-05	DC CORD		1	
	FPC2	QAL1372-001	FPC	X16X35 14PIN	1	
	LCD1	B38-1222-05	LCD	6.95INCH	1	
	PA1	A64-5321-11	PANEL		1	K0
	PA1	A64-5326-11	PANEL		1	K1
	RC1	A70-2107-05	REMOTE CONTROLLER RC-DV331 ASSY		1	
	C	N09-6489-05	MACHINE SCREW	M2.0x3.0	11	
	R	N19-2332-04	FLAT WASHER		2	
	U	N82-2005-48	BINDING HEAD TAPTITE 2x5 SCREW		2	
	AA	N35-2003-48	BINDING HEAD	M2x3	4	
	AB	N82-2006-43	MACHINE SCREW			
			BINDING HEAD TAPTITE 2x6 SCREW		3	
	AG	N09-6904-05	TAPTITE SCREW		3	
	204	X16-7310-10	SWITCH UNIT		1	
	206	X35-5190-10	VIDEO UNIT		1	
	210	B07-3224-31	ESCUTCHEON		1	
	211	B07-3363-02	ESCUTCHEON		1	
	217	D10-7012-04	LEVER		2	
	230	E30-6985-05	CORD WITH PINPLUG		1	
	252	F29-0626-04	INSULATING COVER		7	
	265	H30-0595-04	ADHESIVE DOUBLE-COATED TAPE		1	
	267	J22-0657-13	MOUNTING HARDWARE ASSY		1	
	272	J22-0964-04	MOUNTING HARDWARE GPS PLATE		1	
	299	N99-1779-15	SCREW SET		1	
	301	W01-1768-15	MICROPHONE		1	
	304	W01-2029-05	COMPACT DISC		1	K0
	304	W01-2030-05	COMPACT DISC		1	K1
	305	W02-5304-05	ANTENNA MODULE (GPS)		1	
	307	A21-6846-03	DRESSING PANEL		1	
	308	A21-6847-03	DRESSING PANEL		1	
	309	A21-6848-03	DRESSING PANEL		1	
	310	A46-1910-21	REAR COVER		1	
	311	B11-2064-13	OPTICAL DIFFUSER		1	
	312	B11-2065-13	OPTICAL DIFFUSER		1	
	313	B43-1518-04	BADGE		1	
	314	D14-1024-04	ROLLER		2	
	319	F09-2970-04	SHEET	X35	1	
	320	F09-3107-04	SHEET		1	
	326	G01-4659-04	COMPRESSION SPRING		2	
	328	G16-1749-04	SHEET		1	
	329	J22-0922-12	MOUNTING HARDWARE ASSY		1	
	333	K24-5150-14	PUSH KNOB (RESET)		1	
	334	K28-0473-11	KNOB ASSY		1	K0
	334	K28-0474-11	KNOB ASSY		1	K1
	335	S79-0889-05	SWITCH ASSY	6.95INCH	1	
	336	F09-2970-04	SHEET	X35	1	
	-	B59-2098-00	SUB-INSTRUCTION MANUAL	ENG SPA	1	K0
	-	B59-2099-00	SUB-INSTRUCTION MANUAL	FRE	1	K0
	-	B59-2108-00	SUB-INSTRUCTION MANUAL	ENG FRE SPA	1	K1
	-	H54-5122-03	ITEM CARTON CASE		1	K0
	-	H54-5203-03	ITEM CARTON CASE		1	K1

EXPLODED VIEW (PANEL MECHA ASSY)

Block No.100



Parts with the exploded numbers larger than 700 are not supplied.

MODEL	MARK	MODEL	MARK
DNX7190HD	K0	DNX9990HD	K1

Safe	Symbol No.	Parts No.	Parts Name	Description	QTY	Local
------	------------	-----------	------------	-------------	-----	-------

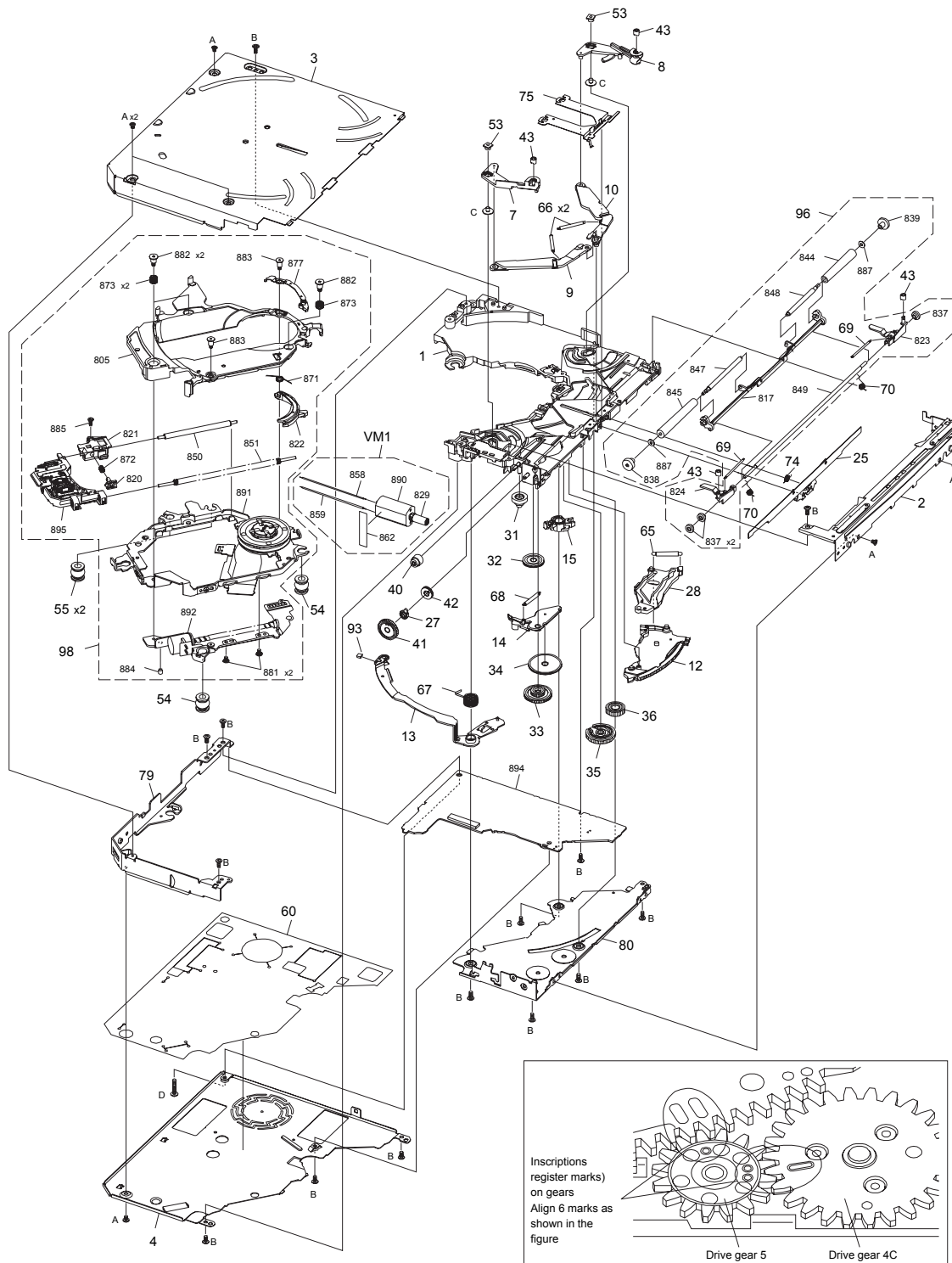
EXPLODED VIEW (PANEL MECHA ASSY) <100>

	PM1	T42-1368-04	MOTOR ASSY		1	
	G	N09-6361-05	MACHINE SCREW	M2x2.5	6	
	H	N09-6363-05	MACHINE SCREW	M1.7x3.7	2	
	J	N09-6375-05	MACHINE SCREW	M2x2.5	12	
	K	N09-6376-05	MACHINE SCREW	M2x3.5	8	
	L	N09-6377-05	MACHINE SCREW	M2x2.5	2	
	M	N09-6378-05	TAPTITE SCREW	STITE 2x2	2	
	N	N09-6379-05	MACHINE SCREW	M2.6x4 BIND	4	
	Y	N19-2321-04	FLAT WASHER		5	
	212	B09-0541-04	LOCK LEVER CAP		2	
	213	D10-4895-22	BASE SLIDER C ASSY		1	
	214	D10-4897-13	RIFT ARM C ASSY		1	
	215	D10-4899-03	LOCK LEVER L		1	
	216	D10-4900-03	LOCK LEVER R		1	
	220	D13-2394-04	GEAR3		1	
	221	D13-2395-04	GEAR4		1	
	222	D13-2396-04	SENSOR GEAR2		1	
	223	D13-2397-03	RACK GEAR		1	
	224	D14-1010-04	CENTER GUIDE		1	
			ROLLER			
	225	D14-1011-14	RIFT ARM ROLLER		2	
	227	D19-0653-23	CLUTCH ASSY		1	
	233	E39-1174-05	WIRING HARNESS		1	
	253	G01-3288-04	RIFT ARM SPRING L		1	
	254	G01-3289-04	RIFT ARM SPRING R		1	
	255	G01-3290-04	LOCK LEVER SP		2	
	259	G02-1539-04	M SHAFT SP		1	
	260	G02-1544-04	PANEL FLAT SP L		1	
	261	G02-1545-04	PANEL FLAT SP R		1	
	266	J22-0444-13	MOTOR BKT C ASSY		1	
	275	J31-1075-14	ARM COLLAR		2	
	276	J31-1077-04	PANEL COLLAR		2	
	278	J90-1126-13	ARM GUIDE R C ASSY		1	
	279	J90-1128-03	CENTER-RAIL		1	
	280	J90-1129-23	SIDE-RAIL L		1	
	281	J90-1130-23	SIDE-RAIL R		1	
	282	J90-1131-03	CENTER RAIL GUIDE		1	
	300	R31-0248-05	VARIABLE RESISTOR		1	

EXPLODED VIEW (DVD MECHANISM)

Block No.150

X92-6640-04(DVS-8714W)



Parts with the exploded numbers larger than 700 are not supplied.

The parts without symbol number are not service

MODEL	MARK	MODEL	MARK
DNX7190HD	K0	DNX9990HD	K1

Safe	Symbol No.	Parts No.	Parts Name	Description	QTY	Local
------	------------	-----------	------------	-------------	-----	-------

EXPLODED VIEW (DVD MECHANISM) <150>

VM1	X94-2070-00	MOTOR ASSY (LOADING)			1	
A	N09-6815-05	MACHINE SCREW	M1.7x2.0		6	
B	N09-6408-15	TAPTITE SCREW	1.7x4.0 P-T		14	
C	N09-6426-15	LOAD ARM SCREW			2	
D	N09-6104-05	MACHINE SCREW	2x10 S-TITE		1	
1	A10-5523-11+	MAIN CHASSIS			1	
2	A10-5543-01	FRONT PANEL			1	
3	A10-5535-01	TOP CHASSIS			1	
4	A10-5534-12	BOTTOM CHASSIS			1	
7	D10-7080-02	LOAD ARM L			1	
8	D10-7081-02	LOAD ARM R			1	
9	D10-7082-02	LINK LEVER L			1	
10	D10-7083-02	LINK LEVER R			1	
12	D10-7084-02+	DRIVE CAM SLIDER			1	
13	D10-7100-02	EJECT ARM			1	
14	D10-7086-03+	SWING ARM			1	
15	D10-7087-02	TRAVERSE UP DOWN ARM			1	
25	D10-7092-04+	SHUTTER SLIDER ASSY			1	
27	D10-7091-04	LIMIT LEVER			1	
28	D12-0640-02+	DRIVE CAM			1	
31	D13-3029-04	DRIVE HELICAL GEAR			1	
32	D13-3030-04	DRIVE GEAR(1)			1	
33	D13-3031-04	DRIVE GEAR(2)			1	
34	D13-3032-04	DRIVE GEAR(3)			1	
35	D13-3033-04	DRIVE GEAR(4C)			1	
36	D13-3034-04	DRIVE GEAR(5)			1	
40	D13-3038-04	HELICAL GEAR			1	
41	D13-3039-04	ROLLER GEAR (IDLE A)			1	
42	D13-3040-04	ROLLER GEAR (IDLE B)			1	
43	D14-1034-04	LOAD ARM L ROLLER			4	
53	D21-2487-24+	LOAD ARM SHAFT			2	
54	D39-0275-05	DAMPER 50			2	
55	D39-0276-05	DAMPER 40			2	
60	F09-3037-03	BOTTOM SHEET IN V			1	
65	G01-4734-04	DRIVE CAM SPRING			1	
66	G01-4735-14	LINK SPRING			2	
67	G01-3300-14+	EJECT ARM SPRING			1	
68	G01-4737-14	SWING ARM SPRING			1	
69	G01-4602-14+	DETECT SLIDER SPRING			2	
70	G01-4740-04	FLIP PRESSURE L			2	
74	G01-4609-24+	SHUTTER ARM SPRING			1	
75	G02-1904-03+	SPRING COVER			1	
79	J22-0898-01	MAIN CHASSIS BKT			1	
80	J22-0891-11+	GEAR BLK			1	
93	T99-0471-05	P.C.MAGNET			1	
96	X94-2080-00	ROLLER ASSY			1	
98	X94-2120-00	TRAVERSE ASSY (PICKUP SPINDLE)			1	

VIDEO CONTROL UNIT (X15-1610-1x) <X15>

IC31	-	MOS-IC	Replacement can not TPS54240DGQR		1	
IC32	TC7SZ125FU-F	MOS-IC			1	
IC51	-	MOS-IC	Replacement can not BD9876EFJ		1	
IC81	AN33012UA-VB	ANALOGUE IC			1	
IC131	XC6220B18BP-G	ANALOGUE IC	1.85V 1A		1	
IC142	XC6220B18BP-G	ANALOGUE IC	1.85V 1A		1	
IC143	XC6503D331P-G	MOS-IC	3.3V 0.5A		1	
IC171	BA00DD0WHP	ANALOGUE IC	1.5-16V 2A 2.3W		1	
IC181	XC6503D501P-G	MOS-IC	5.0V 0.5A		1	
IC201	W10-0751-08	MICROCONTROLLER IC	F3651KDFC		1	
IC202	XC6213B332N-G	ANALOGUE IC	3.3V		1	
IC203	W05-1548-00	ROM IC	M24C08-RDW6TP		1	
IC204	TC7SZ125FU-F	MOS-IC	LEAD FREE		1	K1
IC205	XC6120N302N-G	MOS-IC	3V		1	
IC206	TC7SH08FU-F	MOS-IC			1	
IC207	BH7673G	ANALOGUE IC			1	
IC400	XC6213B332N-G	ANALOGUE IC	3.3V		1	K1
IC401	WM8974GEFL/RV	MOS-IC			1	K1
IC402	AK4388AET2P	MOS-IC			1	
IC403	AK4388AET2P	MOS-IC			1	
IC404	XC6209B502P1	ANALOGUE IC	5.0V LF		1	
IC500	TC7SH17FU-F	MOS-IC			1	
IC520	BD00C0AWFP	ANALOGUE IC	3.0V-15V 1A		1	K1
IC521	BD00C0AWFP	ANALOGUE IC	3.0V-15V 1A		1	
IC522	XC6120N412N-G	MOS-IC	4.1V		1	K1
IC523	XC6120N412N-G	MOS-IC	4.1V		1	
IC580	XC6223B331P-G	ANALOGUE IC	3.3V		1	
IC700	AN15886A-VF	MOS-IC	VIDEO SEL		1	
IC900	BA4560RF	ANALOGUE IC			1	
IC903	XC6223B181P-G	ANALOGUE IC	1.8V		1	
IC904	XC6223B331P-G	ANALOGUE IC	3.3V		1	
Q1	LSAR523EBFS8	TRANSISTOR			1	
Q2	LTC044EEBFS8	TRANSISTOR	R2/R1:47K/47K NPN		1	
Q3	LSAR523EBFS8	TRANSISTOR			1	
Q4	TPC8110-F	FET			1	
Q5	2SC4617	TRANSISTOR			1	
Q6	2SA1774	TRANSISTOR			1	
Q7	LTA014TUBFS8	TRANSISTOR	R2/R1:-10K PNP		1	

MODEL	MARK	MODEL	MARK
DNX7190HD	K0	DNX9990HD	K1

Safe	Symbol No.	Parts No.	Parts Name	Description	QTY	Local
	Q8	2SC4617	TRANSISTOR		1	
	Q9	2SA1774	TRANSISTOR		1	
	Q10	LSCR523EBFS8	TRANSISTOR		1	
	Q11	LTC014YUBFS8	TRANSISTOR	R2/R1:47K/10K NPN	1	
	Q12	LTC044EUBFS8	TRANSISTOR	R2/R1:47K/47K NPN	1	
	Q13	LTA014EUBFS8	TRANSISTOR	R2/R1:10K/10K PNP	1	
	Q14	LTC044EUBFS8	TRANSISTOR	R2/R1:47K/47K NPN	1	
	Q15	LTC044EUBFS8	TRANSISTOR	R2/R1:47K/47K NPN	1	
	Q21	LSAR523EBFS8	TRANSISTOR		1	
	Q22	LTC044EEBFS8	TRANSISTOR	R2/R1:47K/47K NPN	1	
	Q23	LSAR523EBFS8	TRANSISTOR		1	
	Q24	RT1E040RP	FET	PCH MOS	1	
	Q31	LTC043TUBFS8	TRANSISTOR	R2/R1:-/4.7K NPN	1	
	Q32	LTC044EEBFS8	TRANSISTOR	R2/R1:47K/47K NPN	1	
	Q33	LSCR523EBFS8	TRANSISTOR		1	
	Q51	LSAR523EBFS8	TRANSISTOR		1	
	Q52	LSAR523EBFS8	TRANSISTOR		1	
	Q81	MTM981400BF	FET		1	
	Q91	RT1E040RP	FET	PCH MOS	1	
	Q131	2SB1689	TRANSISTOR		1	
	Q132	LSCR523EBFS8	TRANSISTOR		1	
	Q133	LSCR523EBFS8	TRANSISTOR		1	
	Q151	CPH3105-E	TRANSISTOR		1	
	Q152	LTC014YEBFS8	TRANSISTOR	R2/R1:47K/10K NPN	1	
	Q153	2SB1689	TRANSISTOR		1	
	Q154	LTC044EEBFS8	TRANSISTOR	R2/R1:47K/47K NPN	1	
	Q161	LTA014YEBFS8	TRANSISTOR	R2/R1:47K/10K PNP	1	
	Q162	LTC044EEBFS8	TRANSISTOR	R2/R1:47K/47K NPN	1	
	Q163	LSAR523EBFS8	TRANSISTOR		1	
	Q164	RTQ025P02	FET		1	
	Q165	2SB1689	TRANSISTOR		1	
	Q166	LTC044EEBFS8	TRANSISTOR	R2/R1:47K/47K NPN	1	
	Q201	LTA014YEBFS8	TRANSISTOR	R2/R1:47K/10K PNP	1	
	Q202	SSM3K15AMFV-F	FET		1	
	Q203	SSM3K15AMFV-F	FET		1	
	Q204	LTA014YEBFS8	TRANSISTOR	R2/R1:47K/10K PNP	1	
	Q205	LSAR523EBFS8	TRANSISTOR		1	
	Q206	LTC044EEBFS8	TRANSISTOR	R2/R1:47K/47K NPN	1	
	Q207	LSAR523EBFS8	TRANSISTOR		1	
	Q208	LTA014YEBFS8	TRANSISTOR	R2/R1:47K/10K PNP	1	
	Q209	LTC044EEBFS8	TRANSISTOR	R2/R1:47K/47K NPN	1	
	Q210	2SB1689	TRANSISTOR		1	
	Q211	LTC044EEBFS8	TRANSISTOR	R2/R1:47K/47K NPN	1	
	Q212	LTC043ZEBFS8	TRANSISTOR	R2/R1:47K/4.7K NPN	1	
	Q540	LSCR523UBFS8	TRANSISTOR		1	
	Q660	LSCR523UBFS8	TRANSISTOR		1	
	Q750	LTC043TUBFS8	TRANSISTOR	R2/R1:-/4.7K NPN	1	
	Q751	LTC043TUBFS8	TRANSISTOR	R2/R1:-/4.7K NPN	1	
	Q752	LTA014YEBFS8	TRANSISTOR	R2/R1:47K/10K PNP	1	
	Q900	LTC044EEBFS8	TRANSISTOR	R2/R1:47K/47K NPN	1	
	Q901	LTA014YEBFS8	TRANSISTOR	R2/R1:47K/10K PNP	1	
	D31	RB080L-30	DIODE		1	
	D51	RB080L-30	DIODE		1	
	D52	RKZ5.6KG(B2)	Z DIODE		1	
	D71	RB080L-30	DIODE		1	
	D91	RB080L-30	DIODE		1	
	D132	RB080L-30	DIODE		1	
	D141	GS1J-LTP-X	DIODE	GS1J-LTP-X	1	
	D142	GS1J-LTP-X	DIODE	GS1J-LTP-X	1	
	D171	RKS801KF	DIODE		1	
	D181	GS1J-LTP-X	DIODE	GS1J-LTP-X	1	
	D202	MC2850-T111	DIODE		1	
	D204	MC2850-T111	DIODE		1	
	D206	B30-3210-05	LED	1608 BLUE	1	
	D400	VR1005DDA080	VARIATOR	5.5V 8V 480P	1	
	D401	VR1005DDA080	VARIATOR	5.5V 8V 480P	1	
	D520	RKS801KF	DIODE		1	K1
	D521	RKS801KF	DIODE		1	
	D660	RKZ6.2KG(B2)	Z DIODE		1	
	D661	RKZ6.2KG(B2)	Z DIODE		1	
	D662	RKZ6.2KG(B2)	Z DIODE		1	
	D663	RKZ6.2KG(B2)	Z DIODE		1	
	D664	VR1005CCA270	VARIATOR	15V 27V 15P	1	
	D665	VR1005CCA270	VARIATOR	15V 27V 15P	1	
	D666	VR1005DDA080	VARIATOR	5.5V 8V 480P	1	
	D667	RKZ6.2KG(B2)	Z DIODE		1	
	D668	RKZ6.2KG(B2)	Z DIODE		1	
	D669	VR1005CCA270	VARIATOR	15V 27V 15P	1	
	D670	VR1005CCA270	VARIATOR	15V 27V 15P	1	
	D671	VR1005AAA180	VARIATOR	10V 18V 140P	1	
	D672	VR1005AAA180	VARIATOR	10V 18V 140P	1	
	D673	VR1005DDA080	VARIATOR	5.5V 8V 480P	1	
	D674	VR1005DDA080	VARIATOR	5.5V 8V 480P	1	
	D675	VR1005DDA080	VARIATOR	5.5V 8V 480P	1	
	D750	MC2846-T111	DIODE		1	
	D809	VR1005CCA270	VARIATOR	15V 27V 15P	1	
	D810	VR1005DDA080	VARIATOR	5.5V 8V 480P	1	
	D811	VR1005CCA270	VARIATOR	15V 27V 15P	1	
	D812	VR1005CCA270	VARIATOR	15V 27V 15P	1	
	D813	VR1005AAA270	VARIATOR	15V 27V 40P	1	
	D814	VR1005AAA270	VARIATOR	15V 27V 40P	1	
	D815	VR1005AAA270	VARIATOR	15V 27V 40P	1	

MODEL	MARK	MODEL	MARK
DNX7190HD	K0	DNX9990HD	K1

Safe	Symbol No.	Parts No.	Parts Name	Description	QTY	Local
	D817	VR1005AAA270	VARISTOR	15V 27V 40P	1	
	C1	CK73GB1H104K	CHIP C	50V 0.10UF K	1	
	C2	CK73GB1H104K	CHIP C	50V 0.10UF K	1	
	C3	C90-6939-05	ELECTRO	2200UF 16WV	1	
	C5	CK73GB1H222K	CHIP C	50V 2200PF K	1	
	C7	CK73GB1H104K	CHIP C	50V 0.10UF K	1	
	C8	CE32BM1E101M	CHIP EL	100UF 25WV	1	
	C9	CK73HB1E103K	CHIP C	25V 0.010UF K	1	
	C10	CK73GB1H104K	CHIP C	50V 0.10UF K	1	
	C21	CK73GB1H104K	CHIP C	50V 0.10UF K	1	
	C23	CK73HB1E103K	CHIP C	25V 0.010UF K	1	
	C24	CK73GB1H104K	CHIP C	50V 0.10UF K	1	
	C31	CK73GB1H104K	CHIP C	50V 0.10UF K	1	
	C32	CK73HB1E103K	CHIP C	25V 0.010UF K	1	
	C33	CK73EB1E106K	CHIP C	25V 10UF K	1	
	C34	CK73EB1E106K	CHIP C	25V 10UF K	1	
	C35	CK73GB1H104K	CHIP C	50V 0.10UF K	1	
	C36	CK73HB1E103K	CHIP C	25V 0.010UF K	1	
	C37	CK73HB1E103K	CHIP C	25V 0.010UF K	1	
	C39	CK73HB1H332K	CHIP C	50V 3300PF K	1	
	C41	CK73GB1H104K	CHIP C	50V 0.10UF K	1	
	C43	CK73FB0J226M	CHIP C	22UF M	1	
	C44	CK73HB1A104K	CHIP C	10V 0.10UF K	1	
	C45	CK73HB1E103K	CHIP C	25V 0.010UF K	1	
	C46	C92-2031-05	ELECTRO	220UF	1	
	C47	CK73HB1A104K	CHIP C	10V 0.10UF K	1	
	C51	CK73GB1H104K	CHIP C	50V 0.10UF K	1	
	C52	CK73HB1E103K	CHIP C	25V 0.010UF K	1	
	C53	CK73EB1E106K	CHIP C	25V 10UF K	1	
	C54	CK73EB1E106K	CHIP C	25V 10UF K	1	
	C55	CK73GB1H104K	CHIP C	50V 0.10UF K	1	
	C56	CK73HB1E103K	CHIP C	25V 0.010UF K	1	
	C58	CK73HB1H682K	CHIP C	50V 6800PF K	1	
	C60	CK73GB1H104K	CHIP C	50V 0.10UF K	1	
	C61	CK73GB1H332K	CHIP C	50V 3300PF K	1	
	C62	CK73FB0J226M	CHIP C	22UF M	1	
	C63	CK73HB1A104K	CHIP C	10V 0.10UF K	1	
	C64	CK73HB1E103K	CHIP C	25V 0.010UF K	1	
	C65	CE32AV0J221M	CHIP EL	220UF 6.3WV	1	
	C81	CK73GB1H104K	CHIP C	50V 0.10UF K	1	
	C82	CK73HB1E103K	CHIP C	25V 0.010UF K	1	
	C83	CK73EB1E106K	CHIP C	25V 10UF K	1	
	C84	CK73EB1E106K	CHIP C	25V 10UF K	1	
	C85	CK73GB1H104K	CHIP C	50V 0.10UF K	1	
	C86	CK73HB1E103K	CHIP C	25V 0.010UF K	1	
	C88	CK73GB1H332K	CHIP C	50V 3300PF K	1	
	C89	CK73FB1C106K	CHIP C	16V 10UF K	1	
	C90	CK73HB1A104K	CHIP C	10V 0.10UF K	1	
	C91	CK73HB1E103K	CHIP C	25V 0.010UF K	1	
	C92	CE32AV1A271M	CHIP EL	270UF 10WV	1	
	C93	CK73HB1H332K	CHIP C	50V 3300PF K	1	
	C94	CC73HCH1H181J	CHIP C	50V 180PF J	1	
	C95	CK73HB1H682K	CHIP C	50V 6800PF K	1	
	C96	CK73HB1C473K	CHIP C	16V 0.047UF K	1	
	C101	CK73GB1H104K	CHIP C	50V 0.10UF K	1	
	C102	CK73HB1E103K	CHIP C	25V 0.010UF K	1	
	C103	CK73EB1E106K	CHIP C	25V 10UF K	1	
	C104	CK73EB1E106K	CHIP C	25V 10UF K	1	
	C105	CK73GB1H104K	CHIP C	50V 0.10UF K	1	
	C106	CK73HB1E103K	CHIP C	25V 0.010UF K	1	
	C108	CK73GB1H332K	CHIP C	50V 3300PF K	1	
	C109	CK73FB0J226M	CHIP C	22UF M	1	
	C110	CK73HB1A104K	CHIP C	10V 0.10UF K	1	
	C111	CK73HB1E103K	CHIP C	25V 0.010UF K	1	
	C112	C92-2031-05	ELECTRO	220UF	1	
	C113	CK73HB1H332K	CHIP C	50V 3300PF K	1	
	C114	CC73HCH1H181J	CHIP C	50V 180PF J	1	
	C115	CK73HB1H682K	CHIP C	50V 6800PF K	1	
	C116	CK73HB1C473K	CHIP C	16V 0.047UF K	1	
	C121	CK73FB1E475K	CHIP C	25V 4.7UF K	1	
	C122	CK73GB1H104K	CHIP C	50V 0.10UF K	1	
	C123	CK73HB1A104K	CHIP C	10V 0.10UF K	1	
	C124	CC73HCH1H470J	CHIP C	50V 47PF J	1	
	C125	CK73HB1A104K	CHIP C	10V 0.10UF K	1	
	C126	CK73GB1A105K	CHIP C	10V 1.0UF K	1	
	C131	CK73GB0J106M	CHIP C	6.3V 10UF M	1	
	C132	CK73GB0J106M	CHIP C	6.3V 10UF M	1	
	C133	C92-2031-05	ELECTRO	220UF	1	
	C134	CK73HB1A104K	CHIP C	10V 0.10UF K	1	
	C143	CK73GB0J106M	CHIP C	6.3V 10UF M	1	
	C144	CK73GB0J106M	CHIP C	6.3V 10UF M	1	
	C145	CK73GB1A105K	CHIP C	10V 1.0UF K	1	
	C146	CK73HB0J105K	CHIP C	6.3V 1.0UF K	1	
	C151	CK73HB0J105K	CHIP C	6.3V 1.0UF K	1	
	C152	CK73HB1A104K	CHIP C	10V 0.10UF K	1	
	C154	CK73HB1A104K	CHIP C	10V 0.10UF K	1	
	C161	CK73HB1A104K	CHIP C	10V 0.10UF K	1	
	C162	CK73FB1C106K	CHIP C	16V 10UF K	1	
	C163	CK73FB1C106K	CHIP C	16V 10UF K	1	
	C164	CK73HB1A104K	CHIP C	10V 0.10UF K	1	
	C165	CK73HB1E103K	CHIP C	25V 0.010UF K	1	
	C166	CK73HB0J105K	CHIP C	6.3V 1.0UF K	1	

MODEL	MARK	MODEL	MARK
DNX7190HD	K0	DNX9990HD	K1

Safe	Symbol No.	Parts No.	Parts Name	Description	QTY	Local
	C171	CK73FB1C106K	CHIP C	16V 10UF K	1	
	C172	CK73FB0J226M	CHIP C	22UF M	1	
	C173	CE32BQ1C101M	CHIP EL	100UF 16WV	1	
	C181	CK73GB1A105K	CHIP C	10V 1.0UF K	1	
	C183	CK73GB0J106M	CHIP C	6.3V 10UF M	1	
	C201	CK73HB1H102K	CHIP C	50V 1000PF K	1	
	C206	CK73HB0J105K	CHIP C	6.3V 1.0UF K	1	
	C207	CK73HB0J105K	CHIP C	6.3V 1.0UF K	1	
	C208	CK73HB1H222K	CHIP C	50V 2200PF K	1	
	C209	CK73GB0J106M	CHIP C	6.3V 10UF M	1	
	C210	CK73HB1E103K	CHIP C	25V 0.010UF K	1	
	C211	CK73HB1A104K	CHIP C	10V 0.10UF K	1	K1
	C213	CK73HB1A104K	CHIP C	10V 0.10UF K	1	K1
	C214	CK73HB1A104K	CHIP C	10V 0.10UF K	1	
	C215	CK73HB0J105K	CHIP C	6.3V 1.0UF K	1	
	C216	CK73HB1A104K	CHIP C	10V 0.10UF K	1	
	C217	CK73HB1A104K	CHIP C	10V 0.10UF K	1	
	C218	CK73HB1A104K	CHIP C	10V 0.10UF K	1	
	C219	CK73HB1A104K	CHIP C	10V 0.10UF K	1	
	C220	CC73HCH1H180J	CHIP C	50V 18PF J	1	
	C221	CC73HCH1H060D	CHIP C	50V 6.0PF D	1	
	C222	CK73HB1A104K	CHIP C	10V 0.10UF K	1	
	C223	CK73HB1A104K	CHIP C	10V 0.10UF K	1	
	C224	CC73HCH1H220J	CHIP C	50V 22PF J	1	
	C225	CC73HCH1H220J	CHIP C	50V 22PF J	1	
	C226	CK73HB1A104K	CHIP C	10V 0.10UF K	1	
	C227	CK73HB0J105K	CHIP C	6.3V 1.0UF K	1	
	C228	CK73HB0J105K	CHIP C	6.3V 1.0UF K	1	
	C229	CE32BQ0J221M	CHIP EL	220UF 6.3WV	1	
	C230	CK73GB0J106M	CHIP C	6.3V 10UF M	1	
	C231	CK73HB1H222K	CHIP C	50V 2200PF K	1	
	C232	CK73HB1E103K	CHIP C	25V 0.010UF K	1	
	C233	CK73HB1E103K	CHIP C	25V 0.010UF K	1	
	C234	CK73HB1E103K	CHIP C	25V 0.010UF K	1	
	C235	CK73HB1E103K	CHIP C	25V 0.010UF K	1	
	C236	CK73HB1E103K	CHIP C	25V 0.010UF K	1	
	C237	CK73HB1E103K	CHIP C	25V 0.010UF K	1	
	C238	CK73HB1E103K	CHIP C	25V 0.010UF K	1	
	C239	CK73HB0J105K	CHIP C	6.3V 1.0UF K	1	
	C240	CK73HB0J105K	CHIP C	6.3V 1.0UF K	1	
	C243	CK73HB1A104K	CHIP C	10V 0.10UF K	1	
	C244	CK73HB1A104K	CHIP C	10V 0.10UF K	1	
	C245	CK73GB0J106M	CHIP C	6.3V 10UF M	1	
	C246	CK73HB1E103K	CHIP C	25V 0.010UF K	1	
	C248	CK73HB1E103K	CHIP C	25V 0.010UF K	1	
	C249	CK73HB1E103K	CHIP C	25V 0.010UF K	1	
	C250	CK73HB1E103K	CHIP C	25V 0.010UF K	1	
	C400	CK73HB0J105K	CHIP C	6.3V 1.0UF K	1	K1
	C401	CK73GB0J475K	CHIP C	6.3V 4.7UF K	1	K1
	C402	CK73GB0J475K	CHIP C	6.3V 4.7UF K	1	K1
	C403	CK73GB0J475K	CHIP C	6.3V 4.7UF K	1	K1
	C405	CK73GB0J106M	CHIP C	6.3V 10UF M	1	
	C407	CK73GB0J106M	CHIP C	6.3V 10UF M	1	
	C408	CK73HB0J105K	CHIP C	6.3V 1.0UF K	1	K1
	C409	CK73HB0J105K	CHIP C	6.3V 1.0UF K	1	K1
	C410	CK73HB0J105K	CHIP C	6.3V 1.0UF K	1	K1
	C411	CK73GB0J475K	CHIP C	6.3V 4.7UF K	1	K1
	C412	CK73GB0J475K	CHIP C	6.3V 4.7UF K	1	K1
	C413	CK73GB0J475K	CHIP C	6.3V 4.7UF K	1	K1
	C414	CK73HB1A104K	CHIP C	10V 0.10UF K	1	
	C415	CK73GB0J106M	CHIP C	6.3V 10UF M	1	
	C417	CK73GB1A105K	CHIP C	10V 1.0UF K	1	
	C420	CK73HB1A104K	CHIP C	10V 0.10UF K	1	
	C421	CK73GB0J106M	CHIP C	6.3V 10UF M	1	
	C422	CK73GB1H332K	CHIP C	50V 3300PF K	1	
	C423	CK73GB1H332K	CHIP C	50V 3300PF K	1	
	C424	CK73GB1H332K	CHIP C	50V 3300PF K	1	
	C425	CK73GB1H332K	CHIP C	50V 3300PF K	1	
	C426	CK73HB1A104K	CHIP C	10V 0.10UF K	1	
	C430	CK73HB1C473K	CHIP C	16V 0.047UF K	1	
	C500	CK73HB1A104K	CHIP C	10V 0.10UF K	1	K1
	C501	CK73HB1A104K	CHIP C	10V 0.10UF K	1	
	C503	CK73HB1E103K	CHIP C	25V 0.010UF K	1	
	C504	CK73HB1E103K	CHIP C	25V 0.010UF K	1	
	C505	CK73HB1A104K	CHIP C	10V 0.10UF K	1	
	C506	CK73HB1A104K	CHIP C	10V 0.10UF K	1	
	C507	CK73HB1A104K	CHIP C	10V 0.10UF K	1	
	C508	CK73GB0J106M	CHIP C	6.3V 10UF M	1	
	C509	CK73GB0J106M	CHIP C	6.3V 10UF M	1	
	C510	CK73HB1A104K	CHIP C	10V 0.10UF K	1	
	C511	CK73HB1A104K	CHIP C	10V 0.10UF K	1	
	C512	CC73HCH1H020C	CHIP C	50V 2.0PF C	1	
	C513	CC73HCH1H020C	CHIP C	50V 2.0PF C	1	
	C520	CK73GB1A475K	CHIP C	10V 4.7UF K	1	K1
	C521	CK73GB1A475K	CHIP C	10V 4.7UF K	1	
	C522	CK73HB1A104K	CHIP C	10V 0.10UF K	1	K1
	C523	CK73HB1A104K	CHIP C	10V 0.10UF K	1	
	C527	CK73GB1A105K	CHIP C	10V 1.0UF K	1	K1
	C528	CK73GB1A105K	CHIP C	10V 1.0UF K	1	
	C529	CE32AV0J221M	CHIP EL	220UF 6.3WV	1	K1
	C530	CE32AV0J221M	CHIP EL	220UF 6.3WV	1	
	C531	CK73EB0J476M	CHIP C	6.3V 47UF M	1	K1
	C532	CK73HB1H102K	CHIP C	50V 1000PF K	1	K1

MODEL	MARK	MODEL	MARK
DNX7190HD	K0	DNX9990HD	K1

Safe	Symbol No.	Parts No.	Parts Name	Description	QTY	Local
	C533	CK73HB1H102K	CHIP C	50V 1000PF K	1	
	C534	CK73EB0J476M	CHIP C	6.3V 47UF M	1	
	C535	CK73EB0J476M	CHIP C	6.3V 47UF M	1	K1
	C536	CK73EB0J476M	CHIP C	6.3V 47UF M	1	
	C540	CK73HB1A104K	CHIP C	10V 0.10UF K	1	
	C541	CK73HB1E103K	CHIP C	25V 0.010UF K	1	
	C542	CK73HB1A104K	CHIP C	10V 0.10UF K	1	
	C543	CK73GB0J106M	CHIP C	6.3V 10UF M	1	
	C545	CK73GB0J106M	CHIP C	6.3V 10UF M	1	
	C560	CK73HB1A104K	CHIP C	10V 0.10UF K	1	
	C561	CK73GB0J106M	CHIP C	6.3V 10UF M	1	
	C562	CK73HB1A104K	CHIP C	10V 0.10UF K	1	
	C582	CK73HB0J105K	CHIP C	6.3V 1.0UF K	1	
	C583	CK73HB0J105K	CHIP C	6.3V 1.0UF K	1	
	C584	CK73GB0J106M	CHIP C	6.3V 10UF M	1	
	C588	CK73HB1A104K	CHIP C	10V 0.10UF K	1	
	C660	CK73GB1H104K	CHIP C	50V 0.10UF K	1	
	C661	CK73HB1E103K	CHIP C	25V 0.010UF K	1	
	C662	CK73GB0J106M	CHIP C	6.3V 10UF M	1	
	C663	CK73GB1C224K	CHIP C	16V 0.22UF K	1	
	C664	CK73HB1H222K	CHIP C	50V 2200PF K	1	
	C665	CK73HB1H222K	CHIP C	50V 2200PF K	1	
	C666	CK73HB1H222K	CHIP C	50V 2200PF K	1	
	C667	CE32BQ0J331M	CHIP EL	330UF 6.3VWV	1	
	C668	CK73FB0J226M	CHIP C	22UF M	1	
	C706	CK73FB0J226M	CHIP C	22UF M	1	
	C707	CK73HB1A104K	CHIP C	10V 0.10UF K	1	
	C709	CK73HB0J105K	CHIP C	6.3V 1.0UF K	1	
	C711	CK73HB0J105K	CHIP C	6.3V 1.0UF K	1	
	C712	CK73FB0J226M	CHIP C	22UF M	1	
	C713	CK73FB0J226M	CHIP C	22UF M	1	
	C714	CK73HB0J105K	CHIP C	6.3V 1.0UF K	1	
	C715	CK73HB0J105K	CHIP C	6.3V 1.0UF K	1	
	C716	CK73HB0J105K	CHIP C	6.3V 1.0UF K	1	
	C717	CK73HB0J105K	CHIP C	6.3V 1.0UF K	1	
	C718	CK73HB1A104K	CHIP C	10V 0.10UF K	1	
	C719	CK73FB0J226M	CHIP C	22UF M	1	
	C720	CE32BQ0J221M	CHIP EL	220UF 6.3VWV	1	
	C721	CK73FB0J226M	CHIP C	22UF M	1	
	C722	CK73HB0J105K	CHIP C	6.3V 1.0UF K	1	
	C723	CK73HB0J105K	CHIP C	6.3V 1.0UF K	1	
	C750	CK73GB0J106M	CHIP C	6.3V 10UF M	1	
	C751	CK73HB1A104K	CHIP C	10V 0.10UF K	1	
	C752	CK73HB1A104K	CHIP C	10V 0.10UF K	1	
	C753	CK73FB0J226M	CHIP C	22UF M	1	
	C754	CE32BJ1C100M	CHIP EL	10UF 16VWV	1	
	C755	CK73HB1H222K	CHIP C	50V 2200PF K	1	
	C756	CE32BJ1C100M	CHIP EL	10UF 16VWV	1	
	C757	CC73HCH1H020C	CHIP C	50V 2.0PF C	1	
	C758	CE32BJ1C101M	CHIP EL	100UF 16VWV	1	
	C759	CK73GB0J106M	CHIP C	6.3V 10UF M	1	
	C760	CK73HB1E103K	CHIP C	25V 0.010UF K	1	
	C761	CK73HB1A104K	CHIP C	10V 0.10UF K	1	
	C762	CK73FB0J226M	CHIP C	22UF M	1	
	C801	CK73EB1E106K	CHIP C	25V 10UF K	1	
	C802	CK73HB1H471K	CHIP C	50V 470PF K	1	
	C803	CK73GB1H104K	CHIP C	50V 0.10UF K	1	
	C804	CK73HB1E103K	CHIP C	25V 0.010UF K	1	
	C807	CK73HB1A104K	CHIP C	10V 0.10UF K	1	
	C808	CK73HB1E103K	CHIP C	25V 0.010UF K	1	
	C809	CK73HB1E103K	CHIP C	25V 0.010UF K	1	
	C810	CK73HB1A104K	CHIP C	10V 0.10UF K	1	
	C811	CK73HB1H471K	CHIP C	50V 470PF K	1	
	C812	CK73FB1C106K	CHIP C	16V 10UF K	1	
	C815	CE32BM1E470M	CHIP EL	47UF 25VWV	1	
	C900	CK73FB0J226M	CHIP C	22UF M	1	
	C902	CK73HB1A104K	CHIP C	10V 0.10UF K	1	
	C903	CK73GB1A105K	CHIP C	10V 1.0UF K	1	
	C904	CK73GB1A105K	CHIP C	10V 1.0UF K	1	
	C905	CK73GB1A105K	CHIP C	10V 1.0UF K	1	
	C906	CK73GB1A105K	CHIP C	10V 1.0UF K	1	
	C909	CC73HCH1H470J	CHIP C	50V 47PF J	1	
	C910	CC73HCH1H470J	CHIP C	50V 47PF J	1	
	C911	CC73HCH1H470J	CHIP C	50V 47PF J	1	
	C912	CC73HCH1H470J	CHIP C	50V 47PF J	1	
	C916	CK73GB1A105K	CHIP C	10V 1.0UF K	1	
	C918	CK73GB1A105K	CHIP C	10V 1.0UF K	1	
	C919	CK73GB1A105K	CHIP C	10V 1.0UF K	1	
	C921	CK73GB1A105K	CHIP C	10V 1.0UF K	1	
	C922	CK73GB0J106M	CHIP C	6.3V 10UF M	1	
	C924	CK73HB1A104K	CHIP C	10V 0.10UF K	1	
	C926	CK73GB0J106M	CHIP C	6.3V 10UF M	1	
	C927	CE32BQ0J331M	CHIP EL	330UF 6.3VWV	1	
	C932	CK73HB1A104K	CHIP C	10V 0.10UF K	1	
	C934	CK73GB1A105K	CHIP C	10V 1.0UF K	1	
	C935	CK73GB1A105K	CHIP C	10V 1.0UF K	1	
	R1	RK73HB1J823J	CHIP R	82K J 1/16W	1	
	R2	RK73HB1J103J	CHIP R	10K J 1/16W	1	
	R3	RK73HB1J224J	CHIP R	220K J 1/16W	1	
	R4	RK73HB1J333J	CHIP R	33K J 1/16W	1	
	R5	RK73HB1J274J	CHIP R	270K J 1/16W	1	
	R6	RK73HH1J104D	CHIP R	100K D 1/16W	1	

MODEL	MARK	MODEL	MARK
DNX7190HD	K0	DNX9990HD	K1

Safe	Symbol No.	Parts No.	Parts Name	Description	QTY	Local
R7		RK73HH1J513D	CHIP R	51K D 1/16W	1	
R8		RK73HH1J333D	CHIP R	33K D 1/16W	1	
R9		RK73HB1J224J	CHIP R	220K J 1/16W	1	
R10		RK73HB1J224J	CHIP R	220K J 1/16W	1	
R11		RK73HH1J113D	CHIP R	11K D 1/16W	1	
R12		RK73HH1J104D	CHIP R	100K D 1/16W	1	
R13		RK73HH1J334D	CHIP R	330K D 1/16W	1	
R14		RK73HH1J334D	CHIP R	330K D 1/16W	1	
R15		RK73HH1J683D	CHIP R	68K D 1/16W	1	
R16		RK73HB1J224J	CHIP R	220K J 1/16W	1	
R17		RK73HB1J224J	CHIP R	220K J 1/16W	1	
R18		RK73HB1J224J	CHIP R	220K J 1/16W	1	
R19		RK73HB1J473J	CHIP R	47K J 1/16W	1	
R21		RK73HB1J823J	CHIP R	82K J 1/16W	1	
R22		RK73HB1J103J	CHIP R	10K J 1/16W	1	
R23		RK73HB1J224J	CHIP R	220K J 1/16W	1	
R24		RK73HB1J333J	CHIP R	33K J 1/16W	1	
R25		RK73HB1J274J	CHIP R	270K J 1/16W	1	
R31		RK73HB1J103J	CHIP R	10K J 1/16W	1	
R32		RK73HB1J473J	CHIP R	47K J 1/16W	1	
R33		RK73HB1J101J	CHIP R	100 J 1/16W	1	
R34		RK73HB1J101J	CHIP R	100 J 1/16W	1	
R35		RK73HB1J274J	CHIP R	270K J 1/16W	1	
R36		RK73HB1J113J	CHIP R	11K J 1/16W	1	
R38		RK73HB1J000J	CHIP R	0.0 J 1/16W	1	
R39		RK73HH1J333D	CHIP R	33K D 1/16W	1	
R40		RK73HH1J203D	CHIP R	20K D 1/16W	1	
R41		RK73HH1J223D	CHIP R	22K D 1/16W	1	
R42		RK73HB1J000J	CHIP R	0.0 J 1/16W	1	
R43		RK73HB1J163J	CHIP R	16K J 1/16W	1	
R45		RK73HB1J223J	CHIP R	22K J 1/16W	1	
R46		RK73EB2E111J	CHIP R	110 J 1/4W	1	
R47		RK73HB1J472J	CHIP R	4.7K J 1/16W	1	
R48		RK73HB1J473J	CHIP R	47K J 1/16W	1	
R51		RK73HB1J000J	CHIP R	0.0 J 1/16W	1	
R52		RK73HB1J000J	CHIP R	0.0 J 1/16W	1	
R53		RK73HH1J124D	CHIP R	120K D 1/16W	1	
R54		RK73HH1J273D	CHIP R	27K D 1/16W	1	
R55		RK73HH1J202D	CHIP R	2.0K D 1/16W	1	
R56		RK73HB1J103J	CHIP R	10K J 1/16W	1	
R57		RK73PB2H160J	CHIP R	16 J 1/2W	1	
R58		RK73HB1J104J	CHIP R	100K J 1/16W	1	
R59		RK73HB1J103J	CHIP R	10K J 1/16W	1	
R60		RK73HB1J471J	CHIP R	470 J 1/16W	1	
R61		RK73HB1J473J	CHIP R	47K J 1/16W	1	
R62		RK73HB1J473J	CHIP R	47K J 1/16W	1	
R81		R92-5276-05	CHIP R	0.033 J 1/3W	1	
R82		R92-5276-05	CHIP R	0.033 J 1/3W	1	
R83		R92-5276-05	CHIP R	0.033 J 1/3W	1	
R84		R92-5276-05	CHIP R	0.033 J 1/3W	1	
R85		RK73HB1J000J	CHIP R	0.0 J 1/16W	1	K1
R86		RK73PB2H160J	CHIP R	16 J 1/2W	1	
R87		RK73HH1J303D	CHIP R	30K D 1/16W	1	
R88		RK73HB1J122J	CHIP R	1.2K J 1/16W	1	
R89		RK73HH1J512D	CHIP R	5.1K D 1/16W	1	
R90		RK73HH1J471D	CHIP R	470 D 1/16W	1	
R91		RK73HB1J332J	CHIP R	3.3K J 1/16W	1	
R101		R92-5244-05	CHIP R	0.039 1/3W	1	
R102		R92-5244-05	CHIP R	0.039 1/3W	1	
R103		RK73HB1J000J	CHIP R	0.0 J 1/16W	1	
R104		RK73PB2H160J	CHIP R	16 J 1/2W	1	
R105		RK73HH1J303D	CHIP R	30K D 1/16W	1	
R106		RK73HB1J122J	CHIP R	1.2K J 1/16W	1	
R107		RK73HH1J753D	CHIP R	75K D 1/16W	1	
R108		RK73HH1J113D	CHIP R	11K D 1/16W	1	
R109		RK73HB1J332J	CHIP R	3.3K J 1/16W	1	
R121		RK73HB1J2R2J	CHIP R	2.2 J 1/16W	1	
R122		RK73GB2A000J	CHIP R	0.0 J 1/10W	1	
R124		RK73GB2A000J	CHIP R	0.0 J 1/10W	1	
R125		RK73HB1J000J	CHIP R	0.0 J 1/16W	1	
R126		RK73HB1J000J	CHIP R	0.0 J 1/16W	1	
R127		RK73HH1J164D	CHIP R	160K D 1/16W	1	
R128		RK73HH1J273D	CHIP R	27K D 1/16W	1	
R136		RK73HB1J473J	CHIP R	47K J 1/16W	1	
R137		RK73HB1J272J	CHIP R	2.7K J 1/16W	1	
R138		RK73HB1J223J	CHIP R	22K J 1/16W	1	
R139		RK73HB1J223J	CHIP R	22K J 1/16W	1	
R140		RK73HB1J223J	CHIP R	22K J 1/16W	1	
R141		RK73GB2A000J	CHIP R	0.0 J 1/10W	1	
R145		RK73HB1J000J	CHIP R	0.0 J 1/16W	1	
R146		RK73GB2A000J	CHIP R	0.0 J 1/10W	1	
R147		RK73GB2A000J	CHIP R	0.0 J 1/10W	1	
R148		RK73GB2A000J	CHIP R	0.0 J 1/10W	1	
R149		RK73HB1J000J	CHIP R	0.0 J 1/16W	1	K1
R150		RK73GB2A000J	CHIP R	0.0 J 1/10W	1	
R152		RK73HB1J223J	CHIP R	22K J 1/16W	1	
R153		RK73GB2A151J	CHIP R	150 J 1/10W	1	
R154		RK73GB2A151J	CHIP R	150 J 1/10W	1	
R155		RK73HB1J223J	CHIP R	22K J 1/16W	1	
R156		RK73GB2A271J	CHIP R	270 J 1/10W	1	
R157		RK73GB2A000J	CHIP R	0.0 J 1/10W	1	
R162		RK73GB2A000J	CHIP R	0.0 J 1/10W	1	
R163		RK73HB1J104J	CHIP R	100K J 1/16W	1	

MODEL	MARK	MODEL	MARK
DNX7190HD	K0	DNX9990HD	K1

Safe	Symbol No.	Parts No.	Parts Name	Description	QTY	Local
	R164	RK73HB1J333J	CHIP R	33K J 1/16W	1	
	R165	RK73HB1J224J	CHIP R	220K J 1/16W	1	
	R167	RK73HB1J473J	CHIP R	47K J 1/16W	1	
	R168	RK73HB1J152J	CHIP R	1.5K J 1/16W	1	
	R173	RK73HB1J223D	CHIP R	22K D 1/16W	1	
	R174	RK73HB1J682D	CHIP R	6.8K D 1/16W	1	
	R175	RK73GB2A2R2J	CHIP R	2.2 J 1/10W	1	
	R176	RK73GB2A000J	CHIP R	0.0 J 1/10W	1	
	R181	RK73GB2A000J	CHIP R	0.0 J 1/10W	1	
	R182	RK73GB2A000J	CHIP R	0.0 J 1/10W	1	
	R208	RK73GB2A000J	CHIP R	0.0 J 1/10W	1	
	R209	RK73GB2A000J	CHIP R	0.0 J 1/10W	1	
	R210	RK73GB2A000J	CHIP R	0.0 J 1/10W	1	
	R214	RK73GB2A000J	CHIP R	0.0 J 1/10W	1	
	R222	RK73HB1J242J	CHIP R	2.4K J 1/16W	1	
	R223	RK73HB1J302J	CHIP R	3.0K J 1/16W	1	
	R224	RK73HB1J680J	CHIP R	68 J 1/16W	1	
	R225	RK73HB1J680J	CHIP R	68 J 1/16W	1	
	R226	RK73HB1J104J	CHIP R	100K J 1/16W	1	
	R227	RK73HB1J562J	CHIP R	5.6K J 1/16W	1	
	R228	RK73HB1J752J	CHIP R	7.5K J 1/16W	1	
	R229	RK73HB1J331J	CHIP R	330 J 1/16W	1	K1
	R230	RK73HB1J101J	CHIP R	100 J 1/16W	1	
	R231	RK73HB1J101J	CHIP R	100 J 1/16W	1	
	R232	RK73HB1J910J	CHIP R	91 J 1/16W	1	K1
	R233	RK73HB1J104J	CHIP R	100K J 1/16W	1	
	R234	RK73HB1J101J	CHIP R	100 J 1/16W	1	
	R235	RK73HB1J101J	CHIP R	100 J 1/16W	1	
	R236	RK73HB1J101J	CHIP R	100 J 1/16W	1	
	R237	RK73HB1J103J	CHIP R	10K J 1/16W	1	
	R238	RK73GB2A470J	CHIP R	47 J 1/10W	1	K1
	R239	RK73HB1J101J	CHIP R	100 J 1/16W	1	
	R240	RK73HB1J101J	CHIP R	100 J 1/16W	1	
	R241	RK73HB1J472J	CHIP R	4.7K J 1/16W	1	
	R242	RK73HB1J101J	CHIP R	100 J 1/16W	1	
	R244	RK73HB1J472J	CHIP R	4.7K J 1/16W	1	
	R245	RK73HB1J101J	CHIP R	100 J 1/16W	1	
	R246	RK73HB1J222J	CHIP R	2.2K J 1/16W	1	
	R247	RK73HB1J101J	CHIP R	100 J 1/16W	1	
	R248	RK73HB1J101J	CHIP R	100 J 1/16W	1	
	R249	RK73HB1J104J	CHIP R	100K J 1/16W	1	
	R250	RK73HB1J222J	CHIP R	2.2K J 1/16W	1	
	R251	RK73HB1J202J	CHIP R	2.0K J 1/16W	1	K1
	R252	RK73HB1J101J	CHIP R	100 J 1/16W	1	
	R253	RK73HB1J104J	CHIP R	100K J 1/16W	1	
	R257	RK73HB1J101J	CHIP R	100 J 1/16W	1	
	R258	RK73HB1J222J	CHIP R	2.2K J 1/16W	1	
	R259	RK73HB1J103J	CHIP R	10K J 1/16W	1	
	R261	RK73HB1J102J	CHIP R	1.0K J 1/16W	1	
	R262	RK73HB1J101J	CHIP R	100 J 1/16W	1	
	R264	RK73HB1J222J	CHIP R	2.2K J 1/16W	1	
	R265	RK73HB1J103J	CHIP R	10K J 1/16W	1	
	R266	RK73HB1J223J	CHIP R	22K J 1/16W	1	
	R269	RK73HB1J104J	CHIP R	100K J 1/16W	1	
	R271	RK73HB1J473J	CHIP R	47K J 1/16W	1	
	R273	RK73HB1J473J	CHIP R	47K J 1/16W	1	
	R274	RK73HB1J473J	CHIP R	47K J 1/16W	1	
	R276	RK73HB1J473J	CHIP R	47K J 1/16W	1	
	R277	RK73HB1J104J	CHIP R	100K J 1/16W	1	
	R279	RK73HB1J104J	CHIP R	100K J 1/16W	1	
	R280	RK73HB1J103J	CHIP R	10K J 1/16W	1	
	R281	RK73HB1J272J	CHIP R	2.7K J 1/16W	1	
	R282	RK73GB2A101J	CHIP R	100 J 1/10W	1	
	R283	RK73HB1J000J	CHIP R	0.0 J 1/16W	1	
	R284	RK73HB1J101J	CHIP R	100 J 1/16W	1	
	R285	RK73HB1J101J	CHIP R	100 J 1/16W	1	
	R286	RK73HB1J154J	CHIP R	150K J 1/16W	1	
	R287	RK73HB1J104J	CHIP R	100K J 1/16W	1	
	R288	RK73HB1J223J	CHIP R	22K J 1/16W	1	
	R290	RK73HB1J473J	CHIP R	47K J 1/16W	1	
	R291	RK73HB1J101J	CHIP R	100 J 1/16W	1	
	R292	RK73HB1J473J	CHIP R	47K J 1/16W	1	
	R294	RK73HB1J101J	CHIP R	100 J 1/16W	1	
	R295	RK73HB1J223J	CHIP R	22K J 1/16W	1	
	R296	RK73HB1J000J	CHIP R	0.0 J 1/16W	1	
	R297	RK73HB1J101J	CHIP R	100 J 1/16W	1	
	R298	RK73HB1J104J	CHIP R	100K J 1/16W	1	
	R299	RK73HB1J272J	CHIP R	2.7K J 1/16W	1	
	R300	RK73HB1J272J	CHIP R	2.7K J 1/16W	1	
	R301	RK73HB1J223J	CHIP R	22K J 1/16W	1	
	R302	RK73HB1J272J	CHIP R	2.7K J 1/16W	1	
	R303	RK73HB1J101J	CHIP R	100 J 1/16W	1	
	R304	RK73HB1J104J	CHIP R	100K J 1/16W	1	
	R305	RK73HB1J101J	CHIP R	100 J 1/16W	1	
	R306	RK73HB1J101J	CHIP R	100 J 1/16W	1	
	R307	RK73HB1J104J	CHIP R	100K J 1/16W	1	
	R308	RK73HB1J752J	CHIP R	7.5K J 1/16W	1	
	R309	RK73HB1J272J	CHIP R	2.7K J 1/16W	1	
	R310	RK73HB1J272J	CHIP R	2.7K J 1/16W	1	
	R311	RK73HB1J101J	CHIP R	100 J 1/16W	1	
	R312	RK73HB1J473J	CHIP R	47K J 1/16W	1	
	R313	RK73HB1J104J	CHIP R	100K J 1/16W	1	

MODEL	MARK	MODEL	MARK
DNX7190HD	K0	DNX9990HD	K1

Safe	Symbol No.	Parts No.	Parts Name	Description	QTY	Local
	R315	RK73HH1J302D	CHIP R	3.0K D 1/16W	1	K0
	R315	RK73HB1J103J	CHIP R	10K J 1/16W	1	K1
	R317	RK73HB1J103J	CHIP R	10K J 1/16W	1	
	R318	RK73HB1J101J	CHIP R	100 J 1/16W	1	
	R319	RK73HB1J101J	CHIP R	100 J 1/16W	1	
	R321	RK73HB1J222J	CHIP R	2.2K J 1/16W	1	
	R322	RK73HB1J222J	CHIP R	2.2K J 1/16W	1	
	R323	RK73HB1J101J	CHIP R	100 J 1/16W	1	
	R324	RK73HB1J101J	CHIP R	100 J 1/16W	1	
	R328	RK73HB1J101J	CHIP R	100 J 1/16W	1	
	R329	RK73HB1J103J	CHIP R	10K J 1/16W	1	
	R331	RK73HH1J103D	CHIP R	10K D 1/16W	1	K0
	R335	RK73HB1J000J	CHIP R	0.0 J 1/16W	1	
	R336	RK73HB1J000J	CHIP R	0.0 J 1/16W	1	
	R339	RK73HB1J101J	CHIP R	100 J 1/16W	1	
	R340	RK73HB1J101J	CHIP R	100 J 1/16W	1	
	R341	RK73HB1J101J	CHIP R	100 J 1/16W	1	
	R342	RK73GB2A471J	CHIP R	470 J 1/10W	1	
	R344	RK73HB1J000J	CHIP R	0.0 J 1/16W	1	
	R346	RK73HB1J000J	CHIP R	0.0 J 1/16W	1	
	R347	RK73HB1J000J	CHIP R	0.0 J 1/16W	1	
	R350	RK73HB1J000J	CHIP R	0.0 J 1/16W	1	
	R352	RK73HB1J000J	CHIP R	0.0 J 1/16W	1	
	R353	RK73HB1J000J	CHIP R	0.0 J 1/16W	1	
	R355	RK73HB1J101J	CHIP R	100 J 1/16W	1	
	R359	RK73HB1J000J	CHIP R	0.0 J 1/16W	1	
	R360	RK73HB1J473J	CHIP R	47K J 1/16W	1	
	R362	RK73HB1J000J	CHIP R	0.0 J 1/16W	1	
	R365	RK73HB1J000J	CHIP R	0.0 J 1/16W	1	
	R366	RK73HB1J202J	CHIP R	2.0K J 1/16W	1	
	R368	RK73HB1J302J	CHIP R	3.0K J 1/16W	1	K1
	R371	RK73HB1J000J	CHIP R	0.0 J 1/16W	1	K1
	R373	RK73HB1J104J	CHIP R	100K J 1/16W	1	
	R375	RK73HB1J000J	CHIP R	0.0 J 1/16W	1	
	R400	RK73HB1J560J	CHIP R	56 J 1/16W	1	K1
	R401	RK73HB1J560J	CHIP R	56 J 1/16W	1	K1
	R402	RK73HB1J220J	CHIP R	22 J 1/16W	1	K1
	R403	RK73HB1J223J	CHIP R	22K J 1/16W	1	
	R404	RK73HB1J223J	CHIP R	22K J 1/16W	1	
	R405	RK73HB1J223J	CHIP R	22K J 1/16W	1	
	R406	RK73HB1J223J	CHIP R	22K J 1/16W	1	
	R407	RK73GB2A2R2J	CHIP R	2.2 J 1/10W	1	
	R408	RK73HB1J104J	CHIP R	100K J 1/16W	1	K1
	R409	RK73HB1J560J	CHIP R	56 J 1/16W	1	K1
	R410	RK73HB1J560J	CHIP R	56 J 1/16W	1	K1
	R411	RK73HB1J000J	CHIP R	0.0 J 1/16W	1	K1
	R413	RK73HB1J223J	CHIP R	22K J 1/16W	1	
	R414	RK73HB1J220J	CHIP R	22 J 1/16W	1	
	R415	RK73HB1J220J	CHIP R	22 J 1/16W	1	
	R416	RK73HB1J220J	CHIP R	22 J 1/16W	1	
	R417	RK73HB1J220J	CHIP R	22 J 1/16W	1	
	R418	RK73HB1J220J	CHIP R	22 J 1/16W	1	
	R419	RK73HB1J223J	CHIP R	22K J 1/16W	1	
	R420	RK73HB1J220J	CHIP R	22 J 1/16W	1	
	R421	RK73HB1J220J	CHIP R	22 J 1/16W	1	
	R422	RK73HB1J220J	CHIP R	22 J 1/16W	1	
	R425	RK73HB1J220J	CHIP R	22 J 1/16W	1	
	R426	RK73HB1J220J	CHIP R	22 J 1/16W	1	
	R427	RK73GB2A000J	CHIP R	0.0 J 1/10W	1	K1
	R428	RK73HB1J101J	CHIP R	100 J 1/16W	1	K1
	R429	RK73HB1J101J	CHIP R	100 J 1/16W	1	K1
	R433	RK73HB1J000J	CHIP R	0.0 J 1/16W	1	
	R436	RK73GB2A221J	CHIP R	220 J 1/10W	1	
	R437	RK73GB2A471J	CHIP R	470 J 1/10W	1	
	R438	RK73GB2A221J	CHIP R	220 J 1/10W	1	
	R439	RK73GB2A471J	CHIP R	470 J 1/10W	1	
	R440	RK73GB2A101J	CHIP R	100 J 1/10W	1	
	R441	RK73GB2A101J	CHIP R	100 J 1/10W	1	
	R442	RK73FB2B101J	CHIP R	100 J 1/8W	1	
	R443	RK73FB2B101J	CHIP R	100 J 1/8W	1	
	R444	RK73GB2A2R2J	CHIP R	2.2 J 1/10W	1	
	R446	RK73HB1J000J	CHIP R	0.0 J 1/16W	1	
	R447	RK73HB1J000J	CHIP R	0.0 J 1/16W	1	
	R448	RK73HB1J000J	CHIP R	0.0 J 1/16W	1	
	R449	RK73HB1J000J	CHIP R	0.0 J 1/16W	1	
	R451	RK73HB1J221J	CHIP R	220 J 1/16W	1	
	R454	RK73HB1J272J	CHIP R	2.7K J 1/16W	1	
	R455	RK73GB2A000J	CHIP R	0.0 J 1/10W	1	K1
	R457	RK73GB2A2R2J	CHIP R	2.2 J 1/10W	1	
	R500	RK73HB1J000J	CHIP R	0.0 J 1/16W	1	
	R501	RK73HB1J000J	CHIP R	0.0 J 1/16W	1	
	R503	RK73HB1J300J	CHIP R	30 J 1/16W	1	
	R521	RK73HH1J303D	CHIP R	30K D 1/16W	1	K1
	R522	RK73HH1J512D	CHIP R	5.1K D 1/16W	1	K1
	R523	RK73HH1J130D	CHIP R	13 D 1/16W	1	K1
	R524	RK73HH1J303D	CHIP R	30K D 1/16W	1	
	R525	RK73HH1J512D	CHIP R	5.1K D 1/16W	1	
	R526	RK73HH1J130D	CHIP R	13 D 1/16W	1	
	R529	RK73HB1J000J	CHIP R	0.0 J 1/16W	1	
	R530	RK73HB1J000J	CHIP R	0.0 J 1/16W	1	K1
	R531	RK73HB1J222J	CHIP R	2.2K J 1/16W	1	K1
	R532	RK73HB1J473J	CHIP R	47K J 1/16W	1	

MODEL	MARK	MODEL	MARK
DNX7190HD	K0	DNX9990HD	K1

Safe	Symbol No.	Parts No.	Parts Name	Description	QTY	Local
	R533	RK73HB1J222J	CHIP R	2.2K J 1/16W	1	
	R534	RK73HB1J473J	CHIP R	47K J 1/16W	1	K1
	R536	RK73HB1J272J	CHIP R	2.7K J 1/16W	1	
	R537	RK73HB1J272J	CHIP R	2.7K J 1/16W	1	K1
	R540	RK73HB1J101J	CHIP R	100 J 1/16W	1	
	R541	RK73HB1J000J	CHIP R	0.0 J 1/16W	1	
	R543	RK73HB1J000J	CHIP R	0.0 J 1/16W	1	
	R562	RK73GB2A000J	CHIP R	0.0 J 1/10W	1	
	R564	RK73HB1J101J	CHIP R	100 J 1/16W	1	
	R565	RK73HB1J101J	CHIP R	100 J 1/16W	1	
	R580	RK73HB1J223J	CHIP R	22K J 1/16W	1	
	R581	RK73HB1J470J	CHIP R	47 J 1/16W	1	
	R582	RK73HB1J223J	CHIP R	22K J 1/16W	1	
	R583	RK73HB1J223J	CHIP R	22K J 1/16W	1	
	R584	RK73HB1J223J	CHIP R	22K J 1/16W	1	
	R585	RK73HB1J223J	CHIP R	22K J 1/16W	1	
	R586	RK73HB1J102J	CHIP R	1.0K J 1/16W	1	
	R588	RK73HB1J223J	CHIP R	22K J 1/16W	1	
	R589	RK73HB1J272J	CHIP R	2.7K J 1/16W	1	
	R590	RK73HB1J101J	CHIP R	100 J 1/16W	1	
	R591	RK73HB1J101J	CHIP R	100 J 1/16W	1	
	R592	RK73HB1J101J	CHIP R	100 J 1/16W	1	
	R593	RK73HB1J101J	CHIP R	100 J 1/16W	1	
	R594	RK73HB1J101J	CHIP R	100 J 1/16W	1	
	R661	RK73HB1J102J	CHIP R	1.0K J 1/16W	1	
	R662	RK73HB1J100J	CHIP R	10 J 1/16W	1	
	R663	RK73HB1J303J	CHIP R	30K J 1/16W	1	
	R664	RK73HB1J100J	CHIP R	10 J 1/16W	1	
	R665	RK73GB2A000J	CHIP R	0.0 J 1/10W	1	
	R666	RK73HB1J100J	CHIP R	10 J 1/16W	1	
	R667	RK73HB1J303J	CHIP R	30K J 1/16W	1	
	R668	RK73HB1J272J	CHIP R	2.7K J 1/16W	1	
	R670	RK73HB1J750J	CHIP R	75 J 1/16W	1	
	R672	RK73HB1J100J	CHIP R	10 J 1/16W	1	
	R673	RK73HB1J000J	CHIP R	0.0 J 1/16W	1	
	R674	RK73HB1J100J	CHIP R	10 J 1/16W	1	
	R675	RK73HB1J101J	CHIP R	100 J 1/16W	1	
	R676	RK73HB1J101J	CHIP R	100 J 1/16W	1	
	R677	RK73HB1J750J	CHIP R	75 J 1/16W	1	
	R678	RK73HB1J000J	CHIP R	0.0 J 1/16W	1	
	R679	RK73HB1J000J	CHIP R	0.0 J 1/16W	1	
	R680	RK73HB1J000J	CHIP R	0.0 J 1/16W	1	
	R681	RK73HB1J000J	CHIP R	0.0 J 1/16W	1	
	R682	RK73HH1J750D	CHIP R	75 D 1/16W	1	
	R700	RK73HB1J000J	CHIP R	0.0 J 1/16W	1	
	R703	RK73HB1J000J	CHIP R	0.0 J 1/16W	1	
	R706	RK73HB1J000J	CHIP R	0.0 J 1/16W	1	
	R707	RK73HB1J000J	CHIP R	0.0 J 1/16W	1	
	R708	RK73HB1J000J	CHIP R	0.0 J 1/16W	1	
	R709	RK73HB1J000J	CHIP R	0.0 J 1/16W	1	
	R712	RK73HB1J222J	CHIP R	2.2K J 1/16W	1	
	R713	RK73HB1J103J	CHIP R	10K J 1/16W	1	
	R714	RK73HB1J000J	CHIP R	0.0 J 1/16W	1	
	R715	RK73HB1J103J	CHIP R	10K J 1/16W	1	
	R717	RK73HB1J000J	CHIP R	0.0 J 1/16W	1	
	R718	RK73HB1J000J	CHIP R	0.0 J 1/16W	1	
	R720	RK73HB1J000J	CHIP R	0.0 J 1/16W	1	
	R750	RK73GB2A000J	CHIP R	0.0 J 1/10W	1	
	R751	RK73GB2A471J	CHIP R	470 J 1/10W	1	
	R752	RK73HB1J102J	CHIP R	1.0K J 1/16W	1	
	R753	RK73HB1J473J	CHIP R	47K J 1/16W	1	
	R754	RK73HB1J102J	CHIP R	1.0K J 1/16W	1	
	R755	RK73HB1J473J	CHIP R	47K J 1/16W	1	
	R756	RK73HB1J100J	CHIP R	10 J 1/16W	1	
	R757	RK73GB2A471J	CHIP R	470 J 1/10W	1	
	R758	RK73HB1J300J	CHIP R	30 J 1/16W	1	
	R759	RK73HB1J101J	CHIP R	100 J 1/16W	1	
	R801	RK73GB2A123J	CHIP R	12K J 1/10W	1	
	R802	RK73GB2A123J	CHIP R	12K J 1/10W	1	
	R803	RK73HB1J101J	CHIP R	100 J 1/16W	1	
	R805	RK73HB1J100J	CHIP R	10 J 1/16W	1	
	R806	RK73HB1J100J	CHIP R	10 J 1/16W	1	
	R819	RK73HB1J000J	CHIP R	0.0 J 1/16W	1	
	R822	RK73HB1J000J	CHIP R	0.0 J 1/16W	1	
	R823	RK73HB1J101J	CHIP R	100 J 1/16W	1	
	R824	RK73HB1J101J	CHIP R	100 J 1/16W	1	
	R825	RK73HB1J100J	CHIP R	10 J 1/16W	1	
	R826	RK73HB1J100J	CHIP R	10 J 1/16W	1	
	R827	RK73HB1J100J	CHIP R	10 J 1/16W	1	
	R828	RK73HB1J100J	CHIP R	10 J 1/16W	1	
	R829	RK73HB1J101J	CHIP R	100 J 1/16W	1	
	R830	RK73HB1J101J	CHIP R	100 J 1/16W	1	
	R831	RK73HB1J101J	CHIP R	100 J 1/16W	1	
	R832	RK73HB1J100J	CHIP R	10 J 1/16W	1	
	R833	RK73HB1J101J	CHIP R	100 J 1/16W	1	
	R834	RK73HB1J472J	CHIP R	4.7K J 1/16W	1	
	R835	RK73HH1J470D	CHIP R	47 D 1/16W	1	
	R836	RK73HH1J470D	CHIP R	47 D 1/16W	1	
	R837	RK73HH1J470D	CHIP R	47 D 1/16W	1	
	R841	RK73HH1J100D	CHIP R	10 D 1/16W	1	
	R842	RK73HB1J100J	CHIP R	10 J 1/16W	1	
	R843	RK73HB1J000J	CHIP R	0.0 J 1/16W	1	
	R846	RK73HB1J101J	CHIP R	100 J 1/16W	1	

MODEL	MARK	MODEL	MARK
DNX7190HD	K0	DNX9990HD	K1

Safe	Symbol No.	Parts No.	Parts Name	Description	QTY	Local
	R847	RK73HB1J470J	CHIP R	47 J 1/16W	1	
	R848	RK73HB1J470J	CHIP R	47 J 1/16W	1	
	R849	RK73HB1J101J	CHIP R	100 J 1/16W	1	
	R850	RK73HB1J100J	CHIP R	10 J 1/16W	1	
	R900	RK73HB1J222J	CHIP R	2.2K J 1/16W	1	
	R901	RK73HB1J222J	CHIP R	2.2K J 1/16W	1	
	R902	RK73HB1J2R2J	CHIP R	2.2 J 1/16W	1	
	R903	RK73HB1J223J	CHIP R	22K J 1/16W	1	
	R904	RK73HB1J223J	CHIP R	22K J 1/16W	1	
	R905	RK73HB1J223J	CHIP R	22K J 1/16W	1	
	R906	RK73HB1J223J	CHIP R	22K J 1/16W	1	
	R907	RK73HB1J223J	CHIP R	22K J 1/16W	1	
	R908	RK73HB1J223J	CHIP R	22K J 1/16W	1	
	R909	RK73HB1J223J	CHIP R	22K J 1/16W	1	
	R910	RK73HB1J223J	CHIP R	22K J 1/16W	1	
	R911	RK73HB1J000J	CHIP R	0.0 J 1/16W	1	
	R912	RK73HB1J000J	CHIP R	0.0 J 1/16W	1	
	R913	RK73HB1J000J	CHIP R	0.0 J 1/16W	1	
	R914	RK73HB1J000J	CHIP R	0.0 J 1/16W	1	
	R915	RK73HB1J272J	CHIP R	2.7K J 1/16W	1	
	R916	RK73HB1J000J	CHIP R	0.0 J 1/16W	1	
	R918	RK73GB2A000J	CHIP R	0.0 J 1/10W	1	
	R927	RK73GB2A000J	CHIP R	0.0 J 1/10W	1	
	R928	RK73HB1J101J	CHIP R	100 J 1/16W	1	
	R929	RK73HB1J101J	CHIP R	100 J 1/16W	1	
	R930	RK73HB1J101J	CHIP R	100 J 1/16W	1	
	R932	RK73HB1J000J	CHIP R	0.0 J 1/16W	1	
	R933	RK73HB1J103J	CHIP R	10K J 1/16W	1	
	R934	RK73HB1J000J	CHIP R	0.0 J 1/16W	1	
	R936	RK73HB1J101J	CHIP R	100 J 1/16W	1	
	R945	RK73HB1J000J	CHIP R	0.0 J 1/16W	1	
	R950	RK73HB1J102J	CHIP R	1.0K J 1/16W	1	
	R951	RK73HB1J222J	CHIP R	2.2K J 1/16W	1	
	R952	RK73HB1J272J	CHIP R	2.7K J 1/16W	1	
	R953	RK73HB1J000J	CHIP R	0.0 J 1/16W	1	
	R955	RK73HB1J102J	CHIP R	1.0K J 1/16W	1	
	R957	RK73HB1J102J	CHIP R	1.0K J 1/16W	1	
	L31	L92-0374-05	CHIP FERRITE		1	
	L33	L33-2600-05	CHOKO COIL	10U	1	
	L52	L33-2600-05	CHOKO COIL	10U	1	
	L82	L33-2681-05	CHOKO COIL	10U	1	
	L102	L33-2600-05	CHOKO COIL	10U	1	
	L151	L41-4792-62	SMALL FIXED INDUCTOR	4.7U	1	
	L171	L33-2440-05	SMALL FIXED INDUCTOR	33UH	1	
	L201	L92-0332-05	CHIP FERRITE		1	
	L202	L92-0332-05	CHIP FERRITE		1	
	L203	L41-4792-62	SMALL FIXED INDUCTOR	4.7U	1	
	L520	L92-0641-05	FERRITE CORE		1	
	L521	L92-0641-05	FERRITE CORE		1	
	L522	L92-0641-05	FERRITE CORE		1	
	L700	L41-1001-62	SMALL FIXED INDUCTOR	10U	1	K1
	L750	L33-2603-05	CHOKO COIL	22UF	1	
	L751	L33-2457-05	SMALL FIXED INDUCTOR	10UH	1	
	L801	L33-2457-05	SMALL FIXED INDUCTOR	10UH	1	
	L802	L33-2603-05	CHOKO COIL	22UF	1	
	L901	L92-0373-05	CHIP FERRITE		1	
	L902	L92-0373-05	CHIP FERRITE		1	
	A560	W02-5441-05	ELECTRIC CIRCUIT MODULE(GPS)	GPS MODULE CCA-600	1	
	A901	W02-5523-15	ELECTRIC CIRCUIT MODULE(BT)	FC6000 HOR_INT-A	1	
	CN101	E41-2980-05	FLAT CABLE CONNECTOR	STRAIGHT 60PIN	1	
	CN201	E41-2237-15	FLAT CABLE CONNECTOR	60P	1	
	CN202	E41-2248-05	PIN ASSY	8P	1	
	CN203	E41-1476-05	PIN ASSY	2P	1	
	CN204	E41-1476-05	PIN ASSY	2P	1	
	CN301	E41-3252-05	PIN ASSY	IMSA-9827B-70Y945	1	
	CN401	E41-2985-05	FLAT CABLE CONNECTOR	70PIN/FRONT LOCK	1	
	CN501	E41-2979-05	FLAT CABLE CONNECTOR	STRAIGHT 50PIN	1	
	CN521	E41-2673-05	PIN ASSY	4PIN TOP WHITE	1	
	CN522	E41-2359-05	PIN ASSY	4P 1MM TOP LF	1	
	CN601	E41-3254-05	SOCKET FOR PIN ASSY	IMSA-9827S-70Y919	1	
	CN660	E41-2964-05	PIN ASSY		1	
	CN801	E41-2264-05	PIN ASSY	4P	1	
	CN900	E41-3325-05	PIN ASSY	24R-JMCS-G-B-TF(NSA)	1	
	F801	F53-0321-15	FUSE	1.5A	1	
	F802	F53-0321-15	FUSE	1.5A	1	
	J400	E11-0625-05	PHONE JACK	LGY6502-0900	1	
	J560	E58-1145-05	RECTANGULAR RECEPTACLE	GT5	1	
	J582	E68-0826-15	JACK(SD CARD SLOT)		1	
	X201	L77-3846-05	CRYSTAL RESONATOR	12MHZ	1	
	X202	L77-2921-15	CRYSTAL RESONATOR	32.768KHZ 12.5PF	1	

MODEL	MARK	MODEL	MARK
DNX7190HD	K0	DNX9990HD	K1

Safe	Symbol No.	Parts No.	Parts Name	Description	QTY	Local
DAUGHTER UNIT (X89-3100-1x) <X89>						
	IC1	-	MICROPROCESSOR IC	Rep can not TCC8801F-0AX	1	
	IC3	TC7SG86FU-F	MOS-IC		1	
	IC4	THS8136PHP	MOS-IC	VIDEO DAC0-70DEG	1	
	IC5	TC7SG04FU-F	MOS-IC		1	
	IC6	ML86V8202T03	MOS-IC		1	
	IC7	XC6223B181P-G	ANALOGUE IC	1.8V	1	
	IC8	XC6223B331P-G	ANALOGUE IC	3.3V	1	
	IC400	XC6220B121P-G	ANALOGUE IC	1.2V 1A	1	
	IC500	W10-0752-08	ROM IC	TC58NV1S3ETI0	1	
	IC501	-	DRAM IC	Replacement can not H5PS1G83ES5C	1	
	IC502	-	DRAM IC	Replacement can not H5PS1G83ES5C	1	
	IC503	-	DRAM IC	Replacement can not H5PS1G83ES5C	1	
	IC504	-	DRAM IC	Replacement can not H5PS1G83ES5C	1	
	IC505	XC6223B181P-G	ANALOGUE IC	1.8V	1	
	IC506	XC6223B181P-G	ANALOGUE IC	1.8V	1	
	IC700	TC7W08FU-F	MOS-IC		1	
	Q700	LTC014YEBFS8	TRANSISTOR	R2/R1:47K/10K NPN	1	
	Q701	LTC014YEBFS8	TRANSISTOR	R2/R1:47K/10K NPN	1	
	Q702	LSCR523EBFS8	TRANSISTOR		1	K1
	Q703	LSCR523EBFS8	TRANSISTOR		1	
	D10	GS1J-LTP-X	DIODE	GS1J-LTP-X	1	
	C1	CK73FB0J226M	CHIP C	22UF M	1	
	C4	CK73FB0J226M	CHIP C	22UF M	1	
	C5	CK73FB0J226M	CHIP C	22UF M	1	
	C8	CK73HB0J105K	CHIP C	6.3V 1.0UF K	1	
	C9	CK73HB0J105K	CHIP C	6.3V 1.0UF K	1	
	C10	CC73HCH1H100D	CHIP C	50V 10PF D	1	
	C11	CC73HCH1H100D	CHIP C	50V 10PF D	1	
	C13	CK73FB0J106K	CHIP C	6.3V 10UF K	1	
	C14	CK73HB1A104K	CHIP C	10V 0.10UF K	1	
	C15	CK73FB0J106K	CHIP C	6.3V 10UF K	1	
	C16	CK73HB1A104K	CHIP C	10V 0.10UF K	1	
	C17	CK73HB1A104K	CHIP C	10V 0.10UF K	1	
	C18	CK73HB1A104K	CHIP C	10V 0.10UF K	1	
	C19	CK73HB1A104K	CHIP C	10V 0.10UF K	1	
	C20	CK73HB0J105K	CHIP C	6.3V 1.0UF K	1	
	C21	CK73HB1H102K	CHIP C	50V 1000PF K	1	
	C22	CK73HB1A104K	CHIP C	10V 0.10UF K	1	
	C23	CK73HB1A104K	CHIP C	10V 0.10UF K	1	
	C24	CK73FB0J106K	CHIP C	6.3V 10UF K	1	
	C25	CK73HB1H102K	CHIP C	50V 1000PF K	1	
	C26	CK73HB1A104K	CHIP C	10V 0.10UF K	1	
	C27	CK73GB0J475K	CHIP C	6.3V 4.7UF K	1	
	C28	CK73HB1A104K	CHIP C	10V 0.10UF K	1	
	C29	CK73HB1H102K	CHIP C	50V 1000PF K	1	
	C30	CK73HB1A104K	CHIP C	10V 0.10UF K	1	
	C31	CK73HB0J474K	CHIP C	6.3V 0.47UF K	1	
	C32	CK73HB0J474K	CHIP C	6.3V 0.47UF K	1	
	C33	CK73HB1A104K	CHIP C	10V 0.10UF K	1	
	C34	CK73HB1A104K	CHIP C	10V 0.10UF K	1	
	C35	CK73HB1A104K	CHIP C	10V 0.10UF K	1	
	C36	CK73HB0J474K	CHIP C	6.3V 0.47UF K	1	
	C37	CK73HB1A104K	CHIP C	10V 0.10UF K	1	
	C38	CK73FB0J106K	CHIP C	6.3V 10UF K	1	
	C39	CK73HB1A104K	CHIP C	10V 0.10UF K	1	
	C40	CK73GB0J475K	CHIP C	6.3V 4.7UF K	1	
	C41	CK73HB1H102K	CHIP C	50V 1000PF K	1	
	C42	CK73HB1A104K	CHIP C	10V 0.10UF K	1	
	C43	CK73HB1A104K	CHIP C	10V 0.10UF K	1	
	C44	CK73FB0J106K	CHIP C	6.3V 10UF K	1	
	C45	CK73HB1A104K	CHIP C	10V 0.10UF K	1	
	C46	CK73HB1A104K	CHIP C	10V 0.10UF K	1	
	C47	CK73HB1A104K	CHIP C	10V 0.10UF K	1	
	C48	CK73HB1A104K	CHIP C	10V 0.10UF K	1	
	C49	CK73HB1A104K	CHIP C	10V 0.10UF K	1	
	C50	CK73HB1A104K	CHIP C	10V 0.10UF K	1	
	C51	CK73HB1A104K	CHIP C	10V 0.10UF K	1	
	C55	CK73HB0J105K	CHIP C	6.3V 1.0UF K	1	
	C56	CK73HB0J105K	CHIP C	6.3V 1.0UF K	1	
	C60	CK73HB1H102K	CHIP C	50V 1000PF K	1	
	C61	CK73HB1H102K	CHIP C	50V 1000PF K	1	
	C62	CK73HB1H102K	CHIP C	50V 1000PF K	1	
	C63	CK73HB1H102K	CHIP C	50V 1000PF K	1	
	C64	CK73HB1H102K	CHIP C	50V 1000PF K	1	
	C65	CK73HB1H102K	CHIP C	50V 1000PF K	1	
	C66	CK73HB1H102K	CHIP C	50V 1000PF K	1	
	C67	CK73HB1H102K	CHIP C	50V 1000PF K	1	
	C68	CK73HB1H102K	CHIP C	50V 1000PF K	1	
	C69	CK73HB1H102K	CHIP C	50V 1000PF K	1	
	C71	CK73FB0J226M	CHIP C	22UF M	1	
	C200	CK73HB1A104K	CHIP C	10V 0.10UF K	1	
	C201	CK73HB1A104K	CHIP C	10V 0.10UF K	1	
	C202	CK73HB1A104K	CHIP C	10V 0.10UF K	1	
	C203	CK73FB0J106K	CHIP C	6.3V 10UF K	1	
	C204	CK73HB1A104K	CHIP C	10V 0.10UF K	1	
	C205	CK73HB1A104K	CHIP C	10V 0.10UF K	1	
	C206	CK73HB1A104K	CHIP C	10V 0.10UF K	1	

MODEL	MARK	MODEL	MARK
DNX7190HD	K0	DNX9990HD	K1

Safe	Symbol No.	Parts No.	Parts Name	Description	QTY	Local
	C207	CK73HB1E103K	CHIP C	25V 0.010UF K	1	
	C208	CK73FB0J106K	CHIP C	6.3V 10UF K	1	
	C209	CK73HB1A104K	CHIP C	10V 0.10UF K	1	
	C210	CK73HB1A104K	CHIP C	10V 0.10UF K	1	
	C211	CK73HB1A104K	CHIP C	10V 0.10UF K	1	
	C212	CK73HB1E103K	CHIP C	25V 0.010UF K	1	
	C213	CK73HB1A104K	CHIP C	10V 0.10UF K	1	
	C215	CK73HB1A104K	CHIP C	10V 0.10UF K	1	
	C216	CK73HB1A104K	CHIP C	10V 0.10UF K	1	
	C217	CK73FB0J106K	CHIP C	6.3V 10UF K	1	
	C218	CK73HB1A104K	CHIP C	10V 0.10UF K	1	
	C219	CK73HB1A104K	CHIP C	10V 0.10UF K	1	
	C220	CK73HB1A104K	CHIP C	10V 0.10UF K	1	
	C221	CK73HB1E103K	CHIP C	25V 0.010UF K	1	
	C222	CK73HB1A104K	CHIP C	10V 0.10UF K	1	
	C224	CK73HB1A104K	CHIP C	10V 0.10UF K	1	
	C225	CK73FB0J106K	CHIP C	6.3V 10UF K	1	
	C226	CK73HB1A104K	CHIP C	10V 0.10UF K	1	
	C227	CK73HB1A104K	CHIP C	10V 0.10UF K	1	
	C228	CK73HB1A104K	CHIP C	10V 0.10UF K	1	
	C229	CK73HB1E103K	CHIP C	25V 0.010UF K	1	
	C230	CK73HB1A104K	CHIP C	10V 0.10UF K	1	
	C232	CK73HB1A104K	CHIP C	10V 0.10UF K	1	
	C233	CK73HB1A104K	CHIP C	10V 0.10UF K	1	
	C234	CK73FB0J106K	CHIP C	6.3V 10UF K	1	
	C235	CK73HB1A104K	CHIP C	10V 0.10UF K	1	
	C236	CK73HB1A104K	CHIP C	10V 0.10UF K	1	
	C237	CK73HB1A104K	CHIP C	10V 0.10UF K	1	
	C238	CK73HB1E103K	CHIP C	25V 0.010UF K	1	
	C239	CK73HB1A104K	CHIP C	10V 0.10UF K	1	
	C241	CK73HB1A104K	CHIP C	10V 0.10UF K	1	
	C242	CK73HB1A104K	CHIP C	10V 0.10UF K	1	
	C243	CK73HB1A104K	CHIP C	10V 0.10UF K	1	
	C244	CK73HB1A104K	CHIP C	10V 0.10UF K	1	
	C245	CK73FB0J106K	CHIP C	6.3V 10UF K	1	
	C246	CK73HB1A104K	CHIP C	10V 0.10UF K	1	
	C247	CK73HB1A104K	CHIP C	10V 0.10UF K	1	
	C248	CK73HB1A104K	CHIP C	10V 0.10UF K	1	
	C249	CK73HB1E103K	CHIP C	25V 0.010UF K	1	
	C250	CK73FB0J106K	CHIP C	6.3V 10UF K	1	
	C251	CK73HB1A104K	CHIP C	10V 0.10UF K	1	
	C252	CK73HB1A104K	CHIP C	10V 0.10UF K	1	
	C253	CK73HB1A104K	CHIP C	10V 0.10UF K	1	
	C254	CK73HB1E103K	CHIP C	25V 0.010UF K	1	
	C255	CK73HB1A104K	CHIP C	10V 0.10UF K	1	
	C256	CK73HB1A104K	CHIP C	10V 0.10UF K	1	
	C257	CK73HB1A104K	CHIP C	10V 0.10UF K	1	
	C258	CK73HB1A104K	CHIP C	10V 0.10UF K	1	
	C259	CK73HB1A104K	CHIP C	10V 0.10UF K	1	
	C260	CK73HB1A104K	CHIP C	10V 0.10UF K	1	
	C261	CK73HB1A104K	CHIP C	10V 0.10UF K	1	
	C262	CK73FB0J106K	CHIP C	6.3V 10UF K	1	
	C263	CK73HB1A104K	CHIP C	10V 0.10UF K	1	
	C264	CK73HB1A104K	CHIP C	10V 0.10UF K	1	
	C265	CK73HB1A104K	CHIP C	10V 0.10UF K	1	
	C266	CK73HB1E103K	CHIP C	25V 0.010UF K	1	
	C267	CK73HB1A104K	CHIP C	10V 0.10UF K	1	
	C268	CK73HB1A104K	CHIP C	10V 0.10UF K	1	
	C269	CK73FB0J106K	CHIP C	6.3V 10UF K	1	
	C270	CK73HB1A104K	CHIP C	10V 0.10UF K	1	
	C271	CK73HB1E103K	CHIP C	25V 0.010UF K	1	
	C273	CK73FB0J106K	CHIP C	6.3V 10UF K	1	
	C274	CK73FB0J106K	CHIP C	6.3V 10UF K	1	
	C275	CK73HB1A104K	CHIP C	10V 0.10UF K	1	
	C276	CK73HB1A104K	CHIP C	10V 0.10UF K	1	
	C277	CK73HB1E103K	CHIP C	25V 0.010UF K	1	
	C278	CK73HB1E103K	CHIP C	25V 0.010UF K	1	
	C279	CK73HB1A104K	CHIP C	10V 0.10UF K	1	
	C280	CK73HB1A104K	CHIP C	10V 0.10UF K	1	
	C281	CK73HB1A104K	CHIP C	10V 0.10UF K	1	
	C282	CK73HB1A104K	CHIP C	10V 0.10UF K	1	
	C283	CK73HB1A104K	CHIP C	10V 0.10UF K	1	
	C284	CK73HB1A104K	CHIP C	10V 0.10UF K	1	
	C285	CK73FB0J106K	CHIP C	6.3V 10UF K	1	
	C286	CK73HB1A104K	CHIP C	10V 0.10UF K	1	
	C287	CK73HB1A104K	CHIP C	10V 0.10UF K	1	
	C288	CK73HB1A104K	CHIP C	10V 0.10UF K	1	
	C289	CK73HB1E103K	CHIP C	25V 0.010UF K	1	
	C290	CK73HB1A104K	CHIP C	10V 0.10UF K	1	
	C291	CK73HB1A104K	CHIP C	10V 0.10UF K	1	
	C292	CK73FB0J106K	CHIP C	6.3V 10UF K	1	
	C293	CK73HB1A104K	CHIP C	10V 0.10UF K	1	
	C294	CK73HB1A104K	CHIP C	10V 0.10UF K	1	
	C295	CK73HB1A104K	CHIP C	10V 0.10UF K	1	
	C296	CK73HB1E103K	CHIP C	25V 0.010UF K	1	
	C297	CK73HB1A104K	CHIP C	10V 0.10UF K	1	
	C400	CK73HB0J105K	CHIP C	6.3V 1.0UF K	1	
	C420	CK73HB0J105K	CHIP C	6.3V 1.0UF K	1	
	C421	CK73HB0J105K	CHIP C	6.3V 1.0UF K	1	
	C422	CK73HB0J105K	CHIP C	6.3V 1.0UF K	1	
	C423	CK73FB0J226M	CHIP C	22UF M	1	
	C430	CK73FB0J226M	CHIP C	22UF M	1	
	C431	CK73FB0J226M	CHIP C	22UF M	1	

MODEL	MARK	MODEL	MARK
DNX7190HD	K0	DNX9990HD	K1

Safe	Symbol No.	Parts No.	Parts Name	Description	QTY	Local
	C500	CK73FB0J106K	CHIP C	6.3V 10UF K	1	
	C501	CK73HB1A104K	CHIP C	10V 0.10UF K	1	
	C502	CK73HB1A104K	CHIP C	10V 0.10UF K	1	
	C503	CK73HB1A104K	CHIP C	10V 0.10UF K	1	
	C504	CK73HB1A104K	CHIP C	10V 0.10UF K	1	
	C505	CK73HB1A104K	CHIP C	10V 0.10UF K	1	
	C508	CK73HB1E103K	CHIP C	25V 0.010UF K	1	
	C509	CK73HB1A104K	CHIP C	10V 0.10UF K	1	
	C510	CK73FB0J106K	CHIP C	6.3V 10UF K	1	
	C511	CK73HB1A104K	CHIP C	10V 0.10UF K	1	
	C512	CK73HB1A104K	CHIP C	10V 0.10UF K	1	
	C513	CK73HB1A104K	CHIP C	10V 0.10UF K	1	
	C514	CK73HB1A104K	CHIP C	10V 0.10UF K	1	
	C515	CK73HB1A104K	CHIP C	10V 0.10UF K	1	
	C516	CK73HB0J105K	CHIP C	6.3V 1.0UF K	1	
	C517	CK73HB0J105K	CHIP C	6.3V 1.0UF K	1	
	C518	CK73HB1A104K	CHIP C	10V 0.10UF K	1	
	C519	CK73HB1A104K	CHIP C	10V 0.10UF K	1	
	C520	CK73HB0J105K	CHIP C	6.3V 1.0UF K	1	
	C521	CK73HB0J105K	CHIP C	6.3V 1.0UF K	1	
	C522	CK73HB0J105K	CHIP C	6.3V 1.0UF K	1	
	C523	CK73HB0J105K	CHIP C	6.3V 1.0UF K	1	
	C524	CK73HB1A104K	CHIP C	10V 0.10UF K	1	
	C525	CK73HB1A104K	CHIP C	10V 0.10UF K	1	
	C526	CK73HB0J105K	CHIP C	6.3V 1.0UF K	1	
	C527	CK73HB0J105K	CHIP C	6.3V 1.0UF K	1	
	C528	CK73HB0J105K	CHIP C	6.3V 1.0UF K	1	
	C529	CK73HB0J105K	CHIP C	6.3V 1.0UF K	1	
	C530	CK73HB0J105K	CHIP C	6.3V 1.0UF K	1	
	C531	CK73HB0J105K	CHIP C	6.3V 1.0UF K	1	
	C532	CK73HB1A104K	CHIP C	10V 0.10UF K	1	
	C533	CK73HB1A104K	CHIP C	10V 0.10UF K	1	
	C534	CK73HB0J105K	CHIP C	6.3V 1.0UF K	1	
	C535	CK73HB0J105K	CHIP C	6.3V 1.0UF K	1	
	C536	CK73HB1A104K	CHIP C	10V 0.10UF K	1	
	C537	CK73HB1A104K	CHIP C	10V 0.10UF K	1	
	C538	CK73HB0J105K	CHIP C	6.3V 1.0UF K	1	
	C539	CK73HB0J105K	CHIP C	6.3V 1.0UF K	1	
	C540	CK73HB1A104K	CHIP C	10V 0.10UF K	1	
	C541	CK73HB1A104K	CHIP C	10V 0.10UF K	1	
	C542	CK73HB0J105K	CHIP C	6.3V 1.0UF K	1	
	C543	CK73HB0J105K	CHIP C	6.3V 1.0UF K	1	
	C544	CK73HB1A104K	CHIP C	10V 0.10UF K	1	
	C545	CK73HB1A104K	CHIP C	10V 0.10UF K	1	
	C546	CK73HB0J105K	CHIP C	6.3V 1.0UF K	1	
	C547	CK73HB0J105K	CHIP C	6.3V 1.0UF K	1	
	C548	CK73HB0J105K	CHIP C	6.3V 1.0UF K	1	
	C549	CK73HB0J105K	CHIP C	6.3V 1.0UF K	1	
	C550	CK73FB0J106K	CHIP C	6.3V 10UF K	1	
	C551	CK73FB0J106K	CHIP C	6.3V 10UF K	1	
	C552	CK73EB0J476M	CHIP C	6.3V 47UF M	1	
	C553	CK73EB0J476M	CHIP C	6.3V 47UF M	1	
	C554	CK73EB0J476M	CHIP C	6.3V 47UF M	1	
	C555	CK73EB0J476M	CHIP C	6.3V 47UF M	1	
	C556	CK73HB1A104K	CHIP C	10V 0.10UF K	1	
	C557	CK73HB1A104K	CHIP C	10V 0.10UF K	1	
	C558	CK73HB0J105K	CHIP C	6.3V 1.0UF K	1	
	C559	CK73HB1A104K	CHIP C	10V 0.10UF K	1	
	C560	CK73HB1A104K	CHIP C	10V 0.10UF K	1	
	C561	CK73HB0J105K	CHIP C	6.3V 1.0UF K	1	
	C562	CK73HB1A104K	CHIP C	10V 0.10UF K	1	
	C563	CK73HB1A104K	CHIP C	10V 0.10UF K	1	
	C564	CK73HB0J105K	CHIP C	6.3V 1.0UF K	1	
	C565	CK73HB0J105K	CHIP C	6.3V 1.0UF K	1	
	C566	CK73HB0J105K	CHIP C	6.3V 1.0UF K	1	
	C567	CK73HB0J105K	CHIP C	6.3V 1.0UF K	1	
	C568	CK73HB0J105K	CHIP C	6.3V 1.0UF K	1	
	C569	CK73HB1A104K	CHIP C	10V 0.10UF K	1	
	C570	CK73HB1A104K	CHIP C	10V 0.10UF K	1	
	C571	CK73HB0J105K	CHIP C	6.3V 1.0UF K	1	
	C572	CK73HB0J105K	CHIP C	6.3V 1.0UF K	1	
	C573	CK73HB0J105K	CHIP C	6.3V 1.0UF K	1	
	C574	CK73HB0J105K	CHIP C	6.3V 1.0UF K	1	
	C575	CK73HB0J105K	CHIP C	6.3V 1.0UF K	1	
	C576	CK73HB1A104K	CHIP C	10V 0.10UF K	1	
	C577	CK73HB1A104K	CHIP C	10V 0.10UF K	1	
	C578	CK73HB0J105K	CHIP C	6.3V 1.0UF K	1	
	C579	CK73HB0J105K	CHIP C	6.3V 1.0UF K	1	
	C580	CK73HB1A104K	CHIP C	10V 0.10UF K	1	
	C581	CK73HB1A104K	CHIP C	10V 0.10UF K	1	
	C582	CK73HB0J105K	CHIP C	6.3V 1.0UF K	1	
	C583	CK73HB0J105K	CHIP C	6.3V 1.0UF K	1	
	C584	CK73HB0J105K	CHIP C	6.3V 1.0UF K	1	
	C585	CK73HB1A104K	CHIP C	10V 0.10UF K	1	
	C586	CK73HB1A104K	CHIP C	10V 0.10UF K	1	
	C587	CK73HB0J105K	CHIP C	6.3V 1.0UF K	1	
	C588	CK73HB1A104K	CHIP C	10V 0.10UF K	1	
	C589	CK73HB1A104K	CHIP C	10V 0.10UF K	1	
	C590	CK73HB0J105K	CHIP C	6.3V 1.0UF K	1	
	C591	CK73HB0J105K	CHIP C	6.3V 1.0UF K	1	
	C700	CC73HCH1H470J	CHIP C	50V 47PF J	1	
	C701	CC73HCH1H820J	CHIP C	50V 82PF J	1	

MODEL	MARK	MODEL	MARK
DNX7190HD	K0	DNX9990HD	K1

Safe	Symbol No.	Parts No.	Parts Name	Description	QTY	Local
	C702	CC73HCH1H820J	CHIP C	50V 82PF J	1	
	C703	CC73HCH1H470J	CHIP C	50V 47PF J	1	
	C704	CC73HCH1H470J	CHIP C	50V 47PF J	1	
	C705	CC73HCH1H470J	CHIP C	50V 47PF J	1	
	C706	CK73HB1A104K	CHIP C	10V 0.10UF K	1	
	C707	CK73HB1E103K	CHIP C	25V 0.010UF K	1	
	C709	CC73HCH1H220J	CHIP C	50V 22PF J	1	
	C710	CC73HCH1H220J	CHIP C	50V 22PF J	1	
	C711	CC73HCH1H150J	CHIP C	50V 15PF J	1	
	C712	CC73HCH1H050C	CHIP C	50V 5.0PF C	1	
	C713	CK73HB1E103K	CHIP C	25V 0.010UF K	1	
	C714	CK73HB1E103K	CHIP C	25V 0.010UF K	1	
	C717	CK73HB1E103K	CHIP C	25V 0.010UF K	1	
	C719	CK73HB1E103K	CHIP C	25V 0.010UF K	1	
	C918	CK73HB1A104K	CHIP C	10V 0.10UF K	1	
	C919	CK73HB0J105K	CHIP C	6.3V 1.0UF K	1	
	C920	CK73FB0J106K	CHIP C	6.3V 10UF K	1	
	C933	CK73HB1H102K	CHIP C	50V 1000PF K	1	
	C934	CK73HB1H102K	CHIP C	50V 1000PF K	1	
	R2	RK73GB2A000J	CHIP R	0.0 J 1/10W	1	
	R9	RK73GB2A000J	CHIP R	0.0 J 1/10W	1	
	R11	RK73HB1J000J	CHIP R	0.0 J 1/16W	1	
	R12	RK73HB1J000J	CHIP R	0.0 J 1/16W	1	
	R13	RK73HB1J220J	CHIP R	22 J 1/16W	1	
	R14	RK73HB1J821J	CHIP R	820 J 1/16W	1	
	R15	RK73HB1J223J	CHIP R	22K J 1/16W	1	
	R16	RK73HB1J105J	CHIP R	1.0M J 1/16W	1	
	R17	RK73GB2A331J	CHIP R	330 J 1/10W	1	
	R18	RK73HB1J101J	CHIP R	100 J 1/16W	1	
	R19	RK73HB1J111J	CHIP R	110 J 1/16W	1	
	R20	RK73HH1J430D	CHIP R	43 D 1/16W	1	
	R21	RK73HB1J223J	CHIP R	22K J 1/16W	1	
	R22	RK73HB1J103J	CHIP R	10K J 1/16W	1	
	R28	RK73GH2A362D	CHIP R	3.6K D 1/10W	1	
	R30	RK73HB1J223J	CHIP R	22K J 1/16W	1	
	R31	RK73HB1J223J	CHIP R	22K J 1/16W	1	
	R32	RK73GH2A201D	CHIP R	200 D 1/10W	1	
	R33	RK73HB1J100J	CHIP R	10 J 1/16W	1	
	R38	RK73HH1J750D	CHIP R	75 D 1/16W	1	
	R39	RK73HH1J750D	CHIP R	75 D 1/16W	1	
	R40	RK73HB1J103J	CHIP R	10K J 1/16W	1	
	R43	RK73HH1J750D	CHIP R	75 D 1/16W	1	
	R44	RK73HB1J000J	CHIP R	0.0 J 1/16W	1	
	R45	RK73HB1J000J	CHIP R	0.0 J 1/16W	1	
	R46	RK73HB1J000J	CHIP R	0.0 J 1/16W	1	
	R47	RK73GB2A000J	CHIP R	0.0 J 1/10W	1	
	R48	RK73GB2A000J	CHIP R	0.0 J 1/10W	1	
	R49	RK73GB2A000J	CHIP R	0.0 J 1/10W	1	
	R53	RK73HB1J680J	CHIP R	68 J 1/16W	1	
	R54	RK73HB1J103J	CHIP R	10K J 1/16W	1	
	R58	RK73HH1J122D	CHIP R	1.2K D 1/16W	1	
	R60	RK73HB1J220J	CHIP R	22 J 1/16W	1	
	R61	RK73HB1J220J	CHIP R	22 J 1/16W	1	
	R62	RK73HB1J220J	CHIP R	22 J 1/16W	1	
	R63	RK73HB1J220J	CHIP R	22 J 1/16W	1	
	R65	RK73HB1J272J	CHIP R	2.7K J 1/16W	1	
	R66	RK73HB1J272J	CHIP R	2.7K J 1/16W	1	
	R67	RK73HB1J220J	CHIP R	22 J 1/16W	1	
	R68	RK73HB1J000J	CHIP R	0.0 J 1/16W	1	
	R69	RK73HB1J000J	CHIP R	0.0 J 1/16W	1	
	R70	RK73HB1J000J	CHIP R	0.0 J 1/16W	1	
	R80	RK73GB2A000J	CHIP R	0.0 J 1/10W	1	
	R81	RK73HB1J000J	CHIP R	0.0 J 1/16W	1	
	R82	RK73HB1J000J	CHIP R	0.0 J 1/16W	1	
	R83	RK73HB1J151J	CHIP R	150 J 1/16W	1	
	R84	RK73FB2B101J	CHIP R	100 J 1/8W	1	
	R85	RK73GB2A000J	CHIP R	0.0 J 1/10W	1	
	R86	RK73GB2A000J	CHIP R	0.0 J 1/10W	1	
	R87	RK73GB2A000J	CHIP R	0.0 J 1/10W	1	
	R317	RK73HB1J000J	CHIP R	0.0 J 1/16W	1	
	R318	RK73HB1J000J	CHIP R	0.0 J 1/16W	1	
	R330	RK73HB1J000J	CHIP R	0.0 J 1/16W	1	
	R331	RK73HB1J000J	CHIP R	0.0 J 1/16W	1	
	R400	RK73HB1J223J	CHIP R	22K J 1/16W	1	
	R402	RK73HB1J473J	CHIP R	47K J 1/16W	1	
	R403	RK73HB1J473J	CHIP R	47K J 1/16W	1	
	R404	RK73HB1J272J	CHIP R	2.7K J 1/16W	1	
	R405	RK73HB1J473J	CHIP R	47K J 1/16W	1	
	R410	RK73GB2A000J	CHIP R	0.0 J 1/10W	1	
	R411	RK73HB1J151J	CHIP R	150 J 1/16W	1	
	R412	RK73GB2A000J	CHIP R	0.0 J 1/10W	1	
	R500	RK73HB1J332J	CHIP R	3.3K J 1/16W	1	
	R501	RK73HB1J220J	CHIP R	22 J 1/16W	1	
	R502	RK73HB1J220J	CHIP R	22 J 1/16W	1	
	R503	RK73HB1J220J	CHIP R	22 J 1/16W	1	
	R504	RK73HB1J220J	CHIP R	22 J 1/16W	1	
	R505	RK73HB1J220J	CHIP R	22 J 1/16W	1	
	R506	RK73HB1J220J	CHIP R	22 J 1/16W	1	
	R507	RK73HB1J220J	CHIP R	22 J 1/16W	1	
	R508	RK73HB1J220J	CHIP R	22 J 1/16W	1	
	R509	RK73HB1J272J	CHIP R	2.7K J 1/16W	1	
	R510	RK73HB1J220J	CHIP R	22 J 1/16W	1	

MODEL	MARK	MODEL	MARK
DNX7190HD	K0	DNX9990HD	K1

Safe	Symbol No.	Parts No.	Parts Name	Description	QTY	Local
	R511	RK73HB1J220J	CHIP R	22 J 1/16W	1	
	R512	RK73HB1J220J	CHIP R	22 J 1/16W	1	
	R513	RK73HB1J220J	CHIP R	22 J 1/16W	1	
	R514	RK73HB1J272J	CHIP R	2.7K J 1/16W	1	
	R515	RK73HB1J220J	CHIP R	22 J 1/16W	1	
	R516	RK73HB1J220J	CHIP R	22 J 1/16W	1	
	R517	RK73HB1J220J	CHIP R	22 J 1/16W	1	
	R518	RK73HB1J220J	CHIP R	22 J 1/16W	1	
	R519	RK73HB1J220J	CHIP R	22 J 1/16W	1	
	R520	RK73HB1J220J	CHIP R	22 J 1/16W	1	
	R521	RK73HB1J220J	CHIP R	22 J 1/16W	1	
	R522	RK73HB1J220J	CHIP R	22 J 1/16W	1	
	R523	RK73HB1J220J	CHIP R	22 J 1/16W	1	
	R524	RK73HB1J220J	CHIP R	22 J 1/16W	1	
	R525	RK73HB1J220J	CHIP R	22 J 1/16W	1	
	R526	RK73HB1J220J	CHIP R	22 J 1/16W	1	
	R527	RK73HB1J101J	CHIP R	100 J 1/16W	1	
	R528	RK73HB1J220J	CHIP R	22 J 1/16W	1	
	R529	RK73HB1J220J	CHIP R	22 J 1/16W	1	
	R530	RK73HB1J220J	CHIP R	22 J 1/16W	1	
	R531	RK73HB1J220J	CHIP R	22 J 1/16W	1	
	R532	RK73HB1J220J	CHIP R	22 J 1/16W	1	
	R533	RK73HB1J220J	CHIP R	22 J 1/16W	1	
	R534	RK73HB1J220J	CHIP R	22 J 1/16W	1	
	R535	RK73HB1J220J	CHIP R	22 J 1/16W	1	
	R536	RK73HB1J220J	CHIP R	22 J 1/16W	1	
	R537	RK73HB1J220J	CHIP R	22 J 1/16W	1	
	R538	RK73HB1J220J	CHIP R	22 J 1/16W	1	
	R539	RK73HB1J220J	CHIP R	22 J 1/16W	1	
	R540	RK73HB1J220J	CHIP R	22 J 1/16W	1	
	R541	RK73HB1J330J	CHIP R	33 J 1/16W	1	
	R542	RK73HB1J220J	CHIP R	22 J 1/16W	1	
	R543	RK73HB1J000J	CHIP R	0.0 J 1/16W	1	
	R544	RK73HB1J220J	CHIP R	22 J 1/16W	1	
	R545	RK73HB1J220J	CHIP R	22 J 1/16W	1	
	R546	RK73HB1J220J	CHIP R	22 J 1/16W	1	
	R547	RK73HB1J220J	CHIP R	22 J 1/16W	1	
	R548	RK73HB1J220J	CHIP R	22 J 1/16W	1	
	R549	RK73HB1J220J	CHIP R	22 J 1/16W	1	
	R550	RK73HB1J220J	CHIP R	22 J 1/16W	1	
	R551	RK73HB1J220J	CHIP R	22 J 1/16W	1	
	R552	RK73HB1J220J	CHIP R	22 J 1/16W	1	
	R553	RK73HB1J220J	CHIP R	22 J 1/16W	1	
	R554	RK73HB1J220J	CHIP R	22 J 1/16W	1	
	R555	RK73HB1J220J	CHIP R	22 J 1/16W	1	
	R556	RK73HB1J000J	CHIP R	0.0 J 1/16W	1	
	R557	RK73HB1J000J	CHIP R	0.0 J 1/16W	1	
	R558	RK73HB1J220J	CHIP R	22 J 1/16W	1	
	R559	RK73HB1J220J	CHIP R	22 J 1/16W	1	
	R560	RK73HB1J220J	CHIP R	22 J 1/16W	1	
	R561	RK73HB1J220J	CHIP R	22 J 1/16W	1	
	R562	RK73HB1J220J	CHIP R	22 J 1/16W	1	
	R563	RK73HB1J220J	CHIP R	22 J 1/16W	1	
	R564	RK73HB1J000J	CHIP R	0.0 J 1/16W	1	
	R565	RK73HB1J000J	CHIP R	0.0 J 1/16W	1	
	R566	RK73HB1J220J	CHIP R	22 J 1/16W	1	
	R567	RK73HB1J220J	CHIP R	22 J 1/16W	1	
	R568	RK73HB1J220J	CHIP R	22 J 1/16W	1	
	R569	RK73HH1J241D	CHIP R	240 D 1/16W	1	
	R570	RK73HB1J103J	CHIP R	10K J 1/16W	1	
	R571	RK73HH1J103D	CHIP R	10K D 1/16W	1	
	R572	RK73HH1J103D	CHIP R	10K D 1/16W	1	
	R573	RK73HH1J103D	CHIP R	10K D 1/16W	1	
	R574	RK73HH1J103D	CHIP R	10K D 1/16W	1	
	R575	RK73HB1J272J	CHIP R	2.7K J 1/16W	1	
	R577	RK73HB1J220J	CHIP R	22 J 1/16W	1	
	R578	RK73HB1J220J	CHIP R	22 J 1/16W	1	
	R579	RK73HB1J220J	CHIP R	22 J 1/16W	1	
	R580	RK73HB1J220J	CHIP R	22 J 1/16W	1	
	R581	RK73HB1J220J	CHIP R	22 J 1/16W	1	
	R582	RK73HB1J220J	CHIP R	22 J 1/16W	1	
	R583	RK73HB1J220J	CHIP R	22 J 1/16W	1	
	R584	RK73HB1J220J	CHIP R	22 J 1/16W	1	
	R585	RK73HB1J220J	CHIP R	22 J 1/16W	1	
	R586	RK73HB1J220J	CHIP R	22 J 1/16W	1	
	R587	RK73HB1J220J	CHIP R	22 J 1/16W	1	
	R588	RK73HB1J220J	CHIP R	22 J 1/16W	1	
	R589	RK73HB1J220J	CHIP R	22 J 1/16W	1	
	R590	RK73HB1J220J	CHIP R	22 J 1/16W	1	
	R591	RK73HB1J220J	CHIP R	22 J 1/16W	1	
	R592	RK73HB1J220J	CHIP R	22 J 1/16W	1	
	R593	RK73HB1J101J	CHIP R	100 J 1/16W	1	
	R594	RK73HB1J220J	CHIP R	22 J 1/16W	1	
	R595	RK73HB1J220J	CHIP R	22 J 1/16W	1	
	R596	RK73HB1J220J	CHIP R	22 J 1/16W	1	
	R597	RK73HB1J220J	CHIP R	22 J 1/16W	1	
	R598	RK73HB1J220J	CHIP R	22 J 1/16W	1	
	R599	RK73HB1J220J	CHIP R	22 J 1/16W	1	
	R602	RK73HB1J103J	CHIP R	10K J 1/16W	1	
	R603	RK73HB1J472J	CHIP R	4.7K J 1/16W	1	
	R604	RK73HB1J272J	CHIP R	2.7K J 1/16W	1	
	R700	RK73HB1J220J	CHIP R	22 J 1/16W	1	
	R701	RK73HB1J470J	CHIP R	47 J 1/16W	1	

MODEL	MARK	MODEL	MARK
DNX7190HD	K0	DNX9990HD	K1

Safe	Symbol No.	Parts No.	Parts Name	Description	QTY	Local
	R703	RK73HB1J223J	CHIP R	22K J 1/16W	1	
	R704	RK73HB1J223J	CHIP R	22K J 1/16W	1	
	R708	RK73HB1J220J	CHIP R	22 J 1/16W	1	
	R709	RK73HB1J272J	CHIP R	2.7K J 1/16W	1	
	R710	RK73HB1J272J	CHIP R	2.7K J 1/16W	1	
	R711	RK73HB1J272J	CHIP R	2.7K J 1/16W	1	
	R712	RK73HB1J272J	CHIP R	2.7K J 1/16W	1	
	R713	RK73HB1J272J	CHIP R	2.7K J 1/16W	1	
	R714	RK73HB1J223J	CHIP R	22K J 1/16W	1	
	R716	RK73HB1J220J	CHIP R	22 J 1/16W	1	
	R717	RK73HB1J220J	CHIP R	22 J 1/16W	1	
	R718	RK73HB1J223J	CHIP R	22K J 1/16W	1	
	R719	RK73HB1J223J	CHIP R	22K J 1/16W	1	
	R720	RK73HB1J272J	CHIP R	2.7K J 1/16W	1	
	R721	RK73HB1J220J	CHIP R	22 J 1/16W	1	
	R722	RK73HB1J220J	CHIP R	22 J 1/16W	1	
	R727	RK73HB1J220J	CHIP R	22 J 1/16W	1	
	R728	RK73HB1J220J	CHIP R	22 J 1/16W	1	
	R729	RK73HB1J220J	CHIP R	22 J 1/16W	1	
	R730	RK73HB1J220J	CHIP R	22 J 1/16W	1	
	R731	RK73HB1J220J	CHIP R	22 J 1/16W	1	
	R732	RK73HB1J220J	CHIP R	22 J 1/16W	1	
	R733	RK73HB1J220J	CHIP R	22 J 1/16W	1	
	R736	RK73HB1J220J	CHIP R	22 J 1/16W	1	
	R737	RK73HB1J220J	CHIP R	22 J 1/16W	1	
	R738	RK73HB1J101J	CHIP R	100 J 1/16W	1	
	R739	RK73HB1J101J	CHIP R	100 J 1/16W	1	
	R740	RK73HB1J101J	CHIP R	100 J 1/16W	1	
	R741	RK73HB1J220J	CHIP R	22 J 1/16W	1	
	R742	RK73HB1J220J	CHIP R	22 J 1/16W	1	
	R743	RK73HB1J220J	CHIP R	22 J 1/16W	1	
	R744	RK73HB1J220J	CHIP R	22 J 1/16W	1	
	R745	RK73HB1J220J	CHIP R	22 J 1/16W	1	
	R746	RK73HB1J220J	CHIP R	22 J 1/16W	1	
	R747	RK73HB1J220J	CHIP R	22 J 1/16W	1	
	R750	RK73HB1J220J	CHIP R	22 J 1/16W	1	
	R751	RK73HB1J220J	CHIP R	22 J 1/16W	1	
	R754	RK73HB1J220J	CHIP R	22 J 1/16W	1	
	R758	RK73HB1J101J	CHIP R	100 J 1/16W	1	
	R759	RK73HB1J101J	CHIP R	100 J 1/16W	1	
	R760	RK73HB1J101J	CHIP R	100 J 1/16W	1	
	R761	RK73HB1J220J	CHIP R	22 J 1/16W	1	
	R762	RK73HB1J220J	CHIP R	22 J 1/16W	1	
	R767	RK73HB1J220J	CHIP R	22 J 1/16W	1	
	R768	RK73HB1J220J	CHIP R	22 J 1/16W	1	
	R769	RK73HB1J220J	CHIP R	22 J 1/16W	1	
	R770	RK73HB1J220J	CHIP R	22 J 1/16W	1	
	R771	RK73HB1J103J	CHIP R	10K J 1/16W	1	
	R775	RK73HB1J44R2D	CHIP R	44.2 D 1/16W	1	
	R776	RK73HB1J44R2D	CHIP R	44.2 D 1/16W	1	
	R777	RK73HB1J472J	CHIP R	4.7K J 1/16W	1	
	R778	RK73HB1J472J	CHIP R	4.7K J 1/16W	1	
	R779	RK73HB1J472J	CHIP R	4.7K J 1/16W	1	
	R781	RK73HB1J222J	CHIP R	2.2K J 1/16W	1	
	R782	RK73HB1J222J	CHIP R	2.2K J 1/16W	1	
	R784	RK73HB1J220J	CHIP R	22 J 1/16W	1	
	R789	RK73HB1J222J	CHIP R	2.2K J 1/16W	1	
	R790	RK73GB2A106J	CHIP R	10M J 1/10W	1	
	R791	RK73HB1J334J	CHIP R	330K J 1/16W	1	
	R792	RK73HB1J182J	CHIP R	1.8K J 1/16W	1	
	R793	RK73HB1J182J	CHIP R	1.8K J 1/16W	1	
	R794	RK73HB1J223J	CHIP R	22K J 1/16W	1	
	R795	RK73HB1J223J	CHIP R	22K J 1/16W	1	
	R796	RK73HB1J223J	CHIP R	22K J 1/16W	1	
	R799	RK73HB1J105J	CHIP R	1.0M J 1/16W	1	
	R800	RK73HB1J000J	CHIP R	0.0 J 1/16W	1	
	R801	RK73HB1J102J	CHIP R	1.0K J 1/16W	1	
	R804	RK73HB1J102J	CHIP R	1.0K J 1/16W	1	
	R806	RK73HB1J102J	CHIP R	1.0K J 1/16W	1	
	R807	RK73HB1J103J	CHIP R	10K J 1/16W	1	
	R808	RK73HB1J223J	CHIP R	22K J 1/16W	1	
	R809	RK73HB1J220J	CHIP R	22 J 1/16W	1	
	R810	RK73HB1J223J	CHIP R	22K J 1/16W	1	
	R811	RK73HB1J220J	CHIP R	22 J 1/16W	1	
	R812	RK73HB1J473J	CHIP R	47K J 1/16W	1	
	R813	RK73HB1J220J	CHIP R	22 J 1/16W	1	
	R814	RK73HB1J222J	CHIP R	2.2K J 1/16W	1	
	R817	RK73HB1J220J	CHIP R	22 J 1/16W	1	
	R818	RK73HB1J220J	CHIP R	22 J 1/16W	1	
	R819	RK73HB1J473J	CHIP R	47K J 1/16W	1	K1
	R820	RK73HB1J220J	CHIP R	22 J 1/16W	1	
	R823	RK73HB1J220J	CHIP R	22 J 1/16W	1	
	R824	RK73HB1J222J	CHIP R	2.2K J 1/16W	1	
	R827	RK73HB1J220J	CHIP R	22 J 1/16W	1	
	R828	RK73HB1J220J	CHIP R	22 J 1/16W	1	
	R829	RK73HB1J220J	CHIP R	22 J 1/16W	1	
	R830	RK73HB1J220J	CHIP R	22 J 1/16W	1	
	R831	RK73HB1J220J	CHIP R	22 J 1/16W	1	
	R832	RK73HB1J220J	CHIP R	22 J 1/16W	1	
	R833	RK73HB1J473J	CHIP R	47K J 1/16W	1	
	R834	RK73HB1J220J	CHIP R	22 J 1/16W	1	
	R835	RK73HB1J220J	CHIP R	22 J 1/16W	1	

MODEL	MARK	MODEL	MARK
DNX7190HD	K0	DNX9990HD	K1

Safe	Symbol No.	Parts No.	Parts Name	Description	QTY	Local
	R836	RK73HB1J220J	CHIP R	22 J 1/16W	1	
	R837	RK73HB1J220J	CHIP R	22 J 1/16W	1	
	R840	RK73HB1J272J	CHIP R	2.7K J 1/16W	1	
	R841	RK73HB1J102J	CHIP R	1.0K J 1/16W	1	
	R842	RK73HB1J102J	CHIP R	1.0K J 1/16W	1	
	R843	RK73HB1J220J	CHIP R	22 J 1/16W	1	
	R844	RK73HB1J220J	CHIP R	22 J 1/16W	1	
	R846	RK73HB1J220J	CHIP R	22 J 1/16W	1	
	R847	RK73HB1J220J	CHIP R	22 J 1/16W	1	
	R848	RK73HB1J223J	CHIP R	22K J 1/16W	1	
	R849	RK73HB1J220J	CHIP R	22 J 1/16W	1	
	R850	RK73HB1J220J	CHIP R	22 J 1/16W	1	
	R851	RK73HB1J101J	CHIP R	100 J 1/16W	1	
	R852	RK73HB1J223J	CHIP R	22K J 1/16W	1	
	R853	RK73HB1J220J	CHIP R	22 J 1/16W	1	
	R870	RK73HB1J272J	CHIP R	2.7K J 1/16W	1	
	R900	RK73HB1J220J	CHIP R	22 J 1/16W	1	K1
	R901	RK73HB1J220J	CHIP R	22 J 1/16W	1	
	R910	RK73HB1J272J	CHIP R	2.7K J 1/16W	1	
	R925	RK73HB1J473J	CHIP R	47K J 1/16W	1	
	R936	RK73HB1J000J	CHIP R	0.0 J 1/16W	1	
	R937	RK73HB1J000J	CHIP R	0.0 J 1/16W	1	
	R938	RK73GB2A000J	CHIP R	0.0 J 1/10W	1	
	R939	RK73HB1J000J	CHIP R	0.0 J 1/16W	1	
	R940	RK73HB1J000J	CHIP R	0.0 J 1/16W	1	
	R946	RK73HB1J220J	CHIP R	22 J 1/16W	1	
	R947	RK73HB1J220J	CHIP R	22 J 1/16W	1	
	R948	RK73GB2A000J	CHIP R	0.0 J 1/10W	1	
	R949	RK73HB1J223J	CHIP R	22K J 1/16W	1	K1
	R950	RK73HB1J223J	CHIP R	22K J 1/16W	1	
	R951	RK73HB1J272J	CHIP R	2.7K J 1/16W	1	K0
	L2	L92-0373-05	CHIP FERRITE		1	
	L3	L92-0373-05	CHIP FERRITE		1	
	L5	L92-0373-05	CHIP FERRITE		1	
	L10	L92-0373-05	CHIP FERRITE		1	
	L200	L92-0373-05	CHIP FERRITE		1	
	L202	L92-0373-05	CHIP FERRITE		1	
	L203	L92-0373-05	CHIP FERRITE		1	
	L204	L92-0373-05	CHIP FERRITE		1	
	L205	L92-0373-05	CHIP FERRITE		1	
	L206	L92-0373-05	CHIP FERRITE		1	
	L207	L92-0373-05	CHIP FERRITE		1	
	L208	L92-0373-05	CHIP FERRITE		1	
	L209	L92-0373-05	CHIP FERRITE		1	
	L211	L92-0373-05	CHIP FERRITE		1	
	L212	L92-0373-05	CHIP FERRITE		1	
	L213	L92-0373-05	CHIP FERRITE		1	
	L215	L92-0373-05	CHIP FERRITE		1	
	L400	L92-0373-05	CHIP FERRITE		1	
	L500	L92-0373-05	CHIP FERRITE		1	
	L501	L92-0373-05	CHIP FERRITE		1	
	L502	L92-0373-05	CHIP FERRITE		1	
	L503	L92-0373-05	CHIP FERRITE		1	
	L504	L92-0373-05	CHIP FERRITE		1	
	L700	L92-0373-05	CHIP FERRITE		1	
	L901	L92-0373-05	CHIP FERRITE		1	
	L904	L92-1001-05	CHIP FERRITE		1	
	L905	L92-1001-05	CHIP FERRITE		1	K1
	CN101	E41-2237-15	FLAT CABLE CONNECTOR	0.5 60P	1	
	CN400	E41-2603-05	FLAT CABLE CONNECTOR	0.5/50P/DOWN/SN	1	
	CN601	E41-3252-05	PIN ASSY	IMSA-9827B-70Y945	1	
	CN901	E41-2839-05	PIN ASSY	10PIN	1	
	CP1	RK74HB1J101J	CHIP-COM	100 J 1/16W	1	
	CP2	RK74HB1J101J	CHIP-COM	100 J 1/16W	1	
	CP3	RK74HB1J220J	CHIP-COM	22 J 1/16W	1	
	CP4	RK74HB1J220J	CHIP-COM	22 J 1/16W	1	
	CP5	RK74HB1J220J	CHIP-COM	22 J 1/16W	1	
	CP6	RK74HB1J220J	CHIP-COM	22 J 1/16W	1	
	CP7	RK74HB1J220J	CHIP-COM	22 J 1/16W	1	
	CP8	RK74HB1J220J	CHIP-COM	22 J 1/16W	1	
	CP400	RK74HB1J473J	CHIP-COM	47K J 1/16W	1	
	CP501	RK74HB1J220J	CHIP-COM	22 J 1/16W	1	
	CP502	RK74HB1J220J	CHIP-COM	22 J 1/16W	1	
	CP503	RK74HB1J220J	CHIP-COM	22 J 1/16W	1	
	CP504	RK74HB1J220J	CHIP-COM	22 J 1/16W	1	
	CP505	RK74HB1J220J	CHIP-COM	22 J 1/16W	1	
	CP506	RK74HB1J220J	CHIP-COM	22 J 1/16W	1	
	CP507	RK74HB1J220J	CHIP-COM	22 J 1/16W	1	
	CP508	RK74HB1J220J	CHIP-COM	22 J 1/16W	1	
	CP700	RK74HB1J220J	CHIP-COM	22 J 1/16W	1	
	CP900	RK74HB1J473J	CHIP-COM	47K J 1/16W	1	
	J900	-	JACK(M-SD)	Replacement can not MICRO SD CONNECTER	1	
	X1	L77-3876-05	CRYSTAL RESONATOR	32MHZ 50PPM	1	
	X700	L77-2921-15	CRYSTAL RESONATOR	32.768KHZ 12.5PF	1	
	X701	L77-3873-05	CRYSTAL RESONATOR	12.000MHZ	1	

ELECTRIC UNIT (X34-7220-1x) <X34>

IC31	LV5680P	IC	1	
IC201	TB2926HQ	IC	1	K0
IC201	TB2923HQ	ANALOGUE IC	1	K1

MODEL	MARK	MODEL	MARK
DNX7190HD	K0	DNX9990HD	K1

Safe	Symbol No.	Parts No.	Parts Name	Description	QTY	Local
	IC221	NJU7109F3-ZB	ANALOGUE IC		1	K1
	IC222	NJM4565V-ZB	ANALOGUE IC		1	K1
	IC251	NJM4565V-ZB	ANALOGUE IC		1	K1
	IC261	AK4113VF	MOS-IC		1	K1
	IC281	XC6213B332N-G	ANALOGUE IC	3.3V	1	K1
	IC301	E-TDA7415CB	ANALOGUE IC		1	
	IC351	AN15863UA-VB	ANALOGUE IC		1	
	IC401	NJW1240V-ZB	ANALOGUE IC	5V-AMP	1	K1
	IC451	AK7601VQ	MOS-IC	DSP	1	
	IC552	TC7SET32FU-F	MOS-IC		1	
	IC581	TB6593FNG	ANALOGUE IC	20PIN	1	
	IC601	-	MOS-IC Replacement can	SI4706-D50	1	
			not			
	IC602	XC6201P332PR	ANALOGUE IC	3.3V/500MW/SOT-89	1	
	IC851	RP132J001B-X	IC		1	
	IC861	XC6223B121P-G	ANALOGUE IC	1.2V	1	
	IC871	E-LD1117DTC	ANALOGUE IC	800MA ADJ	1	
	IC881	XC6201P502PR	ANALOGUE IC	5.0V/500MW/SOT-89	1	
	Q50	LTC014TUBFS8	TRANSISTOR	R2/R1:-/10K NPN	1	
	Q51	LSCR523UBFS8	TRANSISTOR		1	
	Q52	2SAR533D	TRANSISTOR		1	
	Q53	LSAR523UBFS8	TRANSISTOR		1	
	Q54	LSCR523UBFS8	TRANSISTOR		1	
	Q55	LSCR523UBFS8	TRANSISTOR		1	
	Q70	LSCR523UBFS8	TRANSISTOR		1	
	Q71	LSAR523UBFS8	TRANSISTOR		1	
	Q72	LSCR523UBFS8	TRANSISTOR		1	
	Q73	LSAR523UBFS8	TRANSISTOR		1	
	Q100	LTC024EUBFS8	TRANSISTOR	R2/R1:22K/22K NPN	1	
	Q110	LTA014YUBFS8	TRANSISTOR	R2/R1:47K/10K PNP	1	
	Q111	LSCR523UBFS8	TRANSISTOR		1	
	Q112	LSCR523UBFS8	TRANSISTOR		1	
	Q140	LTC024EUBFS8	TRANSISTOR	R2/R1:22K/22K NPN	1	
	Q150	LSCR523UBFS8	TRANSISTOR		1	
	Q220	LTC044EUBFS8	TRANSISTOR	R2/R1:47K/47K NPN	1	K1
	Q221	LTC044EUBFS8	TRANSISTOR	R2/R1:47K/47K NPN	1	K1
	Q223	LSAR523UBFS8	TRANSISTOR		1	K1
	Q224	LSCR523EBFS8	TRANSISTOR		1	K1
	Q301	LTA014EEBFS8	TRANSISTOR	R2/R1:10K/10K PNP	1	
	Q302	LTC043TUBFS8	TRANSISTOR	R2/R1:-/4.7K NPN	1	
	Q303	LTC043TUBFS8	TRANSISTOR	R2/R1:-/4.7K NPN	1	
	Q400	LTC043TUBFS8	TRANSISTOR	R2/R1:-/4.7K NPN	1	
	Q401	LTC043TUBFS8	TRANSISTOR	R2/R1:-/4.7K NPN	1	
	Q402	LTA043ZUBFS8	TRANSISTOR	R2/R1:47K/4.7K PNP	1	
	Q403	LTC014YUBFS8	TRANSISTOR	R2/R1:47K/10K NPN	1	
	Q404	LTC043TUBFS8	TRANSISTOR	R2/R1:-/4.7K NPN	1	
	Q405	LTC043TUBFS8	TRANSISTOR	R2/R1:-/4.7K NPN	1	
	Q406	LTC043TUBFS8	TRANSISTOR	R2/R1:-/4.7K NPN	1	
	Q407	LTC043TUBFS8	TRANSISTOR	R2/R1:-/4.7K NPN	1	
	Q408	LTA043ZUBFS8	TRANSISTOR	R2/R1:47K/4.7K PNP	1	
	Q409	LTC014YUBFS8	TRANSISTOR	R2/R1:47K/10K NPN	1	
	Q451	2SK1824-A	FET		1	K1
	Q452	2SK1824-A	FET		1	K1
	Q453	2SB1689	TRANSISTOR		1	
	Q454	LTC044EUBFS8	TRANSISTOR	R2/R1:47K/47K NPN	1	
	Q500	LSCR523UBFS8	TRANSISTOR		1	
	Q570	LTC014YUBFS8	TRANSISTOR	R2/R1:47K/10K NPN	1	
	Q571	LSCR523UBFS8	TRANSISTOR		1	
	Q572	2SAR533D	TRANSISTOR		1	
	Q600	LSAR523UBFS8	TRANSISTOR		1	K0
	Q601	LSCR523UBFS8	TRANSISTOR		1	K0
	Q801	LTA014YUBFS8	TRANSISTOR	R2/R1:47K/10K PNP	1	
	Q802	LTC043TUBFS8	TRANSISTOR	R2/R1:-/4.7K NPN	1	
	Q803	LTC043TUBFS8	TRANSISTOR	R2/R1:-/4.7K NPN	1	
	Q820	3SK263-E	DUAL FET		1	
	D1	RR264M-400	DIODE		1	K1
	D2	RR264M-400	DIODE		1	K1
	D3	1N5402-BPC04	SI DIODE	1N5402-BPC04	1	
	D50	GS1J-LTP-X	DIODE	GS1J-LTP-X	1	
	D51	GS1J-LTP-X	DIODE	GS1J-LTP-X	1	
	D70	VR1005CCA270	VARIISTOR	15V 27V 15P	1	
	D72	RKS801KF	DIODE		1	
	D100	RKS801KF	DIODE		1	
	D110	RKS801KF	DIODE		1	
	D111	VR1005AAA180	VARIISTOR	10V 18V 140P	1	
	D120	RKZ6.2KG(B2)	Z DIODE		1	
	D130	RKZ4.7KG(B2)	Z DIODE		1	
	D140	RKS801KF	DIODE		1	
	D150	RKZ6.2KG(B2)	Z DIODE		1	
	D151	RKS801KF	DIODE		1	
	D160	RR264M-400	DIODE		1	
	D161	GS1J-LTP-X	DIODE	GS1J-LTP-X	1	
	D170	RR264M-400	DIODE		1	
	D171	GS1J-LTP-X	DIODE	GS1J-LTP-X	1	
	D201	MC2846-T111	DIODE		1	
	D220	RKS801KF	DIODE		1	K1
	D221	RKZ5.6KG(B2)	Z DIODE		1	K1
	D222	RKS801KF	DIODE		1	K1
	D300	RKZ5.6KG(B2)	Z DIODE		1	K0
	D301	RKS801KF	DIODE		1	
	D302	RKS801KF	DIODE		1	
	D303	MC2846-T111	DIODE		1	
	D304	MC2846-T111	DIODE		1	

MODEL	MARK	MODEL	MARK
DNX7190HD	K0	DNX9990HD	K1

Safe	Symbol No.	Parts No.	Parts Name	Description	QTY	Local
	D305	MC2846-T111	DIODE		1	
	D306	GS1J-LTP-X	DIODE	GS1J-LTP-X	1	K0
	D307	MC2846-T111	DIODE		1	
	D401	MC2846-T111	DIODE		1	
	D402	MC2846-T111	DIODE		1	
	D432	VR1005AAA180	VARISTOR	10V 18V 140P	1	
	D433	VR1005AAA180	VARISTOR	10V 18V 140P	1	
	D434	VR1005AAA180	VARISTOR	10V 18V 140P	1	
	D435	VR1005AAA180	VARISTOR	10V 18V 140P	1	
	D436	VR1005AAA180	VARISTOR	10V 18V 140P	1	
	D437	VR1005AAA180	VARISTOR	10V 18V 140P	1	
	D438	VR1005AAA180	VARISTOR	10V 18V 140P	1	
	D500	VR1005AAA180	VARISTOR	10V 18V 140P	1	
	D501	VR1005AAA270	VARISTOR	15V 27V 40P	1	
	D502	VR1005AAA180	VARISTOR	10V 18V 140P	1	
	D503	VR1005AAA180	VARISTOR	10V 18V 140P	1	
	D550	VR1005AAA270	VARISTOR	15V 27V 40P	1	
	D551	VR1005AAA270	VARISTOR	15V 27V 40P	1	
	D552	VR1005AAA270	VARISTOR	15V 27V 40P	1	
	D553	VR1005AAA180	VARISTOR	10V 18V 140P	1	
	D554	VR1005AAA180	VARISTOR	10V 18V 140P	1	
	D555	VR1005AAA180	VARISTOR	10V 18V 140P	1	
	D581	RKZ4.7KG(B2)	Z DIODE		1	
	D602	RKS801KF	DIODE		1	
	D821	EZAEG3A50A	SURGE ABSORBER		1	
	D850	RKS801KF	DIODE		1	
	D851	GS1J-LTP-X	DIODE	GS1J-LTP-X	1	
	D870	CRS04	DIODE		1	
	D880	GS1J-LTP-X	DIODE	GS1J-LTP-X	1	
	D881	RKS801KF	DIODE		1	
	C1	C90-6866-05	ELECTRO	6800UF 16WV	1	
	C2	CK73GB1H104K	CHIP C	50V 0.10UF K	1	
	C3	CK73GB1H104K	CHIP C	50V 0.10UF K	1	
	C4	CK73HB1H222K	CHIP C	50V 2200PF K	1	
	C5	CK73HB1H222K	CHIP C	50V 2200PF K	1	
	C6	CK73HB1H222K	CHIP C	50V 2200PF K	1	
	C7	CK73HB1H222K	CHIP C	50V 2200PF K	1	
	C8	CK73HB1H222K	CHIP C	50V 2200PF K	1	
	C9	CK73HB1H222K	CHIP C	50V 2200PF K	1	
	C10	CK73HB1H222K	CHIP C	50V 2200PF K	1	
	C11	CK73HB1H222K	CHIP C	50V 2200PF K	1	
	C12	CC73HCH1H221J	CHIP C	50V 220PF J	1	
	C13	CC73HCH1H221J	CHIP C	50V 220PF J	1	
	C14	CC73HCH1H221J	CHIP C	50V 220PF J	1	
	C15	CC73HCH1H221J	CHIP C	50V 220PF J	1	
	C16	CC73HCH1H221J	CHIP C	50V 220PF J	1	
	C17	CC73HCH1H221J	CHIP C	50V 220PF J	1	
	C18	CC73HCH1H221J	CHIP C	50V 220PF J	1	
	C19	CC73HCH1H221J	CHIP C	50V 220PF J	1	
	C20	CC73HCH1H101J	CHIP C	50V 100PF J	1	
	C21	CC73HCH1H101J	CHIP C	50V 100PF J	1	
	C22	CC73HCH1H101J	CHIP C	50V 100PF J	1	
	C23	CC73HCH1H101J	CHIP C	50V 100PF J	1	
	C30	CK73GB1C105K	CHIP C	16V 1.0UF K	1	
	C31	CK73GB1C104K	CHIP C	16V 0.10UF K	1	
	C32	CK73GB1C224K	CHIP C	16V 0.22UF K	1	
	C33	CE32CL1C470M	CHIP EL	47UF 16WV	1	
	C34	CE32CL1C470M	CHIP EL	47UF 16WV	1	
	C35	CE32CL1A101M	CHIP EL	100UF 10WV	1	
	C36	C92-1868-05	ELECTRO	100UF 35WV	1	
	C37	CK73FB1H224K	CHIP C	50V 0.22UF K	1	
	C38	CK73EB1E106K	CHIP C	25V 10UF K	1	
	C39	CE32BQJ221M	CHIP EL	220UF 6.3WV	1	
	C40	CK73EB1E106K	CHIP C	25V 10UF K	1	
	C41	CK73HB1E103K	CHIP C	25V 0.010UF K	1	
	C42	CK73HB1A104K	CHIP C	10V 0.10UF K	1	
	C44	CK73GB1H332K	CHIP C	50V 3300PF K	1	K0
	C50	CK73HB1C473K	CHIP C	16V 0.047UF K	1	
	C51	CK73EB1E105K	CHIP C	25V 1.0UF K	1	
	C70	CC73HCH1H101J	CHIP C	50V 100PF J	1	
	C90	CK73GB0J225K	CHIP C	6.3V 2.2UF K	1	
	C91	CK73FB0J226M	CHIP C	22UF M	1	
	C92	CK73FB0J226M	CHIP C	22UF M	1	
	C100	CK73HB0J105K	CHIP C	6.3V 1.0UF K	1	
	C101	CK73HB1E103K	CHIP C	25V 0.010UF K	1	
	C111	CK73GB0J225K	CHIP C	6.3V 2.2UF K	1	
	C130	CK73HB1E103K	CHIP C	25V 0.010UF K	1	
	C140	CK73HB0J105K	CHIP C	6.3V 1.0UF K	1	
	C141	CK73HB1E103K	CHIP C	25V 0.010UF K	1	
	C150	CK73FB1E474K	CHIP C	25V 0.47UF K	1	
	C200	CK73HB0J105K	CHIP C	6.3V 1.0UF K	1	
	C201	CE32CL1C100M	CHIP EL	10UF 16WV	1	K0
	C202	C90-6777-05	ELECTRO	0.22UF 16WV	1	K1
	C203	CC73HCH1H150J	CHIP C	50V 15PF J	1	
	C204	CK73GB1C224K	CHIP C	16V 0.22UF K	1	K0
	C205	CK73GB1C224K	CHIP C	16V 0.22UF K	1	K0
	C206	CC73HCH1H150J	CHIP C	50V 15PF J	1	
	C207	C90-6777-05	ELECTRO	0.22UF 16WV	1	K1
	C208	CK73GB1C224K	CHIP C	16V 0.22UF K	1	
	C209	CC73HCH1H150J	CHIP C	50V 15PF J	1	
	C210	CC73HCH1H150J	CHIP C	50V 15PF J	1	
	C211	CK73GB1C224K	CHIP C	16V 0.22UF K	1	

MODEL	MARK	MODEL	MARK
DNX7190HD	K0	DNX9990HD	K1

Safe	Symbol No.	Parts No.	Parts Name	Description	QTY	Local
	C212	C90-6780-05	ELECTRO	1UF 16WV	1	
	C213	CK73HB0J105K	CHIP C	6.3V 1.0UF K	1	
	C214	CC73HCH1H470J	CHIP C	50V 47PF J	1	
	C215	CC73HCH1H470J	CHIP C	50V 47PF J	1	
	C216	CC73HCH1H020C	CHIP C	50V 2.0PF C	1	
	C217	CK73HB1E103K	CHIP C	25V 0.010UF K	1	K1
	C220	CE32CL1C100M	CHIP EL	10UF 16WV	1	K1
	C221	CC73HCH1H101J	CHIP C	50V 100PF J	1	K1
	C222	CK73HB1E103K	CHIP C	25V 0.010UF K	1	K1
	C223	CE32BM1C100M	CHIP EL	10UF 16WV	1	K1
	C224	CK73HB1H222K	CHIP C	50V 2200PF K	1	K1
	C225	CK73HB0J105K	CHIP C	6.3V 1.0UF K	1	K1
	C226	CC73HCH1H101J	CHIP C	50V 100PF J	1	K1
	C227	CK73HB1H102K	CHIP C	50V 1000PF K	1	K1
	C228	CC73HCH1H020C	CHIP C	50V 2.0PF C	1	K0
	C229	CC73HCH1H020C	CHIP C	50V 2.0PF C	1	K0
	C250	CC73HCH1H470J	CHIP C	50V 47PF J	1	K1
	C251	CC73HCH1H470J	CHIP C	50V 47PF J	1	K1
	C252	CC73HCH1H221J	CHIP C	50V 220PF J	1	K1
	C253	CC73HCH1H221J	CHIP C	50V 220PF J	1	K1
	C260	CK73HB1A104K	CHIP C	10V 0.10UF K	1	K1
	C261	CK73HB1A104K	CHIP C	10V 0.10UF K	1	K1
	C262	CK73HB1A104K	CHIP C	10V 0.10UF K	1	K1
	C264	CK73HB1A104K	CHIP C	10V 0.10UF K	1	K1
	C265	CK73HB1A104K	CHIP C	10V 0.10UF K	1	K1
	C266	CK73FB0J106K	CHIP C	6.3V 10UF K	1	K1
	C267	CK73FB0J106K	CHIP C	6.3V 10UF K	1	K1
	C268	CK73GB1C105K	CHIP C	16V 1.0UF K	1	K1
	C271	CK73HB1E103K	CHIP C	25V 0.010UF K	1	K1
	C273	CC73HCH1H100D	CHIP C	50V 10PF D	1	K1
	C280	CK73HB0J105K	CHIP C	6.3V 1.0UF K	1	K1
	C281	CK73HB0J105K	CHIP C	6.3V 1.0UF K	1	K1
	C282	CC73HCH1H020C	CHIP C	50V 2.0PF C	1	
	C283	CC73HCH1H020C	CHIP C	50V 2.0PF C	1	
	C300	CE32BJ1C100M	CHIP EL	10UF 16WV	1	
	C301	CC73GCH1H330J	CHIP C	50V 33PF J	1	K0
	C302	CC73HCH1H020C	CHIP C	50V 2.0PF C	1	
	C303	CE32CL1H2R2M	CHIP EL	2.2UF 50WV	1	
	C304	CE32CL1H2R2M	CHIP EL	2.2UF 50WV	1	
	C305	CC73HCH1H020C	CHIP C	50V 2.0PF C	1	
	C306	CK73GB1C105K	CHIP C	16V 1.0UF K	1	
	C307	CK73GB1C105K	CHIP C	16V 1.0UF K	1	
	C308	CK73GB1C105K	CHIP C	16V 1.0UF K	1	
	C309	CK73GB1C105K	CHIP C	16V 1.0UF K	1	
	C310	CC73HCH1H070D	CHIP C	50V 7.0PF D	1	
	C311	CC73HCH1H070D	CHIP C	50V 7.0PF D	1	
	C312	CK73GB0J106M	CHIP C	6.3V 10UF M	1	
	C313	CK73GB1C105K	CHIP C	16V 1.0UF K	1	
	C314	CK73GB1C105K	CHIP C	16V 1.0UF K	1	
	C315	CK73GB1C105K	CHIP C	16V 1.0UF K	1	
	C316	CK73GB1H103K	CHIP C	50V 0.010UF K	1	
	C317	CK73GB1C105K	CHIP C	16V 1.0UF K	1	
	C318	CK73GB1C105K	CHIP C	16V 1.0UF K	1	
	C319	CK73GB0J106M	CHIP C	6.3V 10UF M	1	
	C320	CK73GB1C105K	CHIP C	16V 1.0UF K	1	
	C321	CK73HB0J105K	CHIP C	6.3V 1.0UF K	1	
	C322	CK73HB0J474K	CHIP C	6.3V 0.47UF K	1	
	C323	CK73HB0J474K	CHIP C	6.3V 0.47UF K	1	
	C324	CK73HB0J105K	CHIP C	6.3V 1.0UF K	1	
	C325	CE32CL1C470M	CHIP EL	47UF 16WV	1	
	C326	CC73HCH1H040C	CHIP C	50V 4.0PF C	1	
	C327	CE32CL1H010M	CHIP EL	1.0UF 50WV	1	K0
	C328	CK73HB0J105K	CHIP C	6.3V 1.0UF K	1	
	C329	CK73GB1C105K	CHIP C	16V 1.0UF K	1	
	C330	CK73GB1C105K	CHIP C	16V 1.0UF K	1	
	C331	CK73EB1C106K	CHIP C	16V 10UF K	1	
	C332	CK73EB1C106K	CHIP C	16V 10UF K	1	
	C333	CK73HB1H102K	CHIP C	50V 1000PF K	1	
	C334	CK73HB1H102K	CHIP C	50V 1000PF K	1	
	C335	CC73HCH1H020C	CHIP C	50V 2.0PF C	1	
	C336	CC73HCH1H020C	CHIP C	50V 2.0PF C	1	
	C351	CK73HB1H102K	CHIP C	50V 1000PF K	1	
	C352	CK73HB1H102K	CHIP C	50V 1000PF K	1	
	C353	CK73FB1A225K	CHIP C	10V 2.2UF K	1	
	C354	CK73FB1A225K	CHIP C	10V 2.2UF K	1	
	C355	CK73FB1C106K	CHIP C	16V 10UF K	1	
	C356	CK73GB1C104K	CHIP C	16V 0.10UF K	1	
	C357	CK73FB1C106K	CHIP C	16V 10UF K	1	
	C358	CK73GB1C105K	CHIP C	16V 1.0UF K	1	
	C359	CK73GB1C105K	CHIP C	16V 1.0UF K	1	
	C360	CK73GB1C105K	CHIP C	16V 1.0UF K	1	
	C361	CK73FB1C106K	CHIP C	16V 10UF K	1	
	C362	CK73GB1C105K	CHIP C	16V 1.0UF K	1	
	C366	CK73GB1C105K	CHIP C	16V 1.0UF K	1	
	C367	CK73GB1C105K	CHIP C	16V 1.0UF K	1	
	C372	CK73GB1C105K	CHIP C	16V 1.0UF K	1	
	C373	CK73GB1C105K	CHIP C	16V 1.0UF K	1	
	C374	CK73GB1C105K	CHIP C	16V 1.0UF K	1	
	C375	CK73GB1C105K	CHIP C	16V 1.0UF K	1	
	C376	CK73GB1C105K	CHIP C	16V 1.0UF K	1	
	C377	CK73GB1C105K	CHIP C	16V 1.0UF K	1	
	C378	CK73FB1C106K	CHIP C	16V 10UF K	1	
	C379	CK73GB1C104K	CHIP C	16V 0.10UF K	1	

MODEL	MARK	MODEL	MARK
DNX7190HD	K0	DNX9990HD	K1

Safe	Symbol No.	Parts No.	Parts Name	Description	QTY	Local
	C400	CE32BJ1C100M	CHIP EL	10UF 16VV	1	
	C401	CK73HB1H102K	CHIP C	50V 1000PF K	1	
	C402	CK73HB1H102K	CHIP C	50V 1000PF K	1	
	C403	CE32BJ1C100M	CHIP EL	10UF 16VV	1	
	C404	CK73EB1C106K	CHIP C	16V 10UF K	1	
	C405	CK73HB1H102K	CHIP C	50V 1000PF K	1	
	C406	CK73HB1H102K	CHIP C	50V 1000PF K	1	
	C407	CK73EB1C106K	CHIP C	16V 10UF K	1	
	C408	CK73EB1C106K	CHIP C	16V 10UF K	1	
	C409	CK73HB1H102K	CHIP C	50V 1000PF K	1	
	C410	CK73HB1H102K	CHIP C	50V 1000PF K	1	
	C411	CK73EB1C106K	CHIP C	16V 10UF K	1	
	C413	CE32BM1C100M	CHIP EL	10UF 16VV	1	K1
	C414	CE32BM1C100M	CHIP EL	10UF 16VV	1	K1
	C415	CK73EB1C106K	CHIP C	16V 10UF K	1	K1
	C416	CK73EB1C106K	CHIP C	16V 10UF K	1	K1
	C417	CK73EB1C106K	CHIP C	16V 10UF K	1	K1
	C418	CK73EB1C106K	CHIP C	16V 10UF K	1	K1
	C419	CC73HCH1H101J	CHIP C	50V 100PF J	1	K1
	C424	CK73FB1C105K	CHIP C	16V 1.0UF K	1	K1
	C425	CK73GB1C105K	CHIP C	16V 1.0UF K	1	K1
	C426	CK73GB1C105K	CHIP C	16V 1.0UF K	1	K1
	C427	CK73FB1C106K	CHIP C	16V 10UF K	1	K1
	C428	CK73GB1C105K	CHIP C	16V 1.0UF K	1	K1
	C429	CK73GB1C105K	CHIP C	16V 1.0UF K	1	K1
	C430	CK73HB1E103K	CHIP C	25V 0.010UF K	1	K1
	C431	CC73HCH1H102J	CHIP C	50V 1000PF J	1	K1
	C432	CK73HB1H102K	CHIP C	50V 1000PF K	1	
	C433	CK73HB1H102K	CHIP C	50V 1000PF K	1	
	C434	CK73HB1H102K	CHIP C	50V 1000PF K	1	
	C435	CK73HB1H102K	CHIP C	50V 1000PF K	1	
	C436	CK73HB1H102K	CHIP C	50V 1000PF K	1	
	C437	CK73HB1H102K	CHIP C	50V 1000PF K	1	
	C441	CK73HB1E103K	CHIP C	25V 0.010UF K	1	K1
	C453	CK73FB0J106K	CHIP C	6.3V 10UF K	1	
	C454	CK73FB0J106K	CHIP C	6.3V 10UF K	1	
	C455	CK73GB1C104K	CHIP C	16V 0.10UF K	1	
	C456	CK73GB1C104K	CHIP C	16V 0.10UF K	1	
	C457	CK73GB0J225K	CHIP C	6.3V 2.2UF K	1	
	C458	CK73GB1C104K	CHIP C	16V 0.10UF K	1	
	C463	CK73HB1H222K	CHIP C	50V 2200PF K	1	
	C464	CK73HB1H222K	CHIP C	50V 2200PF K	1	
	C465	CK73HB1H222K	CHIP C	50V 2200PF K	1	
	C466	CK73HB1H222K	CHIP C	50V 2200PF K	1	
	C467	CK73HB1H222K	CHIP C	50V 2200PF K	1	
	C468	CK73HB1H222K	CHIP C	50V 2200PF K	1	
	C469	CK73GB1C105K	CHIP C	16V 1.0UF K	1	
	C470	CK73GB1C105K	CHIP C	16V 1.0UF K	1	
	C471	CK73GB1C105K	CHIP C	16V 1.0UF K	1	
	C472	CK73GB1C105K	CHIP C	16V 1.0UF K	1	
	C473	CK73GB1C105K	CHIP C	16V 1.0UF K	1	
	C474	CK73GB1C105K	CHIP C	16V 1.0UF K	1	
	C475	CK73GB1C105K	CHIP C	16V 1.0UF K	1	
	C476	CK73GB1C105K	CHIP C	16V 1.0UF K	1	
	C477	CK73GB1C105K	CHIP C	16V 1.0UF K	1	
	C479	CK73GB0J225K	CHIP C	6.3V 2.2UF K	1	
	C480	CK73GB1C104K	CHIP C	16V 0.10UF K	1	
	C481	CC73HCH1H100D	CHIP C	50V 10PF D	1	
	C482	CC73HCH1H100D	CHIP C	50V 10PF D	1	
	C483	CK73FB1C106K	CHIP C	16V 10UF K	1	
	C484	CK73GB1C104K	CHIP C	16V 0.10UF K	1	
	C485	CK73HB1E103K	CHIP C	25V 0.010UF K	1	
	C486	CK73GB1C105K	CHIP C	16V 1.0UF K	1	
	C487	CC73HCH1H020C	CHIP C	50V 2.0PF C	1	
	C488	CC73HCH1H020C	CHIP C	50V 2.0PF C	1	
	C489	CK73FB0J106K	CHIP C	6.3V 10UF K	1	
	C490	CK73HB1H102K	CHIP C	50V 1000PF K	1	
	C491	CK73HB1H102K	CHIP C	50V 1000PF K	1	
	C492	CC73HCH1H020C	CHIP C	50V 2.0PF C	1	
	C493	CC73HCH1H020C	CHIP C	50V 2.0PF C	1	
	C494	CC73HCH1H020C	CHIP C	50V 2.0PF C	1	
	C500	CK73HB1H102K	CHIP C	50V 1000PF K	1	
	C502	CK73GB0J106M	CHIP C	6.3V 10UF M	1	
	C503	CK73GB1C105K	CHIP C	16V 1.0UF K	1	
	C504	CK73HB1H102K	CHIP C	50V 1000PF K	1	
	C505	CK73HB1H102K	CHIP C	50V 1000PF K	1	
	C508	CK73FB1C106K	CHIP C	16V 10UF K	1	
	C509	CK73HB1E103K	CHIP C	25V 0.010UF K	1	
	C551	CK73GB1C104K	CHIP C	16V 0.10UF K	1	
	C552	CK73GB1A105K	CHIP C	10V 1.0UF K	1	
	C553	CK73GB1A105K	CHIP C	10V 1.0UF K	1	
	C554	CK73GB1A105K	CHIP C	10V 1.0UF K	1	
	C555	CK73GB0J106M	CHIP C	6.3V 10UF M	1	
	C570	CK73GB1C104K	CHIP C	16V 0.10UF K	1	
	C571	CK73GB1C104K	CHIP C	16V 0.10UF K	1	
	C572	CK73HB1E103K	CHIP C	25V 0.010UF K	1	
	C573	CK73HB1E103K	CHIP C	25V 0.010UF K	1	
	C574	CK73FB1C106K	CHIP C	16V 10UF K	1	
	C575	CK73FB1C106K	CHIP C	16V 10UF K	1	
	C576	CK73GB1C104K	CHIP C	16V 0.10UF K	1	
	C577	CK73GB1C104K	CHIP C	16V 0.10UF K	1	
	C578	CK73HB1E103K	CHIP C	25V 0.010UF K	1	

MODEL	MARK	MODEL	MARK
DNX7190HD	K0	DNX9990HD	K1

Safe	Symbol No.	Parts No.	Parts Name	Description	QTY	Local
	C579	CC73HCH1H101J	CHIP C	50V 100PF J	1	
	C581	CK73FB1C106K	CHIP C	16V 10UF K	1	
	C582	CK73GB1H104K	CHIP C	50V 0.10UF K	1	
	C601	CC73GCH1H150J	CHIP C	50V 15PF J	1	
	C603	CC73HCH1H060D	CHIP C	50V 6.0PF D	1	
	C604	CK73GB1C104K	CHIP C	16V 0.10UF K	1	
	C607	CK73HB1A104K	CHIP C	10V 0.10UF K	1	
	C608	CK73HB1E223K	CHIP C	25V 0.022UF K	1	
	C609	CC73HCH1H330J	CHIP C	50V 33PF J	1	
	C610	CK73FB0J106K	CHIP C	6.3V 10UF K	1	
	C611	CK73FB0J106K	CHIP C	6.3V 10UF K	1	
	C612	CC73GCH1H220J	CHIP C	50V 22PF J	1	
	C613	CC73GCH1H220J	CHIP C	50V 22PF J	1	
	C614	CK73FB1C106K	CHIP C	16V 10UF K	1	
	C615	CK73GB1C104K	CHIP C	16V 0.10UF K	1	
	C616	CC73HCH1H102J	CHIP C	50V 1000PF J	1	
	C618	CK73HB1A104K	CHIP C	10V 0.10UF K	1	
	C619	CK73FB0J106K	CHIP C	6.3V 10UF K	1	
	C620	CK73HB1A104K	CHIP C	10V 0.10UF K	1	
	C621	CK73HB1A104K	CHIP C	10V 0.10UF K	1	
	C651	CC73HCH1H020C	CHIP C	50V 2.0PF C	1	
	C801	CK73HB1E103K	CHIP C	25V 0.010UF K	1	
	C802	CK73HB1A104K	CHIP C	10V 0.10UF K	1	
	C803	CK73FB0J106K	CHIP C	6.3V 10UF K	1	
	C804	CK73GB1C105K	CHIP C	16V 1.0UF K	1	
	C805	CK73GB1C105K	CHIP C	16V 1.0UF K	1	
	C820	CK73GB1H103K	CHIP C	50V 0.010UF K	1	
	C822	CC73GCH1H060D	CHIP C	50V 6.0PF D	1	
	C823	CC73GCH1H040C	CHIP C	50V 4.0PF C	1	
	C824	CK73GB1H102K	CHIP C	50V 1000PF K	1	
	C825	CC73GCH1H470J	CHIP C	50V 47PF J	1	
	C826	CC73GCH1H560J	CHIP C	50V 56PF J	1	
	C827	CK73GB1H102K	CHIP C	50V 1000PF K	1	
	C828	CC73GCH1H080D	CHIP C	50V 8.0PF D	1	
	C850	CK73EB1C106K	CHIP C	16V 10UF K	1	
	C851	CK73GB1C105K	CHIP C	16V 1.0UF K	1	
	C852	CE32BQ1C101M	CHIP EL	100UF 16WV	1	
	C853	CK73FB0J226M	CHIP C	22UF M	1	
	C854	CK73HB1E103K	CHIP C	25V 0.010UF K	1	
	C860	CK73GB0J225K	CHIP C	6.3V 2.2UF K	1	
	C861	CK73HB1A104K	CHIP C	10V 0.10UF K	1	
	C862	CK73HB1A104K	CHIP C	10V 0.10UF K	1	
	C863	CK73HB0J105K	CHIP C	6.3V 1.0UF K	1	
	C864	CK73FB0J106K	CHIP C	6.3V 10UF K	1	
	C865	CK73HB1E103K	CHIP C	25V 0.010UF K	1	
	C870	CK73HB1A104K	CHIP C	10V 0.10UF K	1	
	C871	CK73GB0J106M	CHIP C	6.3V 10UF M	1	
	C872	CK73FB0J106K	CHIP C	6.3V 10UF K	1	
	C873	CK73HB1A104K	CHIP C	10V 0.10UF K	1	
	C874	CK73HB1E103K	CHIP C	25V 0.010UF K	1	
	C880	CK73FB1C105K	CHIP C	16V 1.0UF K	1	
	C881	CK73GB1C104K	CHIP C	16V 0.10UF K	1	
	C882	CC73HCH1H102J	CHIP C	50V 1000PF J	1	
	C883	CK73HB1A104K	CHIP C	10V 0.10UF K	1	
	C884	CK73FB0J106K	CHIP C	6.3V 10UF K	1	
	R30	RK73FB2B000J	CHIP R	0.0 J 1/8W 2125	1	
	R31	RK73FB2B000J	CHIP R	0.0 J 1/8W 2125	1	
	R32	RK73FB2B000J	CHIP R	0.0 J 1/8W 2125	1	
	R33	RK73FB2B000J	CHIP R	0.0 J 1/8W 2125	1	
	R34	RK73GH2A562D	CHIP R	5.6K D 1/10W	1	K0
	R34	RK73GH2A392D	CHIP R	3.9K D 1/10W	1	K1
	R35	RK73GH2A273D	CHIP R	27K D 1/10W	1	
	R36	RK73GH2A431D	CHIP R	430 D 1/10W	1	K0
	R36	RK73GH2A221D	CHIP R	220 D 1/10W	1	K1
	R37	RK73GH2A472D	CHIP R	4.7K D 1/10W	1	
	R38	RK73HB1J101J	CHIP R	100 J 1/16W	1	
	R39	RK73FB2B000J	CHIP R	0.0 J 1/8W 2125	1	
	R40	RK73GH2A751D	CHIP R	750 D 1/10W	1	
	R43	RK73HB1J000J	CHIP R	0.0 J 1/16W	1	
	R44	RK73GB2A000J	CHIP R	0.0 J 1/10W	1	
	R50	RK73HB1J473J	CHIP R	47K J 1/16W	1	
	R51	RK73HB1J472J	CHIP R	4.7K J 1/16W	1	
	R52	RK73HB1J473J	CHIP R	47K J 1/16W	1	
	R53	RK73EB2E152J	CHIP R	1.5K J 1/4W	1	
	R54	RK73HB1J621J	CHIP R	620 J 1/16W	1	
	R55	RK73HB1J242J	CHIP R	2.4K J 1/16W	1	
	R56	RK73PB2H2R0J	CHIP R	2.0 J 1/2W	1	
	R57	RK73PB2H2R0J	CHIP R	2.0 J 1/2W	1	
	R58	RK73HB1J124J	CHIP R	120K J 1/16W	1	
	R59	RK73HB1J472J	CHIP R	4.7K J 1/16W	1	
	R60	RK73HB1J103J	CHIP R	10K J 1/16W	1	
	R70	RK73HB1J472J	CHIP R	4.7K J 1/16W	1	
	R71	RK73HB1J472J	CHIP R	4.7K J 1/16W	1	
	R72	RK73GB2A111J	CHIP R	110 J 1/10W	1	
	R73	RK73HB1J472J	CHIP R	4.7K J 1/16W	1	
	R74	RK73HB1J103J	CHIP R	10K J 1/16W	1	
	R75	RK73HB1J182J	CHIP R	1.8K J 1/16W	1	
	R76	RK73HB1J243J	CHIP R	24K J 1/16W	1	
	R77	RK73HB1J473J	CHIP R	47K J 1/16W	1	
	R78	RK73HB1J473J	CHIP R	47K J 1/16W	1	
	R79	RK73HB1J103J	CHIP R	10K J 1/16W	1	
	R80	RK73HB1J223J	CHIP R	22K J 1/16W	1	

MODEL	MARK	MODEL	MARK
DNX7190HD	K0	DNX9990HD	K1

Safe	Symbol No.	Parts No.	Parts Name	Description	QTY	Local
R100		RK73GB2A272J	CHIP R	2.7K J 1/10W	1	
R101		RK73HB1J102J	CHIP R	1.0K J 1/16W	1	
R111		RK73GB2A471J	CHIP R	470 J 1/10W	1	
R112		RK73GB2A473J	CHIP R	47K J 1/10W	1	
R113		RK73GB2A473J	CHIP R	47K J 1/10W	1	
R114		RK73GB2A223J	CHIP R	22K J 1/10W	1	
R115		RK73GB2A473J	CHIP R	47K J 1/10W	1	
R116		RK73GB2A223J	CHIP R	22K J 1/10W	1	
R120		RK73PB2H101J	CHIP R	100 J 1/2W	1	
R130		RK73HB1J104J	CHIP R	100K J 1/16W	1	
R131		RK73HB1J473J	CHIP R	47K J 1/16W	1	
R132		RK73GB2A103J	CHIP R	10K J 1/10W	1	
R140		RK73GB2A272J	CHIP R	2.7K J 1/10W	1	
R141		RK73HB1J102J	CHIP R	1.0K J 1/16W	1	
R150		RK73EB2E153J	CHIP R	15K J 1/4W	1	
R151		RK73EB2E622J	CHIP R	6.2K J 1/4W	1	
R152		RK73EB2E622J	CHIP R	6.2K J 1/4W	1	
R153		RK73HB1J912J	CHIP R	9.1K J 1/16W	1	
R160		RK73FB2B472J	CHIP R	4.7K J 1/8W	1	
R171		RK73FB2B472J	CHIP R	4.7K J 1/8W	1	
R200		RK73HB1J473J	CHIP R	47K J 1/16W	1	
R201		RK73GB2A820JH	CHIP R	82 J 1/10W	1	K0
R201		RK73GB2A750JH	CHIP R	75 J 1/10W	1	K1
R202		RK73GB2A820JH	CHIP R	82 J 1/10W	1	K0
R202		RK73GB2A750JH	CHIP R	75 J 1/10W	1	K1
R203		RK73GB2A101JH	CHIP R	100 J 1/10W	1	
R204		RK73GB2A101JH	CHIP R	100 J 1/10W	1	
R205		RK73HB1J330JH	CHIP R	33 J 1/16W	1	K0
R206		RK73HB1J123J	CHIP R	12K J 1/16W	1	
R207		RK73HB1J473J	CHIP R	47K J 1/16W	1	
R208		RK73HB1J331J	CHIP R	330 J 1/16W	1	
R209		RK73GB2A562J	CHIP R	5.6K J 1/10W	1	
R213		RK73HB1J300J	CHIP R	30 J 1/16W	1	
R214		RK73HB1J240JH	CHIP R	24 J 1/16W	1	K1
R215		RK73HB1J000J	CHIP R	0.0 J 1/16W	1	K0
R220		RK73GB2A223J	CHIP R	22K J 1/10W	1	K1
R221		RK73GB2A103J	CHIP R	10K J 1/10W	1	K1
R222		RK73HB1J300J	CHIP R	30 J 1/16W	1	K0
R223		RK73HH1J473D	CHIP R	47K D 1/16W	1	K1
R224		RK73GH2A752D	CHIP R	7.5K D 1/10W	1	K1
R225		RK73HH1J473D	CHIP R	47K D 1/16W	1	K1
R226		RK73HH1J393D	CHIP R	39K D 1/16W	1	K1
R227		RK73HH1J432D	CHIP R	4.3K D 1/16W	1	K1
R228		RK73HH1J752D	CHIP R	7.5K D 1/16W	1	K1
R229		RK73EB2E271J	CHIP R	270 J 1/4W	1	K1
R230		RK73HB1J471J	CHIP R	470 J 1/16W	1	K1
R231		RK73EB2E271J	CHIP R	270 J 1/4W	1	K1
R232		RK73HB1J102J	CHIP R	1.0K J 1/16W	1	K1
R233		RK73HB1J223J	CHIP R	22K J 1/16W	1	K1
R234		RK73HB1J122J	CHIP R	1.2K J 1/16W	1	K1
R236		RK73HB1J223J	CHIP R	22K J 1/16W	1	K1
R237		RK73HH1J202D	CHIP R	2.0K D 1/16W	1	K1
R238		RK73HH1J302D	CHIP R	3.0K D 1/16W	1	K1
R239		RK73HB1J220J	CHIP R	22 J 1/16W	1	K1
R240		RK73HB1J101J	CHIP R	100 J 1/16W	1	K1
R241		RK73HB1J471J	CHIP R	470 J 1/16W	1	K1
R242		RK73HB1J000J	CHIP R	0.0 J 1/16W	1	K0
R248		RK73HB1J000J	CHIP R	0.0 J 1/16W	1	K0
R249		RK73HB1J000J	CHIP R	0.0 J 1/16W	1	K0
R250		RK73HB1J750JH	CHIP R	75 J 1/16W	1	K1
R251		RK73HB1J750JH	CHIP R	75 J 1/16W	1	K1
R252		RK73HB1J472JH	CHIP R	4.7K J 1/16W	1	K1
R253		RK73HB1J472JH	CHIP R	4.7K J 1/16W	1	K1
R254		RK73HB1J223JH	CHIP R	22K J 1/16W	1	K1
R255		RK73HB1J223JH	CHIP R	22K J 1/16W	1	K1
R256		RK73HB1J472JH	CHIP R	4.7K J 1/16W	1	K1
R257		RK73HB1J472JH	CHIP R	4.7K J 1/16W	1	K1
R258		RK73HB1J223JH	CHIP R	22K J 1/16W	1	K1
R259		RK73HB1J223JH	CHIP R	22K J 1/16W	1	K1
R260		RK73GB2A620JH	CHIP R	62 J 1/10W	1	K1
R261		RK73GB2A680JH	CHIP R	68 J 1/10W	1	K1
R262		RK73GB2A680JH	CHIP R	68 J 1/10W	1	K1
R263		RK73HB1J473J	CHIP R	47K J 1/16W	1	K1
R264		RK73HB1J103J	CHIP R	10K J 1/16W	1	K1
R265		RK73HB1J473J	CHIP R	47K J 1/16W	1	K1
R266		RK73HH1J183D	CHIP R	18K D 1/16W	1	K1
R267		RK73HB1J473J	CHIP R	47K J 1/16W	1	K1
R268		RK73HB1J473J	CHIP R	47K J 1/16W	1	K1
R269		RK73HB1J473J	CHIP R	47K J 1/16W	1	K1
R270		RK73HB1J100J	CHIP R	10 J 1/16W	1	K1
R271		RK73HB1J302J	CHIP R	3.0K J 1/16W	1	K1
R272		RK73HB1J620JH	CHIP R	62 J 1/16W	1	K1
R273		RK73HB1J101J	CHIP R	100 J 1/16W	1	K1
R274		RK73HB1J103J	CHIP R	10K J 1/16W	1	K1
R280		RK73HB1J300J	CHIP R	30 J 1/16W	1	
R300		RK73GB2A222J	CHIP R	2.2K J 1/10W	1	K0
R301		RK73GB2A000J	CHIP R	0.0 J 1/10W	1	K0
R302		RK73GB2A000J	CHIP R	0.0 J 1/10W	1	K1
R303		RK73GB2A101JH	CHIP R	100 J 1/10W	1	K0
R304		RK73HB1J750JH	CHIP R	75 J 1/16W	1	
R305		RK73HB1J750JH	CHIP R	75 J 1/16W	1	
R306		RK73HB1J560J	CHIP R	56 J 1/16W	1	K0
R306		RK73HB1J000J	CHIP R	0.0 J 1/16W	1	K1

MODEL	MARK	MODEL	MARK
DNX7190HD	K0	DNX9990HD	K1

Safe	Symbol No.	Parts No.	Parts Name	Description	QTY	Local
	R307	RK73HB1J560J	CHIP R	56 J 1/16W	1	K0
	R307	RK73HB1J000J	CHIP R	0.0 J 1/16W	1	K1
	R308	RK73HB1J680JH	CHIP R	68 J 1/16W	1	
	R309	RK73HB1J680JH	CHIP R	68 J 1/16W	1	
	R310	RK73HB1J300J	CHIP R	30 J 1/16W	1	
	R311	RK73HB1J102J	CHIP R	1.0K J 1/16W	1	
	R312	RK73HB1J103J	CHIP R	10K J 1/16W	1	
	R313	RK73HB1J104J	CHIP R	100K J 1/16W	1	
	R314	RK73HB1J100J	CHIP R	10 J 1/16W	1	
	R315	RK73HB1J101J	CHIP R	100 J 1/16W	1	
	R316	RK73HB1J101J	CHIP R	100 J 1/16W	1	
	R317	RK73HB1J103J	CHIP R	10K J 1/16W	1	
	R318	RK73EB2E2R2J	CHIP R	2.2 J 1/4W	1	
	R319	RK73HB1J471J	CHIP R	470 J 1/16W	1	
	R320	RK73HB1J471J	CHIP R	470 J 1/16W	1	
	R321	RK73HB1J223J	CHIP R	22K J 1/16W	1	
	R322	RK73HB1J223J	CHIP R	22K J 1/16W	1	
	R323	RK73GB2A4R7J	CHIP R	4.7 J 1/10W	1	
	R324	RK73HB1J000J	CHIP R	0.0 J 1/16W	1	
	R350	RK73HB1J000J	CHIP R	0.0 J 1/16W	1	
	R351	RK73HB1J000J	CHIP R	0.0 J 1/16W	1	
	R352	RK73HB1J000J	CHIP R	0.0 J 1/16W	1	
	R353	RK73GB2A223J	CHIP R	22K J 1/10W	1	
	R354	RK73GB2A223J	CHIP R	22K J 1/10W	1	
	R355	RK73GB2A332J	CHIP R	3.3K J 1/10W	1	
	R356	RK73GB2A332J	CHIP R	3.3K J 1/10W	1	
	R357	RK73GB2A103J	CHIP R	10K J 1/10W	1	
	R358	RK73GB2A103J	CHIP R	10K J 1/10W	1	
	R359	RK73GB2A162J	CHIP R	1.6K J 1/10W	1	
	R361	RK73EB2E4R7J	CHIP R	4.7 J 1/4W	1	
	R362	RK73HB1J101J	CHIP R	100 J 1/16W	1	
	R363	RK73HB1J101J	CHIP R	100 J 1/16W	1	
	R364	RK73HB1J473J	CHIP R	47K J 1/16W	1	
	R371	RK73HB1J223J	CHIP R	22K J 1/16W	1	
	R400	RK73HB1J471J	CHIP R	470 J 1/16W	1	
	R401	RK73HB1J223J	CHIP R	22K J 1/16W	1	
	R402	RK73HB1J223J	CHIP R	22K J 1/16W	1	
	R403	RK73HB1J471J	CHIP R	470 J 1/16W	1	
	R404	RK73HB1J471J	CHIP R	470 J 1/16W	1	
	R405	RK73HB1J223J	CHIP R	22K J 1/16W	1	
	R406	RK73HB1J223J	CHIP R	22K J 1/16W	1	
	R407	RK73HB1J471J	CHIP R	470 J 1/16W	1	
	R408	RK73HB1J471J	CHIP R	470 J 1/16W	1	
	R409	RK73HB1J223J	CHIP R	22K J 1/16W	1	
	R410	RK73HB1J223J	CHIP R	22K J 1/16W	1	
	R411	RK73HB1J471J	CHIP R	470 J 1/16W	1	
	R413	RK73HB1J102J	CHIP R	1.0K J 1/16W	1	K1
	R414	RK73HB1J100J	CHIP R	10 J 1/16W	1	K1
	R415	RK73HB1J684J	CHIP R	680K J 1/16W	1	K1
	R416	RK73HB1J000J	CHIP R	0.0 J 1/16W	1	K1
	R417	RK73EB2E2R2J	CHIP R	2.2 J 1/4W	1	K1
	R418	RK73HB1J000J	CHIP R	0.0 J 1/16W	1	K0
	R419	RK73HB1J000J	CHIP R	0.0 J 1/16W	1	K0
	R422	RK73HB1J000J	CHIP R	0.0 J 1/16W	1	K0
	R423	RK73HB1J000J	CHIP R	0.0 J 1/16W	1	K0
	R424	RK73HB1J000J	CHIP R	0.0 J 1/16W	1	K0
	R425	RK73HB1J000J	CHIP R	0.0 J 1/16W	1	K0
	R426	RK73HB1J103J	CHIP R	10K J 1/16W	1	K1
	R432	RK73EB2E101J	CHIP R	100 J 1/4W	1	
	R434	RK73EB2E101J	CHIP R	100 J 1/4W	1	
	R435	RK73EB2E101J	CHIP R	100 J 1/4W	1	
	R436	RK73EB2E101J	CHIP R	100 J 1/4W	1	
	R437	RK73EB2E101J	CHIP R	100 J 1/4W	1	
	R438	RK73EB2E101J	CHIP R	100 J 1/4W	1	
	R450	RK73GB2A2R2J	CHIP R	2.2 J 1/10W	1	
	R451	RK73HB1J471JH	CHIP R	470 J 1/16W	1	
	R452	RK73HB1J471JH	CHIP R	470 J 1/16W	1	
	R453	RK73HB1J471JH	CHIP R	470 J 1/16W	1	
	R454	RK73HB1J471JH	CHIP R	470 J 1/16W	1	
	R455	RK73HB1J471JH	CHIP R	470 J 1/16W	1	
	R456	RK73HB1J471JH	CHIP R	470 J 1/16W	1	
	R457	RK73HB1J105J	CHIP R	1.0M J 1/16W	1	
	R458	RK73HB1J101J	CHIP R	100 J 1/16W	1	
	R459	RK73GB2A2R2J	CHIP R	2.2 J 1/10W	1	K0
	R460	RK73HB1J473J	CHIP R	47K J 1/16W	1	
	R461	RK73HB1J000J	CHIP R	0.0 J 1/16W	1	K0
	R462	RK73HB1J000J	CHIP R	0.0 J 1/16W	1	K0
	R463	RK73HB1J000J	CHIP R	0.0 J 1/16W	1	K0
	R464	RK73HB1J300J	CHIP R	30 J 1/16W	1	
	R465	RK73GB2A000J	CHIP R	0.0 J 1/10W	1	K1
	R466	RK73HB1J222J	CHIP R	2.2K J 1/16W	1	K1
	R467	RK73HB1J222J	CHIP R	2.2K J 1/16W	1	K1
	R469	RK73GB2A223J	CHIP R	22K J 1/10W	1	
	R470	RK73GB2A222J	CHIP R	2.2K J 1/10W	1	
	R471	RK73HB1J100J	CHIP R	10 J 1/16W	1	
	R472	RK73HB1J300J	CHIP R	30 J 1/16W	1	
	R473	RK73HB1J300J	CHIP R	30 J 1/16W	1	
	R486	RK73HB1J101J	CHIP R	100 J 1/16W	1	K0
	R487	RK73HB1J101J	CHIP R	100 J 1/16W	1	K0
	R488	RK73HB1J101J	CHIP R	100 J 1/16W	1	
	R501	RK73GB2A4R7J	CHIP R	4.7 J 1/10W	1	
	R502	RK73GB2A620J	CHIP R	62 J 1/10W	1	

MODEL	MARK	MODEL	MARK
DNX7190HD	K0	DNX9990HD	K1

Safe	Symbol No.	Parts No.	Parts Name	Description	QTY	Local
	R503	RK73HB1J303J	CHIP R	30K J 1/16W	1	
	R504	RK73HB1J272J	CHIP R	2.7K J 1/16W	1	
	R505	RK73EB2E100J	CHIP R	10 J 1/4W	1	
	R506	RK73EB2E100J	CHIP R	10 J 1/4W	1	
	R507	RK73EB2E000J	CHIP R	0.0 J 1/4W	1	
	R508	RK73GB2A223J	CHIP R	22K J 1/10W	1	
	R509	RK73GB2A223J	CHIP R	22K J 1/10W	1	
	R510	RK73HB1J303J	CHIP R	30K J 1/16W	1	
	R521	RK73GB2A100J	CHIP R	10 J 1/10W	1	
	R522	RK73EB2E100J	CHIP R	10 J 1/4W	1	
	R550	RK73EB2E101J	CHIP R	100 J 1/4W	1	
	R551	RK73EB2E101J	CHIP R	100 J 1/4W	1	
	R552	RK73EB2E101J	CHIP R	100 J 1/4W	1	
	R553	RK73EB2E100J	CHIP R	10 J 1/4W	1	
	R554	RK73EB2E100J	CHIP R	10 J 1/4W	1	
	R555	RK73EB2E4R7J	CHIP R	4.7 J 1/4W	1	
	R556	RK73HB1J473J	CHIP R	47K J 1/16W	1	
	R557	RK73HB1J272J	CHIP R	2.7K J 1/16W	1	
	R558	RK73HB1J272J	CHIP R	2.7K J 1/16W	1	
	R559	RK73HB1J000J	CHIP R	0.0 J 1/16W	1	
	R560	RK73GB2A102J	CHIP R	1.0K J 1/10W	1	
	R570	RK73HB1J105J	CHIP R	1.0M J 1/16W	1	
	R571	RK73HB1J562J	CHIP R	5.6K J 1/16W	1	
	R572	RK73HB1J122J	CHIP R	1.2K J 1/16W	1	
	R573	RK73HB1J100J	CHIP R	10 J 1/16W	1	
	R574	RK73HB1J103J	CHIP R	10K J 1/16W	1	
	R575	RK73HB1J103J	CHIP R	10K J 1/16W	1	
	R576	RK73HB1J511J	CHIP R	510 J 1/16W	1	
	R577	RK73HB1J104J	CHIP R	100K J 1/16W	1	
	R581	RK73GB2A561J	CHIP R	560 J 1/10W	1	
	R602	RK73HB1J202J	CHIP R	2.0K J 1/16W	1	
	R603	RK73HB1J103J	CHIP R	10K J 1/16W	1	
	R607	RK73HB1J221J	CHIP R	220 J 1/16W	1	
	R608	RK73HB1J103J	CHIP R	10K J 1/16W	1	
	R609	RK73HB1J222J	CHIP R	2.2K J 1/16W	1	
	R610	RK73GB2A202J	CHIP R	2.0K J 1/10W	1	
	R612	RK73HB1J471J	CHIP R	470 J 1/16W	1	
	R613	RK73HB1J471J	CHIP R	470 J 1/16W	1	
	R614	RK73HB1J182J	CHIP R	1.8K J 1/16W	1	K0
	R615	RK73FB2B000J	CHIP R	0.0 J 1/8W 2125	1	K1
	R616	RK73HB1J912J	CHIP R	9.1K J 1/16W	1	K0
	R617	RK73FB2B000J	CHIP R	0.0 J 1/8W 2125	1	
	R651	RK73HB1J300J	CHIP R	30 J 1/16W	1	
	R809	RK73HB1J471J	CHIP R	470 J 1/16W	1	
	R810	RK73GB2A154J	CHIP R	150K J 1/10W	1	
	R811	RK73GB2A154J	CHIP R	150K J 1/10W	1	
	R812	RK73HB1J471J	CHIP R	470 J 1/16W	1	
	R820	RK73GB2A683J	CHIP R	68K J 1/10W	1	
	R821	RK73GB2A393J	CHIP R	39K J 1/10W	1	
	R822	RK73GB2A472J	CHIP R	4.7K J 1/10W	1	
	R823	RK73GB2A153J	CHIP R	15K J 1/10W	1	
	R826	RK73GB2A200J	CHIP R	20 J 1/10W	1	
	R827	RK73GB2A623J	CHIP R	62K J 1/10W	1	
	R851	RK73HH1J223D	CHIP R	22K D 1/16W	1	
	R852	RK73HH1J682D	CHIP R	6.8K D 1/16W	1	
	R853	RK73HB1J000J	CHIP R	0.0 J 1/16W	1	
	R860	RK73EB2E4R7J	CHIP R	4.7 J 1/4W	1	
	R870	R92-5279-05	CHIP R	0.47 J 1/4W	1	
	R871	RK73GB2A121J	CHIP R	120 J 1/10W	1	
	R881	RK73EB2E4R7J	CHIP R	4.7 J 1/4W	1	
△	L1	L33-2459-05	CHOKE COIL ASSY		1	
△	L2	L33-2436-05	CHOKE COIL ASSY		1	
	L221	L41-4792-62	SMALL FIXED INDUCTOR	4.7U	1	K1
	L222	L41-4792-62	SMALL FIXED INDUCTOR	4.7U	1	K1
	L260	L41-4792-62	SMALL FIXED INDUCTOR	4.7U	1	K1
	L281	L41-4792-62	SMALL FIXED INDUCTOR	4.7U	1	K1
	L413	L41-1092-34	SMALL FIXED INDUCTOR	1U 0.475A	1	K1
	L451	L41-4792-62	SMALL FIXED INDUCTOR	4.7U	1	
	L500	L41-4792-62	SMALL FIXED INDUCTOR	4.7U	1	
	L551	L41-4792-62	SMALL FIXED INDUCTOR	4.7U	1	
	L600	L41-1588-61	SMALL FIXED INDUCTOR	C2012C-RD 150N G2%	1	
	L601	L41-2278-61	SMALL FIXED INDUCTOR	C2012C-RD 22N G2%	1	
	L603	L92-0329-05	CHIP FERRITE		1	
	L604	L92-0329-05	CHIP FERRITE		1	
	L820	L92-0329-05	CHIP FERRITE		1	
	L821	L41-1588-61	SMALL FIXED INDUCTOR	C2012C-RD 150N G2%	1	
	L823	L41-5685-61	SMALL FIXED INDUCTOR	2012 R56 J5%	1	
	L824	L41-3388-61	SMALL FIXED INDUCTOR	C2012CR33G2%	1	
	L880	L41-4792-62	SMALL FIXED INDUCTOR	4.7U	1	

MODEL	MARK	MODEL	MARK
DNX7190HD	K0	DNX9990HD	K1

Safe	Symbol No.	Parts No.	Parts Name	Description	QTY	Local
	A801	X86-4280-11	TUNER UNIT	FEB-1D12WLF	1	
	CN91	E41-1682-05	PIN ASSY	B02B-PH-K-S(LF)(SN)	1	
	CN201	E41-2980-05	FLAT CABLE CONNECTOR	STRAIGHT 60PIN	1	
	CN301	E41-3254-05	SOCKET FOR PIN ASSY	IMSA-9827S-70Y919	1	
	CN570	E41-3087-05	PIN ASSY	5PIN 53398-0571	1	
	F550	F53-0412-05	FUSE(UL CSA)	125V 4.0A	1	
	J1	E58-1043-05	RECTANGULAR RECEPTACLE	DCCN 22PIN 20A	1	
	J401	E63-0987-05	PIN JACK	7PIN	1	K0
	J401	E63-0993-05	PIN JACK	7PIN	1	K1
	J501	E11-0676-05	3.5D PHONE JACK		1	
	J551	QNZ0907-001	CIR CONNECTOR		1	
	TH200	B59601A0085B0	THERMISTOR		1	

	W600	E30-6883-05	CORD WITH PLUG		1	
	X451	L77-3874-05	CRYSTAL RESONATOR	NX3225GA 22.5792MHZ	1	
	X601	L77-2921-15	CRYSTAL RESONATOR	32.768KHZ 12.5PF	1	

SWITCH UNIT (X16-7310-10) <X16>

	IC1	PIC95603	ANALOGUE IC		1	
	D1	B30-1779-05	LED	1608_SR	1	
	D2	AVRM16120M6AB	VARIATOR	AVR-M1608C120MT6AB	1	
	D4	B30-1784-05	LED	RGB SIDE	1	
	D9	B30-1784-05	LED	RGB SIDE	1	
	D10	MA2S784-F	DIODE		1	
	D11	MA2S784-F	DIODE		1	
	D12	AVRM16120M6AB	VARIATOR	AVR-M1608C120MT6AB	1	
	C2	CK73GB1A105K	CHIP C	10V 1.0UF K	1	
	R2	RK73GB2A242J	CHIP R	2.4K J 1/10W	1	
	R3	RK73GB2A362J	CHIP R	3.6K J 1/10W	1	
	R5	RK73GB2A622J	CHIP R	6.2K J 1/10W	1	
	R6	RK73GB2A123J	CHIP R	12K J 1/10W	1	
	R7	RK73GB2A363J	CHIP R	36K J 1/10W	1	
	CN1	E41-3101-05	FLAT CABLE CONNECTOR	14PIN AU	1	
	S1	S70-0971-05	TACT SWITCH	0.35MM/1.57N	1	
	S2	S70-0948-05	TACT SWITCH	LS16B2	1	
	S3	S70-0948-05	TACT SWITCH	LS16B2	1	
	S4	S70-0948-05	TACT SWITCH	LS16B2	1	
	S5	S70-0948-05	TACT SWITCH	LS16B2	1	

	S6	S70-0948-05	TACT SWITCH	LS16B2	1	
	S7	S70-0948-05	TACT SWITCH	LS16B2	1	
	S8	S70-0948-05	TACT SWITCH	LS16B2	1	
	S9	S70-0948-05	TACT SWITCH	LS16B2	1	

VIDEO UNIT (X35-5190-10) <X35>

	IC101	-	ANALOGU IC	Replacement can not OZ527ILN-A1	1	
	IC102	TC7WH08FK-F	MOS-IC	PB FREE	1	
	IC103	TC7SH17FU-F	MOS-IC		1	
	IC104	TC7SH08FU-F	MOS-IC		1	
	IC105	74AHC1G32GW	MOS-IC		1	
	IC106	XC6216B332M-G	ANALOGUE IC	3.3V	1	
	IC201	W10-0755-08	MICROCONTROLLER IC	F3650EDFB	1	
	IC202	MF1341S2162	MICROPROCESSOR IC		1	
	IC203	XC6120N422N-G	MOS-IC	4.2V	1	
	IC204	XC6223B331P-G	ANALOGUE IC	3.3V	1	
	IC205	TC7WH34FK-F	MOS-IC		1	
	IC301	MST7912KC-ALF	MOS-IC	LQFP 128PIN	1	
	IC302	W10-0756-08	ROM IC	W25X10BVSNI	1	
	IC303	TC7SH08FU-F	MOS-IC		1	
	IC304	NJM2107F-ZB	ANALOGUE IC	PBFREE	1	
	IC305	RP131S331D-FE	ANALOGUE IC	3.3V	1	
	IC306	XC6223B181P-G	ANALOGUE IC	1.8V	1	
	IC307	XC6223B181P-G	ANALOGUE IC	1.8V	1	
	IC308	TC7SH08FU-F	MOS-IC		1	
	IC309	RP131S501D-FE	ANALOGUE IC	5V	1	

	IC401	-	ANALOGU IC	Replacement can not LT1947E-PBF	1	
	IC402	XC6213B332N-G	ANALOGUE IC	3.3V	1	
	IC501	TC7WH04FK-F	MOS-IC		1	
	IC502	TC7SH04FU-F	MOS-IC		1	
	Q102	CPH3105-E	TRANSISTOR		1	
	Q103	LSCR523EBFS8	TRANSISTOR		1	
	Q105	2SC4081	TRANSISTOR		1	
	Q106	2SA1576A	TRANSISTOR	Q R S	1	
	Q107	LTC014YEBFS8	TRANSISTOR	R2/R1:47K/10K NPN	1	
	Q201	RT1E040RP	FET	PCH MOS	1	
	Q202	LSCR523UBFS8	TRANSISTOR		1	
	Q203	LTA014YEBFS8	TRANSISTOR	R2/R1:47K/10K PNP	1	
	Q204	LSAR523UBFS8	TRANSISTOR		1	
	Q205	LTC014YEBFS8	TRANSISTOR	R2/R1:47K/10K NPN	1	
	Q206	LTC014YEBFS8	TRANSISTOR	R2/R1:47K/10K NPN	1	
	Q207	LTC014YEBFS8	TRANSISTOR	R2/R1:47K/10K NPN	1	
	Q208	LTC014YEBFS8	TRANSISTOR	R2/R1:47K/10K NPN	1	
	Q209	LTC014YEBFS8	TRANSISTOR	R2/R1:47K/10K NPN	1	
	Q210	LSCR523UBFS8	TRANSISTOR		1	
	Q211	LTC014YEBFS8	TRANSISTOR	R2/R1:47K/10K NPN	1	

	Q303	2SA1576A	TRANSISTOR	Q R S	1	
	Q304	2SC4081	TRANSISTOR		1	
	Q311	LSCR523UBFS8	TRANSISTOR		1	
	Q312	LTA014YEBFS8	TRANSISTOR	R2/R1:47K/10K PNP	1	
	Q313	LSAR523UBFS8	TRANSISTOR		1	

MODEL	MARK	MODEL	MARK
DNX7190HD	K0	DNX9990HD	K1

Safe	Symbol No.	Parts No.	Parts Name	Description	QTY	Local
	Q314	RT1E040RP	FET	PCH MOS	1	
	Q401	LSCR523UBFS8	TRANSISTOR		1	
	Q402	2SA1577	TRANSISTOR		1	
	Q403	2SA1576A	TRANSISTOR	Q R S	1	
	Q404	2SC4081	TRANSISTOR		1	
	Q405	LTC014YEBFS8	TRANSISTOR	R2/R1:47K/10K NPN	1	
	Q406	LTA014YEBFS8	TRANSISTOR	R2/R1:47K/10K PNP	1	
	Q407	LTC014YEBFS8	TRANSISTOR	R2/R1:47K/10K NPN	1	
	Q410	2SC4081	TRANSISTOR		1	
	Q411	2SA1576A	TRANSISTOR	Q R S	1	
	Q414	LTC014YEBFS8	TRANSISTOR	R2/R1:47K/10K NPN	1	
	Q415	LTA014YEBFS8	TRANSISTOR	R2/R1:47K/10K PNP	1	
	Q416	LTA014YEBFS8	TRANSISTOR		1	
	Q417	2SA1577	TRANSISTOR		1	
	Q418	LSCR523UBFS8	TRANSISTOR		1	
	Q419	LTA014YEBFS8	TRANSISTOR	R2/R1:47K/10K PNP	1	
	Q420	LSCR523UBFS8	TRANSISTOR		1	
	Q451	2SC4081	TRANSISTOR		1	
	Q452	2SC4081	TRANSISTOR		1	
	Q453	LTA014YEBFS8	TRANSISTOR		1	
	Q454	LTA014YEBFS8	TRANSISTOR		1	
	Q456	LTC014YEBFS8	TRANSISTOR	R2/R1:47K/10K NPN	1	
	Q457	LTC014YEBFS8	TRANSISTOR	R2/R1:47K/10K NPN	1	
	Q458	LSCR523UBFS8	TRANSISTOR		1	
	Q466	LSCR523UBFS8	TRANSISTOR		1	
	Q501	LSCR523UBFS8	TRANSISTOR		1	
	Q502	LSCR523UBFS8	TRANSISTOR		1	
	Q503	LSCR523UBFS8	TRANSISTOR		1	
	Q504	LSCR523UBFS8	TRANSISTOR		1	
	Q601	2SC5585	TRANSISTOR	1608 NPN	1	
	Q602	2SC5585	TRANSISTOR	1608 NPN	1	
	Q603	2SA2018	TRANSISTOR	1608 PNP	1	
	Q604	2SA2018	TRANSISTOR	1608 PNP	1	
	Q605	LTA014YEBFS8	TRANSISTOR	R2/R1:47K/10K PNP	1	
	Q606	LSCR523UBFS8	TRANSISTOR		1	
	Q607	LSCR523UBFS8	TRANSISTOR		1	
	Q801	LSCR523UBFS8	TRANSISTOR		1	
	Q802	LSCR523UBFS8	TRANSISTOR		1	
	Q803	LSCR523UBFS8	TRANSISTOR		1	
	Q804	LSCR523UBFS8	TRANSISTOR		1	
	Q816	LTC014YEBFS8	TRANSISTOR	R2/R1:47K/10K NPN	1	
	Q817	LTA014YEBFS8	TRANSISTOR	R2/R1:47K/10K PNP	1	
	D103	SJPB-L4	DIODE	40V 3A	1	
	D151	VR105C3R3BAA	VARIATOR	10V 40V 3.3P1005	1	
	D152	VR105C3R3BAA	VARIATOR	10V 40V 3.3P1005	1	
	D153	VR105C3R3BAA	VARIATOR	10V 40V 3.3P1005	1	
	D154	VR105C3R3BAA	VARIATOR	10V 40V 3.3P1005	1	
	D155	VR105C3R3BAA	VARIATOR	10V 40V 3.3P1005	1	
	D156	VR105C3R3BAA	VARIATOR	10V 40V 3.3P1005	1	
	D200	MA2S784-F	DIODE		1	
	D201	MA2S784-F	DIODE		1	
	D202	MA2S784-F	DIODE		1	
	D302	MA2S784-F	DIODE		1	
	D303	MA2S784-F	DIODE		1	
	D401	RB162M-40	DIODE	40V	1	
	D402	RB162M-40	DIODE	40V	1	
	D403	RB162M-40	DIODE	40V	1	
	D404	RB162M-60	DIODE	60V	1	
	D405	MC2850-T111	DIODE		1	
	D601	VR1005AAA270	VARIATOR	15V 27V 40P	1	
	D602	VR1005AAA270	VARIATOR	15V 27V 40P	1	
	D603	VR1005AAA270	VARIATOR	15V 27V 40P	1	
	D604	VR1005AAA270	VARIATOR	15V 27V 40P	1	
	D801	VR1005DDA080	VARIATOR	5.5V 8V 480P	1	
	D802	VR1005AAA270	VARIATOR	15V 27V 40P	1	
	D803	VR1005AAA270	VARIATOR	15V 27V 40P	1	
	D804	VR1005DDA080	VARIATOR	5.5V 8V 480P	1	
	D805	VR1005AAA270	VARIATOR	15V 27V 40P	1	
	D806	VR1005AAA270	VARIATOR	15V 27V 40P	1	
	D807	VR1005AAA270	VARIATOR	15V 27V 40P	1	
	D808	VR1005DDA080	VARIATOR	5.5V 8V 480P	1	
	D809	VR1005AAA270	VARIATOR	15V 27V 40P	1	
	D810	VR1005DDA080	VARIATOR	5.5V 8V 480P	1	
	C101	CK73FB1E475K	CHIP C	25V 4.7UF K	1	
	C102	CK73GB1E105K	CHIP C	25V 1.0UF K	1	
	C103	CK73HB1A104K	CHIP C	10V 0.10UF K	1	
	C104	CK73HB1A104K	CHIP C	10V 0.10UF K	1	
	C105	CK73HB1A104K	CHIP C	10V 0.10UF K	1	
	C106	CK73HB1A104K	CHIP C	10V 0.10UF K	1	
	C113	CK73EB1E106K	CHIP C	25V 10UF K	1	
	C114	CK73EB1E106K	CHIP C	25V 10UF K	1	
	C115	CK73EB1E106K	CHIP C	25V 10UF K	1	
	C116	CK73GB1H104K	CHIP C	50V 0.10UF K	1	
	C117	CK73HB1E103K	CHIP C	25V 0.010UF K	1	
	C118	CC73GCH1H471J	CHIP C	50V 470PF J	1	
	C120	CK73GB1H103K	CHIP C	50V 0.010UF K	1	
	C121	CK73GB1H104K	CHIP C	50V 0.10UF K	1	
	C122	CK73EB1H475K	CHIP C	50V 4.7UF K	1	
	C123	CK73EB1H475K	CHIP C	50V 4.7UF K	1	
	C131	CC73HCH1H560J	CHIP C	50V 56PF J	1	
	C132	CK73HB0J224K	CHIP C	6.3V 0.22UF K	1	
	C133	CC73HCH1H101J	CHIP C	50V 100PF J	1	
	C134	CK73EB1E105K	CHIP C	25V 1.0UF K	1	

MODEL	MARK	MODEL	MARK
DNX7190HD	K0	DNX9990HD	K1

Safe	Symbol No.	Parts No.	Parts Name	Description	QTY	Local
	C135	CK73HB0J105K	CHIP C	6.3V 1.0UF K	1	
	C136	C93-1509-05	CHIP C	50V 100PF F	1	
	C137	CK73GB1H104K	CHIP C	50V 0.10UF K	1	
	C138	CK73HB1E103K	CHIP C	25V 0.010UF K	1	
	C139	CK73HB0J105K	CHIP C	6.3V 1.0UF K	1	
	C201	CK73GB0J106M	CHIP C	6.3V 10UF M	1	
	C202	CK73HB1H222K	CHIP C	50V 2200PF K	1	
	C203	CK73HB1A104K	CHIP C	10V 0.10UF K	1	
	C204	CC73HCH1H070D	CHIP C	50V 7.0PF D	1	
	C205	CC73HCH1H150J	CHIP C	50V 15PF J	1	
	C206	CK73HB1A104K	CHIP C	10V 0.10UF K	1	
	C207	CK73HB1A104K	CHIP C	10V 0.10UF K	1	
	C208	CK73HB1A104K	CHIP C	10V 0.10UF K	1	
	C209	CK73HB0J105K	CHIP C	6.3V 1.0UF K	1	
	C210	CK73HB0J105K	CHIP C	6.3V 1.0UF K	1	
	C211	CK73GB0J106M	CHIP C	6.3V 10UF M	1	
	C212	CK73HB1H222K	CHIP C	50V 2200PF K	1	
	C221	CK73HB0J105K	CHIP C	6.3V 1.0UF K	1	
	C222	CK73HB1A104K	CHIP C	10V 0.10UF K	1	
	C223	CK73HB0J105K	CHIP C	6.3V 1.0UF K	1	
	C224	CK73HB0J105K	CHIP C	6.3V 1.0UF K	1	
	C225	CK73HB1A104K	CHIP C	10V 0.10UF K	1	
	C226	CK73HB1A104K	CHIP C	10V 0.10UF K	1	
	C227	CK73HB1H102K	CHIP C	50V 1000PF K	1	
	C228	CC73GCH1H101J	CHIP C	50V 100PF J	1	
	C229	CC73HCH1H101J	CHIP C	50V 100PF J	1	
	C231	CK73GB0J106M	CHIP C	6.3V 10UF M	1	
	C232	CK73HB1A104K	CHIP C	10V 0.10UF K	1	
	C233	CK73HB1A104K	CHIP C	10V 0.10UF K	1	
	C234	CK73HB1A104K	CHIP C	10V 0.10UF K	1	
	C301	CK73HB1A104K	CHIP C	10V 0.10UF K	1	
	C302	CK73HB1A104K	CHIP C	10V 0.10UF K	1	
	C303	CK73GB0J475K	CHIP C	6.3V 4.7UF K	1	
	C304	CK73HB1A104K	CHIP C	10V 0.10UF K	1	
	C305	CK73HB1A104K	CHIP C	10V 0.10UF K	1	
	C306	CK73HB1E103K	CHIP C	25V 0.010UF K	1	
	C307	CK73HB1E103K	CHIP C	25V 0.010UF K	1	
	C308	CK73HB1A104K	CHIP C	10V 0.10UF K	1	
	C309	CK73HB1E103K	CHIP C	25V 0.010UF K	1	
	C310	CK73HB1A104K	CHIP C	10V 0.10UF K	1	
	C311	CK73HB1E103K	CHIP C	25V 0.010UF K	1	
	C312	CK73HB1A104K	CHIP C	10V 0.10UF K	1	
	C313	CK73FB1C106K	CHIP C	16V 10UF K	1	
	C314	CK73GB0J106M	CHIP C	6.3V 10UF M	1	
	C315	CC73HCH1H220J	CHIP C	50V 22PF J	1	
	C316	CC73HCH1H220J	CHIP C	50V 22PF J	1	
	C317	CK73HB1A104K	CHIP C	10V 0.10UF K	1	
	C318	CC73HCH1H220J	CHIP C	50V 22PF J	1	
	C319	CK73HB1A104K	CHIP C	10V 0.10UF K	1	
	C320	CK73GB0J106M	CHIP C	6.3V 10UF M	1	
	C321	CC73HCH1H220J	CHIP C	50V 22PF J	1	
	C322	CC73HCH1H220J	CHIP C	50V 22PF J	1	
	C329	CK73HB1A104K	CHIP C	10V 0.10UF K	1	
	C333	CK73GB0J106M	CHIP C	6.3V 10UF M	1	
	C334	CK73HB1A104K	CHIP C	10V 0.10UF K	1	
	C335	CK73GB0J106M	CHIP C	6.3V 10UF M	1	
	C336	CK73HB1A104K	CHIP C	10V 0.10UF K	1	
	C337	CK73HB1A104K	CHIP C	10V 0.10UF K	1	
	C338	CK73HB1A104K	CHIP C	10V 0.10UF K	1	
	C339	CK73HB1H102K	CHIP C	50V 1000PF K	1	
	C340	CK73HB1E103K	CHIP C	25V 0.010UF K	1	
	C341	CK73HB1E103K	CHIP C	25V 0.010UF K	1	
	C342	CK73HB1E103K	CHIP C	25V 0.010UF K	1	
	C343	CK73GB0J106M	CHIP C	6.3V 10UF M	1	
	C344	CK73HB1A104K	CHIP C	10V 0.10UF K	1	
	C345	CK73HB1A104K	CHIP C	10V 0.10UF K	1	
	C346	CC73HCH1H101J	CHIP C	50V 100PF J	1	
	C347	CC73HCH1H101J	CHIP C	50V 100PF J	1	
	C350	CK73HB1H102K	CHIP C	50V 1000PF K	1	
	C351	CC73HCH1H101J	CHIP C	50V 100PF J	1	
	C352	CC73HCH1H101J	CHIP C	50V 100PF J	1	
	C353	CK73HB1A104K	CHIP C	10V 0.10UF K	1	
	C354	CC73HCH1H220J	CHIP C	50V 22PF J	1	
	C355	CK73HB1A104K	CHIP C	10V 0.10UF K	1	
	C356	CK73HB1A104K	CHIP C	10V 0.10UF K	1	
	C357	CK73HB1A104K	CHIP C	10V 0.10UF K	1	
	C358	CK73HB1A104K	CHIP C	10V 0.10UF K	1	
	C359	CK73GB0J106M	CHIP C	6.3V 10UF M	1	
	C360	CK73HB1A104K	CHIP C	10V 0.10UF K	1	
	C361	CK73HB1A104K	CHIP C	10V 0.10UF K	1	
	C362	CC73HCH1H070D	CHIP C	50V 7.0PF D	1	
	C363	CC73HCH1H120J	CHIP C	50V 12PF J	1	
	C364	CK73HB1A104K	CHIP C	10V 0.10UF K	1	
	C371	CK73HB0J105K	CHIP C	6.3V 1.0UF K	1	
	C372	CK73GB1A105K	CHIP C	10V 1.0UF K	1	
	C373	CK73FB1C106K	CHIP C	16V 10UF K	1	
	C374	CK73GB0J106M	CHIP C	6.3V 10UF M	1	
	C375	CK73HB0J105K	CHIP C	6.3V 1.0UF K	1	
	C376	CK73HB0J105K	CHIP C	6.3V 1.0UF K	1	
	C377	CK73FB0J226M	CHIP C	22UF M	1	
	C378	CK73HB0J105K	CHIP C	6.3V 1.0UF K	1	
	C379	CK73HB0J105K	CHIP C	6.3V 1.0UF K	1	

MODEL	MARK	MODEL	MARK
DNX7190HD	K0	DNX9990HD	K1

Safe	Symbol No.	Parts No.	Parts Name	Description	QTY	Local
	C382	CK73HB1A104K	CHIP C	10V 0.10UF K	1	
	C383	CK73GB0J106M	CHIP C	6.3V 10UF M	1	
	C384	CK73HB1A104K	CHIP C	10V 0.10UF K	1	
	C385	CK73GB0J106M	CHIP C	6.3V 10UF M	1	
	C386	CK73HB1E103K	CHIP C	25V 0.010UF K	1	
	C387	CK73HB1A104K	CHIP C	10V 0.10UF K	1	
	C401	CK73FB1C106K	CHIP C	16V 10UF K	1	
	C402	CK73FB1C106K	CHIP C	16V 10UF K	1	
	C403	CK73FB1C106K	CHIP C	16V 10UF K	1	
	C404	CK73HB1E103K	CHIP C	25V 0.010UF K	1	
	C405	CK73HB1H102K	CHIP C	50V 1000PF K	1	
	C406	CC73HCH1H151J	CHIP C	50V 150PF J	1	
	C407	CK73GB1C224K	CHIP C	16V 0.22UF K	1	
	C409	CK73HB1A104K	CHIP C	10V 0.10UF K	1	
	C411	CK73FB1C106K	CHIP C	16V 10UF K	1	
	C412	CK73FB1C106K	CHIP C	16V 10UF K	1	
	C413	CK73FB1C106K	CHIP C	16V 10UF K	1	
	C414	CK73GB1H104K	CHIP C	50V 0.10UF K	1	
	C415	CK73FB1C106K	CHIP C	16V 10UF K	1	
	C416	CK73FB1C106K	CHIP C	16V 10UF K	1	
	C417	CK73FB1E475K	CHIP C	25V 4.7UF K	1	
	C418	CK73FB1C106K	CHIP C	16V 10UF K	1	
	C421	CK73HB1E103K	CHIP C	25V 0.010UF K	1	
	C422	CK73GB1H104K	CHIP C	50V 0.10UF K	1	
	C423	CK73FB1C106K	CHIP C	16V 10UF K	1	
	C424	CK73GB1H104K	CHIP C	50V 0.10UF K	1	
	C429	CK73GB1H104K	CHIP C	50V 0.10UF K	1	
	C430	CK73GB1A105K	CHIP C	10V 1.0UF K	1	
	C431	CK73FB1C106K	CHIP C	16V 10UF K	1	
	C441	CK73GB1E154K	CHIP C	25V 0.15UF K	1	
	C442	CK73GB1H103K	CHIP C	50V 0.010UF K	1	
	C443	CK73GB1H104K	CHIP C	50V 0.10UF K	1	
	C444	CK73EB1E106K	CHIP C	25V 10UF K	1	
	C445	CK73GB0J106M	CHIP C	6.3V 10UF M	1	
	C446	CK73GB0J106M	CHIP C	6.3V 10UF M	1	
	C447	CK73FB1E475K	CHIP C	25V 4.7UF K	1	
	C448	CK73FB1E475K	CHIP C	25V 4.7UF K	1	
	C449	CK73FB1C106K	CHIP C	16V 10UF K	1	
	C451	CK73HB0J105K	CHIP C	6.3V 1.0UF K	1	
	C452	CK73HB0J105K	CHIP C	6.3V 1.0UF K	1	
	C461	CK73HB1H472K	CHIP C	50V 4700PF K	1	
	C501	CK73HB0J105K	CHIP C	6.3V 1.0UF K	1	
	C502	CK73FB1E475K	CHIP C	25V 4.7UF K	1	
	C503	CK73GB1H104K	CHIP C	50V 0.10UF K	1	
	C504	CK73HB1E103K	CHIP C	25V 0.010UF K	1	
	C505	CK73FB1E475K	CHIP C	25V 4.7UF K	1	
	C506	CK73HB1A104K	CHIP C	10V 0.10UF K	1	
	C507	CK73HB1E103K	CHIP C	25V 0.010UF K	1	
	C508	CK73GB0J106M	CHIP C	6.3V 10UF M	1	
	C509	CK73GB0J106M	CHIP C	6.3V 10UF M	1	
	C510	CK73GB0J106M	CHIP C	6.3V 10UF M	1	
	C511	CK73HB1A104K	CHIP C	10V 0.10UF K	1	
	C512	CK73HB1E103K	CHIP C	25V 0.010UF K	1	
	C513	CK73FB1C106K	CHIP C	16V 10UF K	1	
	C514	CK73FB1C106K	CHIP C	16V 10UF K	1	
	C515	CK73FB1C106K	CHIP C	16V 10UF K	1	
	C516	CK73FB1C106K	CHIP C	16V 10UF K	1	
	C517	CK73FB1C106K	CHIP C	16V 10UF K	1	
	C518	CK73GB1H104K	CHIP C	50V 0.10UF K	1	
	C519	CK73HB1E103K	CHIP C	25V 0.010UF K	1	
	C520	CK73HB1A104K	CHIP C	10V 0.10UF K	1	
	C521	CK73HB1A104K	CHIP C	10V 0.10UF K	1	
	C522	CK73HB1A104K	CHIP C	10V 0.10UF K	1	
	C523	CK73HB1A104K	CHIP C	10V 0.10UF K	1	
	C524	CK73HB1A104K	CHIP C	10V 0.10UF K	1	
	C525	CK73HB1A104K	CHIP C	10V 0.10UF K	1	
	C526	CK73HB1A104K	CHIP C	10V 0.10UF K	1	
	C527	CK73HB1A104K	CHIP C	10V 0.10UF K	1	
	C528	CK73GB1H104K	CHIP C	50V 0.10UF K	1	
	C529	CK73GB1H104K	CHIP C	50V 0.10UF K	1	
	C530	CK73HB1A104K	CHIP C	10V 0.10UF K	1	
	C531	CK73GB0J475K	CHIP C	6.3V 4.7UF K	1	
	C532	CK73HB1A104K	CHIP C	10V 0.10UF K	1	
	C533	CK73GB0J475K	CHIP C	6.3V 4.7UF K	1	
	C534	CK73HB1H102K	CHIP C	50V 1000PF K	1	
	C535	CK73HB1H102K	CHIP C	50V 1000PF K	1	
	C536	CK73HB1H102K	CHIP C	50V 1000PF K	1	
	C537	CK73HB1H102K	CHIP C	50V 1000PF K	1	
	C538	CK73HB1H102K	CHIP C	50V 1000PF K	1	
	C539	CK73HB1H102K	CHIP C	50V 1000PF K	1	
	C540	CK73HB1H102K	CHIP C	50V 1000PF K	1	
	C541	CK73HB1H102K	CHIP C	50V 1000PF K	1	
	C542	CK73HB1H102K	CHIP C	50V 1000PF K	1	
	C543	CK73HB1H102K	CHIP C	50V 1000PF K	1	
	C544	CK73HB1H102K	CHIP C	50V 1000PF K	1	
	C545	CK73HB1H102K	CHIP C	50V 1000PF K	1	
	C546	CK73HB1H102K	CHIP C	50V 1000PF K	1	
	C547	CK73HB1H102K	CHIP C	50V 1000PF K	1	
	C603	CK73GB0J106M	CHIP C	6.3V 10UF M	1	
	C703	CK73FB0J226M	CHIP C	22UF M	1	
	C801	CK73HB1A104K	CHIP C	10V 0.10UF K	1	
	C802	CK73HB1A104K	CHIP C	10V 0.10UF K	1	

MODEL	MARK	MODEL	MARK
DNX7190HD	K0	DNX9990HD	K1

Safe	Symbol No.	Parts No.	Parts Name	Description	QTY	Local
	C803	CK73HB1A104K	CHIP C	10V 0.10UF K	1	
	C804	CK73HB1A104K	CHIP C	10V 0.10UF K	1	
	C805	CK73FB0J226M	CHIP C	22UF M	1	
	C806	CK73HB1H102K	CHIP C	50V 1000PF K	1	
	R101	RK73FB2B302J	CHIP R	3.0K J 1/8W	1	
	R102	RK73HB1J000J	CHIP R	0.0 J 1/16W	1	
	R103	RK73HB1J000J	CHIP R	0.0 J 1/16W	1	
	R104	RK73FB2B392J	CHIP R	3.9K J 1/8W	1	
	R106	RK73HB1J473J	CHIP R	47K J 1/16W	1	
	R107	RK73HH1J123D	CHIP R	12K D 1/16W	1	
	R108	RK73HH1J103D	CHIP R	10K D 1/16W	1	
	R109	RK73HB1J473J	CHIP R	47K J 1/16W	1	
	R110	RK73HB1J473J	CHIP R	47K J 1/16W	1	
	R111	RK73GB2A000J	CHIP R	0.0 J 1/10W	1	
	R112	RK73HB1J473J	CHIP R	47K J 1/16W	1	
	R114	RK73HB1J473J	CHIP R	47K J 1/16W	1	
	R115	RK73HB1J473J	CHIP R	47K J 1/16W	1	
	R116	RK73HB1J101J	CHIP R	100 J 1/16W	1	
	R117	RK73GH2A151D	CHIP R	150 D 1/10W	1	
	R119	RK73HB1J473J	CHIP R	47K J 1/16W	1	
	R120	RK73HB1J473J	CHIP R	47K J 1/16W	1	
	R121	RK73GH2A151D	CHIP R	150 D 1/10W	1	
	R122	RK73GH2A151D	CHIP R	150 D 1/10W	1	
	R123	RK73GH2A151D	CHIP R	150 D 1/10W	1	
	R124	RK73HB1J000J	CHIP R	0.0 J 1/16W	1	
	R125	RK73HB1J000J	CHIP R	0.0 J 1/16W	1	
	R131	RK73HH1J683D	CHIP R	68K D 1/16W	1	
	R132	RK73HH1J914D	CHIP R	910K D 1/16W	1	
	R133	RK73HH1J363D	CHIP R	36K D 1/16W	1	
	R134	RK73HB1J102J	CHIP R	1.0K J 1/16W	1	
	R135	RK73HB1J104J	CHIP R	100K J 1/16W	1	
	R136	RK73HB1J473J	CHIP R	47K J 1/16W	1	
	R137	RK73HB1J473J	CHIP R	47K J 1/16W	1	
	R139	RK73HH1J393D	CHIP R	39K D 1/16W	1	
	R140	RK73HB1J473J	CHIP R	47K J 1/16W	1	
	R141	RK73HB1J102J	CHIP R	1.0K J 1/16W	1	
	R142	RK73EB2E100J	CHIP R	10 J 1/4W	1	
	R150	RK73HB1J000J	CHIP R	0.0 J 1/16W	1	
	R151	RK73HB1J000J	CHIP R	0.0 J 1/16W	1	
	R152	RK73HB1J101J	CHIP R	100 J 1/16W	1	
	R153	RK73HB1J470J	CHIP R	47 J 1/16W	1	
	R154	RK73HB1J470J	CHIP R	47 J 1/16W	1	
	R156	RK73HB1J100J	CHIP R	10 J 1/16W	1	
	R157	RK73HB1J100J	CHIP R	10 J 1/16W	1	
	R158	RK73HB1J101J	CHIP R	100 J 1/16W	1	
	R160	RK73HB1J100J	CHIP R	10 J 1/16W	1	
	R161	RK73HB1J100J	CHIP R	10 J 1/16W	1	
	R162	RK73HB1J101J	CHIP R	100 J 1/16W	1	
	R204	RK73HB1J101J	CHIP R	100 J 1/16W	1	
	R205	RK73HB1J154J	CHIP R	150K J 1/16W	1	
	R206	RK73HB1J101J	CHIP R	100 J 1/16W	1	
	R207	RK73HB1J222J	CHIP R	2.2K J 1/16W	1	
	R208	RK73HB1J153J	CHIP R	15K J 1/16W	1	
	R209	RK73HB1J103J	CHIP R	10K J 1/16W	1	
	R210	RK73HB1J101J	CHIP R	100 J 1/16W	1	
	R211	RK73HB1J101J	CHIP R	100 J 1/16W	1	
	R212	RK73HB1J101J	CHIP R	100 J 1/16W	1	
	R213	RK73HB1J101J	CHIP R	100 J 1/16W	1	
	R214	RK73HB1J101J	CHIP R	100 J 1/16W	1	
	R215	RK73HB1J473J	CHIP R	47K J 1/16W	1	
	R216	RK73HB1J101J	CHIP R	100 J 1/16W	1	
	R217	RK73HB1J473J	CHIP R	47K J 1/16W	1	
	R218	RK73HB1J101J	CHIP R	100 J 1/16W	1	
	R219	RK73HB1J473J	CHIP R	47K J 1/16W	1	
	R220	RK73HB1J101J	CHIP R	100 J 1/16W	1	
	R221	RK73HB1J103J	CHIP R	10K J 1/16W	1	
	R222	RK73HB1J103J	CHIP R	10K J 1/16W	1	
	R223	RK73HB1J100J	CHIP R	10 J 1/16W	1	
	R224	RK73HB1J101J	CHIP R	100 J 1/16W	1	
	R225	RK73HB1J473J	CHIP R	47K J 1/16W	1	
	R226	RK73HB1J101J	CHIP R	100 J 1/16W	1	
	R227	RK73HB1J473J	CHIP R	47K J 1/16W	1	
	R228	RK73HB1J101J	CHIP R	100 J 1/16W	1	
	R229	RK73HB1J102J	CHIP R	1.0K J 1/16W	1	
	R230	RK73HB1J473J	CHIP R	47K J 1/16W	1	
	R232	RK73HB1J473J	CHIP R	47K J 1/16W	1	
	R234	RK73HB1J473J	CHIP R	47K J 1/16W	1	
	R235	RK73HB1J473J	CHIP R	47K J 1/16W	1	
	R237	RK73HB1J101J	CHIP R	100 J 1/16W	1	
	R238	RK73HB1J102J	CHIP R	1.0K J 1/16W	1	
	R239	RK73HB1J473J	CHIP R	47K J 1/16W	1	
	R240	RK73HB1J101J	CHIP R	100 J 1/16W	1	
	R241	RK73HB1J101J	CHIP R	100 J 1/16W	1	
	R242	RK73HB1J101J	CHIP R	100 J 1/16W	1	
	R243	RK73HB1J472J	CHIP R	4.7K J 1/16W	1	
	R244	RK73HB1J101J	CHIP R	100 J 1/16W	1	
	R245	RK73HB1J472J	CHIP R	4.7K J 1/16W	1	
	R246	RK73HB1J101J	CHIP R	100 J 1/16W	1	
	R247	RK73HB1J101J	CHIP R	100 J 1/16W	1	
	R248	RK73HB1J473J	CHIP R	47K J 1/16W	1	
	R249	RK73HB1J101J	CHIP R	100 J 1/16W	1	
	R250	RK73HB1J101J	CHIP R	100 J 1/16W	1	
	R251	RK73HB1J473J	CHIP R	47K J 1/16W	1	

MODEL	MARK	MODEL	MARK
DNX7190HD	K0	DNX9990HD	K1

Safe	Symbol No.	Parts No.	Parts Name	Description	QTY	Local
	R252	RK73HB1J470J	CHIP R	47 J 1/16W	1	
	R253	RK73HB1J101J	CHIP R	100 J 1/16W	1	
	R254	RK73HB1J101J	CHIP R	100 J 1/16W	1	
	R255	RK73HB1J104J	CHIP R	100K J 1/16W	1	
	R256	RK73HB1J102J	CHIP R	1.0K J 1/16W	1	
	R259	RK73HB1J000J	CHIP R	0.0 J 1/16W	1	
	R260	RK73HB1J000J	CHIP R	0.0 J 1/16W	1	
	R261	RK73HB1J000J	CHIP R	0.0 J 1/16W	1	
	R262	RK73HB1J000J	CHIP R	0.0 J 1/16W	1	
	R263	RK73HB1J000J	CHIP R	0.0 J 1/16W	1	
	R264	RK73HB1J101J	CHIP R	100 J 1/16W	1	
	R265	RK73HB1J101J	CHIP R	100 J 1/16W	1	
	R266	RK73HB1J473J	CHIP R	47K J 1/16W	1	
	R267	RK73EB2E000J	CHIP R	0.0 J 1/4W	1	
	R269	RK73EB2E150J	CHIP R	15 J 1/4W	1	
	R270	RK73EB2E150J	CHIP R	15 J 1/4W	1	
	R271	RK73HB1J101J	CHIP R	100 J 1/16W	1	
	R272	RK73HB1J473J	CHIP R	47K J 1/16W	1	
	R273	RK73HB1J153J	CHIP R	15K J 1/16W	1	
	R274	RK73HB1J101J	CHIP R	100 J 1/16W	1	
	R275	RK73HB1J102J	CHIP R	1.0K J 1/16W	1	
	R276	RK73HB1J471J	CHIP R	470 J 1/16W	1	
	R277	RK73HB1J204J	CHIP R	200K J 1/16W	1	
	R278	RK73HB1J473J	CHIP R	47K J 1/16W	1	
	R279	RK73HB1J101J	CHIP R	100 J 1/16W	1	
	R280	RK73HB1J103J	CHIP R	10K J 1/16W	1	
	R281	RK73HB1J103J	CHIP R	10K J 1/16W	1	
	R282	RK73HB1J102J	CHIP R	1.0K J 1/16W	1	
	R283	RK73HB1J473J	CHIP R	47K J 1/16W	1	
	R286	RK73HB1J473J	CHIP R	47K J 1/16W	1	
	R287	RK73HB1J473J	CHIP R	47K J 1/16W	1	
	R288	RK73HB1J223J	CHIP R	22K J 1/16W	1	
	R291	RK73HB1J102J	CHIP R	1.0K J 1/16W	1	
	R292	RK73HB1J000J	CHIP R	0.0 J 1/16W	1	
	R293	RK73HB1J472J	CHIP R	4.7K J 1/16W	1	
	R294	RK73HB1J472J	CHIP R	4.7K J 1/16W	1	
	R295	RK73HB1J103J	CHIP R	10K J 1/16W	1	
	R296	RK73HB1J473J	CHIP R	47K J 1/16W	1	
	R297	RK73HB1J102J	CHIP R	1.0K J 1/16W	1	
	R299	RK73HB1J101J	CHIP R	100 J 1/16W	1	
	R302	RK73HH1J470D	CHIP R	47 D 1/16W	1	
	R303	RK73HH1J181D	CHIP R	180 D 1/16W	1	
	R304	RK73HH1J470D	CHIP R	47 D 1/16W	1	
	R305	RK73HH1J181D	CHIP R	180 D 1/16W	1	
	R306	RK73HH1J102D	CHIP R	1.0K D 1/16W	1	
	R307	RK73HH1J102D	CHIP R	1.0K D 1/16W	1	
	R308	RK73HH1J470D	CHIP R	47 D 1/16W	1	
	R309	RK73HH1J181D	CHIP R	180 D 1/16W	1	
	R310	RK73HB1J000J	CHIP R	0.0 J 1/16W	1	
	R312	RK73HH1J822D	CHIP R	8.2K D 1/16W	1	
	R313	RK73HH1J472D	CHIP R	4.7K D 1/16W	1	
	R314	RK73HB1J473J	CHIP R	47K J 1/16W	1	
	R315	RK73HH1J752D	CHIP R	7.5K D 1/16W	1	
	R316	RK73HH1J153D	CHIP R	15K D 1/16W	1	
	R317	RK73HB1J473J	CHIP R	47K J 1/16W	1	
	R318	RK73HH1J103D	CHIP R	10K D 1/16W	1	
	R319	RK73HB1J473J	CHIP R	47K J 1/16W	1	
	R320	RK73HB1J473J	CHIP R	47K J 1/16W	1	
	R321	RK73HB1J101J	CHIP R	100 J 1/16W	1	
	R322	RK73HB1J101J	CHIP R	100 J 1/16W	1	
	R323	RK73HB1J101J	CHIP R	100 J 1/16W	1	
	R324	RK73HB1J473J	CHIP R	47K J 1/16W	1	
	R325	RK73HB1J101J	CHIP R	100 J 1/16W	1	
	R326	RK73HB1J101J	CHIP R	100 J 1/16W	1	
	R327	RK73HH1J220D	CHIP R	22 D 1/16W	1	
	R328	RK73HB1J101J	CHIP R	100 J 1/16W	1	
	R329	RK73HB1J101J	CHIP R	100 J 1/16W	1	
	R330	RK73HB1J101J	CHIP R	100 J 1/16W	1	
	R331	RK73HB1J101J	CHIP R	100 J 1/16W	1	
	R332	RK73HB1J101J	CHIP R	100 J 1/16W	1	
	R333	RK73HB1J473J	CHIP R	47K J 1/16W	1	
	R334	RK73HB1J472J	CHIP R	4.7K J 1/16W	1	
	R335	RK73HB1J472J	CHIP R	4.7K J 1/16W	1	
	R336	RK73HB1J102J	CHIP R	1.0K J 1/16W	1	
	R337	RK73HB1J102J	CHIP R	1.0K J 1/16W	1	
	R338	RK73HH1J220D	CHIP R	22 D 1/16W	1	
	R339	RK73HH1J220D	CHIP R	22 D 1/16W	1	
	R340	RK73HB1J101J	CHIP R	100 J 1/16W	1	
	R341	RK73HB1J103J	CHIP R	10K J 1/16W	1	
	R342	RK73HB1J470J	CHIP R	47 J 1/16W	1	
	R343	RK73HB1J472J	CHIP R	4.7K J 1/16W	1	
	R344	RK73HB1J472J	CHIP R	4.7K J 1/16W	1	
	R345	RK73HB1J101J	CHIP R	100 J 1/16W	1	
	R346	RK73HB1J101J	CHIP R	100 J 1/16W	1	
	R347	RK73HB1J101J	CHIP R	100 J 1/16W	1	
	R348	RK73HB1J472J	CHIP R	4.7K J 1/16W	1	
	R349	RK73HB1J101J	CHIP R	100 J 1/16W	1	
	R350	RK73HB1J270J	CHIP R	27 J 1/16W	1	
	R351	RK73HB1J100J	CHIP R	10 J 1/16W	1	
	R352	RK73HB1J121J	CHIP R	120 J 1/16W	1	
	R353	RK73HB1J470J	CHIP R	47 J 1/16W	1	
	R354	RK73HB1J101J	CHIP R	100 J 1/16W	1	

MODEL	MARK	MODEL	MARK
DNX7190HD	K0	DNX9990HD	K1

Safe	Symbol No.	Parts No.	Parts Name	Description	QTY	Local
	R355	RK73HB1J121J	CHIP R	120 J 1/16W	1	
	R356	RK73HB1J121J	CHIP R	120 J 1/16W	1	
	R357	RK73HB1J470J	CHIP R	47 J 1/16W	1	
	R358	RK73HB1J121J	CHIP R	120 J 1/16W	1	
	R359	RK73HB1J470J	CHIP R	47 J 1/16W	1	
	R360	RK73HB1J103J	CHIP R	10K J 1/16W	1	
	R361	RK73HB1J101J	CHIP R	100 J 1/16W	1	
	R362	RK73HB1J222J	CHIP R	2.2K J 1/16W	1	
	R363	RK73HB1J105J	CHIP R	1.0M J 1/16W	1	
	R364	RK73HH1J220D	CHIP R	22 D 1/16W	1	
	R365	RK73HH1J220D	CHIP R	22 D 1/16W	1	
	R366	RK73GB2A471J	CHIP R	470 J 1/10W	1	
	R367	RK73HB1J102J	CHIP R	1.0K J 1/16W	1	
	R368	RK73HB1J473J	CHIP R	47K J 1/16W	1	
	R371	RK73HB1J103J	CHIP R	10K J 1/16W	1	
	R372	RK73HB1J473J	CHIP R	47K J 1/16W	1	
	R374	RK73HB1J101J	CHIP R	100 J 1/16W	1	
	R375	RK73HB1J103J	CHIP R	10K J 1/16W	1	
	R376	RK73HB1J471J	CHIP R	470 J 1/16W	1	
	R377	RK73HB1J104J	CHIP R	100K J 1/16W	1	
	R381	RK73HB1J101J	CHIP R	100 J 1/16W	1	
	R382	RK73HB1J472J	CHIP R	4.7K J 1/16W	1	
	R383	RK73HB1J330J	CHIP R	33 J 1/16W	1	
	R384	RK73HB1J101J	CHIP R	100 J 1/16W	1	
	R385	RK73HB1J330J	CHIP R	33 J 1/16W	1	
	R386	RK73HB1J330J	CHIP R	33 J 1/16W	1	
	R387	RK73HB1J473J	CHIP R	47K J 1/16W	1	
	R388	RK73HB1J473J	CHIP R	47K J 1/16W	1	
	R391	RK73HH1J123D	CHIP R	12K D 1/16W	1	
	R392	RK73HH1J912D	CHIP R	9.1K D 1/16W	1	
	R393	RK73HH1J472D	CHIP R	4.7K D 1/16W	1	
	R394	RK73HH1J123D	CHIP R	12K D 1/16W	1	
	R395	RK73HB1J102J	CHIP R	1.0K J 1/16W	1	
	R396	RK73HB1J472J	CHIP R	4.7K J 1/16W	1	
	R397	RK73HB1J472J	CHIP R	4.7K J 1/16W	1	
	R401	RK73HB1J102J	CHIP R	1.0K J 1/16W	1	
	R403	RK73HB1J472J	CHIP R	4.7K J 1/16W	1	
	R404	RK73HH1J104D	CHIP R	100K D 1/16W	1	
	R405	RK73HH1J133D	CHIP R	13K D 1/16W	1	
	R406	RK73HH1J114D	CHIP R	110K D 1/16W	1	
	R407	RK73HH1J822D	CHIP R	8.2K D 1/16W	1	
	R408	RK73GB2A103J	CHIP R	10K J 1/10W	1	
	R410	RK73HB1J101J	CHIP R	100 J 1/16W	1	
	R411	RK73HB1J472J	CHIP R	4.7K J 1/16W	1	
	R412	RK73HB1J302J	CHIP R	3.0K J 1/16W	1	
	R413	RK73HB1J272J	CHIP R	2.7K J 1/16W	1	
	R414	RK73HB1J332J	CHIP R	3.3K J 1/16W	1	
	R415	RK73HB1J203J	CHIP R	20K J 1/16W	1	
	R416	RK73HH1J203D	CHIP R	20K D 1/16W	1	
	R417	RK73HH1J103D	CHIP R	10K D 1/16W	1	
	R418	RK73HH1J122D	CHIP R	1.2K D 1/16W	1	
	R419	RK73HB1J123J	CHIP R	12K J 1/16W	1	
	R421	RK73FB2B122J	CHIP R	1.2K J 1/8W	1	
	R422	RK73HB1J103J	CHIP R	10K J 1/16W	1	
	R423	RK73HB1J473J	CHIP R	47K J 1/16W	1	
	R424	RK73HB1J104J	CHIP R	100K J 1/16W	1	
	R425	RK73HB1J103J	CHIP R	10K J 1/16W	1	
	R426	RK73HH1J822D	CHIP R	8.2K D 1/16W	1	
	R427	RK73HH1J113D	CHIP R	11K D 1/16W	1	
	R428	RK73HB1J472J	CHIP R	4.7K J 1/16W	1	
	R429	RK73HB1J104J	CHIP R	100K J 1/16W	1	
	R430	RK73HB1J472J	CHIP R	4.7K J 1/16W	1	
	R431	RK73HB1J101J	CHIP R	100 J 1/16W	1	
	R432	RK73HB1J103J	CHIP R	10K J 1/16W	1	
	R433	RK73HB1J101J	CHIP R	100 J 1/16W	1	
	R434	RK73HB1J102J	CHIP R	1.0K J 1/16W	1	
	R435	RK73HB1J103J	CHIP R	10K J 1/16W	1	
	R436	RK73GB2A822J	CHIP R	8.2K J 1/10W	1	
	R451	RK73HH1J133D	CHIP R	13K D 1/16W	1	
	R452	RK73HH1J471D	CHIP R	470 D 1/16W	1	
	R453	RK73HH1J103D	CHIP R	10K D 1/16W	1	
	R454	RK73HB1J222J	CHIP R	2.2K J 1/16W	1	
	R455	RK73HB1J222J	CHIP R	2.2K J 1/16W	1	
	R456	RK73HB1J222J	CHIP R	2.2K J 1/16W	1	
	R457	RK73HH1J153D	CHIP R	15K D 1/16W	1	
	R458	RK73HH1J622D	CHIP R	6.2K D 1/16W	1	
	R460	RK73HB1J473J	CHIP R	47K J 1/16W	1	
	R461	RK73HB1J473J	CHIP R	47K J 1/16W	1	
	R462	RK73HB1J000J	CHIP R	0.0 J 1/16W	1	
	R463	RK73HB1J102J	CHIP R	1.0K J 1/16W	1	
	R464	RK73HB1J473J	CHIP R	47K J 1/16W	1	
	R465	RK73HB1J102J	CHIP R	1.0K J 1/16W	1	
	R466	RK73HB1J153J	CHIP R	15K J 1/16W	1	
	R467	RK73HB1J473J	CHIP R	47K J 1/16W	1	
	R470	RK73HB1J000J	CHIP R	0.0 J 1/16W	1	
	R471	RK73HB1J000J	CHIP R	0.0 J 1/16W	1	
	R472	RK73HB1J000J	CHIP R	0.0 J 1/16W	1	
	R473	RK73HB1J000J	CHIP R	0.0 J 1/16W	1	
	R482	RK73HB1J222J	CHIP R	2.2K J 1/16W	1	
	R501	RK73HB1J101J	CHIP R	100 J 1/16W	1	
	R502	RK73EB2E392J	CHIP R	3.9K J 1/4W	1	
	R503	RK73HB1J101J	CHIP R	100 J 1/16W	1	
	R504	RK73HB1J000J	CHIP R	0.0 J 1/16W	1	

MODEL	MARK	MODEL	MARK
DNX7190HD	K0	DNX9990HD	K1

Safe	Symbol No.	Parts No.	Parts Name	Description	QTY	Local
	R505	RK73HB1J000J	CHIP R	0.0 J 1/16W	1	
	R506	RK73HH1J331D	CHIP R	330 D 1/16W	1	
	R507	RK73EB2E102J	CHIP R	1.0K J 1/4W	1	
	R508	RK73GB2A000J	CHIP R	0.0 J 1/10W	1	
	R509	RK73GB2A821J	CHIP R	820 J 1/10W	1	
	R510	RK73HH1J620D	CHIP R	62 D 1/16W	1	
	R511	RK73HH1J161D	CHIP R	160 D 1/16W	1	
	R512	RK73HH1J430D	CHIP R	43 D 1/16W	1	
	R513	RK73HH1J390D	CHIP R	39 D 1/16W	1	
	R514	RK73HH1J101D	CHIP R	100 D 1/16W	1	
	R515	RK73HH1J161D	CHIP R	160 D 1/16W	1	
	R516	RK73HH1J101D	CHIP R	100 D 1/16W	1	
	R517	RK73HH1J390D	CHIP R	39 D 1/16W	1	
	R518	RK73HH1J430D	CHIP R	43 D 1/16W	1	
	R519	RK73HH1J161D	CHIP R	160 D 1/16W	1	
	R520	RK73HH1J820D	CHIP R	82 D 1/16W	1	
	R521	RK73GB2A102J	CHIP R	1.0K J 1/10W	1	
	R522	RK73HH1J361D	CHIP R	360 D 1/16W	1	
	R523	RK73GB2A821J	CHIP R	820 J 1/10W	1	
	R524	RK73HB1J101J	CHIP R	100 J 1/16W	1	
	R525	RK73HH1J331D	CHIP R	330 D 1/16W	1	
	R526	RK73GB2A821J	CHIP R	820 J 1/10W	1	
	R527	RK73HH1J361D	CHIP R	360 D 1/16W	1	
	R528	RK73GB2A821J	CHIP R	820 J 1/10W	1	
	R529	RK73HB1J101J	CHIP R	100 J 1/16W	1	
	R530	RK73HH1J331D	CHIP R	330 D 1/16W	1	
	R531	RK73GB2A821J	CHIP R	820 J 1/10W	1	
	R532	RK73HH1J361D	CHIP R	360 D 1/16W	1	
	R533	RK73GB2A821J	CHIP R	820 J 1/10W	1	
	R534	RK73HB1J101J	CHIP R	100 J 1/16W	1	
	R535	RK73HH1J331D	CHIP R	330 D 1/16W	1	
	R536	RK73GB2A821J	CHIP R	820 J 1/10W	1	
	R537	RK73HH1J361D	CHIP R	360 D 1/16W	1	
	R538	RK73GB2A821J	CHIP R	820 J 1/10W	1	
	R601	RK73GH2A220D	CHIP R	22 D 1/10W	1	
	R602	RK73GH2A100D	CHIP R	10 D 1/10W	1	
	R603	RK73GH2A220D	CHIP R	22 D 1/10W	1	
	R604	RK73GH2A100D	CHIP R	10 D 1/10W	1	
	R605	RK73GB2A100J	CHIP R	10 J 1/10W	1	
	R606	RK73GB2A100J	CHIP R	10 J 1/10W	1	
	R607	RK73GB2A100J	CHIP R	10 J 1/10W	1	
	R608	RK73GB2A100J	CHIP R	10 J 1/10W	1	
	R611	RK73HB1J102J	CHIP R	1.0K J 1/16W	1	
	R612	RK73HB1J102J	CHIP R	1.0K J 1/16W	1	
	R613	RK73HB1J102J	CHIP R	1.0K J 1/16W	1	
	R614	RK73HB1J102J	CHIP R	1.0K J 1/16W	1	
	R615	RK73HB1J473J	CHIP R	47K J 1/16W	1	
	R616	RK73HB1J473J	CHIP R	47K J 1/16W	1	
	R619	RK73HB1J222J	CHIP R	2.2K J 1/16W	1	
	R620	RK73HB1J222J	CHIP R	2.2K J 1/16W	1	
	R621	RK73HB1J473J	CHIP R	47K J 1/16W	1	
	R622	RK73HB1J473J	CHIP R	47K J 1/16W	1	
	R623	RK73HB1J000J	CHIP R	0.0 J 1/16W	1	
	R624	RK73HB1J000J	CHIP R	0.0 J 1/16W	1	
	R625	RK73HB1J103J	CHIP R	10K J 1/16W	1	
	R629	RK73GB2A224J	CHIP R	220K J 1/10W	1	
	R633	RK73HB1J102J	CHIP R	1.0K J 1/16W	1	
	R634	RK73HH1J621D	CHIP R	620 D 1/16W	1	
	R640	RK73HB1J000J	CHIP R	0.0 J 1/16W	1	
	R648	RK73GB2A000J	CHIP R	0.0 J 1/10W	1	
	R733	RK73GB2A000J	CHIP R	0.0 J 1/10W	1	
	R801	RK73HB1J101J	CHIP R	100 J 1/16W	1	
	R802	RK73HB1J101J	CHIP R	100 J 1/16W	1	
	R803	RK73HB1J101J	CHIP R	100 J 1/16W	1	
	R804	RK73HB1J101J	CHIP R	100 J 1/16W	1	
	R805	RK73HB1J473J	CHIP R	47K J 1/16W	1	
	R806	RK73GH2A331D	CHIP R	330 D 1/10W	1	
	R807	RK73GH2A361D	CHIP R	360 D 1/10W	1	
	R808	RK73HB1J473J	CHIP R	47K J 1/16W	1	
	R809	RK73GH2A331D	CHIP R	330 D 1/10W	1	
	R810	RK73GH2A361D	CHIP R	360 D 1/10W	1	
	R811	RK73HB1J473J	CHIP R	47K J 1/16W	1	
	R812	RK73GH2A331D	CHIP R	330 D 1/10W	1	
	R813	RK73GH2A361D	CHIP R	360 D 1/10W	1	
	R814	RK73HB1J473J	CHIP R	47K J 1/16W	1	
	R815	RK73GH2A331D	CHIP R	330 D 1/10W	1	
	R816	RK73GH2A361D	CHIP R	360 D 1/10W	1	
	R817	RK73GB2A101J	CHIP R	100 J 1/10W	1	
	R818	RK73GB2A221J	CHIP R	220 J 1/10W	1	
	R819	RK73GB2A100J	CHIP R	10 J 1/10W	1	
	R820	RK73GB2A100J	CHIP R	10 J 1/10W	1	
	R821	RK73GB2A100J	CHIP R	10 J 1/10W	1	
	R822	RK73GB2A100J	CHIP R	10 J 1/10W	1	
	R823	RK73GB2A100J	CHIP R	10 J 1/10W	1	
	R824	RK73GB2A100J	CHIP R	10 J 1/10W	1	
	R825	RK73GB2A101J	CHIP R	100 J 1/10W	1	
	R826	RK73GB2A101J	CHIP R	100 J 1/10W	1	
	R827	RK73GB2A100J	CHIP R	10 J 1/10W	1	
	R866	RK73HB1J100J	CHIP R	10 J 1/16W	1	
	R891	RK73HB1J473J	CHIP R	47K J 1/16W	1	
	R892	RK73GB2A391J	CHIP R	390 J 1/10W	1	
	L102	L33-2607-05	CHOKE COIL		1	

MODEL	MARK	MODEL	MARK
DNX7190HD	K0	DNX9990HD	K1

Safe	Symbol No.	Parts No.	Parts Name	Description	QTY	Local
	L103	L92-0364-05	CHIP FERRITE		1	
	L201	L92-0332-05	CHIP FERRITE		1	
	L202	L92-0332-05	CHIP FERRITE		1	
	L301	L92-0180-05	CHIP FERRITE	1K	1	
	L302	L92-0180-05	CHIP FERRITE	1K	1	
	L303	L92-0180-05	CHIP FERRITE	1K	1	
	L304	L92-0373-05	CHIP FERRITE		1	
	L305	L92-0180-05	CHIP FERRITE	1K	1	
	L306	L92-0180-05	CHIP FERRITE	1K	1	
	L307	L92-0180-05	CHIP FERRITE	1K	1	
	L308	L92-0180-05	CHIP FERRITE	1K	1	
	L309	L92-0180-05	CHIP FERRITE	1K	1	
	L310	L92-0180-05	CHIP FERRITE	1K	1	
	L311	L41-1001-62	SMALL FIXED INDUCTOR	10U	1	
	L312	L92-0180-05	CHIP FERRITE	1K	1	
	L320	L41-2281-15	SMALL FIXED INDUCTOR(220NH)	220NH	1	
	L321	L92-0172-05	CHIP FERRITE	470	1	
	L322	L92-0172-05	CHIP FERRITE	470	1	
	L323	L92-0172-05	CHIP FERRITE	470	1	
	L324	L92-0172-05	CHIP FERRITE	470	1	
	L325	L92-0172-05	CHIP FERRITE	470	1	
	L326	L92-0172-05	CHIP FERRITE	470	1	
	L327	L92-0172-05	CHIP FERRITE	470	1	
	L328	L92-0172-05	CHIP FERRITE	470	1	
	L329	L92-0172-05	CHIP FERRITE	470	1	
	L330	L92-0172-05	CHIP FERRITE	470	1	
	L331	L92-0172-05	CHIP FERRITE	470	1	
	L332	L92-0172-05	CHIP FERRITE	470	1	
	L333	L92-0172-05	CHIP FERRITE	470	1	
	L334	L92-0172-05	CHIP FERRITE	470	1	
	L335	L92-0172-05	CHIP FERRITE	470	1	
	L336	L92-0172-05	CHIP FERRITE	470	1	
	L337	L92-0172-05	CHIP FERRITE	470	1	
	L338	L92-0172-05	CHIP FERRITE	470	1	
	L401	L33-2583-05	CHOKO COIL	10U	1	
	L402	L33-2611-05	CHOKO COIL	5.1UH	1	
	L403	L41-4792-62	SMALL FIXED INDUCTOR	4.7U	1	
	L404	L41-1001-62	SMALL FIXED INDUCTOR	10U	1	
	L405	L41-1001-62	SMALL FIXED INDUCTOR	10U	1	
	L406	L41-1001-62	SMALL FIXED INDUCTOR	10U	1	
	L501	L92-0180-05	CHIP FERRITE	1K	1	
	L502	L92-0180-05	CHIP FERRITE	1K	1	
	L503	L92-0180-05	CHIP FERRITE	1K	1	
	L504	L92-0668-05	CHIP FERRITE		1	
	L505	L92-0180-05	CHIP FERRITE	1K	1	
	L506	L92-0668-05	CHIP FERRITE		1	
	L601	L41-1001-62	SMALL FIXED INDUCTOR	10U	1	
	L801	L92-0180-05	CHIP FERRITE	1K	1	
	CN101	E41-3185-05	FLAT CABLE CONNECTOR	10PIN	1	
	CN201	E41-3338-05	FLAT CABLE CONNECTOR	10PIN	1	
	CN401	E41-2985-05	FLAT CABLE CONNECTOR	70PIN/FRONT LOCK	1	
	CN501	E41-2812-15	FLAT CABLE CONNECTOR	60PIN	1	
	CN601	E41-2276-05	FLAT CABLE CONNECTOR	AU/9617S-04A-TC	1	
	CN801	E41-3167-05	FLAT CABLE CONNECTOR	14PIN AU FLIP	1	
	CP301	RK74HB1J101J	CHIP-COM	100 J 1/16W	1	
	CP302	RK74HB1J121J	CHIP-COM	120 J 1/16W	1	
	CP303	RK74HB1J121J	CHIP-COM	120 J 1/16W	1	
	CP304	RK74HB1J121J	CHIP-COM	120 J 1/16W	1	
	CP305	RK74HB1J121J	CHIP-COM	120 J 1/16W	1	
	F401	F53-0476-05	FUSE	0.75A	1	
	X201	L77-3846-05	CRYSTAL RESONATOR	12MHZ	1	
	X301	L77-3850-05	CRYSTAL RESONATOR	12MHZ 15PPM 30PPM	1	
DVD UNIT (X37-1300-02) IN DVD MECHA <X37>						
	IC1	MN2DS0016AA	IC		1	
	IC5	-	ROM IC	Replacement can not E29LV32BT7TIP	1	
	IC10	AN41250A-VB	ANALOGUE IC		1	
	IC54	M12L1281687L	DRAM IC		1	
	IC59	XC9223B082A1	MOS-IC		1	
	IC61	AK4387ET	MOS-IC		1	
	Q1	RT1P432U-T111	TRANSISTOR	R2/R1: 10K/4.7K PNP	1	
	Q2	RT1P432U-T111	TRANSISTOR	R2/R1: 10K/4.7K PNP	1	
	Q4	RT1P432U-T111	TRANSISTOR	R2/R1: 10K/4.7K PNP	1	
	Q10	2SC5383-T1(F)	TRANSISTOR		1	
	Q11	2SC5383-T1(F)	TRANSISTOR		1	
	Q12	KTA1532T-PW	TRANSISTOR		1	
	Q13	KTA1532T-PW	TRANSISTOR		1	
	Q14	2SK3019	FET		1	
	Q15	2SK3019	FET		1	
	Q33	2SA1774	TRANSISTOR		1	
	Q34	2SA1774	TRANSISTOR		1	

MODEL	MARK	MODEL	MARK
DNX7190HD	K0	DNX9990HD	K1

Safe	Symbol No.	Parts No.	Parts Name	Description	QTY	Local
	Q35	2SA1774	TRANSISTOR		1	
	Q36	2SA1774	TRANSISTOR		1	
	C5	CK73HB1E103K	CHIP C	25V 0.010UF K	1	
	C6	CK73HB1E103K	CHIP C	25V 0.010UF K	1	
	C7	CK73HB1E103K	CHIP C	25V 0.010UF K	1	
	C11	CK73HB1A104K	CHIP C	10V 0.10UF K	1	
	C15	CK73FB0J106K	CHIP C	6.3V 10UF K	1	
	C16	CK73GB0J475K	CHIP C	6.3V 4.7UF K	1	
	C17	CK73HB1A104K	CHIP C	10V 0.10UF K	1	
	C72	CK73HB1A104K	CHIP C	10V 0.10UF K	1	
	C100	CK73HB1A104K	CHIP C	10V 0.10UF K	1	
	C102	CK73HB1A104K	CHIP C	10V 0.10UF K	1	
	C106	CK73HB1A104K	CHIP C	10V 0.10UF K	1	
	C109	CK73HB1A104K	CHIP C	10V 0.10UF K	1	
	C111	CK73HB1C333K	CHIP C	16V 0.033UF K	1	
	C113	CK73HB1A104K	CHIP C	10V 0.10UF K	1	
	C114	CK73GB1H562K	CHIP C	50V 5600PF K	1	
	C115	CK73HB1C183K	CHIP C	16V 0.018UF K	1	
	C117	CK73HB1A104K	CHIP C	10V 0.10UF K	1	
	C118	CK73HB0J105K	CHIP C	6.3V 1.0UF K	1	
	C120	CK73HB1A104K	CHIP C	10V 0.10UF K	1	
	C121	CK73HB1A104K	CHIP C	10V 0.10UF K	1	
	C122	CK73GB0J475K	CHIP C	6.3V 4.7UF K	1	
	C126	CK73HB1A104K	CHIP C	10V 0.10UF K	1	
	C127	CK73HB1A104K	CHIP C	10V 0.10UF K	1	
	C128	CK73HB1A104K	CHIP C	10V 0.10UF K	1	
	C129	CK73HB1A104K	CHIP C	10V 0.10UF K	1	
	C130	CC73HCH1H151J	CHIP C	50V 150PF J	1	
	C131	CC73HCH1H151J	CHIP C	50V 150PF J	1	
	C132	CC73HCH1H151J	CHIP C	50V 150PF J	1	
	C133	CC73HCH1H151J	CHIP C	50V 150PF J	1	
	C134	CC73HCH1H102J	CHIP C	50V 1000PF J	1	
	C137	CK73HB0J105K	CHIP C	6.3V 1.0UF K	1	
	C138	CK73HB0J105K	CHIP C	6.3V 1.0UF K	1	
	C143	CC73HCH1H100D	CHIP C	50V 10PF D	1	
	C144	CC73HCH1H100D	CHIP C	50V 10PF D	1	
	C145	CK73HB1A104K	CHIP C	10V 0.10UF K	1	
	C148	CK73HB1A104K	CHIP C	10V 0.10UF K	1	
	C153	CK73HB1A104K	CHIP C	10V 0.10UF K	1	
	C158	CK73HB1A104K	CHIP C	10V 0.10UF K	1	
	C200	CK73FB0J106K	CHIP C	6.3V 10UF K	1	
	C201	CK73FB0J106K	CHIP C	6.3V 10UF K	1	
	C202	CK73FB0J106K	CHIP C	6.3V 10UF K	1	
	C203	CK73FB0J106K	CHIP C	6.3V 10UF K	1	
	C271	CC73HCH1H102J	CHIP C	50V 1000PF J	1	
	C272	CK73HB0J105K	CHIP C	6.3V 1.0UF K	1	
	C302	CK73FB0J226M	CHIP C	22UF M	1	
	C434	CK73FB0J106K	CHIP C	6.3V 10UF K	1	
	C435	CK73HB1E103K	CHIP C	25V 0.010UF K	1	
	C443	CK73FB0J226M	CHIP C	22UF M	1	
	C450	CK73HB1A104K	CHIP C	10V 0.10UF K	1	
	C454	CK73HB1A104K	CHIP C	10V 0.10UF K	1	
	C455	CK73HB1A104K	CHIP C	10V 0.10UF K	1	
	C461	CK73HB1H472K	CHIP C	50V 4700PF K	1	
	C462	CK73HB1E103K	CHIP C	25V 0.010UF K	1	
	C467	CC73HCH1H121J	CHIP C	50V 120PF J	1	
	C468	CK73HB1A104K	CHIP C	10V 0.10UF K	1	
	C469	CK73HB1A104K	CHIP C	10V 0.10UF K	1	
	C476	CC73HCH1H101J	CHIP C	50V 100PF J	1	
	C498	CK73FB0J226M	CHIP C	22UF M	1	
	C510	CC73HCH1H102J	CHIP C	50V 1000PF J	1	
	C511	CK73GB0J475K	CHIP C	6.3V 4.7UF K	1	
	C521	CK73HB1A104K	CHIP C	10V 0.10UF K	1	
	C531	CK73HB1A104K	CHIP C	10V 0.10UF K	1	
	C532	CK73HB1A104K	CHIP C	10V 0.10UF K	1	
	C533	CK73HB1A104K	CHIP C	10V 0.10UF K	1	
	C534	CK73HB1A104K	CHIP C	10V 0.10UF K	1	
	C535	CK73HB1A104K	CHIP C	10V 0.10UF K	1	
	C536	CK73HB1A104K	CHIP C	10V 0.10UF K	1	
	C537	CK73HB1A104K	CHIP C	10V 0.10UF K	1	
	C538	CK73HB1A104K	CHIP C	10V 0.10UF K	1	
	C539	CK73HB1A104K	CHIP C	10V 0.10UF K	1	
	C541	CK73HB1A104K	CHIP C	10V 0.10UF K	1	
	C542	CK73HB1A104K	CHIP C	10V 0.10UF K	1	
	C543	CK73HB1A104K	CHIP C	10V 0.10UF K	1	
	C544	CK73HB1A104K	CHIP C	10V 0.10UF K	1	
	C545	CK73HB1A104K	CHIP C	10V 0.10UF K	1	
	C546	CK73HB1A104K	CHIP C	10V 0.10UF K	1	
	C548	CK73HB1A104K	CHIP C	10V 0.10UF K	1	
	C549	CK73HB1A104K	CHIP C	10V 0.10UF K	1	
	C551	CK73HB1A104K	CHIP C	10V 0.10UF K	1	
	C552	CK73FB0J226M	CHIP C	22UF M	1	
	C553	CK73HB0J105K	CHIP C	6.3V 1.0UF K	1	
	C554	CK73FB0J106K	CHIP C	6.3V 10UF K	1	
	C557	CC73HCH1H680J	CHIP C	50V 68PF J	1	
	C558	CK73HB1A104K	CHIP C	10V 0.10UF K	1	
	C561	CK73HB0J105K	CHIP C	6.3V 1.0UF K	1	
	C562	CK73HB1A104K	CHIP C	10V 0.10UF K	1	
	C564	CK73HB1A104K	CHIP C	10V 0.10UF K	1	
	C565	CK73HB1A104K	CHIP C	10V 0.10UF K	1	
	C566	CK73FB0J106K	CHIP C	6.3V 10UF K	1	
	C567	CK73HB0J105K	CHIP C	6.3V 1.0UF K	1	

MODEL	MARK	MODEL	MARK
DNX7190HD	K0	DNX9990HD	K1

Safe	Symbol No.	Parts No.	Parts Name	Description	QTY	Local
	C805	CC73HCH1H102J	CHIP C	50V 1000PF J	1	
	C809	CC73HCH1H471J	CHIP C	50V 470PF J	1	
	C810	CC73HCH1H471J	CHIP C	50V 470PF J	1	
	C811	CC73HCH1H102J	CHIP C	50V 1000PF J	1	
	C812	CC73HCH1H102J	CHIP C	50V 1000PF J	1	
	C813	CK73HB1H472K	CHIP C	50V 4700PF K	1	
	C814	CK73HB1H472K	CHIP C	50V 4700PF K	1	
	C815	CK73FB0J106K	CHIP C	6.3V 10UF K	1	
	C816	CC73HCH1H102J	CHIP C	50V 1000PF J	1	
	C817	CC73HCH1H102J	CHIP C	50V 1000PF J	1	
	C818	CC73HCH1H102J	CHIP C	50V 1000PF J	1	
	C819	CC73HCH1H102J	CHIP C	50V 1000PF J	1	
	C820	CK73HB1A104K	CHIP C	10V 0.10UF K	1	
	C821	CC73HCH1H102J	CHIP C	50V 1000PF J	1	
	C822	CC73HCH1H102J	CHIP C	50V 1000PF J	1	
	R2	RK73HB1J103J	CHIP R	10K J 1/16W	1	
	R3	RK73HB1J103J	CHIP R	10K J 1/16W	1	
	R4	RK73HB1J103J	CHIP R	10K J 1/16W	1	
	R10	RK73HB1J163J	CHIP R	16K J 1/16W	1	
	R16	RK73HB1J103J	CHIP R	10K J 1/16W	1	
	R17	RK73HB1J271J	CHIP R	270 J 1/16W	1	
	R19	RK73HB1J301J	CHIP R	300 J 1/16W	1	
	R21	RK73HB1J103J	CHIP R	10K J 1/16W	1	
	R22	RK73HB1J103J	CHIP R	10K J 1/16W	1	
	R80	RK73HB1J220J	CHIP R	22 J 1/16W	1	
	R81	RK73HB1J470J	CHIP R	47 J 1/16W	1	
	R84	RK73HB1J202J	CHIP R	2.0K J 1/16W	1	
	R85	RK73HB1J202J	CHIP R	2.0K J 1/16W	1	
	R86	RK73HB1J105J	CHIP R	1.0M J 1/16W	1	
	R87	RK73HB1J102J	CHIP R	1.0K J 1/16W	1	
	R89	RK73HH1J303D	CHIP R	30K D 1/16W	1	
	R90	RK73HB1J223J	CHIP R	22K J 1/16W	1	
	R92	RK73HH1J123D	CHIP R	12K D 1/16W	1	
	R94	RK73HH1J512D	CHIP R	5.1K D 1/16W	1	
	R112	RK73HB1J101J	CHIP R	100 J 1/16W	1	
	R113	RK73HB1J101J	CHIP R	100 J 1/16W	1	
	R116	RK73HB1J103J	CHIP R	10K J 1/16W	1	
	R119	RK73HB1J103J	CHIP R	10K J 1/16W	1	
	R150	RK73HB1J100J	CHIP R	10 J 1/16W	1	
	R151	RK73HB1J100J	CHIP R	10 J 1/16W	1	
	R152	RK73HB1J471J	CHIP R	470 J 1/16W	1	
	R153	RK73HB1J471J	CHIP R	470 J 1/16W	1	
	R154	RK73HB1J751J	CHIP R	750 J 1/16W	1	
	R155	RK73HB1J751J	CHIP R	750 J 1/16W	1	
	R156	RK73HB1J560J	CHIP R	56 J 1/16W	1	
	R157	RK73HB1J560J	CHIP R	56 J 1/16W	1	
	R158	RK73HB1J2R2J	CHIP R	2.2 J 1/16W	1	
	R159	RK73HB1J2R2J	CHIP R	2.2 J 1/16W	1	
	R164	RK73HB1J101J	CHIP R	100 J 1/16W	1	
	R165	RK73HB1J101J	CHIP R	100 J 1/16W	1	
	R200	RK73HH1J201D	CHIP R	200 D 1/16W	1	
	R400	RK73HB1J470J	CHIP R	47 J 1/16W	1	
	R401	RK73HB1J470J	CHIP R	47 J 1/16W	1	
	R409	RK73HB1J470J	CHIP R	47 J 1/16W	1	
	R410	RK73HB1J102J	CHIP R	1.0K J 1/16W	1	
	R411	RK73HB1J102J	CHIP R	1.0K J 1/16W	1	
	R470	RK73HB1J103J	CHIP R	10K J 1/16W	1	
	R475	RK73GB2A2R2J	CHIP R	2.2 J 1/10W	1	
	R476	RK73GB2A4R7J	CHIP R	4.7 J 1/10W	1	
	R478	RK73HB1J472J	CHIP R	4.7K J 1/16W	1	
	R481	RK73HH1J203D	CHIP R	20K D 1/16W	1	
	R485	RK73HB1J102J	CHIP R	1.0K J 1/16W	1	
	R486	RK73HB1J102J	CHIP R	1.0K J 1/16W	1	
	R487	RK73HB1J103J	CHIP R	10K J 1/16W	1	
	R497	RK73HB1J102J	CHIP R	1.0K J 1/16W	1	
	R501	RK73HB1J132J	CHIP R	1.3K J 1/16W	1	
	R502	RK73HB1J333J	CHIP R	33K J 1/16W	1	
	R503	RK73HB1J203J	CHIP R	20K J 1/16W	1	
	R504	RK73HB1J242J	CHIP R	2.4K J 1/16W	1	
	R505	RK73HB1J821J	CHIP R	820 J 1/16W	1	
	R511	RK73HB1J103J	CHIP R	10K J 1/16W	1	
	R512	RK73HB1J103J	CHIP R	10K J 1/16W	1	
	R523	RK73HB1J4R7J	CHIP R	4.7 J 1/16W	1	
	R524	RK73HB1J4R7J	CHIP R	4.7 J 1/16W	1	
	R588	RK73GB2A4R7J	CHIP R	4.7 J 1/10W	1	
	R591	RK73HB1J820J	CHIP R	82 J 1/16W	1	
	R615	RK73HB1J1R0J	CHIP R	1.0 J 1/16W	1	
	R621	RK73HB1J103J	CHIP R	10K J 1/16W	1	
	R622	RK73HB1J333J	CHIP R	33K J 1/16W	1	
	R630	R92-5573-05	CHIP R	0.27 J 1/2W	1	
	R631	RK73HB1J103J	CHIP R	10K J 1/16W	1	
	R632	RK73HB1J103J	CHIP R	10K J 1/16W	1	
	R633	RK73HB1J103J	CHIP R	10K J 1/16W	1	
	R634	RK73HB1J103J	CHIP R	10K J 1/16W	1	
	R651	RK73HB1J102J	CHIP R	1.0K J 1/16W	1	
	R653	RK73HB1J102J	CHIP R	1.0K J 1/16W	1	
	R654	RK73HB1J330J	CHIP R	33 J 1/16W	1	
	R655	RK73HB1J330J	CHIP R	33 J 1/16W	1	
	R656	RK73HB1J330J	CHIP R	33 J 1/16W	1	
	R659	RK73HB1J103J	CHIP R	10K J 1/16W	1	
	R663	RK73HB1J101J	CHIP R	100 J 1/16W	1	
	R664	RK73HB1J101J	CHIP R	100 J 1/16W	1	

MODEL	MARK	MODEL	MARK
DNX7190HD	K0	DNX9990HD	K1

Safe	Symbol No.	Parts No.	Parts Name	Description	QTY	Local
	R665	RK73HB1J103J	CHIP R	10K J 1/16W	1	
	R672	RK73HB1J101J	CHIP R	100 J 1/16W	1	
	R673	RK73HB1J103J	CHIP R	10K J 1/16W	1	
	R674	RK73HB1J101J	CHIP R	100 J 1/16W	1	
	R676	RK73HB1J103J	CHIP R	10K J 1/16W	1	
	R677	RK73HB1J103J	CHIP R	10K J 1/16W	1	
	R678	RK73HB1J101J	CHIP R	100 J 1/16W	1	
	R688	RK73HH1J124D	CHIP R	120K D 1/16W	1	
	R689	RK73HH1J274D	CHIP R	270K D 1/16W	1	
	R694	RK73HB1J103J	CHIP R	10K J 1/16W	1	
	R695	RK73HB1J103J	CHIP R	10K J 1/16W	1	
	R696	RK73HB1J103J	CHIP R	10K J 1/16W	1	
	R697	RK73HB1J153J	CHIP R	15K J 1/16W	1	
	R698	RK73HB1J682J	CHIP R	6.8K J 1/16W	1	
	R701	RK73HH1J202D	CHIP R	2.0K D 1/16W	1	
	R703	RK73HB1J821J	CHIP R	820 J 1/16W	1	
	R704	RK73HB1J821J	CHIP R	820 J 1/16W	1	
	R705	RK73HB1J821J	CHIP R	820 J 1/16W	1	
	R706	RK73HB1J821J	CHIP R	820 J 1/16W	1	
	R707	RK73HB1J103J	CHIP R	10K J 1/16W	1	
	R712	RK73HB1J103J	CHIP R	10K J 1/16W	1	
	R713	RK73HB1J822J	CHIP R	8.2K J 1/16W	1	
	R715	RK73GB2A000J	CHIP R	0.0 J 1/10W	1	
	R716	RK73HB1J000J	CHIP R	0.0 J 1/16W	1	
	R717	RK73HB1J000J	CHIP R	0.0 J 1/16W	1	
	R718	RK73HB1J000J	CHIP R	0.0 J 1/16W	1	
	R803	RK73HH1J121D	CHIP R	120 D 1/16W	1	
	R804	RK73HH1J121D	CHIP R	120 D 1/16W	1	
	R805	RK73HH1J121D	CHIP R	120 D 1/16W	1	
	R807	RK73HB1J123J	CHIP R	12K J 1/16W	1	
	R808	RK73HB1J123J	CHIP R	12K J 1/16W	1	
	R809	RK73HB1J682J	CHIP R	6.8K J 1/16W	1	
	R810	RK73HB1J682J	CHIP R	6.8K J 1/16W	1	
	R811	RK73HB1J122J	CHIP R	1.2K J 1/16W	1	
	R812	RK73HB1J122J	CHIP R	1.2K J 1/16W	1	
	R813	RK73HB1J103J	CHIP R	10K J 1/16W	1	
	R815	RK73HB1J221JH	CHIP R	220 J 1/16W	1	
	R816	RK73HB1J221JH	CHIP R	220 J 1/16W	1	
	R817	RK73HB1J471JH	CHIP R	470 J 1/16W	1	
	R818	RK73HB1J471JH	CHIP R	470 J 1/16W	1	
	R819	RK73HB1J101J	CHIP R	100 J 1/16W	1	
	R820	RK73HB1J101J	CHIP R	100 J 1/16W	1	
	R821	RK73HB1J101J	CHIP R	100 J 1/16W	1	
	R823	RK73HB1J4R7J	CHIP R	4.7 J 1/16W	1	
	R824	RK73HB1J4R7J	CHIP R	4.7 J 1/16W	1	
	L15	L33-2280-05	SMALL FIXED INDUCTOR	2.2UH 1.9A	1	
	CN1	E41-2594-05	FLAT CABLE CONNECTOR	0.5/30P/DOWN/AU	1	
	CN3	E41-2596-05	FLAT CABLE CONNECTOR	0.5/28P/DOWN/AU	1	
	CN6	E41-2603-05	FLAT CABLE CONNECTOR	0.5/50P/DOWN/SN	1	
	CP61	RK74HB1J103J	CHIP-COM	10K J 1/16W	1	
	CP68	RK74HB1J470J	CHIP-COM	47 J 1/16W	1	
	S1	S68-0911-15	PUSH SWITCH		1	
	S2	S68-0917-05	PUSH SWITCH		1	
	X2	L77-3830-05	CRYSTAL RESONATOR	27MHZ	1	