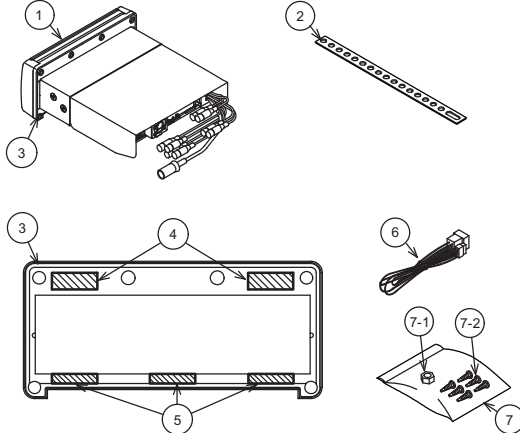


COMPONENTS

PE-2686B-A

1.	Main unit	-----	1
2.	Strap	300-4976-00	1
3.	Rubber seal	345-5546-00	1
4.	Double face(10x29)	347-7697-00	2
5.	Double face(5x29)	347-7703-00	3
6.	Extension lead	854-6440-50	1
	(15A Fuse	120-0150-00	1)
	(1A Fuse	120-0010-00	1)
7.	Parts bag	-----	1
7-1	Hex nut	723-5000-21	1
7-2	Tapping screw(M4x30)	778-4030-00	6



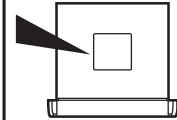
Sold separately

Wired Remote Control Unit: CMRC1, CMRC2.

CAUTIONS

Use of controls, adjustment or performance of procedures other than those specified herein, may result in hazardous radiation exposure.

The COMPACT DISC player should not be adjusted or repaired by anyone except properly qualified service personnel.

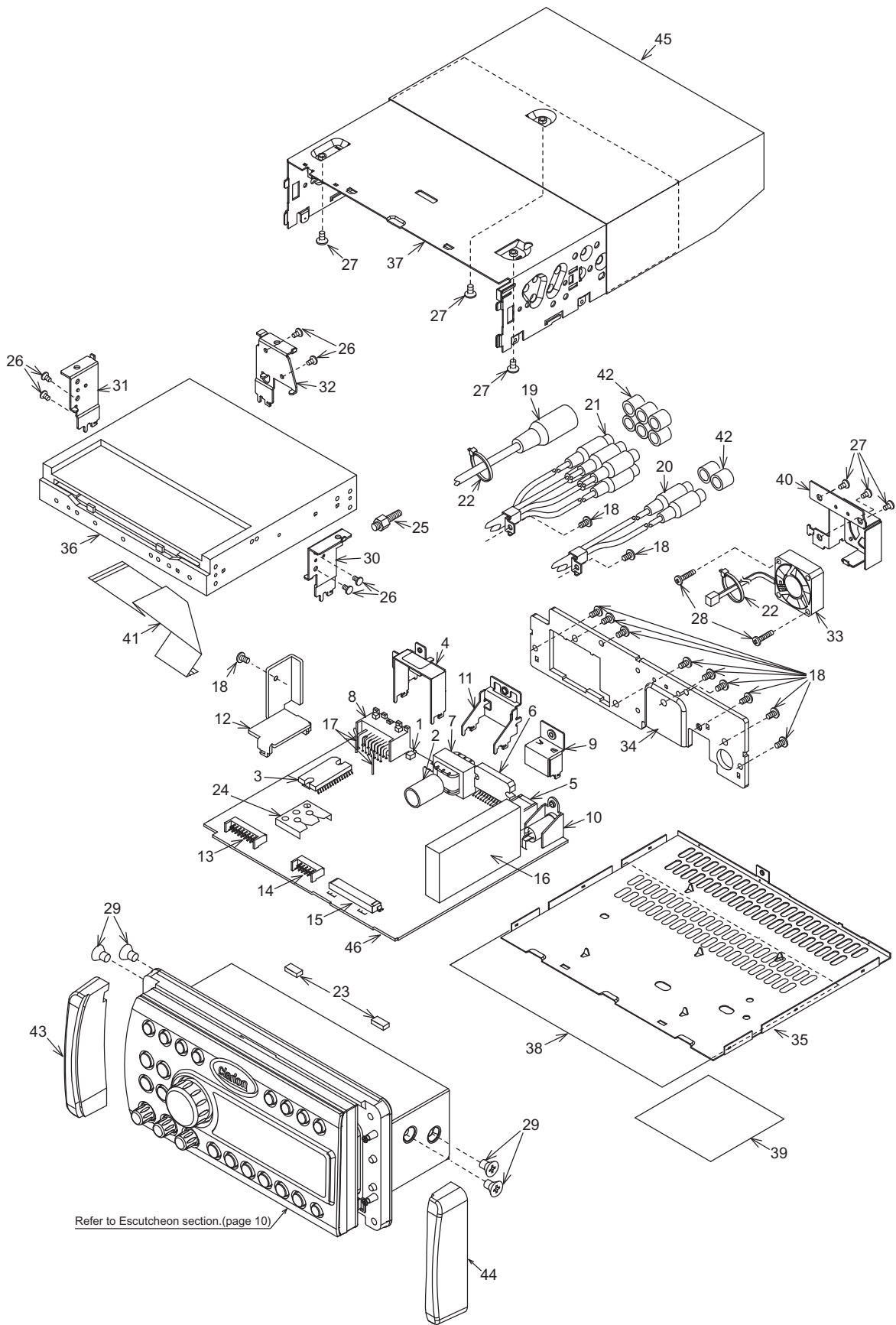


Bottom view of the unit

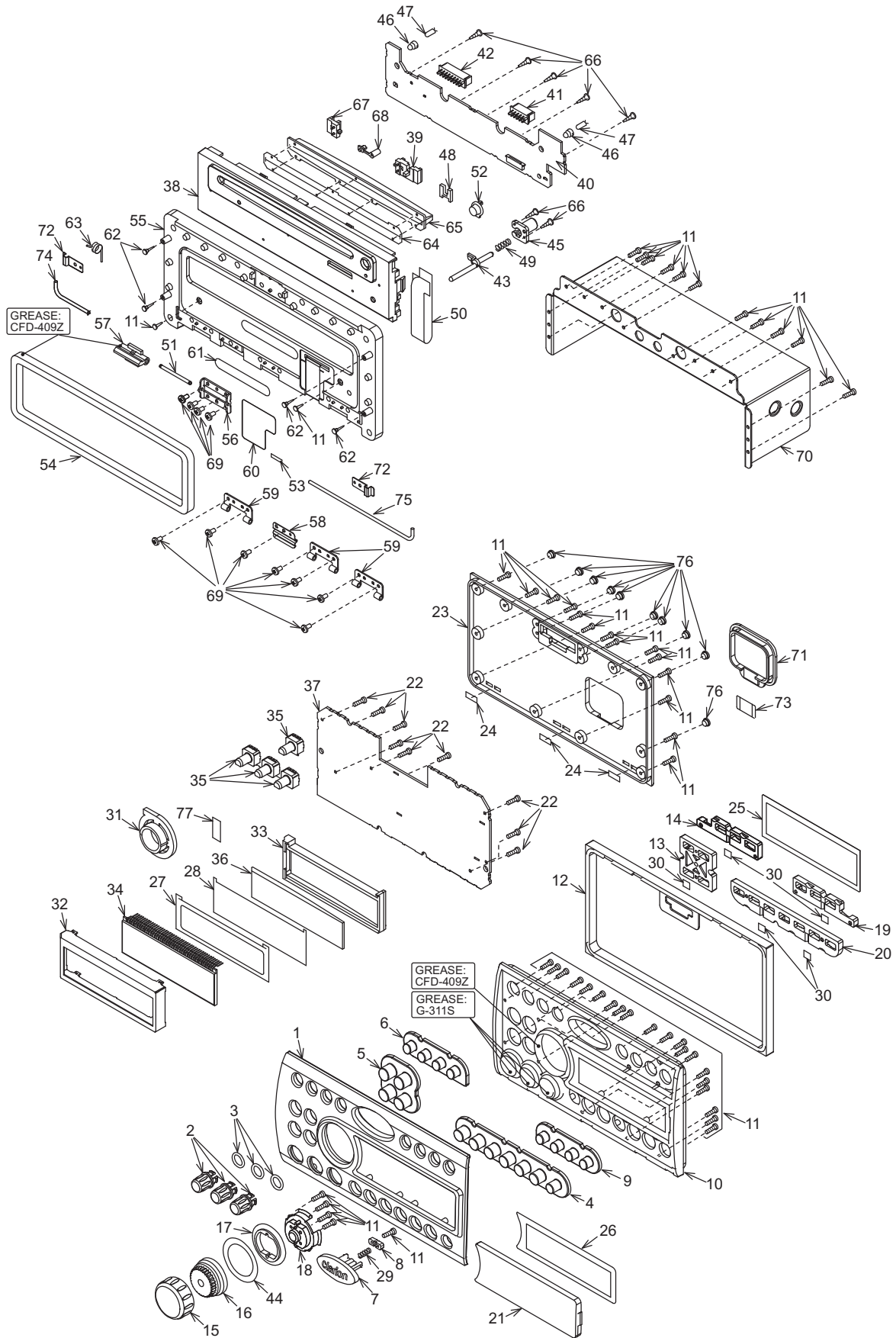
EXPLODED VIEW / PARS LIST

Main section

NO.	PART NO.	DESCRIPTION	Q'TY	NO.	PART NO.	DESCRIPTION	Q'TY
1	076-0526-02	PLUG	1	24	347-7700-00	FILM	1
2	042-1447-00	ALUMI-ELE-C	1	25	716-1567-00	REAR BOLT	1
3	051-3297-10	IC	1	26	714-2603-81	MACHINE SCREW(M2.6x3)	6
4	331-3561-02	CONNECTOR-HOLD	1	27	714-3004-80	MACHINE SCREW(M3x4)	6
5	074-1194-00	OUTLET SOCKET	1	28	780-2612-00	SCREW(M2.6x12)	2
6	051-2057-00	IC	1	29	714-5008-41	MACHINE SCREW(M5x8)	4
7	009-9006-70	CHOKE	1	30	331-3569-00	MECH-SUB-BRACKET(R)	1
8	074-1214-00	OUTLET SOCKET	1	31	331-3570-00	MECH-SUB-BRACKET	1
9	331-3567-00	CONNECTOR HOLD	1	32	331-3427-00	MECH BRACKET(REAR)	1
10	092-4000-51	ANT-RECEPT	1	33	020-3045-11	DC MOTOR(FAN)	1
11	331-3985-00	IC-HOLDER	1	34	313-1932-00	HEAT SINK	1
12	313-1867-00	HEAT SINK	1	35	311-1859-02	LOWER CASE	1
13	076-0515-16	PLUG	1	36	929-0290-80	CD MECH MODULE	1
14	076-0515-10	PLUG	1	37	310-1778-04	UPPER CASE	1
15	074-1237-76	OUTLET SOCKET	1	38	347-6880-00	INSULATOR	1
16	880-2090B	TUNER PACK	1	39	286-6598-00	SETPLATE	1
17	321-0969-00	CLAMP	2	40	331-3984-00	FAN-HOLDER	1
18	714-3006-81	MACHINE SCREW(M3x6)	12	41	816-2627-50	FALT WIRE	1
19	855-1471-50	DIN CORD	1	42	345-3799-20	RUBBER CAP	8
20	855-5521-50	RCA PIN CORD(NON-FAD)	1	43	335-7472-00	ES-COVER(L)	1
21	855-5478-50	RCA-PIN-CORD	1	44	335-7473-00	ES-COVER(R)	1
22	335-0833-07	CABLE TIE	2	45	345-5826-00	SET-COVER	1
23	345-5570-00	CUSHION RUBBER	2	46	-----	MAIN PWB	1

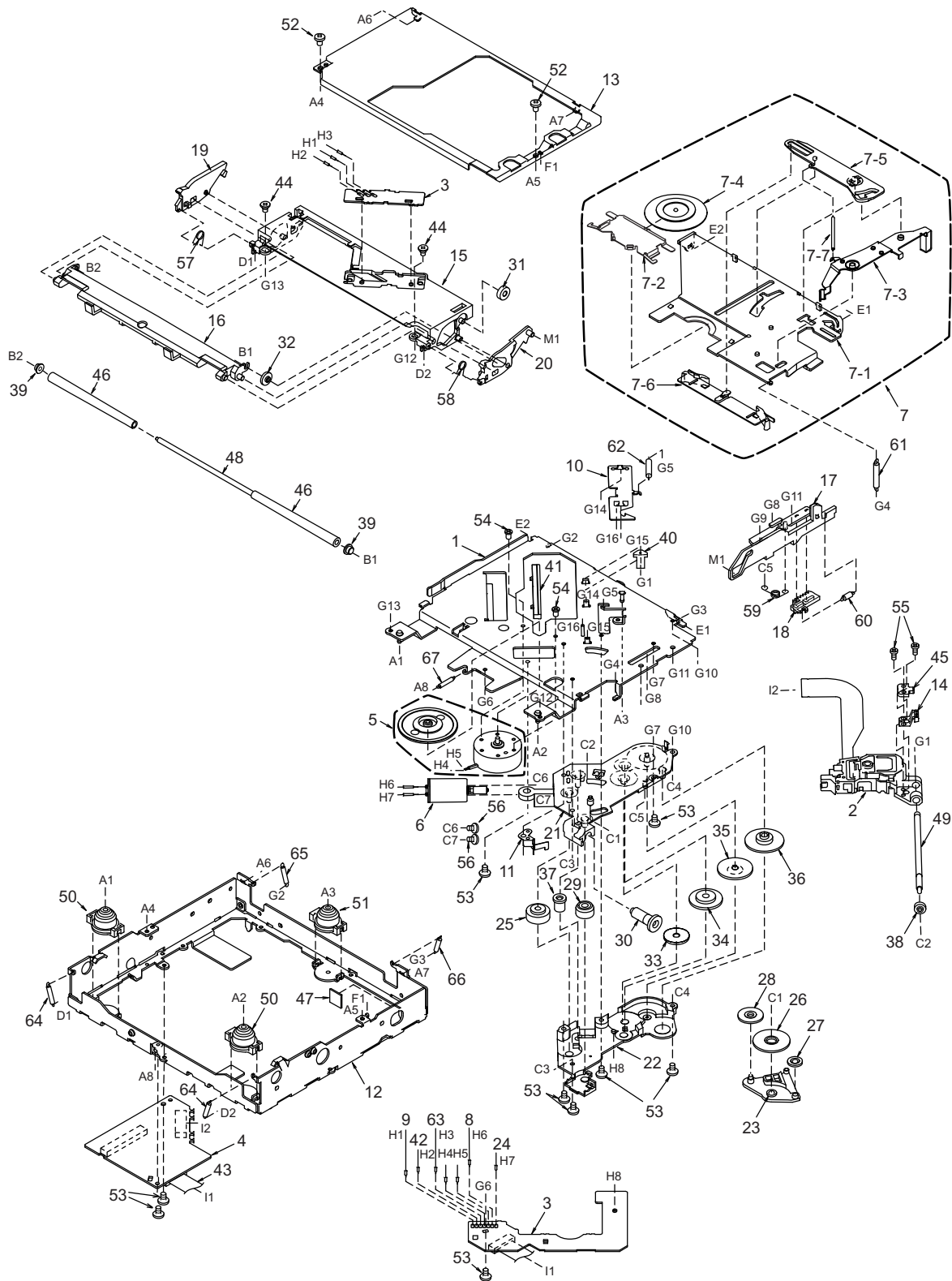


Escutcheon section



NO.	PART NO.	DESCRIPTION	Q'TY	NO.	PART NO.	DESCRIPTION	Q'TY
1	371-5814-00	FACE PANEL	1	40	-----	IN-ES PWB	1
2	380-5626-00	INNER KNOB(B/T/F)	3	41	074-1106-10	OUTLET SOCKET	1
3	345-5540-00	O-RING	3	42	074-1106-16	OUTLET SOCKET	1
4	382-7351-00	RUBBER KEY	1	43	335-7476-00	ROD	1
5	382-7352-00	RUBBER KEY	1	44	347-7704-00	RING FILM	1
6	382-7353-00	BUTTON	1	45	335-7371-00	HOOK SLEEVE	1
7	378-0548-00	BADGE	1	46	345-5231-00	LAMP CAP	2
8	335-7462-00	STOPPER	1	47	017-0444-00	PILOTLAMP	2
9	382-7354-00	RUBBER KEY	1	48	345-5567-00	CUSHION	1
10	370-6160-01	ESCUTCHEON	1	49	750-6800-00	SPRING	1
11	716-3549-00	PAD SCREW(M1.7x6)	53	50	039-2625-00	FPC	1
12	345-5816-00	RUBBER PACKING	1	51	341-1816-00	SHAFT-S	1
13	335-7465-00	ILLUMI PLATE	1	52	382-7355-00	BUTTON(EJECT)	1
14	335-7464-00	ILLUMI PLATE	1	53	347-6695-00	DOUBLE FACE	1
15	345-5813-00	RUBBER CAP	1	54	345-5819-00	RUBBER SEAL	1
16	380-5625-00	OUTER-KNOB	1	55	370-6161-00	ESCUTCHEON(I)	1
17	345-5814-00	KNOB RING	1	56	331-3982-00	HOOK PLATE	1
18	380-5624-00	INNER-KNOB	1	57	335-7471-00	HOOK	1
19	335-7463-00	ILLUMI PLATE	1	58	750-6792-00	SPRING	1
20	335-7466-00	ILLUMI PLATE	1	59	331-3981-00	ES-HOLDER	3
21	373-1059-00	DIAL-COVER	1	60	347-7605-00	FPC-COVER	1
22	716-1764-00	PAD SCREW(M1.7x5)	9	61	291-0113-00	STICKER	1
23	335-7469-00	REAR-COVER	1	62	716-3557-00	SCREW(M1.7x6)	4
24	347-7607-00	CVR-FILM	3	63	750-6801-00	SPRING	1
25	345-5827-00	SPACER CUSHION	1	64	346-0118-00	LEATHER SHEET	1
26	347-7606-00	DOUBLE FACE	1	65	371-3827-00	TRIM PLATE	1
27	347-7609-00	BLACK FILM	1	66	716-0872-11	SCREW(M1.7x6)	7
28	347-7608-00	LCD FILM	1	67	335-7474-00	ILLUMI PLATE	1
29	750-6802-00	SPRING	1	68	382-7366-00	BUTTON(OPEN)	1
30	347-7614-00	SHADE FILM	5	69	780-2004-03	SCREW(M2x4)	11
31	335-7468-00	ILLUMI PLATE	1	70	331-3983-00	ES-BRACKET	1
32	331-3980-00	LCD-COVER	1	71	345-5817-00	RUBBER COVER	1
33	335-7467-00	LCD-HOLDER	1	72	331-4046-00	SHAFT-HOLDER	2
34	379-1329-40	LCD(INDICATOR)	1	73	347-7604-00	CVR-FILM	1
35	016-9900-84	VR W/SHAFT	4	74	341-1819-00	SHAFT	1
36	335-7478-00	LCD ILLUMI	1	75	341-1815-00	SHAFT-L	1
37	-----	SW PWB	1	76	345-5818-00	CAP	10
38	370-6162-00	INNER-ES	1	77	347-7775-00	FILM	1
39	335-7475-00	ILLUMI PLATE	1				

CD mechanism section



NO.	PART NO.	DESCRIPTION	Q'TY	NO.	PART NO.	DESCRIPTION	Q'TY
1	966-0595-26	DRIVE PLATE ASSY	1	31	621-0720-20	ROLLER GEAR C	1
2	969-0065-31	PICK UP UNIT	1	32	621-0721-20	ROLLER GEAR D	1
3	-----	LED PWB	1	33	621-0616-20	POWER GEAR A	1
4	-----	CD PWB	1	34	621-0617-20	POWER GEAR B	1
5	SMA-182-100	MOTOR ASSY (SPINDLE)	1	35	621-0618-20	POWER GEAR C	1
6	SMA-183-100	MOTOR ASSY (SLED)	1	36	621-0619-20	POWER GEAR D	1
7	HBS-524-100	CLAMPER SUB ASSY	1	37	621-0620-20	THREAD GEAR A	1
7-1	620-1022-26	CLAMPER LINK	1	38	621-0621-20	THREAD GEAR B	1
7-2	620-1023-23	CLAMPER PLATE	1	39	621-1726-20	ROLLER SLEEVE	2
7-3	620-1024-23	SENSOR ARM	1	40	621-0623-23	LS-HOLDER	1
7-4	621-0708-20	CLAMPER RING	1	41	621-0624-22	GUIDE RAIL	1
7-5	621-0626-21	STOPPER LINK	1	42	816-2593-00	LEAD WIRE (PUR)	1
7-6	621-0627-21	DISC STOPPER	1	43	816-2542-01	FLAT WIRE (10P)	1
7-7	750-3471-20	SENSOR SPRING	1	44	716-3473-00	IT SCREW (M2x3)	2
8	803-4906-60	VINYL COAT WIRE (ORG)	1	45	621-0709-20	SH-BASE	1
9	816-2591-00	LEAD WIRE (YEL)	1	46	621-0629-20	LOADING ROLLER	2
10	620-1025-22	ID-LOCK PLATE	1	47	345-8704-20	CUSHION RUBBER	1
11	620-1026-21	SPRING PLATE	1	48	622-1571-21	ROLLER SHAFT	1
12	620-1027-27	LOWER CHASSIS	1	49	624-0018-01	LEAD SCREW	1
13	620-1028-24	UPPER CHASSIS	1	50	629-0081-21	DAMPER F	2
14	966-1722-20	SH-RACK ASSY	1	51	629-0082-21	DAMPER R	1
15	621-0598-27	UPPER GUIDE	1	52	714-2003-81	MACHINE SCREW (M2x3)	2
16	621-0599-26	ROLLER GUIDE	1	53	716-1507-00	SCREW (M2x3)	9
17	621-0600-26	SHIFT LEVER	1	54	716-1733-00	SCREW (M1.7x2.3)	2
18	621-1716-20	RACK	1	55	716-3469-00	SCREW (3x4)	2
19	621-0602-22	LOCK ARM L	1	56	716-3446-00	SCREW (M1.4x2.5)	2
20	621-0603-25	LOCK ARM R	1	57	750-3465-21	ROLLER SPRING L	1
21	621-0724-21	GEAR BASE	1	58	750-3466-20	ROLLER SPRING R	1
22	621-0605-22	GEAR COVER	1	59	750-3467-21	SHIFT SPRING	1
23	621-1719-20	IDLE CASE	1	60	750-3468-20	RACK SPRING	1
24	816-2590-00	VINYL COAT WIRE (GRN)	1	61	750-3469-20	CLAMPER SPRING	1
25	621-0608-21	SECOND GEAR	1	62	750-3470-20	ID-LOCK SPRING	1
26	621-0609-20	BASE GEAR	1	63	816-2592-00	LEAD WIRE (BLU)	1
27	621-0610-20	IDLE GEAR A	1	64	750-3472-21	DR-SPRING F	2
28	621-0611-20	IDLE GEAR B	1	65	750-3473-20	DR-SPRING RA	1
29	621-0612-21	ROLLER GEAR A	1	66	750-3474-20	DR-SPRING RB	1
30	621-0719-20	ROLLER GEAR B	1	67	750-3475-21	DR-SPRING C	1

ELECTRICAL PARTS LIST

Main PWB section(B1)

REF No.	PART No.	DESCRIPTION	REF No.	PART No.	DESCRIPTION	REF No.	PART No.	DESCRIPTION
ANT1	092-4000-51	ANT-RECEPT	C500	187-1053-67	50V1uF	Q5	125-3004-90	KTA1504S
BL1	880-2090B	TUNER PACK	C501	187-1053-67	50V1uF	Q50	192-2712-51	2SC2712 G,L
C1	166-2096-50	2pF CK	C502	187-1053-67	50V1uF	Q51	192-2712-51	2SC2712 G,L
C2	166-2201-50	22pF CH	C503	187-1053-67	50V1uF	Q210	125-0200-96	KRA226S
C3	166-2201-50	22pF CH	C504	187-1063-37	16V10uF	Q211	125-2199-96	KRC106S
C4	168-1022-55	1000pF K	C505	187-1063-37	16V10uF	Q227	193-1802-61	2SD1802FA R,S,T
C5	168-2232-55	0.022uF K	C506	187-1063-37	16V10uF	Q228	125-4011-90	KTD863
C6	168-2232-55	0.022uF K	C507	187-1063-37	16V10uF	Q452	193-1306-00	2SD1306
C9	168-1032-55	0.01uF K	C512	187-4763-17	6.3V47uF	Q453	193-1306-00	2SD1306
C10	168-2232-55	0.022uF K	C514	187-1063-37	16V10uF	Q454	193-1306-00	2SD1306
C11	187-1053-67	50V1uF	C515	187-4763-37	16V47uF	Q455	193-1306-00	2SD1306
C12	168-1532-55	0.015uF K	C516	168-1042-78	16V 0.1uF	Q456	193-1306-00	2SD1306
C13	168-2732-55	16V 0.027uF K	C517	168-4722-55	4700pF K	Q457	193-1306-00	2SD1306
C14	168-2732-55	16V 0.027uF K	C518	168-4722-55	4700pF K	Q501	125-2199-96	KRC106S
C17	187-4763-35	16V47uF	C519	187-1053-67	50V1uF	Q502	125-0199-96	KRA106S
C18	168-2232-55	0.022uF K	C520	187-1053-67	50V1uF	Q503	125-4010-90	KTC3875S
C19	168-1022-55	1000pF K	C521	187-1053-67	50V1uF	Q505	191-1237-00	2SB1237
C20	168-6822-55	6800pF K	C522	187-1053-67	50V1uF	Q506	125-2199-96	KRC106S
C21	187-1073-35	16V 100uF	C539	168-1022-55	1000pF K	Q507	125-2199-93	KRC103S
C22	187-4763-35	16V47uF	C543	166-1011-50	100pF CH	Q508	125-0199-96	KRA106S
C27	187-4763-17	6.3V47uF	C544	166-1011-50	100pF CH	Q602	125-2199-93	KRC103S
C50	168-1032-55	0.01uF K	C545	166-1011-50	100pF CH	Q604	125-3004-90	KTA1504S
C51	187-3353-65	50V3.3uF	C546	166-1011-50	100pF CH	Q606	125-2199-93	KRC103S
C52	166-1801-50	18pF CH	C601	042-0650-00	5.5V 0.1F	Q607	125-3007-90	KTA1298
C53	166-1501-50	15pF CH	C612	168-4732-78	0.047uF K	Q609	125-3007-90	KTA1298
C54	166-1011-50	100pF CH	C614	168-1032-55	0.01uF K	Q610	125-2199-93	KRC103S
C55	166-1011-50	100pF CH	C615	042-1577-00	6.3V 100uF	Q613	193-1858-00	2SD1858
C56	166-1011-50	100pF CH	C616	187-1063-35	16V 10uF	Q620	125-2199-93	KRC103S
C57	166-3311-50	330pF CH	C618	187-1073-15	6.3V100uF	R3	119-1021-15	1/10W 1k ohm
C58	168-1022-55	1000pF K	C619	168-1032-55	0.01uF K	R4	119-1021-15	1/10W 1k ohm
C59	166-2201-50	22pF CH	C620	187-1063-35	16V 10uF	R7	119-1231-15	1/10W 12k ohm
C102	178-2242-78	0.22uF	D110	001-0347-41	MA4075M	R9	119-1031-15	1/10W 10k ohm
C103	178-2242-78	0.22uF	D201	001-0466-90	S5688B	R14	119-1031-15	1/10W 10k ohm
C104	178-2242-78	0.22uF	D202	001-1310-00	KDS160-RTK	R15	119-1031-15	1/10W 10k ohm
C105	178-2242-78	0.22uF	D203	001-0592-61	1N5404	R17	119-5631-15	1/10W 56k ohm
C106	187-1063-37	16V10uF	D221	001-1310-00	KDS160-RTK	R18	119-1521-15	1/10W 1.5k ohm
C107	187-1053-67	50V1uF	D225	001-0466-91	S5688G	R19	119-1521-15	1/10W 1.5k ohm
C108	172-1041-15	0.1uF	D501	001-1310-00	KDS160-RTK	R22	119-1041-15	1/10W 100k ohm
C109	187-1053-67	50V1uF	D502	001-1310-00	KDS160-RTK	R23	119-1031-15	1/10W 10k ohm
C118	166-2211-50	220pF CH	D503	001-0347-32	MA4056M	R24	119-2221-15	1/10W 2.2k ohm
C119	166-2211-50	220pF CH	D601	001-1310-00	KDS160-RTK	R25	119-2221-15	1/10W 2.2k ohm
C128	166-2211-50	220pF CH	D602	001-0347-23	MA4043M	R26	119-2221-15	1/10W 2.2k ohm
C129	166-2211-50	220pF CH	IC2	051-6212-08	LC72191JM-TLM	R29	119-1031-15	1/10W 10k ohm
C210	187-2263-37	16V 22uF	IC101	051-2057-00	TB2906HQ	R31	119-4741-15	1/10W 470k ohm
C214	042-1447-00	16V 2200uF	IC102	051-3297-10	BA4916-V2	R32	119-8201-15	1/10W 82 ohm
C222	187-4763-35	16V47uF	IC301	051-3049-90	HA17558AFEL	R51	119-2221-15	1/10W 2.2k ohm
C223	172-2231-15	0.022uF	IC501	051-5028-90	TDA7409DTR	R52	119-1021-15	1/10W 1k ohm
C224	187-2263-37	16V 22uF	IC502	051-3049-90	HA17558AFEL	R60	119-1021-15	1/10W 1k ohm
C225	187-1073-37	16V100uF	IC505	051-5437-08	S-80821ANMP-EDJ-E2	R101	119-1231-15	1/10W 12k ohm
C227	187-1063-37	16V10uF	IC601	052-3397-00	M30622MEP-196GP	R102	119-4731-15	1/10W 47k ohm
C228	187-4763-37	16V47uF	IC602	051-6600-58	HA12187FP	R105	119-1021-15	1/10W 1k ohm
C229	187-1063-37	16V10uF	IC603	051-7400-08	HD74LS07FP	R106	119-3311-15	1/10W 330 ohm
C230	173-1021-18	1000pF J	J601	074-1194-00	13P CE-NET	R107	119-3311-15	1/10W 330 ohm
C243	187-1073-27	10V100uF	J602	074-1237-76	26P	R108	119-3311-15	1/10W 330 ohm
C244	187-2273-17	6.3V220uF	J903	074-1214-00	16P	R109	119-3311-15	1/10W 330 ohm
C245	187-1073-17	6.3V100uF	L1	010-2003-04	30uH	R204	119-3321-15	1/10W 3.3k ohm
C246	168-1032-55	0.01uF K	L2	010-6026-50	220uH	R205	119-1831-15	1/10W 18k ohm
C247	166-1011-50	100pF CH	L3	010-2285-56	2.25k ohm/100MHz	R207	119-1231-15	1/10W 12k ohm
C301	187-1063-37	16V10uF	L4	010-2285-56	2.25k ohm/100MHz	R208	119-1011-15	1/10W 100 ohm
C302	187-1063-37	16V10uF	L601	010-3100-66	2.2uH	R209	119-3311-15	1/10W 330 ohm
C303	187-1063-37	16V10uF	L602	010-3100-66	2.2uH	R210	119-1031-15	1/10W 10k ohm
C304	187-1063-37	16V10uF	L603	010-3100-66	2.2uH	R211	119-2741-15	1/10W 270k ohm
C305	168-4732-78	0.047uF K	L605	010-3100-66	2.2uH	R252	116-1521-15	1/4W 1.5k ohm
C320	168-4732-78	0.047uF K	L606	010-3100-66	2.2uH	R301	119-1041-15	1/10W 100k ohm
C458	187-2263-37	16V 22uF	L607	010-3100-66	2.2uH	R302	119-1041-15	1/10W 100k ohm
C459	187-2263-37	16V 22uF	P601	076-0515-10	10P	R303	032-0140-64	1/10W 43k ohm F
C460	187-2263-37	16V 22uF	P602	076-0515-16	16P	R304	032-0140-64	1/10W 43k ohm F
C461	187-2263-37	16V 22uF	P603	076-0526-02	PLUG	R305	032-0140-64	1/10W 43k ohm F
C462	187-2263-37	16V 22uF	Q3	125-2199-93	KRC103S	R306	032-0140-64	1/10W 43k ohm F
C463	187-2263-37	16V 22uF	Q4	125-3004-90	KTA1504S	R307	119-1021-15	1/10W 1k ohm
C464	168-1022-55	1000pF K				R308	032-0140-52	1/10W 33k ohm F

REF No.	PART No.	DESCRIPTION	REF No.	PART No.	DESCRIPTION	REF No.	PART No.	DESCRIPTION
R309	032-0140-52	1/10W 33k ohm F	R540	119-2231-15	1/10W 22k ohm	R653	119-1811-15	1/10W 180 ohm
R310	032-0140-52	1/10W 33k ohm F	R541	119-1021-15	1/10W 1k ohm	R654	119-1811-15	1/10W 180 ohm
R311	032-0140-52	1/10W 33k ohm F	R542	119-0000-05	1/10W 0 ohm JW	R656	119-1031-15	1/10W 10k ohm
R320	119-1021-15	1/10W 1k ohm	R543	119-0000-05	1/10W 0 ohm JW	R657	119-1811-15	1/10W 180 ohm
R470	119-4721-15	1/10W 4.7k ohm	R551	119-4721-15	1/10W 4.7k ohm	R658	119-1041-15	1/10W 100k ohm
R471	119-4721-15	1/10W 4.7k ohm	R552	119-0000-05	1/10W 0 ohm JW	R664	119-1031-15	1/10W 10k ohm
R472	119-4721-15	1/10W 4.7k ohm	R553	119-4721-15	1/10W 4.7k ohm	R665	119-1031-15	1/10W 10k ohm
R473	119-4721-15	1/10W 4.7k ohm	R554	119-1011-15	1/10W 100 ohm	R666	119-1031-15	1/10W 10k ohm
R474	119-4721-15	1/10W 4.7k ohm	R555	119-1011-15	1/10W 100 ohm	R667	119-1031-15	1/10W 10k ohm
R475	119-4721-15	1/10W 4.7k ohm	R556	119-1011-15	1/10W 100 ohm	R668	119-1031-15	1/10W 10k ohm
R476	119-3311-15	1/10W 330 ohm	R557	119-1011-15	1/10W 100 ohm	R669	119-1031-15	1/10W 10k ohm
R477	119-3311-15	1/10W 330 ohm	R599	119-0000-05	1/10W 0 ohm JW	R670	119-4731-15	1/10W 47k ohm
R478	119-3311-15	1/10W 330 ohm	R603	116-6801-15	1/4W 68 ohm	R671	119-3311-15	1/10W 330 ohm
R479	119-3311-15	1/10W 330 ohm	R604	119-3321-15	1/10W 3.3k ohm	R673	119-1041-15	1/10W 100k ohm
R480	119-1021-15	1/10W 1k ohm	R607	119-2231-15	1/10W 22k ohm	R674	119-1031-15	1/10W 10k ohm
R481	119-1021-15	1/10W 1k ohm	R611	119-1041-15	1/10W 100k ohm	R675	119-1021-15	1/10W 1k ohm
R482	119-1021-15	1/10W 1k ohm	R612	119-1041-15	1/10W 100k ohm	R676	119-1021-15	1/10W 1k ohm
R490	119-3311-15	1/10W 330 ohm	R613	119-4731-15	1/10W 47k ohm	R677	119-1021-15	1/10W 1k ohm
R491	119-3311-15	1/10W 330 ohm	R614	119-4731-15	1/10W 47k ohm	R679	119-2291-15	1/10W 2.2 ohm
R501	032-0140-58	1/10W 51k ohm F	R615	119-1031-15	1/10W 10k ohm	R680	119-2291-15	1/10W 2.2 ohm
R502	032-0140-58	1/10W 51k ohm F	R616	119-2711-15	1/10W 270 ohm	R686	119-0000-05	1/10W 0 ohm JW
R503	032-0140-58	1/10W 51k ohm F	R617	119-2711-15	1/10W 270 ohm	R696	119-0000-05	1/10W 0 ohm JW
R504	032-0140-58	1/10W 51k ohm F	R620	119-1031-15	1/10W 10k ohm	R699	119-0000-05	1/10W 0 ohm JW
R505	032-0140-51	1/10W 15k ohm F	R621	116-1221-15	1/4W 1.2k ohm	SUP1	060-0122-91	DSP-141N-S00B
R506	032-0140-51	1/10W 15k ohm F	R627	119-1031-15	1/10W 10k ohm	T101	009-9006-70	CHOKE
R507	032-0140-51	1/10W 15k ohm F	R628	116-1521-15	1/4W 1.5k ohm	X2	061-9013-00	7.2MHz
R508	032-0140-51	1/10W 15k ohm F	R634	119-1031-15	1/10W 10k ohm	X601	060-1533-90	CSTCE10M0G52-RO
R509	119-3311-15	1/10W 330 ohm	R635	119-3321-15	1/10W 3.3k ohm	PWB	039-2671-00	PWB(WITHOUT COMPONENT)
R533	119-0000-05	1/10W 0 ohm JW	R642	119-1031-15	1/10W 10k ohm			
R534	119-0000-05	1/10W 0 ohm JW	R643	119-5621-15	1/10W 5.6k ohm			
R537	119-8221-15	1/10W 8.2k ohm	R651	119-1031-15	1/10W 10k ohm			
R538	119-3321-15	1/10W 3.3k ohm	R652	119-1811-15	1/10W 180 ohm			

IN-ES PWB section(B2)

REF No.	PART No.	DESCRIPTION	REF No.	PART No.	DESCRIPTION	REF No.	PART No.	DESCRIPTION
J751	074-1106-10	10P	R753	119-0000-05	1/10W 0 ohm JW	S752	013-3906-00	SPPB51
J752	074-1106-16	16P	R754	119-1021-15	1/10W 1k ohm	S753	013-6312-50	SKRP-ABE-010
J753	074-1201-70	20P	R755	119-0000-05	1/10W 0 ohm JW	PWB	039-2673-00	PWB(WITHOUT COMPONENT)
PL751	017-0444-00	14V50mA	R756	119-1031-15	1/10W 10k ohm			
PL752	017-0444-00	14V50mA	S751	013-6312-50	SKRP-ABE-010			

SW PWB section(B3)

REF No.	PART No.	DESCRIPTION	REF No.	PART No.	DESCRIPTION	REF No.	PART No.	DESCRIPTION
C702	168-4732-78	0.047uF K	R704	119-1021-15	1/10W 1k ohm	R753	119-0000-05	1/10W 0 ohm JW
C703	168-4732-78	0.047uF K	R705	119-1021-15	1/10W 1k ohm	S701	013-6305-50	SKQMAH
C704	042-0423-97	16V 10uF	R706	119-3921-15	1/10W 3.9k ohm	S702	013-6305-50	SKQMAH
C705	168-1032-55	0.01uF K	R707	119-1041-15	1/10W 100k ohm	S704	013-6305-50	SKQMAH
C706	168-4732-78	0.047uF K	R708	119-1011-15	1/10W 100 ohm	S705	013-6305-50	SKQMAH
D701	001-0529-29	MA8051-M	R709	119-1011-15	1/10W 100 ohm	S706	013-6305-50	SKQMAH
D702	001-0529-14	MA8030-L	R714	119-6811-15	1/10W 680 ohm	S707	013-6305-50	SKQMAH
D710	001-7040-91	NSCW100-T	R715	119-1211-15	1/10W 120 ohm	S708	013-6305-50	SKQMAH
D711	001-7040-91	NSCW100-T	R716	119-1211-15	1/10W 120 ohm	S709	013-6305-50	SKQMAH
D720	001-7040-91	NSCW100-T	R720	119-3311-15	1/10W 330 ohm	S710	013-6305-50	SKQMAH
D721	001-7040-91	NSCW100-T	R721	119-3311-15	1/10W 330 ohm	S711	013-6305-50	SKQMAH
D722	001-7040-91	NSCW100-T	R722	119-3311-15	1/10W 330 ohm	S713	013-6305-50	SKQMAH
D723	001-7040-91	NSCW100-T	R723	119-3311-15	1/10W 330 ohm	S715	013-6305-50	SKQMAH
D724	001-7040-91	NSCW100-T	R724	119-3311-15	1/10W 330 ohm	S717	013-6305-50	SKQMAH
D725	001-7078-90	NSCW505T	R725	119-3311-15	1/10W 330 ohm	S721	013-6305-50	SKQMAH
D730	001-0529-41	MA8075-M	R731	119-1031-15	1/10W 10k ohm	S724	013-6305-50	SKQMAH
D731	001-0529-41	MA8075-M	R732	119-1031-15	1/10W 10k ohm	S725	013-6305-50	SKQMAH
D732	001-0529-41	MA8075-M	R733	119-1031-15	1/10W 10k ohm	S726	013-6305-50	SKQMAH
D733	001-0529-41	MA8075-M	R734	119-1031-15	1/10W 10k ohm	S727	013-6305-50	SKQMAH
IC701	051-6066-00	NJU6535FG1	R735	119-1031-15	1/10W 10k ohm	S728	013-6305-50	SKQMAH
J701	074-1100-70	52746-2090 FPC	R736	119-1031-15	1/10W 10k ohm	VR701	016-9900-84	VR W/SHAFT
LCD701	379-1329-40	LCD	R737	119-1031-15	1/10W 10k ohm	VR702	016-9900-84	VR W/SHAFT
Q701	125-3004-90	KTA1504S	R738	119-1031-15	1/10W 10k ohm	VR703	016-9900-84	VR W/SHAFT
R701	119-1031-15	1/10W 10k ohm	R750	119-0000-05	1/10W 0 ohm JW	VR704	016-9900-84	VR W/SHAFT
R702	119-3311-15	1/10W 330 ohm	R751	119-0000-05	1/10W 0 ohm JW	PWB	039-2672-00	PWB(WITHOUT COMPONENT)
R703	119-1021-15	1/10W 1k ohm	R752	119-0000-05	1/10W 0 ohm JW			

CD PWB section(B4)

REF No.	PART No.	DESCRIPTION	REF No.	PART No.	DESCRIPTION	REF No.	PART No.	DESCRIPTION
C1	168-1042-78	16V 0.1uF	C34	168-1042-78	16V 0.1uF	R9	033-2211-15	1/10W 220 ohm
C3	163-2273-05	4V 220uF	C35	046-6812-58	680pF	R11	033-1051-15	1/10W 1M ohm
C4	168-1042-78	16V 0.1uF	C36	168-1042-78	16V 0.1uF	R12	119-6811-15	1/10W 680 ohm
C5	163-1073-35	16V 100uF	C37	168-1042-78	16V 0.1uF	R13	033-2211-15	1/10W 220 ohm
C6	163-1073-35	16V 100uF	C38	046-1522-58	1500pF	R14	033-2211-15	1/10W 220 ohm
C7	168-1042-78	16V 0.1uF	C39	046-4722-58	4700pF	R16	033-2231-15	1/10W 22k ohm
C9	178-1052-78	1uF	C40	046-1032-78	0.01uF	R18	033-3341-15	1/10W 330k ohm
C10	042-0560-85	6.3V 100uF	C41	046-1532-78	0.015uF	R19	033-5621-15	1/10W 5.6k ohm
C11	046-4712-58	470pF	C43	168-1042-78	16V 0.1uF	R21	033-2231-15	1/10W 22k ohm
C12	178-1052-78	1uF	C47	045-4701-50	47pF	R22	033-4731-15	1/10W 47k ohm
C13	046-4712-58	470pF	C48	168-1042-78	16V 0.1uF	R24	033-1041-15	1/10W 100k ohm
C15	168-1042-78	16V 0.1uF	C49	168-1042-78	16V 0.1uF	R25	033-1031-15	1/10W 10k ohm
C16	168-4732-78	0.047uF	C50	042-0666-00	12.5V 22uF	R26	033-1531-15	1/10W 15k ohm
C17	168-4732-78	0.047uF	C51	046-5622-58	5600pF	R27	033-4731-15	1/10W 47k ohm
C18	168-1042-78	16V 0.1uF	C52	178-1052-78	1uF	R28	033-1831-15	1/10W 18k ohm
C19	168-1042-78	16V 0.1uF	C55	178-1052-78	1uF	R29	033-6821-15	1/10W 6.8k ohm
C21	046-6822-58	6800pF	CCT2	050-0140-63	1/32W 47k ohmx4J	R30	033-8231-15	1/10W 82k ohm
C22	046-3332-78	0.033uF	D1	001-0367-91	1SS226	R31	033-8231-15	1/10W 82k ohm
C24	178-1052-78	1uF	IC1	051-6071-08	BA5825FP-E2	R32	119-1001-15	1/10W 10 ohm
C25	168-1042-78	16V 0.1uF	IC2	051-6399-00	TC94A15F	R33	033-2731-15	1/10W 27k ohm
C26	168-1042-78	16V 0.1uF	J101	074-1228-76	26P	R34	033-2731-15	1/10W 27k ohm
C28	168-1042-78	16V 0.1uF	J201	074-1138-65	15P	R35	033-2731-15	1/10W 27k ohm
C29	168-1042-78	16V 0.1uF	J301	074-1138-60	10P	R36	033-2731-15	1/10W 27k ohm
C30	045-6801-50	68pF	Q1	131-1188-50	2SB1188PQR	R37	032-0162-50	1/10W 0.51 ohm
C31	168-1042-78	16V 0.1uF	Q2	131-1188-50	2SB1188PQR	X1	060-1535-90	16.934MHz
C32	168-1042-78	16V 0.1uF	R1	117-6811-15	1/8W 680 ohm	PWB	039-2435-20	PWB(WITHOUT COMPONENT)
C33	046-1532-78	0.015uF	R2	117-1001-15	1/8W 10 ohm			

LED PWB(B5) section

REF No.	PART No.	DESCRIPTION	REF No.	PART No.	DESCRIPTION	REF No.	PART No.	DESCRIPTION
D1	001-7058-90	AN1105W-RR	Q1	060-4015-90	PS1192H	S2	013-7413-50	LIMIT
D2	001-7058-90	AN1105W-RR	Q2	060-4015-90	PS1192H	PWB	039-1944-21	PWB(WITHOUT COMPONENT)
J1	074-1138-60	10P	S1	013-7414-50	CHUCKING			