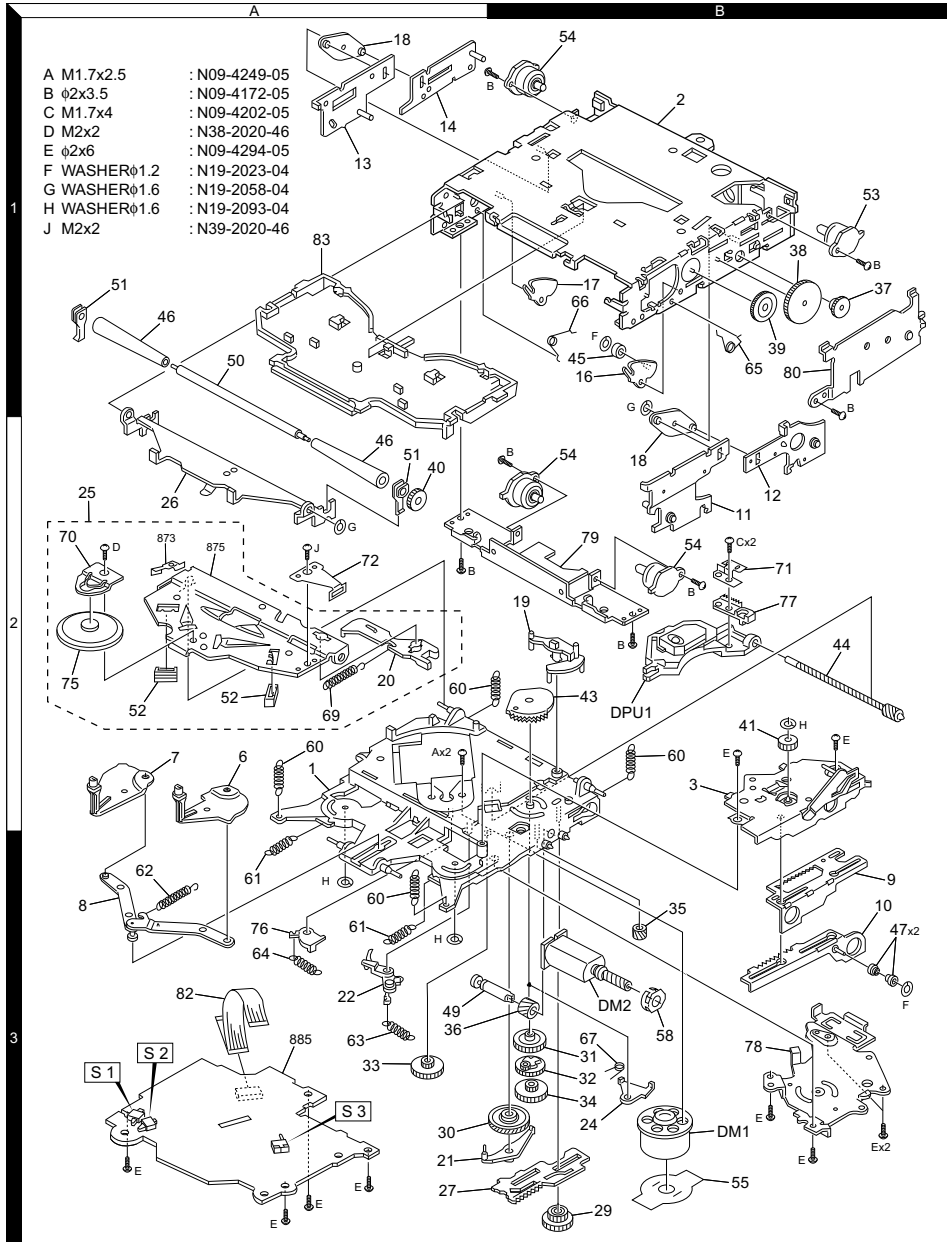


# KDC-216S/2018

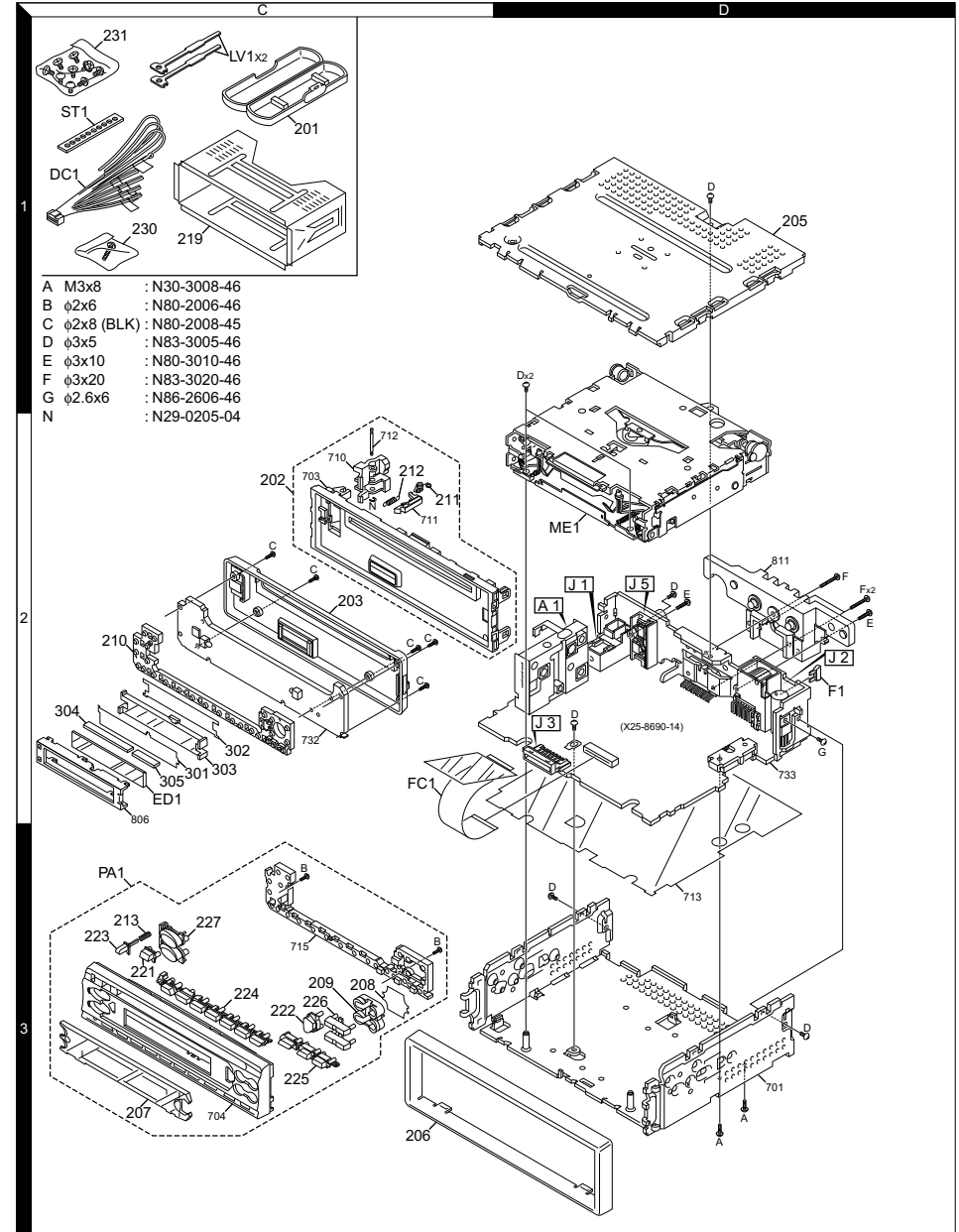
## EXPLODED VIEW (CD MECHANISM)



Parts with exploded numbers larger than 700 are not supplied.

# KDC-216S/2018

## EXPLODED VIEW (UNIT)



Parts with exploded numbers larger than 700 are not supplied.

## PARTS LIST

\* New Parts

Parts without Parts No. are not supplied.

Les articles non mentionnes dans le Parts No. ne sont pas fournis.

Teile ohne Parts No. werden nicht geliefert.

KDC-216S/2018

SWITCH UNIT(X13-9880-13)  
ELECTRIC UNIT(X25-8690-XX)

Ref.No.	A d d	N e w	Parts No.	Description	Dest inati on
<b>KDC-216S/2018</b>					
201	1C		A02-1486-13	PLASTIC CABINET ASSY	
202	2C		A22-2863-03	SUB PANEL ASSY	
203	2C		A46-1694-01	REAR COVER	
205	1D		A52-0783-02	TOP PLATE	
PA1	3C	*	A64-2202-02	PANEL ASSY	K4
PA1	3C	*	A64-2209-02	PANEL ASSY	M
206	3C		B07-3001-02	ESCUTCHEON	K4,M
207	3C		B10-3294-01	FRONT GLASS	K4
207	3C		B10-3297-01	FRONT GLASS	M
208	3C	*	B11-1345-04	OPTICAL DIFFUSER	
209	3C		B19-2076-03	LIGHTING BOARD	
-			B46-0100-50	WARRANTY CARD	
-			B46-0606-04	ID CARD	
-			B58-1344-04	CAUTION CARD	K4
-		*	B64-1830-00	INSTRUCTION MANUAL	K4
-		*	B64-1831-00	INSTRUCTION MANUAL E,T	M
-		*	B64-1832-00	INSTRUCTION MANUAL A	M
LV1	1C		D10-4589-04	LEVER	
210	2C		E29-1830-02	CONDUCTIVE RUBBER	
⚠ DC1	1C		E30-4783-05	DC CORD	K4
DC1	1C		E30-4784-05	DC CORD	M
FC1	2C		E39-0343-05	FLAT CABLE	
⚠ F1	2D		F52-0006-05	FUSE(MINI BLADE TYPE)	
⚠ F1	2D		F52-0011-05	FUSE(MINI BLADE TYPE)	
211	2C		G01-2987-04	TORSION COIL SPRING	
212	2C		G01-2988-04	EXTENSION SPRING	
213	3C		G01-2990-04	COMPRESSION SPRING	
-			H10-4740-02	POLYSTYRENE FOAMED FIXTURE	
-			H25-0329-04	PROTECTION BAG (280X450X0.03)	
-			H25-0337-04	PROTECTION BAG (180X300X0.03)	
-		*	H54-1896-03	ITEM CARTON CASE	K4
-		*	H54-1899-03	ITEM CARTON CASE	M
219	1C		J21-9641-03	MOUNTING HARDWARE ASSY	
ST1	1C		J54-0606-04	STAY	
221	3C		K24-3653-04	KNOB EJ	
222	3C		K24-3652-04	KNOB Q	
223	3C		K24-3665-04	KNOB RELEASE	
224	3C		K25-1253-03	KNOB 1-6	
225	3C		K25-1254-03	KNOB CLK	
226	3C		K25-1255-03	KNOB FM/AM	
227	3C		K25-1256-03	KNOB VOL	
230	1C		N99-1610-15	SCREW SET	K4,M
231	1C		N99-1632-05	SCREW SET	
A	3D		N30-3008-46	PAN HEAD MACHINE SCREW	
B	3C		N80-2006-46	PAN HEAD TAPTITE SCREW	
C	3C		N80-2008-45	PAN HEAD TAPTITE SCREW	
D	1D		N83-3005-46	PAN HEAD TAPTITE SCREW	
N	2C		N29-0205-04	RETAINING RING (1.5φ)	
ME1	2C		X92-4130-00	MECHANISM ASSY	

Ref.No.	A d d	N e w	Parts No.	Description	Dest inati on
<b>SWITCH UNIT (X13-9880-13)</b>					
301	3C		B11-1327-04	OPTICAL DIFFUSER	
302	3C		B11-1328-04	REFLECTION SHEET	
303	3C		B19-2065-03	LIGHTING BOARD	
D1-14			B30-1533-05	LED(1608,PG)	
D17			B30-1533-05	LED(1608,PG)	
D20,21			B30-1533-05	LED(1608,PG)	
D24,25			B30-1533-05	LED(1608,PG)	
ED1			B38-1061-05	LIQUID CRYSTAL	
PL1,2			B30-1485-05	LAMP (5.5V 0.125A)	
PL1,2			B30-1543-05	LAMP (GRN 5.5V,0.12)	
C1			CK73GB1H102K	CHIP C 1000PF	K
C2,3			CK73GB1E473K	CHIP C 0.047UF	K
C2,3			CK73GB1H473K	CHIP C 0.047UF	K
C4			CK73GB1H103K	CHIP C 0.010UF	K
304	3C		E29-1829-04	CONDUCTIVE RUBBER	
305	3C		E29-1834-04	CONDUCTIVE RUBBER	
J1			E59-0828-05	RECTANGULAR PLUG	
CP1,2			R90-0724-05	MULTI-COMP 1K X4	
R2-4			RK73FB2A471J	CHIP R 470 J	1/10W
R5			RK73FB2A102J	CHIP R 1.0K J	1/10W
R7			RK73GB1J102J	CHIP R 1.0K J	1/16W
R8			RK73GB1J563J	CHIP R 56K J	1/16W
R9			RK73GB1J102J	CHIP R 1.0K J	1/16W
R10			RK73EB2B4R7J	CHIP R 4.7 J	1/8W
R13			RK73FB2A470J	CHIP R 47 J	1/10W
R14-16			RK73EB2B331J	CHIP R 330 J	1/8W
R17,18			RK73EB2B511J	CHIP R 510 J	1/8W
R19			RK73EB2B331J	CHIP R 330 J	1/8W
R21			RK73EB2B331J	CHIP R 330 J	1/8W
D22,23			DA204K	DIODE	
IC1			LC75853NE	MOS-IC	
Q1			DTA114EK	DIGITAL TRANSISTOR	
Q1			KRA102S	DIGITAL TRANSISTOR	
Q1			UN2111	DIGITAL TRANSISTOR	
<b>ELECTRIC UNIT (X25-8690-XX)</b>					
D102			B30-1567-05	LED(1608,RED)	
C1			C90-2853-05	ELECTRO 4700UF	16WV
C21			CK73GB1H103K	CHIP C 0.010UF	K
C40			CK73GB1H103K	CHIP C 0.010UF	K
C50,51			CE04CW1E100M	ELECTRO 10UF	25WV
C52-54			C90-2597-05	ELECTRO 10UF	16WV
C55			CE04CW1E100M	ELECTRO 10UF	25WV
C56			CE04CW1H100M	ELECTRO 10UF	50WV
C57			C90-2926-05	ELECTRO 220UF	16WV
C63			CE04CW1C220M	ELECTRO 22UF	16WV
C101			CE04CW0J101M	ELECTRO 100UF	6.3WV
C102			CK73GB1H103K	CHIP C 0.010UF	K
C103			CK73GB1C104K	CHIP C 0.10UF	K
C103			CK73GB1H104K	CHIP C 0.10UF	K
C104,105			CC73GCH1H150J	CHIP C 15PF	J
C106			CK73GB1H472K	CHIP C 4700PF	K

K4: KDC-216S M: KDC-2018

⚠ indicates safety critical components.

# KDC-216S/2018

## PARTS LIST

\* New Parts

Parts without Parts No. are not supplied.

Les articles non mentionnes dans le Parts No. ne sont pas fournis.

Teile ohne Parts No. werden nicht geliefert.

### ELECTRIC UNIT(X25-8690-XX)

Ref.No.	A d d	N e w	Parts No.	Description	Dest inati on
C142			CK73GB1C104K	CHIP C 0.10UF K	
C142			CK73GB1H104K	CHIP C 0.10UF K	
C201			CE04CW1A470M	ELECTRO 47UF 10WV	
C202			CK73GB1H103K	CHIP C 0.010UF K	
C203-205			C90-2610-05	ELECTRO 2.2UF 50WV	
C206			CK73GB1H153K	CHIP C 0.015UF K	
C207			CK73GB1A474K	CHIP C 0.47UF K	
C208,209			CK73GB1C104K	CHIP C 0.10UF K	
C208,209			CK73GB1H104K	CHIP C 0.10UF K	
C210			CK73GB1E333K	CHIP C 0.033UF K	
C210			CK73GB1H333K	CHIP C 0.033UF K	
C211			CC73GCH1H151J	CHIP C 150PF J	
C223,224			C90-2597-05	ELECTRO 10UF 16WV	
C225			CK73GB1H103K	CHIP C 0.010UF K	
C251-254			C90-5296-05	NP-ELECT 0.22UF 50WV	
C255			C90-2608-05	ELECTRO 1.0UF 50WV	
C256			CE04CW1A101M	ELECTRO 100UF 10WV	
C257			C90-2608-05	ELECTRO 1.0UF 50WV	
C258			C90-2935-05	ELECTRO 1.0UF 50WV	
C301			CE04CW1A101M	ELECTRO 100UF 10WV	
C302,303			CK73GB1H103K	CHIP C 0.010UF K	
C304			CE04CW1A101M	ELECTRO 100UF 10WV	
C305			CK73GB1H103K	CHIP C 0.010UF K	
C306			C90-2594-05	ELECTRO 10UF 10WV	
C307			CK73GB1H103K	CHIP C 0.010UF K	
CN1			E40-9550-05	FLAT CABLE CONNECTOR	
J1			E04-0312-05	RF COAXIAL CABLE RECEPTACLE	
J2			E58-0863-15	RECTANGULAR RECEPTACLE	
J3			E58-0879-05	RECTANGULAR RECEPTACLE	
J5			E63-0852-05	PIN JACK	
P1			E23-0745-05	TERMINAL	
L1			L33-1170-05	CHOKE COIL ASSY	
L4			L33-1123-05	LINE FILTER COIL	
L101			L40-4795-91	SMALL FIXED INDUCTOR(4.7UH,J)	
L201			L40-4795-91	SMALL FIXED INDUCTOR(4.7UH,J)	
L303-306			L40-4795-91	SMALL FIXED INDUCTOR(4.7UH,J)	
X1			L77-1167-05	CRYSTAL RESONATOR(4.19M)	
D	2D		N83-3005-46	PAN HEAD TAPTITE SCREW	
E	2D		N80-3010-46	PAN HEAD TAPTITE SCREW	
F	2D		N83-3020-46	PAN HEAD TAPTITE SCREW	
G	2D		N86-2606-46	BINDING HEAD TAPTITE SCREW	
CP1			R90-1056-05	MULTIPLE RESISTOR	
CP2			R90-1047-05	MULTIPLE RESISTOR	
CP3			R90-1046-05	MULTIPLE RESISTOR	
R10			RK73FB2A303J	CHIP R 30K J 1/10W	
R11			RK73GB1J103J	CHIP R 10K J 1/16W	
R12			RK73GB1J104J	CHIP R 100K J 1/16W	
R20			RD14DB2H332J	SMALL-RD 3.3K J 1/2W	
R22			RK73GB1J103J	CHIP R 10K J 1/16W	
R23			RK73GB1J104J	CHIP R 100K J 1/16W	
R51			RK73GB1J473J	CHIP R 47K J 1/16W	
R57			RK73FB2A152J	CHIP R 1.5K J 1/10W	
R58			RK73GB1J472J	CHIP R 4.7K J 1/16W	

Ref.No.	A d d	N e w	Parts No.	Description	Dest inati on
R67			RK73GB1J103J	CHIP R 10K J 1/16W	
R71			RK73FB2A823J	CHIP R 82K J 1/10W	
R72			RK73FB2A363J	CHIP R 36K J 1/10W	
R73			RK73GB1J104J	CHIP R 100K J 1/16W	
R103,104			RK73GB1J222J	CHIP R 2.2K J 1/16W	
R105			RK73GB1J471J	CHIP R 470 J 1/16W	
R106			RK73GB1J104J	CHIP R 100K J 1/16W	
R107,108			RK73GB1J222J	CHIP R 2.2K J 1/16W	
R110			RK73GB1J472J	CHIP R 4.7K J 1/16W	
R113,114			RK73GB1J473J	CHIP R 47K J 1/16W	
R115			RK73GB1J102J	CHIP R 1.0K J 1/16W	
R116			RK73GB1J103J	CHIP R 10K J 1/16W	
R117			RK73GB1J102J	CHIP R 1.0K J 1/16W	
R118			RK73GB1J103J	CHIP R 10K J 1/16W	
R119			RK73GB1J473J	CHIP R 47K J 1/16W	
R121,122			RK73GB1J222J	CHIP R 2.2K J 1/16W	
R125			RK73GB1J102J	CHIP R 1.0K J 1/16W	
R126			RK73GB1J104J	CHIP R 100K J 1/16W	
R127			RK73GB1J222J	CHIP R 2.2K J 1/16W	
R128			RK73GB1J225J	CHIP R 2.2M J 1/16W	
R129,130			RK73GB1J222J	CHIP R 2.2K J 1/16W	
R131			RK73GB1J682J	CHIP R 6.8K J 1/16W	
R132			RK73GB1J223J	CHIP R 22K J 1/16W	
R133			RK73GB1J164J	CHIP R 160K J 1/16W	
R136			RK73GB1J473J	CHIP R 47K J 1/16W	K4
R138,139			RK73GB1J473J	CHIP R 47K J 1/16W	K4
R143			RK73FB2A222J	CHIP R 2.2K J 1/10W	
R144			RK73GB1J104J	CHIP R 100K J 1/16W	
R201			RK73GB1J272J	CHIP R 2.7K J 1/16W	
R202,203			RK73GB1J472J	CHIP R 4.7K J 1/16W	
R223,224			RK73FB2A271J	CHIP R 270 J 1/10W	
R251			RK73GB1J472J	CHIP R 4.7K J 1/16W	
R254			RK73GB1J472J	CHIP R 4.7K J 1/16W	
R255			RK73GB1J333J	CHIP R 33K J 1/16W	
R256			RK73FB2A102J	CHIP R 1.0K J 1/10W	
R257			RK73GB1J362J	CHIP R 3.6K J 1/16W	
R258			RK73GB1J101J	CHIP R 100 J 1/16W	
R260			RK73GB1J751J	CHIP R 750 J 1/16W	
R261			RK73GB1J431J	CHIP R 430 J 1/16W	
R263			RK73GB1J184J	CHIP R 180K J 1/16W	
R264			RK73GB1J473J	CHIP R 47K J 1/16W	
R415			RK73GB1J104J	CHIP R 100K J 1/16W	K4
W151			R92-2053-05	CHIP R 0 J 1/8W	
W152			R92-1252-05	CHIP R 0 OHM	
W155			R92-1252-05	CHIP R 0 OHM	
W156,157			R92-2053-05	CHIP R 0 J 1/8W	
W158,159			R92-1252-05	CHIP R 0 OHM	
W160-165			R92-2053-05	CHIP R 0 J 1/8W	
W167-169			R92-1252-05	CHIP R 0 OHM	
D1			S2V20*A	DIODE	
D4			IMSA-6801	SURGE ABSORBER	
D4			SA-C2012-101TB	SURGE ABSORBER	
D10			MA4068(N)-M	ZENER DIODE	
D12-14			AM01Z	DIODE	

K4: KDC-216S M: KDC-2018

▲ indicates safety critical components.

## PARTS LIST

\* New Parts

Parts without Parts No. are not supplied.

Les articles non mentionnes dans le Parts No. ne sont pas fournis.

Teile ohne Parts No. werden nicht geliefert.

**ELECTRIC UNIT(X25-8690-XX)**  
**CD PLAYER UNIT(X32-5010-00)**

Ref.No.	A d d	N e w	Parts No.	Description	Dest inati on
D12-14			DSM1SD2	DIODE	
D12-14			ERA15-02	DIODE	
D20			MA4068(N)-M	ZENER DIODE	
D2,3			1SS133	DIODE	
D40			1SS133	DIODE	
D50			1SS133	DIODE	
D51			HZS9A1L	ZENER DIODE	
D51			MA4082(N)-L	ZENER DIODE	
D70			MA4068(N)-M	ZENER DIODE	
D101			1SS133	DIODE	
D103,104			1SS133	DIODE	
D106,107			HZS6C1	ZENER DIODE	
D106,107			MA4062-L	ZENER DIODE	
D201,202			MA4068(N)-M	ZENER DIODE	
D251-253			1SS133	DIODE	
IC1			UPD780058GC231	MI-COM IC	
IC2			TDA7407D	ANALOGUE IC	
IC4			TDA7386	ANALOGUE IC	
IC7			BA4911-V4	ANALOGUE IC	
IC8			HD74HC27FP	MOS-IC	
IC11			S-80830ANNP	MOS-IC	
IC12			BR24C01AF	MEMORY IC	
IC12			BR24C01AF-W	MEMORY IC	
IC12			M24C01-WMN6T	MEMORY IC	
IC12			S-24C01B	MEMORY IC	
Q10			2SC4081	TRANSISTOR	
Q10			2SD1819A	TRANSISTOR	
Q20			2SC4081	TRANSISTOR	
Q20			2SD1819A	TRANSISTOR	
Q40			DTA124EUA	DIGITAL TRANSISTOR	
Q40			UN5112	DIGITAL TRANSISTOR	
Q50			2SA1036K	TRANSISTOR	
Q51			UMC2N	TRANSISTOR	
Q53			UMC2N	TRANSISTOR	
Q55			2SD2375	TRANSISTOR	
Q55			2SD2396	TRANSISTOR	
Q70			2SC4081	TRANSISTOR	
Q70			2SD1819A	TRANSISTOR	
Q101			2SC4081	TRANSISTOR	
Q101			2SD1819A	TRANSISTOR	
Q102			DTA114YUA	DIGITAL TRANSISTOR	
Q102			UN5114	DIGITAL TRANSISTOR	
Q223,224			DTC143TUA	DIGITAL TRANSISTOR	
Q223,224			UN5216	DIGITAL TRANSISTOR	
Q251			DTC114YUA	DIGITAL TRANSISTOR	
Q251			UN5214	DIGITAL TRANSISTOR	
TH1			PTH9C42BE471Q	POSITIVE RESISTOR	
A1	2D		X86-3300-10	TUNER UNIT	
<b>CD PLAYER UNIT (X32-5010-00)</b>					
C1,2			CK73FB1C105K	CHIP C	1.0UF K
C3			CK73FB0J475K	CHIP C	4.7UF K
C4			C92-0566-05	CHIP-TAN	10UF 6.3WV
C5			CC73GCH1H330J	CHIP C	33PF J
C6			CC73GCH1H030C	CHIP C	3.0PF C

Ref.No.	A d d	N e w	Parts No.	Description	Dest inati on
C7			CK73GB1C104K	CHIP C	0.10UF K
C8			CK73FB1C105K	CHIP C	1.0UF K
C10			CK73GB1H472K	CHIP C	4700PF K
C11			CK73GB1H682K	CHIP C	6800PF K
C12			CK73GB1H332K	CHIP C	3300PF K
C13			CK73GB1C333K	CHIP C	0.033UF K
C14			CK73GB1H472K	CHIP C	4700PF K
C15			CK73GB1C473K	CHIP C	0.047UF K
C16			CC73GCH1H221J	CHIP C	220PF J
C17			CK73GB1H472K	CHIP C	4700PF K
C18			CC73GCH1H471J	CHIP C	470PF J
C19,20			CK73GB1C104K	CHIP C	0.10UF K
C21			CK73FB0J475K	CHIP C	4.7UF K
C23			CK73GB1H102K	CHIP C	1000PF K
C24			CK73GB1E223K	CHIP C	0.022UF K
C25			CK73GB1H153K	CHIP C	0.015UF K
C26			CK73GB0J105K	CHIP C	1.0UF K
C28			CK73GB0J105K	CHIP C	1.0UF K
C29			CK73GB1C104K	CHIP C	0.10UF K
C33			CK73GB1C104K	CHIP C	0.10UF K
C35			CK73GB1C104K	CHIP C	0.10UF K
C41			CK73EB1C225K	CHIP C	2.2UF K
C43			CK73GB1H153K	CHIP C	0.015UF K
C45			CK73GB1H153K	CHIP C	0.015UF K
C46			CK73GB1C473K	CHIP C	0.047UF K
C55			CK73GB1C104K	CHIP C	0.10UF K
C68			CK73GB1C104K	CHIP C	0.10UF K
C71,72			CK73GB1H471K	CHIP C	470PF K
C77,78			CC73GCH1H680J	CHIP C	68PF J
C79,80			CK73GB1H222K	CHIP C	2200PF K
C85			CK73GB1C104K	CHIP C	0.10UF K
C89			CK73GB1H222K	CHIP C	2200PF K
C90			CK73GB1C104K	CHIP C	0.10UF K
CN1			E40-9536-05	FLAT CABLE CONNECTOR	
CN2			E40-9339-05	FLAT CABLE CONNECTOR	
CN2			E41-0036-05	FLAT CABLE CONNECTOR	
CN2			E41-0129-05	FLAT CABLE CONNECTOR	
X1			L78-0572-05	RESONATOR (16.93MHZ)	
CP1-3			R90-1019-05	MULTI-COMP	100 X 2
R3			RK73GB1J272J	CHIP R	2.7K J 1/16W
R5			RK73GB1J151J	CHIP R	150 J 1/16W
R6			RK73GB1J272J	CHIP R	2.7K J 1/16W
R8			RK73EB2B4R7J	CHIP R	4.7 J 1/8W
R9			RK73EB2B100J	CHIP R	10 J 1/8W
R10,11			RK73GB1J682J	CHIP R	6.8K J 1/16W
R12			RK73GB1J432J	CHIP R	4.3K J 1/16W
R15			RK73GB1J824J	CHIP R	820K J 1/16W
R16			RK73GB1J223J	CHIP R	22K J 1/16W
R17			RK73GB1J363J	CHIP R	36K J 1/16W
R18			RK73GB1J392J	CHIP R	3.9K J 1/16W
R19			RK73GB1J333J	CHIP R	33K J 1/16W
R20			RK73GB1J104J	CHIP R	100K J 1/16W
R21			RK73GB1J334J	CHIP R	330K J 1/16W

K4: KDC-216S M: KDC-2018

▲ indicates safety critical components.

# KDC-216S/2018

## PARTS LIST

\* New Parts

Parts without Parts No. are not supplied.

Les articles non mentionnés dans le Parts No. ne sont pas fournis.

Teile ohne Parts No. werden nicht geliefert.

**CD PLAYER UNIT(X32-5010-00)**  
**MECHANISM ASSY(X92-4130-00)**

Ref.No.	A d d	N e w	Parts No.	Description	Dest inati on
R32			RK73GB1J104J	CHIP R 100K J 1/16W	
R34			RK73GB1J683J	CHIP R 68K J 1/16W	
R36			RK73GB1J151J	CHIP R 150 J 1/16W	
R37			RK73GB1J471J	CHIP R 470 J 1/16W	
R38			RK73GB1J224J	CHIP R 220K J 1/16W	
R46			RK73GB1J102J	CHIP R 1.0K J 1/16W	
R47			RK73GB1J103J	CHIP R 10K J 1/16W	
R49			RK73GB1J472J	CHIP R 4.7K J 1/16W	
R52			RK73GB1J104J	CHIP R 100K J 1/16W	
R54			RK73GB1J104J	CHIP R 100K J 1/16W	
R71			RK73GB1J103J	CHIP R 10K J 1/16W	
R72			RK73GB1J102J	CHIP R 1.0K J 1/16W	
R73			RK73GB1J473J	CHIP R 47K J 1/16W	
R75			RK73GB1J333J	CHIP R 33K J 1/16W	
R76			RK73GB1J622J	CHIP R 6.2K J 1/16W	
R77			RK73GB1J563J	CHIP R 56K J 1/16W	
R78			RK73GB1J243J	CHIP R 24K J 1/16W	
R81			RK73GB1J333J	CHIP R 33K J 1/16W	
R82			RK73GB1J123J	CHIP R 12K J 1/16W	
R83			RK73GB1J102J	CHIP R 1.0K J 1/16W	
R102			RK73GB1J332J	CHIP R 3.3K J 1/16W	
R104			RK73GB1J562J	CHIP R 5.6K J 1/16W	
R107,108			RK73FB2A331J	CHIP R 330 J 1/10W	
R117,118			RK73FB2A203J	CHIP R 20K J 1/10W	
R121,122			RK73FB2A203J	CHIP R 20K J 1/10W	
R125,126			RK73FB2A203J	CHIP R 20K J 1/10W	
R202			RK73GB1J104J	CHIP R 100K J 1/16W	
R214			RK73GB1J104J	CHIP R 100K J 1/16W	
R218			RK73GB1J473J	CHIP R 47K J 1/16W	
R233			RK73GB1J622J	CHIP R 6.2K J 1/16W	
R234			RK73GB1J103J	CHIP R 10K J 1/16W	
R238			RK73FB2A201J	CHIP R 200 J 1/10W	
W17			R92-2053-05	CHIP R 0 J 1/8W	
S1,2			S68-0838-05	PUSH SWITCH	
S3			S68-0859-05	PUSH SWITCH	
D1,2			DAN202U	DIODE	
D3			DA204U	DIODE	
D4			DAN202U	DIODE	
D5			MA8051-L	ZENER DIODE	
IC1			AN22000AA	ANALOGUE IC	
IC2			MN662774KG1	MOS-IC	
IC4			BA5917AFP	ANALOGUE IC	
IC6			NJM4565MD	IC(OP AMP X2)	
Q1			MCH6101	TRANSISTOR	
Q2			DTC124EUA	DIGITAL TRANSISTOR	
Q3			DTA143XUA	DIGITAL TRANSISTOR	
Q4			2SA1362(Y)	TRANSISTOR	
Q5			DTC124EUA	DIGITAL TRANSISTOR	
<b>MECHANISM ASSY (X92-4130-00)</b>					
1	2A		A10-4482-01	CHASSIS	
2	1B		A10-4225-33	CHASSIS CALKING ASSY	
3	2B		A11-0915-43	SUB CHASSIS CALKING ASSY	
6	2A		D10-4306-04	ARM ASSY	

Ref.No.	A d d	N e w	Parts No.	Description	Dest inati on
7	2A		D10-4305-04	ARM ASSY	
8	3A		D10-3087-44	ARM ASSY	
9	3B		D10-3092-03	SLIDER	
10	3B		D10-3093-04	SLIDER ASSY	
11	2B		D10-3095-04	SLIDER ASSY	
12	2B		D10-3096-04	SLIDER ASSY	
13	1A		D10-3099-24	SLIDER ASSY	
14	1A		D10-3100-04	SLIDER ASSY	
16	1B		D10-4004-04	LEVER ASSY	
17	1B		D10-4006-04	LEVER	
18	1A		D10-4007-04	LEVER	
19	2B		D10-4008-14	LEVER	
20	2A		D10-4009-23	ARM	
21	3A		D10-4010-04	LEVER	
22	3A		D10-4307-04	LEVER ASSY	
24	3B		D10-4050-04	ARM	
25	3A		D10-4038-23	ARM ASSY	
26	2A		D10-4123-24	LEVER ASSY	
27	3A		D13-1442-03	RACK (GEAR)	
29	3B		D13-1231-04	GEAR	
30	3A		D13-1240-04	GEAR	
31	3B		D13-1233-04	GEAR	
32	3B		D13-1234-14	GEAR ASSY	
33	3A		D13-1441-03	GEAR	
34	3B		D13-1232-04	GEAR	
35	3B		D13-1241-04	GEAR	
36	3A		D13-1242-04	GEAR	
37	1B		D13-1243-04	GEAR	
38	1B		D13-1244-04	GEAR	
39	1B		D13-1245-14	GEAR	
40	2A		D13-1246-04	GEAR	
41	2B		D13-1247-04	GEAR	
43	2B		D13-1249-04	GEAR ASSY	
44	2B		D13-1341-04	GEAR ASSY (LEAD SCREW)	
45	1B		D14-0668-04	ROLLER	
46	2A		D14-0670-04	ROLLER	
47	3B		D14-0674-04	ROLLER	
49	3A		D21-2228-14	SHAFT	
50	1A		D21-2229-04	SHAFT	
51	1A		D23-0925-24	RETAINER	
52	2A		D32-0614-04	STOPPER	
53	1B		D39-0223-05	DAMPER (YELLOW)	
54	2B		D39-0224-05	DAMPER (BLACK)	
55	3B		F09-1246-04	SHEET	
58	3B		F09-1266-14	SHEET	
60	2A		G01-2770-04	EXTENSION SPRING	
61	3A		G01-2771-04	EXTENSION SPRING	
62	3A		G01-2772-24	EXTENSION SPRING	
63	3A		G01-2773-14	EXTENSION SPRING	
64	3A		G01-2774-34	EXTENSION SPRING	
65	1B		G01-2775-04	TORSION COIL SPRING	
66	1B		G01-2776-14	TORSION COIL SPRING	
67	3B		G01-2777-24	TORSION COIL SPRING	
69	2A		G01-2844-04	EXTENSION SPRING	

## PARTS LIST

\* New Parts

Parts without Parts No. are not supplied.

Les articles non mentionnes dans le Parts No. ne sont pas fournis.

Teile ohne Parts No. werden nicht geliefert.

**MECHANISM ASSY(X92-4130-00)**

Ref.No.	A d d	N e w	Parts No.	Description	Dest inati on
70	2A		G02-1231-04	FLAT SPRING	
71	2B		G02-1232-24	FLAT SPRING	
72	2A		G02-1241-24	FLAT SPRING	
75	2A		J11-0613-13	CLAMPER	
76	3A		J19-4678-13	HOLDER	
77	2B		J19-4679-24	HOLDER	
78	3B		J21-7684-13	MOUNTING HARDWARE	
79	2B		J21-7686-13	MOUNTING HARDWARE	
80	1B		J21-7690-03	MOUNTING HARDWARE	
82	3A		J84-0107-05	FLEXIBLE PRINTED WIRING BOARD	
83	1A		J90-0757-22	GUIDE	
A	2A		N09-4249-05	MACHINE SCREW (M1.7X2.5,LOCK)	
B	1B		N09-4172-05	TAPPING SCREW (2X3.5,CTITE)	
C	2B		N09-4202-05	STEPPED SCREW	
D	2A		N38-2020-46	PAN HEAD MACHIN SCREW	
E	3A		N09-4294-05	TAPTITE SCREW (BIND P TAPTIT)	
F	3B		N19-2023-04	FLAT WASHER	
G	2A		N19-2058-04	FLAT WASHER	
H	3A		N19-2093-04	FLAT WASHER	
J	2A		N39-2020-46	PAN HEAD MACHIN SCREW	
DM1	3B		T42-0764-04	DC MOTOR ASSY	
DM2	3B		T42-0763-04	DC MOTOR ASSY	
DPU1	2B		T25-0215-05	OPTICAL PICKUP HEAD	

Ref.No.	A d d	N e w	Parts No.	Description	Dest inati on