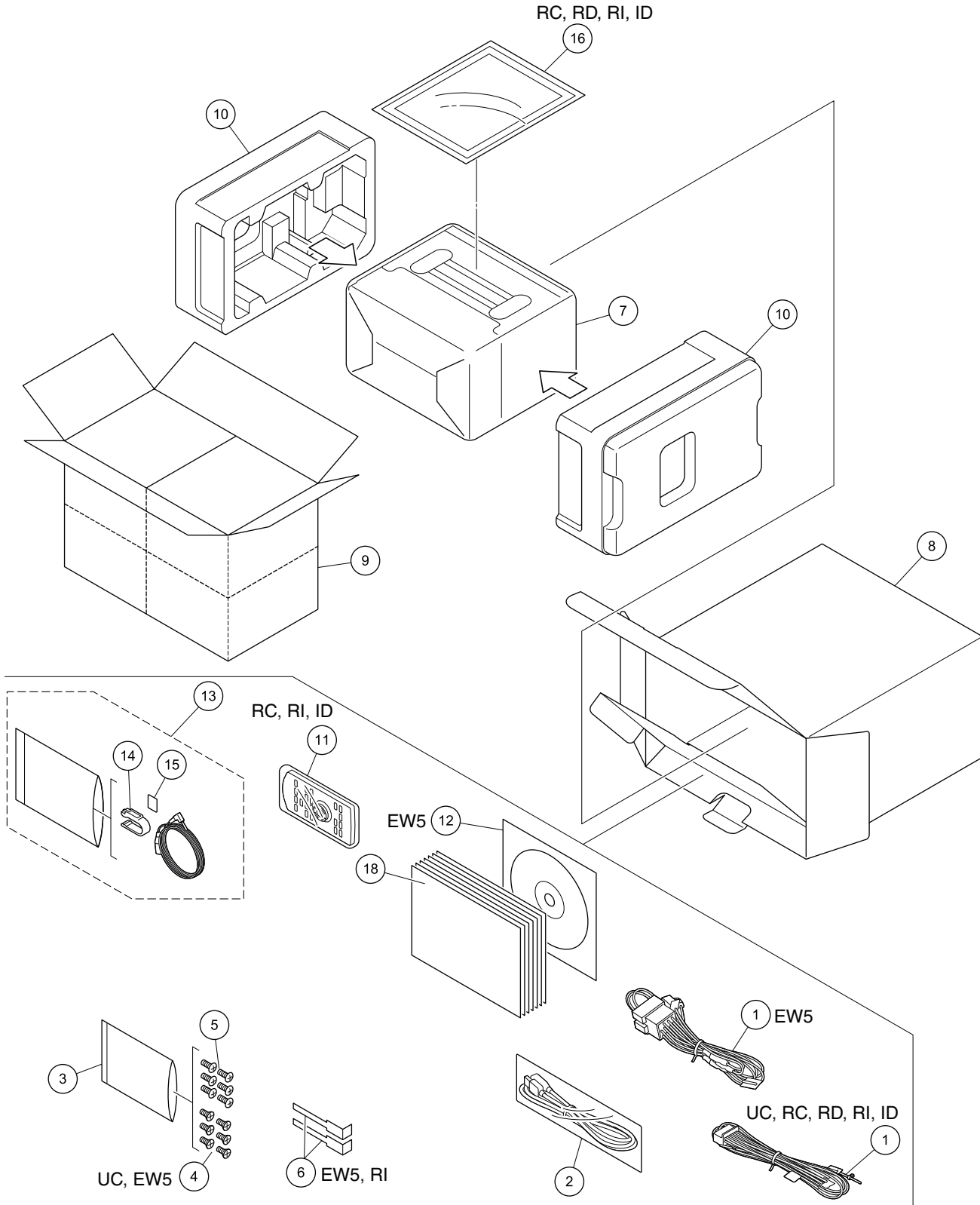


# 9. EXPLODED VIEWS AND PARTS LIST

NOTES : • Parts marked by "\*" are generally unavailable because they are not in our Master Spare Parts List.

- The ⚠ mark found on some component parts indicates the importance of the safety factor of the part. Therefore, when replacing, be sure to use parts of identical designation.
- Screw adjacent to ▽ mark on the product are used for disassembly.
- For the applying amount of lubricants or glue, follow the instructions in this manual. (In the case of no amount instructions, apply as you think it appropriate.)

## 9.1 PACKING



**(1) PACKING SECTION PARTS LIST**

<u>Mark No.</u>	<u>Description</u>	<u>Part No.</u>	<u>Mark No.</u>	<u>Description</u>	<u>Part No.</u>
1	Cord Assy	See Contrast table (2)	13	Microphone Assy	CPM1083
2	USB Extended Cable	CDP1587	14	Holder	CZN7192
3	Polyethylene Bag	CEG1160	15	Cushion	CZN7193
4	Screw	See Contrast table (2)			
5	Screw	TRZ50P080FTC	16	Panel	See Contrast table (2)
			17	•••••	
6	Handle	See Contrast table (2)	18-1	Owner's Manual	See Contrast table (2)
7	Cover	See Contrast table (2)	*	18-2 Quick Start Guide	See Contrast table (2)
8	Unit Box	See Contrast table (2)		18-3 Installation Manual	See Contrast table (2)
9	Contain Box	See Contrast table (2)			
10	Protector	See Contrast table (2)	*	18-4 Caution Card	See Contrast table (2)
			*	18-5 Caution Card	See Contrast table (2)
11	Card Remote Control Unit	See Contrast table (2)	*	18-6 Service Network	See Contrast table (2)
12	IM CD-ROM	See Contrast table (2)	*	18-7 Warranty Card	See Contrast table (2)

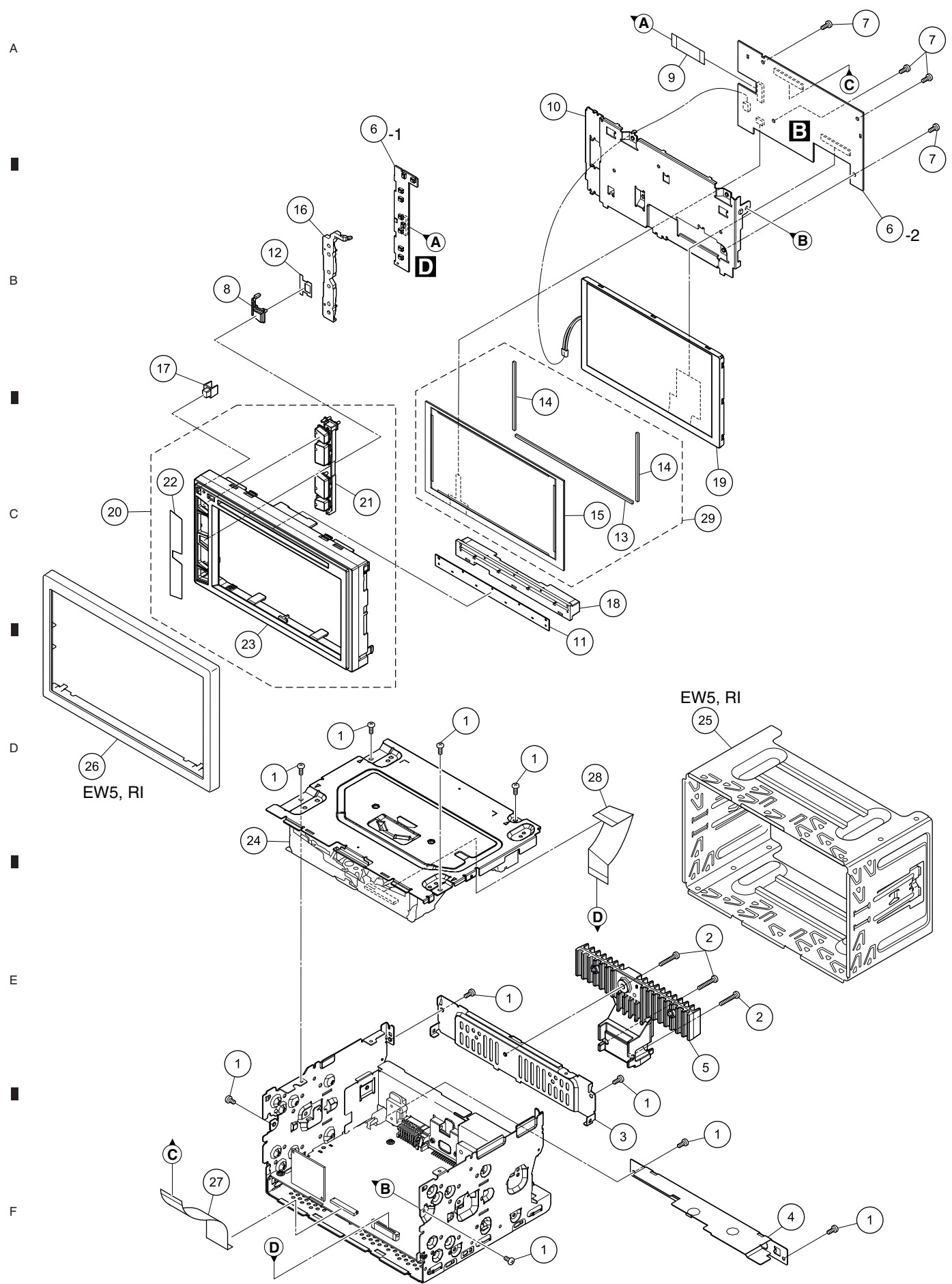
**(2) CONTRAST TABLE**

AVH-270BT/XNUC, AVH-270BT/XNEW5, AVH-275BT/XNRC, AVH-275BT/XNRD, AVH-275BT/XNRI, and AVH-279BT/XNID are constructed the same except for the following:

Mark	No.	Description	AVH-270BT/ XNUC	AVH-270BT/ XNEW5	AVH-275BT/ XNRC	AVH-275BT/ XNRD	AVH-275BT/ XNRI
	1	Cord Assy	CDP1696	CDP1697	CDP1696	CDP1696	CDP1696
	4	Screw	CRZ50P090FTC	CRZ50P090FTC	Not used	Not used	Not used
	6	Handle	Not used	CND6289	Not used	Not used	CND6289
	7	Cover	CEG1359	CEG1356	CEG1356	CEG1356	CEG1356
	8	Unit Box	CHG8763	CHG8771	CHG8764	CHG8765	CHG8772
	9	Contain Box	CHL8763	CHL8771	CHL8764	CHL8765	CHL8772
	10	Protector	CHP4598	CHP4599	CHP4598	CHP4598	CHP4599
	11	Card Remote Control Unit	Not used	Not used	CXE5116	Not used	CXE5116
	12	IM CD-ROM	Not used	CPJ1486	Not used	Not used	Not used
	16	Panel	Not used	Not used	CNS9475	CNS9475	CNS9475
*	18-1	Owner's Manual	CRD4837	Not used	CRD4838	CRD4839	CRD4840
	18-2	Quick Start Guide	Not used	CRD4835	Not used	Not used	Not used
	18-3	Installation Manual	Not used	CRD4836	Not used	Not used	Not used
*	18-4	Caution Card	Not used	CRP1436	Not used	Not used	Not used
*	18-5	Caution Card	Not used	CRP1441	Not used	Not used	Not used
*	18-6	Service Network	Not used	Not used	Not used	Not used	Not used
*	18-7	Warranty Card	QRY3001	CRY1376	Not used	Not used	Not used

Mark	No.	Description	AVH-279BT/ XNID
	1	Cord Assy	CDP1696
	4	Screw	Not used
	6	Handle	Not used
	7	Cover	CEG1356
	8	Unit Box	CHG8766
	9	Contain Box	CHL8766
	10	Protector	CHP4598
	11	Card Remote Control Unit	CXE5116
	12	IM CD-ROM	Not used
	16	Panel	CNS9475
*	18-1	Owner's Manual	CRB4485
	18-2	Quick Start Guide	Not used
	18-3	Installation Manual	Not used
*	18-4	Caution Card	Not used
*	18-5	Caution Card	Not used

# 9.2 EXTERIOR (1)



EW5, RI

EW5, RI

AVH-270BT/XNUC

**(1) EXTERIOR (1) SECTION PARTS LIST**

<u>Mark No.</u>	<u>Description</u>	<u>Part No.</u>	<u>Mark No.</u>	<u>Description</u>	<u>Part No.</u>
1	Screw	BSZ26P060FTC	16	Lighting Conductor	CNW3302
2	Screw	BSZ26P120FTC	17	Lighting Conductor	CNW3303
3	Holder	CND7211	18	Holder	CNW3304
4	Holder	CND7212	19	TFT LCD	CWX4348
5	Heat Sink	CNR2170	20	Grille Assy	See Contrast table (2)
6	Monitor Key Unit	See Contrast table (2)	21	Button	CAI4447
7	Screw	BSZ26P060FTC	22	Plate	CNN4860
8	Button (HOME)	CAI4449	23	Grille	See Contrast table (2)
9	FFC	CDE9768	24	DVD Mechanism Module(LS2.5)	CXK8200
10	Holder	CND7198	25	Holder	See Contrast table (2)
11	Cover	CNN4865	26	Panel	See Contrast table (2)
12	Sheet	CNN4864	27	FFC	CDD1084
13	Cushion	CNN4273	28	FFC	CDD1085
14	Cushion	CNN4964	29	Touch Panel Unit	CXE7897
15	Touch Panel	CSX1234			

**(2) CONTRAST TABLE**

AVH-270BT/XNUC, AVH-270BT/XNEW5, AVH-275BT/XNRC, AVH-275BT/XNRD, AVH-275BT/XNRI, and AVH-279BT/XNID are constructed the same except for the following:

Mark	No.	Description	AVH-270BT/ XNUC	AVH-270BT/ XNEW5	AVH-275BT/ XNRC	AVH-275BT/ XNRD	AVH-275BT/ XNRI
	6	Monitor Key Unit	CWN8758	CWN8757	CWN8758	CWN8758	CWN8758
	20	Grille Assy	CXE7814	CXE7813	CXE7815	CXE7815	CXE7815
	23	Grille	CNU3014	CNU3013	CNU3015	CNU3015	CNU3015
	25	Holder	Not used	CND7102	Not used	Not used	CND7102
	26	Panel	Not used	CNU2645	Not used	Not used	CNU2645

Mark	No.	Description	AVH-279BT/ XNID
	6	Monitor Key Unit	CWN8758
	20	Grille Assy	CXE7816
	23	Grille	CNU3016
	25	Holder	Not used
	26	Panel	Not used



**(1) EXTERIOR (2) SECTION PARTS LIST**

<u>Mark No.</u>	<u>Description</u>	<u>Part No.</u>	<u>Mark No.</u>	<u>Description</u>	<u>Part No.</u>
1	Screw	BSZ26P060FTC	9	Screw	BPZ26P080FTC
2	Cord Assy	See Contrast table (2)	10	Holder	CND7250
3	Card Remote Control Unit	See Contrast table (2)			
4	Battery Cover	See Contrast table (2)	⚠ 11	Fuse(10 A)	YEK5001
5	Chassis	CNA3310	12	BT Module	YWX5057
			13	Shield Case	YNC5123
6	Bracket	CND6985	14	Holder	CND7260
7	Bracket	CND6986	15	Sheet	CNN5016
8	Mother Unit	See Contrast table (2)			

**(2) CONTRAST TABLE**

AVH-270BT/XNUC, AVH-270BT/XNEW5, AVH-275BT/XNRC, AVH-275BT/XNRD, AVH-275BT/XNRI, and AVH-279BT/XNID are constructed the same except for the following:

Mark	No.	Description	AVH-270BT/ XNUC	AVH-270BT/ XNEW5	AVH-275BT/ XNRC	AVH-275BT/ XNRD	AVH-275BT/ XNRI
	2	Cord Assy	CDP1696	CDP1697	CDP1696	CDP1696	CDP1696
	3	Card Remote Control Unit	Not used	Not used	CXE5116	Not used	CXE5116
	4	Battery Cover	Not used	Not used	CNU1624	Not used	CNU1624
	8	Mother Unit	CWN8743	CWN8742	CWN8745	CWN8746	CWN8747

Mark	No.	Description	AVH-279BT/ XNID
	2	Cord Assy	CDP1696
	3	Card Remote Control Unit	CXE5116
	4	Battery Cover	CNU1624
	8	Mother Unit	CWN8748

# 9.4 DVD MECHANISM MODULE (1)

A

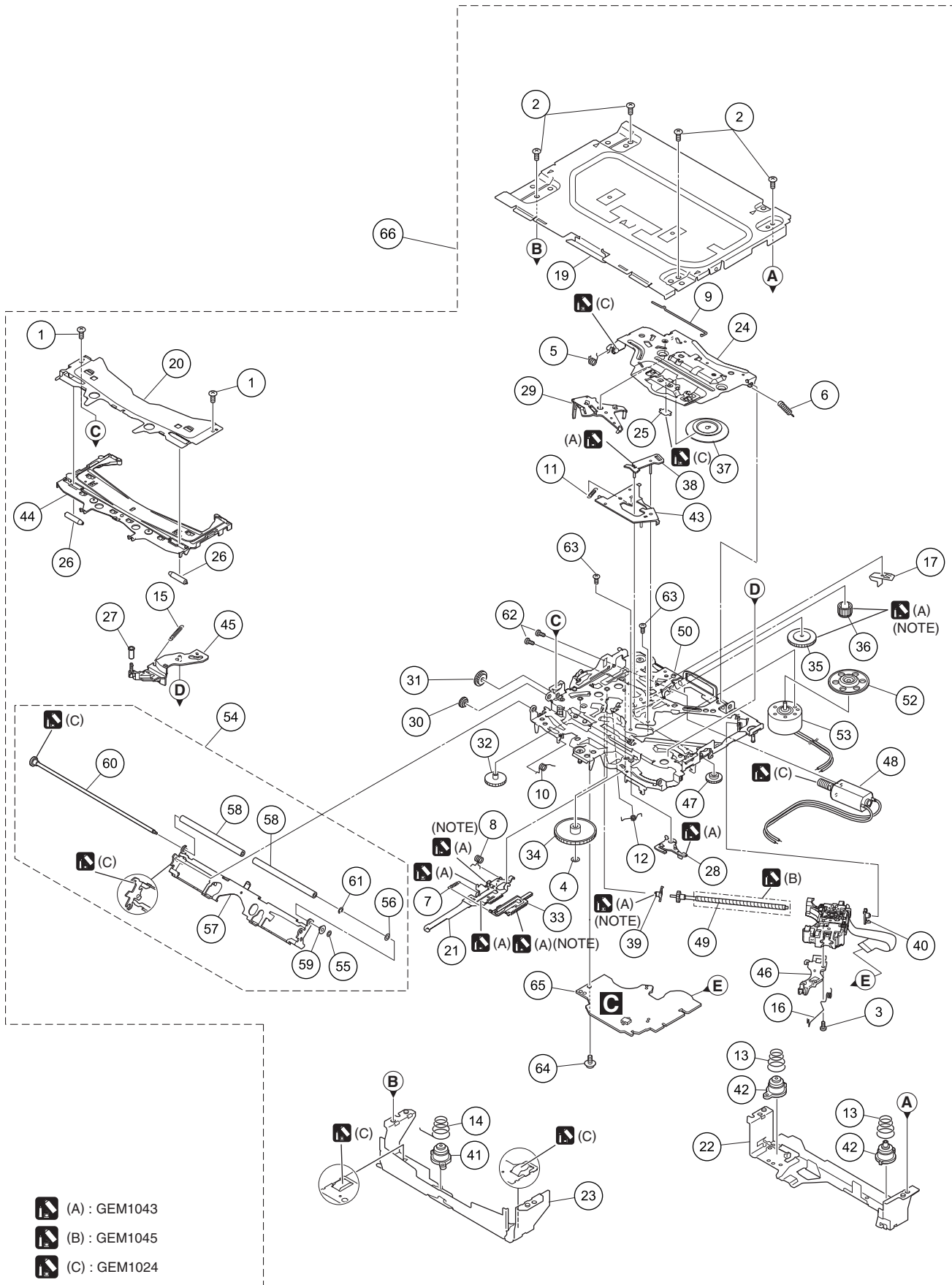
B

C

D

E

F



(NOTE) Apply grease to the whole part.



# 12. ELECTRICAL PARTS LIST

**NOTE:**

- Parts whose parts numbers are omitted are subject to being not supplied.
- The part numbers shown below indicate chip components.

Chip Resistor

RS1/○S○○○○J,RS1/○○S○○○○J

Chip Capacitor (except for CQS.....)

CKS....., CCS....., CSZS.....

- The  $\triangle$  mark found on some component parts indicates the importance of the safety factor of the part. Therefore, when replacing, be sure to use parts of identical designation.
- Meaning of the figures and others in the parentheses in the parts list.  
Example) IC 301 is on the point (face A, 91 of x-axis, and 111 of y-axis) of the corresponding PC board.

IC 301 (A, 91, 111) IC NJM2068V

- The expression of the unit in this manual is shown by u instead of  $\mu$ . Please do not make a mistake.

<u>Circuit Symbol and No.</u>	<u>Part No.</u>	<u>Circuit Symbol and No.</u>	<u>Part No.</u>
<b>A:AVH-270BT/XNUC</b>		<b><u>MISCELLANEOUS</u></b>	
<b>B:AVH-270BT/XNEW5</b>		IC 101 (B,58,66) Regulator IC	NJW4181U3-33B
<b>C:AVH-275BT/XNRC</b>		IC 111 (A,77,75) Regulator IC	NJW4184DL3-08A
<b>D:AVH-275BT/XNRD</b>		IC 151 (B,69,42) Regulator IC	S-1172B33-E6
<b>E:AVH-275BT/XNRI</b>		IC 161 (B,78,38) Regulator IC	MM3479A13P
<b>F:AVH-279BT/XNID</b>		IC 201 (A,74,25) Regulator IC	MM3479A33P
<b>Unit Number : CWN8743(A)</b>		IC 211 (B,38,68) Regulator IC	MM3571A33P
<b>Unit Number : CWN8742(B)</b>		IC 231 (B,137,75) IC	S-1200B50-M5
<b>Unit Number : CWN8745(C)</b>		IC 232 (B,43,26) Regulator IC	MM3571A33P
<b>Unit Number : CWN8746(D)</b>		IC 241 (B,51,26) Regulator IC	MM3479A18P
<b>Unit Number : CWN8747(E)</b>		IC 271 (B,162,15) IC	NJM2886DL3-05
<b>Unit Number : CWN8748(F)</b>		IC 301 (B,155,43) IC	AN33012UA
<b>Unit Name : Mother Unit</b>		IC 401 (A,52,47) Flash Blank UC IC	MN103LF15RXW
<b>Unit Number : CWN8758</b>		IC 402 (A,55,65) Serial Flash Memory IC	MX25L1606EM2I-12G
<b>Unit Name : Monitor Key Unit</b>		IC 601 (B,117,41) AUD DSP SYS LSI	SPHE8202GQ-HL11P
<b>Unit Number :</b>		IC 701 (B,122,62) IC(A,B,C,D,E)	337S3959
<b>Unit Name : Relay Unit</b>		IC 721 (A,112,28) Flash ROM Unit(A)	CWJ1665
		(A,112,28) Flash ROM Unit(B)	CWJ1666
		(A,112,28) Flash ROM Unit(C)	CWJ1668
		(A,112,28) Flash ROM Unit(D)	CWJ1669
		(A,112,28) Flash ROM Unit(E)	CWJ1670
		(A,112,28) Flash ROM Unit(F)	CWJ1671
		IC 741 (A,108,45) RAM IC	A3V28S40JTP-60
		IC 821 (B,133,23) Logic IC	74VHC4053AFT
		IC 822 (B,136,31) Logic IC	74VHC4053AFT
		IC 861 (B,99,20) IC	BA5839FP
		IC 1111 (A,135,79) V AMP IC	BH7673G
		IC 1112 (A,126,61) V AMP IC	BH7673G
		IC 1113 (A,129,79) V AMP IC	BH7673G
		IC 1131 (A,127,70) Video Driver IC	NJM41050V
		IC 1132 (A,135,73) V SW IC	NJM41010F1
<b>A</b>		IC 1201 (B,91,75) IC	PM9012A
<b>Unit Number : CWN8743(A)</b>		IC 1251 (B,103,63) OP AMP IC	NJM8065RB1
<b>Unit Number : CWN8742(B)</b>		IC 1252 (B,79,64) OP AMP IC	NJM8065RB1
<b>Unit Number : CWN8745(C)</b>		IC 1301 (A,89,121) Power AMP IC	PA2032A
<b>Unit Number : CWN8746(D)</b>		IC 2201 (A,21,79) Tuner IC	TEF6686HN
<b>Unit Number : CWN8747(E)</b>		IC 2401 (B,162,80) DC/DC CONV IC	AN33014UA
<b>Unit Number : CWN8748(F)</b>		Q 301 (A,161,46) Power MOS FET	ATP112-H
<b>Unit Name : Mother Unit</b>		Q 302 (A,149,46) Power MOS FET	ATP112-H
		Q 501 (A,16,41) Chip Transistor	HN1C03FU

	1	2	3	4
	<u>Circuit Symbol and No.</u>	<u>Part No.</u>	<u>Circuit Symbol and No.</u>	<u>Part No.</u>
	Q 502 (A,25,46) Transistor	UMF5N		
	Q 503 (A,25,41) Transistor	UMF5N	L 721 (A,105,28) Inductor	CTF1786
	Q 601 (B,131,61) Chip Transistor	RN4982	L 741 (A,109,32) Inductor	CTF1786
A	Q 602 (B,131,57) Chip Transistor	HN1C01FU	L 901 (A,149,62) Choke Coil 10 uH	CTH1486
	Q 701 (B,116,62) Bipolar TR	LSAR523UB	L 902 (A,58,96) Choke Coil 600 uH	CTH1221
	Q 841 (B,119,14) Transistor	2SAR293PGZE	L 2202 (A,16,96) Inductor	CTF1389
	Q 842 (B,126,14) Transistor	2SAR293PGZE	L 2204 (A,24,99) Inductor	LCMAR27J1608
	Q 843 (B,145,10) Bipolar TR	LSCR523UB	L 2206 (A,16,90) Inductor	LCYC150K1608
	Q 844 (B,146,16) Bipolar TR	LSCR523UB	L 2401 (A,160,73) SMD SPL Inductor	CTH1524
	Q 845 (B,140,16) Bipolar TR	LSCR523UB	L 2402 (A,165,72) Inductor	CTF1793
	Q 846 (B,140,12) Bipolar TR	LSCR523UB	L 3191 (B,154,90) Inductor	CTF1713
	Q 910 (A,46,71) Chip Transistor	HN1C01FU	X 401 (A,34,47) Crystal Resonator 12.500 MHz	CSS1839
	Q 920 (B,44,65) Resistor Built-IN TR	LTC014EEB	X 601 (B,134,40) Resonator 27.000 MHz	CSS1768
	Q 930 (B,53,86) Bipolar TR	LSCR523UB	X 2201 (A,31,84) Crystal Resonator 9.216 MHz	CSS1867
B	Q 950 (B,38,76) Bipolar TR	LSAR523UB	△P301 (A,65,19) Fuse 750 mA	CEK1380
	Q 1251 (A,94,66) Bipolar TR	LSCR523UB	P 2202 (B,22,103) Surge Absorber	IMSA-6803-01Y900
	Q 1301 (A,74,87) Bipolar TR	LSCR523UB	P 3121 (A,36,113) Poly Switch	FSMD075-24R
	Q 1302 (B,72,85) Transistor	RN4987	P 3151 (B,125,88) Poly Switch	FSMD075-24R
	Q 1304 (B,76,87) Chip Transistor	RN1903	P 3161 (B,125,94) Poly Switch	FSMD075-24R
	Q 3121 (A,31,60) Chip Transistor(C,D,E,F)	RN4982	BZ401 (A,23,61) Buzzer	KPM1062
	Q 3122 (A,31,54) Chip Transistor(C,D,E,F)	RN4982	U 2901 (A,48,16) BT Module	YWXS5057- /YN
	Q 3123 (A,35,60) Chip Transistor(C,D,E,F)	RN4982	CN801 (A,118,11) 30P Connector	VKN1620
	Q 3124 (A,35,54) Chip Transistor(C,D,E,F)	RN4982	CN2901 (A,48,16) B TO B Connector	CKS6346
	Q 3161 (B,112,81) Chip Transistor	HN1C01FU	CN3201 (A,82,15) FFC/FPC Connector	CKS6672
C	Q 3162 (B,105,81) Chip Transistor	HN1C01FU	JA901 (A,55,122) Connector	CKM1613
	D 101 (A,67,87) Diode	D1F60-5053	JA2201 (A,14,116) Antenna Jack	YKS5041
	D 161 (B,77,48) Diode	D1F60-5053	JA3101 (A,143,117) 3.5 DIA Jack	CKN1106
	D 162 (B,80,48) Diode	D1F60-5053	JA3122 (A,28,123) Jack	YKS5035
	D 301 (A,159,37) Diode	RB056L-40	JA3151 (A,156,115) Jack	CKB1108
	D 302 (A,151,37) Diode	RB056L-40	JA3161 (A,123,112) Jack	CKM1109
	D 402 (A,39,60) Schottky Diode	DB2J31400	JA3191 (A,169,98) USB Jack	CKN1097
	D 403 (B,49,61) Schottky Diode	DB2J31400	VL2201 (A,22,91) Variable Coil	CTC1216
	D 501 (A,18,39) Rectifier Diode	DA2J101	<b>RESISTORS</b>	
	D 901 (A,149,68) Diode	RB080L-30	R 151 (A,102,29)	RS1/10SR0R0J
	D 902 (A,69,105) Diode	D1F60-5053	R 152 (B,132,50)	RS1/10SR0R0J
D	D 903 (A,69,108) Diode	D1F60-5053	R 153 (B,127,57)	RS1/10SR0R0J
	D 911 (A,47,77) Diode	DZ2J062M0	R 154 (A,126,42)	RS1/10SR0R0J
	D 912 (A,49,77) Diode	DZ2J068M0	R 156 (A,125,38)	RS1/10SR0R0J
	D 920 (B,50,64) Rectifier Diode	DA2J101	R 161 (B,83,31)	RS1/10SR0R0J
	D 930 (B,57,86) Diode	DZ2J056M0	R 162 (A,122,39)	RS1/16SS0R0J
	D 940 (A,42,87) Diode	CRG03	R 271 (B,153,18)	RS1/8SQ0R0J
	D 950 (B,38,80) Rectifier Diode	DA2J101	R 301 (B,162,36)	RS1/10SR0R0J
	D 1301 (A,68,80) Rectifier Diode	DA2J101	R 303 (B,161,39)	RS1/16SS511J
	D 1303 (A,71,86) Diode	DZ2J082M0	R 304 (B,162,39)	RS1/16SS2702D
	D 1304 (B,68,86) Rectifier Diode	DA2J101	R 305 (B,163,41)	RS1/16SS1101D
E	D 2201 (A,16,100) Diode	EZAEG2A50AX	R 306 (B,163,39)	RS1/16SS2701D
	D 2202 (A,25,101) Diode	EZAEG2A50AX	R 307 (B,163,42)	RS1/16SS153J
	D 2401 (A,151,74) Diode	D1F60-5053	R 308 (B,157,37)	RS1/16SS103J
	D 2402 (A,169,72) Diode	RB060M-30	R 310 (B,158,49) 12 mohm	CCN1321
	D 3101 (B,133,100) Diode	DZ2S068C	R 311 (B,159,37)	RS1/16SS204J
	D 3102 (B,140,96) Diode	DZ2S068C	R 312 (B,160,37)	RS1/16SS394J
	D 3103 (B,135,98) Diode	DZ2S068C	R 313 (B,151,49) 12 mohm	CCN1321
	D 3191 (B,159,91) Diode	EZAEG2A50AX	R 314 (B,155,37)	RS1/16SS224J
	D 3192 (B,159,89) Diode	EZAEG2A50AX	R 315 (B,148,42)	RS1/16SS123J
	L 301 (A,161,27) Inductor	CTH1254	R 316 (B,148,39)	RS1/16SS1002F
F	L 302 (A,148,27) Inductor	CTH1253	R 317 (B,148,38)	RS1/16SS0R0J
	L 601 (A,124,54) Inductor	LCTC2R2K1608	R 318 (B,148,41)	RS1/16SS3302D
	L 602 (A,87,24) Inductor	LCTC2R2K1608	R 319 (B,147,40)	RS1/16SS561J
	L 603 (A,90,24) Inductor	LCTC2R2K1608		
	L 604 (A,94,25) Inductor	LCTC2R2K1608		

5		6		7		8	
<u>Circuit Symbol and No.</u>		<u>Part No.</u>		<u>Circuit Symbol and No.</u>		<u>Part No.</u>	
R 321	(B,145,40)	RS1/10SR0R0J		R 467	(B,49,56)	RS1/16SS183J	
R 322	(A,75,43)	RS1/16SS473J		R 468	(A,35,40)	RS1/16SS102J	
R 323	(A,76,43)	RS1/16SS473J		R 469	(A,50,64)	RS1/16SS473J	A
R 324	(A,161,7)	RS1/10SR0R0J		R 470	(A,61,66)	RS1/16SS473J	
R 401	(A,51,68)	RS1/16SS473J		R 501	(A,15,39)	RS1/16SS102J	
R 402	(A,57,61)	RS1/16SS473J		R 502	(A,16,43)	RS1/16SS102J	
R 403	(B,49,71)	RS1/16SS473J		R 503	(A,18,41)	RS1/16SS222J	
R 406	(B,56,40)	RS1/16SS473J		R 504	(A,13,42)	RS1/16SS222J	
R 407	(B,52,39)	RS1/16SS473J		R 505	(A,28,45)	RS1/16SS103J	
R 408	(B,57,36)	RS1/16SS473J		R 506	(A,28,47)	RS1/16SS103J	
R 410	(B,54,64)	RS1/16SS0R0J		R 507	(A,28,40)	RS1/16SS103J	
R 411	(A,36,47)	RS1/16SS0R0J		R 508	(A,28,42)	RS1/16SS103J	
R 412	(A,43,60)	RS1/16SS473J		R 509	(A,23,45)	RS1/16SS105J	
R 413	(A,38,59)	RS1/16SS103J		R 510	(A,24,39)	RS1/16SS105J	
R 414	(A,37,41)	RS1/16SS102J		R 601	(B,107,31)	RS1/16SS221J	B
R 415	(B,42,42)	RS1/16SS473J		R 602	(B,107,30)	RS1/16SS473J	
R 416	(B,36,41)	RS1/16SS104J		R 603	(B,105,31)	RS1/16SS103J	
R 417	(A,70,54) (C,D)	RS1/16SS104J		R 604	(B,107,32)	RS1/16SS103J	
R 418	(A,67,54) (B,E,F)	RS1/16SS104J		R 605	(B,105,33)	RS1/16SS103J	
R 419	(A,70,55) (D,F)	RS1/16SS104J		R 606	(A,105,31)	RS1/16SS473J	
R 420	(A,67,55) (B,C,E)	RS1/16SS104J		R 607	(A,106,33)	RS1/16SS221J	
R 421	(A,70,57)	RS1/16SS104J		R 608	(B,118,60)	RS1/16SS473J	
R 423	(A,33,40)	RS1/16SS101J		R 609	(B,120,58)	RS1/16SS473J	
R 424	(A,49,33)	RS1/16SS101J		R 611	(A,125,50)	RS1/16SS1001D	
R 425	(A,51,33)	RS1/16SS101J		R 612	(A,124,52)	RS1/16SS3000D	C
R 426	(B,57,41)	RS1/16SS101J		R 613	(A,84,24)	RS1/16SS0R0J	
R 427	(A,56,34)	RS1/16SS101J		R 616	(B,131,40)	RS1/16SS105J	
R 428	(A,58,34)	RS1/16SS561J		R 617	(B,129,40)	RS1/16SS152J	
R 429	(A,66,38)	RS1/16SS471J		R 618	(B,127,38)	RS1/16SS103J	
R 430	(A,67,51)	RS1/16SS101J		R 619	(A,123,34)	RS1/16SS0R0J	
R 431	(B,57,42)	RS1/16SS101J		R 620	(A,120,33)	RS1/16SS223J	
R 432	(A,67,38)	RS1/16SS822J		R 621	(A,119,32)	RS1/16SS223J	
R 433	(A,49,60)	RS1/16SS101J		R 622	(A,118,32)	RS1/16SS222J	
R 434	(A,52,59)	RS1/16SS101J		R 623	(B,115,24)	RS1/16SS222J	
R 435	(A,61,64)	RS1/16SS101J		R 624	(B,112,22)	RS1/16SS103J	
R 436	(A,39,48)	RS1/16SS102J		R 625	(B,112,23)	RS1/16SS101J	D
R 438	(A,37,39)	RS1/16SS473J		R 626	(B,113,24)	RS1/16SS101J	
R 439	(B,29,37)	RS1/16SS473J		R 627	(B,108,47)	RS1/16SS560J	
R 440	(B,39,37)	RS1/16SS473J		R 628	(B,110,25)	RS1/16SS472J	
R 441	(B,33,38)	RS1/16SS473J		R 629	(B,132,59)	RS1/16SS472J	
R 442	(B,22,40)	RS1/16SS102J		R 630	(B,130,59)	RS1/16SS472J	
R 443	(A,66,45)	RS1/16SS473J		R 631	(B,132,63)	RS1/16SS102J	
R 444	(A,66,44)	RS1/16SS473J		R 632	(B,129,61)	RS1/16SS471J	
R 445	(A,66,49)	RS1/16SS473J		R 633	(B,106,37)	RS1/16SS101J	
R 446	(B,64,50)	RS1/16SS473J		R 634	(B,105,38)	RS1/16SS101J	
R 447	(B,62,68)	RS1/16SS473J		R 635	(B,107,37)	RS1/16SS104J	
R 448	(B,62,69)	RS1/16SS104J		R 636	(B,119,55)	RS1/16SS0R0J	E
R 449	(B,46,55)	RS1/16SS471J		R 637	(B,128,51)	RS1/16SS821J	
R 450	(B,45,55)	RS1/16SS471J		R 638	(B,128,52)	RS1/16SS821J	
R 451	(B,49,54)	RS1/16SS472J		R 639	(B,134,61)	RS1/16SS223J	
R 452	(B,49,53)	RS1/16SS472J		R 640	(B,128,62)	RS1/16SS223J	
R 453	(B,47,61)	RS1/16SS103J		R 641	(A,87,26)	RS1/16SS3000D	
R 454	(B,48,48)	RS1/16SS473J		R 642	(A,89,26)	RS1/16SS3000D	
R 455	(B,52,62)	RS1/16SS473J		R 643	(A,93,27)	RS1/16SS3000D	
R 458	(B,63,43)	RS1/16SS473J		R 701	(B,116,59) (A,B,C,D,E)	RS1/16SS473J	
R 460	(B,59,56)	RS1/16SS473J		R 702	(B,117,60) (A,B,C,D,E)	RS1/16SS472J	
R 461	(A,45,63)	RS1/16SS1002D		R 703	(B,121,60) (A,B,C,D,E)	RS1/16SS222J	F
R 464	(A,70,53) (E,F)	RS1/16SS104J		R 704	(B,123,60) (A,B,C,D,E)	RS1/16SS222J	
R 465	(A,67,53) (B,C,D)	RS1/16SS104J		R 705	(B,118,63) (A,B,C,D,E)	RS1/16SS183J	
R 466	(B,47,56)	RS1/16SS0R0J		R 706	(B,125,62) (A,B,C,D,E)	RS1/16SS101J	

	1	2	3	4
	<u>Circuit Symbol and No.</u>	<u>Part No.</u>	<u>Circuit Symbol and No.</u>	<u>Part No.</u>
	R 707 (B,118,58) (A,B,C,D,E)	RS1/16SS101J	R 885 (B,140,10)	RS1/16SS104J
	R 708 (B,119,60) (A,B,C,D,E)	RS1/16SS221J	R 886 (B,142,14)	RS1/16SS101J
A	R 721 (B,108,28)	RS1/16SS101J	R 887 (B,138,12)	RS1/16SS470J
	R 722 (B,108,29)	RS1/16SS101J	R 888 (B,147,9)	RS1/16SS5100F
	R 723 (A,106,31)	RS1/16SS473J	R 889 (B,141,12)	RS1/16SS121J
	R 724 (A,114,24)	RS1/16SS473J	R 890 (B,138,17)	RS1/16SS104J
	R 725 (A,109,24)	RS1/16SS473J	R 891 (B,138,14)	RS1/16SS104J
	R 726 (B,112,28)	RS1/16SS0R0J	R 892 (B,136,18)	RS1/16SS103J
	R 727 (B,111,28)	RS1/16SS101J	R 893 (B,136,16)	RS1/16SS103J
	R 741 (A,97,38)	RAB4CQ330J	R 894 (B,145,13)	RS1/16SS0R0J
	R 742 (A,97,42)	RAB4CQ330J	R 895 (B,146,12)	RS1/16SS0R0J
	R 746 (A,117,39)	RAB4CQ330J	R 911 (A,47,73)	RS1/16SS103J
	R 747 (A,118,42)	RAB4CQ330J	R 913 (A,47,75)	RS1/16SS473J
B	R 801 (A,115,22)	RS1/16SS561J	R 914 (A,47,81)	RS1/16SS472J
	R 802 (B,114,21)	RS1/16SS681J	R 915 (A,49,73)	RS1/16SS104J
	R 815 (B,129,17)	RS1/16SS105J	R 916 (A,49,75)	RS1/16SS473J
	R 816 (B,128,18)	RS1/16SS105J	R 917 (A,44,82)	RS1/4SA102J
	R 821 (B,150,19)	RS1/10SR0R0J	R 920 (B,47,64)	RS1/16SS103J
	R 822 (A,118,16)	RS1/16SS0R0J	R 921 (B,50,66)	RS1/16SS472J
	R 823 (B,141,30)	RS1/16SS0R0J	R 922 (B,48,68)	RS1/4SA102J
	R 824 (B,131,19)	RS1/16SS0R0J	R 930 (B,55,85)	RS1/16SS473J
	R 825 (A,119,16)	RS1/16SS0R0J	R 931 (B,55,87)	RS1/16SS104J
	R 826 (B,138,27)	RS1/16SS0R0J	R 932 (B,59,86)	RS1/16SS472J
	R 827 (B,138,23)	RS1/16SS0R0J	R 933 (B,55,90)	RS1/4SA102J
C	R 841 (B,145,14)	RS1/16SS4300F	R 950 (B,38,73)	RS1/16SS102J
	R 842 (B,144,12)	RS1/16SS4300F	R 951 (B,39,75)	RS1/16SS473J
	R 843 (B,119,21)	RS1/16SS3R3J	R 952 (B,37,78)	RS1/16SS223J
	R 844 (B,124,22)	RS1/16SS3R3J	R 953 (B,37,82)	RS1/16SS103J
	R 845 (B,121,22)	RS1/10SR3R3J	R 1114 (B,140,90)	RS1/10SR101J
	R 846 (B,121,21)	RS1/10SR2R2J	R 1115 (B,138,90)	RS1/10SR101J
	R 847 (B,121,19)	RS1/10SR2R2J	R 1117 (B,131,90)	RS1/10SR101J
	R 848 (B,121,18)	RS1/10SR3R3J	R 1118 (B,129,90)	RS1/10SR101J
	R 849 (B,125,19)	RS1/10SR3R3J	R 1131 (A,128,76)	RS1/16SS0R0J
	R 850 (B,130,15)	RS1/10SR1R8J	R 1132 (A,127,64)	RS1/16SS0R0J
	R 851 (B,130,13)	RS1/10SR1R8J	R 1133 (A,133,77)	RS1/16SS0R0J
D	R 852 (B,131,13)	RS1/10SR3R3J	R 1134 (A,121,68)	RS1/16SS563J
	R 861 (B,93,11)	RS1/16SS163J	R 1135 (A,121,69)	RS1/16SS563J
	R 862 (B,93,12)	RS1/16SS183J	R 1136 (A,131,66)	RS1/16SS473J
	R 863 (B,95,12)	RS1/16SS822J	R 1139 (A,127,76)	RS1/16SS0R0J
	R 864 (B,95,13)	RS1/16SS752J	R 1140 (A,120,68)	RS1/16SS564J
	R 865 (B,102,13)	RS1/16SS221J	R 1141 (A,124,57)	RS1/16SS3000D
	R 866 (B,105,9)	RS1/16SS5102D	R 1142 (A,120,69)	RS1/16SS564J
	R 867 (B,108,10)	RS1/16SS5102D	R 1201 (B,98,79)	RS1/16SS221J
	R 868 (B,105,10)	RS1/8SQ1R0J	R 1202 (B,98,80)	RS1/16SS221J
	R 869 (B,105,12)	RS1/16SS0R0J	R 1203 (B,98,81)	RS1/16SS221J
E	R 870 (B,106,12)	RS1/16SS0R0J	R 1251 (A,94,63)	RS1/16SS471J
	R 871 (B,107,12)	RS1/16SS0R0J	R 1252 (A,90,67)	RS1/16SS103J
	R 872 (B,108,12)	RS1/16SS0R0J	R 1253 (A,94,68)	RS1/16SS682J
	R 873 (B,93,27)	RS1/16SS473J	R 1254 (B,107,60)	RS1/16SS113J
	R 874 (B,93,28)	RS1/16SS113J	R 1255 (B,107,61)	RS1/16SS102J
	R 875 (B,96,27)	RS1/16SS473J	R 1256 (B,109,61)	RS1/16SS183J
	R 876 (B,96,28)	RS1/16SS113J	R 1257 (B,110,65)	RS1/16SS113J
	R 877 (B,102,27)	RS1/16SS221J	R 1258 (B,108,63)	RS1/16SS102J
	R 878 (A,107,7)	RS1/16SS3902D	R 1259 (B,108,64)	RS1/16SS183J
	R 879 (B,105,7)	RS1/16SS3902D	R 1260 (B,98,61)	RS1/16SS102J
	R 880 (B,143,15)	RS1/16SS104J	R 1261 (B,97,63)	RS1/16SS102J
F	R 881 (B,142,15)	RS1/16SS0R0J	R 1262 (B,96,61)	RS1/16SS183J
	R 882 (B,141,10)	RS1/16SS0R0J	R 1263 (B,97,64)	RS1/16SS183J
	R 883 (B,144,17)	RS1/16SS5600F	R 1264 (B,98,60)	RS1/16SS113J
	R 884 (B,142,17)	RS1/16SS470J	R 1265 (B,95,64)	RS1/16SS113J

5		6		7		8	
<u>Circuit Symbol and No.</u>		<u>Part No.</u>		<u>Circuit Symbol and No.</u>		<u>Part No.</u>	
R 1266	(B,86,62)	RS1/16SS113J		R 2908	(B,31,27)	RS1/16SS0R0J	
R 1267	(B,84,62)	RS1/16SS102J		R 2909	(B,33,25)	RS1/16SS0R0J	
R 1268	(B,83,61)	RS1/16SS183J		R 2910	(A,52,7)	RS1/16SS102J	A
R 1269	(B,86,64)	RS1/16SS113J		R 2911	(A,52,8)	RS1/16SS102J	
R 1270	(B,84,64)	RS1/16SS102J		R 2912	(B,30,22)	RS1/16SS222J	
R 1271	(B,84,65)	RS1/16SS183J		R 2913	(B,34,23)	RS1/16SS222J	
R 1272	(B,74,63)	RS1/16SS102J		R 2914	(B,35,21)	RS1/16SS0R0J	
R 1273	(B,74,64)	RS1/16SS102J		R 3102	(B,100,66)	RS1/10SR331J	
R 1274	(B,74,62)	RS1/16SS183J		R 3103	(B,133,90)	RS1/10SR101J	
R 1275	(B,74,65)	RS1/16SS183J		R 3104	(B,136,90)	RS1/10SR101J	
R 1276	(B,73,61)	RS1/16SS113J		R 3106	(B,134,88)	RS1/16SS223J	
R 1277	(B,73,65)	RS1/16SS113J		R 3107	(B,136,88)	RS1/16SS223J	
R 1302	(A,67,82)	RS1/16SS103J		R 3108	(B,131,96)	RS1/16SS750J	
R 1303	(A,72,85)	RS1/16SS104J		R 3127	(A,39,57)	RS1/16SS1001D	B
R 1304	(A,72,84)	RS1/16SS473J		R 3128	(A,37,57)	RS1/16SS1001D	
R 1305	(B,69,88)	RS1/16SS102J		R 3129	(A,33,59) (C,D,E,F)	RS1/16SS6800D	
R 1307	(B,36,91)	RS1/16SS473J		R 3130	(A,30,55) (C,D,E,F)	RS1/16SS6800D	
R 1308	(B,37,91)	RS1/16SS102J		R 3132	(A,33,55) (C,D,E,F)	RS1/16SS8201D	
R 1309	(B,78,84)	RS1/16SS683J		R 3133	(A,36,57) (C,D,E,F)	RS1/16SS8201D	
R 1310	(B,78,88)	RS1/16SS683J		R 3151	(A,125,73)	RS1/16SS75R0D	
R 1311	(B,78,86)	RS1/16SS152J					
R 1312	(A,40,48)	RS1/16SS103J		R 3152	(B,144,92)	RS1/16SS750J	
R 1313	(B,80,85)	RS1/16SS101J		R 3161	(B,110,81)	RS1/16SS821J	
R 1314	(B,46,48)	RS1/16SS0R0J		R 3162	(B,110,83)	RS1/16SS223J	
R 2201	(A,39,95)	RS1/10SR0R0J		R 3163	(B,112,78)	RS1/16SS472J	
R 2202	(A,25,75)	RS1/16SS101J		R 3164	(B,114,83)	RS1/16SS223J	C
R 2203	(A,14,99)	RS1/16SS105J		R 3165	(B,113,78)	RS1/16SS472J	
R 2204	(A,14,98)	RS1/16SS105J		R 3166	(B,115,81)	RS1/16SS821J	
R 2205	(A,14,90)	RS1/16SS391J		R 3167	(B,102,81)	RS1/16SS821J	
R 2206	(A,21,85)	RS1/16SS0R0J		R 3168	(B,103,83)	RS1/16SS223J	
R 2207	(A,20,85)	RS1/16SS0R0J		R 3169	(B,104,78)	RS1/16SS472J	
R 2211	(A,28,78)	RS1/16SS103J		R 3170	(B,105,78)	RS1/16SS472J	
R 2212	(A,27,78)	RS1/16SS103J		R 3171	(B,107,83)	RS1/16SS223J	
R 2216	(A,24,75)	RS1/16SS101J		R 3172	(B,107,81)	RS1/16SS821J	
R 2220	(A,25,72)	RS1/16SS472J		<b>CAPACITORS</b>			
R 2221	(A,24,72)	RS1/16SS472J		C 114	(A,58,74)	XCEAT102M16	D
R 2222	(B,33,66)	RS1/10SR0R0J		C 115	(B,54,66)	CKSRYB104K10	
R 2225	(B,21,76)	RS1/10SR0R0J		C 117	(B,57,61) 47 uF	CCG1256	
R 2401	(B,159,85)	RS1/16SS152J		C 121	(A,78,83) 10 uF	CCG1393	
R 2402	(A,167,92)	RS1/10SR471J		C 123	(A,72,82) 4.7 uF	CCG1331	
R 2403	(B,159,86)	RS1/16SS3302D		C 155	(B,70,47) 4.7 uF	CCG1201	
R 2404	(B,157,86)	RS1/16SS0R0J		C 157	(B,70,38) 4.7 uF	CCG1201	
R 2405	(B,155,86)	RS1/16SS0R0J		C 160	(A,102,27) 10 uF	CCG1244	
R 2406	(B,154,86)	RS1/16SS8201D		C 165	(B,79,42) 1 uF	DCH1246	
R 2407	(A,167,93)	RS1/10SR471J		C 167	(B,78,34) 1 uF	DCH1246	
R 2408	(A,167,89)	RS1/10SR471J		C 168	(B,74,40)	CKSSYB104K10	E
R 2409	(A,167,90)	RS1/10SR471J		C 201	(A,77,27)	CKSSYB104K10	
R 2410	(B,155,84)	RS1/16SS102J		C 203	(A,73,31) 1 uF	DCH1246	
R 2411	(B,156,79)	RS1/16SS0R0J		C 205	(A,74,22) 1 uF	DCH1246	
R 2412	(A,160,78) 56 mohm	ACN7160		C 211	(B,37,64)	CKSRYB474K16	
R 2413	(B,164,85)	RS1/16SS204J		C 212	(B,37,71)	CKSRYB474K16	
R 2415	(B,166,85)	RS1/16SS394J		C 233	(B,138,77)	CKSSYB104K10	
R 2417	(B,168,84)	RS1/16SS224J		C 234	(B,138,72)	CKSSYB104K10	
R 2418	(B,170,81)	RS1/16SS4702D		C 237	(B,44,30)	CKSRYB474K16	
R 2419	(B,168,82)	RS1/16SS104J		C 238	(B,44,22)	CKSRYB474K16	
R 2901	(B,49,21)	RS1/16SS102J		C 241	(B,56,28) 1 uF	DCH1246	F
R 2903	(A,46,21)	RS1/16SS0R0J		C 242	(B,56,25) 1 uF	DCH1246	
R 2904	(A,48,24)	RS1/16SS102J		C 243	(B,47,27)	CKSSYB104K10	
R 2905	(A,51,23)	RS1/16SS0R0J		C 274	(B,154,16) 2.2 uF	CCG1379	
R 2906	(A,42,18)	RS1/16SS101J					

	1	2	3	4
	<u>Circuit Symbol and No.</u>	<u>Part No.</u>	<u>Circuit Symbol and No.</u>	<u>Part No.</u>
	C 275 (B,154,14)	CKSRYB105K16	C 611 (B,124,54)	CKSSYB104K10
	C 301 (A,158,11)	CKSSYB102K50	C 612 (B,125,54)	CKSSYB104K10
A	C 302 (A,158,10)	CKSSYB104K10	C 613 (A,124,56)	CCSSCH180J50
	C 303 (A,159,16) 10 uF	CCG1192	C 614 (A,124,51)	CCSSCH150J50
	C 304 (A,159,13) 10 uF	CCG1192	C 615 (A,87,22)	CCSSCH101J50
	C 305 (A,159,19) 47 uF	CCG1233	C 616 (A,103,31)	CKSSYB104K10
	C 308 (B,155,51)	CKSRYB102K50	C 617 (A,89,22)	CCSSCH101J50
	C 309 (B,161,40)	CCSSCH561J50	C 619 (A,93,24)	CCSSCH101J50
	C 311 (B,162,54) 10 uF	CCG1236	C 621 (A,125,54)	CCSSCH150J50
	C 312 (B,156,37)	CKSSYB104K10	C 622 (A,86,24)	CCSSCH150J50
	C 313 (B,160,54) 10 uF	CCG1236	C 623 (A,89,24)	CCSSCH150J50
	C 314 (B,163,43)	CKSSYB822K16	C 624 (A,92,25)	CCSSCH150J50
	C 315 (B,164,54) 10 uF	CCG1236	C 625 (B,129,50)	CKSRYB105K10
B	C 316 (B,161,42)	CCSSCH8R0D50	C 626 (B,127,49)	CKSSYB104K10
	C 317 (B,163,44)	CKSSYB104K16	C 627 (B,128,47)	CKSSYB104K10
	C 318 (B,150,44)	CKSSYB104K16	C 628 (A,122,41)	CKSSYB104K10
	C 319 (B,150,42)	CCSSCH8R0D50	C 629 (A,122,42)	CKSSYB104K10
	C 320 (B,148,43)	CKSSYB103K16	C 630 (A,124,42)	CKSSYB104K10
	C 321 (B,154,37)	CKSSYB104K10	C 631 (B,132,40)	CCSSCH120J50
	C 322 (B,150,40)	CKSRYB105K10	C 632 (B,137,40)	CCSSCH120J50
	C 323 (B,148,40)	CKSSYB471K50	C 633 (A,124,40)	CKSSYB104K10
	C 326 (A,151,19) 47 uF	CCG1233	C 634 (A,122,40)	CKSSYB104K10
	C 327 (A,151,16) 10 uF	CCG1192	C 635 (A,125,36)	CKSSYB103K16
	C 328 (A,151,13) 10 uF	CCG1192	C 636 (A,125,35)	CKSSYB103K16
C	C 329 (A,152,11)	CKSSYB104K10	C 637 (A,125,34)	CKSSYB104K10
	C 330 (A,152,10)	CKSSYB102K50	C 638 (B,129,38)	CKSSYB104K10
	C 332 (A,168,33) 10 uF	CCG1192	C 639 (B,124,25)	CKSSYB104K10
	C 401 (B,52,65)	CKSSYB104K10	C 640 (B,124,23)	CKSSYB103K16
	C 402 (A,38,57) (C,D,E,F)	CKSSYB104K10	C 641 (B,124,24)	CKSSYB103K16
	C 403 (B,50,59) (C,D,E,F)	CKSSYB104K10	C 642 (B,116,25)	CKSSYB104K10
	C 405 (A,40,44)	CKSSYB104K10	C 643 (B,116,26)	CKSSYB103K16
	C 406 (A,60,35)	CKSSYB104K10	C 644 (B,116,27)	CKSSYB103K16
	C 407 (A,65,48)	CKSSYB104K10	C 645 (B,122,27) 4.7 uF	CCG1201
	C 408 (A,47,60)	CKSSYB104K10	C 646 (B,122,25)	CKSSYB104K10
D	C 409 (A,44,60)	CKSSYB104K10	C 647 (B,119,27) 4.7 uF	CCG1201
	C 410 (A,34,50)	CCSSCH8R0D50	C 648 (B,119,25)	CKSSYB104K10
	C 411 (A,36,45)	CCSSCH100D50	C 649 (A,120,30)	CKSSYB102K50
	C 413 (A,36,43)	CKSSYB104K10	C 650 (A,119,30)	CKSSYB102K50
	C 415 (A,38,41)	CKSSYB104K10	C 651 (A,118,30)	CKSSYB104K10
	C 420 (A,52,61)	CKSSYB104K10	C 652 (B,115,22)	CKSSYB104K10
	C 424 (A,60,31)	CKSRYB103K50	C 653 (B,132,53) 4.7 uF	CCG1201
	C 425 (A,47,62)	CKSSYB103K16	C 654 (B,129,55) 4.7 uF	CCG1201
	C 426 (A,38,39)	CKSSYB104K10	C 655 (A,87,27)	CCSSCH220J50
	C 427 (B,67,63)	CKSRYB104K16	C 656 (A,89,25)	CCSSCH220J50
E	C 428 (A,38,53)	CKSSYB102K50	C 657 (A,93,28)	CCSSCH220J50
	C 501 (A,16,44)	CKSSYB473K16	C 658 (A,108,6)	CKSSYB102K50
	C 502 (A,28,44)	CKSSYB104K10	C 659 (A,114,6)	CKSSYB102K50
	C 503 (A,22,45)	CKSSYB102K50	C 701 (B,119,63) (A,B,C,D,E)	CKSSYB104K10
	C 504 (A,24,38)	CKSSYB102K50	C 702 (B,119,62) (A,B,C,D,E)	CKSSYB102K50
	C 505 (A,16,39)	CKSSYB473K16	C 721 (A,106,26)	CKSSYB104K10
	C 601 (B,107,34)	CKSSYB104K10	C 741 (A,100,38)	CKSSYB104K10
	C 602 (B,106,34)	CKSSYB104K10	C 742 (A,100,43)	CKSSYB104K10
	C 603 (A,108,33)	CKSSYB103K16	C 743 (A,111,32)	CKSSYB104K10
	C 604 (B,102,37)	CKSSYB104K10	C 744 (A,112,33)	CKSSYB104K10
	C 605 (B,101,37)	CKSSYB104K10	C 745 (A,116,41)	CKSSYB104K10
F	C 607 (B,106,48)	CKSSYB104K10	C 746 (A,116,46)	CKSSYB104K10
	C 608 (B,105,48)	CKSSYB104K10	C 747 (A,115,57)	CKSSYB104K10
	C 609 (B,124,56)	CKSSYB104K10	C 801 (A,116,15)	CKSSYB103K16
	C 610 (B,123,55) 10 uF	CCG1192	C 802 (A,117,7)	CKSSYB103K16
			C 803 (A,122,27)	CKSRYB224K16

5		6		7		8	
<u>Circuit Symbol and No.</u>		<u>Part No.</u>		<u>Circuit Symbol and No.</u>		<u>Part No.</u>	
C 804	(A,124,27)	CKSRYB224K16		C 1216	(B,85,79)	CKSSYB104K16	
C 821	(B,131,32)	CKSSYB104K10		C 1219	(B,91,84) 10 uF	CCG1192	
C 822	(B,130,27)	CKSSYB104K10		C 1220	(B,89,84) 10 uF	CCG1192	
C 823	(B,129,36)	CKSSYB104K10		C 1222	(B,83,74)	CKSRYB105K10	A
C 841	(B,118,23) 10 uF	CCG1192		C 1223	(B,83,75)	CKSRYB105K10	
C 842	(B,117,19) 22 uF	DCH1256		C 1224	(B,100,76)	CKSRYB105K10	
C 843	(B,124,19) 22 uF	DCH1256		C 1225	(B,100,77)	CKSRYB105K10	
C 844	(B,119,18)	CKSSYB104K16		C 1226	(B,83,68)	CKSRYB105K10	
C 845	(B,125,22)	CKSSYB104K16		C 1227	(B,100,69)	CKSRYB105K10	
C 861	(A,104,21)	CEVW101M16		C 1252	(B,74,72) 10 uF	CCG1192	
C 862	(A,113,20) 4.7 uF	CCG1222		C 1253	(A,94,62)	CKSSYB104K10	
C 863	(A,111,20)	CCG1332		C 1256	(A,96,72)	CEVW101M16	
C 864	(A,114,20)	CKSSYB104K16		C 1257	(A,91,68) 10 uF	CCG1192	
C 865	(B,93,13)	CKSSYB473K16		C 1258	(B,107,62)	CCSSCH221J50	
C 866	(B,95,14)	CKSSYB224K6R3		C 1259	(B,107,63)	CCSSCH221J50	B
C 867	(B,105,14)	CKSSYB104K16		C 1260	(B,108,65) 10 uF	CCG1192	
C 868	(B,107,14)	CKSSYB104K16		C 1261	(B,110,63)	CKSSYB122K50	
C 869	(B,91,14)	CKSSYB104K16		C 1262	(B,105,60) 10 uF	CCG1192	
C 870	(B,103,14)	CKSSYB104K16		C 1263	(B,98,62)	CCSSCH221J50	
C 871	(B,104,27)	CKSSYB104K16		C 1264	(B,99,63)	CCSSCH221J50	
C 902	(B,158,54) 10 uF	CCG1236		C 1265	(B,96,62)	CKSSYB122K50	
C 903	(A,162,62)	XCEAT222M16		C 1266	(B,93,64) 10 uF	CCG1192	
C 920	(B,46,65)	CKSRYB105K16		C 1267	(B,101,60) 10 uF	CCG1192	
C 930	(B,59,85)	CKSSYB102K50		C 1269	(B,83,62)	CCSSCH221J50	
C 940	(A,44,86)	CKSRYB104K50		C 1270	(B,83,64)	CCSSCH221J50	C
C 1111	(A,135,77)	CKSSYB104K10		C 1271	(B,88,64) 10 uF	CCG1192	
C 1112	(A,125,64)	CKSSYB104K10		C 1272	(B,85,62)	CKSSYB122K50	
C 1113	(A,129,77)	CKSSYB104K10		C 1273	(B,88,62) 10 uF	CCG1192	
C 1114	(A,137,78) 10 uF	CCG1192		C 1274	(B,76,62)	CCSSCH221J50	
C 1115	(A,124,65) 10 uF	CCG1192		C 1275	(B,76,64)	CCSSCH221J50	
C 1116	(A,130,74) 10 uF	CCG1192		C 1276	(B,73,63)	CKSSYB122K50	
C 1117	(A,128,83) 4.7 uF	CCG1331		C 1277	(B,71,65) 10 uF	CCG1192	
C 1118	(A,128,58) 4.7 uF	CCG1331		C 1278	(B,71,61) 10 uF	CCG1192	
C 1119	(A,134,83) 4.7 uF	CCG1331		C 1305	(A,68,78) 10 uF	CCG1192	
C 1120	(A,130,83) 4.7 uF	CCG1331		C 1306	(A,68,69)	CEVW101M16	
C 1121	(A,124,58) 4.7 uF	CCG1331		C 1307	(B,80,87) 4.7 uF	CCG1201	D
C 1122	(A,136,83) 4.7 uF	CCG1331		C 1309	(A,89,105)	CKSRYB474K16	
C 1131	(A,120,72)	CKSSYB104K10		C 1310	(A,86,105)	CKSRYB474K16	
C 1132	(A,121,72) 10 uF	CCG1192		C 1311	(A,95,105)	CKSRYB474K16	
C 1133	(A,119,67)	CKSSYB104K10		C 1312	(A,92,105)	CKSRYB474K16	
C 1134	(A,119,70) 1 uF	DCH1246		C 1313	(B,81,108)	CKSSYB104K16	
C 1135	(A,127,66)	CKSSYB104K10		C 1314	(B,79,108) 10 uF/16 V	DCH1263	
C 1136	(A,128,74)	CKSSYB104K10		C 1315	(B,100,107) 2.2 uF	DCH1229	
C 1137	(A,137,74)	CKSSYB104K10		C 1319	(A,72,96)	XCEAT332M16	
C 1138	(A,139,73) 10 uF	CCG1192		C 1320	(B,76,107)	CKSRYB104K50	
C 1139	(A,133,76)	CKSSYB104K10		C 2202	(A,16,99)	CKSSYB471K50	
C 1140	(A,132,74)	CKSSYB104K10		C 2203	(A,20,99)	CCSSCH820J50	E
C 1201	(B,83,72)	CKSRYB105K10		C 2204	(A,23,99)	CCSSCH220J50	
C 1202	(B,100,73)	CKSRYB105K10		C 2209	(A,23,101)	CCSSCH100D50	
C 1203	(B,100,72)	CKSRYB105K10		C 2211	(A,16,88)	CKSSYB102K50	
C 1204	(B,100,70)	CKSRYB105K10		C 2213	(A,22,85)	CKSSYB102K50	
C 1205	(B,100,67)	CKSRYB105K10		C 2217	(A,25,83)	CKSSYB104K10	
C 1206	(B,97,67)	CKSRYB105K10		C 2218	(A,23,84)	CKSSYB224K6R3	
C 1207	(B,83,66)	CKSRYB105K10		C 2219	(A,18,85)	CKSSYB104K10	
C 1208	(B,83,69)	CKSRYB105K10		C 2223	(A,16,80)	CKSSYB152K50	
C 1209	(B,83,71)	CKSRYB105K10		C 2226	(B,33,79)	CKSRYB105K10	
C 1210	(A,104,62)	CKSSYB104K10		C 2227	(A,21,75)	CKSSYB104K10	F
C 1211	(A,93,63)	CKSSYB104K10		C 2228	(A,25,81)	CCSSCH390J50	
C 1212	(A,78,63)	CKSSYB104K10		C 2229	(A,36,67)	CKSRYB104K16	
C 1215	(B,83,78) 10 uF	CCG1192		C 2230	(A,168,5)	CKSRYB102K50	

1

**Circuit Symbol and No.**

C 2231 (A,153,98)  
 C 2401 (A,154,86)  
 C 2402 (A,157,80) 10 uF  
 C 2403 (B,157,85)

C 2405 (B,156,84)  
 C 2406 (B,155,83)  
 C 2407 (A,169,84)  
 C 2408 (A,161,81)  
 C 2409 (B,156,81)

2

**Part No.**

CKSRYB104K16  
 CEVW101M16  
 CCG1236  
 CKSSYB222K50

CCSSCH270J50  
 CKSSYB472K50  
 CEVW101M16  
 CKSSYB104K16  
 CKSRYB104K50

DCH1256  
 CKSRYB105K10  
 CKSSYB104K16  
 CKSSYB104K16  
 CKSSYB102K50

3

**Circuit Symbol and No.**

Q 5202 (A,28,65) Transistor  
 Q 5301 (A,28,50) Bipolar TR

Q 5302 (A,31,46) Bipolar TR  
 D 5101 (A,118,64) Diode  
 D 5102 (A,137,61) Diode  
 D 5103 (A,118,59) Diode  
 D 5201 (A,30,57) Schottky Diode

D 5202 (B,29,73) Schottky Diode  
 D 5203 (B,32,73) Schottky Diode  
 D 5204 (B,26,68) Schottky Diode  
 D 5601 (A,6,45) Blue LED(A,C,D,E,F)  
 (A,6,45) Red LED(B)

L 5101 (A,132,62) Inductor

4

**Part No.**

2SAR502UB  
 LSAR523UB

LSCR523UB  
 CRG03  
 RB060M-30  
 CRG03  
 DB2J41100

DB3S308F0  
 DB3S308F0  
 DB3S308F0  
 FM-3528BK-470M  
 FM-3528SXX620H08  
 ATH7068

CTH1426  
 CTF1635  
 CTF1547  
 CTF1547  
 CTF1547

A

B

C

D

E

F

C 2410 (A,159,80) 22 uF  
 C 2411 (B,165,87)  
 C 2413 (B,167,77)  
 C 2414 (B,168,79)  
 C 2415 (B,168,83)

C 2416 (B,168,85)  
 C 2902 (A,45,22) 4.7 uF  
 C 2904 (A,51,21) 4.7 uF  
 C 2905 (A,47,21)  
 C 2906 (A,48,23)

C 2907 (A,26,24)  
 C 2909 (B,31,22)  
 C 3101 (B,130,100)  
 C 3102 (B,137,96)  
 C 3125 (A,37,61) (C,D,E,F)  
 C 3126 (B,33,107)

C 3151 (A,121,78)  
 C 3153 (B,142,94)  
 C 3161 (B,110,78) 4.7 uF  
 C 3164 (B,115,78) 4.7 uF  
 C 3165 (B,102,78) 4.7 uF

C 3169 (B,107,78) 4.7 uF  
 C 3170 (B,126,100)  
 C 3171 (B,125,98)  
 C 3191 (A,167,95)  
 C 3192 (A,83,30)

C 3193 (A,90,30)  
 C 3201 (A,84,21)  
 C 3202 (A,80,21)  
 C 3203 (A,69,19)  
 C 3204 (A,92,20) 10 uF

CKSRYB102K50  
 CKSSYB104K10  
 CKSSYB104K10  
 CKSSYB104K10  
 CCG1234

**Monitor Key Unit**

**Consists of**  
**Monitor PCB**  
**Key PCB**

**BD****Unit Number: CWN8758****Unit Name : Monitor Key Unit****MISCELLANEOUS**

IC 5001 (A,67,65) Regulator IC MM3571A18P  
 IC 5101 (A,139,54) Display IC OZ527ILN  
 IC 5201 (A,35,64) DC/DC CONV IC R1290K103A  
 IC 5401 (A,72,57) Flash ROM Unit CWW8585  
 IC 5402 (A,74,37) Display IC TW8832SAT-LB1-GRSH

IC 5601 (A,8,92) IR RC Rec Module PNJ4833M  
 Q 5001 (A,107,46) Bipolar TR LSCR523UB  
 Q 5201 (A,40,70) Resistor Built-IN TR LTC024EEB

L 5201 (A,29,61) Choke Coil 22 uH  
 L 5301 (A,38,53) Inductor  
 L 5402 (B,75,36) Inductor  
 L 5403 (B,66,39) Inductor  
 L 5404 (B,75,37) Inductor

L 5405 (A,74,68) Inductor  
 TH5001 (A,112,12) Thermistor  
 X 5401 (A,70,50) Resonator 27.000 MHz  
 S 5601 (A,16,94) Push Switch  
 S 5602 (A,26,95) Push Switch

S 5603 (A,12,52) Push Switch  
 S 5604 (A,12,78) Push Switch  
 S 5605 (A,12,69) Push Switch  
 S 5606 (A,12,21) Push Switch  
 S 5607 (A,12,13) Push Switch

S 5608 (A,12,39) Push Switch  
 S 5609 (A,15,45) Push Switch  
 CN5001 (A,123,12)  
 CN5002 (A,140,18) Connector  
 CN5003 (A,98,64)

CN5004 (A,123,37) Connector  
 CN5301 (A,40,37)  
 CN5601 (B,15,43) Connector

**RESISTORS**

R 5001 (B,116,49) RS1/16SS101J  
 R 5002 (A,128,20) RS1/16SS0R0J  
 R 5003 (A,123,20) RS1/16SS0R0J  
 R 5004 (A,122,20) RS1/16SS0R0J  
 R 5005 (A,118,19) RS1/16SS0R0J

R 5006 (A,107,49) RS1/16SS221J  
 R 5009 (A,108,49) RS1/16SS472J  
 R 5017 (A,93,70) RS1/16SS0R0J  
 R 5018 (B,100,35) RS1/16SS0R0J  
 R 5019 (A,92,72) RS1/16SS0R0J

R 5102 (B,140,60) RS1/16SS102J  
 R 5103 (A,133,54) RS1/16SS0R0J  
 R 5104 (B,140,57) RS1/16SS104J  
 R 5105 (B,135,53) RS1/16SS104J  
 R 5106 (B,133,57) RS1/16SS102J

R 5107 (A,134,51) RS1/16SS223J  
 R 5108 (A,136,50) RS1/16SS563J  
 R 5109 (A,139,50) RS1/16SS104J  
 R 5110 (A,140,50) RS1/16SS0R0J  
 R 5111 (A,142,58) RS1/16SS102J

R 5112 (A,142,57) RS1/16SS2702D

1

2

3

4

5		6		7		8	
<u>Circuit Symbol and No.</u>		<u>Part No.</u>		<u>Circuit Symbol and No.</u>		<u>Part No.</u>	
R 5113	(A,144,57)	RS1/16SS3901D		R 5342	(B,36,35)	RS1/16SS473J	
R 5118	(B,142,60)	RS1/16SS1004D		R 5343	(B,40,35)	RS1/16SS473J	
R 5119	(B,142,59)	RS1/16SS0R0J		R 5344	(B,39,35)	RS1/16SS473J	
R 5120	(B,143,58)	RS1/16SS1503D		R 5345	(B,37,39)	RS1/16SS473J	A
R 5122	(A,136,58)	RS1/8SQ2R2J		R 5346	(A,57,43)	RS1/10SR0R0J	
R 5201	(A,37,70)	RS1/16SS8201D		R 5401	(B,79,48)	RS1/16SS472J	
R 5202	(A,37,68)	RS1/16SS6800D		R 5402	(B,80,48)	RS1/16SS472J	
R 5203	(A,38,69)	RS1/16SS1502D		R 5403	(A,63,40)	RAB4CQ221J	
R 5205	(A,39,58)	RS1/16SS0R0J		R 5404	(B,64,42)	RS1/16SS470J	
R 5206	(B,28,65)	RS1/16SS9102D		R 5405	(B,64,41)	RS1/16SS470J	
R 5207	(B,37,67)	RS1/16SS1802D		R 5406	(B,64,44)	RS1/16SS470J	
R 5208	(B,37,66)	RS1/16SS203J		R 5407	(A,77,58)	RS1/16SS473J	
R 5209	(B,38,62)	RS1/16SS104J		R 5408	(A,81,46)	RS1/16SS104J	
R 5210	(A,29,64)	RS1/16SS103J		R 5409	(A,77,49)	RS1/16SS330J	
R 5211	(A,41,66)	RS1/16SS472J		R 5410	(A,76,48)	RS1/16SS330J	B
R 5212	(B,34,68)	RS1/16SS1003D		R 5411	(A,75,49)	RS1/16SS330J	
R 5213	(B,35,69)	RS1/16SS9101D		R 5412	(A,75,48)	RS1/16SS330J	
R 5214	(A,29,57)	RS1/10SR2R2J		R 5413	(B,72,59)	RS1/16SS473J	
R 5216	(A,40,60)	RS1/16SS1203D		R 5414	(A,66,57)	RS1/16SS473J	
R 5217	(A,40,61)	RS1/16SS3001D		R 5415	(A,76,53)	RS1/16SS473J	
R 5218	(A,41,62)	RS1/16SS1502D		R 5416	(B,69,56)	RS1/16SS473J	
R 5219	(A,39,60)	RS1/16SS472J		R 5417	(A,78,48)	RS1/16SS330J	
R 5220	(A,36,58)	RS1/16SS0R0J		R 5418	(A,68,45)	RS1/16SS330J	
R 5301	(A,23,49)	RS1/8SQ0R0J		R 5419	(A,73,48)	RS1/16SS330J	
R 5302	(A,16,48)	RS1/16SS3R9J		R 5420	(A,81,49)	RS1/16SS101J	C
R 5303	(A,17,48)	RS1/16SS27R0D		R 5421	(A,80,48)	RS1/16SS0R0J	
R 5304	(A,17,46)	RS1/16SS2200D		R 5422	(A,79,49)	RS1/16SS0R0J	
R 5305	(A,18,45)	RS1/16SS75R0D		R 5423	(A,69,47)	RS1/16SS152J	
R 5306	(A,17,44)	RS1/16SS56R0D		R 5424	(A,71,47)	RS1/16SS105J	
R 5307	(A,18,43)	RS1/16SS0R0J		R 5425	(A,63,37)	RAB4CQ221J	
R 5308	(A,17,42)	RS1/16SS51R0D		R 5426	(A,63,34)	RAB4CQ221J	
R 5309	(A,18,41)	RS1/16SS0R0J		R 5427	(A,68,29)	RAB4CQ221J	
R 5310	(A,17,40)	RS1/16SS1500D		R 5428	(A,72,27)	RAB4CQ221J	
R 5311	(A,18,39)	RS1/16SS27R0D		R 5429	(A,75,27)	RAB4CQ221J	
R 5312	(A,17,38)	RS1/16SS1300D		R 5430	(B,86,35)	RS1/16SS3000D	D
R 5313	(A,18,37)	RS1/16SS1300D		R 5431	(B,86,36)	RS1/16SS3000D	
R 5314	(A,17,37)	RS1/16SS1500D		R 5432	(A,89,35)	RS1/16SS0R0J	
R 5315	(A,18,36)	RS1/16SS24R0D		R 5433	(A,89,36)	RS1/16SS0R0J	
R 5316	(A,17,35)	RS1/16SS33R0D		R 5434	(B,86,33)	RS1/16SS151J	
R 5317	(A,18,34)	RS1/16SS27R0D		R 5435	(B,86,34)	RS1/16SS3000D	
R 5318	(A,17,33)	RS1/16SS51R0D		R 5436	(A,89,33)	RS1/16SS151J	
R 5319	(A,18,32)	RS1/16SS22R0D		R 5437	(A,89,34)	RS1/16SS0R0J	
R 5320	(A,17,31)	RS1/16SS1500D		R 5501	(A,89,32)	RS1/16SS0R0J	
R 5321	(A,18,30)	RS1/16SS1500D		R 5518	(A,91,46)	RS1/16SS0R0J	
R 5322	(A,17,29)	RS1/16SS33R0D		R 5519	(A,93,46)	RS1/16SS0R0J	
R 5323	(A,16,28)	RS1/16SS1R0J		R 5520	(A,95,46)	RS1/16SS0R0J	
R 5324	(B,33,39)	RS1/16SS473J		R 5522	(A,99,46)	RS1/16SS0R0J	E
R 5325	(B,41,35)	RS1/16SS473J		R 5601	(B,8,78)	RS1/16SS101J	
R 5327	(B,58,44)	RS1/10SR0R0J		R 5602	(B,13,78)	RS1/16SS470J	
R 5328	(A,25,49)	RS1/8SQ0R0J		R 5603	(A,15,41)	RS1/16SS392J	
R 5329	(A,32,51)	RS1/16SS153J		R 5604	(A,16,25)	RS1/16SS472J	
R 5331	(A,30,51)	RS1/16SS105J		R 5605	(A,16,23)	RS1/16SS123J	
R 5333	(A,30,48)	RS1/16SS153J		R 5606	(A,16,78)	RS1/16SS182J	
R 5334	(A,29,45)	RS1/16SS472J		R 5607	(A,16,80)	RS1/16SS222J	
R 5335	(A,31,43)	RS1/16SS101J		R 5608	(A,16,83)	RS1/16SS472J	
R 5337	(A,34,51)	RS1/8SQ0R0J					
R 5338	(A,32,48)	RS1/16SS273J		<b>CAPACITORS</b>			F
R 5339	(A,29,47)	RS1/16SS474J		C 5008	(A,113,12)	CKSSYB104K10	
R 5340	(A,42,42)	RS1/16SS0R0J		C 5010	(A,66,61)	CKSSYB474K6R3	
R 5341	(A,44,43)	RS1/16SS0R0J					

1

**Circuit Symbol and No.**

C 5011 (A,66,69)  
 C 5012 (A,114,42)  
 C 5101 (A,137,64)

A

C 5102 (A,120,54) 10 uF  
 C 5106 (A,135,53)  
 C 5107 (A,133,55)  
 C 5108 (A,128,61)  
 C 5109 (A,137,50)

■

C 5110 (A,138,50)  
 C 5112 (A,141,62) 10 uF  
 C 5114 (A,145,59)  
 C 5118 (A,133,58)  
 C 5201 (A,42,67)

B

C 5203 (A,42,69)  
 C 5204 (A,42,68)  
 C 5205 (A,35,69)  
 C 5206 (A,28,55)  
 C 5207 (A,36,59)

■

C 5208 (B,25,70)  
 C 5209 (B,38,60)  
 C 5210 (B,35,73)  
 C 5212 (B,33,71)  
 C 5213 (B,28,66)

C

C 5214 (B,29,70)  
 C 5215 (B,30,71)  
 C 5217 (A,31,70)  
 C 5218 (A,41,64)  
 C 5219 (A,26,58) 4.7 uF

■

C 5220 (A,36,70)  
 C 5221 (B,34,69)  
 C 5222 (A,32,56)  
 C 5224 (A,39,61)  
 C 5225 (B,38,57)

D

C 5226 (A,37,57)  
 C 5303 (A,23,43)  
 C 5304 (A,22,47) 4.7 uF  
 C 5305 (A,22,52)  
 C 5306 (A,15,47) 4.7 uF

■

C 5307 (A,16,45)  
 C 5314 (A,16,39)  
 C 5315 (A,16,38)  
 C 5316 (A,16,37)  
 C 5317 (A,16,36)

E

C 5324 (A,16,30)  
 C 5325 (A,16,29)  
 C 5326 (A,37,44)  
 C 5328 (A,37,45)  
 C 5330 (A,38,51) 10 uF

■

C 5331 (A,41,54)  
 C 5333 (B,56,41)  
 C 5334 (B,55,41)  
 C 5335 (B,54,41)  
 C 5336 (B,58,40) 10 uF

F

C 5339 (A,25,45)  
 C 5340 (A,26,47)  
 C 5341 (A,25,52)  
 C 5342 (A,34,43)  
 C 5343 (A,31,51)

C 5344 (A,34,47) 10 uF  
 C 5347 (A,36,42)

2

**Part No.**

CKSSYB474K6R3  
 CKSSYB104K10  
 CKSSYB102K50

CCG1236  
 CKSRYB105K16  
 CKSRYB105K16  
 CKSRYB104K16  
 CKSRYB105K16

CCSSCH101J50  
 CCG1236  
 CKSRYB224K16  
 CKSSYB332K50  
 CKSSYB224K6R3

CKSRYB105K10  
 CKSSYB224K6R3  
 CKSRYB224K16  
 CKSSYB472K50  
 CKSSYB102K50

CKSRYB105K16  
 CKSRYB105K10  
 CKSQYB105K25  
 CKSQYB105K25  
 CKSRYB104K50

CKSRYB104K50  
 CKSRYB104K50  
 CKSYB475K16  
 CKSRYB682K50  
 CCG1212

CCSSCH101J50  
 CKSSYB561K50  
 CKSYB475K16  
 CKSSYB152K50  
 CKSRYB105K16

CKSSYB104K10  
 CKSSYB104K16  
 CCG1222  
 CKSQYB225K16  
 CCG1222

CKSSYB104K16  
 CKSSYB102K50  
 CKSSYB104K16  
 CKSSYB102K50  
 CKSSYB104K16

CKSSYB102K50  
 CKSSYB104K16  
 CKSSYB102K50  
 CKSSYB104K16  
 CCG1236

CKSSYB102K50  
 CCSSCH101J50  
 CKSSYB102K50  
 CKSSYB104K10  
 CCG1192

CKSRYB104K50  
 CKSQYB334K50  
 CKSRYB103K50  
 CCG1379  
 CKSSYB104K10

CCG1236  
 CKSSYB102K50

3

**Circuit Symbol and No.**

C 5349 (A,55,42)  
 C 5350 (B,38,40)  
 C 5351 (A,32,43) 10 uF

C 5352 (A,33,43)  
 C 5401 (B,62,43)  
 C 5402 (B,64,45)  
 C 5403 (B,63,40)  
 C 5404 (A,81,48)

C 5405 (B,69,42)  
 C 5406 (B,77,41)  
 C 5407 (A,73,61)  
 C 5409 (A,73,53)  
 C 5410 (A,67,44)

C 5411 (B,77,35) 10 uF  
 C 5412 (B,77,38) 10 uF  
 C 5413 (B,74,39)  
 C 5414 (A,82,39)  
 C 5415 (B,75,39) 10 uF

C 5416 (A,74,65)  
 C 5417 (B,71,34)  
 C 5418 (A,74,66) 10 uF  
 C 5420 (A,83,33)  
 C 5421 (A,83,34)

C 5422 (A,83,36)  
 C 5423 (A,83,35)  
 C 5425 (A,72,50)  
 C 5426 (A,68,50)  
 C 5427 (B,67,37)

C 5432 (A,83,37)  
 C 5433 (B,80,39) 10 uF  
 C 5434 (B,68,38) 10 uF  
 C 5435 (B,77,43)  
 C 5436 (B,72,35)

C 5437 (A,75,70)  
 C 5438 (B,68,39)  
 C 5439 (B,69,44)  
 C 5602 (B,9,93) 10 uF

**C****Unit Number :****Unit Name : Relay Unit****MISCELLANEOUS**

S 101 (A,47,55) Spring Switch(HOME) CSN1080  
 S 102 (B,26,12) Spring Switch(12EJ) CSN1081  
 VR101 (A,8,63) Semi-fixed 6.8 kohm(B) CCP1447  
 VR102 (A,7,59) Semi-fixed 15 kohm(B) CCP1449  
 CN101 (A,21,63) FFC/FPC Connector CKS6631

CN102 (A,42,10) Connector CKS6025

**RESISTORS**

R 101 (A,11,60) RS1/10SR822J  
 R 102 (B,54,27) RS1/10SR0R0J