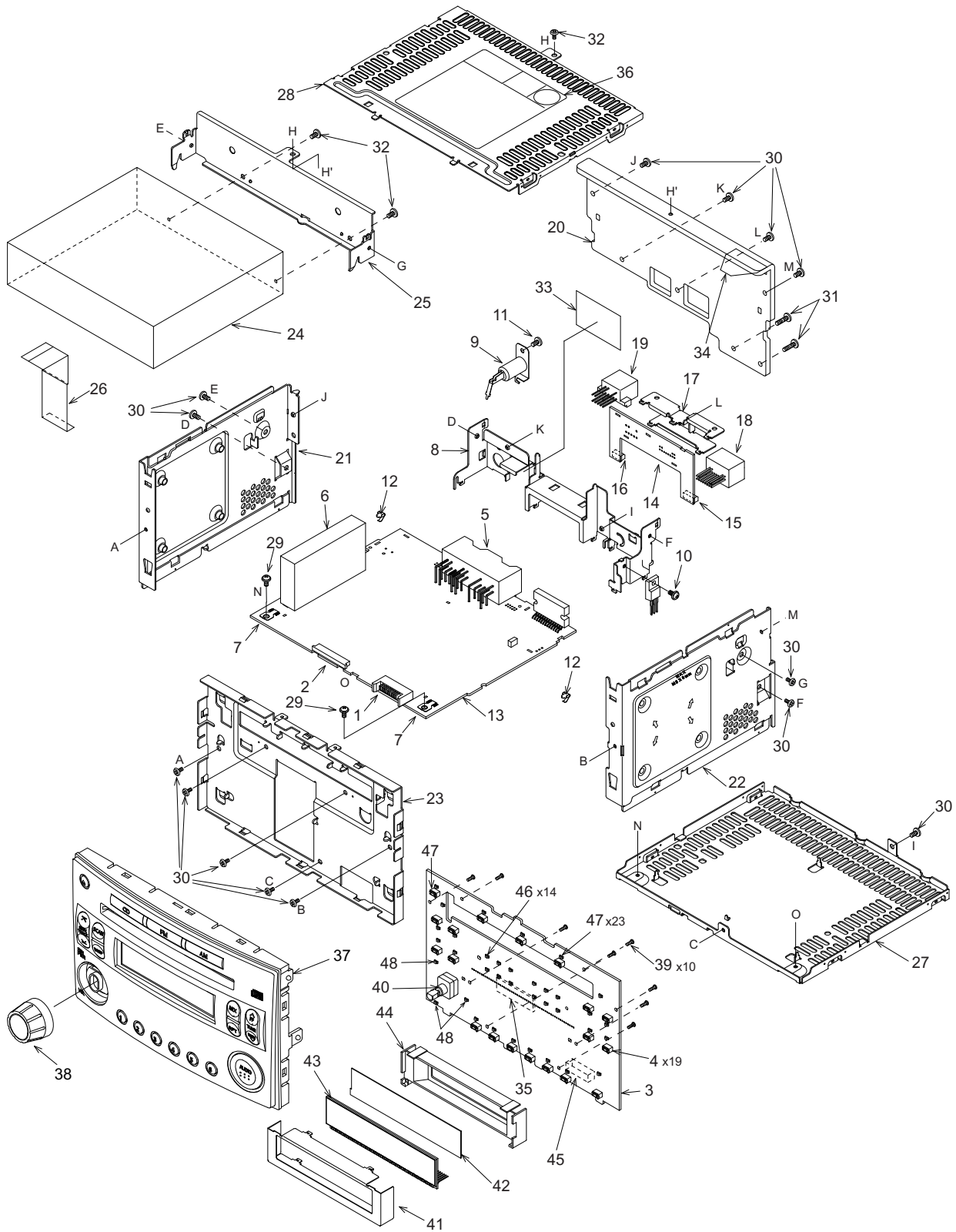


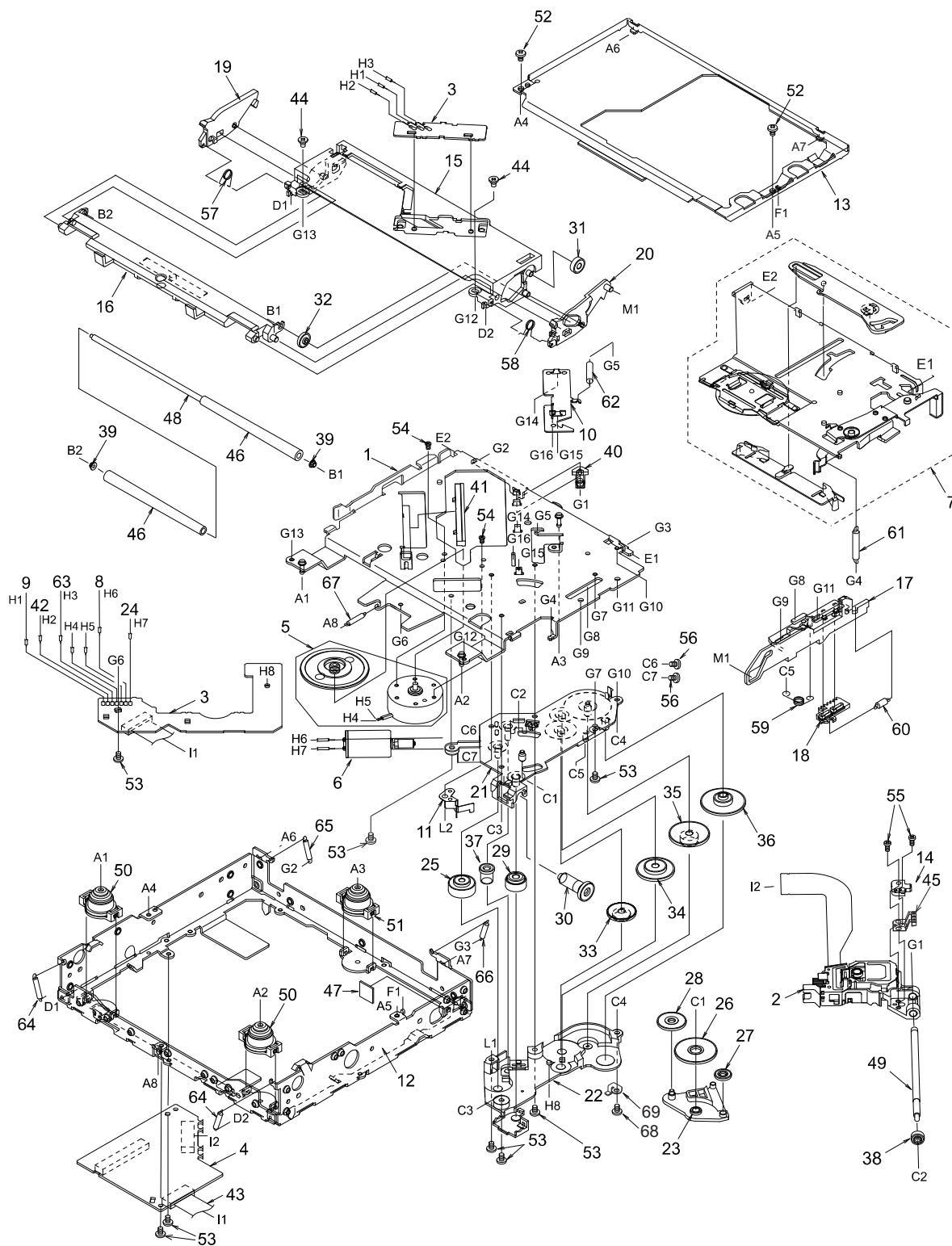
EXPLODED VIEW/PARTS LIST

Main section



NO.	PART NO.	DESCRIPTION	Q'TY
1	076-0540-14	PLUG(14P)	1
2	074-1191-26	OUTLET SOCKET(26P)	1
3	-----	SWITCH PWB	1
4	013-6311-50	SWITCH	19
5	074-1068-11	OUTLET SOCKET	1
6	880-19210	FM/AM TUNER	1
7	073-0762-90	TERMINAL	2
8	307-0683-00	REAR PLATE	1
9	092-0702-00	ANT-RECEPTACLE	1
10	716-0878-00	IT-SCREW	1
11	714-2606-81	MACHINE SCREW(M2.6x6)	1
12	073-0774-00	TERMINAL	2
13	-----	MAIN PWB	1
14	-----	SUB PWB	1
15	076-0544-10	PLUG(10P)	1
16	076-0544-08	PLUG(8P)	1
17	331-3522-01	OUTLET HOLDER	1
18	074-1013-30	OUTLET SOCKET(12P)	1
19	074-1298-10	OUTLET SOCKET(8P)	1
20	313-1857-03	HEAT SINK	1
21	331-3471-01	SIDE PLATE	1
22	331-3472-01	SIDE PLATE	1
23	331-3467-03	ES-PLATE	1
24	-----	CD CHANGER MECHANISM (022089)	1
25	331-3466-01	MECH BRKT	1
26	816-2549-01	FLAT WIRE	1
27	311-1833-00	LOWER CASE	1

NO.	PART NO.	DESCRIPTION	Q'TY
28	311-1739-00	UPPER CASE	1
29	716-0878-00	IT-SCREW	2
30	714-2606-81	MACHINE SCREW(M2.6x6)	14
31	714-2612-81	MACHINE SCREW(M2.6x12)	2
32	714-2603-89	MACHINE SCREW(M2.6x3)	3
33	347-5206-01	SHIELD SHEET	1
34	347-6521-11	SHIELD SHEET	1
35	345-8639-01	PROTECTOR	1
36	286-6645-03	SETPLATE	1
37	940-8107-02	ESCUTCHEON ASSY	1
38	380-5567-02	KNOB	1
39	716-0778-00	WAVE SCREW	10
40	016-0013-04	ROTARY ENCODER	1
41	331-4088-00	LCD COVER	1
42	335-7730-01	LED LEFLECTOR	1
43	379-1341-31	LCD	1
44	335-6804-01	LCD HOLDER	1
45	074-1151-14	OUTLET SOCKET(14P)	1
46	001-7080-91	LED(YEL)	14
47	001-7063-96	LED(YEL)	23
48	001-7093-90	LED(YEL)	3



NO.	PART NO.	DESCRIPTION	Q'TY	NO.	PART NO.	DESCRIPTION	Q'TY
1	966-0595-27	DRIVE PLATE ASSY	1	36	621-0619-20	POWER GEAR D	1
2	969-0060-30	PICK UP UNIT	1	37	621-0620-20	THREAD GEAR A	1
3	-----	LED PWB	1	38	621-0621-20	THREAD GEAR B	1
4	-----	CD PWB	1	39	621-1726-20	ROLLER SLEEVE	2
5	SMA-182-100	MOTOR ASSY(SPINDLE)	1	40	621-0623-23	LS-HOLDER	1
6	SMA-183-100	MOTOR ASSY(SLED)	1	41	621-0624-22	GUIDE RAIL	1
7	HBS-533-200	CLAMPER LINK ASSY	1	42	816-2593-00	LEAD WIRE(PUR)	1
8	803-4906-60	VINYL COAT WIRE(ORG)	1	43	816-2542-01	FLAT WIRE(10P)	1
9	816-2591-00	LEAD WIRE(YEL)	1	44	716-3473-01	SCREW	2
10	620-1025-23	ID-LOCK PLATE	1	45	621-1729-20	SH-BASE	1
11	620-1026-21	SPRING PLATE	1	46	621-0629-20	LOADING ROLLER	2
12	620-1027-28	LOWER CHASSIS	1	47	345-5476-20	CUSHION RUBBER	1
13	620-1028-25	UPPER CHASSIS	1	48	622-1571-21	ROLLER SHAFT	1
14	966-1722-20	SH-RACK ASSY	1	49	624-0018-01	LEAD SCREW	1
15	621-0598-27	UPPER GUIDE	1	50	629-0081-21	DAMPER F	2
16	621-0718-21	ROLLER GUIDE	1	51	629-0082-21	DAMPER R	1
17	621-0600-26	SHIFT LEVER	1	52	714-2003-8B	MACHINE SCREW	2
18	621-1716-20	RACK	1	53	716-1507-01	SCREW	8
19	621-0602-22	LOCK ARM L	1	54	716-1733-01	SCREW	2
20	621-0603-25	LOCK ARM R	1	55	716-3469-01	SCREW	2
21	621-0724-21	GEAR BASE	1	56	716-3551-00	SCREW	2
22	621-0605-22	GEAR COVER	1	57	716-1670-01	SCREW	1
23	621-1731-20	IDLE CASE	1	58	750-3466-20	ROLLER SPRING R	1
24	816-2590-00	VINYL COAT WIRE(GRN)	1	59	750-3467-21	SHIFT SPRING	1
25	621-0608-21	SECOND GEAR	1	60	750-3468-20	RACK SPRING	1
26	621-0609-20	BASE GEAR	1	61	750-3469-20	CLAMPER SPRING	1
27	621-0610-20	IDLE GEAR A	1	62	750-3470-20	ID-LOCK SPRING	1
28	621-0611-20	IDLE GEAR B	1	63	816-2592-00	LEAD WIRE(BLU)	1
29	621-0612-21	ROLLER GEAR A	1	64	750-3472-21	DR-SPRING F	2
30	621-0613-21	ROLLER GEAR B	1	65	750-3473-20	DR-SPRING RA	1
31	621-0614-20	ROLLER GEAR C	1	66	750-3474-20	DR-SPRING RB	1
32	621-0615-21	ROLLER GEAR D	1	67	750-3475-21	DR-SPRING C	1
33	621-0616-20	POWER GEAR A	1	68	716-1670-01	SPECIAL SCREW	2
34	621-0617-20	POWER GEAR B	1	69	320-1755-80	SUPPORT PLATE	1
35	621-0618-20	POWER GEAR C	1				

*No.69:SUPPORT PLATE were added parts.

■ ELECTRICAL PARTS LIST

Note) Several different parts of the same reference number are alternative parts.
One of those parts is used in the set.

Main PWB(B1) section

REF No.	PART No.	DESCRIPTION	REF No.	PART No.	DESCRIPTION	REF No.	PART No.	DESCRIPTION
ANT101	092-0702-00	ANT RECEP.	C130	166-1201-50	12pF CH	C208	168-1042-78	16V 0.1uF
BL101	880-1921T	FM/AM TUNER	C132	166-2201-50	22pF CH	C212	166-8097-50	8pF C CH
C104	119-0000-05	1/10W 0 ohm JW	C133	166-1501-50	15pF CH	C213	188-4763-38	16V 47uF
C105	166-1511-50	150pF CH	C134	168-1022-55	1000pF K	C214	168-1042-78	16V 0.1uF
C114	166-1007-50	10pF CH	C135	168-1042-78	16V 0.1uF	C215	188-4763-38	16V 47uF
C116	168-1042-78	16V 0.1uF	C136	168-1042-78	16V 0.1uF	C216	168-1042-78	16V 0.1uF
C118	168-1022-55	1000pF K	C137	168-1042-78	16V 0.1uF	C217	042-0403-55	16V 33uF
C119	187-1073-27	10V100uF	C138	168-1042-78	16V 0.1uF	C218	042-0403-55	16V 33uF
C120	042-1458-93	50V 2.2uF	C139	166-5601-50	56pF CH	C219	168-1042-78	16V 0.1uF
C122	187-1073-27	10V100uF	C201	168-1022-55	1000pF K	C230	166-4711-50	470pF CH
C123	187-1073-27	10V100uF	C202	168-1022-55	1000pF K	C301	168-4722-55	4700pF K
C125	187-4763-37	16V47uF	C203	166-1011-50	100pF CH	C302	168-1042-78	16V 0.1uF
C126	178-1052-78	1uF	C204	166-1011-50	100pF CH	C303	187-4763-37	16V47uF
C127	168-1532-55	0.015uF K	C205	166-1011-50	100pF CH	C304	166-1011-50	100pF CH
C128	168-3932-78	0.039uF K	C206	166-1011-50	100pF CH	C305	119-0000-05	1/10W 0 ohm JW
C129	168-3932-78	0.039uF K	C207	168-1042-78	16V 0.1uF	C306	189-2273-29	10V 220uF

REF No.	PART No.	DESCRIPTION	REF No.	PART No.	DESCRIPTION	REF No.	PART No.	DESCRIPTION
C307	187-1063-37	16V10uF	C549	178-2232-78	0.022uF	CCT209	050-0140-54	1/32W 1k ohm x4J
C308	166-1011-50	100pF CH	C550	178-2232-78	0.022uF	CCT210	050-0140-54	1/32W 1k ohm x4J
C309	188-1066-38	16V 10uF NP	C551	178-1532-78	0.015uF	D401	001-0422-38	MTZJ36
C310	188-1066-38	16V 10uF NP	C552	178-1532-78	0.015uF	D402	001-0330-90	1SS119
C315	187-2263-37	16V 22uF	C553	178-5632-78	0.056uF	D403	001-0330-90	1SS119
C316	187-1053-67	50V1uF	C554	178-5632-78	0.056uF	D404	001-0347-44	MA4082M
C318	178-1042-78	0.1uF	C555	178-4732-78	0.047uF	D601	001-0516-90	MA111
C319	178-1042-78	0.1uF	C556	178-4732-78	0.047uF	D701	001-2015-00	RL253
C321	187-1053-67	50V1uF	C557	178-5632-78	0.056uF	D702	001-0466-90	S5688B
C322	178-4742-78	0.47uF	C558	178-4732-78	0.047uF	D703	001-0347-34	MA4062L
C323	178-4742-78	0.47uF	C559	166-2201-50	22pF CH	D704	001-0466-90	S5688B
C324	168-1222-55	1200pF K	C560	166-2201-50	22pF CH	D802	001-0347-48	MA4091H
C325	187-1053-67	50V1uF	C561	166-2201-50	22pF CH	D803	001-0516-90	MA111
C326	187-1053-67	50V1uF	C562	166-2201-50	22pF CH	D804	001-0466-90	S5688B
C327	168-1222-55	1200pF K	C563	178-5632-78	0.056uF	D805	001-0516-90	MA111
C332	178-1842-78	0.18uF	C564	178-4732-78	0.047uF	D806	001-0504-31	HZS6 A2L
C333	178-1842-78	0.18uF	C565	168-1032-55	0.01uF K	D808	001-0504-45	HZS9B1L
C334	178-1842-78	0.18uF	C566	168-2232-55	0.022uF K	D902	001-0504-48	HZS9C2L
C335	178-1842-78	0.18uF	C567	168-1032-55	0.01uF K	D903	001-0516-90	MA111
C336	168-8212-55	820pF K	C568	178-3932-78	0.039uF	IC201	052-1173-50	UPD178078GF-715-3BAA
C337	168-8212-55	820pF K	C569	178-3932-78	0.039uF	IC301	051-3034-90	NJM4558V
C338	168-8212-55	820pF K	C570	178-3932-78	0.039uF	IC302	051-5027-00	LC75412WH
C339	168-8212-55	820pF K	C571	178-3932-78	0.039uF	IC501	051-3019-90	NJM2060V
C340	187-1063-37	16V10uF	C572	168-3322-55	3300pF K	IC503	051-3019-90	NJM2060V
C341	187-1063-37	16V10uF	C573	187-1053-67	50V1uF	IC504	051-3019-90	NJM2060V
C342	168-1832-55	0.018uF K	C574	187-1063-37	16V10uF	IC505	051-3019-90	NJM2060V
C343	187-1063-37	16V10uF	C577	178-1052-78	1uF	IC506	051-2042-00	TA8275H
C344	187-1063-37	16V10uF	C578	178-1052-78	1uF	IC801	051-3341-90	BD3931FP
C345	187-1063-37	16V10uF	C579	178-1052-78	1uF	J201	074-1191-26	26P
C346	187-1063-37	16V10uF	C580	178-1052-78	1uF	J701	074-1068-11	NS10+6
C405	168-1022-55	1000pF K	C581	168-3322-55	3300pF K	L104	010-2003-04	COIL
C406	168-1022-55	1000pF K	C582	188-1053-68	50V 1uF	L202	010-6009-64	2.2uH
C407	168-1022-55	1000pF K	C584	166-2201-50	22pF CH	L701	009-0670-01	CHOKE
C408	168-2232-55	0.022uF K	C585	166-2201-50	22pF CH	L701	009-0670-81	CHOKE
C409	187-1063-37	16V10uF	C586	166-2201-50	22pF CH	P701	076-0540-14	14P
C410	187-1063-37	16V10uF	C587	166-2201-50	22pF CH	Q104	192-2458-51	2SC2458 GR.BL
C411	187-1063-37	16V10uF	C599	189-4773-19	6.3V470uF	Q105	192-2458-51	2SC2458 GR.BL
C412	187-1063-37	16V10uF	C601	188-4753-68	50V4.7uF	Q106	190-1150-00	2SA1150
C501	168-3322-55	3300pF K	C602	188-4753-68	50V4.7uF	Q107	125-2004-92	RN1402
C502	166-4711-50	470pF CH	C701	172-1041-15	0.1uF	Q108	190-1150-00	2SA1150
C503	168-3322-55	3300pF K	C702	042-1447-00	16V2200uF	Q201	125-2004-92	RN1402
C504	166-4711-50	470pF CH	C703	168-2222-55	2200pF K	Q301	125-2004-92	RN1402
C505	166-2201-50	22pF CH	C704	168-2222-55	2200pF K	Q302	125-2004-92	RN1402
C506	166-2201-50	22pF CH	C705	168-2222-55	2200pF K	Q303	191-0709-00	2SB709A Q,R,S
C507	168-1042-78	16V 0.1uF	C706	168-2222-55	2200pF K	Q401	192-2712-00	2SC2712
C508	166-2201-50	22pF CH	C707	168-2222-55	2200pF K	Q402	125-9006-90	IMX1
C509	166-2201-50	22pF CH	C708	168-2222-55	2200pF K	Q403	125-2004-92	RN1402
C510	168-3922-55	3900pF K	C709	168-2222-55	2200pF K	Q404	125-0002-92	RN2402
C511	168-3922-55	3900pF K	C710	168-2222-55	2200pF K	Q501	125-4001-90	XN1504
C512	166-2201-50	22pF CH	C711	168-2222-55	2200pF K	Q502	125-4001-90	XN1504
C513	166-2201-50	22pF CH	C712	172-1041-15	0.1uF	Q503	125-0006-90	UN2110
C514	168-1042-78	16V 0.1uF	C713	187-1053-67	50V 1uF	Q504	125-0002-92	RN2402
C515	166-2201-50	22pF CH	C714	188-6843-68	50V 0.68uF	Q505	125-0002-92	RN2402
C516	166-2201-50	22pF CH	C802	187-4763-37	16V47uF	Q506	125-0006-90	UN2110
C517	168-1042-38	50V 0.1uF	C803	187-1063-37	16V10uF	Q701	192-2712-00	2SC2712
C529	178-3342-78	0.33uF	C804	168-1042-78	16V 0.1uF	Q801	193-2118-00	2SD2118F5 Q,R,S
C530	178-3342-78	0.33uF	C805	168-1042-78	16V 0.1uF	Q802	125-2004-92	RN1402
C531	178-1842-78	0.18uF	C806	187-1063-37	16V10uF	Q803	190-1150-00	2SA1150
C532	178-1842-78	0.18uF	C807	187-1063-37	16V10uF	Q804	125-2004-92	RN1402
C533	178-6832-78	0.068uF	C808	189-1073-39	16V 100uF	Q805	125-0002-92	RN2402
C534	178-6832-78	0.068uF	C809	168-1042-78	16V 0.1uF	Q808	131-1188-00	2SB1188
C535	178-8232-78	0.082uF	C810	163-1063-35	16V 10uF	Q809	125-2004-96	RN1406
C536	178-8232-78	0.082uF	C811	042-0416-57	10V 47uF M TAN	Q811	193-2118-00	2SD2118F5 Q,R,S
C537	166-2201-50	22pF CH	C901	168-1042-78	16V 0.1uF	Q812	125-9003-92	IMD3
C538	166-2201-50	22pF CH	C902	187-1063-37	16V10uF	Q813	103-2012-00	2SD2012
C539	166-2201-50	22pF CH	C903	188-4753-68	50V4.7uF	Q903	103-2012-00	2SD2012
C540	166-2201-50	22pF CH	C904	188-1053-68	50V 1uF	Q904	125-2004-92	RN1402
C541	166-2201-50	22pF CH	C905	166-4711-50	470pF CH	Q905	190-1298-00	2SA1298
C542	166-2201-50	22pF CH	C906	166-4711-50	470pF CH	Q906	125-2004-92	RN1402
C543	166-2201-50	22pF CH	C907	168-1042-38	50V 0.1uF	Q907	125-2004-92	RN1402
C544	166-2201-50	22pF CH	C910	166-1021-50	1000pF CH	R111	119-2221-15	1/10W 2.2k ohm
C545	178-5622-78	5600pF	C911	187-1073-37	16V100uF	R112	119-4721-15	1/10W 4.7k ohm
C546	178-5622-78	5600pF	CCT205	050-0140-54	1/32W 1k ohm x4J	R113	119-1021-15	1/10W 1k ohm
C547	178-2232-78	0.022uF	CCT206	050-0140-54	1/32W 1k ohm x4J	R114	111-4701-98	1/4W 47 ohm
C548	178-2232-78	0.022uF	CCT207	050-0140-54	1/32W 1k ohm x4J			

REF No.	PART No.	DESCRIPTION	REF No.	PART No.	DESCRIPTION	REF No.	PART No.	DESCRIPTION
R115	119-2221-15	1/10W 2.2k ohm	R405	119-1021-15	1/10W 1k ohm	R578	119-1031-15	1/10W 10k ohm
R116	111-1501-98	1/4W 15 ohm	R406	119-5621-15	1/10W 5.6k ohm	R579	119-5131-15	1/10W 51k ohm
R117	119-1021-15	1/10W 1k ohm	R407	119-5621-15	1/10W 5.6k ohm	R580	119-5131-15	1/10W 51k ohm
R118	119-4741-15	1/10W 470k ohm	R408	119-5631-15	1/10W 56k ohm	R581	119-5131-15	1/10W 51k ohm
R119	111-1001-98	1/4W 10 ohm	R409	119-5631-15	1/10W 56k ohm	R582	119-5131-15	1/10W 51k ohm
R120	111-2221-98	1/4W 2.2k ohm	R410	119-1031-15	1/10W 10k ohm	R583	119-1031-15	1/10W 10k ohm
R121	111-1031-98	1/4W 10k ohm	R411	119-1031-15	1/10W 10k ohm	R584	119-1031-15	1/10W 10k ohm
R122	119-1021-15	1/10W 1k ohm	R412	119-5631-15	1/10W 56k ohm	R585	119-1831-15	1/10W 18k ohm
R123	111-1031-98	1/4W 10k ohm	R413	119-1031-15	1/10W 10k ohm	R586	119-8221-15	1/10W 8.2k ohm
R124	111-2221-98	1/4W 2.2k ohm	R414	119-3011-15	1/10W 300 ohm	R587	119-8221-15	1/10W 8.2k ohm
R126	119-8201-15	1/10W 82 ohm	R415	119-3011-15	1/10W 300 ohm	R588	119-4731-15	1/10W 47k ohm
R199	119-0000-05	1/10W 0 ohm JW	R416	119-4731-15	1/10W 47k ohm	R589	119-4731-15	1/10W 47k ohm
R201	119-1021-15	1/10W 1k ohm	R417	119-2231-15	1/10W 22k ohm	R590	119-1031-15	1/10W 10k ohm
R202	119-1021-15	1/10W 1k ohm	R422	119-4731-15	1/10W 47k ohm	R591	119-1031-15	1/10W 10k ohm
R203	119-1031-15	1/10W 10k ohm	R430	032-0106-69	1/8W 39k ohm D	R592	119-1031-15	1/10W 10k ohm
R204	119-0000-05	1/10W 0 ohm JW	R431	032-0106-69	1/8W 39k ohm D	R593	119-1031-15	1/10W 10k ohm
R205	119-1031-15	1/10W 10k ohm	R432	032-0106-69	1/8W 39k ohm D	R594	119-1031-15	1/10W 10k ohm
R206	119-4731-15	1/10W 47k ohm	R433	032-0106-69	1/8W 39k ohm D	R595	119-1031-15	1/10W 10k ohm
R207	119-4731-15	1/10W 47k ohm	R501	119-3331-15	1/10W 33k ohm	R596	119-1031-15	1/10W 10k ohm
R208	119-4731-15	1/10W 47k ohm	R502	119-3331-15	1/10W 33k ohm	R597	119-1031-15	1/10W 10k ohm
R209	119-1041-15	1/10W 100k ohm	R503	119-3331-15	1/10W 33k ohm	R598	119-1031-15	1/10W 10k ohm
R210	119-1041-15	1/10W 100k ohm	R504	119-3331-15	1/10W 33k ohm	R599	119-4721-15	1/10W 4.7k ohm
R212	119-1031-15	1/10W 10k ohm	R505	119-1831-15	1/10W 18k ohm	R600	119-1021-15	1/10W 1k ohm
R214	119-2231-15	1/10W 22k ohm	R506	119-2731-15	1/10W 27k ohm	R601	119-1021-15	1/10W 1k ohm
R215	119-1031-15	1/10W 10k ohm	R507	119-1831-15	1/10W 18k ohm	R602	119-1241-15	1/10W 120k ohm
R221	119-1021-15	1/10W 1k ohm	R508	119-2731-15	1/10W 27k ohm	R603	119-1241-15	1/10W 120k ohm
R222	119-4731-15	1/10W 47k ohm	R509	119-8221-15	1/10W 8.2k ohm	R604	119-1231-15	1/10W 12k ohm
R223	119-1031-15	1/10W 10k ohm	R510	119-5621-15	1/10W 5.6k ohm	R605	119-1231-15	1/10W 12k ohm
R224	119-1021-15	1/10W 1k ohm	R511	119-8221-15	1/10W 8.2k ohm	R606	119-2231-15	1/10W 22k ohm
R225	119-1031-15	1/10W 10k ohm	R512	119-5621-15	1/10W 5.6k ohm	R607	119-2231-15	1/10W 22k ohm
R226	119-1021-15	1/10W 1k ohm	R513	119-4721-15	1/10W 4.7k ohm	R612	119-1021-15	1/10W 1k ohm
R227	119-4731-15	1/10W 47k ohm	R514	119-1031-15	1/10W 10k ohm	R613	119-1021-15	1/10W 1k ohm
R228	119-3311-15	1/10W 330 ohm	R515	119-1031-15	1/10W 10k ohm	R615	119-1031-15	1/10W 10k ohm
R229	119-3311-15	1/10W 330 ohm	R516	119-4721-15	1/10W 4.7k ohm	R616	119-1031-15	1/10W 10k ohm
R230	119-1021-15	1/10W 1k ohm	R517	119-2721-15	1/10W 2.7k ohm	R617	119-4721-15	1/10W 4.7k ohm
R232	119-4731-15	1/10W 47k ohm	R518	119-8221-15	1/10W 8.2k ohm	R618	119-4721-15	1/10W 4.7k ohm
R234	119-1031-15	1/10W 10k ohm	R519	119-8221-15	1/10W 8.2k ohm	R619	119-4721-15	1/10W 4.7k ohm
R236	119-4731-15	1/10W 47k ohm	R520	119-2721-15	1/10W 2.7k ohm	R701	119-1031-15	1/10W 10k ohm
R239	119-1031-15	1/10W 10k ohm	R521	119-4721-15	1/10W 4.7k ohm	R702	119-5611-15	1/10W 560 ohm
R240	119-1021-15	1/10W 1k ohm	R522	119-4721-15	1/10W 4.7k ohm	R703	111-1531-98	1/4W 15k ohm
R241	119-1021-15	1/10W 1k ohm	R523	119-1031-15	1/10W 10k ohm	R704	116-4791-15	1/4W 4.7 ohm
R242	119-1021-15	1/10W 1k ohm	R524	119-1031-15	1/10W 10k ohm	R705	119-0000-05	1/10W 0 ohm JW
R245	119-1031-15	1/10W 10k ohm	R525	119-2221-15	1/10W 2.2k ohm	R708	116-2721-15	1/4W 2.7k ohm
R246	119-1031-15	1/10W 10k ohm	R528	119-2221-15	1/10W 2.2k ohm	R709	116-4791-15	1/4W 4.7 ohm
R248	119-1021-15	1/10W 1k ohm	R529	119-2221-15	1/10W 2.2k ohm	R803	111-4711-98	1/4W 470 ohm
R249	119-0000-05	1/10W 0 ohm JW	R532	119-2221-15	1/10W 2.2k ohm	R804	111-1021-98	1/4W 1k ohm
R250	119-1031-15	1/10W 10k ohm	R549	119-1821-15	1/10W 1.8k ohm	R805	119-2231-15	1/10W 22k ohm
R251	119-0000-05	1/10W 0 ohm JW	R550	119-1821-15	1/10W 1.8k ohm	R806	119-4731-15	1/10W 47k ohm
R252	119-0000-05	1/10W 0 ohm JW	R551	119-3921-15	1/10W 3.9k ohm	R810	116-1091-15	1/4W 1 ohm
R253	119-1031-15	1/10W 10k ohm	R552	119-3921-15	1/10W 3.9k ohm	R811	119-1031-15	1/10W 10k ohm
R254	119-1031-15	1/10W 10k ohm	R553	119-1511-15	1/10W 150 ohm	R812	116-1221-15	1/4W 1.2k ohm
R260	119-1031-15	1/10W 10k ohm	R554	119-1511-15	1/10W 150 ohm	R814	111-2211-98	1/4W 220 ohm
R301	119-1021-15	1/10W 1k ohm	R555	119-1511-15	1/10W 150 ohm	R815	119-1041-15	1/10W 100k ohm
R302	119-1021-15	1/10W 1k ohm	R556	119-1511-15	1/10W 150 ohm	R818	111-3911-98	1/4W 390 ohm
R303	119-4731-15	1/10W 47k ohm	R557	119-1541-15	1/10W 150k ohm	R819	119-1041-15	1/10W 100k ohm
R304	119-4721-15	1/10W 4.7k ohm	R558	119-1541-15	1/10W 150k ohm	R822	111-2211-98	1/4W 220 ohm
R305	119-1021-15	1/10W 1k ohm	R559	119-1541-15	1/10W 150k ohm	R833	111-3911-98	1/4W 390 ohm
R306	119-2231-15	1/10W 22k ohm	R560	119-1541-15	1/10W 150k ohm	R901	119-1031-15	1/10W 10k ohm
R307	119-0000-05	1/10W 0 ohm JW	R561	119-1541-15	1/10W 150k ohm	R902	119-1021-15	1/10W 1k ohm
R308	119-4731-15	1/10W 47k ohm	R562	119-1541-15	1/10W 150k ohm	R903	119-3931-15	1/10W 39k ohm
R309	119-4731-15	1/10W 47k ohm	R563	119-1541-15	1/10W 150k ohm	R904	119-3321-15	1/10W 3.3k ohm
R310	119-4731-15	1/10W 47k ohm	R564	119-1541-15	1/10W 150k ohm	R905	119-3321-15	1/10W 3.3k ohm
R311	119-4731-15	1/10W 47k ohm	R565	119-1511-15	1/10W 150 ohm	R906	119-4731-15	1/10W 47k ohm
R312	032-0140-63	1/10W 27k ohm F	R566	119-1511-15	1/10W 150 ohm	R907	119-1841-15	1/10W 180k ohm
R313	032-0140-63	1/10W 27k ohm F	R567	119-1511-15	1/10W 150 ohm	R908	119-4721-15	1/10W 4.7k ohm
R314	119-3011-15	1/10W 300 ohm	R568	119-1511-15	1/10W 150 ohm	R910	119-1031-15	1/10W 10k ohm
R334	119-1821-15	1/10W 1.8k ohm	R569	119-2221-15	1/10W 2.2k ohm	SUP101	060-0122-10	DSP-201M-S00B
R335	119-1821-15	1/10W 1.8k ohm	R570	119-2221-15	1/10W 2.2k ohm	TC201	004-1580-02	11pF
R336	119-3931-15	1/10W 39k ohm	R571	119-1521-15	1/10W 1.5k ohm	TH801	002-0229-90	PTH8L05B
R337	119-3931-15	1/10W 39k ohm	R572	119-1521-15	1/10W 1.5k ohm	TM101	073-0762-90	TERMINAL
R342	119-4721-15	1/10W 4.7k ohm	R573	119-4731-15	1/10W 47k ohm	TM801	073-0762-90	TERMINAL
R343	119-4721-15	1/10W 4.7k ohm	R574	119-4731-15	1/10W 47k ohm	VR102	012-5203-56	10k ohm
R346	119-4721-15	1/10W 4.7k ohm	R575	119-8221-15	1/10W 8.2k ohm	X201	061-3055-00	4.5MHz
R347	119-4721-15	1/10W 4.7k ohm	R576	119-8221-15	1/10W 8.2k ohm	PWB	039-2755-01	PWB(WITHOUT COMPONENT)
R360	119-0000-05	1/10W 0 ohm JW	R577	119-1031-15	1/10W 10k ohm			

Switch PWB(B2) section

REF No.	PART No.	DESCRIPTION	REF No.	PART No.	DESCRIPTION	REF No.	PART No.	DESCRIPTION
C1101	166-8211-50	820pF	D1128	001-7063-96	RAY1102W	R1120	119-2221-15	1/10W 2.2k ohm
C1102	168-4732-78	0.047uF	D1129	001-7063-96	RAY1102W	R1121	119-2221-15	1/10W 2.2k ohm
C1103	168-4732-78	0.047uF	D1130	001-7063-96	RAY1102W	R1124	116-0000-05	1/4W 0 ohm
C1104	168-1042-78	16V 0.1uF	D1131	001-7063-96	RAY1102W	R1125	119-0000-05	1/10W 0 ohm JW
C1105	042-0416-59	10V33uF	D1132	001-7063-96	RAY1102W	R1126	119-0000-05	1/10W 0 ohm JW
CCT1101	050-0145-52	1/16W 1k ohm x4	D1133	001-7063-96	RAY1102W	R1129	119-1021-15	1/10W 1k ohm
CCT1102	050-0145-52	1/16W 1k ohm x4	D1134	001-7063-96	RAY1102W	R1145	117-0000-05	1/8W 0 ohm JW
D1100	001-7080-91	SML-512WWT864	D1135	001-7063-96	RAY1102W	R1146	117-0000-05	1/8W 0 ohm JW
D1101	001-7080-91	SML-512WWT864	D1136	001-7063-96	RAY1102W	R1147	117-0000-05	1/8W 0 ohm JW
D1102	001-7080-91	SML-512WWT864	D1137	001-7063-96	RAY1102W	R1148	117-0000-05	1/8W 0 ohm JW
D1103	001-7080-91	SML-512WWT864	D1138	001-7063-96	RAY1102W	R1149	117-0000-05	1/8W 0 ohm JW
D1104	001-7080-91	SML-512WWT864	D1139	001-7063-96	RAY1102W	S1101	013-6311-50	SWITCH
D1105	001-7080-91	SML-512WWT864	IC1101	051-6064-00	LC75883W	S1103	013-6311-50	SWITCH
D1106	001-7080-91	SML-512WWT864	J1102	074-3012-64	OUTLET SOCKET P14	S1104	013-6311-50	SWITCH
D1107	001-7080-91	SML-512WWT864	LCD101	379-1247-30	LCD	S1105	013-6311-50	SWITCH
D1108	001-7080-91	SML-512WWT864	R1101	119-6831-15	1/16W 68k ohm	S1106	013-6311-50	SWITCH
D1109	001-7080-91	SML-512WWT864	R1102	116-2711-15	1/4W 270 ohm	S1107	013-6311-50	SWITCH
D1110	001-7080-91	SML-512WWT864	R1103	116-2711-15	1/4W 270 ohm	S1108	013-6311-50	SWITCH
D1111	001-7080-91	SML-512WWT864	R1104	116-2711-15	1/4W 270 ohm	S1109	013-6311-50	SWITCH
D1112	001-7080-91	SML-512WWT864	R1105	116-2711-15	1/4W 270 ohm	S1110	013-6311-50	SWITCH
D1113	001-7080-91	SML-512WWT864	R1106	116-2711-15	1/4W 270 ohm	S1111	013-6311-50	SWITCH
D1114	001-7093-90	RAY1112H-75M	R1107	116-2711-15	1/4W 270 ohm	S1112	013-6311-50	SWITCH
D1115	001-7093-90	RAY1112H-75M	R1108	116-2711-15	1/4W 270 ohm	S1113	013-6311-50	SWITCH
D1116	001-7093-90	RAY1112H-75M	R1109	116-4711-15	1/4W 470 ohm	S1114	013-6311-50	SWITCH
D1117	001-7063-96	RAY1102W	R1110	116-3911-15	1/4W 390 ohm	S1115	013-6311-50	SWITCH
D1118	001-7063-96	RAY1102W	R1111	116-5611-15	1/4W 560 ohm	S1116	013-6311-50	SWITCH
D1119	001-7063-96	RAY1102W	R1112	116-3911-15	1/4W 390 ohm	S1117	013-6311-50	SWITCH
D1120	001-7063-96	RAY1102W	R1113	116-4711-15	1/4W 470 ohm	S1118	013-6311-50	SWITCH
D1121	001-7063-96	RAY1102W	R1114	116-4711-15	1/4W 470 ohm	S1119	013-6311-50	SWITCH 100gf
D1122	001-7063-96	RAY1102W	R1115	116-3911-15	1/4W 390 ohm	S1121	013-6311-50	SWITCH 100gf
D1123	001-7063-96	RAY1102W	R1116	116-3911-15	1/4W 390 ohm	TM1104	073-0778-90	TERMINAL
D1124	001-7063-96	RAY1102W	R1117	116-5611-15	1/4W 560 ohm	VR1101	016-0013-04	ROTARY ENCODER
D1125	001-7063-96	RAY1102W	R1118	116-8211-15	1/4W 820 ohm	PWB	039-2754-01	PWB(WITHOUT COMPONENT)
D1126	001-7063-96	RAY1102W	R1119	119-2221-15	1/10W 2.2k ohm			
D1127	001-7063-96	RAY1102W						

Sub PWB(B3) section

REF No.	PART No.	DESCRIPTION	REF No.	PART No.	DESCRIPTION	REF No.	PART No.	DESCRIPTION
J1001	074-1013-30	12P	P1001	076-0544-10	10P	PWB	039-2756-00	PWB(WITHOUT COMPONENT)
J1002	074-1298-10	8P	P1002	076-0544-08	8P			

CD PWB(B4) section:CD mechanism

*Refer to the parts list on page 10 of original manual.
The following parts were added. (Parts list omission.)

REF No.	PART No.	DESCRIPTION
CCT1	050-0140-54	1k ohm x 4

LED PWB(B5) section:CD mechanism

*Refer to the parts list on page 10 of original manual.
The following parts were changed.

REF No.	PART No.	DESCRIPTION
Q1	060-4015-91	PS1192HB-32-TR
Q2	060-4015-91	PS1192HB-32-TR