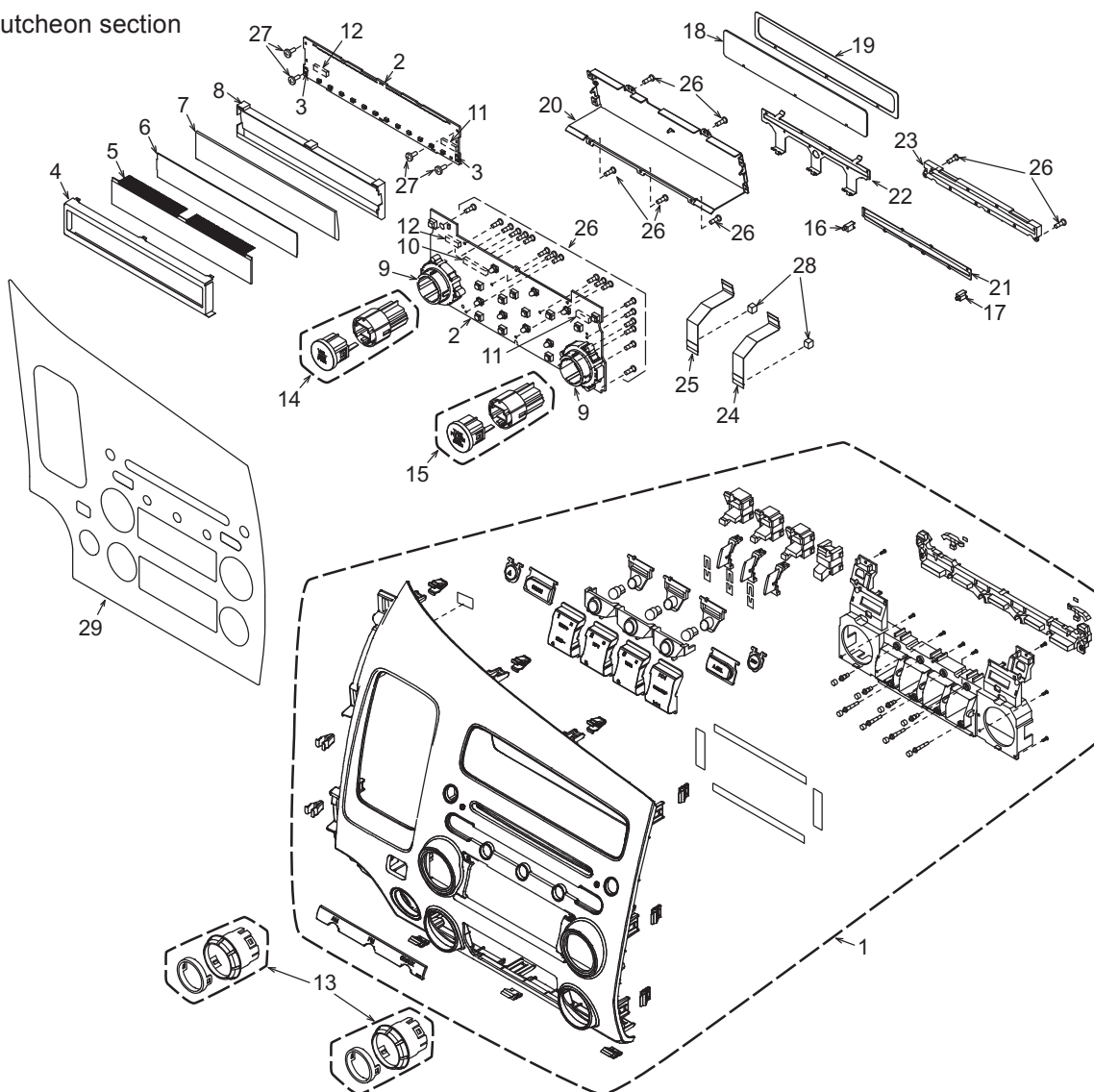


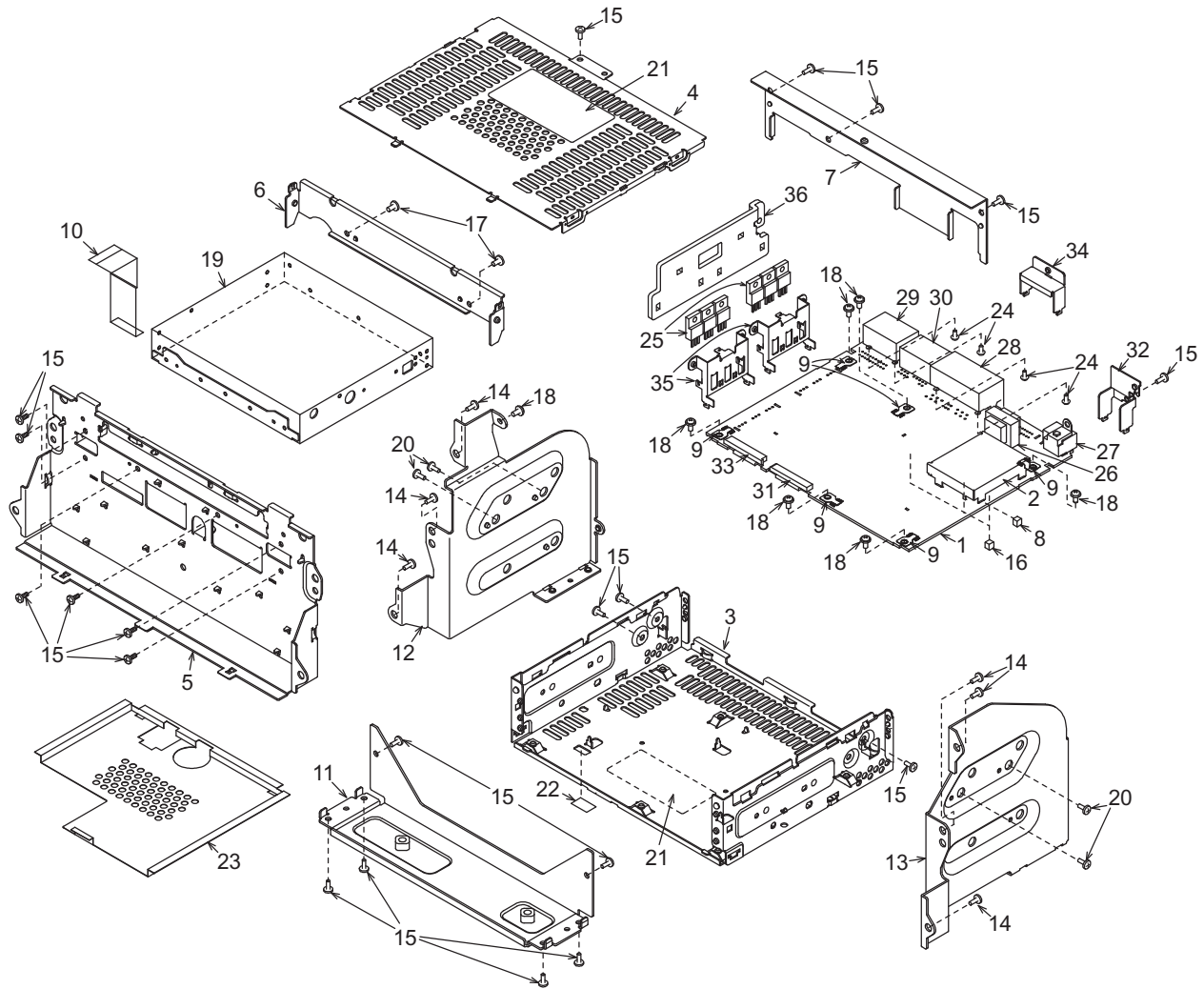
EXPLODED VIEW / PARTS LIST

Escutcheon section



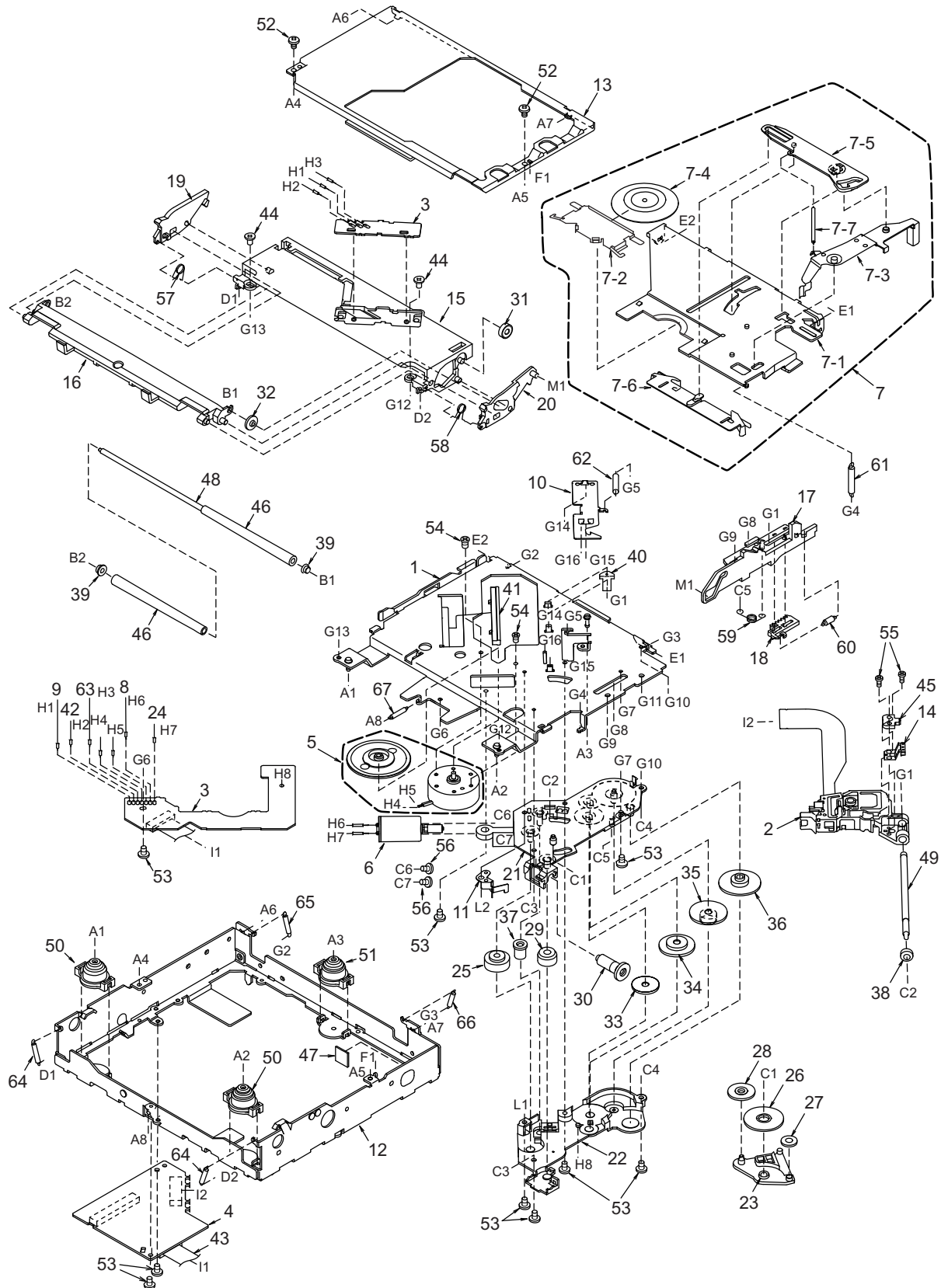
NO.	PART NO.	DESCRIPTION	Q'TY	NO.	PART NO.	DESCRIPTION	Q'TY
1	940-8109-10	ESCUTCHEON-ASSY (for PH-2761C-A)	1	14	382-7545-00	BUTTON-ASSY-L (for PH-2761C-A/C-C/C-D/C-E)	1
	940-8109-50	ESCUTCHEON-ASSY (for PH-2761C-B)			382-7545-40	BUTTON-ASSY-L (for PH-2761C-B)	
	940-8109-60	ESCUTCHEON-ASSY (for PH-2761C-C)		15	382-7546-00	BUTTON-ASSY-R (for PH-2761C-A/C-C/C-D/C-E)	1
	940-8109-70	ESCUTCHEON-ASSY (for PH-2761C-D)			382-7546-40	BUTTON-ASSY-R (for PH-2761C-B)	
	940-8109-80	ESCUTCHEON-ASSY (for PH-2761C-E)		16	335-7596-00	INDICATOR-L	1
2	-----	SWITCH PWB	1	17	335-7597-00	INDICATOR-R	1
3	073-0786-90	TERMINAL	2	18	373-1078-00	DIAL-CVR	1
4	331-4067-00	LCD COVER	1	19	345-5588-00	CUSSION SHEET	1
5	379-1339-43	LCD(INDICATOR) (for PH-2761C-A/C-B/C-C)	1	20	331-4063-00	LCD PLATE	1
	379-1339-42	LCD(INDICATOR) (for PH-2761C-D/C-E)		21	346-0179-00	LEATHER SHEET	1
6	335-7636-00	COLOR FILTER	1	22	331-4146-00	SHIELD PLATE	1
7	335-7601-00	LCD ILLUMI	1	23	335-7598-00	DISC GUIDE	1
8	335-7602-00	ILLUMI HOLDER	1	24	816-4014-51	FLAT WIRE(14P)	1
9	016-7003-00	ROTARY ENODER	2	25	816-4013-51	FLAT WIRE(12P)	1
10	074-3014-74	OUTLET SOCKET(24P)	1	26	716-0778-51	SCREW(M2x6)	25
11	074-1158-64	OUTLET SOCKET(14P)	2	27	716-1670-01	SCREW(M2x4)	4
12	074-1158-62	OUTLET SOCKET(12P)	2	28	345-8581-03	GASKET	2
13	380-5645-00	KNOB ASSY	2	29	347-7841-00	PROTECTOR	1

Main section



NO.	PART NO.	DESCRIPTION	Q'TY	NO.	PART NO.	DESCRIPTION	Q'TY
1	-----	MAIN PWB	1	20	714-5008-8B	MACHINE SCREW(M5.0x8)	4
2	880-2091G	TUNER PACK	1	21	286-6685-01 286-6685-03 286-6685-04 286-6685-07 286-6685-08	SETPLATE(for PH-2761C-A) SETPLATE(for PH-2761C-B) SETPLATE(for PH-2761C-C) SETPLATE(for PH-2761C-D) SETPLATE(for PH-2761C-E)	1
3	311-1910-00	LOWER CASE	1	22	347-7806-00	SOCKET CVR	1
4	310-1817-00	UPPER CASE	1	23	347-7805-00	MECH CVR	1
5	331-4068-00	ES-PLATE	1	24	778-3005-00	TAP SCREW(M3x5)	4
6	331-4069-00	MECH-BRKT	1	25	103-2394-00	TRANSISTOR	6
7	307-0716-00	REAR-CVR	1	26	009-0670-80	CHOKE	1
8	345-8581-03	GASKET	1	27	092-2209-00	ANT-RECEPT	1
9	073-0762-90	TERMINAL	6	28	074-4016-17	OUTLET SOCKET(17P)	1
10	816-4015-50	FLAT WIRE	1	29	074-4017-20	OUTLET SOCKET(20P)	1
11	300-8066-00	MTG-BRKT(LOW)	1	30	074-1168-14	OUTLET SOCKET(GA-NET)	1
12	300-8064-00	MTG-BRKT(L)	1	31	074-1237-77	OUTLET SOCKET(MECH)	1
13	300-8065-00	MTG-BRKT(R)	1	32	331-4065-00	ANT HOLDER	1
14	716-3559-00	SCREW(M4.7x12)	6	33	076-3011-74	PLUG(SW)	1
15	714-2606-8B	MACHINE SCREW(M2.6x6)	20	34	331-3769-00	OUTLET HOLDER	1
16	345-8720-00	GASKET	3	35	331-4066-00	TR HOLDER	2
17	714-2603-8A	MACHINE SCREW(M2.6x3)	2	36	313-1948-00	SUB HEAT SINK	1
18	716-0878-50	SCREW(M2.6x5)	7				
19	929-0292-80	CD-MECH-MODULE	1				

CD mechanism section



NO.	PART NO.	DESCRIPTION	Q'TY	NO.	PART NO.	DESCRIPTION	Q'TY
1	966-0595-27	DRIVE PLATE ASSY	1	31	621-0720-20	ROLLER GEAR C	1
2	969-0071-30	PICK UP UNIT	1	32	621-0721-20	ROLLER GEAR D	1
3	-----	SENSOR PWB	1	33	621-0616-20	POWER GEAR A	1
4	-----	CD PWB	1	34	621-0617-20	POWER GEAR B	1
5	SMA-182-100	MOTOR ASSY(SPINDLE)	1	35	621-0618-20	POWER GEAR C	1
6	SMA-183-100	MOTOR ASSY(SLED)	1	36	621-0619-20	POWER GEAR D	1
7	HBS-533-100	CLAMPER SUB ASSY	1	37	621-0620-20	THREAD GEAR A	1
7-1	620-1022-27	CLAMPER LINK	1	38	621-0621-20	THREAD GEAR B	1
7-2	620-1023-23	CLAMPER PLATE	1	39	621-1726-20	ROLLER SLEEVE	2
7-3	620-1721-21	SENSOR ARM	1	40	621-0623-23	LS-HOLDER	1
7-4	621-0708-20	CLAMPER RING	1	41	621-0624-22	GUIDE RAIL	1
7-5	621-0626-21	STOPPER LINK	1	42	816-2593-00	LEAD WIRE(PUR)	1
7-6	621-0627-21	DISC STOPPER	1	43	816-2542-01	FLAT WIRE(10P)	1
7-7	750-3471-20	SENSOR SPRING	1	44	716-3473-00	IT SCREW(M2 x 3)	2
8	803-4906-60	VINYL COAT WIRE(ORG)	1	45	621-1729-20	SH-BASE	1
9	816-2591-00	LEAD WIRE(YEL)	1	46	621-0629-20	LOADING ROLLER	2
10	620-1025-23	ID-LOCK PLATE	1	47	345-5476-20	CUSHION RUBBER	1
11	620-1026-21	SPRING PLATE	1	48	622-1571-21	ROLLER SHAFT	1
12	620-1027-28	LOWER CHASSIS	1	49	624-0018-01	LEAD SCREW	1
13	620-1028-25	UPPER CHASSIS	1	50	629-0081-21	DAMPER F	2
14	966-1722-20	SH-RACK ASSY	1	51	629-0082-21	DAMPER R	1
15	621-0598-27	UPPER GUIDE	1	52	780-2003-01	MACHINE SCREW(M2 x 3)	2
16	621-0718-21	ROLLER GUIDE	1	53	716-1507-00	SCREW(M2 x 3)	9
17	621-0600-26	SHIFT LEVER	1	54	716-1733-00	SCREW(M1.7 x 2.3)	2
18	621-1735-20	RACK	1	55	716-3469-01	SCREW(M3 x 4)	2
19	621-0602-22	LOCK ARM L	1	56	716-3551-00	SCREW(M1.4 x 2.5)	2
20	621-0603-25	LOCK ARM R	1	57	750-3465-21	ROLLER SPRING L	1
21	621-0724-21	GEAR BASE	1	58	750-3466-20	ROLLER SPRING R	1
22	621-0605-22	GEAR COVER	1	59	750-3467-21	SHIFT SPRING	1
23	621-1719-20	IDLE CASE	1	60	750-3468-20	RACK SPRING	1
24	816-2590-00	VINYL COAT WIRE(GRN)	1	61	750-3469-20	CLAMPER SPRING	1
25	621-0608-21	SECOND GEAR	1	62	750-3470-20	ID-LOCK SPRING	1
26	621-0609-20	BASE GEAR	1	63	816-2592-00	LEAD WIRE(BLU)	1
27	621-0610-20	IDLE GEAR A	1	64	750-3472-21	DR-SPRING F	2
28	621-0611-20	IDLE GEAR B	1	65	750-3473-20	DR-SPRING RA	1
29	621-0612-21	ROLLER GEAR A	1	66	750-3474-20	DR-SPRING RB	1
30	621-0719-20	ROLLER GEAR B	1	67	750-3475-21	DR-SPRING C	1

ELECTRICAL PARTS LIST

* DESCRIPTION

C-A : for PH-2761C-A / C-B : for PH-2761C-B / C-C : for PH-2761C-C

Main PWB section(B1)

C-D : for PH-2761C-D / C-E : for PH-2761C-E

REF No.	PART No.	DESCRIPTION	REF No.	PART No.	DESCRIPTION	REF No.	PART No.	DESCRIPTION
ANT101	092-2209-00	ANTENNA RECEPT	C425	166-1011-50	100pF CH	C558	178-2222-78	2200pF
BL101	880-2091G	TUNER PACK	C426	168-1042-78	16V 0.1uF	C559	178-2222-78	2200pF
C101	166-1511-50	150pF CH	C427	168-1042-78	16V 0.1uF	C560	178-2222-78	2200pF
C102	166-2201-50	22pF CH	C428	168-1042-78	16V 0.1uF	C563	178-1042-78	0.1uF
C103	168-1022-55	1000pF K	C429	168-5622-55	5600pF K	C564	163-4763-35	16V 47uF
C104	163-1073-35	16V 100uF	C430	168-5622-55	5600pF K	C596	166-5611-50	560pF CH
C105	168-1022-55	1000pF K	C431	163-4753-55	35V 4.7uF	C597	166-5611-50	560pF CH
C106	163-1073-35	16V 100uF	C432	168-1042-78	16V 0.1uF	C598	166-5611-50	560pF CH
C107	168-1022-55	1000pF K	C433	168-1042-78	16V 0.1uF	C599	166-5611-50	560pF CH
C108	168-1022-55	1000pF K	C434	168-2232-55	0.022uF K	C602	163-1063-35	16V 10uF
C109	168-1022-55	1000pF K	C435	163-1073-15	6.3V 100uF	C603	163-1063-35	16V 10uF
C110	168-1022-55	1000pF K	C436	168-1042-78	16V 0.1uF	C604	163-1063-35	16V 10uF
C111	168-1022-55	1000pF K	C437	043-0504-50	10V 4.7uF	C605	163-1063-35	16V 10uF
C112	163-1063-35	16V 10uF	C438	168-4732-78	0.047uF K	C607	163-1063-35	16V 10uF
C113	163-4763-35	16V 47uF	C439	163-2263-15	6.3V 22uF	C608	163-1063-35	16V 10uF
C115	166-2211-50	220pF CH	C440	168-1042-78	16V 0.1uF	C609	163-1063-35	16V 10uF
C201	166-1007-50	10pF CH	C441	168-1042-78	16V 0.1uF	C610	163-1063-35	16V 10uF
C202	166-1007-50	10pF CH	C442	168-1022-55	1000pF K	C611	166-1011-50	100pF CH
C203	168-1042-78	16V 0.1uF	C443	168-2232-55	0.022uF K	C612	166-1011-50	100pF CH
C204	168-1042-78	16V 0.1uF	C444	163-1063-35	16V 10uF	C613	166-1011-50	100pF CH
C205	168-1042-78	16V 0.1uF	C445	178-1052-78	1uF	C614	166-1011-50	100pF CH
C206	168-1042-78	16V 0.1uF	C446	168-1042-78	16V 0.1uF	C615	163-2253-65	50V 2.2uF
C207	168-1042-78	16V 0.1uF	C447	168-3332-78	0.033uF K	C616	163-2253-65	50V 2.2uF
C208	168-1042-78	16V 0.1uF	C448	178-1052-78	1uF	C617	163-2253-65	50V 2.2uF
C209	168-1042-78	16V 0.1uF	C449	168-2222-55	2200pF K	C618	163-2253-65	50V 2.2uF
C210	168-1042-78	16V 0.1uF	C450	168-2222-55	2200pF K	C619	166-1011-50	100pF CH
C211	168-1042-78	16V 0.1uF	C451	168-2222-55	2200pF K	C620	166-1011-50	100pF CH
C212	043-0559-90	6.3V 22uF	C452	168-2222-55	2200pF K	C621	166-1011-50	100pF CH
C213	168-1042-78	16V 0.1uF	C453	168-2232-55	0.022uF K	C622	166-1011-50	100pF CH
C214	168-1042-78	16V 0.1uF	C454	168-4712-55	470pF K	C623	163-2253-65	50V 2.2uF
C215	042-1710-90	6.3V 100uF	C458	168-1042-78	16V 0.1uF	C624	163-2253-65	50V 2.2uF
C216	168-1042-78	16V 0.1uF	C459	168-1042-78	16V 0.1uF	C625	163-2253-65	50V 2.2uF
C217	168-1042-78	16V 0.1uF	C460	168-2232-55	0.022uF K	C626	163-2253-65	50V 2.2uF
C218	168-1042-78	16V 0.1uF	C461	163-2263-15	6.3V 22uF	C701	178-1052-78	1uF
C219	168-1042-78	16V 0.1uF	C462	168-1042-78	16V 0.1uF	C702	168-1032-55	0.01uF K
C220	163-4763-35	16V 47uF	C463	163-3373-15	6.3V 330uF	C703	168-1022-55	1000pF K
C221	042-1710-90	6.3V 100uF	C464	168-1042-78	16V 0.1uF	C704	168-1042-78	16V 0.1uF
C222	163-2263-15	6.3V 22uF	C465	163-2273-25	10V 220uF	C705	163-4753-55	35V 4.7uF
C223	163-1063-35	16V 10uF	C466	168-1042-78	16V 0.1uF	C706	168-1022-55	1000pF K
C224	168-1042-78	16V 0.1uF	C467	043-0554-90	25V 10uF	C707	168-1022-55	1000pF K
C225	168-1042-78	16V 0.1uF	C472	163-2263-15	6.3V 22uF	C708	168-1042-78	16V 0.1uF
C226	043-0559-90	6.3V 22uF	C473	163-2263-15	6.3V 22uF	C709	042-0643-52	6.3V 1000uF
C227	043-0559-90	6.3V 22uF	C474	163-2263-15	6.3V 22uF	C710	163-4753-55	35V 4.7uF
C228	042-1709-90	6.3V 47uF	C475	163-2263-15	6.3V 22uF	C711	166-1801-50	18pF CH
C301	178-1022-78	1000pF	C477	166-5611-50	560pF CH	C712	166-1801-50	18pF CH
C302	178-1022-78	1000pF	C478	166-5611-50	560pF CH	C713	163-1063-35	16V 10uF
C303	168-1032-55	0.01uF K	C479	166-5611-50	560pF CH	C714	166-1201-50	12pF CH
C381	166-1511-50	150pF CH	C480	166-5611-50	560pF CH	C715	043-0499-51	0.1uF
C382	166-1511-50	150pF CH	C481	166-2201-50	22pF CH	C716	178-1052-78	1uF
C383	166-1511-50	150pF CH	C482	166-2201-50	22pF CH	C718	163-1063-35	16V 10uF
C384	166-1511-50	150pF CH	C483	166-2201-50	22pF CH	C719	168-1032-55	0.01uF K
C401	163-2253-65	50V 2.2uF	C484	166-2201-50	22pF CH	C720	168-1032-55	0.01uF K
C402	163-2253-65	50V 2.2uF	C485	166-5611-50	560pF CH	C721	168-1042-78	16V 0.1uF
C403	163-2253-65	50V 2.2uF	C486	166-5611-50	560pF CH	C723	178-2242-78	0.22uF
C404	163-2253-65	50V 2.2uF	C487	166-5611-50	560pF CH	C724	163-2243-65	50V 0.22uF
C405	163-2253-65	50V 2.2uF	C488	166-5611-50	560pF CH	C725	042-0643-52	6.3V 1000uF
C406	163-2253-65	50V 2.2uF	C491	168-1042-78	16V 0.1uF	C726	043-0554-90	25V 10uF
C407	163-4753-55	35V 4.7uF	C493	043-0554-90	25V 10uF	C727	168-1042-78	16V 0.1uF
C408	168-1042-78	16V 0.1uF	C494	043-0554-90	25V 10uF	C728	168-1042-78	16V 0.1uF
C409	166-1811-50	180pF CH	C495	168-1042-78	16V 0.1uF	C729	042-1678-00	16V 470uF
C410	163-2253-65	50V 2.2uF	C496	163-1073-15	6.3V 100uF	C734	168-1042-78	16V 0.1uF
C411	163-2253-65	50V 2.2uF	C497	163-4763-15	6.3V 47uF	C735	043-0499-51	0.1uF
C412	166-1007-50	10pF CH	C498	168-3322-55	3300pF K	C803	168-1042-78	16V 0.1uF
C413	166-1007-50	10pF CH	C499	168-3322-55	3300pF K	C901	168-1032-55	0.01uF K
C414	168-1022-55	1000pF K	C500	168-1042-78	16V 0.1uF	C902	163-2263-35	16V 22uF
C415	166-1511-50	150pF CH	C502	163-1063-35	16V 10uF	C903	168-1042-78	16V 0.1uF
C416	166-1511-50	150pF CH	C503	168-1042-78	16V 0.1uF	C904	163-2263-35	16V 22uF
C417	166-1511-50	150pF CH	C504	178-1042-78	0.1uF	C905	166-1011-50	100pF CH
C418	166-1511-50	150pF CH	C547	043-0499-51	0.1uF	C906	168-1032-55	0.01uF K
C419	163-4753-55	35V 4.7uF	C548	189-3383-31	16V 3300uF	C907	168-1022-55	1000pF K
C420	168-1042-78	16V 0.1uF	C549	178-2222-78	2200pF	C909	163-2263-35	16V 22uF
C421	163-4753-55	35V 4.7uF	C550	178-2222-78	2200pF	C910	168-1032-55	0.01uF K
C422	168-1042-78	16V 0.1uF	C551	178-2222-78	2200pF	C911	168-3332-78	0.033uF K
C423	168-1022-55	1000pF K	C552	178-2222-78	2200pF	C912	163-1073-15	6.3V 100uF
C424	168-1022-55	1000pF K	C557	178-2222-78	2200pF	C913	168-1042-78	16V 0.1uF

REF No.	PART No.	DESCRIPTION	REF No.	PART No.	DESCRIPTION	REF No.	PART No.	DESCRIPTION
C914	168-1022-55	1000pF K	L415	010-2198-51	0.22uH	R214	119-1031-15	1/10W 10k ohm
D101	001-2403-90	M1F60	L416	010-3105-62	1k ohm/100MHz	R215	116-6811-15	1/4W 680 ohm
D102	001-2403-90	M1F60	L701	010-3406-66	NLV25 22uH J	R301	116-1211-15	1/4W 120 ohm
D103	001-0516-90	MA111	L702	010-3406-66	NLV25 22uH J	R302	116-6801-15	1/4W 68 ohm
D104	001-0516-90	MA111	L703	010-3406-66	NLV25 22uH J	R303	116-1011-15	1/4W 100 ohm
D105	001-0529-28	MA8051-L	L704	010-3406-66	NLV25 22uH J	R304	116-1011-15	1/4W 100 ohm
D106	001-0529-47	MA8091-M	L705	010-3105-62	1k ohm/100MHz	R305	119-1031-15	1/10W 10k ohm
D201	001-0529-45	MA8082-H	L706	010-2285-51	120 ohm/100MHz	R306	119-3321-15	1/10W 3.3k ohm
D301	001-0529-69	MA8180-M	P701	076-3011-74	24P PLUG	R307	119-4721-15	1/10W 4.7k ohm
D302	001-0529-32	MA8056-M	Q101	125-2027-91	DTC114EU	R308	119-4721-15	1/10W 4.7k ohm
D303	001-0529-32	MA8056-M	Q102	190-1736-00	2SA1736	R311	119-3321-15	1/10W 3.3k ohm
D501	001-0516-90	MA111	Q103	125-2027-91	DTC114EU	R401	119-3331-15	1/10W 33k ohm
D502	001-0592-00	RM4Z	Q104	191-1197-50	2SB1197K Q,R	R402	119-3331-15	1/10W 33k ohm
D503	001-2403-90	M1F60	Q105	125-2027-90	DTC143EU	R403	119-3331-15	1/10W 33k ohm
D504	001-2403-90	M1F60	Q106	190-1736-00	2SA1736	R404	119-3331-15	1/10W 33k ohm
D505	001-2403-90	M1F60	Q107	193-1664-00	2SD1664 P,Q,R	R405	119-3331-15	1/10W 33k ohm
D701	001-0504-42	HZS7C3L	Q108	193-1664-00	2SD1664 P,Q,R	R406	119-3331-15	1/10W 33k ohm
D702	001-0529-43	MA8082-L	Q109	125-0021-91	DTA114EU	R407	119-3331-15	1/10W 33k ohm
D708	001-2403-90	M1F60	Q110	125-2027-91	DTC114EU	R408	119-3331-15	1/10W 33k ohm
D711	001-0516-90	MA111	Q203	103-2394-00	2SD2394	R412	119-1031-15	1/10W 10k ohm
D712	001-0516-90	MA111	Q204	125-2027-91	DTC114EU	R413	119-1021-15	1/10W 1k ohm
D713	001-0516-90	MA111	Q205	125-0021-91	DTA114EU	R415	119-1031-15	1/10W 10k ohm
D714	001-0516-90	MA111	Q301	193-1664-00	2SD1664 P,Q,R	R416	119-1031-15	1/10W 10k ohm
D718	001-0516-90	MA111	Q403	125-7005-90	PHK04P02T	R421	119-1001-15	1/10W 10 ohm
D719	001-0516-90	MA111	Q516	125-2027-91	DTC114EU	R425	119-3331-15	1/10W 33k ohm
D804	001-0535-90	MA729	Q517	190-1736-00	2SA1736	R426	119-3331-15	1/10W 33k ohm
D805	001-0516-90	MA111	Q521	125-2027-91	DTC114EU	R427	119-3331-15	1/10W 33k ohm
D806	001-0516-90	MA111	Q522	125-0021-91	DTA114EU	R429	119-3331-15	1/10W 33k ohm
D901	001-0529-44	MA8082-M	Q701	192-4081-00	2SC4081	R439	119-1031-15	1/10W 10k ohm
D902	001-0529-47	MA8091-M	Q702	192-4081-00	2SC4081	R440	119-1031-15	1/10W 10k ohm
D903	001-2403-90	M1F60	Q711	125-2027-91	DTC114EU	R441	119-1011-15	1/10W 100 ohm
D904	001-2403-90	M1F60	Q712	125-0021-91	DTA114EU	R442	119-1011-15	1/10W 100 ohm
IC201	051-6711-10	TC94A34FG-002	Q803	125-2027-91	DTC114EU	R444	119-1011-15	1/10W 100 ohm
IC202	051-3354-90	BA33BC0WFP	Q901	103-2394-00	2SD2394	R445	119-1011-15	1/10W 100 ohm
IC203	051-3322-90	BA15BC0WFP	Q902	192-4081-00	2SC4081	R446	119-1011-15	1/10W 100 ohm
IC204	051-3322-90	BA15BC0WFP	Q904	103-2394-00	2SD2394	R448	119-1031-15	1/10W 10k ohm
IC301	051-6648-90	HA12240FP-EL	Q905	192-4081-00	2SC4081	R449	119-1031-15	1/10W 10k ohm
IC401	-----	-----	Q906	125-2027-91	DTC114EU	R451	119-3321-15	1/10W 3.3k ohm
IC403	051-3019-90	NJM2060V	Q907	125-0021-92	DTA124EUA	R454	119-1011-15	1/10W 100 ohm
IC404	051-3354-90	BA33BC0WFP	Q908	192-4081-00	2SC4081	R455	119-1001-15	1/10W 10 ohm
IC506	051-3034-90	NJM4558V	Q909	192-4081-00	2SC4081	R458	119-1021-15	1/10W 1k ohm
IC601	051-3015-90	NJM4580M	Q912	103-2394-00	2SD2394	R459	119-1021-15	1/10W 1k ohm
IC602	051-3015-90	NJM4580M	Q913	103-2394-00	2SD2394	R460	119-1021-15	1/10W 1k ohm
IC603	051-3015-90	NJM4580M	Q914	103-2394-00	2SD2394	R461	119-1021-15	1/10W 1k ohm
IC604	051-3015-90	NJM4580M	Q915	125-2027-91	DTC114EU	R462	119-6821-15	1/10W 6.8k ohm
IC701	051-5423-08	S-80929CLMC-G6Z	Q916	125-0021-91	DTA114EU	R463	119-6821-15	1/10W 6.8k ohm
IC702	051-9423-90	BR93L86REV-W E2	Q921	125-2027-91	DTC114EU	R464	119-6821-15	1/10W 6.8k ohm
IC703	052-3197-90	uPD70F3273YGC-8EA	Q922	125-0021-91	DTA114EU	R465	119-6821-15	1/10W 6.8k ohm
IC704	051-5811-90	L9637D	R101	116-1521-15	1/4W 1.5k ohm	R466	119-6821-15	1/10W 6.8k ohm
IC705	051-3403-90	NJM2903V	R102	119-4731-15	1/10W 47k ohm	R467	119-6821-15	1/10W 6.8k ohm
IC706	051-3344-90	BD3930FP-E2	R105	119-1041-15	1/10W 100k ohm	R470	119-4731-15	1/10W 47k ohm
IC902	051-3218-90	TA76431F	R106	119-1521-15	1/10W 1.5k ohm	R471	119-4731-15	1/10W 47k ohm
J101	074-4016-17	SOCKET 17P	R107	116-5691-15	1/4W 5.6 ohm	R476	119-4731-15	1/10W 47k ohm
J201	074-1237-77	27P SOCKET	R108	119-1031-15	1/10W 10k ohm	R477	119-4731-15	1/10W 47k ohm
J301	074-1168-14	OUTLET SOCKET	R109	119-1011-15	1/10W 100 ohm	R480	119-6821-15	1/10W 6.8k ohm
J302	074-4017-20	SOCKET 20P	R110	119-6821-15	1/10W 6.8k ohm	R481	119-6821-15	1/10W 6.8k ohm
J702	076-6000-56	SOCKET 6P	R111	119-6821-15	1/10W 6.8k ohm	R482	119-3331-15	1/10W 33k ohm
L101	010-2003-04	30uH	R112	119-1011-15	1/10W 100 ohm	R483	119-3331-15	1/10W 33k ohm
L102	010-3104-50	30 ohm/100MHz	R113	119-1011-15	1/10W 100 ohm	R484	119-3331-15	1/10W 33k ohm
L103	010-4011-10	COIL 805CN-0817Y	R114	117-2721-15	1/8W 2.7k ohm	R485	119-3331-15	1/10W 33k ohm
L201	010-3104-50	30 ohm/100MHz	R115	119-1011-15	1/10W 100 ohm	R486	119-3331-15	1/10W 33k ohm
L202	010-3104-50	30 ohm/100MHz	R116	119-1031-15	1/10W 10k ohm	R487	119-3331-15	1/10W 33k ohm
L203	010-3104-50	30 ohm/100MHz	R117	119-1011-15	1/10W 100 ohm	R488	119-3331-15	1/10W 33k ohm
L401	010-3105-62	1k ohm/100MHz	R118	116-2291-15	1/4W 2.2 ohm	R489	119-3331-15	1/10W 33k ohm
L402	010-3105-62	1k ohm/100MHz	R119	116-2291-15	1/4W 2.2 ohm	R501	117-4711-15	1/8W 470 ohm
L403	010-3105-62	1k ohm/100MHz	R120	116-6811-15	1/4W 680 ohm	R572	119-4731-15	1/10W 47k ohm
L404	010-3105-62	1k ohm/100MHz	R121	119-1011-15	1/10W 100 ohm	R577	116-1521-15	1/4W 1.5k ohm
L405	010-3105-62	1k ohm/100MHz	R122	119-1011-15	1/10W 100 ohm	R578	119-4731-15	1/10W 47k ohm
L406	010-3105-62	1k ohm/100MHz	R201	119-1521-15	1/10W 1.5k ohm	R579	119-4731-15	1/10W 47k ohm
L407	010-3105-62	1k ohm/100MHz	R202	119-2251-15	1/10W 2.2M ohm	R603	119-2221-15	1/10W 2.2k ohm
L408	010-3105-62	1k ohm/100MHz	R203	119-2211-15	1/10W 2.2M ohm	R604	119-2221-15	1/10W 2.2k ohm
L409	010-3105-62	1k ohm/100MHz	R204	119-1031-15	1/10W 10k ohm	R605	119-2221-15	1/10W 2.2k ohm
L410	010-3105-62	1k ohm/100MHz	R205	119-1031-15	1/10W 10k ohm	R606	119-2221-15	1/10W 2.2k ohm
L411	010-3105-62	1k ohm/100MHz	R209	119-1031-15	1/10W 10k ohm	R607	119-4731-15	1/10W 47k ohm
L412	010-3105-62	1k ohm/100MHz	R210	119-3331-15	1/10W 33k ohm	R608	119-4731-15	1/10W 47k ohm
L413	010-3105-62	1k ohm/100MHz	R211	119-3321-15	1/10W 3.3k ohm	R609	119-4731-15	1/10W 47k ohm
L414	010-3105-62	1k ohm/100MHz	R212	119-3331-15	1/10W 33k ohm	R610	119-4731-15	1/10W 47k ohm
			R213	119-3321-15	1/10W 3.3k ohm	R611	119-4711-15	1/10W 470 ohm

REF No.	PART No.	DESCRIPTION	REF No.	PART No.	DESCRIPTION	REF No.	PART No.	DESCRIPTION
R612	119-4711-15	1/10W 470 ohm	R722	119-3331-15	1/10W 33k ohm	R796	119-1031-15	1/10W 10k ohm
R613	119-4711-15	1/10W 470 ohm	R723	119-1031-15	1/10W 10k ohm	R797	116-3011-15	1/4W 300 ohm
R614	119-4711-15	1/10W 470 ohm	R724	119-3331-15	1/10W 33k ohm	R798	119-1021-15	1/10W 1k ohm
R615	119-1031-15	1/10W 10k ohm	R725	119-2221-15	1/10W 2.2k ohm	R799	119-3331-15	1/10W 33k ohm
R616	119-4731-15	1/10W 47k ohm	R726	119-3331-15	1/10W 33k ohm	R800	119-3331-15	1/10W 33k ohm
R617	119-4731-15	1/10W 47k ohm	R727	119-3331-15	1/10W 33k ohm	R801	119-1031-15	1/10W 10k ohm
R618	119-4731-15	1/10W 47k ohm	R728	119-3331-15	1/10W 33k ohm	R802	119-3331-15	1/10W 33k ohm
R619	119-1031-15	1/10W 10k ohm	R729	119-1641-15	1/10W 160k ohm	R803	119-1031-15	1/10W 10k ohm
R620	119-4731-15	1/10W 47k ohm	R730	119-1021-15	1/10W 1k ohm	R804	119-1031-15	1/10W 10k ohm
R621	119-1031-15	1/10W 10k ohm	R731	119-1031-15	1/10W 10k ohm	R805	119-3331-15	1/10W 33k ohm
R622	119-1031-15	1/10W 10k ohm	R732	119-2221-15	1/10W 2.2k ohm	R808	119-1031-15	1/10W 10k ohm
R623	119-2231-15	1/10W 22k ohm	R733	119-1021-15	1/10W 1k ohm	R811	119-1031-15	1/10W 10k ohm
R624	119-2231-15	1/10W 22k ohm	R734	116-1011-15	1/4W 100 ohm			(for C-E)
R625	119-2231-15	1/10W 22k ohm	R735	119-1041-15	1/10W 100k ohm	R812	119-1031-15	1/10W 10k ohm
R626	119-2231-15	1/10W 22k ohm	R736	119-3331-15	1/10W 33k ohm			(for C-A,B)
R627	117-1011-15	1/8W 100 ohm	R737	119-1041-15	1/10W 100k ohm	R813	119-1031-15	1/10W 10k ohm
R628	117-1011-15	1/8W 100 ohm	R738	119-3331-15	1/10W 33k ohm			(for C-C)
R629	117-1011-15	1/8W 100 ohm	R739	119-3331-15	1/10W 33k ohm	R814	119-1031-15	1/10W 10k ohm
R630	117-1011-15	1/8W 100 ohm	R740	119-1031-15	1/10W 10k ohm			(for C-D,E)
R631	117-1041-15	1/8W 100k ohm	R741	119-1011-15	1/10W 100 ohm	R901	116-2711-15	1/4W 270 ohm
R632	117-1041-15	1/8W 100k ohm	R742	119-1011-15	1/10W 100 ohm	R902	119-1021-15	1/10W 1k ohm
R633	117-1041-15	1/8W 100k ohm	R743	119-1031-15	1/10W 10k ohm	R903	116-0000-05	1/4W 0 ohm
R634	117-1041-15	1/8W 100k ohm	R744	119-3331-15	1/10W 33k ohm	R904	119-1031-15	1/10W 10k ohm
R635	119-4731-15	1/10W 47k ohm	R745	119-3331-15	1/10W 33k ohm	R905	116-4311-15	1/4W 430 ohm
R636	119-1031-15	1/10W 10k ohm	R746	119-1021-15	1/10W 1k ohm	R907	116-1021-15	1/4W 1k ohm
R637	119-4731-15	1/10W 47k ohm	R747	119-1021-15	1/10W 1k ohm	R909	119-0000-05	1/10W 0 ohm JW
R638	119-4731-15	1/10W 47k ohm	R748	119-1021-15	1/10W 1k ohm	R910	119-2231-15	1/10W 22k ohm
R639	119-1031-15	1/10W 10k ohm	R749	119-1021-15	1/10W 1k ohm	R911	116-3311-15	1/4W 33k ohm
R640	119-4731-15	1/10W 47k ohm	R750	119-4721-15	1/10W 4.7k ohm	R912	119-1031-15	1/10W 10k ohm
R641	119-1031-15	1/10W 10k ohm	R751	119-4721-15	1/10W 4.7k ohm	R913	119-1031-15	1/10W 10k ohm
R642	119-1031-15	1/10W 10k ohm	R752	119-4721-15	1/10W 4.7k ohm	R914	119-1031-15	1/10W 10k ohm
R643	119-2231-15	1/10W 22k ohm	R753	119-4721-15	1/10W 4.7k ohm	R915	119-4791-15	1/10W 4.7 ohm
R644	119-2231-15	1/10W 22k ohm	R754	119-1041-15	1/10W 100k ohm	R916	119-4791-15	1/10W 4.7 ohm
R645	119-2231-15	1/10W 22k ohm	R755	119-4721-15	1/10W 4.7k ohm	R917	116-1221-15	1/4W 1.2k ohm
R646	119-2231-15	1/10W 22k ohm	R757	119-4731-15	1/10W 47k ohm	R918	116-1221-15	1/4W 1.2k ohm
R647	117-1011-15	1/8W 100 ohm	R758	119-4731-15	1/10W 47k ohm	R919	116-1221-15	1/4W 1.2k ohm
R648	117-1011-15	1/8W 100 ohm	R759	119-4731-15	1/10W 47k ohm	R920	116-1221-15	1/4W 1.2k ohm
R649	117-1011-15	1/8W 100 ohm	R760	119-4731-15	1/10W 47k ohm	R921	119-1031-15	1/10W 10k ohm
R650	117-1011-15	1/8W 100 ohm	R761	119-3331-15	1/10W 33k ohm	R923	116-1591-15	1/4W 1.5 ohm
R651	117-1041-15	1/8W 100k ohm	R762	119-1031-15	1/10W 10k ohm	R924	116-1591-15	1/4W 1.5 ohm
R652	117-1041-15	1/8W 100k ohm	R763	119-1031-15	1/10W 10k ohm	R925	119-1031-15	1/10W 10k ohm
R653	117-1041-15	1/8W 100k ohm	R764	119-3331-15	1/10W 33k ohm	R926	119-2221-15	1/10W 2.2k ohm
R654	117-1041-15	1/8W 100k ohm	R765	119-3321-15	1/10W 3.3k ohm	R927	119-2221-15	1/10W 2.2k ohm
R701	119-3331-15	1/10W 33k ohm	R766	119-1041-15	1/10W 100k ohm	R928	119-1031-15	1/10W 10k ohm
R702	119-1041-15	1/10W 100k ohm	R769	119-1041-15	1/10W 100k ohm	R929	119-1031-15	1/10W 10k ohm
R703	119-3331-15	1/10W 33k ohm	R772	119-1031-15	1/10W 10k ohm	R935	116-1591-15	1/4W 1.5 ohm
R704	119-1011-15	1/10W 100 ohm	R775	119-1031-15	1/10W 10k ohm	R936	116-1591-15	1/4W 1.5 ohm
R705	119-1011-15	1/10W 100 ohm	R776	119-3331-15	1/10W 33k ohm	SUP101	060-0122-91	DSP-141N-S00B
R706	119-1031-15	1/10W 10k ohm	R777	119-3321-15	1/10W 3.3k ohm	T501	009-0670-80	180uH
R707	119-1031-15	1/10W 10k ohm	R778	119-3331-15	1/10W 33k ohm	TC701	004-1583-52	20pF RED
R708	116-3011-15	1/4W 300 ohm	R779	119-3331-15	1/10W 33k ohm	TH101	002-0318-01	1206L035YRT
R709	116-3011-15	1/4W 300 ohm	R783	116-3011-15	1/4W 300 ohm	TH501	002-0318-01	1206L035YRT
R710	119-1021-15	1/10W 1k ohm	R784	116-1021-15	1/4W 1k ohm	TM101	073-0762-90	TERMINAL
R711	119-1021-15	1/10W 1k ohm	R785	119-3331-15	1/10W 33k ohm	TM102	073-0762-90	TERMINAL
R712	119-3331-15	1/10W 33k ohm	R786	119-1031-15	1/10W 10k ohm	TM201	073-0762-90	TERMINAL
R713	119-1021-15	1/10W 1k ohm	R787	119-1031-15	1/10W 10k ohm	TM501	073-0762-90	TERMINAL
R714	119-1021-15	1/10W 1k ohm	R788	119-4721-15	1/10W 4.7k ohm	TM701	073-0762-90	TERMINAL
R715	119-2241-15	1/10W 220k ohm	R789	119-1021-15	1/10W 1k ohm	TM901	073-0762-90	TERMINAL
R716	119-3331-15	1/10W 33k ohm	R790	119-5641-15	1/10W 560k ohm	X201	061-3534-90	16.92MHz
R717	119-1021-15	1/10W 1k ohm	R791	119-1021-15	1/10W 1k ohm	X401	061-3537-90	41.6MHz
R718	119-3331-15	1/10W 33k ohm	R792	119-2231-15	1/10W 22k ohm	X701	061-3545-90	3.14572MHz
R719	119-3331-15	1/10W 33k ohm	R793	119-3921-15	1/10W 3.9k ohm	X702	061-3506-90	32.768MHz
R720	119-3331-15	1/10W 33k ohm	R794	116-8201-15	1/4W 82 ohm	PWB	039-2709-02	PWB(WITHOUT COMPONENTS)
R721	119-3331-15	1/10W 33k ohm	R795	119-1021-15	1/10W 1k ohm			

Switch PWB section(B2)

REF No.	PART No.	DESCRIPTION	REF No.	PART No.	DESCRIPTION	REF No.	PART No.	DESCRIPTION
C101	168-4732-78	0.047uF K	C111	043-0554-90	25V 10uF	D102	001-7090-91	-KMLP2(for C-D,E)
C102	168-4732-78	0.047uF K	C112	043-0554-90	25V 10uF			NSCB021-WCT
C103	168-4732-78	0.047uF K			(for C-A,B,D)			-KMLP5(for C-A,B,C)
C104	166-6811-50	680pF	C113	043-0554-90	25V 10uF		001-7090-92	NSCB021-WCT
C105	168-4732-78	0.047uF K			(for C-A,B,D)			-KMLP2(for C-D,E)
C106	168-4732-78	0.047uF K	C121	166-2201-50	22pF CH	D103	001-7090-91	NSCB021-WCT
C107	168-4732-78	0.047uF K	C122	166-2201-50	22pF CH			-KMLP5(for C-A,B,C)
C108	166-6811-50	680pF	D101	001-7090-91	NSCB021-WCT		001-7090-92	NSCB021-WCT
C109	166-2201-50	22pF CH			-KMLP5(for C-A,B,C)			-KMLP2(for C-D,E)
C110	166-2201-50	22pF CH			NSCB021-WCT	D104	001-7090-91	NSCB021-WCT

REF No.	PART No.	DESCRIPTION	REF No.	PART No.	DESCRIPTION	REF No.	PART No.	DESCRIPTION
D105	001-7090-92	-KMLP5(for C-A,B,C) NSCB021-WCT	D209	001-0516-90	MA111	R106	116-1211-15	1/4W 120 ohm
	001-7090-91	-KMLP2(for C-D,E) NSCB021-WCT	D210	001-0516-90	MA111	R107	116-1211-15	1/4W 120 ohm
D106	001-7090-92	-KMLP5(for C-A,B,C) NSCB021-WCT	D211	001-0516-90	MA111	R108	116-1211-15	1/4W 120 ohm
	001-7090-91	-KMLP2(for C-D,E) NSCB021-WCT	D212	001-0516-90	MA111	R109	116-1211-15	1/4W 120 ohm
D107	001-7090-92	-KMLP5(for C-A,B,C) NSCB021-WCT	D213	001-0516-90	MA111	R110	116-1211-15	1/4W 120 ohm
	001-7090-91	-KMLP2(for C-D,E) NSCB021-WCT	D214	001-0516-90	MA111	R111	119-1041-15	1/10W 100k ohm (for C-A,B,D)
D108	001-7090-92	-KMLP5(for C-A,B,C) NSCB021-WCT	D215	001-0516-90	MA111	R112	119-4721-15	1/10W 4.7k ohm
	001-7090-91	-KMLP2(for C-D,E) NSCB021-WCT	D216	001-0516-90	MA111	R113	119-4721-15	1/10W 4.7k ohm
D109	001-7090-92	-KMLP5(for C-A,B,C) NSCB021-WCT	D220	001-0516-90	MA111 (for C-A,B,D)	R114	119-4721-15	1/10W 4.7k ohm
	001-7090-91	-KMLP2(for C-D,E) NSCB021-WCT	D221	001-0516-90	MA111 (for C-A,B,D)	R116	032-0140-89	1/10W 47k ohm F
D110	001-7090-92	-KMLP5(for C-A,B,C) NSCB021-WCT	D222	001-0516-90	MA111	R121	119-4721-15	1/10W 4.7k ohm
	001-7090-91	-KMLP2(for C-D,E) NSCB021-WCT	IC201	051-6037-00	LC75884W	R122	119-4721-15	1/10W 4.7k ohm
D111	001-7090-92	-KMLP5(for C-A,B,C) NSCB021-WCT	IC202	051-6037-00	LC75884W	R123	119-4721-15	1/10W 4.7k ohm
	001-7090-91	-KMLP2(for C-D,E) NSCB021-WCT	IC203	051-7222-18	TC7S08FUTE85L	R201	119-1021-15	1/10W 1k ohm
D112	001-7090-92	-KMLP5(for C-A,B,C) NSCB021-WCT	J201	074-3014-74	24P	R202	119-1021-15	1/10W 1k ohm
	001-7090-91	-KMLP2(for C-D,E) NSCB021-WCT	J202	074-1158-62	12P	R203	119-1021-15	1/10W 1k ohm
D118	001-7063-95	RBR1102W	J203	074-1158-64	14P	R204	119-2221-15	1/10W 2.2k ohm
	001-7091-90	VYBG1102W	J204	074-1158-64	14P	R207	119-4721-15	1/10W 4.7k ohm
D201	001-0529-36	MA8062-H	J205	074-1158-62	12P	R208	119-0000-05	1/10W 0 ohm JW
D202	001-0516-90	MA111	LCD101	379-1339-43	LCD	S101	013-6206-50	SKPMANE010
D203	001-0516-90	MA111		379-1339-42	LCD	S102	013-6201-52	TACT SWITCH
D204	001-0516-90	MA111	PL101	017-0464-50	8V 70mA BLU	S103	013-6201-52	TACT SWITCH
D205	001-0516-90	MA111	PL102	017-0464-50	8V 70mA BLU	S104	013-6201-52	TACT SWITCH
D206	001-0516-90	MA111	PL103	017-0464-50	8V 70mA BLU	S105	013-6201-52	TACT SWITCH
D207	001-0516-90	MA111	PL104	017-0464-50	8V 70mA BLU	S106	013-6206-50	SKPMANE010
D208	001-0516-90	MA111	PL105	017-0464-50	8V 70mA BLU	S107	013-6206-50	SKPMANE010
			PL106	017-0464-50	8V 70mA BLU	S108	013-6206-50	SKPMANE010
			PL107	017-0464-50	8V 70mA BLU	S109	013-6201-52	TACT SWITCH
			PL108	017-0464-50	8V 70mA BLU	S110	013-6207-50	SKPMAQE010
			PL109	017-0464-50	8V 70mA BLU	S111	013-6201-52	TACT SWITCH
			PL110	017-0464-50	8V 70mA BLU	S112	013-6201-52	TACT SWITCH
			PL111	017-0460-01	8V 70mA BLU	S113	013-6201-52	TACT SWITCH
			PL112	017-0460-01	8V 70mA BLU	S114	013-6201-52	TACT SWITCH
			Q201	125-2027-91	DTC114EU	S115	013-6201-52	TACT SWITCH
			Q202	125-2027-91	DTC114EU	S116	013-6207-50	SKPMAQE010
			Q205	125-0021-92	DTA124EUA (for C-A,B,D)	S117	013-6201-52	TACT SWITCH
			Q206	125-2027-92	DTC124EUA (for C-A,B,D)	S118	016-7003-00	ROTARY-SW EC40 A15204
			R104	032-0140-89	1/10W 47k ohm F	S119	016-7003-00	ROTARY-SW EC40 A15204
			R105	116-1211-15	1/4W 120 ohm	TM101	073-0786-90	TERMINAL
						TM102	073-0786-90	TERMINAL
						PWB	039-2710-02	PWB(WITHOUT COMPONENTS)

CD PWB section(B3)

REF No.	PART No.	DESCRIPTION	REF No.	PART No.	DESCRIPTION	REF No.	PART No.	DESCRIPTION
C1	168-1042-78	16V 0.1uF	C27	046-3332-78	0.033uF	R2	117-1001-15	1/8W 10 ohm
C2	163-1073-35	16V100uF	C29	046-6822-58	6800pF	R3	033-2211-15	1/10W 220 ohm
C4	178-1052-78	1uF	C30	168-1042-78	16V 0.1uF	R5	033-0000-05	1/10W 0 ohm
C5	042-0560-85	6.3V 100uF	C31	046-4712-58	470pF	R6	033-5621-15	1/10W 5.6k ohm
C6	178-1052-78	1uF	C32	046-4712-58	470pF	R7	033-4731-15	1/10W 47k ohm
C8	178-1052-78	1uF	C33	168-1042-78	16V 0.1uF	R8	033-3341-15	1/10W 33k ohm
C10	168-1042-78	16V 0.1uF	C34	168-4732-78	0.047uF K	R9	033-2231-15	1/10W 22k ohm
C11	168-1042-78	16V 0.1uF	C35	168-4732-78	0.047uF K	R10	033-2231-15	1/10W 22k ohm
C12	045-4701-50	47pF	C36	045-1007-50	10pF	R11	033-2731-15	1/10W 27k ohm
C13	046-1532-78	0.015uF	C37	045-1007-50	10pF	R12	033-4731-15	1/10W 47k ohm
C14	168-1042-78	16V 0.1uF	C38	168-1042-78	16V 0.1uF	R13	033-2731-15	1/10W 27k ohm
C15	046-1032-78	0.01uF	C39	046-5622-58	5600pF	R14	033-1531-15	1/10W 15k ohm
C17	046-4722-58	4700pF	C40	168-1042-78	16V 0.1uF	R15	033-2731-15	1/10W 27k ohm
C18	046-1522-58	1500pF	CCT1	050-0140-63	1/32W 47k ohm x4J	R16	033-8231-15	1/10W 82k ohm
C19	168-1042-78	16V 0.1uF	D1	001-0367-91	1SS226	R17	033-2731-15	1/10W 27k ohm
C20	168-1042-78	16V 0.1uF	IC1	051-6079-90	BA5830FP	R18	033-8231-15	1/10W 82k ohm
C21	046-6812-58	680pF	IC2	051-6399-00	TC94A15F	R19	033-1051-15	1/10W 1M ohm
C22	168-1042-78	16V 0.1uF	J101	074-1228-77	SOCKET 27P	R20	119-2221-15	1/10W 2.2k ohm
C23	046-1532-78	0.015uF	J201	074-1138-65	15P	X2	061-3534-90	16.92MHz
C24	168-1042-78	16V 0.1uF	J301	074-1138-60	10P	PWB	039-2674-20	PWB(WITHOUT COMPONENTS)
C25	045-6801-50	68pF	Q1	131-1188-50	2SB1188PQR			
C26	168-1042-78	16V 0.1uF	R1	117-6811-15	1/8W 680 ohm			

Sensor PWB section(B4)

REF No.	PART No.	DESCRIPTION	REF No.	PART No.	DESCRIPTION	REF No.	PART No.	DESCRIPTION
D1	001-7058-90	AN1105W-RR	Q1	060-4015-91	PS1192HB-32-TR	S2	013-7413-50	SPVG120301
D2	001-7058-90	AN1105W-RR	Q2	060-4015-91	PS1192HB-32-TR	PWB	039-2675-20	PWB(WITHOUT COMPONENTS)
J1	074-1138-60	10P	S1	013-7414-50	SPVG220100			