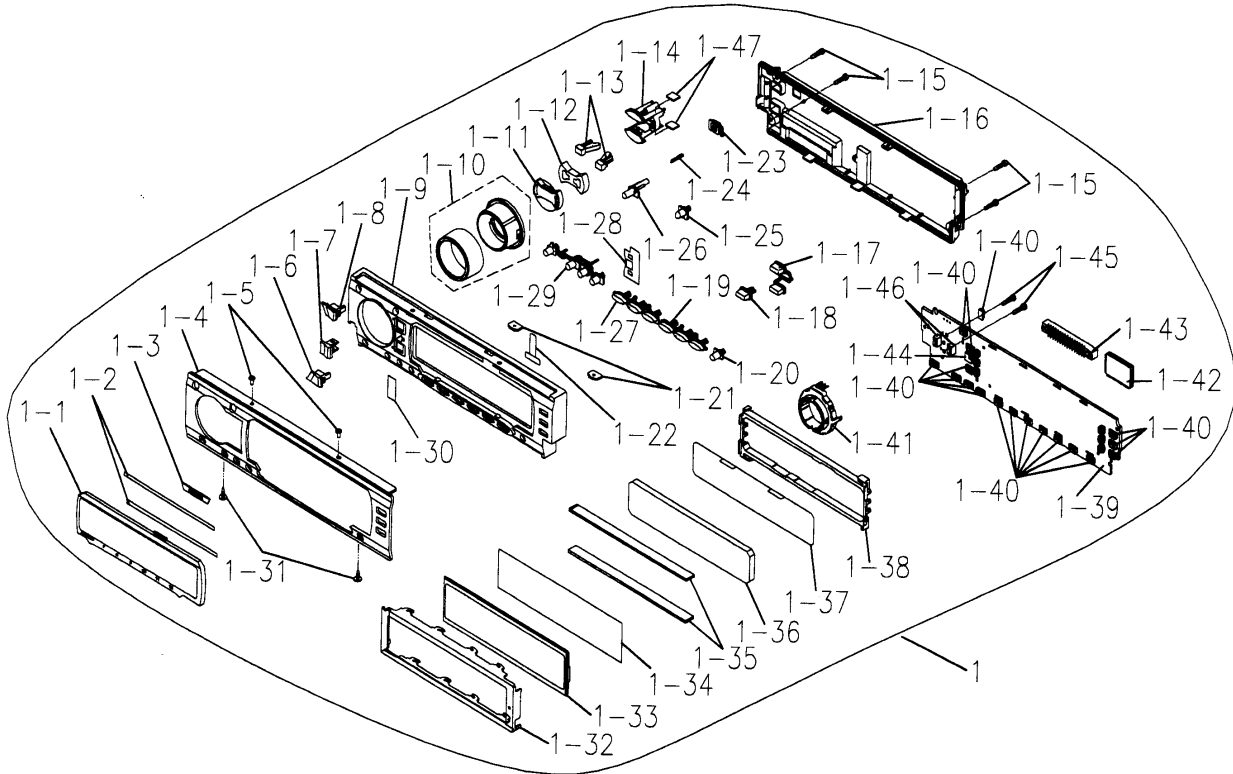


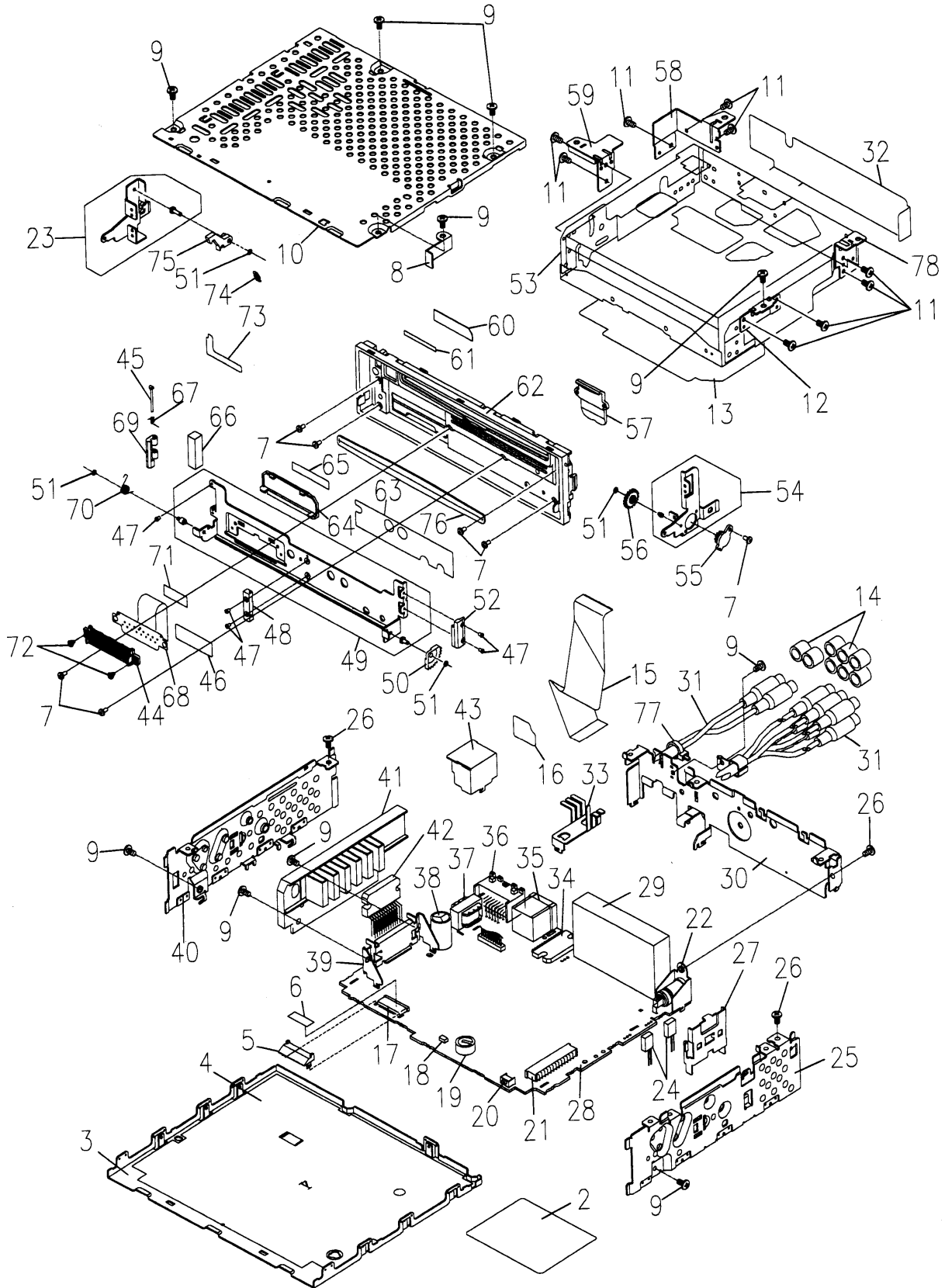
EXPLODED VIEW · PARTS LIST:

DCP Section



NO.	PARTS NO.	DESCRIPTION	QTY	NO.	PARTS NO.	DESCRIPTION	QTY
1	DCP-348-600	DCP ASSY (PE-2397B)	1	1-22	347-6491-00	SURGE FILM	1
	DCP-349-600	DCP ASSY (PE-2398B)	1	1-23	382-6109-00	BUTTON	1
1-1	373-0951-10	DIAL COVER (PE-2397B)	1	1-24	750-3455-00	SPRING	1
	373-0951-20	DIAL COVER (PE-2398B)	1	1-25	382-6110-00	BUTTON	1
1-2	347-6482-01	DOUBLE FACE	2	1-26	382-6107-01	BUTTON	1
1-3	378-0537-00	BADGE	1	1-27	382-6112-00	BUTTON	1
1-4	371-5691-20	FACE PANEL (PE-2397B)	1	1-28	353-0535-00	SHADE	1
	371-5691-30	FACE PANEL (PE-2398B)	1	1-29	382-6111-00	BUTTON	1
1-5	716-3443-00	SCREW	2	1-30	347-6522-00	DOUBLE FACE	1
1-6	382-6106-00	BUTTON	1	1-31	716-1809-01	SCREW	2
1-7	335-6494-00	IR-FILTER	1	1-32	331-3114-00	LCD COVER	1
1-8	382-6105-00	BUTTON	1	1-33	379-1193-41	INDICATOR	1
1-9	370-5934-01	ESCUTCHEON (PE-2397B)	1	1-34	347-6484-00	FILM	1
	370-5934-00	ESCUTCHEON (PE-2398B)	1	1-35	345-8608-00	RUBBER CONNECTER	2
1-10	947-0518-03	KNOB-ASSY (PE-2397B)	1	1-36	335-6504-00	ILLUMI PLATE	1
	947-0518-02	KNOB-ASSY (PE-2398B)	1	1-37	347-6485-00	REFLECTOR	1
1-11	382-6108-00	BUTTON	1	1-38	335-6503-00	LCD HOLDER	1
1-12	345-8612-00	SPONGE	1	1-39	039-1864-00	SWITCH PWB (WITHOUT COMPONENT)	1
1-13	335-6496-00	PUSHL0D	2	1-40	013-6506-50	LUMI SWITCH	18
1-14	335-6495-01	BUTTON HOLDER	1	1-41	013-8002-00	ROTARY SWITCH	1
1-15	716-0872-12	PAD SCREW	4	1-42	051-6047-00	IC	1
1-16	335-6493-00	REAR COVER	1	1-43	076-0647-00	PLUG	1
1-17	382-6116-00	BUTTON	1	1-44	060-4008-00	IR-RECEIVE	1
1-18	382-6117-00	BUTTON	1	1-45	716-0872-01	PAD SCREW	2
1-19	382-6113-00	BUTTON	1	1-46	013-6302-50	SWITCH	2
1-20	382-6115-00	BUTTON	1	1-47	347-6549-00	SPACER	2
1-21	331-3149-00	SCREW PLATE	2				

Main Section



NO.	PARTS NO.	DESCRIPTION	QTY	NO.	PARTS NO.	DESCRIPTION	QTY
2	286-9552-00	SETPLATE (PE-2397B)	1	40	305-0274-01	SIDE-COVER	1
	286-9553-00	SETPLATE (PE-2398B)	1	41	313-1744-20	HEAT SINK	1
3	304-0460-01	LOWER COVER	1	42	051-2031-11	IC	1
4	347-5918-00	INSULATOR	1	43	331-2820-00	SHIELD CASE	1
5	335-6019-00	CN-COVER	1	44	074-1278-00	OUTLET SOCKET	1
6	347-6215-00	SPACER FILM	1	45	341-1764-00	SHAFT	1
7	780-2004-01	SCREW	7	46	291-0092-00	STICKER	1
8	331-2744-00	STOPPER	1	47	738-1722-17	PRECISION SCREW	5
9	731-3006-80	TAPTIGHT	10	48	335-6502-00	SLIDER	1
10	303-0472-00	UPPER COVER	1	49	946-0078-00	HOLDER-ASSY	1
11	716-0717-10	STEEL SCREW	9	50	613-0684-00	FAN GEAR	1
12	331-2492-00	CD-SUB-BRK	1	51	746-0761-00	WASHER	4
13	347-5916-02	INSULATOR	1	52	335-6500-00	HOOK	1
14	345-3799-20	RUBBER PARTS	8	53	929-0092-82	CD-MECH-MODULE	1
15	816-2391-00	FLAT CABLE	1	54	946-0072-01	ARM-R-ASSY	1
16	347-6490-00	SHADE	1	55	613-0687-00	GEAR DAMPER	1
17	074-1198-68	OUTLET SOCKET	1	56	613-0683-00	GEAR	1
18	001-7011-95	DIODE	1	57	335-5817-00	ILLUMI PLATE	1
19	042-0576-00	DOUBLE-LAYER-C	1	58	331-2493-00	CD-SUB-BRK	1
20	013-6100-00	SWITCH	1	59	331-2491-00	CD-SUB-BRK	1
21	074-0986-26	OUTLET SOCKET	1	60	347-5920-00	COVER FILM	1
22	092-4000-50	ANT-RECEPT	1	61	347-5923-00	DOUBLE FACE	1
23	946-0071-01	ARM-L-ASSY	1	62	370-5766-02	INNER-ES	1
24	102-3420-50	TRANSISTOR	2	63	290-7995-00	LABEL	1
25	305-0275-00	SIDE-COVER	1	64	335-6499-00	CN-COVER	1
26	714-3006-81	MACHINE SCREW	3	65	347-6523-00	FPC SUPPORT	1
27	313-1651-21	HEAT SINK	1	66	345-8607-00	CUSHION	1
28	039-1860-00	MAIN PWB (WITHOUT COMPONENT)	1	67	750-3454-00	SPRING	1
29	880-2087G	TUNER	1	68	039-1862-00	FPC (WITHOUT COMPONENT)	1
30	307-0616-03	REAR-COVER	1	69	335-6501-00	HOOK DCP	1
31	855-5456-50	RCA PIN CORD	1	70	750-3342-00	SPRING	1
32	347-5917-00	INSULATOR	1	71	347-6356-00	DOUBLE FACE	1
33	313-1772-00	HEAT SINK	1	72	716-3444-00	SCREW	2
34	051-3261-00	IC	1	73	347-6483-00	HEAT PROTECT	1
35	074-1194-00	OUTLET SOCKET	1	74	750-3341-00	SPRING	1
36	074-1214-00	OUTLET SOCKET	1	75	335-6498-00	HOOK-ROCK	1
37	009-9006-60	CHOKER	1	76	346-0114-01	LEATHER SHEET	1
38	042-0447-00	ALUMI ELECTRO-C	1	77	335-0833-07	CABLE TIE	1
39	331-2255-20	IC-HOLDER	1	78	331-2494-00	CD-SUB-BRK	1

ELECTRICAL PARTS LIST:

Main PWB (B1) section

REF No.	PART No.	DESCRIPTION	REF No.	PART No.	DESCRIPTION	REF No.	PART No.	DESCRIPTION
IC 150	051-6201-90	LC72146	D 607	001-0516-00	MA111	C 118	168-1022-55	50V 1000PF
IC 301	051-5020-90	M61508FP	D 608	001-0516-00	MA111	C 119	183-1053-62	50V 1 μ F
IC 403	051-5822-90	2900M	D 609	001-0516-00	MA111	C 120	166-1032-55	50V 0.01 μ F
IC 404	051-5822-90	2900M	D 701	001-0466-01	S5688G	C 122	168-2732-55	25V 0.027 μ F
IC 501	051-7232-08	74VH4066	D 702	001-0466-01	S5688G	C 123	168-2732-55	25V 0.027 μ F
IC 502	051-0350-93	NJM4558M	D 703	001-0466-01	S5688G	C 130	168-1022-55	50V 1000PF
IC 601	051-6600-38	CA0008AM	D 704	001-0466-01	S5688G	C 131	168-1022-55	50V 1000PF
IC 602	052-3906-20	M30624MGAD62FP	D 705	001-0466-01	S5688G	C 150	166-1501-50	50V 15PF
IC 603	051-5403-08	S-80725DNT	D 706	001-0466-01	S5688G	C 151	166-1501-50	50V 15PF
IC 701	051-2031-11	LA4743B	D 707	001-0466-01	S5688G	C 152	166-3311-50	50V 330PF
IC 901	051-3261-00	BA-4906	D 708	001-0466-01	S5688G	C 153	166-1011-50	50V 100PF
Q 103	125-2004-02	RN1402	D 709	001-0592-00	RM4Z	C 154	168-2232-55	25V 0.022 μ F
Q 405	125-4001-00	XN1504	D 711	001-0466-01	S5688G	C 155	183-4763-32	16V 47 μ F
Q 406	125-4001-00	XN1504	D 801	001-7011-95	DIODE	C 156	166-1011-50	50V 100PF
Q 407	125-4001-00	XN1504	D 802	001-0377-11	MA4030M	C 159	183-1053-62	50V 1 μ F
Q 501	125-0002-01	RN2401	D 803	001-0377-11	MA4030M	C 160	168-1045-56	25V 0.1 μ F
Q 502	125-4001-00	XN1504	D 901	001-0376-47	MTZ9.1JB	C 161	168-2245-79	25V 0.22 μ F
Q 503	125-4001-00	XN1504	D 902	001-0376-32	MTZ5.6JB	C 301	183-1063-32	16V 10 μ F
Q 504	125-2004-03	RN1403	D 904	001-0516-00	MA111	C 302	183-1063-32	16V 10 μ F
Q 601	125-0002-02	RN2402	D 905	001-0466-01	S5688G	C 303	183-2253-62	50V 2.2 μ F
Q 602	125-2004-03	RN1403	D 906	001-0516-00	MA111	C 304	183-2253-62	50V 2.2 μ F
Q 603	100-1162-00	2SA1162	D 907	001-0516-00	MA111	C 305	183-2253-62	50V 2.2 μ F
Q 604	125-0002-02	RN2402	L 101	010-4007-00	COIL	C 306	183-2253-62	50V 2.2 μ F
Q 605	102-2712-00	2SC2712	L 103	010-2230-82	68 μ H	C 307	183-1063-32	16V 10 μ F
Q 606	102-2712-00	2SC2712	L 104	010-2230-88	220 μ H	C 308	183-1063-32	16V 10 μ F
Q 607	100-1298-00	2SA1298	L 105	010-2230-88	220 μ H	C 309	183-1063-32	16V 10 μ F
Q 608	125-2004-06	RN1406	L 150	010-2230-88	220 μ H	C 310	183-2253-62	50V 2.2 μ F
Q 609	100-1162-00	2SA1162	L 301	010-2230-69	5.6 μ H	C 311	183-2253-62	50V 2.2 μ F
Q 610	102-2712-00	2SC2712	L 302	010-2230-69	5.6 μ H	C 318	183-1053-62	50V 1 μ F
Q 611	100-1298-00	2SA1298	L 601	010-2285-57	COIL	C 319	183-1053-62	50V 1 μ F
Q 612	125-2004-06	RN1406	L 701	009-9006-60	CHOKE	C 320	183-4763-32	16V 47 μ F
Q 801	125-2004-03	RN1403	L 801	010-2230-76	22 μ H	C 321	183-2263-32	16V 22 μ F
Q 802	100-1162-00	2SA1162	L 802	010-2230-64	2.2 μ H	C 401	168-2222-55	50V 2200PF
Q 803	102-2712-00	2SC2712	L 804	010-2230-69	5.6 μ H	C 402	168-2222-55	50V 2200PF
Q 804	102-2712-00	2SC2712	X 150	061-1066-00	7.2MHZ	C 403	168-2222-55	50V 2200PF
Q 805	101-1237-00	2SB1237	X 601	060-1505-50	CSTCC10MG	C 404	168-2222-55	50V 2200PF
Q 806	101-1237-00	2SB1237	C 101	166-2201-50	50V 22PF	C 405	168-2222-55	50V 2200PF
Q 901	125-2004-06	RN1406	C 102	166-2201-50	50V 22PF	C 406	168-2222-55	50V 2200PF
Q 902	125-0002-06	RN2406	C 103	166-2096-50	50V 2P	C 413	183-2263-32	16V 22 μ F
Q 903	102-3420-50	2SC3420GR	C 105	168-2232-55	25V 0.022 μ F	C 414	183-2263-32	16V 22 μ F
Q 904	125-2004-06	RN1406	C 106	168-1032-55	50V 0.01 μ F	C 415	183-2263-32	16V 22 μ F
Q 905	125-0002-06	RN2406	C 107	168-2232-55	25V 0.022 μ F	C 416	183-2263-32	16V 22 μ F
Q 907	102-3420-50	2SC3420GR	C 108	168-2232-55	25V 0.022 μ F	C 418	183-1063-32	16V 10 μ F
Q 908	125-2004-06	RN1406	C 109	183-1073-22	10V 100 μ F	C 419	183-1063-32	16V 10 μ F
Q 909	102-2712-00	2SC2712 (PE2397B)	C 110	183-1073-22	10V 100 μ F	C 440	183-2263-32	16V 22 μ F
Q 910	102-2712-00	2SC2712	C 111	168-2232-55	25V 0.022 μ F	C 441	183-4763-32	16V 47 μ F
D 501	001-0376-26	MTZ4.7JB	C 112	042-0615-01	10V 100 μ F	C 442	183-2263-32	16V 22 μ F
D 601	001-0466-91	S5688G	C 113	168-6822-55	50V 6800PF	C 443	168-1522-55	50V 1500PF
D 602	001-0376-41	MTZ7.5JB	C 114	166-1011-50	50V 100PF	C 444	183-1073-22	10V 100 μ F
D 603	001-0376-30	MTZ5.1JC	C 115	166-1011-50	50V 100PF	C 445	168-1522-55	50V 1500PF
D 606	001-0516-00	MA111	C 116	166-1011-50	50V 100PF	C 446	183-1073-22	10V 100 μ F
			C 117	168-2232-55	25V 0.022 μ F	C 447	183-2263-32	16V 22 μ F

REF No.	PART No.	DESCRIPTION	REF No.	PART No.	DESCRIPTION	REF No.	PART No.	DESCRIPTION
C 448	183-4763-32	16V 47 μ F	C 710	168-2232-55	25V 0.022 μ F	R 411	119-3311-10	1/16W 330 Ω
C 449	183-2263-32	16V 22 μ F	C 711	168-1045-56	25V 0.1 μ F	R 412	119-2231-10	1/16W 22K Ω
C 450	168-1522-55	50V 1500PF	C 712	168-1045-56	25V 0.1 μ F	R 413	119-2231-10	1/16W 22K Ω
C 451	183-1073-22	10V 100 μ F	C 713	168-1045-56	25V 0.1 μ F	R 414	119-3311-10	1/16W 330 Ω
C 452	183-1073-22	10V 100 μ F	C 714	168-1045-56	25V 0.1 μ F	R 415	119-1021-10	1/16W 1K Ω
C 453	168-1522-55	50V 1500PF	C 801	168-1032-55	50V 0.01 μ F	R 416	119-2231-10	1/16W 22K Ω
C 460	168-5622-55	50V 5600PF	C 802	183-1063-32	16V 10 μ F	R 417	119-2231-10	1/16W 22K Ω
C 461	168-5622-55	50V 5600PF	C 903	183-4763-32	16V 47 μ F	R 418	119-3311-10	1/16W 330 Ω
C 462	168-5622-55	50V 5600PF	C 904	183-1073-22	10V 100 μ F	R 419	119-3311-10	1/16W 330 Ω
C 463	168-5622-55	50V 5600PF	C 910	168-1045-56	25V 0.1 μ F	R 420	119-1021-10	1/16W 1K Ω
C 464	168-5622-55	50V 5600PF	C 911	183-1063-32	16V 10 μ F	R 421	119-2231-10	1/16W 22K Ω
C 465	168-5622-55	50V 5600PF	C 912	183-1073-22	10V 100 μ F	R 460	119-2431-10	1/16W 24K Ω
C 501	183-1063-32	16V 10 μ F	C 914	168-4712-55	50V 470PF	R 461	119-2431-10	1/16W 24K Ω
C 502	183-1063-32	16V 10 μ F	C 915	168-1022-55	50V 1000PF	R 462	119-3631-10	1/16W 36K Ω
C 503	183-1063-32	16V 10 μ F	C 917	168-4732-78	25V 0.047 μ F	R 463	119-2211-10	1/16W 220 Ω
C 504	183-1063-32	16V 10 μ F	C 918	168-1022-55	50V 1000PF	R 464	119-2211-10	1/16W 220 Ω
C 505	183-1063-32	16V 10 μ F	R 102	119-1031-10	1/16W 10K Ω	R 465	119-3631-10	1/16W 36K Ω
C 506	183-1063-32	16V 10 μ F	R 104	119-1031-10	1/16W 10K Ω	R 466	119-2431-10	1/16W 24K Ω
C 507	183-1063-32	16V 10 μ F	R 105	119-2221-10	1/16W 2.2K Ω	R 467	119-2431-10	1/16W 24K Ω
C 508	183-1063-32	16V 10 μ F	R 106	119-4741-10	1/16W 470K Ω	R 468	119-3631-10	1/16W 36K Ω
C 509	183-4763-32	16V 47 μ F	R 107	119-1021-10	1/16W 1K Ω	R 469	119-2211-10	1/16W 220 Ω
C 510	183-1063-32	16V 10 μ F	R 111	119-2221-10	1/16W 2.2K Ω	R 470	119-2211-10	1/16W 220 Ω
C 511	183-1063-32	16V 10 μ F	R 112	119-1011-10	1/16W 100 Ω	R 471	119-3631-10	1/16W 36K Ω
C 512	183-1063-32	16V 10 μ F	R 113	119-1831-10	1/16W 18K Ω	R 501	119-1021-10	1/16W 1K Ω
C 513	183-1063-32	16V 10 μ F	R 150	119-8211-10	1/16W 820 Ω	R 502	119-4731-10	1/16W 47K Ω
C 514	183-1063-32	16V 10 μ F	R 151	119-1021-10	1/16W 1K Ω	R 503	119-4731-10	1/16W 47K Ω
C 515	183-1063-32	16V 10 μ F	R 152	119-1021-10	1/16W 1K Ω	R 504	119-4731-10	1/16W 47K Ω
C 516	168-1032-55	50V 0.01 μ F	R 153	119-1031-10	1/16W 10K Ω	R 505	119-4731-10	1/16W 47K Ω
C 601	168-1022-55	50V 1000PF	R 154	119-1041-10	1/16W 100K Ω	R 506	119-1041-10	1/16W 100K Ω
C 602	168-1022-55	50V 1000PF	R 155	119-5631-10	1/16W 56K Ω	R 507	119-1041-10	1/16W 100K Ω
C 603	172-4731-15	25V 0.047 μ F	R 158	119-1021-10	1/16W 1K Ω	R 508	119-1041-10	1/16W 100K Ω
C 605	183-2263-32	16V 22 μ F	R 159	119-2221-10	1/16W 2.2K Ω	R 509	119-1041-10	1/16W 100K Ω
C 606	042-0576-00	5.5V 0.1 μ F	R 301	119-1231-10	1/16W 12K Ω	R 510	119-1011-10	1/16W 100 Ω
C 609	168-1045-56	25V 0.1 μ F	R 302	119-1231-10	1/16W 12K Ω	R 511	119-1011-10	1/16W 100 Ω
C 610	183-1063-32	16V 10 μ F	R 303	119-3311-10	1/16W 330 Ω	R 512	119-1011-10	1/16W 100 Ω
C 611	168-2232-55	25V 0.022 μ F	R 304	119-3311-10	1/16W 330 Ω	R 513	119-1011-10	1/16W 100 Ω
C 612	183-1063-32	16V 10 μ F	R 305	119-4721-10	1/16W 4.7K Ω	R 514	119-4731-10	1/16W 47K Ω
C 613	183-4753-52	35V 4.7 μ F	R 306	119-4721-10	1/16W 4.7K Ω	R 515	119-3311-10	1/16W 330 Ω
C 616	168-1032-55	50V 0.01 μ F	R 307	119-3311-10	1/16W 330 Ω	R 516	119-1031-10	1/16W 10K Ω
C 634	168-2245-79	25V 0.22 μ F	R 308	119-3311-10	1/16W 330 Ω	R 517	119-1031-10	1/16W 10K Ω
C 635	168-4712-55	50V 470PF	R 309	119-4721-10	1/16W 4.7K Ω	R 518	119-1031-10	1/16W 10K Ω
C 637	168-1022-55	50V 1000PF	R 310	119-4721-10	1/16W 4.7K Ω	R 519	119-1031-10	1/16W 10K Ω
C 638	168-4712-55	50V 470PF	R 401	119-1021-10	1/16W 1K Ω	R 520	119-1031-10	1/16W 10K Ω
C 639	168-4712-55	50V 470PF	R 402	119-1021-10	1/16W 1K Ω	R 521	119-1031-10	1/16W 10K Ω
C 701	183-2263-32	16V 22 μ F	R 403	119-1021-10	1/16W 1K Ω	R 522	119-1031-10	1/16W 10K Ω
C 702	183-4743-62	50V 0.47 μ F	R 404	119-1021-10	1/16W 1K Ω	R 523	119-1031-10	1/16W 10K Ω
C 703	183-4743-62	50V 0.47 μ F	R 405	119-2711-10	1/16W 270 Ω	R 524	119-1041-10	1/16W 100K Ω
C 704	183-4743-62	50V 0.47 μ F	R 406	119-2711-10	1/16W 270 Ω	R 525	119-1041-10	1/16W 100K Ω
C 705	183-4743-62	50V 0.47 μ F	R 407	119-2231-10	1/16W 22K Ω	R 526	119-4721-10	1/16W 4.7K Ω
C 706	183-4763-32	16V 47 μ F	R 408	119-3311-10	1/16W 330 Ω	R 601	111-6801-91	1/4WSS 68 Ω
C 708	183-3343-62	50V 0.33 μ F	R 409	119-3311-10	1/16W 330 Ω	R 602	111-1811-91	1/4WSS 180 Ω
C 709	042-0447-00	16V 2200 μ F	R 410	119-1021-10	1/16W 1K Ω	R 603	111-1811-91	1/4WSS 180 Ω

REF No.	PART No.	DESCRIPTION	REF No.	PART No.	DESCRIPTION	REF No.	PART No.	DESCRIPTION
R 604	119-3321-10	1/16W 3.3KΩ	R 630	119-1031-10	1/16W 10KΩ	R 820	119-4721-10	1/16W 4.7KΩ
R 605	119-1041-10	1/16W 100KΩ	R 631	119-1021-10	1/16W 1KΩ	R 821	119-1031-10	1/16W 10KΩ
R 606	119-2231-10	1/16W 22KΩ	R 632	119-1021-10	1/16W 1KΩ	R 901	119-2231-10	1/16W 22KΩ (PE2397B)
R 607	119-3311-10	1/16W 330Ω	R 701	119-4721-10	1/16W 4.7KΩ	R 902	119-2231-10	1/16W 22KΩ (PE2397B)
R 608	119-1521-10	1/16W 1.5KΩ	R 702	119-4721-10	1/16W 4.7KΩ	R 903	119-4731-10	1/16W 47KΩ
R 609	119-4731-10	1/16W 47KΩ	R 703	119-4721-10	1/16W 4.7KΩ	R 904	119-2231-10	1/16W 22KΩ
R 610	119-4721-10	1/16W 4.7KΩ	R 704	119-4721-10	1/16W 4.7KΩ	R 905	119-2231-10	1/16W 22KΩ
R 611	119-1031-10	1/16W 10KΩ	R 705	119-1231-10	1/16W 12KΩ	R 906	119-4731-10	1/16W 47KΩ (PE2397B)
R 612	119-1031-10	1/16W 10KΩ	R 706	119-1031-10	1/16W 10KΩ	R 908	119-4731-10	1/16W 47KΩ
R 613	119-5621-10	1/16W 5.6KΩ	R 801	119-1011-10	1/16W 100Ω	R 909	119-1041-10	1/16W 100KΩ
R 614	119-1531-10	1/16W 15KΩ	R 802	119-1021-10	1/16W 1KΩ	R 910	119-1041-10	1/16W 100KΩ
R 615	119-2231-10	1/16W 22KΩ	R 803	119-1021-10	1/16W 1KΩ	R 911	119-1041-10	1/16W 100KΩ
R 616	119-2231-10	1/16W 22KΩ	R 804	119-2221-10	1/16W 2.2KΩ	R 914	111-1521-91	1/4WSS 1.5KΩ
R 617	111-3321-91	1/16W 3.3KΩ	R 805	119-2221-10	1/16W 2.2KΩ	R 920	111-4711-91	1/4WSS 470Ω
R 618	119-1041-10	1/16W 100KΩ	R 806	119-1031-10	1/16W 10KΩ	R 921	111-4711-91	1/4WSS 470Ω
R 619	119-1041-10	1/16W 100KΩ	R 807	119-1221-10	1/16W 1.2KΩ	R 922	111-5611-91	1/4WSS 560Ω
R 620	111-3311-91	1/4WSS 330Ω	R 808	119-1041-10	1/16W 100KΩ	SUP101	060-0122-91	DSP141N
R 621	119-3321-10	1/16W 3.3KΩ	R 809	119-2221-10	1/16W 2.2KΩ	CN 601	074-1194-00	CE-NET
R 622	119-1031-10	1/16W 10KΩ	R 810	119-1031-10	1/16W 10KΩ	CN 701	074-1214-00	OUTLET SOCKET
R 623	119-1031-10	1/16W 10KΩ	R 811	111-1811-91	1/4WSS 180Ω	CN 801	074-1198-68	L2-CN2
R 624	119-3321-10	1/16W 3.3KΩ	R 812	111-1221-91	1/4WSS 1.2KΩ	CN 901	074-0986-26	CD-26PIN
R 625	119-4721-10	1/16W 4.7KΩ	R 813	111-4701-91	1/4WSS 47Ω	SW 601	013-6100-00	RESET
R 626	119-4741-10	1/16W 470KΩ	R 814	111-1811-91	1/4WSS 180Ω			
R 627	119-1031-10	1/16W 10KΩ	R 815	111-4701-91	1/4WSS 47Ω			
R 628	119-1531-10	1/16W 15KΩ	R 818	119-1021-10	1/16W 1KΩ			
R 629	119-4731-10	1/16W 47KΩ	R 819	119-4721-10	1/16W 4.7KΩ			

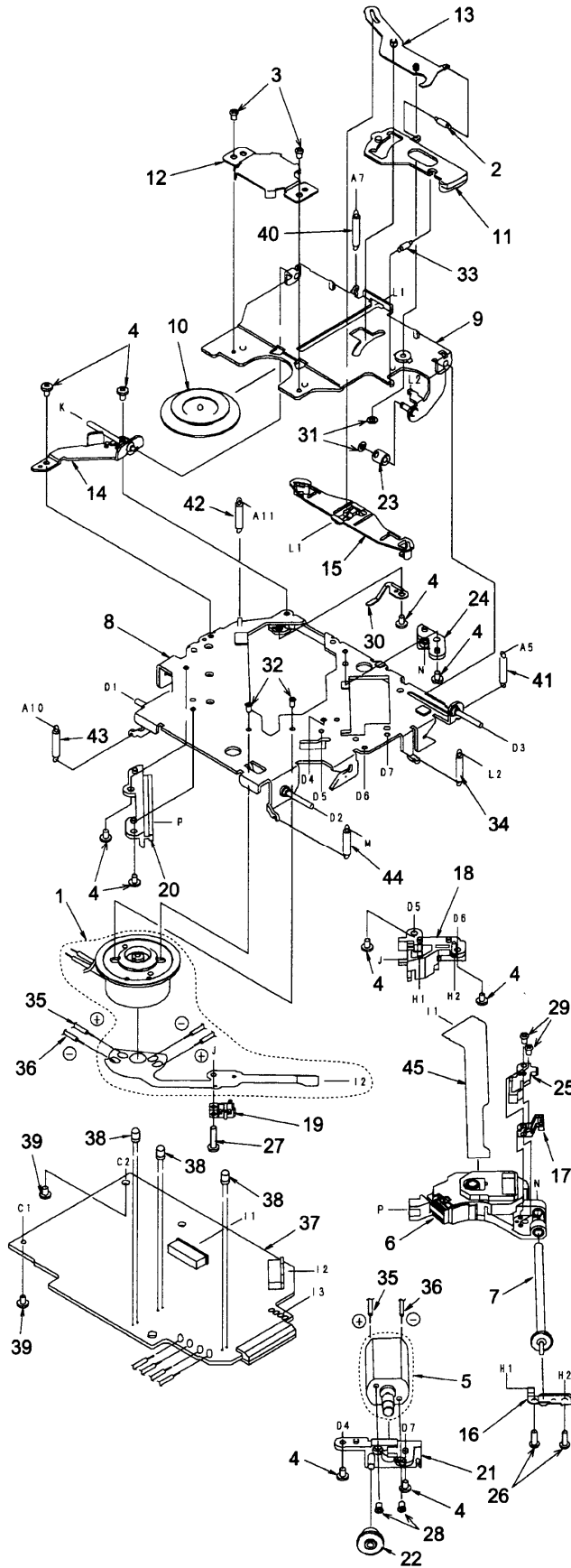
Switch PWB (B2) section

REF No.	PART No.	DESCRIPTION	REF No.	PART No.	DESCRIPTION	REF No.	PART No.	DESCRIPTION
IC 701	051-6047-00	LC75804W	R 719	032-0140-98	1/10W 330Ω	S 702	013-6506-50	ILLUMI SWITCH
D 704	001-7045-91	DIODE	R 720	032-0140-98	1/10W 330Ω	S 703	013-6506-50	ILLUMI SWITCH
D 713	001-7055-90	DIODE	R 721	032-0140-98	1/10W 330Ω	S 704	013-6506-50	ILLUMI SWITCH
D 715	001-7055-90	DIODE	R 724	032-0140-98	1/10W 330Ω	S 706	013-6506-50	ILLUMI SWITCH
D 716	001-7055-90	DIODE	R 725	032-0140-98	1/10W 330Ω	S 707	013-6506-50	ILLUMI SWITCH
D 718	001-7055-90	DIODE	R 726	119-1221-10	1/16W 1.2KΩ	S 708	013-6506-50	ILLUMI SWITCH
C 701	168-4732-78	50V 0.047 μF	R 727	119-1221-10	1/16W 1.2KΩ	S 709	013-6506-50	ILLUMI SWITCH
C 702	168-4732-78	50V 0.047 μF	R 728	119-1521-10	1/16W 1.5KΩ	S 710	013-6506-50	ILLUMI SWITCH
C 703	168-4732-78	50V 0.047 μF	R 729	119-1521-10	1/16W 1.5KΩ	S 711	013-6302-50	ILLUMI SWITCH
C 704	168-1022-55	50V 1000PF	R 730	119-1221-10	1/16W 1.2KΩ	S 712	013-6506-50	ILLUMI SWITCH
C 705	042-4016-52	10V 10 μF TAN	R 731	119-1221-10	1/16W 1.2KΩ	S 713	013-6506-50	ILLUMI SWITCH
C 706	168-1042-78	50V 0.1εgF	R 732	119-1221-10	1/16W 1.2KΩ	S 714	013-6506-50	ILLUMI SWITCH
C 707	042-4016-52	10V 10 μF TAN	R 733	119-1221-10	1/16W 1.2KΩ	S 715	013-6506-50	ILLUMI SWITCH
R 701	119-3931-10	1/16W 39KΩ	R 734	119-1221-10	1/16W 1.2KΩ	S 716	013-6302-50	ILLUMI SWITCH
R 702	119-1031-10	1/16W 10KΩ	R 735	119-1221-10	1/16W 1.2KΩ	S 717	013-6506-50	ILLUMI SWITCH
R 703	119-1011-10	1/16W 100Ω	R 736	119-1221-10	1/16W 1.2KΩ	S 718	013-6506-50	ILLUMI SWITCH
R 704	119-1041-10	1/16W 100KΩ	R 737	119-1221-10	1/16W 1.2KΩ	S 719	013-6506-50	ILLUMI SWITCH
R 705	119-3921-10	1/16W 3.9KΩ	R 738	119-1521-10	1/16W 1.5KΩ	S 720	013-6506-50	ILLUMI SWITCH
R 714	032-0140-98	1/10W 330Ω	R 739	119-1521-10	1/16W 1.5KΩ	S 721	013-6506-50	ILLUMI SWITCH
R 715	032-0140-98	1/10W 330Ω	CN 902	076-0647-00	PLUG	S 722	013-6506-50	ILLUMI SWITCH
R 718	032-0140-98	1/10W 330Ω	S 701	013-8002-00	JOGROTARYSW	IR 701	060-4008-00	RS-171

■ EXPLODED VIEW:

CD mechanism section 929-0092-82(BB-CD)

Drive unit section



■ PARTS LIST:

CD mechanism section 929-0092-82(BB-CD)

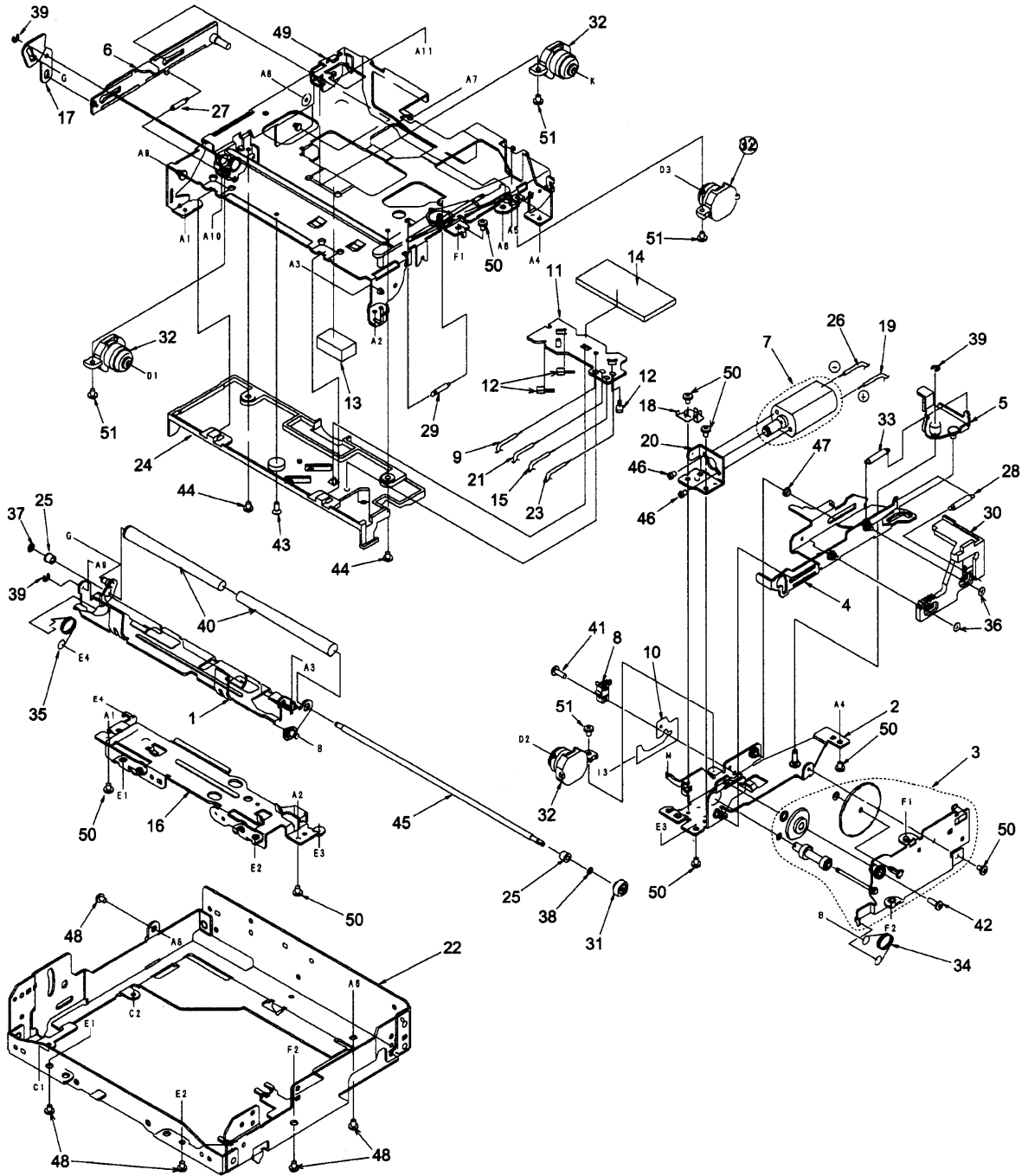
Note) Several different parts of the same reference number are alternative parts.

One of those parts is used in the set.

Drive unit section

NO.	PARTS NO.	DESCRIPTION	QTY	NO.	PARTS NO.	DESCRIPTION	QTY
1	SMA-151-100	MOTOR ASSY (SPINDLE)	1	25	621-0375-00	SH-BASE	1
2	750-3098-00	L-LINK SPRING	1	26	716-0675-00	SCREW (M2x 5.5)	2
3	716-1468-00	SCREW (M2x 2.5)	2	27	716-1555-00	WAVE SCREW (φ 2x 8)	1
4	716-2003-81	SCREW (M2x 3)	10	28	732-2004-11	SEMS SCREW (M2x 4)	2
5	SMA-146-100	MOTOR ASSY (SLED)	1	29	739-1735-17	PRECISION SCREW (M1.7x 3.5)	2
6	969-0008-00	PICK UP UNIT	1	30	620-0690-01	RATTLE PLATE	1
7	HBS-432-100	LS-GEAR ASSY	1	31	746-0761-00	WASHER	2
8	966-0447-07	DR-PLATE-ASSY	1	32	716-1733-00	SCREW (M1.7x 2.3)	2
9	966-0449-04	CLAMP-LINK-ASSY	1	33	750-3099-00	ES-SPRING	1
10	621-0205-02	CLAMPER RING	1	34	750-3097-03	CLAMPER SPRING	1
11	621-0251-03	LOCK LINK	1	35	816-2373-00	LEAD WIRE (WHT)	1
12	620-0198-03	CLAMPER PLATE	1	36	816-2372-00	LEAD WIRE (BLU)	1
13	966-0314-01	STOP LINK-ASSY	1	37	039-1732-01	CD PWB (WITHOUT COMPONENT)	1
14	966-0448-01	SIDE PLATE-ASSY	1	38	001-0563-00	LED	3
15	621-0252-03	DISC STOPPER	1	39	716-1670-00	SCREW (M2x 4)	2
16	620-0491-03	SPRING PLATE	1	40	750-3202-00	CENTER SPRING-B	1
17	966-0454-00	SCREW H-RACK-ASSY	1	41	750-3096-01	DR-SPRING R	1
18	621-0358-02	LS-HOLDER-F	1	42	750-3164-00	DR-SPRING LR	1
19	013-7100-00	SWITCH (LIMIT)	1	43	750-3188-00	DR-SPRING F-B	1
20	621-0357-03	PICK UP GUIDE	1	44	750-3201-00	DR-SPRING F-R	1
21	621-0253-02	MOTOR HOLDER	1	45	039-1587-00	FPC (WITHOUT COMPONENT)	1
22	621-0255-02	SECOND GEAR	1				
23	622-1073-02	CLAMPER ROLLER	1				
24	621-0359-02	LS-HOLDER-R	1				

MECH chassis section



MECH chassis section

NO.	PARTS NO.	DESCRIPTION	QTY
1	966-0309-05	L-DISC-G-ASSY	1
2	966-0310-06	SHIFT-P-CH-ASSY	1
3	HBS-430-100	GEAR PLATE ASSY	1
4	966-0312-06	SHIFT-PLATE-ASSY	1
5	966-0358-01	DRIVE-L-PLATE-ASSY	1
6	966-0359-03	SIDE-L-PLATE-ASSY	1
7	SMA-147-100	MOTOR ASSY (LOADING)	1
8	013-3879-01	CHUCKING SWITCH	1
9	804-4910-60	VINYL-COAT-WIRE (YEL)	1
10	039-0586-01	CHUCKING SWITCH PWB (WITHOUT COMPONENT)	1
11	039-0588-01	SENSOR PWB (WITHOUT COMPONENT)	1
12	060-0252-01	PHOTO-TR	3
13	345-7513-01	CLAMPER SHEET	1
14	345-7514-00	SENSOR PWB SHEET	1
15	802-4910-60	VINYL-COAT-WIRE (RED)	1
16	620-0485-04	FRONT PLATE	1
17	620-0488-01	S-L-LINK PLATE	1
18	620-0489-02	MOTOR PLATE	1
19	802-4904-60	VINYL-COAT-WIRE (RED)	1
20	620-0492-01	MOTOR BRACKET	1
21	801-4910-60	VINYL-COAT-WIRE (BRN)	1
22	620-0773-01	CD-MECH-BRKT	1
23	800-4910-60	VINYL-COAT-WIRE (BLK)	1
24	621-0402-01	U-DISC GUIDE-F	1
25	621-0243-02	ROLLER SLEEVE	2

NO.	PARTS NO.	DESCRIPTION	QTY
26	800-4904-60	VINYL-COAT-WIRE (BLK)	1
27	750-3189-00	SIDE-L-SPRING	1
28	750-3098-00	L-LINK SPRING	1
29	750-3094-00	S-ARM SPRING	1
30	621-0248-07	RACK GEAR	1
31	621-0249-02	ROLLER GEAR	1
32	629-0074-00	DAMPER	4
33	750-3092-03	SHIFT SPRING	1
34	750-3091-03	ROADING-SPRING-R	1
35	750-3090-02	ROADING-SPRING-L	1
36	746-0877-02	WASHER	2
37	746-0762-00	WASHER	1
38	746-0712-03	WASHER	1
39	743-1500-10	E-RING	3
40	621-0258-03	LOADING ROLLER	2
41	716-1742-00	SCREW (M2x 5)	1
42	716-1704-00	SCREW (M2x 7)	1
43	716-1677-00	SCREW (M2x 5)	1
44	716-1507-00	SCREW (M2x 3)	2
45	622-1072-05	ROLLER SHAFT	1
46	716-1468-00	SCREW (M2x 2.5)	2
47	622-1219-01	SHIFT ROLLER	1
48	714-2603-81	SCREW (M2.6x 3)	5
49	966-0308-11	CHASSIS ASSY	1
50	714-2003-81	SCREW (M2x 3)	8
51	716-1670-00	SCREW (M2x 4)	4

■ ELECTRICAL PARTS LIST:

CD mechanism section (B3)

Note) Several different parts of the same reference number are alternative parts.

One of those parts is used in the set.

REF No.	PART No.	DESCRIPTION	REF No.	PART No.	DESCRIPTION	REF No.	PART No.	DESCRIPTION
C1	163-1073-10	6.3V 100 μ F	C36	176-6801-00	68pF CH	R8	117-1041-10	1/10W 100K Ω
C3	178-1042-78	0.1 μ F	C37	176-2201-00	22pF CH	R9	117-1031-10	1/10W 10K Ω
C4	178-2222-78	2200pF	C38	178-1042-78	0.1 μ F	R10	117-4731-10	1/10W 47K Ω
C5	178-1042-78	0.1 μ F	C39	163-4763-05	4V 47 μ F	R12	117-4741-10	1/10W 470K Ω
C6	178-1042-78	0.1 μ F	C44	178-2242-78	0.22 μ F	R13	117-3331-10	1/10W 33K Ω
C7	178-1042-78	0.1 μ F	C45	178-2242-78	0.22 μ F	R14	117-3321-10	1/10W 3.3K Ω
C8	176-1501-00	15pF CH	C46	163-4763-10	6.3V 47 μ F	R15	117-1031-10	1/10W 10K Ω
C9	176-1501-00	15pF CH	C47	178-8222-78	8200pF	R16	117-3321-10	1/10W 3.3K Ω
C10	176-1201-00	12pF CH	C48	178-1042-78	0.1 μ F	R17	117-3321-10	1/10W 3.3K Ω
C11	178-1042-78	0.1 μ F	C50	163-1073-10	6.3V 100 μ F	R18	117-3321-10	1/10W 3.3K Ω
C13	178-1042-78	0.1 μ F	C51	178-1042-78	0.1 μ F	R19	117-3321-10	1/10W 3.3K Ω
C14	178-1042-78	0.1 μ F	C52	178-2232-78	0.022 μ F	R20	117-3321-10	1/10W 3.3K Ω
C15	178-1042-78	0.1 μ F	C54	176-2201-00	22pF CH	R21	117-2221-10	1/10W 2.2K Ω
C16	178-1042-78	0.1 μ F	C61	178-1042-78	0.1 μ F	R22	117-8211-10	1/10W 820K Ω
C17	163-1073-31	16V 100 μ F	C63	178-1042-78	0.1 μ F	R23	117-9131-10	1/10W 91K Ω
C18	176-4701-00	47pF CH	C64	178-1042-78	0.1 μ F	R24	117-1041-10	1/10W 100K Ω
C19	178-1532-78	0.015 μ F	C65	178-1042-78	0.1 μ F	R25	117-1041-10	1/10W 100K Ω
C20	178-1032-78	0.01 μ F	D4	001-0516-00	MA111	R26	117-1841-10	1/10W 180K Ω
C21	178-2722-78	2700pF	IC1	051-5704-00	TA2096FN	R27	117-1841-10	1/10W 180K Ω
C22	178-4722-78	4700pF	IC2	051-6342-00	TC9462F	R28	117-2211-10	1/10W 220 Ω
C23	178-1042-78	0.1 μ F	IC3	051-6045-08	BA5984FP	R29	117-2201-10	1/10W 22 Ω
C24	178-1042-78	0.1 μ F	J1	074-1138-66	16P	R30	117-1041-10	1/10W 100K Ω
C25	178-1042-78	0.1 μ F	J2	074-1138-06	6P	R31	117-1041-10	1/10W 100K Ω
C26	178-4712-78	470pF	L1	010-2155-93	10 μ H	R32	117-1041-10	1/10W 100K Ω
C27	178-4712-78	470pF	L3	010-2199-74	10 μ H J	R33	117-1041-10	1/10W 100K Ω
C28	178-4732-78	0.047 μ F	Q1	101-1188-50	2SB1188PQR	R34	117-1041-10	1/10W 100K Ω
C29	178-4732-78	0.047 μ F	R1	117-2211-10	1/10W 220 Ω	R35	117-2241-10	1/10W 220K Ω
C30	178-4732-78	0.047 μ F	R2	117-2211-10	1/10W 220 Ω	R36	117-1041-10	1/10W 100K Ω
C31	178-4732-78	0.047 μ F	R3	117-5611-10	1/10W 560 Ω	R37	117-1041-10	1/10W 100K Ω
C32	163-4763-05	4V 47 μ F	R4	117-5611-10	1/10W 560 Ω	R38	117-8231-10	1/10W 82K Ω
C33	163-4763-05	4V 47 μ F	R5	117-4711-10	1/10W 470 Ω	R39	117-1841-10	1/10W 180K Ω
C34	176-1801-00	18pF CH	R6	117-3311-10	1/10W 330 Ω	X1	061-3500-90	16.920MHz
C35	176-6097-00	6pF CH	R7	117-4721-10	1/10W 4.7K Ω			

Sensor PWB section (B4)

REF No.	PART No.	DESCRIPTION
Q101	060-0252-01	PT4850F

REF No.	PART No.	DESCRIPTION
Q102	060-0252-01	PT4850F

REF No.	PART No.	DESCRIPTION
Q103	060-0252-01	PT4850F

Chuckling SW PWB section (B5)

REF No.	PART No.	DESCRIPTION
S2	013-3879-01	SPPB12

Limit SW PWB (Motor assy/SMA-151-100) section (B6)

REF No.	PART No.	DESCRIPTION
S1	013-7100-00	SPPB11