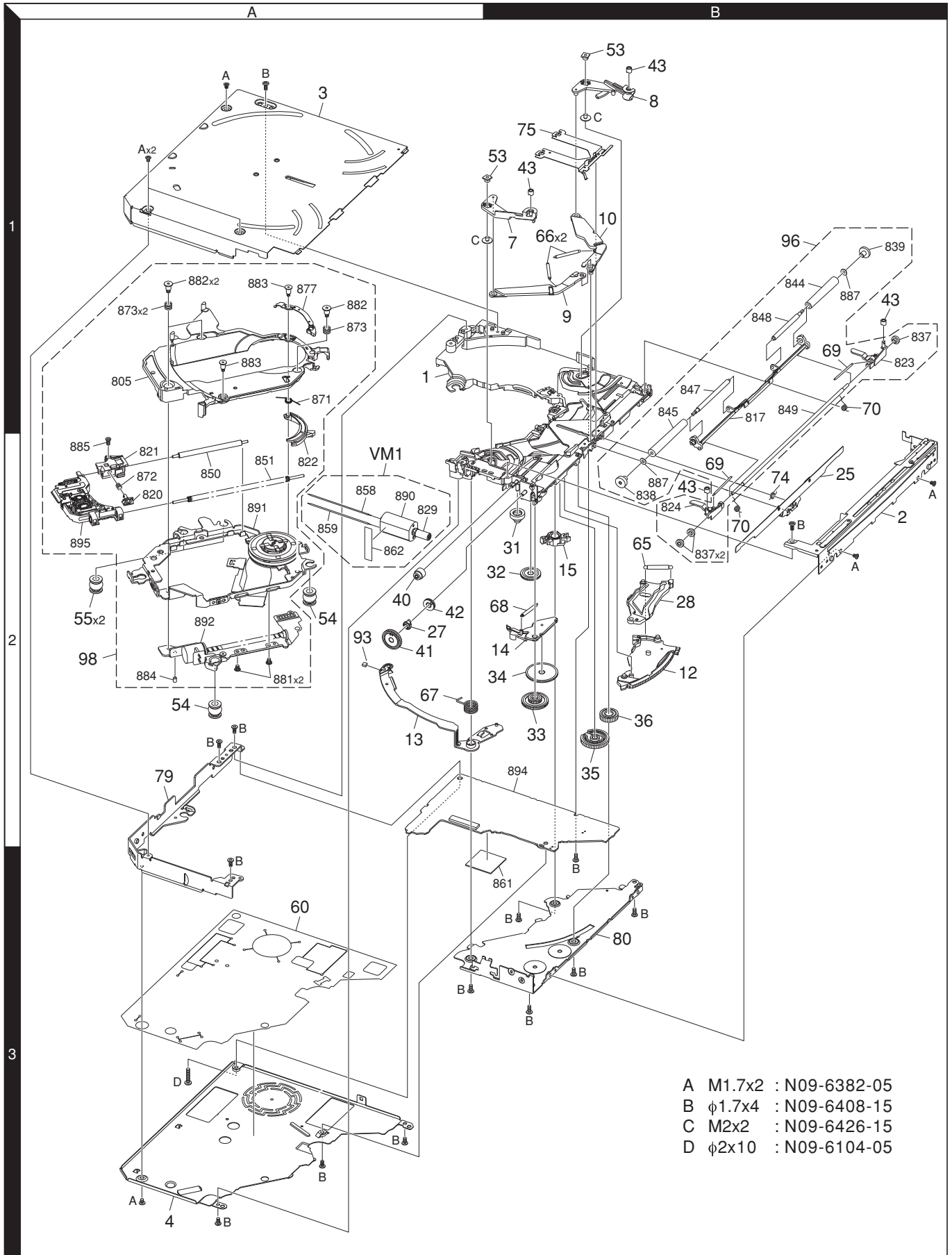


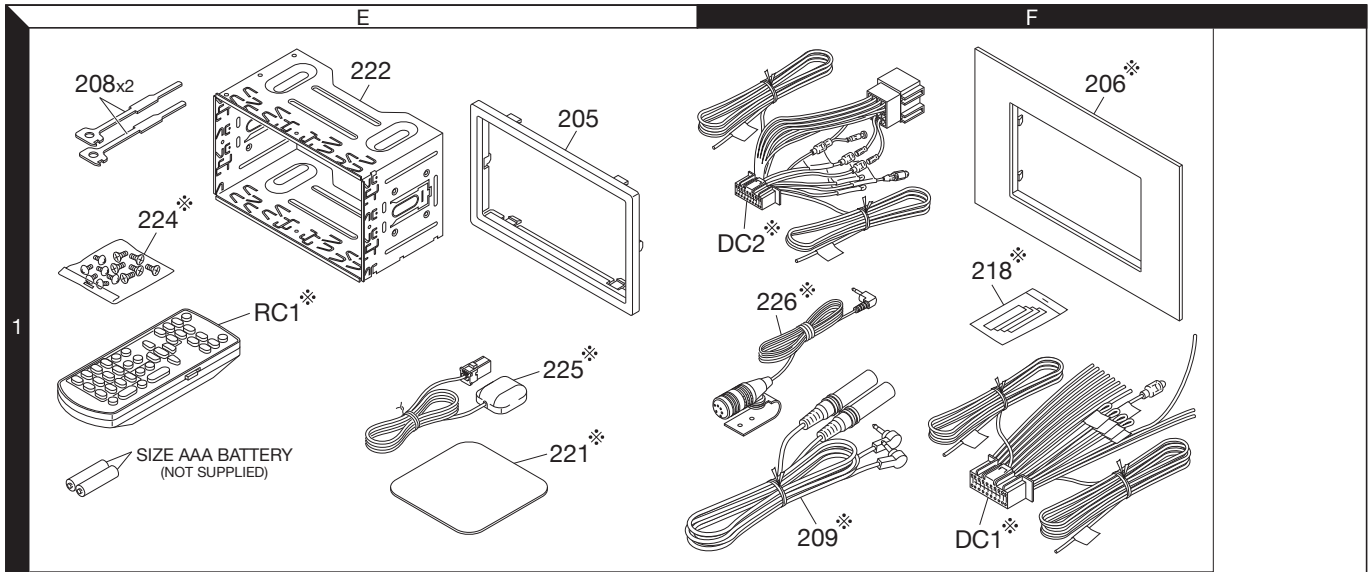
EXPLODED VIEW (DVD MECHANISM)



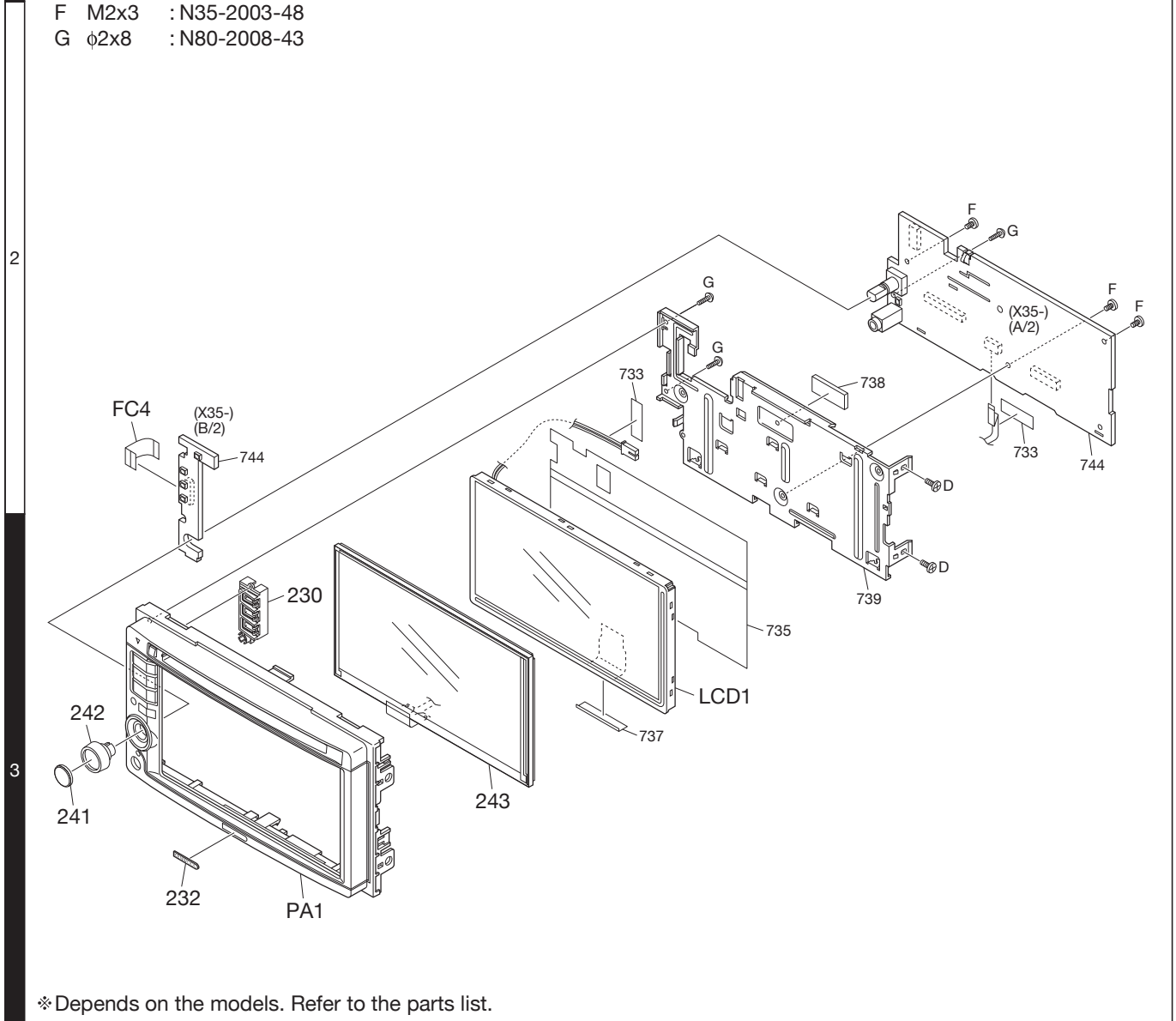
- A M1.7x2 : N09-6382-05
- B ϕ 1.7x4 : N09-6408-15
- C M2x2 : N09-6426-15
- D ϕ 2x10 : N09-6104-05

Parts with the exploded numbers larger than 700 are not supplied.

EXPLODED VIEW (PANEL MECHANISM)



- D ϕ 2.6x6 : N78-2660-48
- F M2x3 : N35-2003-48
- G ϕ 2x8 : N80-2008-43



* Depends on the models. Refer to the parts list.

Parts with the exploded numbers larger than 700 are not supplied.

PARTS LIST

* New parts
 Parts without **Parts No.** are not supplied.
 Les articles non mentionnés dans le **Parts No.** ne sont pas fournis.
 Teile ohne **Parts No.** werden nicht geliefert.

Ref. No.	A d d	N e w	Parts No.	Description	Desti- nation
DDX5022/5022Y/5032/5032M/512/52RY DNX5120/512EX/5220/5220BT					
RC1	1E		A70-2083-15	REMOTE CONTROLLER ASSY	E2M1M2
RC1	1E		A70-2083-15	REMOTE CONTROLLER ASSY	X1E5
-		*	B54-4618-00	INSTALLATION MANUA (ENG.FRE.SPA	KR1
-		*	B54-4619-00	INSTALLATION MANUAL (PORTUGUESE	R1
-		*	B54-4620-00	INSTALLATION MAN (ENG.S-CHI.KOR	M1M2X1
-		*	B54-4621-00	INSTALLATION MANUAL (ENGLISH)	E1E2E5
-		*	B54-4622-00	INSTALLATION MANUA (F.G.D.I.S.P	E1
-		*	B54-4623-00	INSTALLATION MANUAL (RUSSIAN)	E2E5
-		*	B54-4624-00	INSTALLATION MANUA (ENG.FRE.SPA	K1K2
-		*	B54-4626-00	INSTALLATION MAN (E.F.G.D.I.S.P	E3E4
-		*	B64-3971-00	INSTRUCTION MANUAL (ENGLISH)	KR1K1
-		*	B64-3971-00	INSTRUCTION MANUAL (ENGLISH)	K2
-		*	B64-3972-00	INSTRUCTION MANUAL (FRENCH)	KK1K2
-		*	B64-3973-00	INSTRUCTION MANUAL (SPANISH)	KR1K1
-		*	B64-3973-00	INSTRUCTION MANUAL (SPANISH)	K2
-		*	B64-3974-00	INSTRUCTION MANUAL (PORTUGUESE)	R1
-		*	B64-3975-00	INSTRUCTION MANUAL (ENGLISH)	M1M2X1
-		*	B64-3976-00	INSTRUCTION MANUAL (S-CHINESE)	M1
-		*	B64-3977-00	INSTRUCTION MANUAL (KOREAN)	M1
-		*	B64-3978-00	INSTRUCTION MANUAL (ENGLISH)	E1E2E5
-		*	B64-3978-00	INSTRUCTION MANUAL (ENGLISH)	E3E4
-		*	B64-3979-00	INSTRUCTION MANUAL (FRENCH)	E1E3E4
-		*	B64-3980-00	INSTRUCTION MANUAL (GERMAN)	E1E3E4
-		*	B64-3981-00	INSTRUCTION MANUAL (DUTCH)	E1E3E4
-		*	B64-3982-00	INSTRUCTION MANUAL (ITALIAN)	E1E3E4
-		*	B64-3983-00	INSTRUCTION MANUAL (SPANISH)	E1E3E4
-		*	B64-3984-00	INSTRUCTION MANUAL (PORTUGUESE)	E1E3E4
-		*	B64-3985-00	INSTRUCTION MANUAL (RUSSIAN)	E2E5
-		*	B64-4004-00	INSTRUCTION MANUAL (ENGLISH)	K1K2
-		*	B64-4005-00	INSTRUCTION MANUAL (FRE.SPA.)	K1K2
-		*	B64-4006-00	INSTRUCTION MANUAL (ENGLISH)	E3E4
-		*	B64-4007-00	INSTRUCTION MANUAL (FRE.GER.DUT	E3E4
-		*	B64-4008-00	INSTRUCTION MANUAL (ITA.SPA.POR	E3E4
205	1E		B07-3165-02	ESCUTCHEON	
206	1F		B07-3172-12	ESCUTCHEON	KR1M1
206	1F		B07-3172-12	ESCUTCHEON	K2
206	1F		B07-3172-12	ESCUTCHEON	M2X1K1
208	1E		D10-4589-04	LEVER	
209	1F	*	E30-6785-05	CORD WITH PLUG	KR1K1
209	1F	*	E30-6785-05	CORD WITH PLUG	K2
210	2C	*	E30-6810-05	CORD WITH PLUG	E3
DC1	1F	*	E30-6795-05	DC CORD	KR1M1
DC1	1F	*	E30-6795-05	DC CORD	K2
DC1	1F	*	E30-6795-05	DC CORD	M2X1K1
DC2	1F	*	E30-6796-05	DC CORD	E1E2E5
DC2	1F	*	E30-6796-05	DC CORD	E3E4
FC1	3C	*	E39-0995-15	FLAT CABLE	
FC2	3C	*	E39-0996-15	FLAT CABLE	
FC3	2C	*	E39-0997-15	FLAT CABLE	
WH1	1D	*	E39-0994-15	WIRING HARNESS	
213	1D		F09-2929-04	CAP	

Ref. No.	A d d	N e w	Parts No.	Description	Desti- nation
214	2C	*	F09-2959-05	FAN	
F1	2D		F52-0007-05	FUSE (MINI BLADE TYPE) 15A	
-		*	H54-4274-13	ITEM CARTON CASE	K
-		*	H54-4275-13	ITEM CARTON CASE	R1
-		*	H54-4276-13	ITEM CARTON CASE	E1
-		*	H54-4277-13	ITEM CARTON CASE	E2
-		*	H54-4278-13	ITEM CARTON CASE	M1X1
-		*	H54-4279-13	ITEM CARTON CASE	M2
-		*	H54-4282-13	ITEM CARTON CASE	K1
-		*	H54-4283-03	ITEM CARTON CASE	E3
-		*	H54-4284-03	ITEM CARTON CASE	E4
-		*	H54-4379-03	ITEM CARTON CASE	E5
-		*	H54-4380-03	ITEM CARTON CASE	K2
218	1F		H30-0595-04	ADHESIVE DOUBLE-COATED TAPE	KR1M1
218	1F		H30-0595-04	ADHESIVE DOUBLE-COATED TAPE	K2
218	1F		H30-0595-04	ADHESIVE DOUBLE-COATED TAPE	M2X1K1
220	2D		J11-0660-05	CLAMPER	E4
220	2D		J11-0660-05	CLAMPER	K1K2E3
221	1E		J21-9867-04	MOUNTING HARDWARE	E4
221	1E		J21-9867-04	MOUNTING HARDWARE	K1K2E3
222	1E		J22-0657-03	MOUNTING HARDWARE ASSY	
224	1E		N99-1779-15	SCREW SET	KR1M1
224	1E		N99-1779-15	SCREW SET	K2
224	1E		N99-1779-15	SCREW SET	M2X1K1
A	2D	*	N09-6731-05	MACHINE SCREW (BAINDO M3X14)	
B	3D		N35-2604-43	BINDING HEAD MACHINE SCREW	
C	2C	*	N35-2620-48	BINDING HEAD MACHINE SCREW	
D	3F		N78-2660-48	PAN HEAD TAPTITE SCREW	
E	1D		N86-2605-48	BINDING HEAD TAPTITE SCREW	
225	1E	*	W02-5305-05	ANTENNA MODULE	E4
225	1E	*	W02-5305-05	ANTENNA MODULE	K1K2E3
226	1F	*	W01-1718-05	MICROPHONE	E3
DISPLAY ASSY					
PA1	3E	*	A64-4530-11	PANEL ASSY	K
PA1	3E	*	A64-4532-11	PANEL ASSY	E1E2
PA1	3E	*	A64-4535-11	PANEL ASSY	K1
PA1	3E	*	A64-4536-11	PANEL ASSY	E3
PA1	3E	*	A64-4537-11	PANEL ASSY	E4
PA1	3E	*	A64-4539-01	PANEL ASSY	R1M1M2
PA1	3E	*	A64-4539-01	PANEL ASSY	X1
PA1	3E	*	A64-4540-01	PANEL ASSY	E5
PA1	3E	*	A64-4551-01	PANEL ASSY	K2
230	3E	*	B19-2492-13	LIGHTING BOARD	
232	3E		B43-1518-04	BADGE	
LCD1	3F	*	B38-1202-05	LCD	
FC4	2E	*	E39-0998-15	FLAT CABLE	
241	3E	*	K28-0302-04	KEY TOP (VOL)	
242	3E	*	K28-0304-03	KNOB ASSY (VOL)	
F	2F		N35-2003-48	BINDING HEAD MACHINE SCREW	
G	2F		N80-2008-43	PAN HEAD TAPTITE SCREW	
243	3E	*	S79-0862-05	SWITCH ASSY	

E1: DDX5022 **E2:** DDX5022Y **E3:** DNX5220BT **E4:** DNX5220 **E5:** DDX52RY (Europe)
K: DDX512 **K1:** DNX5120 **K2:** DNX512EX (North America)
X1: DDX5032 (Australia) **R1:** DDX5032 (Latin America)
M1: DDX5032 **M2:** DDX5032M (Other Areas)

△ Indicates safety critical components.

PARTS LIST

Ref. No.	Add	New	Parts No.	Description	Destination	Ref. No.	Add	New	Parts No.	Description	Destination
DVD PLAYER ASSY						C190			CE32AV0J221M	CHIP EL 220UF 6.3WV	
B	3D		N35-2604-43	BINDING HEAD MACHINE SCREW		C191			CK73GB1H103K	CHIP C 0.010UF K	
VME1	1C	*	X92-6160-00	DVD MECHANISM ASSY (DVS-8020V)		C192,193			CK73GB1H104K	CHIP C 0.10UF K	
CONTROL ASSY (NAVI MODULE ASSY)						C194			CK73GB1H103K	CHIP C 0.010UF K	
WH2	2D	*	E39-0993-25	WIRING HARNESS	E4	C195			CE32AV0J221M	CHIP EL 220UF 6.3WV	
WH2	2D	*	E39-0993-25	WIRING HARNESS	K1K2E3	C196			CE32AV0G331M	CHIP EL 330UF 4.0WV	
250	2D	*	W02-5306-05	NAVIGATION MODULE	K1K2	C197			CK73GB1H103K	CHIP C 0.010UF K	
250	2D	*	W02-5308-05	NAVIGATION MODULE	E3E4	C198,199			CK73GB1H104K	CHIP C 0.10UF K	
VIDEO CONTROL UNIT (X15-108x-xx)						C200			CK73GB1H103K	CHIP C 0.010UF K	
C1			C90-5670-05	ELECTRO 2200UF 16WV		C201			CK73GB1H102K	CHIP C 1000PF K	
C4,5			CK73GB1H104K	CHIP C 0.10UF K		C204,205			CK73GB1A474K	CHIP C 0.47UF K	
C8			CK73GB1H104K	CHIP C 0.10UF K		C206			CE32BJ1C470M	CHIP EL 47UF 16WV	
C9			CK73FB1A225K	CHIP C 2.2UF K		C207			CK73GB1A474K	CHIP C 0.47UF K	
C10			CE32BF1E101M	CHIP EL 100UF 25WV		C208			CK73GB1H103K	CHIP C 0.010UF K	
C100,101			CC73GCH1H101J	CHIP C 100PF J		C209			CK73GB1A474K	CHIP C 0.47UF K	
C102			CK73GB1H104K	CHIP C 0.10UF K		C210			CK73GB0J475K	CHIP C 4.7UF K	
C103			CC73GCH1H221J	CHIP C 220PF J		C211			CK73FB0J106K	CHIP C 10UF K	
C104,105			CC73GCH1H470J	CHIP C 47PF J		C212			CK73GB0J475K	CHIP C 4.7UF K	
C106,107			CK73GB1C473K	CHIP C 0.047UF K		C213			CK73GB1H102K	CHIP C 1000PF K	
C108			CC73GCH1H221J	CHIP C 220PF J		C214			CE32AV1A121M	CHIP EL 120UF 10WV	
C109,110			CC73GCH1H470J	CHIP C 47PF J		C215-217			CK73GB1H102K	CHIP C 1000PF K	
C111			CK73GB1C473K	CHIP C 0.047UF K		C218			CK73GB1A105K	CHIP C 1.0UF K	
C112,113			CC73GCH1H221J	CHIP C 220PF J		C219			CK73FB0J106K	CHIP C 10UF K	
C116			CK73GB1H103K	CHIP C 0.010UF K		C220			CE32BJ1C470M	CHIP EL 47UF 16WV	
C117			CK73GB1H223K	CHIP C 0.022UF K		C222			CK73GB1H103K	CHIP C 0.010UF K	E1E2E5
C118,119			CK73GB1H103K	CHIP C 0.010UF K		C225-227			CK73GB1A105K	CHIP C 1.0UF K	
C120			CK73GB1H153K	CHIP C 0.015UF K		C229			CK73GB1H103K	CHIP C 0.010UF K	
C121			CK73GB1H223K	CHIP C 0.022UF K		C232			CK73GB1H104K	CHIP C 0.10UF K	
C124-129			CK73GB1H102K	CHIP C 1000PF K		C233,234			CK73GB1A105K	CHIP C 1.0UF K	
C130,131			CK73FB0J106K	CHIP C 10UF K		C235,236			CE32BJ1C220M	CHIP EL 22UF 16WV	
C132,133			CK73GB1H104K	CHIP C 0.10UF K		C239			CK73GB1H103K	CHIP C 0.010UF K	
C134,135			CK73FB0J106K	CHIP C 10UF K		C240-243			CK73GB1A105K	CHIP C 1.0UF K	
C136-141			CK73GB1H104K	CHIP C 0.10UF K		C244			CK73FB0J106K	CHIP C 10UF K	
C142,143			CK73EB1E225K	CHIP C 2.2UF K		C245			CK73GB1H104K	CHIP C 0.10UF K	
C144-149			CK73GB1H104K	CHIP C 0.10UF K		C246			CK73FB0J106K	CHIP C 10UF K	
C150-157			CK73GB1H103K	CHIP C 0.010UF K		C247			CK73GB1H104K	CHIP C 0.10UF K	
C158-161			CK73GB1H104K	CHIP C 0.10UF K		C248			CE32BQ0J331M	CHIP EL 330UF 6.3WV	
C162-169			CK73GB1H102K	CHIP C 1000PF K		C249			CK73GB1A105K	CHIP C 1.0UF K	
C170			C93-1367-05	CHIP C 10UF K		C250			CK73FB0J106K	CHIP C 10UF K	
C171			CK73GB1H103K	CHIP C 0.010UF K		C251-253			CK73GB1H103K	CHIP C 0.010UF K	
C172			CK73GB1H104K	CHIP C 0.10UF K		C254			CK73FB0J106K	CHIP C 10UF K	
C173,174		*	CE32BQ1E680M	CHIP EL 68UF 25WV		C255-257			CK73GB1A474K	CHIP C 0.47UF K	
C175			CK73GB1H104K	CHIP C 0.10UF K		C265			CK73GB1H102K	CHIP C 1000PF K	
C176			CK73GB1H103K	CHIP C 0.010UF K		C300,301			CK73GB1H104K	CHIP C 0.10UF K	E4K2
C177,178			C93-1367-05	CHIP C 10UF K		C300,301			CK73GB1H104K	CHIP C 0.10UF K	E5R1K1
C179			CK73GB1H103K	CHIP C 0.010UF K		C300,301			CK73GB1H104K	CHIP C 0.10UF K	KM1M2
C180			CK73GB1H104K	CHIP C 0.10UF K		C301			CK73GB1H104K	CHIP C 0.10UF K	X1E1E2
C181,182		*	CE32BQ1E680M	CHIP EL 68UF 25WV		C302			CK73GB1H103K	CHIP C 0.010UF K	E3
C183			CK73GB1H104K	CHIP C 0.10UF K		C303			CK73GB1H104K	CHIP C 0.10UF K	
C184			CK73GB1H103K	CHIP C 0.010UF K		C304			CK73GB1H103K	CHIP C 0.010UF K	
C185			C93-1367-05	CHIP C 10UF K		C307			CK73GB1H104K	CHIP C 0.10UF K	
C186-189			CK73GB1H102K	CHIP C 1000PF K		C308			CK73GB1H103K	CHIP C 0.010UF K	
						C309			CE32BF1E101M	CHIP EL 100UF 25WV	
						C312,313			CK73GB1H102K	CHIP C 1000PF K	

E1: DDX5022 E2: DDX5022Y E3: DNX5220BT E4: DNX5220 E5: DDX52RY (Europe) △ Indicates safety critical components.
 K: DDX512 K1: DNX5120 K2: DNX512EX (North America)
 X1: DDX5032 (Australia) R1: DDX5032 (Latin America)
 M1: DDX5032 M2: DDX5032M (Other Areas)

PARTS LIST

VIDEO CONTROL UNIT (X15-108x-xx)

Ref. No.	Ad	New	Parts No.	Description	Destination	Ref. No.	Ad	New	Parts No.	Description	Destination
C314			CK73GB1H103K	CHIP C 0.010UF K		C826			CK73GB1A105K	CHIP C 1.0UF K	
C408			CK73GB1A474K	CHIP C 0.47UF K		C827,828			CK73GB1H104K	CHIP C 0.10UF K	
C410			CE32BJ0J470M	CHIP EL 47UF 6.3WV		C829			CK73GB1A105K	CHIP C 1.0UF K	
C412			CK73GB1A474K	CHIP C 0.47UF K		C830			CK73GB1H104K	CHIP C 0.10UF K	
C413			CE32BF1C221M	CHIP EL 220UF 16WV	E4	C833			CK73GB1A105K	CHIP C 1.0UF K	
C413			CE32BF1C221M	CHIP EL 220UF 16WV	K1K2E3	C834,835			CC73GCH1H100D	CHIP C 10PF D	
C414			CK73GB1H103K	CHIP C 0.010UF K	E4	C836-839			CK73FB0J106K	CHIP C 10UF K	
C414			CK73GB1H103K	CHIP C 0.010UF K	K1K2E3	C840			CK73GB1H104K	CHIP C 0.10UF K	
C501			CK73GB1H104K	CHIP C 0.10UF K	E3	C841			CE32BF1C221M	CHIP EL 220UF 16WV	
C502,503			CC73GCH1H100D	CHIP C 10PF D	E3	C842			CK73GB1H104K	CHIP C 0.10UF K	
C504-507			CK73GB1A105K	CHIP C 1.0UF K	E3	C843			CK73FB0J106K	CHIP C 10UF K	
C508			CK73FB0J106K	CHIP C 10UF K	E3	C851			CK73FB0J106K	CHIP C 10UF K	
C509			CC73GCH1H101J	CHIP C 100PF J	E3	C852			CK73GB1H104K	CHIP C 0.10UF K	
C510,511			CK73GB1H104K	CHIP C 0.10UF K	E3	C853,854			CC73GCH1H050C	CHIP C 5.0PF C	
C601-603			CK73GB1H104K	CHIP C 0.10UF K		C855			CK73GB1H104K	CHIP C 0.10UF K	
C604-606			CK73GB1A105K	CHIP C 1.0UF K		C864			CK73GB1H104K	CHIP C 0.10UF K	
C607			CK73FB0J106K	CHIP C 10UF K		C865			CK73GB1H102K	CHIP C 1000PF K	
C621-624			CK73GB1H104K	CHIP C 0.10UF K		CN1	*	E41-2685-05	PIN ASSY		
C625			CK73GB0J475K	CHIP C 4.7UF K		CN2		E41-2735-05	PIN ASSY		
C626-630			CK73GB1H104K	CHIP C 0.10UF K		CN301		E41-2237-05	FLAT CABLE CONNECTOR		
C631			CK73GB0J475K	CHIP C 4.7UF K		CN401		E41-2772-05	PIN ASSY	E4	
C632-638			CK73GB1H104K	CHIP C 0.10UF K		CN401		E41-2772-05	PIN ASSY	K1K2E3	
C651			CK73GB1A105K	CHIP C 1.0UF K		CN701		E41-2153-05	FLAT CABLE CONNECTOR		
C652			CK73GB1H104K	CHIP C 0.10UF K		J201		E11-0625-05	PHONE JACK (IPOD-A)		
C653			CK73FB0J106K	CHIP C 10UF K		J202	*	E11-0656-05	PHONE JACK (IPOD-V YELLOW)		
C654			CK73GB1H104K	CHIP C 0.10UF K		J203	*	E63-0956-05	RCA PIN JACK (AV-OUT,V-IN)		
C655,656			CK73FB0J106K	CHIP C 10UF K		J301		E58-1095-05	RECTANGULAR RECEPTACLE		
C657,658			CK73GB1H104K	CHIP C 0.10UF K		J401		E56-0864-05	CYLINDRICAL RECEPTACLE	E5R1	
C661,662			CK73EB1A106K	CHIP C 10UF K		J401		E56-0864-05	CYLINDRICAL RECEPTACLE	KM1M2	
C663,664			CK73GB1H222K	CHIP C 2200PF K		J401		E56-0864-05	CYLINDRICAL RECEPTACLE	X1E1E2	
C665,666			CK73GB1H271K	CHIP C 270PF K		J501		E11-0625-05	PHONE JACK	E3	
C667-670			CK73EB1A106K	CHIP C 10UF K		J502		E04-0324-05	RF COAXIAL CABLE RECEPTACLE	E3	
C672			CK73FB0J106K	CHIP C 10UF K		J681		E11-0625-05	PHONE JACK (DIGITAL-OUT)		
C673			CK73GB1H103K	CHIP C 0.010UF K		W801	*	E30-6777-05	CORD WITH CONNECTOR (USB CABLE)		
C691-693			CK73GB1H104K	CHIP C 0.10UF K		L1	Δ	L33-2358-05	CHOKE COIL		
C701,702			CK73FB0J106K	CHIP C 10UF K		L100-103		L33-2369-05	CHOKE COIL (10U)		
C703	*		CE32BQ1E680M	CHIP EL 68UF 25WV		L104-107		L33-2370-05	CHOKE COIL (10U)		
C704			CK73GB1A105K	CHIP C 1.0UF K		L108		L92-0373-05	CHIP FERRITE		
C705-725			CK73GB1H104K	CHIP C 0.10UF K		L201		L92-0319-05	CHIP FERRITE		
C726,727			CC73GCH1H100D	CHIP C 10PF D		L202		L41-1005-33	SMALL FIXED INDUCTOR (10U)		
C728			CK73GB1H104K	CHIP C 0.10UF K		L203		L92-0319-05	CHIP FERRITE		
C729,730			CC73GCH1H220J	CHIP C 22PF J		L204		L41-1005-33	SMALL FIXED INDUCTOR (10U)		
C731			CK73FB0J106K	CHIP C 10UF K		L300		L92-0373-05	CHIP FERRITE	E4K2	
C732			CK73GB1H104K	CHIP C 0.10UF K		L300		L92-0373-05	CHIP FERRITE	E5R1K1	
C741			CK73GB0J475K	CHIP C 4.7UF K		L300		L92-0373-05	CHIP FERRITE		
C742-748			CK73GB1H104K	CHIP C 0.10UF K		L300		L92-0373-05	CHIP FERRITE	KM1M2	
C751			CK73GB0J475K	CHIP C 4.7UF K		L302		L92-0373-05	CHIP FERRITE	X1E1E2	
C752-758			CK73GB1H104K	CHIP C 0.10UF K		L302		L33-2369-05	CHOKE COIL		
C761,762			CK73FB0J106K	CHIP C 10UF K		L303		L92-0329-05	CHIP FERRITE		
C763,764			CK73GB1H104K	CHIP C 0.10UF K		L401		L33-2369-05	CHOKE COIL	E4	
C801-804			CK73GB1A105K	CHIP C 1.0UF K		L401		L33-2369-05	CHOKE COIL	K1K2E3	
C807			CK73GB1A105K	CHIP C 1.0UF K		L501,502		L92-0373-05	CHIP FERRITE	E3	
C808,809			CK73GB1H104K	CHIP C 0.10UF K		L601,602		L92-0319-05	CHIP FERRITE		
C811			CK73GB1A105K	CHIP C 1.0UF K		L651		L41-1005-33	SMALL FIXED INDUCTOR (10U)		
C812-825			CK73GB1H104K	CHIP C 0.10UF K		L701-706		L92-0373-05	CHIP FERRITE		

E1: DDX5022 E2: DDX5022Y E3: DNX5220BT E4: DNX5220 E5: DDX52RY (Europe) ΔIndicates safety critical components.

K: DDX512 K1: DNX5120 K2: DNX512EX (North America)

X1: DDX5032 (Australia) R1: DDX5032 (Latin America)

M1: DDX5032 M2: DDX5032M (Other Areas)

PARTS LIST

VIDEO CONTROL UNIT (X15-108x-xx)

Ref. No.	Add	New	Parts No.	Description	Destination	Ref. No.	Add	New	Parts No.	Description	Destination
L731			L92-0373-05	CHIP FERRITE		R203			RK73EB2E100J	CHIP R 10 J 1/4W	
L741			L92-0373-05	CHIP FERRITE		R204			RK73HB1J223J	CHIP R 22K J 1/16W	
L751			L92-0373-05	CHIP FERRITE		R205,206			RK73EB2E100J	CHIP R 10 J 1/4W	
L801			L92-0642-05	CHIP FERRITE		R207			RK73HB1J223J	CHIP R 22K J 1/16W	
L803			L92-0642-05	CHIP FERRITE		R208			RK73EB2E100J	CHIP R 10 J 1/4W	
L804,805			L92-0641-05	FERRITE CORE		R209			RK73GB2A222J	CHIP R 2.2K J 1/10W	
L806		*	L92-0651-05	CHIP FERRITE	E5R1	R210			RK73FB2B101J	CHIP R 100 J 1/8W	
L806		*	L92-0651-05	CHIP FERRITE	KM1M2	R211			RK73GB2A750J	CHIP R 75 J 1/10W	
L806		*	L92-0651-05	CHIP FERRITE	X1E1E2	R212			RK73EB2E101J	CHIP R 100 J 1/4W	
L806,807		*	L92-0651-05	CHIP FERRITE	E4	R213			RK73GB2A102J	CHIP R 1.0K J 1/10W	
L806,807		*	L92-0651-05	CHIP FERRITE	K1K2E3	R215			RK73HB1J100J	CHIP R 10 J 1/16W	
L808			L92-0641-05	FERRITE CORE	E4	R216,217			RK73HB1J000J	CHIP R 0.0 J 1/16W	
L808			L92-0641-05	FERRITE CORE	K1K2E3	R219			RK73GB2A000J	CHIP R 0.0 J 1/10W	
L811			L92-0373-05	CHIP FERRITE		R228			RK73GH2A471D	CHIP R 470 D 1/10W	
L851			L92-0319-05	CHIP FERRITE		R229			RK73HB1J332J	CHIP R 3.3K J 1/16W	
X701			L77-2866-05	CRYSTAL RESONATOR (27MHZ)		R235			RK73HB1J000J	CHIP R 0.0 J 1/16W	
X801			L77-2943-05	CRYSTAL RESONATOR (24.000MHZ)		R236-238			RK73GH2A102D	CHIP R 1.0K D 1/10W	
X851			L77-2921-05	CRYSTAL RESONATOR (32.768KHZ)		R239			RK73HB1J103J	CHIP R 10K J 1/16W	
F	1D		N35-2003-48	BINDING HEAD MACHINE SCREW	E3	R240			RK73HB1J000J	CHIP R 0.0 J 1/16W	
H	1D		N82-2608-48	BINDING HEAD TAPTITE SCREW		R241			RK73GH2A102D	CHIP R 1.0K D 1/10W	
CP701-715			RK74HB1J220J	CHIP-COM 22 J 1/16W		R243			RK73HB1J101J	CHIP R 100 J 1/16W	
CP721-724			RK74HB1J330J	CHIP-COM 33 J 1/16W		R244			RK73HB1J103J	CHIP R 10K J 1/16W	
CP751,752			RK74HB1J103J	CHIP-COM 10K J 1/16W		R245			RK73GH2A102D	CHIP R 1.0K D 1/10W	
CP753,754			RK74HB1J220J	CHIP-COM 22 J 1/16W		R246-249			RK73HB1J105J	CHIP R 1.0M J 1/16W	
R6			RK73GB2A823J	CHIP R 82K J 1/10W		R250			RK73HB1J103J	CHIP R 10K J 1/16W	
R7			RK73GB2A103J	CHIP R 10K J 1/10W		R251,252			RK73HB1J000J	CHIP R 0.0 J 1/16W	
R8			RK73GB2A224J	CHIP R 220K J 1/10W		R253			RK73HB1J332J	CHIP R 3.3K J 1/16W	
R9			RK73GB2A333J	CHIP R 33K J 1/10W		R254			RK73GH2A102D	CHIP R 1.0K D 1/10W	
R10			RK73GB2A224J	CHIP R 220K J 1/10W		R255,256			RK73HB1J105J	CHIP R 1.0M J 1/16W	
R100			RK73GB2A000J	CHIP R 0.0 J 1/10W		R257,258			RK73HB1J101J	CHIP R 100 J 1/16W	
R101			RK73GH2A681D	CHIP R 680 D 1/10W		R259			RK73HB1J103J	CHIP R 10K J 1/16W	
R102			RK73GH2A221D	CHIP R 220 D 1/10W		R260,261			RK73HB1J101J	CHIP R 100 J 1/16W	
R103			RK73GH2A681D	CHIP R 680 D 1/10W		R263			RK73HB1J101J	CHIP R 100 J 1/16W	
R104			RK73GH2A561D	CHIP R 560 D 1/10W		R265			RK73GH2A102D	CHIP R 1.0K D 1/10W	
R105-108			RK73GB2A683J	CHIP R 68K J 1/10W		R266			RK73EB2E750J	CHIP R 75 J 1/4W	
R109			RK73GB2A103J	CHIP R 10K J 1/10W		R267-269			RK73HB1J272J	CHIP R 2.7K J 1/16W	
R110			RK73GH2A562D	CHIP R 5.6K D 1/10W		R270			RK73GB2A750J	CHIP R 75 J 1/10W	
R111			RK73GB2A103J	CHIP R 10K J 1/10W		R271			RK73EB2E101J	CHIP R 100 J 1/4W	
R112			RK73GH2A472D	CHIP R 4.7K D 1/10W		R272			RK73HB1J100J	CHIP R 10 J 1/16W	
R113			RK73GH2A562D	CHIP R 5.6K D 1/10W		R273-276			RK73HB1J473J	CHIP R 47K J 1/16W	
R114			RK73GH2A103D	CHIP R 10K D 1/10W		R277			RK73GB2A000J	CHIP R 0.0 J 1/10W	
R119-122			RK73GH2A333D	CHIP R 33K D 1/10W		R279			RK73GB2A000J	CHIP R 0.0 J 1/10W	
R123-134			RK73GB2A000J	CHIP R 0.0 J 1/10W		R282			RK73HB1J000J	CHIP R 0.0 J 1/16W	
R135,136			RK73GB2A220J	CHIP R 22 J 1/10W		R283			RK73HB1J103J	CHIP R 10K J 1/16W	E4
R137,138			RK73GB2A000J	CHIP R 0.0 J 1/10W		R283			RK73HB1J103J	CHIP R 10K J 1/16W	K1K2E3
R139			RK73GB2A220J	CHIP R 22 J 1/10W		R284			RK73HB1J000J	CHIP R 0.0 J 1/16W	E5R1
R140,141			RK73GB2A000J	CHIP R 0.0 J 1/10W		R284			RK73HB1J000J	CHIP R 0.0 J 1/16W	KM1M2
R142			RK73GB2A220J	CHIP R 22 J 1/10W		R284			RK73HB1J000J	CHIP R 0.0 J 1/16W	X1E1E2
R143-152			RK73EB2E100J	CHIP R 10 J 1/4W		R284-289			RK73HB1J102J	CHIP R 1.0K J 1/16W	E4
R153-156			R92-5158-05	CHIP R 0.022 J 1/4W		R284-289			RK73HB1J102J	CHIP R 1.0K J 1/16W	K1K2E3
R158			R92-5159-05	CHIP R 0.033 J 1/4W		R286			RK73HB1J000J	CHIP R 0.0 J 1/16W	E5R1
R159			R92-5158-05	CHIP R 0.022 J 1/4W		R286			RK73HB1J000J	CHIP R 0.0 J 1/16W	KM1M2
R161-167			RK73GB2A000J	CHIP R 0.0 J 1/10W		R286			RK73HB1J000J	CHIP R 0.0 J 1/16W	X1E1E2
R201,202			RK73HB1J202J	CHIP R 2.0K J 1/16W		R288			RK73HB1J000J	CHIP R 0.0 J 1/16W	E5R1
						R288			RK73HB1J000J	CHIP R 0.0 J 1/16W	KM1M2

E1: DDX5022 E2: DDX5022Y E3: DNX5220BT E4: DNX5220 E5: DDX52RY (Europe) △ Indicates safety critical components.
 K: DDX512 K1: DNX5120 K2: DNX512EX (North America)
 X1: DDX5032 (Australia) R1: DDX5032 (Latin America)
 M1: DDX5032 M2: DDX5032M (Other Areas)

PARTS LIST

VIDEO CONTROL UNIT (X15-108x-xx)

Ref. No.	Ad	New	Parts No.	Description	Desti- nation	Ref. No.	Ad	New	Parts No.	Description	Desti- nation
R288			RK73HB1J000J	CHIP R 0.0 J 1/16W	X1E1E2	R512,513			RK73EB2E101J	CHIP R 100 J 1/4W	E3
R290			RK73HB1J000J	CHIP R 0.0 J 1/16W		R601			RK73GB2A000J	CHIP R 0.0 J 1/10W	
R302			RK73GB2A000J	CHIP R 0.0 J 1/10W		R603			RK73GH2A471D	CHIP R 470 D 1/10W	
R304,305			RK73HB1J101J	CHIP R 100 J 1/16W	E4K2	R604-606			RK73GH2A102D	CHIP R 1.0K D 1/10W	
R304,305			RK73HB1J101J	CHIP R 100 J 1/16W	E5R1K1	R613			RK73GH2A331D	CHIP R 330 D 1/10W	
R304,305			RK73HB1J101J	CHIP R 100 J 1/16W	KM1M2	R614	*		RK73GH2A150D	CHIP R 15 D 1/10W	
R304,305			RK73HB1J101J	CHIP R 100 J 1/16W	X1E1E2	R615-617			RK73HB1J000J	CHIP R 0.0 J 1/16W	
R309			RK73FB2B000J	CHIP R 0.0 J 1/8W		R620-625			RK73GH2A750D	CHIP R 75 D 1/10W	
R310			RK73HB1J472J	CHIP R 4.7K J 1/16W	E4K2	R626	*		RK73GH2A240D	CHIP R 24 D 1/10W	
R310			RK73HB1J472J	CHIP R 4.7K J 1/16W	E5R1K1	R627			RK73GH2A151D	CHIP R 150 D 1/10W	
R310			RK73HB1J472J	CHIP R 4.7K J 1/16W	KM1M2	R628			RK73HB1J000J	CHIP R 0.0 J 1/16W	
R310			RK73HB1J472J	CHIP R 4.7K J 1/16W	X1E1E2	R629			RK73GH2A750D	CHIP R 75 D 1/10W	
R311-314			RK73HB1J103J	CHIP R 10K J 1/16W	E4K2	R651-654			RK73HB1J220J	CHIP R 22 J 1/16W	
R311-314			RK73HB1J103J	CHIP R 10K J 1/16W	E5R1K1	R655-657			RK73HB1J000J	CHIP R 0.0 J 1/16W	
R311-314			RK73HB1J103J	CHIP R 10K J 1/16W	KM1M2	R658-660			RK73GB2A2R2J	CHIP R 2.2 J 1/10W	
R311-314			RK73HB1J103J	CHIP R 10K J 1/16W	X1E1E2	R661,662			RK73HB1J103J	CHIP R 10K J 1/16W	
R403-405			RK73EB2E102J	CHIP R 1.0K J 1/4W		R663,664			RK73HB1J102J	CHIP R 1.0K J 1/16W	
R406			RK73HB1J101J	CHIP R 100 J 1/16W		R665,666			RK73HB1J752J	CHIP R 7.5K J 1/16W	
R407			RK73GB2A000J	CHIP R 0.0 J 1/10W	E4	R667,668			RK73HB1J471J	CHIP R 470 J 1/16W	
R407			RK73GB2A000J	CHIP R 0.0 J 1/10W	K1K2E3	R669-672			RK73HB1J473J	CHIP R 47K J 1/16W	
R412-415			RK73GB2A750J	CHIP R 75 J 1/10W	E5R1	R673,674			RK73HB1J103J	CHIP R 10K J 1/16W	
R412-415			RK73GB2A750J	CHIP R 75 J 1/10W	KM1M2	R681			RK73HB1J103J	CHIP R 10K J 1/16W	
R412-415			RK73GB2A750J	CHIP R 75 J 1/10W	X1E1E2	R683-686			RK73HB1J220J	CHIP R 22 J 1/16W	
R416			RK73EB2E101J	CHIP R 100 J 1/4W	E5R1	R687			RK73HB1J103J	CHIP R 10K J 1/16W	
R416			RK73EB2E101J	CHIP R 100 J 1/4W	KM1M2	R688			RK73HB1J220J	CHIP R 22 J 1/16W	
R416			RK73EB2E101J	CHIP R 100 J 1/4W	X1E1E2	R690			RK73HB1J220J	CHIP R 22 J 1/16W	
R417			RK73HB1J100J	CHIP R 10 J 1/16W	E5R1	R691			RK73HB1J100J	CHIP R 10 J 1/16W	
R417			RK73HB1J100J	CHIP R 10 J 1/16W	KM1M2	R692			RK73GB2A151J	CHIP R 150 J 1/10W	
R417			RK73HB1J100J	CHIP R 10 J 1/16W	X1E1E2	R693			RK73EB2E750J	CHIP R 75 J 1/4W	
R418			RK73EB2E101J	CHIP R 100 J 1/4W	E5R1	R694,695			RK73GB2A000J	CHIP R 0.0 J 1/10W	
R418			RK73EB2E101J	CHIP R 100 J 1/4W	KM1M2	R696			RK73HB1J220J	CHIP R 22 J 1/16W	
R418			RK73EB2E101J	CHIP R 100 J 1/4W	X1E1E2	R697,698			RK73HB1J151J	CHIP R 150 J 1/16W	
R419			RK73HB1J100J	CHIP R 10 J 1/16W	E5R1	R699			RK73HB1J000J	CHIP R 0.0 J 1/16W	
R419			RK73HB1J100J	CHIP R 10 J 1/16W	KM1M2	R702			RK73GB2A000J	CHIP R 0.0 J 1/10W	
R419			RK73HB1J100J	CHIP R 10 J 1/16W	X1E1E2	R703			RK73HB1J102J	CHIP R 1.0K J 1/16W	
R420			RK73EB2E101J	CHIP R 100 J 1/4W	E5R1	R704			RK73HB1J101J	CHIP R 100 J 1/16W	
R420			RK73EB2E101J	CHIP R 100 J 1/4W	KM1M2	R706-708			RK73HB1J000J	CHIP R 0.0 J 1/16W	
R420			RK73EB2E101J	CHIP R 100 J 1/4W	X1E1E2	R709-713			RK73HB1J220J	CHIP R 22 J 1/16W	
R421			RK73HB1J100J	CHIP R 10 J 1/16W	E5R1	R715-730			RK73HB1J000J	CHIP R 0.0 J 1/16W	
R421			RK73HB1J100J	CHIP R 10 J 1/16W	KM1M2	R732-738			RK73HB1J220J	CHIP R 22 J 1/16W	
R421			RK73HB1J100J	CHIP R 10 J 1/16W	X1E1E2	R739,740			RK73HB1J101J	CHIP R 100 J 1/16W	
R422			RK73EB2E101J	CHIP R 100 J 1/4W	E5R1	R742-746			RK73HB1J101J	CHIP R 100 J 1/16W	
R422			RK73EB2E101J	CHIP R 100 J 1/4W	KM1M2	R748-753			RK73HB1J220J	CHIP R 22 J 1/16W	
R422			RK73EB2E101J	CHIP R 100 J 1/4W	X1E1E2	R754-756			RK73HB1J101J	CHIP R 100 J 1/16W	
R423			RK73HB1J100J	CHIP R 10 J 1/16W	E5R1	R758			RK73HB1J105J	CHIP R 1.0M J 1/16W	
R423			RK73HB1J100J	CHIP R 10 J 1/16W	KM1M2	R759			RK73GB2A102J	CHIP R 1.0K J 1/10W	
R423			RK73HB1J100J	CHIP R 10 J 1/16W	X1E1E2	R760-762			RK73HB1J000J	CHIP R 0.0 J 1/16W	
R424			RK73EB2E100J	CHIP R 10 J 1/4W		R763,764			RK73HB1J220J	CHIP R 22 J 1/16W	
R425			RK73EB2E4R7J	CHIP R 4.7 J 1/4W		R765			RK73HB1J000J	CHIP R 0.0 J 1/16W	
R428			RK73EB2E100J	CHIP R 10 J 1/4W		R767			RK73HB1J000J	CHIP R 0.0 J 1/16W	
R501,502			RK73HB1J104J	CHIP R 100K J 1/16W	E3	R769			RK73GH2A153D	CHIP R 15K D 1/10W	
R503,504			RK73HB1J223J	CHIP R 22K J 1/16W	E3	R770			RK73GH2A123D	CHIP R 12K D 1/10W	
R505,506			RK73HB1J104J	CHIP R 100K J 1/16W	E3	R771			RK73HB1J103J	CHIP R 10K J 1/16W	E5R1E3
R507,508			RK73HB1J223J	CHIP R 22K J 1/16W	E3	R771			RK73HB1J103J	CHIP R 10K J 1/16W	KM1M2
R509			RK73HB1J473J	CHIP R 47K J 1/16W	E3	R771			RK73HB1J103J	CHIP R 10K J 1/16W	X1E1E2

E1: DDX5022 E2: DDX5022Y E3: DNX5220BT E4: DNX5220 E5: DDX52RY (Europe) Δ Indicates safety critical components.

K: DDX512 K1: DNX5120 K2: DNX512EX (North America)

X1: DDX5032 (Australia) R1: DDX5032 (Latin America)

M1: DDX5032 M2: DDX5032M (Other Areas)

PARTS LIST

VIDEO CONTROL UNIT (X15-108x-xx)

Ref. No.	Add	New	Parts No.	Description	Destination	Ref. No.	Add	New	Parts No.	Description	Destination
R772,773			RK73HB1J103J	CHIP R 10K J 1/16W	K1E4K2	D100-103			1SS357-F	DIODE	
R773			RK73HB1J103J	CHIP R 10K J 1/16W	E5R1E3	D201			DAP202U	DIODE	
R773			RK73HB1J103J	CHIP R 10K J 1/16W	KM1M2	D202			UDZS4.7B	ZENER DIODE	
R773			RK73HB1J103J	CHIP R 10K J 1/16W	X1E1E2	D203			CVL10C270M300	VARIATOR	
R776			RK73HB1J103J	CHIP R 10K J 1/16W		D204-206			CVS10A120M	VARIATOR	
R777			RK73HB1J102J	CHIP R 1.0K J 1/16W		D207			CVL10C270M300	VARIATOR	
R780			RK73FB2B000J	CHIP R 0.0 J 1/8W		D212,213			CVL10C270M300	VARIATOR	
R781			RK73GB2A000J	CHIP R 0.0 J 1/10W		D301			1SS355	DIODE	E4K2
R805,806			RK73EB2E4R7J	CHIP R 4.7 J 1/4W		D301			1SS355	DIODE	E5R1K1
R808,809			RK73EB2E4R7J	CHIP R 4.7 J 1/4W	E4	D301			1SS355	DIODE	KM1M2
R808,809			RK73EB2E4R7J	CHIP R 4.7 J 1/4W	K1K2E3	D301			1SS355	DIODE	X1E1E2
R810,811			RK73GB2A000J	CHIP R 0.0 J 1/10W		D400-403			UDZS6.2B	ZENER DIODE	E5R1
R812			RK73HB1J103J	CHIP R 10K J 1/16W		D400-403			UDZS6.2B	ZENER DIODE	KM1M2
R814			RK73HB1J103J	CHIP R 10K J 1/16W		D400-403			UDZS6.2B	ZENER DIODE	X1E1E2
R815			RK73GH2A622D	CHIP R 6.2K D 1/10W		D404			STZ6.8N	ZENER DIODE	E5R1
R820			RK73HB1J000J	CHIP R 0.0 J 1/16W		D404			STZ6.8N	ZENER DIODE	KM1M2
R821			RK73GH2A622D	CHIP R 6.2K D 1/10W		D404			STZ6.8N	ZENER DIODE	X1E1E2
R823			RK73HB1J103J	CHIP R 10K J 1/16W		D405-408			CVL10C270M300	VARIATOR	E5R1
R825			RK73HB1J102J	CHIP R 1.0K J 1/16W		D405-408			CVL10C270M300	VARIATOR	KM1M2
R826			RK73HB1J103J	CHIP R 10K J 1/16W		D405-408			CVL10C270M300	VARIATOR	X1E1E2
R831			RK73GB2A000J	CHIP R 0.0 J 1/10W		D501			STZ6.8N	ZENER DIODE	E3
R832			RK73GB2A515J	CHIP R 5.1M J 1/10W		D651			DAP202U	DIODE	
R833-836			RK73HB1J103J	CHIP R 10K J 1/16W		D681			CVL10C270M300	VARIATOR	
R837			RK73HB1J000J	CHIP R 0.0 J 1/16W		D682			DA204U	DIODE	
R838			RK73HB1J220J	CHIP R 22 J 1/16W		D701			DAP202U	DIODE	
R840,841			RK73HB1J103J	CHIP R 10K J 1/16W		D801,802			AVRL1613R3FTA	VARIATOR	
R843			RK73HB1J000J	CHIP R 0.0 J 1/16W		IC100,101			LTC3728LEGN	ANALOGUE IC	
R844			RK73HB1J103J	CHIP R 10K J 1/16W		IC201			NJM2794RB2ZB	ANALOGUE IC	
R845			RK73GH2A104D	CHIP R 100K D 1/10W		IC202			NJM2505AF-ZB	ANALOGUE IC	
R846			RK73HB1J102J	CHIP R 1.0K J 1/16W		IC203			XC6201P502PR	ANALOGUE IC	
R847			RK73HB1J103J	CHIP R 10K J 1/16W		IC205		*	AN15885A-VF	ANALOGUE IC	
R848			RK73HB1J331J	CHIP R 330 J 1/16W		IC206			MM1508XNRE-E	ANALOGUE IC	
R851			RK73HB1J473J	CHIP R 47K J 1/16W		IC207		*	NJM2286V-ZB	ANALOGUE IC	
R853-856			RK73HB1J103J	CHIP R 10K J 1/16W		IC301			74AHCT08PW	MOS-IC	E4K2
R857-860			RK73HB1J152J	CHIP R 1.5K J 1/16W		IC301			74AHCT08PW	MOS-IC	E5R1K1
R861			RK73HB1J472J	CHIP R 4.7K J 1/16W	E4K2	IC301			74AHCT08PW	MOS-IC	KM1M2
R861			RK73HB1J472J	CHIP R 4.7K J 1/16W	E5R1K1	IC301			74AHCT08PW	MOS-IC	X1E1E2
R861			RK73HB1J472J	CHIP R 4.7K J 1/16W	KM1M2	IC501			NJM4565V-ZB	ANALOGUE IC	E3
R861			RK73HB1J472J	CHIP R 4.7K J 1/16W	X1E1E2	IC502			TC7WH126FU-F	MOS-IC	E3
R861,862			RK73HB1J472J	CHIP R 4.7K J 1/16W	E3	IC601			MM1671XNRE	ANALOGUE IC	
R863-880			RK73HB1J103J	CHIP R 10K J 1/16W		IC602			NJM2573V-ZB	ANALOGUE IC	
R881			RK73HB1J202J	CHIP R 2.0K J 1/16W		IC651			PCM1754DB	MOS-IC	
R883			RK73HB1J103J	CHIP R 10K J 1/16W		IC652			NJM4565V-ZB	ANALOGUE IC	
R884,885			RK73HB1J000J	CHIP R 0.0 J 1/16W		IC653			XC6201P502PR	ANALOGUE IC	
R886			RK73HB1J473J	CHIP R 47K J 1/16W		IC654			NJM4565V-ZB	ANALOGUE IC	
R887			RK73HB1J103J	CHIP R 10K J 1/16W		IC691		*	74AHC1G04GW	MOS-IC	
R900			RK73HB1J220J	CHIP R 22 J 1/16W		IC692			74AHC1G08GW	MOS-IC	
R905,906			RK73HB1J220J	CHIP R 22 J 1/16W		IC701		*	MS8312A-CMG	MICROPROCESSOR IC	
R907			RK73HB1J103J	CHIP R 10K J 1/16W		IC702			S29GL64A914Z4	ROM IC	
R913,914			RK73HB1J105J	CHIP R 1.0M J 1/16W		IC703,704		*	A2V28S40CTPG6	DRAM IC	
R915			RK73HB1J000J	CHIP R 0.0 J 1/16W		IC705			SI-3010KD	ANALOGUE IC	
R919			RK73HB1J000J	CHIP R 0.0 J 1/16W		IC801		*	S1R72C05F15	MOS-IC	
L503	*		T90-0587-05	CHIP ANTENNA	E3	IC804		*	MIC2005-08YM6	MOS-IC	
						IC805			XC6219B332PR	ANALOGUE IC	
						IC806			XC6219B182PR	ANALOGUE IC	

E1: DDX5022 E2: DDX5022Y E3: DNX5220BT E4: DNX5220 E5: DDX52RY (Europe) Δ Indicates safety critical components.
 K: DDX512 K1: DNX5120 K2: DNX512EX (North America)
 X1: DDX5032 (Australia) R1: DDX5032 (Latin America)
 M1: DDX5032 M2: DDX5032M (Other Areas)

PARTS LIST

VIDEO CONTROL UNIT (X15-108x-xx)

Ref. No.	Add	New	Parts No.	Description	Destination
IC851 IC853 Q1 Q2,3 Q4		*	341S2094 74AHC573PW DTC143ZUA 2SA1576A TPC8110-F	MICROPROCESSOR IC MOS-IC DIGITAL TRANSISTOR TRANSISTOR FET	
Q100-103 Q104-107 Q202-204 Q205-207 Q301,302			DTC124XUA HAT2218R-E 2SA1576A 2SC4081 2SC4081	DIGITAL TRANSISTOR DUAL FET TRANSISTOR TRANSISTOR TRANSISTOR	E4K2
Q301,302 Q301,302 Q301,302 Q303 Q303			2SC4081 2SC4081 2SC4081 UMG2N UMG2N	TRANSISTOR TRANSISTOR TRANSISTOR TRANSISTOR TRANSISTOR	E5R1K1 KM1M2 X1E1E2 E4K2 E5R1K1
Q303 Q303 Q651,652 Q653 Q654			UMG2N UMG2N DTC643TU DTA114EUA DTC143ZUA	TRANSISTOR TRANSISTOR DIGITAL TRANSISTOR DIGITAL TRANSISTOR DIGITAL TRANSISTOR	KM1M2 X1E1E2
Q681			2SA1576A	TRANSISTOR	
A501		*	W02-5292-05	ELECTRIC CIRCUIT MODULE (BLUET)	E3
ELECTRIC UNIT (X34-575x-xx)					
C1 C2 C4 C6 C8			CK73FB1E474K CK73GB1H222K C90-6851-05 CK73GB1H222K CK73GB1H103K	CHIP C 0.47UF K CHIP C 2200PF K ELECTRO 220UF 25WV CHIP C 2200PF K CHIP C 0.010UF K	
C9,10 C14 C15 C16 C17			CK73GB1H222K CK73FB1A335K CK73GB1A105K CK73GB1H103K CK73GB1A105K	CHIP C 2200PF K CHIP C 3.3UF K CHIP C 1.0UF K CHIP C 0.010UF K CHIP C 1.0UF K	
C18,19 C20 C20 C21 C24,25			CK73GB1H222K CK73GB1H103K CK73GB1H103K CK73FB0J106K CK73GB1H222K	CHIP C 2200PF K CHIP C 0.010UF K CHIP C 0.010UF K CHIP C 10UF K CHIP C 2200PF K	E4 K1K2E3
C26 C29 C30 C31 C32			CK73GB1H104K CD04AS0J101M CK73FB1C105K CK73GB1A105K CK73GB1H103K	CHIP C 0.10UF K ELECTRO 100UF 6.3WV CHIP C 1.0UF K CHIP C 1.0UF K CHIP C 0.010UF K	
C33 C34 C35 C36 C36			CK73GB1A105K CD04AR1C221M CK73GB1A105K CC73GCH1H101J CC73GCH1H101J	CHIP C 1.0UF K ELECTRO 220UF 16WV CHIP C 1.0UF K CHIP C 100PF J CHIP C 100PF J	E1E2E5 E3E4
C37 C38 C38 C41 C43-45			CK73GB1H103K C93-1470-05 C93-1470-05 CK73GB1A105K CK73GB1H103K	CHIP C 0.010UF K CHIP C 15000PF F CHIP C 15000PF F CHIP C 1.0UF K CHIP C 0.010UF K	E1E2E5 E3E4

Ref. No.	Add	New	Parts No.	Description	Destination
C46 C47 C100 C101 C102			CK73FB1E474K C90-5612-05 CK73GB1H104K CK73GB1H103K CK73GB1H104K	CHIP C 0.47UF K ELECTRO 3900UF 16WV CHIP C 0.10UF K CHIP C 0.010UF K CHIP C 0.10UF K	
C104 C105,106 C105,106 C106 C106			CK73GB1H104K CK73GB1H103K CK73GB1H103K CK73GB1H103K CK73GB1H103K	CHIP C 0.10UF K CHIP C 0.010UF K CHIP C 0.010UF K CHIP C 0.010UF K CHIP C 0.010UF K	E4 K1K2E3 E5R1 KM1M2
C106 C108 C109 C110 C111			CK73GB1H103K CC73GCH1H220J CC73GCH1H180J CK73FB0J106K CK73GB1H473K	CHIP C 0.010UF K CHIP C 22PF J CHIP C 18PF J CHIP C 10UF K CHIP C 0.047UF K	X1E1E2
C112 C113 C114 C115,116 C117			CK73GB1H102K CK73GB1H103K CD04AS0J101M CK73GB1H103K CK73GB1H104K	CHIP C 1000PF K CHIP C 0.010UF K ELECTRO 100UF 6.3WV CHIP C 0.010UF K CHIP C 0.10UF K	
C119 C120 C121 C122,123 C124			CK73GB1H104K CK73GB1H102K CK73GB1H104K CK73GB1H103K CK73GB1H104K	CHIP C 0.10UF K CHIP C 1000PF K CHIP C 0.10UF K CHIP C 0.010UF K CHIP C 0.10UF K	
C125 C126-129 C132,133 C302 C303,304			CK73GB1H102K CK73GB1H104K CC73GCH1H070D CD04AS1C470M CK73GB1A474K	CHIP C 1000PF K CHIP C 0.10UF K CHIP C 7.0PF D ELECTRO 47UF 16WV CHIP C 0.47UF K	
C305,306 C307,308 C316 C318 C321			CE32BJ1H2R2M CK73GB1A474K CK73GB1A105K CE32BJ1C100M CK73GB1H103K	CHIP EL 2.2UF 50WV CHIP C 0.47UF K CHIP C 1.0UF K CHIP EL 10UF 16WV CHIP C 0.010UF K	
C322 C323,324 C325 C326 C327			CE32BJ1C100M CK73GB1H103K CK73FB1A335K CK73GB1A105K CK73FB1A335K	CHIP EL 10UF 16WV CHIP C 0.010UF K CHIP C 3.3UF K CHIP C 1.0UF K CHIP C 3.3UF K	
C328,329 C330-332 C334 C335 C336			CK73GB1A105K CE32BJ1H010M CK73FB1E474K CE32BJ0J470M CK73FB1E474K	CHIP C 1.0UF K CHIP EL 1.0UF 50WV CHIP C 0.47UF K CHIP EL 47UF 6.3WV CHIP C 0.47UF K	
C400 C400 C400 C401 C401			CD04AS1C220M CD04AS1C220M CD04AS1C220M CK73GB1H103K CK73GB1H103K	ELECTRO 22UF 16WV ELECTRO 22UF 16WV ELECTRO 22UF 16WV CHIP C 0.010UF K CHIP C 0.010UF K	E1E2M1 E3E4 M2X1E5 E1E2M1 E3E4
C401 C402-405 C402-405 C402-405 C417-420			CK73GB1H103K CK73GB1A474K CK73GB1A474K CK73GB1A474K CK73GB1A474K	CHIP C 0.010UF K CHIP C 0.47UF K CHIP C 0.47UF K CHIP C 0.47UF K CHIP C 0.47UF K	M2X1E5 E1E2M1 E3E4 M2X1E5 E4K2

PARTS LIST

ELECTRIC UNIT (X34-575x-xx)

Ref. No.	Add	New	Parts No.	Description	Destination	Ref. No.	Add	New	Parts No.	Description	Destination
C417-420			CK73GB1A474K	CHIP C 0.47UF K	E5R1K1	C620,621			C90-6780-05	ELECTRO 1UF 16WV	
C417-420			CK73GB1A474K	CHIP C 0.47UF K	KM1M2	C623,624			C90-6779-05	ELECTRO 0.47UF 16WV	
C417-420			CK73GB1A474K	CHIP C 0.47UF K	X1E1E2	C626			CK73GB1A105K	CHIP C 1.0UF K	
C424			CK73GB1H104K	CHIP C 0.10UF K	E4K2	C627			CC73GCH1H050C	CHIP C 5.0PF C	
C424			CK73GB1H104K	CHIP C 0.10UF K	E5R1K1	C700			CE32BJ1C100M	CHIP EL 10UF 16WV	
C424			CK73GB1H104K	CHIP C 0.10UF K	KM1M2	C701,702			CK73GB1H102K	CHIP C 1000PF K	
C424			CK73GB1H104K	CHIP C 0.10UF K	X1E1E2	C703,704			CE32BJ1C100M	CHIP EL 10UF 16WV	
C425			CD04AS1C220M	ELECTRO 22UF 16WV	E4K2	C705,706			CK73GB1H102K	CHIP C 1000PF K	
C425			CD04AS1C220M	ELECTRO 22UF 16WV	E5R1K1	C707			CE32BJ1C100M	CHIP EL 10UF 16WV	
C425			CD04AS1C220M	ELECTRO 22UF 16WV	KM1M2	C711			CE32BJ1C100M	CHIP EL 10UF 16WV	
C425			CD04AS1C220M	ELECTRO 22UF 16WV	X1E1E2	C712,713			CK73GB1H102K	CHIP C 1000PF K	
C426,427			CK73GB1H103K	CHIP C 0.010UF K	E4K2	C714			CE32BJ1C100M	CHIP EL 10UF 16WV	
C426,427			CK73GB1H103K	CHIP C 0.010UF K	E5R1K1	C715			CK73GB1H104K	CHIP C 0.10UF K	
C426,427			CK73GB1H103K	CHIP C 0.010UF K	KM1M2	C800,801			CK73GB1H103K	CHIP C 0.010UF K	
C426,427			CK73GB1H103K	CHIP C 0.010UF K	X1E1E2	C807,808			CK73GB1H222K	CHIP C 2200PF K	
C430			CK73GB1H103K	CHIP C 0.010UF K	E1E2M1	C809			CK73FB1C105K	CHIP C 1.0UF K	
C430			CK73GB1H103K	CHIP C 0.010UF K	E3E4	C810			CD04AS1C101M	ELECTRO 100UF 16WV	
C430			CK73GB1H103K	CHIP C 0.010UF K	M2X1E5	C811			CK73GB1H103K	CHIP C 0.010UF K	
C500			CK73GB1A105K	CHIP C 1.0UF K		CN1	*		E41-2685-05	PIN ASSY	
C501			CC73GCH1H100D	CHIP C 10PF D	E2M1M2	CN100	*		E41-2248-05	PIN ASSY	
C501			CC73GCH1H100D	CHIP C 10PF D	E3E4	CN800	*		E41-2979-05	FLAT CABLE CONNECTOR	
C501			CC73GCH1H100D	CHIP C 10PF D	E5K1K2	CN801	*		E41-2980-05	FLAT CABLE CONNECTOR	
C502			CD04AS1C101M	ELECTRO 100UF 16WV	KR1E1	J1			E58-1043-05	RECTANGULAR RECEPTACLE (POWER)	
C512-514			CK73GB1H103K	CHIP C 0.010UF K		J400			E58-1034-05	RECTANGULAR RECEPTACLE (TV-TU)	E1E2M1
C515			CK73GB1H102K	CHIP C 1000PF K	E3E4	J400			E58-1034-05	RECTANGULAR RECEPTACLE (TV-TU)	E3E4
C520			CC73GCH1H100D	CHIP C 10PF D	E2M1M2	J400			E58-1034-05	RECTANGULAR RECEPTACLE (TV-TU)	M2X1E5
C520			CC73GCH1H100D	CHIP C 10PF D	E3E4	J401	*		E58-1097-05	RECTANGULAR RECEPTACLE (EXT-IF)	E4K2
C520			CC73GCH1H100D	CHIP C 10PF D	E5K1K2	J401	*		E58-1097-05	RECTANGULAR RECEPTACLE (EXT-IF)	E5R1K1
C520			CC73GCH1H100D	CHIP C 10PF D	KR1E1	J401	*		E58-1097-05	RECTANGULAR RECEPTACLE (EXT-IF)	KM1M2
C521			CK73GB1H103K	CHIP C 0.010UF K	E2M1M2	J401	*		E58-1097-05	RECTANGULAR RECEPTACLE (EXT-IF)	X1E1E2
C521			CK73GB1H103K	CHIP C 0.010UF K	E3E4	J700			E63-0953-05	RCA PIN JACK (L/R)	
C521			CK73GB1H103K	CHIP C 0.010UF K	E5K1K2	W501	*		E30-6809-05	CORD WITH PLUG (ANT)	E5R1K1
C521			CK73GB1H103K	CHIP C 0.010UF K	KR1E1	W501	*		E30-6809-05	CORD WITH PLUG (ANT)	KM1M2
C522			CD04AS1V100M	ELECTRO 10UF 35WV	E2M1M2	W501	*		E30-6809-05	CORD WITH PLUG (ANT)	K2
C522			CD04AS1V100M	ELECTRO 10UF 35WV	E3E4	W501	*		E30-6809-05	CORD WITH PLUG (ANT)	X1E1E2
C522			CD04AS1V100M	ELECTRO 10UF 35WV	E5K1K2	257		*	F12-0962-04	SHIELDING TUBE (IN F/E CASE)	
C523			CC73GCH1H331J	CHIP C 330PF J	KR1E1	F1			F53-0297-05	FUSE (UL,CSA) 1.6A	
C523			CC73GCH1H331J	CHIP C 330PF J	E2M1M2	F2			F53-0306-05	FUSE (UL,CSA) 5A	E4K2
C523			CC73GCH1H331J	CHIP C 330PF J	E3E4	F2			F53-0306-05	FUSE (UL,CSA) 5A	E5R1K1
C523			CC73GCH1H331J	CHIP C 330PF J	E5K1K2	F2			F53-0306-05	FUSE (UL,CSA) 5A	KM1M2
C523			CC73GCH1H331J	CHIP C 330PF J	KR1E1	F2			F53-0306-05	FUSE (UL,CSA) 5A	X1E1E2
C524			CD04AS1V100M	ELECTRO 10UF 35WV	E2M1M2	L1			L33-2319-05	CHOKE COIL ASSY	
C524			CD04AS1V100M	ELECTRO 10UF 35WV	E3E4	L100			L92-0319-05	CHIP FERRITE	
C524			CD04AS1V100M	ELECTRO 10UF 35WV	E5K1K2	L101			L41-4795-33	SMALL FIXED INDUCTOR (4.7U)	
C524			CD04AS1V100M	ELECTRO 10UF 35WV	KR1E1	L501-504			L41-4795-33	SMALL FIXED INDUCTOR (4.7U)	
C526,527			CK73GB1H103K	CHIP C 0.010UF K	E2M1M2	L508			L41-4795-33	SMALL FIXED INDUCTOR (4.7U)	E2M1M2
C526,527			CK73GB1H103K	CHIP C 0.010UF K	E3E4	L508			L41-4795-33	SMALL FIXED INDUCTOR (4.7U)	E3E4
C526,527			CK73GB1H103K	CHIP C 0.010UF K	E5K1K2	L508			L41-4795-33	SMALL FIXED INDUCTOR (4.7U)	E5K1K2
C526,527			CK73GB1H103K	CHIP C 0.010UF K	KR1E1	L508			L41-4795-33	SMALL FIXED INDUCTOR (4.7U)	KR1E1
C527			CK73GB1H103K	CHIP C 0.010UF K	X1	L509			L92-0329-05	CHIP FERRITE	E3E4
C600			C90-6779-05	ELECTRO 0.47UF 16WV		X100	*		L77-2974-05	CRYSTAL RESONATOR (11.0592MHZ)	
C602			C90-6779-05	ELECTRO 0.47UF 16WV		X101			L77-2921-05	CRYSTAL RESONATOR (32.768KHZ)	
C616			CK73GB1A105K	CHIP C 1.0UF K		X500			L77-2002-05	CRYSTAL RESONATOR	E2M1M2
C619			CD04BM1E330M	ELECTRO 33UF 25WV							

E1: DDX5022 E2: DDX5022Y E3: DNX5220BT E4: DNX5220 E5: DDX52RY (Europe)
 K: DDX512 K1: DNX5120 K2: DNX512EX (North America)
 X1: DDX5032 (Australia) R1: DDX5032 (Latin America)
 M1: DDX5032 M2: DDX5032M (Other Areas)

△ Indicates safety critical components.

PARTS LIST

ELECTRIC UNIT (X34-575x-xx)

Ref. No.	Ad	New	Parts No.	Description	Desti- nation	Ref. No.	Ad	New	Parts No.	Description	Desti- nation
X500			L77-2002-05	CRYSTAL RESONATOR	E3E4	R44			RK73GB2A683J	CHIP R 68K J 1/10W	
X500			L77-2002-05	CRYSTAL RESONATOR	E5K1K2	R46			RK73EB2E103J	CHIP R 10K J 1/4W	
X500			L77-2002-05	CRYSTAL RESONATOR	KR1E1	R48			RK73GB2A473J	CHIP R 47K J 1/10W	
B	2D		N35-2604-43	BINDING HEAD MACHINE SCREW	E4K2	R49,50			RK73GB2A104J	CHIP R 100K J 1/10W	
B	2D		N35-2604-43	BINDING HEAD MACHINE SCREW	E5R1K1	R51			RK73GB2A473J	CHIP R 47K J 1/10W	
B	2D		N35-2604-43	BINDING HEAD MACHINE SCREW	KM1M2	R52			RK73GB2A472J	CHIP R 4.7K J 1/10W	
B	2D		N35-2604-43	BINDING HEAD MACHINE SCREW	X1E1E2	R53			RK73GB2A473J	CHIP R 47K J 1/10W	
K	3D	*	N09-6727-05	TAPTITE SCREW		R54			RK73GB2A153J	CHIP R 15K J 1/10W	
L	2D		N82-3008-48	BINDING HEAD TAPTITE SCREW		R55			RK73GB2A561J	CHIP R 560 J 1/10W	
R2			RK73FB2B221J	CHIP R 220 J 1/8W		R56			RK73EB2E622J	CHIP R 6.2K J 1/4W	
R3			RK73GB2A103J	CHIP R 10K J 1/10W		R57			RK73GB2A912J	CHIP R 9.1K J 1/10W	
R5			RK73FB2B223J	CHIP R 22K J 1/8W		R58			RK73GB2A105J	CHIP R 1.0M J 1/10W	
R6			RK73EB2E272J	CHIP R 2.7K J 1/4W		R59			RK73EB2E622J	CHIP R 6.2K J 1/4W	
R7			RK73GB2A101J	CHIP R 100 J 1/10W		R100			RK73GB2A101J	CHIP R 100 J 1/10W	
R8			RK73GB2A102J	CHIP R 1.0K J 1/10W		R101			RK73GB2A104J	CHIP R 100K J 1/10W	E4
R9			RK73GB2A101J	CHIP R 100 J 1/10W		R101			RK73GB2A104J	CHIP R 100K J 1/10W	K1K2E3
R10			RK73GB2A473J	CHIP R 47K J 1/10W		R102			RK73GB2A473J	CHIP R 47K J 1/10W	
R11			RK73GB2A100J	CHIP R 10 J 1/10W	E4	R106			RK73GB2A473J	CHIP R 47K J 1/10W	
R11			RK73GB2A100J	CHIP R 10 J 1/10W	K1K2E3	R107			RK73GB2A101J	CHIP R 100 J 1/10W	E4
R12			RK73FB2B472J	CHIP R 4.7K J 1/8W		R107			RK73GB2A101J	CHIP R 100 J 1/10W	K1K2E3
R13			RK73GB2A223J	CHIP R 22K J 1/10W		R109			RK73GB2A473J	CHIP R 47K J 1/10W	E1E2M1
R14			RK73PB2H102J	CHIP R 1.0K J 1/2W		R109			RK73GB2A473J	CHIP R 47K J 1/10W	E3E4
R15			RK73GB2A473J	CHIP R 47K J 1/10W		R109			RK73GB2A473J	CHIP R 47K J 1/10W	M2X1E5
R16			RK73PB2H102J	CHIP R 1.0K J 1/2W		R110			RK73GB2A104J	CHIP R 100K J 1/10W	E4
R17			RK73GB2A103J	CHIP R 10K J 1/10W		R110			RK73GB2A104J	CHIP R 100K J 1/10W	K1K2E3
R18			RK73EB2E103J	CHIP R 10K J 1/4W		R112			RK73GB2A472J	CHIP R 4.7K J 1/10W	
R19			RK73GB2A000J	CHIP R 0.0 J 1/10W	E1E2E5	R113			RK73GB2A473J	CHIP R 47K J 1/10W	
R19			RK73GB2A000J	CHIP R 0.0 J 1/10W	E3E4	R114			RK73GB2A101J	CHIP R 100 J 1/10W	E1E2M1
R20			RK73GB2A100J	CHIP R 10 J 1/10W		R114			RK73GB2A101J	CHIP R 100 J 1/10W	E3E4
R21			RK73GB2A223J	CHIP R 22K J 1/10W		R114			RK73GB2A101J	CHIP R 100 J 1/10W	M2X1E5
R22			RK73EB2E272J	CHIP R 2.7K J 1/4W		R115			RK73GB2A100J	CHIP R 10 J 1/10W	E4
R23			RK73GH2A243D	CHIP R 24K D 1/10W		R115			RK73GB2A100J	CHIP R 10 J 1/10W	K1K2E3
R24			RK73GH2A432D	CHIP R 4.3K D 1/10W		R118			RK73GB2A000J	CHIP R 0.0 J 1/10W	
R25			RK73FB2B222J	CHIP R 2.2K J 1/8W		R119			RK73GH2A333D	CHIP R 33K D 1/10W	
R26			RK73GB2A102J	CHIP R 1.0K J 1/10W		R120			RK73GH2A222D	CHIP R 2.2K D 1/10W	
R27			RK73GB2A103J	CHIP R 10K J 1/10W	KR1M1	R121			RK73GH2A153D	CHIP R 15K D 1/10W	
R27			RK73GB2A103J	CHIP R 10K J 1/10W	K2	R122			RK73GB2A105J	CHIP R 1.0M J 1/10W	
R27			RK73GB2A103J	CHIP R 10K J 1/10W	M2X1K1	R125			RK73GB2A473J	CHIP R 47K J 1/10W	E1E2M1
R28			RK73GB2A222J	CHIP R 2.2K J 1/10W	KR1M1	R125			RK73GB2A473J	CHIP R 47K J 1/10W	E3E4
R28			RK73GB2A222J	CHIP R 2.2K J 1/10W	K2	R125			RK73GB2A473J	CHIP R 47K J 1/10W	M2X1E5
R28			RK73GB2A222J	CHIP R 2.2K J 1/10W	M2X1K1	R126,127			RK73GB2A103J	CHIP R 10K J 1/10W	
R29			RK73GB2A105J	CHIP R 1.0M J 1/10W		R128			RK73GB2A473J	CHIP R 47K J 1/10W	KR1K1
R30			RK73EB2E102J	CHIP R 1.0K J 1/4W		R128			RK73GB2A473J	CHIP R 47K J 1/10W	K2
R31			RK73FB2B472J	CHIP R 4.7K J 1/8W		R128-131			RK73GB2A473J	CHIP R 47K J 1/10W	E1E2M1
R32			RK73GB2A104J	CHIP R 100K J 1/10W		R128-131			RK73GB2A473J	CHIP R 47K J 1/10W	E3E4
R33,34			RK73PB2H102J	CHIP R 1.0K J 1/2W	KR1M1	R128-131			RK73GB2A473J	CHIP R 47K J 1/10W	M2X1E5
R33,34			RK73PB2H102J	CHIP R 1.0K J 1/2W	K2	R130,131			RK73GB2A473J	CHIP R 47K J 1/10W	KR1K1
R33,34			RK73PB2H102J	CHIP R 1.0K J 1/2W	M2X1K1	R130,131			RK73GB2A473J	CHIP R 47K J 1/10W	K2
R35			RK73GB2A103J	CHIP R 10K J 1/10W	KR1M1	R133,134			RK73GB2A473J	CHIP R 47K J 1/10W	
R35			RK73GB2A103J	CHIP R 10K J 1/10W	K2	R135			RK73GB2A101J	CHIP R 100 J 1/10W	
R35			RK73GB2A103J	CHIP R 10K J 1/10W	M2X1K1	R136			RK73GB2A222J	CHIP R 2.2K J 1/10W	
R36			RK73GB2A153J	CHIP R 15K J 1/10W		R137-142			RK73GB2A101J	CHIP R 100 J 1/10W	E1E2M1
R37			RK73GB2A103J	CHIP R 10K J 1/10W		R137-142			RK73GB2A101J	CHIP R 100 J 1/10W	E3E4
R38			RK73GB2A822J	CHIP R 8.2K J 1/10W		R137-142			RK73GB2A101J	CHIP R 100 J 1/10W	M2X1E5
						R139-141			RK73GB2A101J	CHIP R 100 J 1/10W	KR1K1

E1: DDX5022 E2: DDX5022Y E3: DNX5220BT E4: DNX5220 E5: DDX52RY (Europe) △Indicates safety critical components.
 K: DDX512 K1: DNX5120 K2: DNX512EX (North America)
 X1: DDX5032 (Australia) R1: DDX5032 (Latin America)
 M1: DDX5032 M2: DDX5032M (Other Areas)

PARTS LIST

ELECTRIC UNIT (X34-575x-xx)

Ref. No.	Add	New	Parts No.	Description	Destination	Ref. No.	Add	New	Parts No.	Description	Destination
R139-141			RK73GB2A101J	CHIP R 100 J 1/10W	K2	R188			RK73GB2A222J	CHIP R 2.2K J 1/10W	E3E4
R143			RK73GB2A102J	CHIP R 1.0K J 1/10W		R188			RK73GB2A222J	CHIP R 2.2K J 1/10W	E5K1K2
R144			RK73GB2A472J	CHIP R 4.7K J 1/10W		R188			RK73GB2A222J	CHIP R 2.2K J 1/10W	KR1E1
R145			RK73GB2A473J	CHIP R 47K J 1/10W		R189			RK73GB2A103J	CHIP R 10K J 1/10W	X1
R146,147			RK73GB2A101J	CHIP R 100 J 1/10W		R190			RK73GB2A222J	CHIP R 2.2K J 1/10W	
R148			RK73GB2A102J	CHIP R 1.0K J 1/10W		R191,192			RK73GB2A102J	CHIP R 1.0K J 1/10W	
R149			RK73GB2A101J	CHIP R 100 J 1/10W		R193			RK73GB2A101J	CHIP R 100 J 1/10W	
R150			RK73GB2A302J	CHIP R 3.0K J 1/10W		R194			RK73GB2A102J	CHIP R 1.0K J 1/10W	
R151			RK73GB2A623J	CHIP R 62K J 1/10W		R195			RK73GB2A153J	CHIP R 15K J 1/10W	
R152			RK73GB2A101J	CHIP R 100 J 1/10W		R196			RK73GB2A103J	CHIP R 10K J 1/10W	E4
R153			RK73GB2A222J	CHIP R 2.2K J 1/10W		R196			RK73GB2A103J	CHIP R 10K J 1/10W	R1E1E2
R154			RK73GB2A101J	CHIP R 100 J 1/10W		R196			RK73GB2A103J	CHIP R 10K J 1/10W	X1E5E3
R155			RK73GB2A000J	CHIP R 0.0 J 1/10W		R196,197			RK73GB2A103J	CHIP R 10K J 1/10W	M1M2
R156			RK73GB2A101J	CHIP R 100 J 1/10W		R197			RK73GB2A103J	CHIP R 10K J 1/10W	KK1K2
R157			RK73GB2A473J	CHIP R 47K J 1/10W	KR1K1	R197			RK73GB2A303J	CHIP R 30K J 1/10W	X1
R157			RK73GB2A473J	CHIP R 47K J 1/10W	K2	R197			RK73GB2A332J	CHIP R 3.3K J 1/10W	E1E2E5
R157-159			RK73GB2A473J	CHIP R 47K J 1/10W	E1E2M1	R197			RK73GB2A332J	CHIP R 3.3K J 1/10W	E3E4
R157-159			RK73GB2A473J	CHIP R 47K J 1/10W	E3E4	R198			RK73GB2A102J	CHIP R 1.0K J 1/10W	
R157-159			RK73GB2A473J	CHIP R 47K J 1/10W	M2X1E5	R200			RK73GB2A101J	CHIP R 100 J 1/10W	
R159			RK73GB2A473J	CHIP R 47K J 1/10W	KR1K1	R202			RK73GB2A153J	CHIP R 15K J 1/10W	
R159			RK73GB2A473J	CHIP R 47K J 1/10W	K2	R203			RK73GB2A101J	CHIP R 100 J 1/10W	
R160			RK73GB2A101J	CHIP R 100 J 1/10W		R208			RK73GB2A472J	CHIP R 4.7K J 1/10W	
R161			RK73GB2A222J	CHIP R 2.2K J 1/10W		R209-213			RK73GB2A101J	CHIP R 100 J 1/10W	
R164			RK73GB2A471J	CHIP R 470 J 1/10W		R215			RK73GB2A103J	CHIP R 10K J 1/10W	E4K2
R165			RK73GB2A682J	CHIP R 6.8K J 1/10W		R215			RK73GB2A103J	CHIP R 10K J 1/10W	E5R1K1
R166			RK73GB2A472J	CHIP R 4.7K J 1/10W		R215			RK73GB2A103J	CHIP R 10K J 1/10W	KM1M2
R168			RK73GB2A471J	CHIP R 470 J 1/10W		R215			RK73GB2A103J	CHIP R 10K J 1/10W	X1E1E2
R169			RK73GB2A104J	CHIP R 100K J 1/10W		R216			RK73GB2A103J	CHIP R 10K J 1/10W	E3
R170			RK73GB2A472J	CHIP R 4.7K J 1/10W		R222			RK73GB2A104J	CHIP R 100K J 1/10W	
R172			RK73GB2A101J	CHIP R 100 J 1/10W	E2M1M2	R223			RK73GB2A101J	CHIP R 100 J 1/10W	
R172			RK73GB2A101J	CHIP R 100 J 1/10W	E3E4	R224			RK73GB2A473J	CHIP R 47K J 1/10W	
R172			RK73GB2A101J	CHIP R 100 J 1/10W	E5K1K2	R225,226			RK73GB2A101J	CHIP R 100 J 1/10W	E1E2M1
R172			RK73GB2A101J	CHIP R 100 J 1/10W	KR1E1	R225,226			RK73GB2A101J	CHIP R 100 J 1/10W	E3E4
R173			RK73GB2A682J	CHIP R 6.8K J 1/10W		R225,226			RK73GB2A101J	CHIP R 100 J 1/10W	M2X1E5
R174,175			RK73GB2A473J	CHIP R 47K J 1/10W	E2M1M2	R226			RK73GB2A101J	CHIP R 100 J 1/10W	KR1K1
R174,175			RK73GB2A473J	CHIP R 47K J 1/10W	E3E4	R226			RK73GB2A101J	CHIP R 100 J 1/10W	K2
R174,175			RK73GB2A473J	CHIP R 47K J 1/10W	E5K1K2	R227			RK73GB2A104J	CHIP R 100K J 1/10W	E1E2M1
R174,175			RK73GB2A473J	CHIP R 47K J 1/10W	KR1E1	R227			RK73GB2A104J	CHIP R 100K J 1/10W	E3E4
R175			RK73GB2A473J	CHIP R 47K J 1/10W	X1	R227			RK73GB2A104J	CHIP R 100K J 1/10W	M2X1E5
R177			RK73GB2A473J	CHIP R 47K J 1/10W	E2M1M2	R228-233			RK73GB2A101J	CHIP R 100 J 1/10W	
R177			RK73GB2A473J	CHIP R 47K J 1/10W	E3E4	R234,235			RK73GB2A102J	CHIP R 1.0K J 1/10W	
R177			RK73GB2A473J	CHIP R 47K J 1/10W	E5K1K2	R236			RK73GB2A104J	CHIP R 100K J 1/10W	
R177			RK73GB2A473J	CHIP R 47K J 1/10W	KR1E1	R237			RK73GB2A473J	CHIP R 47K J 1/10W	
R180			RK73GB2A103J	CHIP R 10K J 1/10W		R238-253			RK73GB2A101J	CHIP R 100 J 1/10W	
R181			RK73GB2A104J	CHIP R 100K J 1/10W		R254			RK73GB2A473J	CHIP R 47K J 1/10W	
R182			RK73GB2A103J	CHIP R 10K J 1/10W	E4	R255-258			RK73GB2A104J	CHIP R 100K J 1/10W	
R182			RK73GB2A103J	CHIP R 10K J 1/10W	K1K2E3	R259			RK73GB2A153J	CHIP R 15K J 1/10W	
R183			RK73GB2A473J	CHIP R 47K J 1/10W		R260,261			RK73GB2A104J	CHIP R 100K J 1/10W	
R184			RK73GB2A103J	CHIP R 10K J 1/10W	E5R1	R263			RK73GB2A103J	CHIP R 10K J 1/10W	
R184			RK73GB2A103J	CHIP R 10K J 1/10W	KM1M2	R302			RK73EB2E2R2J	CHIP R 2.2 J 1/4W	
R184			RK73GB2A103J	CHIP R 10K J 1/10W	X1E1E2	R303-306			RK73GB2A000J	CHIP R 0.0 J 1/10W	
R185			RK73GB2A222J	CHIP R 2.2K J 1/10W		R307-310			RK73GB2A101J	CHIP R 100 J 1/10W	
R186			RK73GB2A223J	CHIP R 22K J 1/10W		R311,312			RK73GB2A103J	CHIP R 10K J 1/10W	
R187			RK73GB2A473J	CHIP R 47K J 1/10W		R317			RK73GB2A102J	CHIP R 1.0K J 1/10W	
R188			RK73GB2A222J	CHIP R 2.2K J 1/10W	E2M1M2	R318			RK73GB2A104J	CHIP R 100K J 1/10W	

E1: DDX5022 E2: DDX5022Y E3: DNX5220BT E4: DNX5220 E5: DDX52RY (Europe) △ Indicates safety critical components.
 K: DDX512 K1: DNX5120 K2: DNX512EX (North America)
 X1: DDX5032 (Australia) R1: DDX5032 (Latin America)
 M1: DDX5032 M2: DDX5032M (Other Areas)

PARTS LIST

ELECTRIC UNIT (X34-575x-xx)

Ref. No.	A	N	Parts No.	Description	Desti- nation	Ref. No.	A	N	Parts No.	Description	Desti- nation
R319,320			RK73GB2A102J	CHIP R 1.0K J 1/10W		R440			RK73EB2E101J	CHIP R 100 J 1/4W	X1E1E2
R321,322			RK73GB2A103J	CHIP R 10K J 1/10W		R441			RK73EB2E432J	CHIP R 4.3K J 1/4W	E4K2
R323,324			RK73GB2A101J	CHIP R 100 J 1/10W		R441			RK73EB2E432J	CHIP R 4.3K J 1/4W	E5R1K1
R325-327			RK73GB2A103J	CHIP R 10K J 1/10W		R441			RK73EB2E432J	CHIP R 4.3K J 1/4W	KM1M2
R329			RK73GB2A103J	CHIP R 10K J 1/10W		R441			RK73EB2E432J	CHIP R 4.3K J 1/4W	X1E1E2
R400,401			RK73GB2A100J	CHIP R 10 J 1/10W	E1E2M1	R442			RK73EB2E100J	CHIP R 10 J 1/4W	E4K2
R400,401			RK73GB2A100J	CHIP R 10 J 1/10W	E3E4	R442			RK73EB2E100J	CHIP R 10 J 1/4W	E5R1K1
R400,401			RK73GB2A100J	CHIP R 10 J 1/10W	M2X1E5	R442			RK73EB2E100J	CHIP R 10 J 1/4W	KM1M2
R402			RK73GB2A222J	CHIP R 2.2K J 1/10W	E1E2M1	R442			RK73EB2E100J	CHIP R 10 J 1/4W	X1E1E2
R402			RK73GB2A222J	CHIP R 2.2K J 1/10W	E3E4	R443			RK73EB2E4R7J	CHIP R 4.7 J 1/4W	E4K2
R402			RK73GB2A222J	CHIP R 2.2K J 1/10W	M2X1E5	R443			RK73EB2E4R7J	CHIP R 4.7 J 1/4W	E5R1K1
R403			RK73GB2A102J	CHIP R 1.0K J 1/10W	E1E2M1	R443			RK73EB2E4R7J	CHIP R 4.7 J 1/4W	KM1M2
R403			RK73GB2A102J	CHIP R 1.0K J 1/10W	E3E4	R443			RK73EB2E4R7J	CHIP R 4.7 J 1/4W	X1E1E2
R403			RK73GB2A102J	CHIP R 1.0K J 1/10W	M2X1E5	R444			RK73EB2E100J	CHIP R 10 J 1/4W	E4K2
R404,405			RK73GB2A100J	CHIP R 10 J 1/10W	E1E2M1	R444			RK73EB2E100J	CHIP R 10 J 1/4W	E5R1K1
R404,405			RK73GB2A100J	CHIP R 10 J 1/10W	E3E4	R444			RK73EB2E100J	CHIP R 10 J 1/4W	KM1M2
R404,405			RK73GB2A100J	CHIP R 10 J 1/10W	M2X1E5	R444			RK73EB2E100J	CHIP R 10 J 1/4W	X1E1E2
R406			RK73EB2E100J	CHIP R 10 J 1/4W	E1E2M1	R445			RK73GB2A100J	CHIP R 10 J 1/10W	E4K2
R406			RK73EB2E100J	CHIP R 10 J 1/4W	E3E4	R445			RK73GB2A100J	CHIP R 10 J 1/10W	E5R1K1
R406			RK73EB2E100J	CHIP R 10 J 1/4W	M2X1E5	R445			RK73GB2A100J	CHIP R 10 J 1/10W	KM1M2
R407			RK73EB2E4R7J	CHIP R 4.7 J 1/4W	E1E2M1	R445			RK73GB2A100J	CHIP R 10 J 1/10W	X1E1E2
R407			RK73EB2E4R7J	CHIP R 4.7 J 1/4W	E3E4	R446			RK73GB2A473J	CHIP R 47K J 1/10W	E4K2
R407			RK73EB2E4R7J	CHIP R 4.7 J 1/4W	M2X1E5	R446			RK73GB2A473J	CHIP R 47K J 1/10W	E5R1K1
R408			RK73EB2E100J	CHIP R 10 J 1/4W	E1E2M1	R446			RK73GB2A473J	CHIP R 47K J 1/10W	KM1M2
R408			RK73EB2E100J	CHIP R 10 J 1/4W	E3E4	R446			RK73GB2A473J	CHIP R 47K J 1/10W	X1E1E2
R408			RK73EB2E100J	CHIP R 10 J 1/4W	M2X1E5	R447			RK73GB2A104J	CHIP R 100K J 1/10W	E4K2
R409-411			RK73EB2E102J	CHIP R 1.0K J 1/4W	E1E2M1	R447			RK73GB2A104J	CHIP R 100K J 1/10W	E5R1K1
R409-411			RK73EB2E102J	CHIP R 1.0K J 1/4W	E3E4	R447			RK73GB2A104J	CHIP R 100K J 1/10W	KM1M2
R409-411			RK73EB2E102J	CHIP R 1.0K J 1/4W	M2X1E5	R447			RK73GB2A104J	CHIP R 100K J 1/10W	X1E1E2
R412-414			RK73EB2E101J	CHIP R 100 J 1/4W	E1E2M1	R448			RK73GB2A473J	CHIP R 47K J 1/10W	E4K2
R412-414			RK73EB2E101J	CHIP R 100 J 1/4W	E3E4	R448			RK73GB2A473J	CHIP R 47K J 1/10W	E5R1K1
R412-414			RK73EB2E101J	CHIP R 100 J 1/4W	M2X1E5	R448			RK73GB2A473J	CHIP R 47K J 1/10W	KM1M2
R415,416			RK73EB2E102J	CHIP R 1.0K J 1/4W	E1E2M1	R448			RK73GB2A473J	CHIP R 47K J 1/10W	X1E1E2
R415,416			RK73EB2E102J	CHIP R 1.0K J 1/4W	E3E4	R451-453			RK73GB2A100J	CHIP R 10 J 1/10W	E4K2
R415,416			RK73EB2E102J	CHIP R 1.0K J 1/4W	M2X1E5	R451-453			RK73GB2A100J	CHIP R 10 J 1/10W	E5R1K1
R417			RK73EB2E101J	CHIP R 100 J 1/4W	E1E2M1	R451-453			RK73GB2A100J	CHIP R 10 J 1/10W	KM1M2
R417			RK73EB2E101J	CHIP R 100 J 1/4W	E3E4	R451-453			RK73GB2A100J	CHIP R 10 J 1/10W	X1E1E2
R417			RK73EB2E101J	CHIP R 100 J 1/4W	M2X1E5	R454			RK73GB2A102J	CHIP R 1.0K J 1/10W	E4K2
R418			RK73GB2A100J	CHIP R 10 J 1/10W	E1E2M1	R454			RK73GB2A102J	CHIP R 1.0K J 1/10W	E5R1K1
R418			RK73GB2A100J	CHIP R 10 J 1/10W	E3E4	R454			RK73GB2A102J	CHIP R 1.0K J 1/10W	KM1M2
R418			RK73GB2A100J	CHIP R 10 J 1/10W	M2X1E5	R454			RK73GB2A102J	CHIP R 1.0K J 1/10W	X1E1E2
R419			RK73GB2A750J	CHIP R 75 J 1/10W	E1E2M1	R455			RK73GB2A222J	CHIP R 2.2K J 1/10W	E4K2
R419			RK73GB2A750J	CHIP R 75 J 1/10W	E3E4	R455			RK73GB2A222J	CHIP R 2.2K J 1/10W	E5R1K1
R419			RK73GB2A750J	CHIP R 75 J 1/10W	M2X1E5	R455			RK73GB2A222J	CHIP R 2.2K J 1/10W	KM1M2
R438			RK73EB2E432J	CHIP R 4.3K J 1/4W	E4K2	R455			RK73GB2A222J	CHIP R 2.2K J 1/10W	X1E1E2
R438			RK73EB2E432J	CHIP R 4.3K J 1/4W	E5R1K1	R456			RK73EB2E103J	CHIP R 10K J 1/4W	E4K2
R438			RK73EB2E432J	CHIP R 4.3K J 1/4W	KM1M2	R456			RK73EB2E103J	CHIP R 10K J 1/4W	E5R1K1
R438			RK73EB2E432J	CHIP R 4.3K J 1/4W	X1E1E2	R456			RK73EB2E103J	CHIP R 10K J 1/4W	KM1M2
R439			RK73EB2E472J	CHIP R 4.7K J 1/4W	E4K2	R456			RK73EB2E103J	CHIP R 10K J 1/4W	X1E1E2
R439			RK73EB2E472J	CHIP R 4.7K J 1/4W	E5R1K1	R458			RK73GB2A104J	CHIP R 100K J 1/10W	
R439			RK73EB2E472J	CHIP R 4.7K J 1/4W	KM1M2	R500			RK73FB2B152J	CHIP R 1.5K J 1/8W	
R439			RK73EB2E472J	CHIP R 4.7K J 1/4W	X1E1E2	R501			RK73GB2A102J	CHIP R 1.0K J 1/10W	
R440			RK73EB2E101J	CHIP R 100 J 1/4W	E4K2	R502			RK73GB2A223J	CHIP R 22K J 1/10W	
R440			RK73EB2E101J	CHIP R 100 J 1/4W	E5R1K1	R503			RK73GB2A100J	CHIP R 10 J 1/10W	
R440			RK73EB2E101J	CHIP R 100 J 1/4W	KM1M2	R505-507			RK73GB2A222J	CHIP R 2.2K J 1/10W	E2M1M2

E1: DDX5022 **E2:** DDX5022Y **E3:** DNX5220BT **E4:** DNX5220 **E5:** DDX52RY (Europe) △ Indicates safety critical components.
K: DDX512 **K1:** DNX5120 **K2:** DNX512EX (North America)
X1: DDX5032 (Australia) **R1:** DDX5032 (Latin America)
M1: DDX5032 **M2:** DDX5032M (Other Areas)

PARTS LIST

ELECTRIC UNIT (X34-575x-xx)

Ref. No.	Add	New	Parts No.	Description	Destination	Ref. No.	Add	New	Parts No.	Description	Destination
R505-507			RK73GB2A222J	CHIP R 2.2K J 1/10W	E3E4	W310,311			R92-1252-05	CHIP R 0 OHM J 1/16W	E5R1K1
R505-507			RK73GB2A222J	CHIP R 2.2K J 1/10W	E5K1K2	W310,311			R92-1252-05	CHIP R 0 OHM J 1/16W	KM1M2
R505-507			RK73GB2A222J	CHIP R 2.2K J 1/10W	KR1E1	W310,311			R92-1252-05	CHIP R 0 OHM J 1/16W	X1E1E2
R600,601			RK73GB2A470J	CHIP R 47 J 1/10W		W800			R92-1252-05	CHIP R 0 OHM J 1/16W	
R603,604			RK73GB2A470J	CHIP R 47 J 1/10W		W802			R92-1252-05	CHIP R 0 OHM J 1/16W	
R605			RK73GB2A333J	CHIP R 33K J 1/10W		D1			RB160L-40	DIODE	
R606			RK73GB2A331J	CHIP R 330 J 1/10W		D2			UDZS5.6B	ZENER DIODE	
R607			RK73GB2A682J	CHIP R 6.8K J 1/10W		D3			DAP202U	DIODE	
R608			RK73GB2A221J	CHIP R 220 J 1/10W		D4			DAN202U	DIODE	
R609			RK73GB2A223J	CHIP R 22K J 1/10W		D6,7			1SR154-400	DIODE	
R610			RK73GB2A432J	CHIP R 4.3K J 1/10W		D8			DAN202U	DIODE	
R611			RK73GB2A100J	CHIP R 10 J 1/10W		D9			1SR154-400	DIODE	
R700			RK73FB2B101J	CHIP R 100 J 1/8W		D10			DAN202U	DIODE	
R701			RK73GB2A471J	CHIP R 470 J 1/10W		D11			1SR154-400	DIODE	
R702			RK73GB2A223J	CHIP R 22K J 1/10W		D12			UDZS6.2B	ZENER DIODE	
R705			RK73GB2A223J	CHIP R 22K J 1/10W		D13			UDZS6.8B	ZENER DIODE	
R707			RK73FB2B101J	CHIP R 100 J 1/8W		D15			UDZS6.8B	ZENER DIODE	
R708			RK73GB2A471J	CHIP R 470 J 1/10W		D17			RM4ZLF-J1NF	DIODE	
R709			RK73FB2B101J	CHIP R 100 J 1/8W		D18			UDZS4.7B	ZENER DIODE	
R710			RK73GB2A471J	CHIP R 470 J 1/10W		D19			UDZS6.2B	ZENER DIODE	
R712			RK73GB2A223J	CHIP R 22K J 1/10W		D20			DAN202U	DIODE	
R716			RK73GB2A223J	CHIP R 22K J 1/10W		D300,301			DAP202U	DIODE	
R717			RK73FB2B101J	CHIP R 100 J 1/8W		D302,303			UDZS6.8B	ZENER DIODE	
R718			RK73GB2A471J	CHIP R 470 J 1/10W		D304-306			DAP202U	DIODE	
R719			RK73FB2B101J	CHIP R 100 J 1/8W		D307			UDZS6.8B	ZENER DIODE	
R720			RK73GB2A471J	CHIP R 470 J 1/10W		D400			UDZS4.7B	ZENER DIODE	E1E2M1
R721			RK73GB2A223J	CHIP R 22K J 1/10W		D400			UDZS4.7B	ZENER DIODE	E3E4
R724			RK73GB2A223J	CHIP R 22K J 1/10W		D400			UDZS4.7B	ZENER DIODE	M2X1E5
R725			RK73FB2B101J	CHIP R 100 J 1/8W		D401			DAP202U	DIODE	E1E2M1
R726			RK73GB2A471J	CHIP R 470 J 1/10W		D401			DAP202U	DIODE	E3E4
R800,801			RK73GB2A102J	CHIP R 1.0K J 1/10W		D401			DAP202U	DIODE	M2X1E5
R802-811			RK73GB2A101J	CHIP R 100 J 1/10W		D402,403			UDZS6.2B	ZENER DIODE	E1E2M1
R812			RK73GB2A102J	CHIP R 1.0K J 1/10W		D402,403			UDZS6.2B	ZENER DIODE	E3E4
R813			RK73FB2B100J	CHIP R 10 J 1/8W		D402,403			UDZS6.2B	ZENER DIODE	M2X1E5
R814			RK73FB2B4R7J	CHIP R 4.7 J 1/8W		D404,405			UDZS6.8B	ZENER DIODE	E1E2M1
R818			RK73FB2B100J	CHIP R 10 J 1/8W		D404,405			UDZS6.8B	ZENER DIODE	E3E4
R819,820			RK73GB2A103J	CHIP R 10K J 1/10W		D404,405			UDZS6.8B	ZENER DIODE	M2X1E5
R821			RK73GB2A000J	CHIP R 0.0 J 1/10W		D406-413			UDZS6.2B	ZENER DIODE	E1E2M1
R822			RK73FB2B821J	CHIP R 820 J 1/8W		D406-413			UDZS6.2B	ZENER DIODE	E3E4
R823			RK73GB2A100J	CHIP R 10 J 1/10W		D406-413			UDZS6.2B	ZENER DIODE	M2X1E5
W4			R92-1252-05	CHIP R 0 OHM J 1/16W		D417			UDZS6.2B	ZENER DIODE	E1E2M1
W100			R92-1252-05	CHIP R 0 OHM J 1/16W		D417			UDZS6.2B	ZENER DIODE	E3E4
W102-104			R92-1252-05	CHIP R 0 OHM J 1/16W	E5R1	D417			UDZS6.2B	ZENER DIODE	M2X1E5
W102-104			R92-1252-05	CHIP R 0 OHM J 1/16W	KM1M2	D418			DA204U	DIODE	
W102-104			R92-1252-05	CHIP R 0 OHM J 1/16W	X1E1E2	D419-421			UDZS6.2B	ZENER DIODE	E4K2
W102,103			R92-1252-05	CHIP R 0 OHM J 1/16W	E4	D419-421			UDZS6.2B	ZENER DIODE	E5R1K1
W102,103			R92-1252-05	CHIP R 0 OHM J 1/16W	K1K2E3	D419-421			UDZS6.2B	ZENER DIODE	KM1M2
W105			R92-2052-05	CHIP R 0 OHM J 1/10W		D419-421			UDZS6.2B	ZENER DIODE	X1E1E2
W300-303			R92-1252-05	CHIP R 0 OHM J 1/16W	KR1K1	D422,423			UDZS6.8B	ZENER DIODE	E4K2
W300-303			R92-1252-05	CHIP R 0 OHM J 1/16W	K2	D422,423			UDZS6.8B	ZENER DIODE	E5R1K1
W300,301			R92-1252-05	CHIP R 0 OHM J 1/16W	E1E2M1	D422,423			UDZS6.8B	ZENER DIODE	KM1M2
W300,301			R92-1252-05	CHIP R 0 OHM J 1/16W	E3E4	D422,423			UDZS6.8B	ZENER DIODE	X1E1E2
W300,301			R92-1252-05	CHIP R 0 OHM J 1/16W	M2X1E5	D424-426			UDZS6.2B	ZENER DIODE	E4K2
W304-309			R92-1252-05	CHIP R 0 OHM J 1/16W	E3	D424-426			UDZS6.2B	ZENER DIODE	E5R1K1
W310,311			R92-1252-05	CHIP R 0 OHM J 1/16W	E4K2	D424-426			UDZS6.2B	ZENER DIODE	KM1M2

E1: DDX5022 E2: DDX5022Y E3: DNX5220BT E4: DNX5220 E5: DDX52RY (Europe)

K: DDX512 K1: DNX5120 K2: DNX512EX (North America)

X1: DDX5032 (Australia) R1: DDX5032 (Latin America)

M1: DDX5032 M2: DDX5032M (Other Areas)

△ Indicates safety critical components.

PARTS LIST

ELECTRIC UNIT (X34-575x-xx)

Ref. No.	Ad	New	Parts No.	Description	Desti- nation	Ref. No.	Ad	New	Parts No.	Description	Desti- nation
D424-426			UDZS6.2B	ZENER DIODE	X1E1E2	Q6			DTC143EUA	DIGITAL TRANSISTOR	
D427			UDZS4.7B	ZENER DIODE	E4K2	Q7			DTC144EUA	DIGITAL TRANSISTOR	
D427			UDZS4.7B	ZENER DIODE	E5R1K1	Q8			2SC4081	TRANSISTOR	
D427			UDZS4.7B	ZENER DIODE	KM1M2	Q9			DTA114EUA	DIGITAL TRANSISTOR	
D427			UDZS4.7B	ZENER DIODE	X1E1E2	Q10			2SA1576A	TRANSISTOR	
D430			DAP202U	DIODE	E4K2	Q11			DTC143ZUA	DIGITAL TRANSISTOR	
D430			DAP202U	DIODE	E5R1K1	Q12			2SB1689	TRANSISTOR	
D430			DAP202U	DIODE	KM1M2	Q13			DTC124EUA	DIGITAL TRANSISTOR	
D430			DAP202U	DIODE	X1E1E2	Q14			2SB1188 (R)	TRANSISTOR	KR1M1
D431			1SS355	DIODE	E4K2	Q14			2SB1188 (R)	TRANSISTOR	K2
D431			1SS355	DIODE	E5R1K1	Q14			2SB1188 (R)	TRANSISTOR	M2X1K1
D431			1SS355	DIODE	KM1M2	Q15			DTC144EUA	DIGITAL TRANSISTOR	
D500			UDZS9.1B	ZENER DIODE	X1E1E2	Q16,17			2SC4081	TRANSISTOR	KR1M1
D600,601			DAP202U	DIODE		Q16,17			2SC4081	TRANSISTOR	K2
						Q16,17			2SC4081	TRANSISTOR	M2X1K1
D704-707			DAP202U	DIODE		Q17			2SC4081	TRANSISTOR	E1E2E5
D710,711			DAP202U	DIODE		Q17			2SC4081	TRANSISTOR	E3E4
D712			DA204U	DIODE		Q20			2SC4081	TRANSISTOR	
D802-806			CVS10A120M	VARIATOR		Q21			DTC144EUA	DIGITAL TRANSISTOR	
D808-812			CVS10A120M	VARIATOR		Q22			2SB1689	TRANSISTOR	
D816			UDZS10B	ZENER DIODE		Q23			2SC4081	TRANSISTOR	
IC1			M5237ML-CF0J	ANALOGUE IC		Q24			DTA124EUA	DIGITAL TRANSISTOR	
IC2			R1114N331B-TR	ANALOGUE IC (3.3V LF)		Q25			DTC143ZUA	DIGITAL TRANSISTOR	
IC100			74AHCT1G08GW	MOS-IC		Q100			DTC144EUA	DIGITAL TRANSISTOR	E4
IC101			S-80835CNNB-G	MOS-IC		Q100			DTC144EUA	DIGITAL TRANSISTOR	K1K2E3
IC103			W05-1387-00	ROM IC	KK1K2	Q101			2SA1576A	TRANSISTOR	E4
IC103			W05-1388-00	ROM IC	E1E2E3	Q101			2SA1576A	TRANSISTOR	K1K2E3
IC103			W05-1388-00	ROM IC	E4E5	Q102			DTA114EUA	DIGITAL TRANSISTOR	E4
IC103			W05-1389-00	ROM IC	M1M2	Q102			DTA114EUA	DIGITAL TRANSISTOR	K1K2E3
IC103			W05-1390-00	ROM IC	R1X1	Q103,104			DTC114TUA	DIGITAL TRANSISTOR	
IC103			W05-1391-00	ROM IC	V	Q105			DTA114TUA	DIGITAL TRANSISTOR	
IC104	*		30878MJBA21GP	MICROCONTROLLER IC		Q107			DTA114EUA	DIGITAL TRANSISTOR	
IC105	*		74AHCT1G08GW	MOS-IC	E4	Q108			2SC4081	TRANSISTOR	
IC105	*		74AHCT1G08GW	MOS-IC	K1K2E3	Q110			DTA114YUA	DIGITAL TRANSISTOR	
IC302			E-TDA7415CB	ANALOGUE IC		Q111			2SC4081	TRANSISTOR	
IC303,304			TC4052BFT	MOS-IC		Q112			DTC143ZUA	DIGITAL TRANSISTOR	
IC400			NJM2794RB2ZB	ANALOGUE IC	E3	Q113-115			2SC4081	TRANSISTOR	
IC400,401			NJM2794RB2ZB	ANALOGUE IC	E1E2M1	Q116			2SA1576A	TRANSISTOR	
IC400,401			NJM2794RB2ZB	ANALOGUE IC	E4	Q117			2SC4081	TRANSISTOR	
IC400,401			NJM2794RB2ZB	ANALOGUE IC	M2X1E5	Q118			2SA1576A	TRANSISTOR	
IC401			NJM2794RB2ZB	ANALOGUE IC	KR1K1	Q300,301			DTC143ZUA	DIGITAL TRANSISTOR	
IC401			NJM2794RB2ZB	ANALOGUE IC	K2	Q303-305			DTC143ZUA	DIGITAL TRANSISTOR	E1E2M1
IC402			TC7WHU04FU-F	MOS-IC	E1E2M1	Q303-305			DTC143ZUA	DIGITAL TRANSISTOR	E3E4
IC402			TC7WHU04FU-F	MOS-IC	E3E4	Q303-305			DTC143ZUA	DIGITAL TRANSISTOR	M2X1E5
IC402			TC7WHU04FU-F	MOS-IC	M2X1E5	Q304,305			DTC143ZUA	DIGITAL TRANSISTOR	KR1K1
IC500			E-TDA7478AD	ANALOGUE IC	E2M1M2	Q304,305			DTC143ZUA	DIGITAL TRANSISTOR	K2
IC500			E-TDA7478AD	ANALOGUE IC	E3E4	Q403			DTC143ZUA	DIGITAL TRANSISTOR	E4K2
IC500			E-TDA7478AD	ANALOGUE IC	E5K1K2	Q403			DTC143ZUA	DIGITAL TRANSISTOR	E5R1K1
IC500			E-TDA7478AD	ANALOGUE IC	KR1E1	Q403			DTC143ZUA	DIGITAL TRANSISTOR	KM1M2
IC600			E-TDA7850A	ANALOGUE IC		Q403			DTC143ZUA	DIGITAL TRANSISTOR	X1E1E2
Q1			KTA1046-P	TRANSISTOR		Q406			TPC8110-F	FET	E4K2
Q2			DTA124EUA	DIGITAL TRANSISTOR		Q406			TPC8110-F	FET	E5R1K1
Q3			2SB1188 (R)	TRANSISTOR		Q406			TPC8110-F	FET	KM1M2
Q4			2SA1576A	TRANSISTOR		Q406			TPC8110-F	FET	X1E1E2
Q5			KTA1046-P	TRANSISTOR		Q407			DTA114YUA	DIGITAL TRANSISTOR	E4K2

E1: DDX5022 E2: DDX5022Y E3: DNX5220BT E4: DNX5220 E5: DDX52RY (Europe)

△Indicates safety critical components.

K: DDX512 K1: DNX5120 K2: DNX512EX (North America)

X1: DDX5032 (Australia) R1: DDX5032 (Latin America)

M1: DDX5032 M2: DDX5032M (Other Areas)

PARTS LIST

ELECTRIC UNIT (X34-575x-xx)

Ref. No.	Add	New	Parts No.	Description	Destination	Ref. No.	Add	New	Parts No.	Description	Destination
Q407			DTA114YUA	DIGITAL TRANSISTOR	E5R1K1	C105			CK73GB1H103K	CHIP C 0.010UF	K
Q407			DTA114YUA	DIGITAL TRANSISTOR	KM1M2	C107			CK73GB1H104K	CHIP C 0.10UF	K
Q407			DTA114YUA	DIGITAL TRANSISTOR	X1E1E2	C108			CK73DF1E106Z	CHIP C 10UF	Z
Q500			DTC144EUA	DIGITAL TRANSISTOR		C109			CK73GB1H103K	CHIP C 0.010UF	K
Q501			DTA144EUA	DIGITAL TRANSISTOR		C112			CK73FB1E154K	CHIP C 0.15UF	K
Q502			2SB1449 (R)-E	TRANSISTOR		C113			CK73GB1H104K	CHIP C 0.10UF	K
Q503			2SC4081	TRANSISTOR		C114			CC73GCH1H151J	CHIP C 150PF	J
Q504			DTC143ZUA	DIGITAL TRANSISTOR		C115,116			CK73GB1C224K	CHIP C 0.22UF	K
Q505			2SA1577	TRANSISTOR		C117			CC73GCH1H151J	CHIP C 150PF	J
Q700-702			DTC143ZUA	DIGITAL TRANSISTOR		C118			CK73EB1E225K	CHIP C 2.2UF	K
Q703			DTC143TUA	DIGITAL TRANSISTOR		C119			CE32AU1C220M	CHIP EL 22UF 16WV	
Q704			DTA144EUA	DIGITAL TRANSISTOR		C120			CK73GB1H103K	CHIP C 0.010UF	K
Q705,706			DTC143TUA	DIGITAL TRANSISTOR		C121			CK73FB1C105K	CHIP C 1.0UF	K
Q707			DTA144EUA	DIGITAL TRANSISTOR		C122-124			CK73EB1C106K	CHIP C 10UF	K
Q708,709			DTC143TUA	DIGITAL TRANSISTOR		C125			CK73GB1H103K	CHIP C 0.010UF	K
Q710			DTA144EUA	DIGITAL TRANSISTOR		C126,127			CK73GB1H104K	CHIP C 0.10UF	K
Q711			DTC143TUA	DIGITAL TRANSISTOR		C128			CK73EB1C106K	CHIP C 10UF	K
Q800			DTA144EUA	DIGITAL TRANSISTOR		C200			CK73GB1A105K	CHIP C 1.0UF	K
Q801			DTC144EUA	DIGITAL TRANSISTOR		C201			CK73FB0J106K	CHIP C 10UF	K
Q802			KTA1046-P	TRANSISTOR		C202			CK73GB1H104K	CHIP C 0.10UF	K
Q803			2SC4081	TRANSISTOR		C203			CK73GB1A105K	CHIP C 1.0UF	K
Q804			DTA124XUA	DIGITAL TRANSISTOR		C204			CK73FB0J106K	CHIP C 10UF	K
TH600			PRF18BE471QS2	POSITIVE RESISTOR		C205			CK73GB1H104K	CHIP C 0.10UF	K
A500			X86-4030-11	FRONT-END UNIT	KR1X1	C206			CK73EB1E225K	CHIP C 2.2UF	K
A500			X86-4030-11	FRONT-END UNIT	K1K2	C207,208			CC73GCH1H270J	CHIP C 27PF	J
A500			X86-4032-70	FRONT-END UNIT	E1E2M1	C210-218			CK73GB1H104K	CHIP C 0.10UF	K
A500			X86-4032-70	FRONT-END UNIT	E4	C219			CC73GCH1H560J	CHIP C 56PF	J
A500			X86-4032-70	FRONT-END UNIT	M2E5E3	C220			CK73FB0J106K	CHIP C 10UF	K
A501		*	X89-3062-70	DAUGHTER UNIT	E3E4	C221-224			CK73GB1H104K	CHIP C 0.10UF	K
VIDEO UNIT (X35-4890-10)						C225			CK73DF1E106Z	CHIP C 10UF	Z
D712,713		*	B30-3201-05	LED (RGB F3)		C226,227			CK73GB1H103K	CHIP C 0.010UF	K
D721			B30-1566-05	LED (1608,RED)		C228			CK73DF1E106Z	CHIP C 10UF	Z
D722			B30-1713-05	LED (SR,TS)		C229-246			CK73GB1H104K	CHIP C 0.10UF	K
D733			B30-1566-05	LED (1608,RED)		C247			CC73GCH1H101J	CHIP C 100PF	J
C1			CK73DF1E106Z	CHIP C 10UF	Z	C248			CK73GB1H103K	CHIP C 0.010UF	K
C2-5			CK73GB1H103K	CHIP C 0.010UF	K	C249-251			CK73GB1H104K	CHIP C 0.10UF	K
C6			CK73GB0J225K	CHIP C 2.2UF	K	C252			CK73GB1A105K	CHIP C 1.0UF	K
C7			CK73GB1E183K	CHIP C 0.018UF	K	C253			CK73GB1H102K	CHIP C 1000PF	K
C8			CK73GB0J225K	CHIP C 2.2UF	K	C254			CK73GB1H104K	CHIP C 0.10UF	K
C9			CK73GB1A474K	CHIP C 0.47UF	K	C255			CK73GB1A105K	CHIP C 1.0UF	K
C10			CK73GB1H152K	CHIP C 1500PF	K	C256,257			CK73GB1H104K	CHIP C 0.10UF	K
C11			CK73GB0J225K	CHIP C 2.2UF	K	C260			CC73GCH1H101J	CHIP C 100PF	J
C12			CK73GB1H103K	CHIP C 0.010UF	K	C261,262			CK73FB0J106K	CHIP C 10UF	K
C13,14			CK73GB1H473K	CHIP C 0.047UF	K	C263			CK73DF1E106Z	CHIP C 10UF	Z
C15			C93-1383-05	CHIP C 220PF	F	C264			CK73EB1E225K	CHIP C 2.2UF	K
C16,17			CK73DF1E106Z	CHIP C 10UF	Z	C266			CK73GB1H104K	CHIP C 0.10UF	K
C19-21			C93-1283-05	CHIP C 1.0UF	K	C267-270			CC73GCH1H101J	CHIP C 100PF	J
C22			C93-1270-05	CHIP C 3300PF	K	C271			CK73EB1E106K	CHIP C 10UF	K
C23			C93-1273-05	CHIP C 15PF	J	C272-275			CK73GB1H104K	CHIP C 0.10UF	K
C24			C93-1278-05	CHIP C 0.018UF	K	C276,277			CK73GB1A105K	CHIP C 1.0UF	K
C25			C93-1283-05	CHIP C 1.0UF	K	C278			CK73GB1H104K	CHIP C 0.10UF	K
C102			CK73EB0J226K	CHIP C 22UF	K	C279			CK73DF1E106Z	CHIP C 10UF	Z
C103			CK73FB0J106K	CHIP C 10UF	K	C405			CC73GCH1H330J	CHIP C 33PF	J
C104			CK73GB1H104K	CHIP C 0.10UF	K	C451			CC73GCH1H560J	CHIP C 56PF	J
						C458			CC73GCH1H102J	CHIP C 1000PF	J

E1: DDX5022 E2: DDX5022Y E3: DNX5220BT E4: DNX5220 E5: DDX52RY (Europe) △ Indicates safety critical components.
 K: DDX512 K1: DNX5120 K2: DNX512EX (North America)
 X1: DDX5032 (Australia) R1: DDX5032 (Latin America)
 M1: DDX5032 M2: DDX5032M (Other Areas)

PARTS LIST

VIDEO UNIT (X35-4890-10)

Ref. No.	Add	New	Parts No.	Description	Destination	Ref. No.	Add	New	Parts No.	Description	Destination
C459			CK73EB1C106K	CHIP C 10UF K		R16			RK73GB2A512J	CHIP R 5.1K J 1/10W	
C460			CK73GB1H103K	CHIP C 0.010UF K		R17			RK73GH2A563D	CHIP R 56K D 1/10W	
C462			CK73GB1H103K	CHIP C 0.010UF K		R18			RK73GH2A824D	CHIP R 820K D 1/10W	
C464			CK73GB1H103K	CHIP C 0.010UF K		R19-21			RK73GB2A220J	CHIP R 22 J 1/10W	
C466			CE32BJ1C220M	CHIP EL 22UF 16WV		R22			RK73GB2A512J	CHIP R 5.1K J 1/10W	
C467			CK73GB1H103K	CHIP C 0.010UF K		R23			RK73GB2A220J	CHIP R 22 J 1/10W	
C500			CK73FB0J106K	CHIP C 10UF K		R25			RK73GH2A471D	CHIP R 470 D 1/10W	
C501,502			CK73GB1H103K	CHIP C 0.010UF K		R26,27			RK73GB2A000J	CHIP R 0.0 J 1/10W	
C503			CK73GB1H104K	CHIP C 0.10UF K		R100			RK73GB2A000J	CHIP R 0.0 J 1/10W	
C504			CK73GB1A105K	CHIP C 1.0UF K		R102			RK73GB2A000J	CHIP R 0.0 J 1/10W	
C601			CK73GB1H104K	CHIP C 0.10UF K		R104			RK73GB2A562J	CHIP R 5.6K J 1/10W	
C608			CK73FB0J106K	CHIP C 10UF K		R107			RK73GH2A124D	CHIP R 120K D 1/10W	
C610,611			CK73GB1H102K	CHIP C 1000PF K		R108			RK73GH2A113D	CHIP R 11K D 1/10W	
C701			CK73EB0J226K	CHIP C 22UF K		R109			RK73GH2A104D	CHIP R 100K D 1/10W	
CN1		*	E41-2874-05	PIN ASSY		R110			RK73GH2A113D	CHIP R 11K D 1/10W	
CN3		*	E41-2979-05	FLAT CABLE CONNECTOR		R111			RK73GB2A473J	CHIP R 47K J 1/10W	
CN4			E41-2204-05	FLAT CABLE CONNECTOR		R112			RK73FB2B222J	CHIP R 2.2K J 1/8W	
CN5			E41-2088-05	FLAT CABLE CONNECTOR		R114			RK73GH2A513D	CHIP R 51K D 1/10W	
CN6		*	E41-2953-05	FLAT CABLE CONNECTOR		R115,116			RK73GB2A472J	CHIP R 4.7K J 1/10W	
CN7		*	E41-2301-05	FLAT CABLE CONNECTOR		R117			RK73GH2A113D	CHIP R 11K D 1/10W	
J1			E59-0854-05	RECTANGULAR PLUG		R201			RK73GB2A513J	CHIP R 51K J 1/10W	
J2			E11-1001-05	3.5D PHONE JACK		R203			RK73GB2A563J	CHIP R 56K J 1/10W	
F1			F53-0297-05	FUSE (UL,CSA) 1.6A		R204			RK73GB2A472J	CHIP R 4.7K J 1/10W	
F100			F53-0280-05	FUSE 0.63A		R205-207			RK73GB2A000J	CHIP R 0.0 J 1/10W	
						R208			RK73GH2A432D	CHIP R 4.3K D 1/10W	
L1			L19-0788-05	TRANSFORMER FOR CONVERTER		R210			RK73GB2A105J	CHIP R 1.0M J 1/10W	
L2			L33-2316-05	CHOKE COIL		R211			RK73GH2A222D	CHIP R 2.2K D 1/10W	
L100			L33-2316-05	CHOKE COIL		R212			RK73GH2A153D	CHIP R 15K D 1/10W	
L101			L41-4792-13	SMALL FIXED INDUCTOR (4.7UH)		R213			RK73GB2A000J	CHIP R 0.0 J 1/10W	
L102			L41-1005-33	SMALL FIXED INDUCTOR (10U)		R214,215			RK73GB2A101J	CHIP R 100 J 1/10W	
L103,104			L41-3392-13	SMALL FIXED INDUCTOR (3.3UH)		R216			RK73GB2A000J	CHIP R 0.0 J 1/10W	
L105,106			L41-1005-33	SMALL FIXED INDUCTOR (10U)		R217-221			RK73GB2A101J	CHIP R 100 J 1/10W	
L200,201			L41-1005-33	SMALL FIXED INDUCTOR (10U)		R222			RK73GB2A000J	CHIP R 0.0 J 1/10W	
L202-206			L92-0319-05	CHIP FERRITE		R223-225			RK73GB2A101J	CHIP R 100 J 1/10W	
L207			L41-1005-33	SMALL FIXED INDUCTOR (10U)		R226,227			RK73GB2A000J	CHIP R 0.0 J 1/10W	
L208			L41-8281-15	SMALL FIXED INDUCTOR (0.82U)		R228			RK73GB2A300J	CHIP R 30 J 1/10W	
L209-212			L92-0319-05	CHIP FERRITE		R231			RK73GB2A101J	CHIP R 100 J 1/10W	
L401			L41-2205-33	SMALL FIXED INDUCTOR (22U)		R233,234			RK73GB2A000J	CHIP R 0.0 J 1/10W	
L450			L41-1005-33	SMALL FIXED INDUCTOR (10U)		R235			RK73GB2A101J	CHIP R 100 J 1/10W	
L500			L41-1005-33	SMALL FIXED INDUCTOR (10U)		R237			RK73GB2A000J	CHIP R 0.0 J 1/10W	
L600			L92-0319-05	CHIP FERRITE		R240			RK73GB2A820J	CHIP R 82 J 1/10W	
X200			L77-2965-05	CRYSTAL RESONATOR (12.000MHZ)		R241,242			RK73FB2B470J	CHIP R 47 J 1/8W	
R1			RK73FB2B152J	CHIP R 1.5K J 1/8W		R243			RK73GB2A473J	CHIP R 47K J 1/10W	
R4			RK73GB2A153J	CHIP R 15K J 1/10W		R244-246			RK73GB2A101J	CHIP R 100 J 1/10W	
R5			RK73GB2A220J	CHIP R 22 J 1/10W		R248			RK73GB2A473J	CHIP R 47K J 1/10W	
R6			RK73GB2A222J	CHIP R 2.2K J 1/10W							
R7			RK73GH2A433D	CHIP R 43K D 1/10W		R251			RK73GB2A103J	CHIP R 10K J 1/10W	
R9			RK73GB2A220J	CHIP R 22 J 1/10W		R253-259			RK73GB2A101J	CHIP R 100 J 1/10W	
R10			RK73GB2A515J	CHIP R 5.1M J 1/10W		R260			RK73GH2A513D	CHIP R 51K D 1/10W	
R11			RK73GH2A513D	CHIP R 51K D 1/10W		R261			RK73GH2A433D	CHIP R 43K D 1/10W	
R12			RK73GB2A101J	CHIP R 100 J 1/10W		R262			RK73GB2A000J	CHIP R 0.0 J 1/10W	
R13			RK73GB2A104J	CHIP R 100K J 1/10W							
R14			RK73GH2A204D	CHIP R 200K D 1/10W		R263			RK73GB2A103J	CHIP R 10K J 1/10W	
R15			RK73GB2A105J	CHIP R 1.0M J 1/10W		R264-266			RK73GB2A000J	CHIP R 0.0 J 1/10W	
						R267			RK73GB2A103J	CHIP R 10K J 1/10W	
						R268			RK73GB2A102J	CHIP R 1.0K J 1/10W	
						R269			RK73GB2A101J	CHIP R 100 J 1/10W	

PARTS LIST

VIDEO UNIT (X35-4890-10)

Ref. No.	Add	New	Parts No.	Description	Destination	Ref. No.	Add	New	Parts No.	Description	Destination
R270			RK73GB2A472J	CHIP R 4.7K J 1/10W		S600			S70-0901-05	TACT SWITCH	
R271,272			RK73GB2A000J	CHIP R 0.0 J 1/10W		S701-704			S70-0901-05	TACT SWITCH	
R273			RK73FB2B472J	CHIP R 4.7K J 1/8W							
R274-277			RK73GB2A473J	CHIP R 47K J 1/10W		S601	*		T99-0482-05	ROTARY ENCODER	
R278,279			RK73GB2A101J	CHIP R 100 J 1/10W							
R280-283			RK73GB2A103J	CHIP R 10K J 1/10W		D1			UDZS5.6B	ZENER DIODE	
R400			RK73GB2A000J	CHIP R 0.0 J 1/10W		D2,3			1SS355	DIODE	
R401			RK73GB2A272J	CHIP R 2.7K J 1/10W		D4			UDZS5.6B	ZENER DIODE	
R402			RK73GB2A101J	CHIP R 100 J 1/10W		D5			MA2S784-F	DIODE	
R406			RK73GB2A203J	CHIP R 20K J 1/10W		D6			UDZS5.6B	ZENER DIODE	
R407			RK73GB2A272J	CHIP R 2.7K J 1/10W		D7,8			DA204U	DIODE	
R408			RK73GB2A102J	CHIP R 1.0K J 1/10W		D9			CVS10A120M	VARIATOR	
R410			RK73GB2A203J	CHIP R 20K J 1/10W		D100			EP05Q06	DIODE	
R458			RK73GH2A202D	CHIP R 2.0K D 1/10W		D101-103			EP05Q04	DIODE	
R459			RK73GH2A182D	CHIP R 1.8K D 1/10W		D201,202			CVL10C270M300	VARIATOR	
R460			RK73GB2A222J	CHIP R 2.2K J 1/10W		D500-503			UDZS6.2B	ZENER DIODE	
R461			RK73GH2A473D	CHIP R 47K D 1/10W		D601-606			CVS10A180M	VARIATOR	
R462			RK73GH2A333D	CHIP R 33K D 1/10W		D608-611			CVS10A180M	VARIATOR	
R464			RK73GB2A103J	CHIP R 10K J 1/10W		D612			DA204U	DIODE	
R470			RK73GB2A103J	CHIP R 10K J 1/10W		D613			CVL10C270M300	VARIATOR	
R476			RK73GB2A103J	CHIP R 10K J 1/10W		D700			UDZS6.2B	ZENER DIODE	
R500,501			RK73GB2A333J	CHIP R 33K J 1/10W		D709-711			CVS10A180M	VARIATOR	
R502-505			RK73EB2E100J	CHIP R 10 J 1/4W		D714-716			CVS10A180M	VARIATOR	
R600,601			RK73GB2A103J	CHIP R 10K J 1/10W		D719			CVS10A180M	VARIATOR	
R602,603			RK73EB2E100J	CHIP R 10 J 1/4W		D725			CVS10A180M	VARIATOR	
R604,605			RK73GB2A103J	CHIP R 10K J 1/10W		D734			CVS10A180M	VARIATOR	
R608			RK73GB2A272J	CHIP R 2.7K J 1/10W		IC1			OZ964ISN-C-SN	ANALOGUE IC	
R609,610			RK73GB2A303J	CHIP R 30K J 1/10W		IC101	*		74AHC1G04GW	MOS-IC	
R611,612			RK73GB2A103J	CHIP R 10K J 1/10W		IC102			LT1947-PBF	ANALOGUE IC	
R613			RK73GB2A750J	CHIP R 75 J 1/10W		IC200			S-1112B25MCG	ANALOGUE IC	
R614			RK73GB2A102J	CHIP R 1.0K J 1/10W		IC201			TA75W558FU-F	ANALOGUE IC	
R615,616			RK73GB2A103J	CHIP R 10K J 1/10W		IC202			TC7WH74FU-F	MOS-IC	
R617			RK73EB2E100J	CHIP R 10 J 1/4W		IC203			MST7988LA-ALF	MOS-IC	
R618			RK73GB2A103J	CHIP R 10K J 1/10W		IC204			74AHC1G32GW	MOS-IC	
R619			RK73EB2E100J	CHIP R 10 J 1/4W		IC205	*		XC6201P532MR	ANALOGUE IC	
R620			RK73GB2A102J	CHIP R 1.0K J 1/10W		IC206	*		74LVC3G34DP	MOS-IC	
R621			RK73EB2E100J	CHIP R 10 J 1/4W		IC207	*		AT25F2048	ROM IC	
R622			RK73GB2A103J	CHIP R 10K J 1/10W		IC208			XC6201P502MR	ANALOGUE IC	
R623-628			RK73EB2E100J	CHIP R 10 J 1/4W		IC501	*		74AHCT1G08GW	MOS-IC	
R629			RK73GB2A682J	CHIP R 6.8K J 1/10W		IC700			PIC95603	ANALOGUE IC	
R630			RK73EB2E100J	CHIP R 10 J 1/4W		Q1,2			2SC4081	TRANSISTOR	
R632			RK73GB2A100J	CHIP R 10 J 1/10W		Q3			DTC143ZUA	DIGITAL TRANSISTOR	
R633			RK73EB2E101J	CHIP R 100 J 1/4W		Q4,5			SI5504DC-E3	DUAL FET	
R700			RK73FB2B101J	CHIP R 100 J 1/8W		Q100			2SC4081	TRANSISTOR	
R701			RK73GB2A221J	CHIP R 220 J 1/10W		Q101			2SA1576A	TRANSISTOR	
R706			RK73GB2A183J	CHIP R 18K J 1/10W		Q201			2SC4097	TRANSISTOR	
R707			RK73GH2A471D	CHIP R 470 D 1/10W		Q202			2SA1577	TRANSISTOR	
R708		*	RK73GH2A511D	CHIP R 510 D 1/10W		Q400,401			2SA1576A	TRANSISTOR	
R709			RK73GH2A361D	CHIP R 360 D 1/10W		Q450			DTC123JUA	DIGITAL TRANSISTOR	
R710			RK73GB2A681J	CHIP R 680 J 1/10W		Q451			UMZ1N	TRANSISTOR	
R711			RK73GH2A201D	CHIP R 200 D 1/10W		Q500,501			DTC123JUA	DIGITAL TRANSISTOR	
R712			RK73GH2A561D	CHIP R 560 D 1/10W		Q502			DTA123JUA	DIGITAL TRANSISTOR	
R713			RK73GH2A201D	CHIP R 200 D 1/10W		Q503			DTC143ZUA	DIGITAL TRANSISTOR	
R716			RK73GB2A151J	CHIP R 150 J 1/10W		Q504			DTA123JUA	DIGITAL TRANSISTOR	
VR200		*	R32-0350-05	SEMI FIXED VARIABLE RESISTOR		Q600-604			2SC4081	TRANSISTOR	

PARTS LIST

VIDEO UNIT (X35-4890-10)

Ref. No.	Add	New	Parts No.	Description	Destination
Q606			DTA144EUA	DIGITAL TRANSISTOR	
DVD UNIT (X37-1100-03)					
C3			CK73HB1A104K	CHIP C 0.10UF K	
C4			CC73HCH1H471J	CHIP C 470PF J	
C5-7			CK73HB1E103K	CHIP C 0.010UF K	
C8			CC73HCH1H471J	CHIP C 470PF J	
C9			CK73HB0J105K	CHIP C 1.0UF K	
C10			CK73GB0J475K	CHIP C 4.7UF K	
C11,12			CK73HB1E103K	CHIP C 0.010UF K	
C13			CK73HB1H472K	CHIP C 4700PF K	
C14			CK73GB0J106M	CHIP C 10UF M	
C15			CK73HB1A104K	CHIP C 0.10UF K	
C16			CK73GB0J106M	CHIP C 10UF M	
C17			CK73GB0J475K	CHIP C 4.7UF K	
C18			CK73FB0J226M	CHIP C 22UF M	
C21			CK73GB0J106M	CHIP C 10UF M	
C22,23			CK73GB0J475K	CHIP C 4.7UF K	
C50			CK73HB1E103K	CHIP C 0.010UF K	
C51			CK73HB1A104K	CHIP C 0.10UF K	
C52			CK73HB1E223K	CHIP C 0.022UF K	
C53			CC73HCH1H470J	CHIP C 47PF J	
C54			CC73HCH1H102J	CHIP C 1000PF J	
C55			CC73HCH1H100D	CHIP C 10PF D	
C56			CC73HCH1H102J	CHIP C 1000PF J	
C57			CC73HCH1E681J	CHIP C 680PF J	
C58			CK73HB1H682K	CHIP C 6800PF K	
C60,61			CK73HB1A104K	CHIP C 0.10UF K	
C62			CC73HCH1H102J	CHIP C 1000PF J	
C63			CC73HCH1H331J	CHIP C 330PF J	
C64			CK73HB1H222K	CHIP C 2200PF K	
C65			CC73HCH1E681J	CHIP C 680PF J	
C66			CK73HB1H152K	CHIP C 1500PF K	
C67,68			CC73HCH1H102J	CHIP C 1000PF J	
C69-72			CC73HCH1H151J	CHIP C 150PF J	
C73-82			CK73HB1A104K	CHIP C 0.10UF K	
C83			C93-1228-05	CHIP C 1UF M	
C84			CK73HB0J105K	CHIP C 1.0UF K	
C85			CK73HB1A104K	CHIP C 0.10UF K	
C86			C93-1228-05	CHIP C 1UF M	
C90			CK73HB1E103K	CHIP C 0.010UF K	
C92			C93-1228-05	CHIP C 1UF M	
C93-95			CK73HB1A104K	CHIP C 0.10UF K	
C97			CK73HB1A104K	CHIP C 0.10UF K	
C99			CK73HB1A104K	CHIP C 0.10UF K	
C100			CK73FB0J226M	CHIP C 22UF M	
C101			CK73GB0J475K	CHIP C 4.7UF K	
C103,104			CK73FB0J226M	CHIP C 22UF M	
C120,121			CK73HB1E223K	CHIP C 0.022UF K	
C143,144			CC73HCH1H120J	CHIP C 12PF J	
C202			CK73FB0J226M	CHIP C 22UF M	
C207,208			CK73HB1A104K	CHIP C 0.10UF K	
C210			CK73HB1A104K	CHIP C 0.10UF K	
C212			CK73HB1A104K	CHIP C 0.10UF K	
C213			CK73HB1H332K	CHIP C 3300PF K	

Ref. No.	Add	New	Parts No.	Description	Destination
C214,215			CK73HB1A104K	CHIP C 0.10UF K	
C216			CC73HCH1H471J	CHIP C 470PF J	
C217			CK73HB1A104K	CHIP C 0.10UF K	
C218			CK73HB1C473K	CHIP C 0.047UF K	
C219-224			CK73HB1A104K	CHIP C 0.10UF K	
C225			CK73GB0J475K	CHIP C 4.7UF K	
C227			CK73FB0J226M	CHIP C 22UF M	
C434			CK73GB0J106M	CHIP C 10UF M	
C435			CK73HB1E103K	CHIP C 0.010UF K	
C436,437			CK73HB1A104K	CHIP C 0.10UF K	
C440-442			CK73FB0J226M	CHIP C 22UF M	
C444			CC73HCH1H102J	CHIP C 1000PF J	
C445			CK73HB1E103K	CHIP C 0.010UF K	
C446			CC73HCH1H101J	CHIP C 100PF J	
C447,448			CC73HCH1H102J	CHIP C 1000PF J	
C449,450			CK73HB1H472K	CHIP C 4700PF K	
C451			CC73HCH1H102J	CHIP C 1000PF J	
CN1			E41-2594-05	FLAT CABLE CONNECTOR	
CN2			E41-2603-05	FLAT CABLE CONNECTOR	
CN3			E41-2596-05	FLAT CABLE CONNECTOR	
P2			E23-0766-05	TERMINAL	
P8			E23-0766-05	TERMINAL	
L1			L92-0365-05	CHIP FERRITE	
L5			L92-0365-05	CHIP FERRITE	
L6			L92-0617-05	CHIP FERRITE	
X1			L77-2870-05	CRYSTAL RESONATOR	
CP2-4			RK74HB1J103J	CHIP-COM 10K J 1/16W	
CP5-9			RK74HB1J330J	CHIP-COM 33 J 1/16W	
CP10			RK74HB1J820J	CHIP-COM 82 J 1/16W	
CP11			RK74HB1J103J	CHIP-COM 10K J 1/16W	
R1			RK73HB1J103J	CHIP R 10K J 1/16W	
R3,4			RK73HB1J103J	CHIP R 10K J 1/16W	
R5,6			RK73HH1J123D	CHIP R 12K D 1/16W	
R7			RK73HH1J333D	CHIP R 33K D 1/16W	
R8,9			RK73HB1J103J	CHIP R 10K J 1/16W	
R10			RK73HB1J163J	CHIP R 16K J 1/16W	
R11			RK73HB1J102J	CHIP R 1.0K J 1/16W	
R13			RK73HB1J103J	CHIP R 10K J 1/16W	
R16			RK73HB1J103J	CHIP R 10K J 1/16W	
R17			RK73HB1J271J	CHIP R 270 J 1/16W	
R18			RK73HH1J270D	CHIP R 27 D 1/16W	
R19			RK73HB1J301J	CHIP R 300 J 1/16W	
R21,22			RK73HH1J103D	CHIP R 10K D 1/16W	
R26,27			R92-5146-05	CHIP R 1.0 D 1/4W	
R28,29			R92-5147-05	CHIP R 1.2 D 1/4W	
R31			RK73HB1J102J	CHIP R 1.0K J 1/16W	
R50,51			RK73HB1J510J	CHIP R 51 J 1/16W	
R52			RK73HH1J153D	CHIP R 15K D 1/16W	
R53			RK73HB1J105J	CHIP R 1.0M J 1/16W	
R54			RK73HB1J472J	CHIP R 4.7K J 1/16W	
R55			RK73HB1J103J	CHIP R 10K J 1/16W	
R56			RK73HH1J472D	CHIP R 4.7K D 1/16W	
R57,58			RK73HB1J202J	CHIP R 2.0K J 1/16W	
R59,60			RK73HB1J103J	CHIP R 10K J 1/16W	

PARTS LIST

DVD UNIT (X37-1100-03)

Ref. No.	Add	New	Parts No.	Description	Destination
R63			RK73HB1J103J	CHIP R 10K J 1/16W	
R64,65			RK73HB1J472J	CHIP R 4.7K J 1/16W	
R81			RK73HB1J103J	CHIP R 10K J 1/16W	
R83,84			RK73HB1J473J	CHIP R 47K J 1/16W	
R85			RK73HB1J223J	CHIP R 22K J 1/16W	
R86			RK73HB1J103J	CHIP R 10K J 1/16W	
R87			RK73HB1J105J	CHIP R 1.0M J 1/16W	
R88			RK73HB1J152J	CHIP R 1.5K J 1/16W	
R89,90			RK73HB1J123J	CHIP R 12K J 1/16W	
R91			RK73HB1J472J	CHIP R 4.7K J 1/16W	
R92			RK73HB1J273J	CHIP R 27K J 1/16W	
R96			RK73HB1J103J	CHIP R 10K J 1/16W	
R98			RK73HB1J202J	CHIP R 2.0K J 1/16W	
R101			RK73HH1J273D	CHIP R 27K D 1/16W	
R102			RK73GB2A470J	CHIP R 47 J 1/10W	
R105			RK73HB1J103J	CHIP R 10K J 1/16W	
R113			RK73HB1J153J	CHIP R 15K J 1/16W	
R120			RK73HB1J103J	CHIP R 10K J 1/16W	
R121			RK73HB1J820J	CHIP R 82 J 1/16W	
R122			RK73HB1J103J	CHIP R 10K J 1/16W	
R123			RK73HB1J330J	CHIP R 33 J 1/16W	
R124-126			RK73HB1J820J	CHIP R 82 J 1/16W	
R150,151			RK73HB1J102J	CHIP R 1.0K J 1/16W	
R152,153			RK73HB1J104J	CHIP R 100K J 1/16W	
R154,155			RK73HB1J103J	CHIP R 10K J 1/16W	
R158,159			RK73HB1J1R0J	CHIP R 1.0 J 1/16W	
R160			R92-3350-05	CHIP R 2.2 F 1/10W	
R162,163			RK73HB1J104J	CHIP R 100K J 1/16W	
R164,165			RK73HH1J101D	CHIP R 100 D 1/16W	
R166			RK73HB1J225J	CHIP R 2.2M J 1/16W	
R167			RK73HH1J113D	CHIP R 11K D 1/16W	
R168			RK73HH1J273D	CHIP R 27K D 1/16W	
R169			RK73HB1J125J	CHIP R 1.2M J 1/16W	
R255			R92-5112-05	CHIP R 4.7 F 1/10W	
R256			RK73HH1J111D	CHIP R 110 D 1/16W	
R257			RK73HH1J202D	CHIP R 2.0K D 1/16W	
R258,259			RK73HB1J103J	CHIP R 10K J 1/16W	
R260			RK73HH1J132D	CHIP R 1.3K D 1/16W	
R261			RK73HH1J203D	CHIP R 20K D 1/16W	
R262			RK73HB1J821J	CHIP R 820 J 1/16W	
R263			RK73HB1J242J	CHIP R 2.4K J 1/16W	
R265-268			RK73HB1J000J	CHIP R 0.0 J 1/16W	
R270			RK73HB1J000J	CHIP R 0.0 J 1/16W	
R271			RK73HB1J471J	CHIP R 470 J 1/16W	
R272			RK73HH1J682D	CHIP R 6.8K D 1/16W	
R273			RK73HH1J122D	CHIP R 1.2K D 1/16W	
R274			RK73HH1J682D	CHIP R 6.8K D 1/16W	
R275			RK73HH1J122D	CHIP R 1.2K D 1/16W	
R278			R92-5112-05	CHIP R 4.7 F 1/10W	
R279			RK73HH1J102D	CHIP R 1.0K D 1/16W	
R280			RK73HB1J4R7J	CHIP R 4.7 J 1/16W	
R284			RK73HB1J000J	CHIP R 0.0 J 1/16W	
R285-287			RK73GB2A000J	CHIP R 0.0 J 1/10W	
S1			S68-0911-15	PUSH SWITCH	

Ref. No.	Add	New	Parts No.	Description	Destination
S2			S68-0914-05	PUSH SWITCH	
D1			1SS402-F	DIODE	
D5,6			015AZ5.1-F (Y)	ZENER DIODE	
D8			1SS387-F	DIODE	
IC1			AN22022ABV	ANALOGUE IC	
IC3			-	ROM IC	
IC4			MN103S71F	MOS-IC	
IC5			S1000N2814T1G	ANALOGUE IC	
IC7			TA48S033AF-Q	ANALOGUE IC	
IC8			S-80812CNPF-G	ANALOGUE IC	
IC9			TA48S015AF-Q	ANALOGUE IC	
IC10			AN41250A-VB	ANALOGUE IC	
IC11			-	ROM IC	
IC12			NJU7042	ANALOGUE IC	
Q1-4			DTA143XE	TRANSISTOR	
Q5,6			2SK3019	FET	
Q12,13			2SB1709	TRANSISTOR	
Q14			SSM3J15FU-F	FET	
Q15			DTA143ZE	TRANSISTOR	
Q18			DTA143ZE	TRANSISTOR	
Q19			DTC114EE	TRANSISTOR	
DAUGHTER UNIT (X89-3062-70)					
C1			CC73GCH1H180J	CHIP C 18PF J	E3E4
C2			CC73GCH1H070D	CHIP C 7.0PF D	E3E4
C3			CC73GCH1H150J	CHIP C 15PF J	E3E4
C4			CC73GCH1H180J	CHIP C 18PF J	E3E4
C5			CC73GCH1H390J	CHIP C 39PF J	E3E4
C6			CC73GCH1H020C	CHIP C 2.0PF C	E3E4
C7			CC73GCH1H120J	CHIP C 12PF J	E3E4
C8			CK73FB1C105K	CHIP C 1.0UF K	E3E4
C10-12			CC73GCH1H102J	CHIP C 1000PF J	E3E4
C13			CC73GCH1H221J	CHIP C 220PF J	E3E4
C14			CC73GCH1H030C	CHIP C 3.0PF C	E3E4
C15,16			CC73GCH1H560J	CHIP C 56PF J	E3E4
C17			CC73GCH1H102J	CHIP C 1000PF J	E3E4
CN1		*	E41-3008-05	PIN ASSY	E3E4
W1		*	E30-6808-05	CORD WITH PLUG (ANT)	E3E4
W2		*	E30-6807-05	CORD WITH PLUG	E3E4
L1			L41-2705-33	SMALL FIXED INDUCTOR (27U)	E3E4
L2			L41-1588-18	SMALL FIXED INDUCTOR	E3E4
L3			L41-1805-33	SMALL FIXED INDUCTOR (18U)	E3E4
L4,5			L41-1588-18	SMALL FIXED INDUCTOR	E3E4
L6			L19-0825-05	BALUN TRANSFORMER	E3E4
L8			L41-1888-18	SMALL FIXED INDUCTOR (0.18U)	E3E4
R1			RK73GB2A104J	CHIP R 100K J 1/10W	E3E4
R3			RK73GB2A562J	CHIP R 5.6K J 1/10W	E3E4
R4			RK73GB2A332J	CHIP R 3.3K J 1/10W	E3E4
R5			RK73GB2A331J	CHIP R 330 J 1/10W	E3E4
R6			RK73GB2A391J	CHIP R 390 J 1/10W	E3E4
R7,8			RK73GB2A330J	CHIP R 33 J 1/10W	E3E4
R10			RK73GB2A431J	CHIP R 430 J 1/10W	E3E4
R11			RK73GB2A270J	CHIP R 27 J 1/10W	E3E4
R12			RK73GB2A431J	CHIP R 430 J 1/10W	E3E4

E1: DDX5022 E2: DDX5022Y E3: DNX5220BT E4: DNX5220 E5: DDX52RY (Europe)
K: DDX512 K1: DNX5120 K2: DNX512EX (North America)
X1: DDX5032 (Australia) R1: DDX5032 (Latin America)
M1: DDX5032 M2: DDX5032M (Other Areas)

The IC3, and IC11 in the DVD unit (X37-1100-03) are not replaceable components. When these ICs are defective, replace the whole DVD mechanism assembly (X92-6160-00).

PARTS LIST

DAUGHTER UNIT (X89-3062-70)

Ref. No.	A d d	N e w	Parts No.	Description	Desti- nation
R13			RK73GB2A151J	CHIP R 150 J 1/10W	E3E4
R14			RK73GB2A431J	CHIP R 430 J 1/10W	E3E4
R15			RK73GB2A270J	CHIP R 27 J 1/10W	E3E4
R17			RK73GB2A431J	CHIP R 430 J 1/10W	E3E4
D1			IMSA-6801-E	SURGE ABSORBER	E3E4
Q1			2SC3357-A	TRANSISTOR	E3E4
DVD MECHANISM ASSY (X92-6160-00) (DVS-8020V)					
1	1A		A10-5331-51	CHASSIS	
2	2B		A10-5332-51	CHASSIS	
3	1A		A10-5333-31	CHASSIS	
4	3A	*	A10-5460-02	CHASSIS	
7	1B		D10-4918-22	ARM	
8	1B		D10-4919-22	ARM	
9	1B		D10-4920-02	LEVER	
10	1B		D10-4921-02	LEVER	
12	2B		D10-4922-12	SLIDER	
13	2A	*	D10-7011-02	ARM	
14	2B		D10-4924-13	ARM	
15	2B		D10-4925-12	ARM	
25	2B	*	D10-4973-04	SLIDER ASSY	
27	2A		D10-4945-04	LEVER	
28	2B		D12-0639-02	CAM	
31	2B		D13-2402-04	GEAR	
32	2B		D13-2403-04	GEAR	
33	2B		D13-2404-04	GEAR	
34	2B		D13-2405-04	GEAR	
35	2B		D13-2406-04	GEAR	
36	2B		D13-2407-04	GEAR	
40	2A		D13-2413-04	GEAR	
41	2A		D13-2415-04	GEAR	
42	2A		D13-2416-04	GEAR	
43	1B		D14-1013-14	ROLLER	
53	1B		D21-2487-24	SHAFT	
54	2A	*	D39-0275-05	DAMPER	
55	2A	*	D39-0276-05	DAMPER	
60	3A		F09-2825-23	SHEET	
65	2B		G01-3298-04	EXTENSION SPRING	
66	1B		G01-3299-04	EXTENSION SPRING	
67	2A		G01-3300-14	TORSION COIL SPRING	
68	2B		G01-4601-04	EXTENSION SPRING	
69	1B		G01-4602-04	EXTENSION SPRING	
70	1B		G01-4604-04	TORSION COIL SPRING	
74	2B		G01-4609-14	TORSION COIL SPRING	
75	1B	*	G02-1564-03	FLAT SPRING	
79	2A	*	J22-0475-21	MOUNTING HARDWARE	
80	3B	*	J22-0636-01	MOUNTING HARDWARE	
A	1A		N09-6382-05	MACHINE SCREW (M1.7X2.0)	
B	3B		N09-6408-15	TAPTITE SCREW (1.7X4 P-TITE)	
C	1B		N09-6426-15	MACHINE SCREW (LOAD ARM SCREW)	
D	3A		N09-6104-05	MACHINE SCREW (2X10 S-TITE)	
93	2A		T99-0471-05	MAGNET	

Ref. No.	A d d	N e w	Parts No.	Description	Desti- nation
96	1B		X94-2080-00	ROLLER ASSY	
98	2A		X94-2060-00	TRAVERSE ASSY (PICKUP, SPINDLE)	
VM1	2A		X94-2070-00	MOTOR ASSY (LOADING)	

E1: DDX5022 E2: DDX5022Y E3: DNX5220BT E4: DNX5220 E5: DDX52RY (Europe) Δ Indicates safety critical components.

K: DDX512 K1: DNX5120 K2: DNX512EX (North America)

X1: DDX5032 (Australia) R1: DDX5032 (Latin America)

M1: DDX5032 M2: DDX5032M (Other Areas)