

# 9.1 PACKING

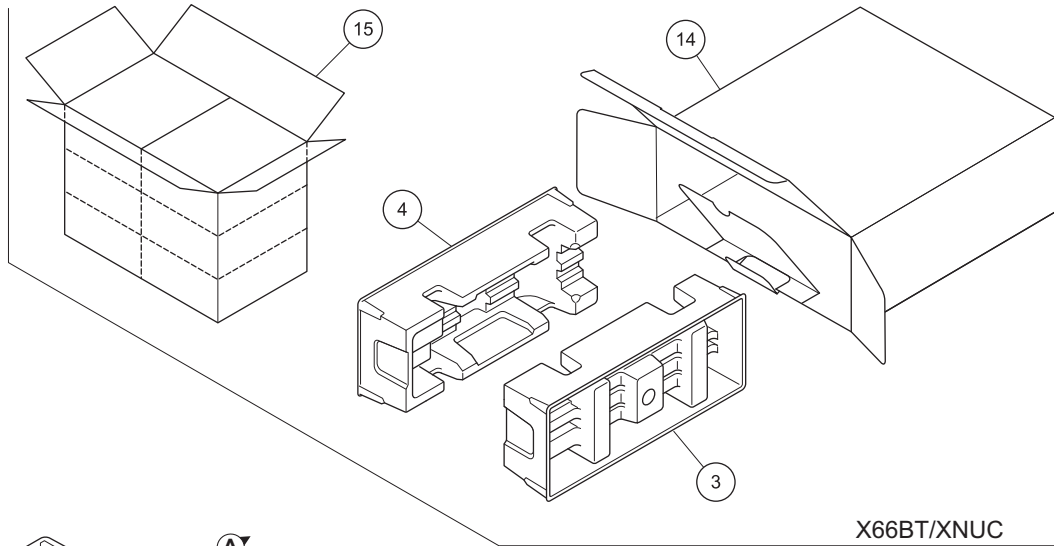
1

2

3

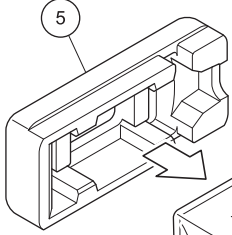
4

A



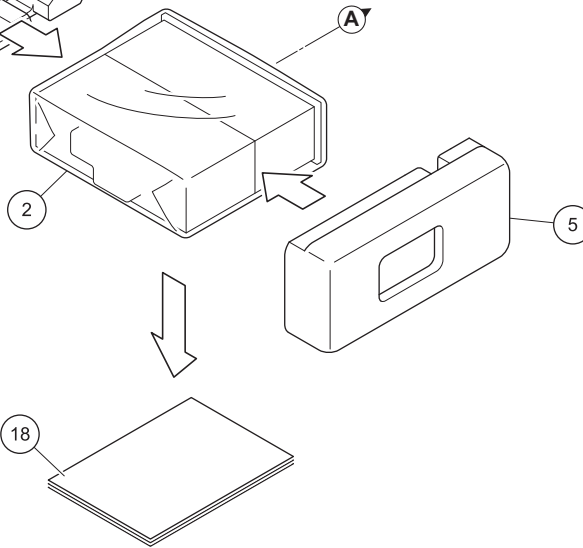
X6600BT/XNUC  
X6650BT/XNGS  
X6650BT/XNCS  
X6690BT/XNID

B



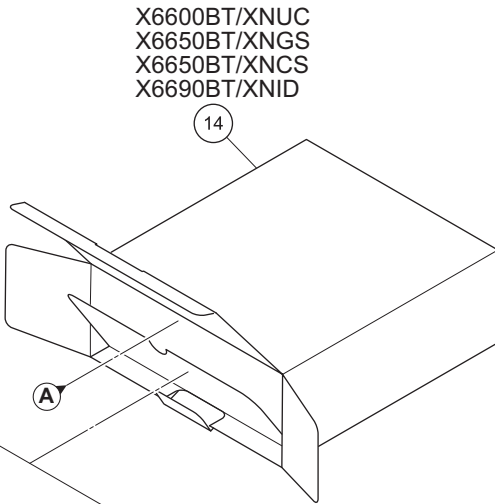
X66BT/XNUC

C



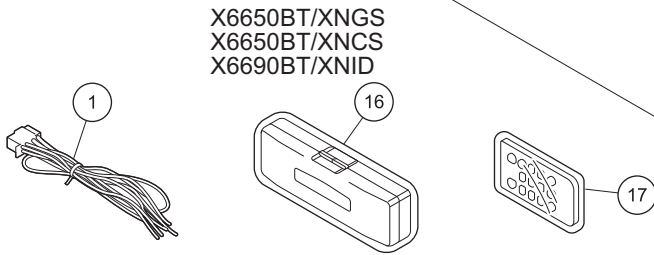
X6600BT/XNUC  
X6650BT/XNGS  
X6650BT/XNCS  
X6690BT/XNID

D



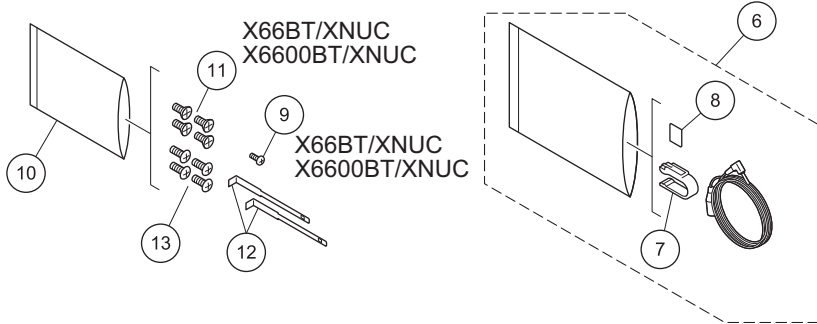
X6600BT/XNUC  
X6650BT/XNGS  
X6650BT/XNCS  
X6690BT/XNID

E



X6650BT/XNGS  
X6650BT/XNCS  
X6690BT/XNID

F



X66BT/XNUC  
X6600BT/XNUC

X66BT/XNUC  
X6600BT/XNUC

X6600BT/XNUC  
X6650BT/XNGS  
X6650BT/XNCS  
X6690BT/XNID

DEH-X66BT/XNUC

1

2

3

4

**(1) PACKING SECTION PARTS LIST**

<u>Mark No.</u>	<u>Description</u>	<u>Part No.</u>	<u>Mark No.</u>	<u>Description</u>	<u>Part No.</u>
1	Cord Assy	CDP1480	11	Screw	See Contrast table (2)
2	Polyethylene Bag	See Contrast table (2)	12	Handle	QNC3021
3	Protector	See Contrast table (2)	13	Screw	TRZ50P080FTC
4	Protector	See Contrast table (2)	14	Unit Box	See Contrast table (2)
5	Protector	See Contrast table (2)	15	Contain Box	See Contrast table (2)
6	Microphone Assy	CPM1083	16	Case Assy	See Contrast table (2)
7	Holder	CZN7192	17	Card Remote Control Unit	QXE1044
8	Cushion	CZN7193	18-1	Owner's Manual	See Contrast table (2)
9	Screw	See Contrast table (2)	* 18-2	Warranty Card	See Contrast table (2)
10	Polyethylene Bag	CEG1160	* 18-3	Service Network	See Contrast table (2)

**(2) CONTRAST TABLE**

DEH-X66BT/XNUC, DEH-X6600BT/XNUC, DEH-X6650BT/XNGS, DEH-X6650BT/XNCS and DEH-X6690BT/XNID are constructed the same except for the following:

Mark	No.	Description	DEH-X66BT/ XNUC	DEH-X6600BT/ XNUC	DEH-X6650BT/ XNGS	DEH-X6650BT/ XNCS	DEH-X6690BT/ XNID
	2	Polyethylene Bag	CEG1173	CEG1173	QEG3001	QEG3001	QEG3001
	3	Protector	CHP4103	Not used	Not used	Not used	Not used
	4	Protector	CHP4104	Not used	Not used	Not used	Not used
	5	Protector	Not used	CHP4594	CHP4594	CHP4594	CHP4594
	9	Screw	BPZ20P060FTC	BPZ20P060FTC	Not used	Not used	Not used
	11	Screw	CRZ50P090FTC	CRZ50P090FTC	Not used	Not used	Not used
	14	Unit Box	QHG3471	QHG3470	QHG3473	QHG3472	QHG3474
	15	Contain Box	QHL3471	QHL3470	QHL3473	QHL3472	QHL3474
	16	Case Assy	Not used	Not used	QXA3129	QXA3129	QXA3129
	18-1	Owner's Manual	QRD3195	QRD3195	QRD3197	QRD3196	QRB3341
*	18-2	Warranty Card	QRY3001	QRY3001	Not used	Not used	CRY1304
*	18-3	Service Network	Not used	Not used	Not used	Not used	CRY1305

**Owner's Manual, Installation Manual**

Part No.	Language
QRD3195	English, French, Spanish(Espanol)
QRD3196	English, Spanish(Espanol), Portuguese(B)
QRD3197	English, Traditional Chinese, Arabic, Persian
QRB3341	English

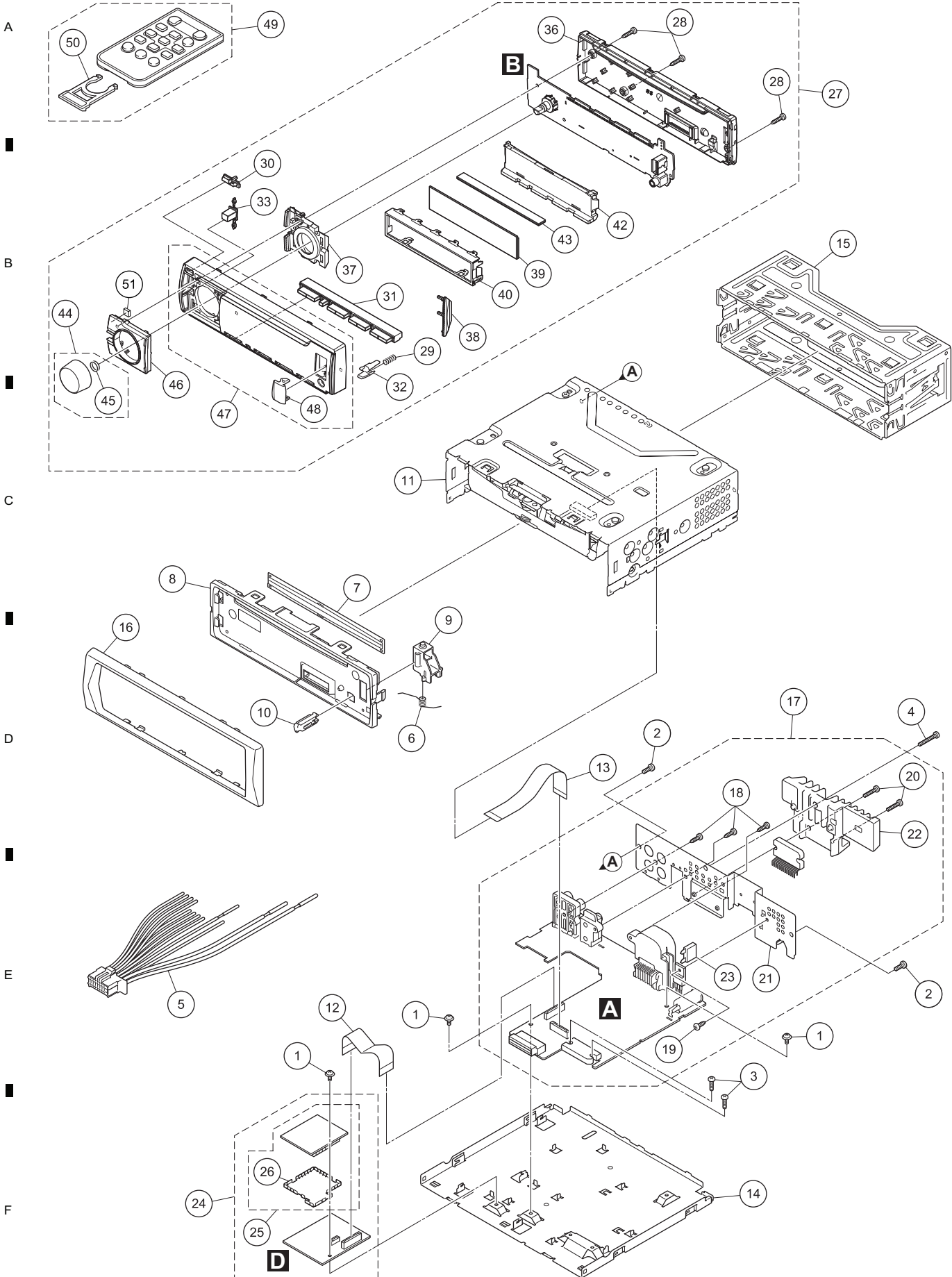
# 9.2 EXTERIOR

1

2

3

4



DEH-X66BT/XNUC


1

2

3

4

**(1) EXTERIOR SECTION PARTS LIST**

<u>Mark No.</u>	<u>Description</u>	<u>Part No.</u>	<u>Mark No.</u>	<u>Description</u>	<u>Part No.</u>
1	Screw	ASZ26P050FTC	27	Detachable Grille Assy	See Contrast table (2)
2	Screw	BSZ26P060FTC	28	Screw	BPZ20P100FTC
3	Screw	BSZ26P080FTC	29	Spring	CBH2210
4	Screw	BSZ26P120FTC	30	Button (EJECT)	QAC3131
5	Cord Assy	CDP1480	31	Button (1-6)	QAC3136
6	Spring	QBH3001	32	Button (DETACH)	QAC3137
7	Cover	QNM3029	33	Button (PHONE)	QAC3139
8	Panel	QNS3126	34	.....	
9	Arm	QNV3025	35	.....	
10	Button	QNV3026	36	Cover	QNS3615
11	CD Mechanism Module (S11.6VA)	CXK5805	37	Lighting Conductor	QNV3074
12	FFC	QDE3028	38	Lighting Conductor	QNV3075
13	FFC	QDE3029	39	Segment LCD (V1802)	CAW2041
14	Case	QNB3014	40	Holder	QNC3068
15	Holder	QNC3020	41	.....	
16	Panel	QNS3576	42	Lighting Conductor	QNV3073
17	Tuner Amp Unit	See Contrast table (2)	43	Rubber Connector	QNV3079
18	Screw	BPZ26P080FTC	44	Knob Unit	QXA3670
19	Screw	BSZ26P060FTC	45	Spring	YBL5010
20	Screw	BSZ26P120FTC	46	Button Unit	QXA3945
21	Holder	QNC3053	47	Grille Unit	See Contrast table (2)
22	Heat Sink	See Contrast table (2)	48	Door	QAT3012
 23	Fuse (10 A)	YEK5001	49	Card Remote Control Unit	QXE1044
24	BT Unit	QWM3750	50	Cover	CNS7068
25	BT Module	YWX5044	51	Cushion	QNM3097
26	Shield Case	YNC5123			

**(2) CONTRAST TABLE**

DEH-X66BT/XNUC, DEH-X6600BT/XNUC, DEH-X6650BT/XNGS, DEH-X6650BT/XNCS and DEH-X6690BT/XNID are constructed the same except for the following:

Mark	No.	Description	DEH-X66BT/ XNUC	DEH-X6600BT/ XNUC	DEH-X6650BT/ XNGS	DEH-X6650BT/ XNCS	DEH-X6690BT/ XNID
	17	Tuner Amp Unit	QWM3617	QWM3616	QWM3619	QWM3618	QWM3620
	22	Heat Sink	QNR3010	QNR3010	QNR3002	QNR3010	QNR3002
	27	Detachable Grille Assy	QXA3904	QXA3922	QXA3906	QXA3923	QXA3907
	47	Grille Unit	QXA3949	QXA3948	QXA3951	QXA3950	QXA3952



## CD MECHANISM MODULE SECTION PARTS LIST

<u>Mark No.</u>	<u>Description</u>	<u>Part No.</u>	<u>Mark No.</u>	<u>Description</u>	<u>Part No.</u>
1	.....		50	Damper	CNW1198
2	Screw	BSZ20P040FTC	51	Arm	CNW1726
3	Screw(M2 x 4)	CBA1835	52	Motor Unit(M2)(LOAD/CRG)	CXC4026
4	Washer	CBF1038	53	Screw Unit	CXC8894
5	Spring	CBH3010	54	Arm Assy	CXE6232
6	Spring	CBH2855	55	Washer	CBF1037
7	Spring	CBH2856	56	Washer	CBF1038
8	Spring	CBH2860	57	Arm	CND6242
9	Screw	BSZ26P060FTC	58	Collar	CNW2444
10	Spring	CBH3011	59	Roller	CNW2500
11	Coil Spring	CBH3095	60	Gear Unit	CXE6225
12	Spring	CBH3014	61	Washer	YE15FTC
13	Spring	CBH3015	62	Chassis Unit	CXE4528
14	Spring	CBH3016	63	Motor Unit(M1)(SPDL)	CXE2273
15	Spring	CBH3017	64	Screw	JFZ20P025FTC
16	Spring	CBH3086	65	Screw	JGZ17P022FTC
17	Spring	CBH3019	66	Screw	EBA1028
18	.....		67	CD Core Unit (S11.6VA)	CWX4269
19	Leaf Spring	CBL1824	68	Chassis	CNA3181
20	PU Unit(P11)(Service)	CXX4754			
21	Bracket	CND4553			
22	Arm	CND6406			
23	Bracket	CND6127			
24	Bracket	CND5710			
25	Lever	CND5398			
26	Sheet	CNN3678			
27	Rack	CNV8342			
28	Guide	CNW2240			
29	Roller	CNW1172			
30	.....				
31	Arm	CNW2241			
32	Roller	CNW1175			
33	.....				
34	Arm	CNW1177			
35	Arm	CNW1178			
36	Gear	CNW1180			
37	Gear	CNW1181			
38	.....				
39	Gear	CNW1183			
40	Rack	CNW1184			
41	Gear	CNW1185			
42	Gear	CNW1186			
43	Gear	CNW1187			
44	Gear	CNW2287			
45	Clamper	CNW1190			
46	Arm	CNW1192			
47	Holder	CNW1193			
48	Holder	CNW1194			
49	Damper	CNW1197			

# 12. ELECTRICAL PARTS LIST

## NOTE:

- Parts whose parts numbers are omitted are subject to being not supplied.
- The part numbers shown below indicate chip components.

Chip Resistor

RS1/○S○○○○J,RS1/○○S○○○○J

Chip Capacitor (except for CQS.....)

CKS....., CCS....., CSZS.....

- The  $\triangle$  mark found on some component parts indicates the importance of the safety factor of the part. Therefore, when replacing, be sure to use parts of identical designation.
- Meaning of the figures and others in the parentheses in the parts list.

Example) IC 301 is on the point (face A, 91 of x-axis, and 111 of y-axis) of the corresponding PC board.

IC 301 (A, 91, 111) IC NJM2068V

- The expression of the unit in this manual is shown by  $\mu$  instead of  $\mu$ . Please do not make a mistake.

<u>Circuit Symbol and No.</u>	<u>Part No.</u>	<u>Circuit Symbol and No.</u>	<u>Part No.</u>
<b>A:DEH-X66BT/XNUC</b>		IC 301 (A,78,142) IC	PA2032A
<b>B:DEH-X6600BT/XNUC</b>		IC 401 (A,150,91) IC	TDA7706
<b>C:DEH-X6650BT/XNGS</b>		IC 531 (A,94,88) IC	337S3959
<b>D:DEH-X6650BT/XNCS</b>		IC 551 (A,20,111) Regulator IC	BD9876EFJ
<b>E:DEH-X6690BT/XNID</b>		IC 552 (A,106,24) IC	BD2232G-G
<b>Unit Number : QWM3617(A)</b>		IC 601 (A,111,77) IC	R5S726A0D216FP
<b>Unit Number : QWM3616(B)</b>		IC 671 (A,131,75) IC	S-80827CNMC-B8M
<b>Unit Number : QWM3619(C)</b>		IC 681 (A,114,94) Flash ROM Unit(A,B)	PEB093A8
<b>Unit Number : QWM3618(D)</b>		(A,114,94) Flash ROM Unit(C,D,E)	PEB089A8
<b>Unit Number : QWM3620(E)</b>		IC 801 (A,105,18) L-MOS And Gate	TC7SET08FUS1
<b>Unit Name : Tuner Amp Unit</b>		IC 911 (A,145,28) Regulator IC	BA49183-V12
<b>Unit Number :</b>		Q 251 (A,14,130) Chip Transistor	RN1910
<b>Unit Name : Keyboard Unit</b>		Q 252 (A,24,131) Chip Transistor	RN1910
<b>Unit Number : CWX4269</b>		Q 301 (A,86,127) Chip Transistor	RN4983
<b>Unit Name : CD Core Unit(S11.6VA)</b>		Q 531 (A,94,97) Transistor	LSAR523UB
<b>Unit Number : QWM3750</b>		Q 601 (A,93,68) Transistor	LTC014YEB
<b>Unit Name : BT Unit</b>		Q 751 (A,142,139) Transistor	KTD2092
		Q 752 (A,141,134) Chip Transistor	RN4983
		Q 871 (A,144,59) Transistor	2SA1577
		Q 872 (A,144,67) Transistor	LTC143EUB
		Q 941 (A,96,121) Transistor	LSCR523UB
		D 401 (A,158,107) Diode	RN731VN
		D 402 (A,158,100) Diode	RN731VN
		D 551 (A,23,124) Diode	CMS03
		D 552 (A,22,104) Diode	RB056L-40
		D 601 (A,130,81) Diode(A,B)	RB751SM-40
		D 602 (A,91,75) Diode(A,B)	RB551VM-30
		D 751 (A,137,135) Diode	DZ2J082M0
		D 801 (A,105,15) Diode	DZ2S068C
		D 802 (A,93,17) Diode	DZ2S068C
		D 803 (A,126,15) Diode	DZ2S068C
		D 804 (A,119,14) Diode	DZ2S068C
		D 805 (A,120,13) Diode	DZ2S068C
		D 806 (A,116,13) Diode	DZ2S068C
		D 807 (A,114,13) Diode	DZ2S068C
		D 808 (A,117,13) Diode	DZ2S068C
		D 809 (A,112,13) Diode	DZ2S068C
		D 901 (A,141,127) Diode	1SR154-400
		D 902 (A,137,127) Diode	1SR154-400
		D 911 (A,158,66) Diode	CRG03

## MISCELLANEOUS

IC 201 (A,102,107) LSI

PM9013A

	1	2	3	4
	<u>Circuit Symbol and No.</u>	<u>Part No.</u>	<u>Circuit Symbol and No.</u>	<u>Part No.</u>
	D 912 (A,161,66) Diode	CRG03	(A,139,104) (C,E)	RS1/16SS331J
	D 941 (A,93,125) Diode	DZ2J068M0	R 404 (A,142,99)	RS1/16SS105J
	L 202 (A,94,102) Inductor	CTF1793	R 406 (A,154,108)	RS1/16SS105J
A	L 401 (A,155,104) Chip Coil	LCTAWR27J2520		
	L 402 (A,159,104) Chip Coil	LCTAWR15J2520	R 407 (A,139,96)	RS1/16SS330J
			R 408 (A,137,97) (A,B,D)	RS1/16SS471J
	L 403 (A,151,102) Inductor	CTF1786	(A,137,97) (C,E)	RS1/16SS361J
	L 404 (A,146,102) Inductor	CTF1786	R 409 (A,144,98) (C,E)	RS1/16SS0R0J
	L 405 (A,151,108) Inductor(A,B,D)	LCYB68NJ1608		
	L 406 (A,148,105) Inductor(A,B,D)	CTF1389	R 411 (A,138,91) (A,B,D)	RS1/16SS681J
			(A,138,91) (C,E)	RS1/16SS391J
	L 407 (A,147,107) Chip Coil(C,E)	LCTAWR27J2520	R 412 (A,153,78)	RS1/4SA8R2J
	L 408 (A,141,104) Inductor(A,B,D)	LCTC4R7K1608	R 413 (A,158,78)	RS1/4SA8R2J
	(A,141,104) Inductor(C,E)	LCTC1R5K1608	R 414 (A,139,87)	RS1/16SS0R0J
	L 409 (A,143,109) Chip Coil(C,E)	LCTAWR39J2520	R 415 (A,152,80)	RS1/16SS0R0J
B	L 410 (A,137,94) Chip Coil(A,B,D)	LCTAW470J2520	R 531 (A,91,94)	RS1/16SS473J
	(A,137,94) Inductor(C,E)	LCTAW2R2J2520	R 532 (A,91,85)	RS1/16SS222J
	L 413 (A,144,82) Inductor	CTF1786	R 533 (A,92,85)	RS1/16SS222J
	L 419 (A,161,95) Inductor	CTF1786	R 534 (A,94,92)	RS1/16SS272J
	L 420 (A,161,96) Inductor	CTF1786	R 535 (A,95,92)	RS1/16SS472J
	L 551 (A,30,107) Inductor	CTH1524		
			R 536 (A,96,92)	RS1/16SS472J
	L 801 (A,115,17) Inductor	CTF1713	R 537 (A,96,85)	RS1/16SS101J
	L 901 (A,112,141) Choke Coil 600 uH	CTH1432	R 538 (A,96,84)	RS1/16SS101J
	X 401 (A,161,88) Crystal Resonator 36.48 MHz	CSS1848	R 551 (A,26,111)	RS1/16SS682J
	X 601 (A,127,76) Crystal Resonator 12 MHz	CSS1847	R 552 (A,30,112)	RS1/16SS0R0J
	X 603 (A,123,92) Resonator 16.93 MHz	CSS1794		
			R 553 (A,27,112)	RS1/16SS1803D
C	⚠ P251 (A,6,130) Fuse 3.0 A	CEK1386	R 554 (A,27,110)	RS1/16SS4302D
	P 402 (A,156,111) Surge Absorber	HSPC16701B02	R 555 (A,39,124)	RS1/10SR471J
	VA801 (A,108,13) SMD Varistor	MLV0402ES012V0010N	R 601 (A,101,66)	RS1/16SS473J
	VA802 (A,101,13) SMD Varistor	MLV0402ES012V0010N	R 602 (A,107,63)	RS1/16SS473J
	CN701 (A,114,32) Connector	VKN1192		
			R 603 (A,109,62)	RS1/16SS473J
	CN801 (A,109,4) Connector	CKS6452	R 609 (A,122,64)	RS1/16SS473J
	CN971 (A,93,49) Connector	VKN1192	R 610 (A,122,70)	RS1/16SS473J
	JA251 (A,19,138) Pin Jack	CKB1099	R 611 (A,123,69)	RS1/16SS473J
	JA401 (A,158,129) Antenna Jack	YKS5041	R 613 (A,122,76)	RS1/16SS152J
	JA892 (A,42,141) Jack	YKS5035		
			R 614 (A,123,78)	RS1/16SS473J
	JA901 (A,114,141) Connector	CKM1613	R 615 (A,130,79)	RS1/16SS473J
D	⚠ Fuse 10 A	YEK5001	R 616 (A,125,67)	RS1/16SS473J
			R 617 (A,131,81)	RS1/16SS103J
			R 618 (A,125,82) (B,D)	RS1/16SS473J
			(A,125,82) (E)	RS1/16SS103J
			R 619 (A,126,82) (A,C,E)	RS1/16SS473J
			R 622 (A,125,87)	RS1/16SS473J
			R 623 (A,130,85)	RAB4CQ473J
			R 624 (A,120,89)	RS1/16SS222J
			R 625 (A,114,90)	RS1/16SS221J
			R 626 (A,113,90)	RS1/16SS221J
			R 627 (A,112,88)	RS1/16SS221J
E	R 256 (A,19,131)	RS1/16SS821J	R 628 (A,111,90)	RS1/16SS221J
	R 257 (A,28,131)	RS1/16SS223J	R 629 (A,109,92)	RS1/16SS221J
	R 258 (A,22,131)	RS1/16SS223J	R 630 (A,110,89)	RS1/16SS221J
	R 301 (A,68,127)	RS1/16SS471J	R 631 (A,108,92)	RS1/16SS473J
	R 302 (A,82,125)	RS1/16SS471J		
			R 632 (A,106,91)	RS1/16SS473J
	R 303 (A,74,127)	RS1/16SS471J	R 633 (A,107,90)	RS1/16SS101J
	R 304 (A,78,126)	RS1/16SS471J	R 634 (A,103,88)	RS1/16SS102J
	R 305 (A,90,127)	RS1/16SS103J	R 635 (A,102,88)	RS1/16SS102J
	R 306 (A,90,129)	RS1/16SS221J	R 636 (A,100,91)	RS1/16SS473J
	R 307 (A,89,128)	RS1/16SS223J		
			R 637 (A,101,90)	RS1/16SS473J
	R 309 (A,89,125)	RS1/16SS103J	R 638 (A,104,92)	RS1/16SS473J
	R 310 (A,100,129)	RS1/16SS0R0J	R 639 (A,98,91)	RS1/16SS472J
	R 311 (A,88,125)	RS1/16SS473J	R 640 (A,99,91)	RS1/16SS472J
F	R 401 (A,161,106)	RS1/16SS221J	R 643 (A,99,82)	RS1/16SS104J
	R 402 (A,161,100)	RS1/16SS751J		
	R 403 (A,139,104) (A,B,D)	RS1/16SS391J		

## RESISTORS

5		6		7		8		
<u>Circuit Symbol and No.</u>		<u>Part No.</u>		<u>Circuit Symbol and No.</u>		<u>Part No.</u>		
R 644	(A,98,79)	RS1/16SS101J		R 891	(A,58,138)	RS1/16SS102J		
R 645	(A,96,79)	RS1/16SS101J		R 892	(A,58,136)	RS1/16SS102J		
R 646	(A,93,75)	RS1/16SS103J		R 911	(A,145,40)	RS1/10SR1R0J		
R 647	(A,98,78)	RS1/16SS101J		R 912	(A,141,41)	RS1/10SR1R0J	A	
R 648	(A,95,76)	RS1/16SS102J		R 913	(A,154,41)	RS1/16SS223J		
R 649	(A,95,75)	RS1/16SS102J		R 914	(A,131,40)	RS1/16SS223J		
R 650	(A,95,74)	RS1/16SS102J		R 941	(A,94,121)	RS1/16SS223J		
R 651	(A,97,71)	RS1/16SS473J		R 942	(A,94,122)	RS1/16SS473J		
R 652	(A,98,69)	RS1/16SS222J		R 943	(A,95,125)	RS1/16SS682J		
R 653	(A,100,66)	RS1/16SS103J		R 944	(A,99,123)	RS1/4SA102J		
R 659	(A,124,61)	RS1/16SS153J		R 973	(A,90,63)	RS1/16SS222J		
R 660	(A,124,60)	RS1/16SS153J		R 974	(A,98,55)	RS1/16SS101J		
R 664	(A,133,62)	RS1/16SS103J		R 975	(A,98,54)	RS1/16SS101J		
R 668	(A,93,71)	RS1/16SS473J		R 976	(A,98,52)	RS1/16SS101J		
R 669	(A,95,69)	RS1/16SS473J					B	
R 671	(A,130,69)	RS1/16SS104J		<b>CAPACITORS</b>				
R 681	(A,109,97)	RS1/16SS473J		C 201	(A,96,115)	CKSRYB105K10		
R 682	(A,110,91)	RS1/16SS473J		C 202	(A,105,116)	CKSRYB105K10		
R 683	(A,120,92)	RS1/16SS473J		C 203	(A,92,116)	CKSRYB105K10		
R 684	(A,109,94)	RS1/16SS473J		C 204	(A,107,115)	CKSRYB105K10		
R 685	(A,120,96)	RS1/16SS473J		C 205	(A,94,116)	CKSRYB105K10		
R 701	(A,108,38)	RS1/16SS473J		C 206	(A,107,114)	CKSRYB105K10		
R 702	(A,114,38)	RS1/16SS104J		C 207	(A,95,108)	CKSSYB104K10		
R 703	(A,118,28)	RAB4CQ472J		C 208	(A,94,106)	CKSSYB104K10		
R 704	(A,110,40)	RS1/16SS104J		C 209	(A,93,104) 10 uF	CCG1192		
R 706	(A,108,36)	RS1/16SS221J		C 210	(A,96,106)	CCSSCH151J50	C	
R 707	(A,109,38)	RS1/16SS221J		C 211	(A,110,107)	CCSSCH151J50		
R 708	(A,110,38)	RS1/16SS101J		C 212	(A,108,109) 10 uF	CCG1192		
R 709	(A,111,38)	RS1/16SS221J		C 213	(A,108,106)	CKSSYB104K10		
R 710	(A,112,38)	RS1/16SS101J		C 214	(A,108,104)	CKSSYB104K10		
R 711	(A,114,39)	RS1/16SS102J		C 215	(A,108,102)	CKSSYB104K10		
R 715	(A,117,36)	RS1/16SS151J		C 216	(A,92,101) 10 uF	CCG1192		
R 716	(A,118,36)	RS1/16SS151J		C 217	(A,95,100)	CKSSYB104K10		
R 717	(A,119,36)	RS1/16SS151J		C 218	(A,114,109)	XCEVW470M16		
R 718	(A,123,36)	RS1/16SS221J		C 219	(A,112,103) 10 uF	CCG1192		
R 719	(A,122,36)	RS1/16SS104J		C 220	(A,106,98) 10 uF	CCG1192	D	
R 752	(A,144,134)	RS1/4SA391J		C 223	(A,91,101)	CKSSYB102K50		
R 753	(A,127,91)	RS1/16SS473J		C 224	(A,115,103)	CKSSYB104K10		
R 754	(A,127,92)	RS1/16SS103J		C 229	(A,110,112)	CKSSYB102K50		
R 801	(A,125,22)	RS1/10SR222J		C 236	(A,110,104)	CKSRYB105K10		
R 802	(A,104,15)	RS1/10SR222J		C 251	(A,35,128) 4.7 uF	CCG1201		
R 803	(A,121,18)	RS1/16SS223J		C 252	(A,17,127) 4.7 uF	CCG1201		
R 804	(A,119,18)	RS1/16SS223J		C 253	(A,17,130)	CCSSCH101J50		
R 805	(A,121,19)	RS1/10SR101J		C 254	(A,11,130)	CCSSCH101J50		
R 806	(A,118,20)	RS1/10SR101J		C 255	(A,35,132) 4.7 uF	CCG1201		
R 807	(A,120,20)	RS1/10SR101J		C 256	(A,31,130) 4.7 uF	CCG1201		
R 808	(A,124,20)	RS1/10SR222J		C 257	(A,26,131)	CCSSCH101J50	E	
R 809	(A,115,21)	RS1/10SR220J		C 258	(A,21,131)	CCSSCH101J50		
R 810	(A,114,21)	RS1/10SR220J		C 260	(A,33,138)	CKSSYB104K10		
R 811	(A,117,20)	RS1/10SR222J		C 261	(A,6,133)	CKSSYB103K16		
R 812	(A,113,21)	RS1/10SR222J		C 301	(A,69,129)	CKSRYB224K16		
R 813	(A,107,16)	RS1/10SR222J		C 303	(A,80,129)	CKSRYB224K16		
R 814	(A,101,19)	RS1/10SR222J		C 305	(A,72,129)	CKSRYB224K16		
R 815	(A,100,19)	RS1/16SS822J		C 307	(A,77,129)	CKSRYB224K16		
R 816	(A,96,19)	RS1/10SR222J		C 313	(A,84,130)	CKSRYB105K16		
R 817	(A,95,19)	RS1/10SR222J		C 314	(A,135,126)	CKSRYB104K16		
R 851	(A,93,20)	RS1/16SS472J		C 317	(A,60,129)	XCEVW100M16	F	
R 871	(A,143,65)	RS1/10SR332J		C 319	(A,62,134)	CCSSCH101J50		
R 872	(A,143,62)	RS1/16SS103J		C 320	(A,64,134)	CCSSCK1R0C50		
R 878	(A,124,26)	RS1/10SR473J		C 321	(A,83,129)	CCSSCH101J50		

	1	2	3	4
	<u>Circuit Symbol and No.</u>	<u>Part No.</u>	<u>Circuit Symbol and No.</u>	<u>Part No.</u>
	C 322 (A,106,126)	CKSRYB104K16	C 467 (A,151,81) (C,E)	CKSSYB104K10
	C 323 (A,106,129)	CCSRCH100D50	C 468 (A,142,79) (C,E)	CKSRYB105K10
A	C 324 (A,102,129)	CCSRCH100D50	C 531 (A,91,93)	CKSSYB104K10
	C 325 (A,94,132)	CCSRCH100D50	C 532 (A,94,93)	CKSSYB104K10
	C 326 (A,95,140)	CCSRCH100D50	C 551 (A,13,121)	XCEVW221M16
	C 327 (A,88,129)	CKSRYB105K10	C 552 (A,13,107)	CKSRYB105K16
	C 401 (A,154,100)	CKSSYB104K10	C 553 (A,15,110)	CKSSYB103K16
	C 402 (A,155,101)	CKSSYB103K16	C 555 (A,25,112)	CKSSYB682K25
	C 403 (A,153,102)	CKSRYB105K10	C 556 (A,32,120)	CEVQW221M6R3
	C 405 (A,162,101)	CKSSYB103K16	C 557 (A,33,116)	CKSRYB105K10
	C 406 (A,160,101)	CKSSYB103K16	C 560 (A,108,21)	CKSRYB105K10
	C 408 (A,161,105)	CKSSYB103K16	C 561 (A,103,24)	CKSRYB105K10
	C 409 (A,157,105)	CCSSCH6R0D50	C 564 (A,33,114) 4.7 uF	CCG1201
B	C 410 (A,155,107)	CCSSCH330J50	C 565 (A,16,107) 4.7 uF	CCG1222
	C 411 (A,148,99)	CKSSYB103K16	C 601 (A,105,66)	CKSSYB104K10
	C 412 (A,148,101)	CKSSYB104K10	C 602 (A,109,65)	CKSSYB104K10
	C 413 (A,150,101)	CKSSYB104K10	C 603 (A,111,65)	CKSSYB104K10
	C 414 (A,146,100)	CKSSYB103K16	C 604 (A,113,65)	CKSSYB104K10
	C 415 (A,144,101) 10 uF	CCG1192	C 605 (A,117,65)	CKSSYB104K10
	C 416 (A,147,100)	CKSSYB104K10	C 606 (A,122,71)	CKSSYB104K10
	C 418 (A,142,101)	CKSSYB223K16	C 607 (A,127,73)	CCSSCH120J50
	C 419 (A,147,110) (C,E)	CCSSCH150J50	C 608 (A,127,78)	CCSSCH120J50
	C 420 (A,151,106) (C,E)	CKSSYB103K16	C 609 (A,122,73)	CKSSYB104K10
	C 421 (A,154,111) (A,B,D)	CCSSCJ3R0C50	C 610 (A,122,75)	CKSSYB104K10
C	C 423 (A,144,106) (C,E)	CCSSCH8R0D50	C 611 (A,122,77)	CKSSYB104K10
	C 424 (A,141,101)	CKSSYB103K16	C 612 (A,123,82)	CKSSYB104K10
	C 425 (A,139,99) 10 uF	CCG1192	C 613 (A,124,82)	CKSSYB104K10
	C 426 (A,140,97)	CKSSYB104K10	C 618 (A,123,89)	CCSSCH120J50
	C 427 (A,144,97)	CKSSYB104K10	C 619 (A,123,94)	CCSSCH120J50
	C 428 (A,137,96) (A,B,D)	CCSSCH101J50	C 620 (A,114,88)	CKSSYB104K10
	(A,137,96) (C,E)	CCSSCH220J50	C 621 (A,109,88)	CKSSYB104K10
	C 429 (A,136,96)	CKSSYB103K16	C 622 (A,106,93)	CCSSCH220J50
	C 430 (A,139,90)	CKSSYB102K50	C 623 (A,106,88)	CKSSYB104K10
	C 432 (A,138,92) (A,B,D)	CCSSCH820J50	C 624 (A,105,88)	CKSSYB104K10
	(A,138,92) (C,E)	CCSSCK2R0C50	C 625 (A,104,90)	CKSSYB104K10
	C 433 (A,136,91)	CKSSYB102K50	C 626 (A,100,80)	CKSSYB104K10
D	C 435 (A,139,86) (A,B,D)	CKSRYB474K10	C 627 (A,97,81)	CCSSCH220J50
	(A,139,86) (C,E)	CKSRYB105K10	C 628 (A,96,81)	CCSSCH220J50
	C 439 (A,145,80) (C,E)	CKSRYB104K16	C 629 (A,99,75)	CKSSYB104K10
	C 440 (A,142,86)	CKSSYB102K50	C 630 (A,99,73)	CKSSYB104K10
	C 441 (A,137,89)	CCSSCH100D50	C 631 (A,97,77)	CCSSCH220J50
	C 442 (A,146,83)	CKSSYB104K10	C 672 (A,123,73) 1 uF	DCH1246
	C 444 (A,152,82) 2.2 uF	CCG1218	C 681 (A,121,96)	CKSSYB104K10
	C 445 (A,157,82) (A,B,D)	CKSSYB104K10	C 683 (A,120,94)	CCSSCJ3R0C50
	C 447 (A,157,83) (A,B,D)	CKSRYB105K10	C 701 (A,111,40)	CKSSYB103K16
	C 448 (A,158,85) (A,B,D)	CKSSYB104K10	C 704 (A,120,39)	CCSSCH100D50
	(A,158,85) (C,E)	CKSSYB103K16	C 705 (A,118,39)	CCSSCH100D50
E	C 449 (A,161,85)	CCSSCH9R0D50	C 706 (A,117,38)	CCSSCH100D50
	C 450 (A,161,90)	CCSSCH9R0D50	C 752 (A,140,136)	CKSSYB104K10
	C 451 (A,159,91)	CKSSYB104K10	C 753 (A,147,130) 4.7 uF	CCG1201
	C 452 (A,159,94)	CKSRYB105K10	C 801 (A,124,6)	CCSRCH221J50
	C 453 (A,160,96)	CKSSYB104K10	C 806 (A,125,8)	CKSRYB104K16
	C 455 (A,159,97)	CKSRYB224K16	C 807 (A,122,14)	CKSRYB105K10
	C 456 (A,162,92)	CKSSYB472K25	C 808 (A,108,19)	CKSRYB104K16
	C 457 (A,162,93)	CKSSYB472K25	C 809 (A,97,16)	CCSRCH221J50
	C 459 (A,154,83) (A,B,D)	CCSSCH101J50	C 810 (A,96,13)	CCSRCH221J50
	(A,154,83) (C,E)	CKSSYB102K50	C 811 (A,104,20)	CKSSYB104K10
F	C 461 (A,145,104) (A,B,D)	CKSSYB104K10	C 873 (A,124,24)	CKSRYB104K16
	C 464 (A,162,98) 1 uF(C,E)	DCH1246	C 891 (A,52,138)	CKSRYB104K16
	C 465 (A,142,106) (C,E)	CKSSYB103K16	C 892 (A,34,139)	CKSRYB104K16
	C 466 (A,137,79) (C,E)	CKSRYB105K10		

5		6		7		8	
<u>Circuit Symbol and No.</u>		<u>Part No.</u>		<u>Circuit Symbol and No.</u>		<u>Part No.</u>	
C 893	(A,34,135)	CKSRYP102K50		S 1842	(A,15,33) Push Switch	CSG1155	
C 894	(A,52,134)	CKSRYP102K50		CN1911	(A,155,26) Connector	CKS6443	
C 901	(A,133,124) 2 200 uF/16 V	CCH2040		CN1931	(B,109,10) Connector	CKS6451	
C 912	(A,152,40)	CKSSYP102K50		JA1921	(A,156,11) Jack	YKN5006	A
C 913	(A,131,43)	CKSSYP102K50		V 1802	(A,53,32) Segment LCD	CAW2041	
C 914	(A,156,56)	XCEAT102M16		<b>RESISTORS</b>			
C 915	(A,132,42)	CKSRYP104K16		R 1809	(B,76,10)	RS1/16SS473J	
C 916	(A,147,43) 4.7 uF	CCG1201		R 1810	(B,63,21)	RS1/16SS103J	
C 917	(A,145,46)	CKSSYP102K50		R 1824	(B,32,31)	RS1/16SS273J	
C 919	(A,151,42) 4.7 uF	CCG1201		R 1851	(B,50,16)	RS1/10SR222J	
C 921	(A,135,42) 4.7 uF	CCG1201		R 1852	(B,48,16)	RS1/10SR222J	
C 923	(A,159,41) 4.7 uF	CCG1201		R 1853	(B,52,9)	RS1/10SR222J	
C 926	(A,140,44) 4.7 uF	CCG1201		R 1854	(B,41,18)	RAB4CQ102J	B
C 927	(A,140,42)	CKSSYP102K50		R 1855	(B,42,22)	RAB4CQ102J	
C 941	(A,96,124)	CKSRYP104K16		R 1856	(B,26,10)	RS1/16SS101J	
C 969	(A,135,113) 10 uF	CCG1192		R 1857	(B,28,8)	RS1/16SS101J	
C 973	(A,98,53)	CCSSCH470J50		R 1858	(B,13,13)	RS1/16SS101J	

## B

**Unit Number :**

**Unit Name : Keyboard Unit**

### MISCELLANEOUS

IC 1802	(B,84,22) IC	PDC202B	
IC 1851	(B,47,21) IC	BH2228FV	
IC 1941	(A,155,39) IR RC REC Module	PNJ4833M	
Q 1851	(B,31,8) Chip Transistor	HN1C01FU	
Q 1852	(B,32,11) Chip Transistor	HN1C01FU	
Q 1853	(B,56,24) Chip Transistor	HN1C01FU	
Q 1857	(B,20,9) Transistor	LSCR523UB	
Q 1858	(B,12,10) Transistor	LSCR523UB	
Q 1859	(B,12,24) Transistor	LSCR523UB	
Q 1866	(B,110,26) Transistor	LSCR523UB	
Q 1867	(B,120,26) Transistor	LSCR523UB	
Q 1868	(B,128,27) Transistor	LSCR523UB	
D 1882	(A,9,20) LED	SMLVN6RGB2UK(B)	
D 1883	(A,41,20) LED	SMLVN6RGB2UK(B)	
D 1884	(A,162,26) LED	SMLVN6RGB2UK(B)	
D 1885	(A,148,23) LED	SMLVN6RGB2UK(B)	
D 1886	(A,47,23) LED	SMLVN6RGB2UK(B)	
L 1921	(B,136,11) Inductor	CTF1389	
L 1922	(B,131,6) Inductor	CTF1389	
L 1923	(B,140,7) Inductor	CTF1389	
X 1801	(B,69,22) Ceramic Resonator 5.00 MHz	CSS1547	
S 1821	(A,51,5) Push Switch	CSG1155	
S 1822	(A,11,41) Push Switch	CSG1155	
S 1823	(A,67,5) Push Switch	CSG1155	
S 1824	(A,15,5) Push Switch	CSG1155	
S 1826	(A,5,20) Push Switch	CSG1155	
S 1828	(A,35,33) Push Switch	CSG1155	
S 1830	(A,25,19) Encoder(MULTI-CONTROL)	CSD1168	
S 1832	(A,35,5) Push Switch	CSG1155	
S 1834	(A,76,5) Push Switch	CSG1155	
S 1835	(A,146,5) Push Switch	CSG1155	
S 1836	(A,123,5) Push Switch	CSG1155	
S 1837	(A,130,5) Push Switch	CSG1155	
S 1838	(A,99,5) Push Switch	CSG1155	
S 1839	(A,107,5) Push Switch	CSG1155	
S 1840	(A,83,5) Push Switch	CSG1155	

### CAPACITORS

R 1864	(B,17,8)	RS1/16SS680J	
R 1866	(B,11,20)	RS1/16SS680J	
R 1868	(B,115,25)	RS1/16SS680J	C
R 1870	(B,125,27)	RS1/16SS680J	
R 1872	(B,131,26)	RS1/16SS680J	
R 1931	(B,74,6)	RS1/10SR222J	
R 1932	(B,78,6)	RS1/10SR222J	
R 1944	(B,144,27)	RS1/10SR101J	
C 1801	(B,78,12)	CKSSYP104K10	
C 1802	(B,77,12)	CKSSYP104K10	
C 1803	(B,79,12)	CKSSYP104K10	D
C 1804	(B,72,21)	CKSRYP105K10	
C 1805	(B,72,23)	CKSSYP104K10	
C 1854	(B,52,23)	CKSSYP103K16	
C 1855	(B,52,24)	CKSRYP105K10	
C 1911	(B,164,34)	CKSRYP104K16	
C 1912	(B,140,16)	CKSRYP104K16	
C 1941	(B,144,29) 10 uF	CCG1192	

## C

**Unit Number : CWX4269**

**Unit Name : CD Core Unit(S11.6VA)**

### MISCELLANEOUS

IC 201	(B,24,38) IC	PEQ094A	
IC 301	(A,37,12) IC	BD8223EFV	
Q 101	(B,12,54) Transistor	2SA1577	
Q 102	(B,16,55) Chip Digital Transistor	LTA123JUB	
X 201	(B,25,50) Ceramic Resonator 16.934 MHz	CSS1603	
S 901	(A,43,54) Spring Switch(HOME)	CSN1080	
S 903	(B,22,13) Spring Switch(DSCSNS)	CSN1081	F
CN101	(A,17,58) Connector	CKS4808	
CN701	(A,26,30) Connector	CKS6146	

**Circuit Symbol and No.**

**Part No.**

**Circuit Symbol and No.**

**Part No.**

**RESISTORS**

A	R 101	(B,7,59)	RS1/10SR2R4J
	R 102	(B,8,59)	RS1/10SR2R4J
	R 103	(B,10,59)	RS1/10SR2R7J
	R 108	(B,14,58)	RS1/16SS105J
	R 109	(B,15,50)	RS1/16SS152J
	R 214	(B,18,28)	RS1/16SS103J
	R 215	(B,17,28)	RS1/16SS393J
	R 216	(B,13,36)	RS1/16SS102J
	R 217	(B,10,33)	RS1/16SS562J
	R 218	(B,10,36)	RS1/16SS472J
	R 229	(B,13,35)	RS1/16SS471J
	R 232	(A,31,55)	RS1/16SS0R0J
B	R 237	(B,34,45)	RS1/16SS221J
	R 240	(B,35,40)	RS1/16SS473J
	R 245	(A,34,46)	RS1/16SS104J
	R 254	(A,37,56)	RS1/16SS104J
	R 260	(B,30,27)	RS1/16SS103J
	R 264	(A,22,9)	RS1/16SS102J
	R 281	(B,34,38)	RS1/16SS560J
	R 282	(B,34,39)	RS1/16SS560J
	R 291	(B,34,35)	RS1/16SS560J
	R 294	(B,28,49)	RS1/16SS471J
	R 303	(A,28,12)	RS1/16SS123J
C	R 304	(A,29,11)	RS1/16SS123J
	R 305	(A,27,9)	RS1/16SS102J
	R 306	(A,27,12)	RS1/16SS472J
	R 307	(A,26,9)	RS1/16SS102J
	R 308	(A,26,12)	RS1/16SS472J
	R 309	(A,35,7)	RS1/16SS473J
	R 310	(B,31,9)	RS1/16SS472J
	R 311	(B,31,10)	RS1/16SS472J
	R 312	(B,31,11)	RS1/16SS472J
	R 313	(B,31,12)	RS1/16SS472J
	R 701	(A,22,38)	RS1/16SS101J
D	R 702	(A,24,38)	RS1/16SS101J
	R 706	(A,33,42)	RS1/16SS221J

**CAPACITORS**

	C 104	(B,15,52)	CKSQYB475K6R3
	C 110	(B,11,44)	CKSSYB104K10
	C 111	(B,12,44)	CKSSYB103K16
	C 203	(B,22,47)	CKSSYB104K10
	C 205	(A,17,41)	CKSRYB105K10
E	C 209	(B,29,48)	CKSRYB104K16
	C 210	(B,33,44)	CKSSYB104K10
	C 211	(B,34,42)	CKSSYB104K10
	C 212	(B,23,29)	CKSSYB104K10
	C 213	(B,18,26)	CKSSYB332K50
	C 214	(B,17,26)	CKSSYB473K16
	C 215	(B,19,29)	CKSSYB104K10
	C 216	(B,13,33)	CKSSYB152K50
	C 217	(B,10,35)	CCSSCH390J50
	C 218	(B,10,37)	CCSSCH5R0C50
F	C 219	(B,14,35)	CKSSYB104K10
	C 220	(A,18,39)	CKSSYB104K10
	C 221	(B,14,32)	CKSSYB104K10
	C 222	(B,14,37)	CKSSYB104K10
	C 223	(B,13,42)	CCSSCH680J50

C 224	(B,14,45)	CCSSCH470J50
C 225	(B,14,47)	CKSSYB103K16
C 228	(B,10,34)	CCSSCH180J50
C 229	(B,9,41)	CKSSYB104K10
C 233	(B,33,46)	CKSSYB103K16
C 236	(B,8,41)	CKSSYB104K10
C 238	(A,26,45)	CKSRYB104K16
C 299	(A,26,43)	CKSSYB104K10
C 302	(B,29,12)	CKSSYB102K50
C 303	(B,30,12)	CKSSYB102K50
C 304	(B,28,12)	CKSSYB223K16
C 305	(B,27,12)	CKSSYB104K10
C 306	(A,32,7)	CKSSYB104K10
C 307	(A,42,19)	CKSRYB105K10
C 308	(A,32,16)	CKSRYB105K10
C 710	(A,34,43)	CKSSYB102K50

**D**

**Unit Number : QWM3750**  
**Unit Name : BT Unit**

**MISCELLANEOUS**

IC 21	(A,8,48) Regulator IC	S-1172B18-E6
IC 22	(A,21,46) IC	S-1206B33-U3
CN21	(A,34,27) Connector	CKS6346
CN23	(A,42,44) Connector	CKS3857

**RESISTORS**

R 28	(A,42,31)	RS1/10SR222J
R 29	(A,30,41)	RS1/10SR102J
R 30	(A,30,37)	RS1/10SR102J
R 38	(A,42,17)	RS1/10SR0R0J
R 39	(A,41,23)	RS1/10SR221J
R 40	(A,40,23)	RS1/10SR221J
R 41	(A,38,23)	RS1/10SR221J

**CAPACITORS**

C 23	(A,24,40)	XCEVW221M4
C 24	(A,7,44)	CKSRYB105K10
C 26	(A,27,48) 10 uF	CCG1192
C 29	(A,17,45)	CKSRYB105K10
C 33	(A,9,54) 10 uF	CCG1192
C 34	(A,42,30)	CKSRYB105K10
C 36	(A,32,40)	CKSRYB104K16
C 38	(A,15,46) 10 uF	CCG1192
C 39	(A,6,42) 10 uF	CCG1192