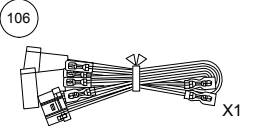
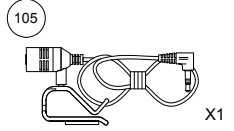
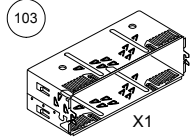
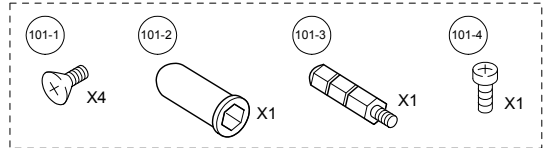
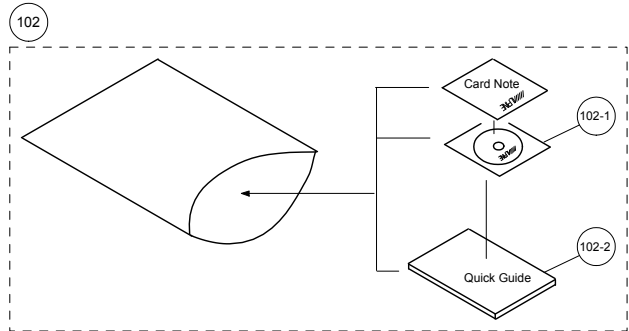
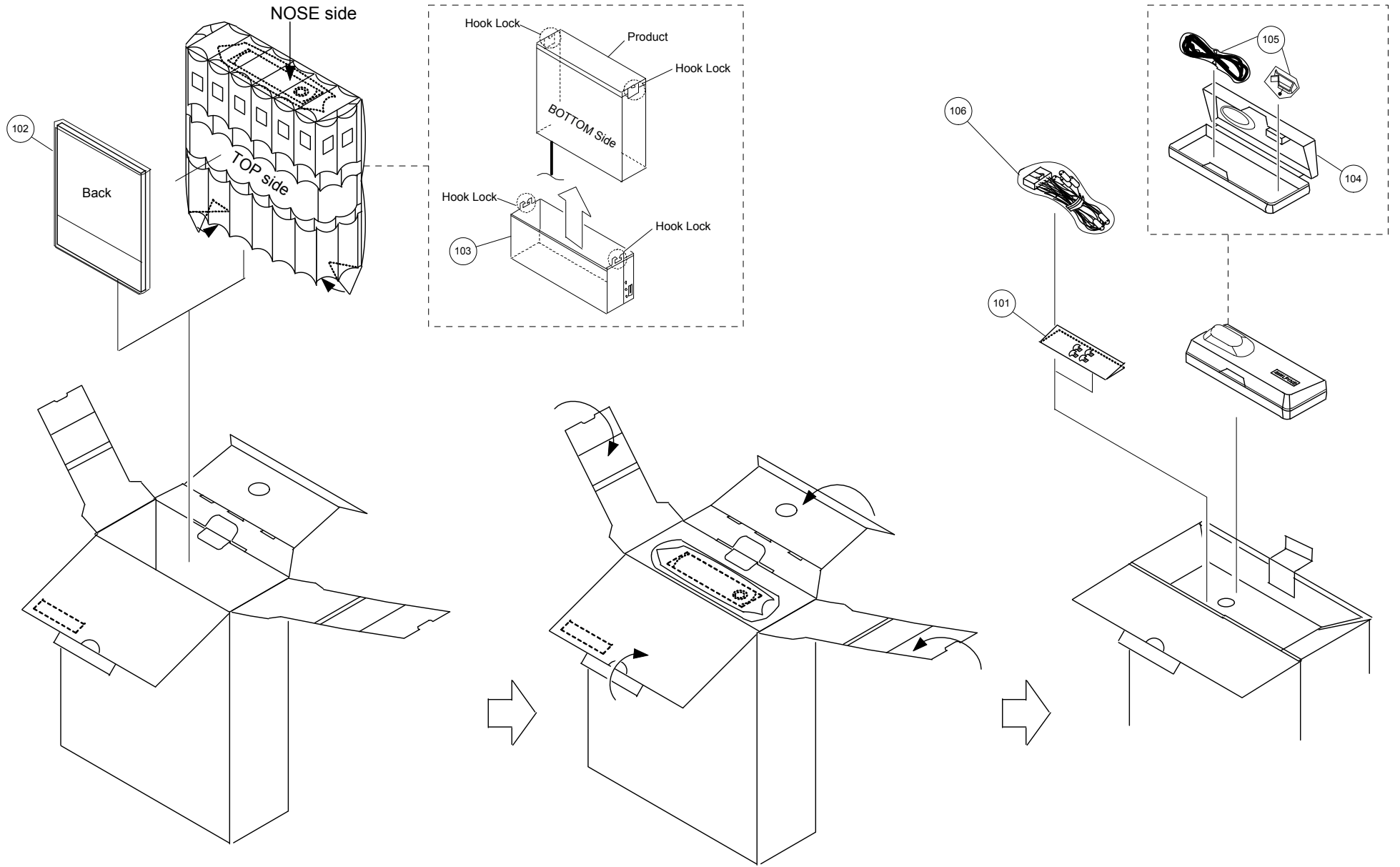
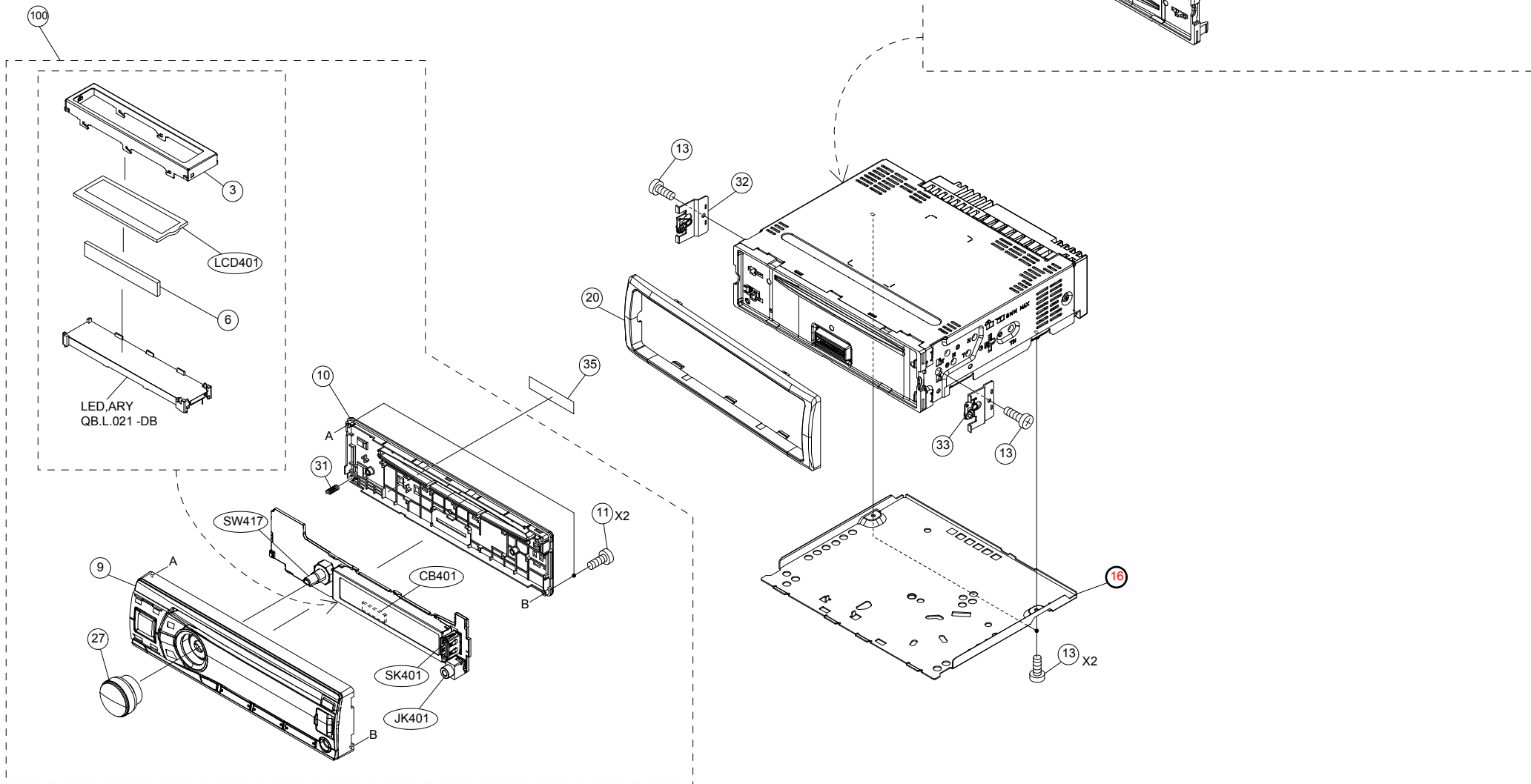


Packing Method View

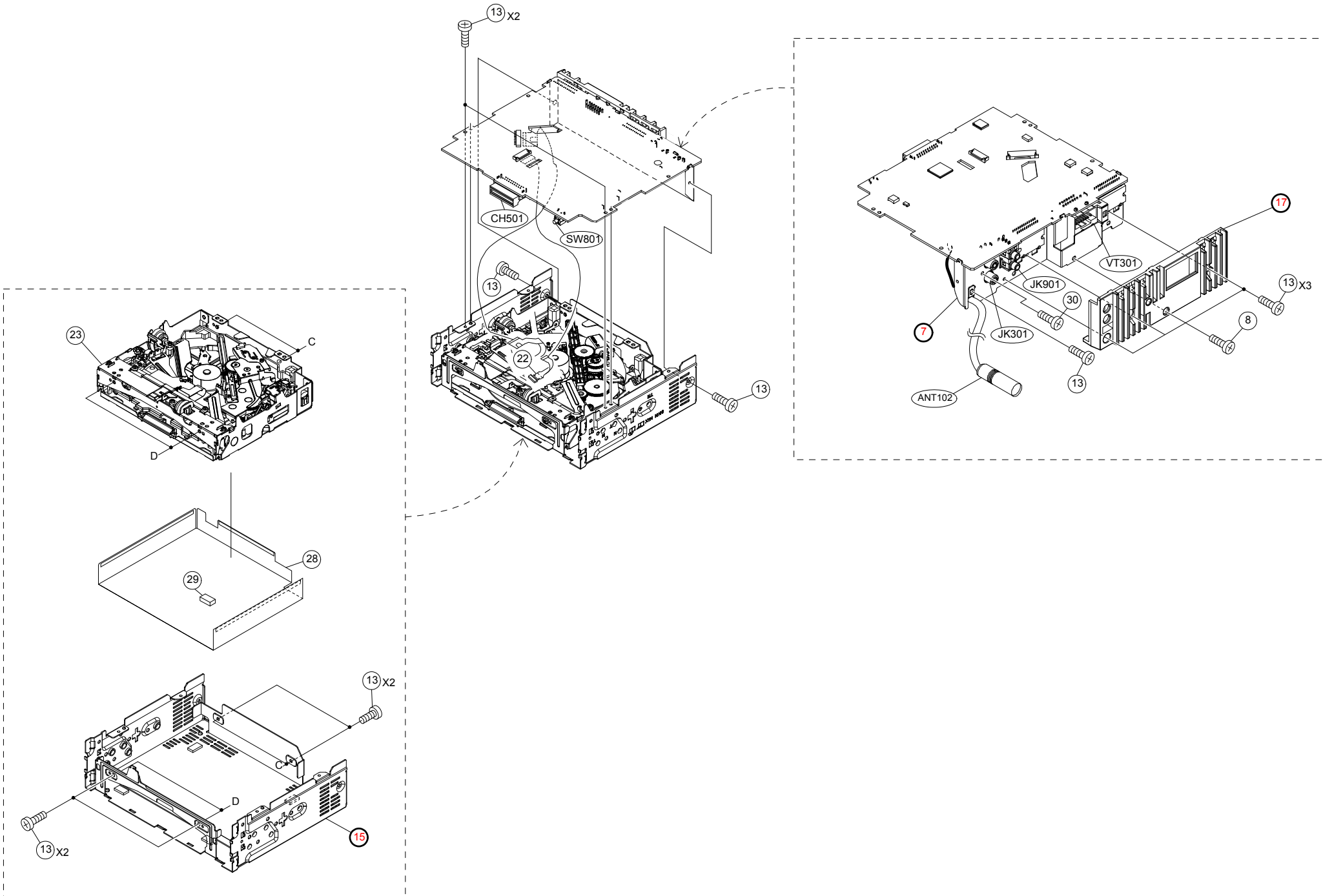


MODEL	Symbol No.	Parts No.	Description
	101-1	03S60820Y16	SCR,MCH 5X8 ZN A
	101-2	36A02449K01	CAP,RUBBER(A)
	101-3	03A60836Y01	SCR,CUS 5X7 ZN A
	101-4	03S60824Y01	SCR,WEV 1.7X4 ZN A
	102-1	68-10334Z47	O/M-CDROM BTEX3
	102-2	68-21627Z27	C/N-QRG AOEU DDA
	103	15D00529K02	CASE,INNER
	104	15D01798K04	CARRYING,CASE
	105	50-14386Z03	ASSY,LYS-M9750-FUL
	106	09-17245Z01	ASSY,ANIC-0049-01A

Exploded View (Cabinet) (1/2)



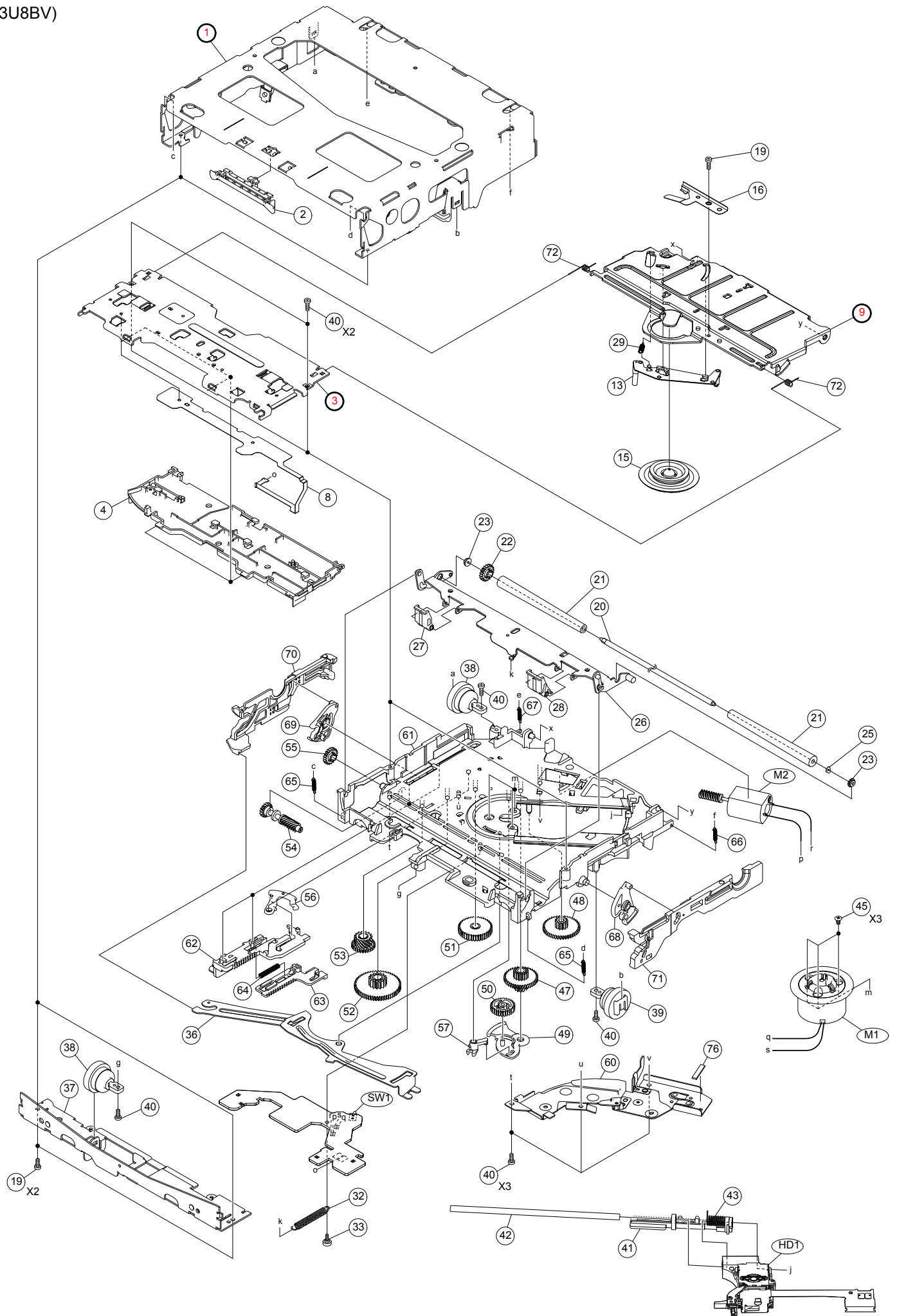
Exploded View (Cabinet) (2/2)



MODEL	Symbol No.	Parts No.	Description
	3	15-18736Z01	COVER,LCD
	6	75-19719Z01	RUBBER,GSS
	7	-----	BKT,CHAS REAR
	8	03S60825Y04	SCR,B-T 3X8 ZN A
	9	EN-20637Z02	NOSE,PIECE ASSY
	10	13-20985Z01	NOSE,BOTTOM
	11	03-02876Z28	SCR,WEV 1.7X7 ZB A
	12	EN-13741Z01	NOSE,BASE ASSY
	13	03S60822Y13	SCR,S-T 2.6X6 ZN A
	15	-----	CHAS,BASE ASSY
	16	-----	COVER,BOTTOM
	17	-----	HEAT,SINK
	20	33C04102K07	FACE,PLATE
	22	84-09445Z01	FPC,11PIN MECH
	23	DP-12685Z01	DP33U8BV
	27	36-18731Z01	KNOB,ROTALY ASSY
	28	14-21754Z01	INS,COVER MECH
	29	75-06068Z64	CUS,RUB 14X4XT1.2
	30	03S60823Y13	SCR,P-T 2.6X8 ZN A
	31	41-05515Z01	SPRING,OPEN
	32	07-03994Z01	BKT,SIDE L
	33	07-03994Z02	BKT,SIDE R
	34	75-21794Z01	SF150-4-15-15
	35	64A51492W01	PLATE,SERIAL NO.
	100	SU-22841Z01	SERVICE_NOSE_133
	ANT102	09-17241Z02	ASSY,ANID-0116-02A
	CB401	09-18716Z01	BTB,DF20-P -EJ
	CH501	09-18738Z01	BTB,DF20-S -DB
	JK301	09-17989Z01	RCA,LPR1020-0600F-DB
	JK401	09-18872Z01	JAC,1850383000322-DB
	JK901	09-14149Z01	JAC,CK3-3.5-14D -DB
	LCD401	65-20804Z01	LCD,TF5932M0TTN-FZ
	SK401	09-19382Z01	SKT,CM-V105 -DB
	SW417	40-10735Z02	ENC,EC12D1524405 -DB
	SW801	40T16096W03	SW ,TACT SKHHLW
	VT301	24-02502Z02	ASSY,W277A001 -DB


Exploded View (CD Deck Mechanism)

(DP33U8BV)




MODEL	Symbol No.	Parts No.	Description
	1	-----	CHAS,BASE DP-U
	2	15-08614Z01	GUIDE, TOP 2 DP-U
	3	-----	CHAS, TOP 8LS
	4	15-10062Z05	GUIDE, TOP 8LS
	8	84-14334Z01	FPC, PHOTO VE
	9	-----	ARM, CLAPM 8LS
	13	45-10065Z04	LEVER, ACTUATOR 8LS
	15	43-17679Z02	TABLE, CLAMPER 2
	16	41-14419Z01	SPG, CLAMPER VE-2
	19	03S60822Y43	SCR, S-T 2X3 ZN A
	20	47-04894Z03	SHAFT, ROLLER DP-U
	21	49-07008Z02	ROLLER, DP-U
	22	44-08626Z01	GEAR, ROLLER
	23	43-08617Z01	BUSH, ROLLER DP-U
	25	04S40075G88	WAS, LOC 1.7X4.5X0.25
	26	45-10061Z04	ARM, DISC GUIDE 8LS
	27	45-08642Z01	ARM, FENCE L
	28	45-08643Z01	ARM, FENCE R
	29	41-05867Z14	SPRING, ACTUATOR-2
	32	41-05867Z11	SPRING, ROLLER AOTA 2
	33	03-10564Z02	SCR, SPG. ROLLER AOTA2
	36	45-12698Z01	LEVER, LINK DRIVE 2
	37	07-04867Z02	BKT, DAMPER
	38	75-13914Z01	DAMPER, DP-U VE Z01
	39	75-13914Z02	DAMPER, DP-U VE Z02
	40	03S70693Y06	SCR, P-T 2X6 ZB A
	41	44-08628Z01	RACK, SLED
	42	47-04895Z01	SHAFT, PICK DP-U
	43	41-05866Z02	SPRING, SLED
	45	03S60820Y72	SCR, MCH 1.7X3 ZN A
	47	44-08618Z04	GEAR, A
	48	44-08619Z01	GEAR, B
	49	45-08631Z01	LEVER, TIMING GEAR
	50	44-08620Z01	GEAR, C
	51	44-08621Z01	GEAR, D
	52	44-08622Z04	GEAR, E
	53	44-08623Z04	GEAR, F
	54	44-08624Z03	GEAR, G
	55	44-09654Z01	GEAR, H-2
	56	45-08632Z01	LEVER, LOCK DP-U
	57	45-08630Z01	LEVER, TIMING PICK
	60	07-05523Z02	ASSY, RIV COVER MTR
	61	27-15556Z01	CHAS, PICK 8LS 3
	62	45-15742Z01	SLIDER, LOAD 2
	63	45-15743Z01	SLIDER, TIMING LOAD 2

MODEL	Symbol No.	Parts No.	Description
	64	41-05874Z02	SPRING,TIMING
	65	41-05867Z02	SPRING,DRIVE F
	66	41-05867Z13	SPRING,DRIVE RR-2
	67	41-05867Z04	SPRING,DRIVE RL
	68	45-08639Z06	ARM,LOCK R DP-U
	69	45-15741Z01	ARM,LOCK L 2
	70	45-10066Z04	SLIDER,LOCK L 8LS
	71	45-10067Z04	SLIDER,LOCK R 8LS
	72	41-05871Z02	SPRING,ARM CLAMP
	76	14-06145Z92	INS,CVR 12X3XT1
	HD1	EP-12502Z06	EP21A96NP
	M1	66-19371Z75	ASSY,SPDL MTR 8BV
	M2	66-13908Z44	ASSY,LD-SLED MTR AOTA 8BV
	SW1	40T15494Y16	SW,DETCT SPVG1103-E6



P.W.Board	MIS	MODEL	Ref.	Parts No.	Parts Name
MAIN-P.W.Board			ANT102	09-17241Z02	ASSY,ANID-0116-02A
MAIN-P.W.Board			C100	08S65669Y03	CAP,CER 224KX7R1H-CP
MAIN-P.W.Board			C186	08S82122F17	CAP,CER.15RJ-CH1H-CP
MAIN-P.W.Board			C187	08S45677W60	CAP,CER 102J-CH1H-CP
MAIN-P.W.Board			C188	08S45231Y19	CAP,CER 33RJ-CH1H-CP
MAIN-P.W.Board			C189	08-17773Z01	CAP,CER 2R2B-CH1H-CP
MAIN-P.W.Board			C190	08S45231Y14	CAP,CER 12RJ-CH1H-CP
MAIN-P.W.Board			C191	08S45677W60	CAP,CER 102J-CH1H-CP
MAIN-P.W.Board			C192	08S45676W93	CAP,CER 224K-B1A -CP
MAIN-P.W.Board			C193	08S45677W60	CAP,CER 102J-CH1H-CP
MAIN-P.W.Board			C194	08S65674Y08	CAP,CER 105KX5R1E-CP
MAIN-P.W.Board			C195	08S45676W93	CAP,CER 224K-B1A -CP
MAIN-P.W.Board			C196	08S65668Y04	CAP,CER 104KX5R1A-CP
MAIN-P.W.Board			C197	08S45231Y13	CAP,CER 10RD-CH1H-CP
MAIN-P.W.Board			C198	08S45232Y11	CAP,CER 103K-B1C -CP
MAIN-P.W.Board			C199	08S45232Y11	CAP,CER 103K-B1C -CP
MAIN-P.W.Board			C200	08S65674Y08	CAP,CER 105KX5R1E-CP
MAIN-P.W.Board			C201	08S45232Y11	CAP,CER 103K-B1C -CP
MAIN-P.W.Board			C202	08S65668Y04	CAP,CER 104KX5R1A-CP
MAIN-P.W.Board			C203	08S45232Y11	CAP,CER 103K-B1C -CP
MAIN-P.W.Board			C204	08S65668Y04	CAP,CER 104KX5R1A-CP
MAIN-P.W.Board			C205	08S65674Y08	CAP,CER 105KX5R1E-CP
MAIN-P.W.Board			C206	08S65668Y04	CAP,CER 104KX5R1A-CP
MAIN-P.W.Board			C208	08S65667Y01	CAP,CER 224KX5R1C-CP
MAIN-P.W.Board			C302	08S65669Y03	CAP,CER 224KX7R1H-CP
MAIN-P.W.Board			C303	08S65669Y03	CAP,CER 224KX7R1H-CP
MAIN-P.W.Board			C304	08S65669Y03	CAP,CER 224KX7R1H-CP
MAIN-P.W.Board			C305	08S65669Y03	CAP,CER 224KX7R1H-CP
MAIN-P.W.Board			C306	08S35350Y04	CAP,CER 105K-B1C -CP
MAIN-P.W.Board			C309	08S35350Y04	CAP,CER 105K-B1C -CP
MAIN-P.W.Board			C310	08S45676W83	CAP,CER 473K-B1C -CP
MAIN-P.W.Board			C311	08S35350Y04	CAP,CER 105K-B1C -CP
MAIN-P.W.Board			C312	08S65669Y03	CAP,CER 224KX7R1H-CP
MAIN-P.W.Board			C314	08S65669Y03	CAP,CER 224KX7R1H-CP
MAIN-P.W.Board			C315	08S65676Y07	CAP,CER 225K-X7R1ECP
MAIN-P.W.Board			C316	08S65676Y07	CAP,CER 225K-X7R1ECP
MAIN-P.W.Board			C317	08S45677W54	CAP,CER 561J-CH1H-CP
MAIN-P.W.Board			C318	08S65676Y07	CAP,CER 225K-X7R1ECP
MAIN-P.W.Board			C319	08S45677W46	CAP,CER 271J-CH1H-CP
MAIN-P.W.Board			C320	08S65676Y07	CAP,CER 225K-X7R1ECP
MAIN-P.W.Board			C321	08S45677W46	CAP,CER 271J-CH1H-CP
MAIN-P.W.Board			C323	08S65676Y07	CAP,CER 225K-X7R1ECP
MAIN-P.W.Board			C324	08S45677W54	CAP,CER 561J-CH1H-CP
MAIN-P.W.Board			C325	08S65676Y08	CAP,CER 106K-X7R1ACP
MAIN-P.W.Board			C326	08S65676Y07	CAP,CER 225K-X7R1ECP

P.W.Board	MIS	MODEL	Ref.	Parts No.	Parts Name
MAIN-P.W.Board			C327	08S65669Y03	CAP,CER 224KX7R1H-CP
MAIN-P.W.Board			C329	08S65669Y03	CAP,CER 224KX7R1H-CP
MAIN-P.W.Board			C335	08S65669Y03	CAP,CER 224KX7R1H-CP
MAIN-P.W.Board			C501	08S45676W65	CAP,CER.222K-B1H -CP
MAIN-P.W.Board			C502	08S65667Y01	CAP,CER 224KX5R1C-CP
MAIN-P.W.Board			C503	08S65667Y01	CAP,CER 224KX5R1C-CP
MAIN-P.W.Board			C504	08S65667Y01	CAP,CER 224KX5R1C-CP
MAIN-P.W.Board			C505	08S65667Y01	CAP,CER 224KX5R1C-CP
MAIN-P.W.Board			C506	08S65667Y01	CAP,CER 224KX5R1C-CP
MAIN-P.W.Board			C507	08S65667Y01	CAP,CER 224KX5R1C-CP
MAIN-P.W.Board			C508	08S65667Y01	CAP,CER 224KX5R1C-CP
MAIN-P.W.Board			C509	08S45231Y17	CAP,CER 22RJ-CH1H-CP
MAIN-P.W.Board			C510	08S45231Y17	CAP,CER 22RJ-CH1H-CP
MAIN-P.W.Board			C511	08S45677W14	CAP,CER.12RJ-CH1H-CP
MAIN-P.W.Board			C512	08S45677W16	CAP,CER.15RJ-CH1H-CP
MAIN-P.W.Board			C513	08S65669Y03	CAP,CER 224KX7R1H-CP
MAIN-P.W.Board			C514	08S45677W60	CAP,CER 102J-CH1H-CP
MAIN-P.W.Board			C516	08S45232Y11	CAP,CER 103K-B1C -CP
MAIN-P.W.Board			C517	08S45232Y11	CAP,CER 103K-B1C -CP
MAIN-P.W.Board			C519	08S65669Y03	CAP,CER 224KX7R1H-CP
MAIN-P.W.Board			C520	08S65669Y03	CAP,CER 224KX7R1H-CP
MAIN-P.W.Board			C601	08S35349Y16	CAP,CER 105K-B1A -CP
MAIN-P.W.Board			C602	08S35349Y16	CAP,CER 105K-B1A -CP
MAIN-P.W.Board			C702	08S45232Y17	CAP,CER 104K-B0J -CP
MAIN-P.W.Board			C703	08S45232Y05	CAP,CER 102K-B1H -CP
MAIN-P.W.Board			C704	08S65668Y05	CAP,CER 224KX5R1A-CP
MAIN-P.W.Board			C705	08S45232Y17	CAP,CER 104K-B0J -CP
MAIN-P.W.Board			C707	08S35349Y17	CAP,CER 225K-B0J -CP
MAIN-P.W.Board			C708	08S45231Y17	CAP,CER 22RJ-CH1H-CP
MAIN-P.W.Board			C709	08S45231Y16	CAP,CER 18RJ-CH1H-CP
MAIN-P.W.Board			C710	08S45232Y17	CAP,CER 104K-B0J -CP
MAIN-P.W.Board			C711	08S45232Y17	CAP,CER 104K-B0J -CP
MAIN-P.W.Board			C712	08S45231Y18	CAP,CER 27RJ-CH1H-CP
MAIN-P.W.Board			C713	08S45231Y18	CAP,CER 27RJ-CH1H-CP
MAIN-P.W.Board			C716	08S45231Y25	CAP,CER 101J-CH1H-CP
MAIN-P.W.Board			C717	08S45676W80	CAP,CER 223K-B1E -CP
MAIN-P.W.Board			C718	08S65667Y01	CAP,CER 224KX5R1C-CP
MAIN-P.W.Board			C719	08S45232Y17	CAP,CER 104K-B0J -CP
MAIN-P.W.Board			C720	08S45231Y25	CAP,CER 101J-CH1H-CP
MAIN-P.W.Board			C721	08S45231Y25	CAP,CER 101J-CH1H-CP
MAIN-P.W.Board			C722	08S45231Y25	CAP,CER 101J-CH1H-CP
MAIN-P.W.Board			C723	08S35349Y17	CAP,CER 225K-B0J -CP
MAIN-P.W.Board			C724	08S45231Y15	CAP,CER 15RJ-CH1H-CP
MAIN-P.W.Board			C725	08S45232Y17	CAP,CER 104K-B0J -CP
MAIN-P.W.Board			C726	08S45232Y08	CAP,CER 332K-B1H -CP

P.W.Board	MIS	MODEL	Ref.	Parts No.	Parts Name
MAIN-P.W.Board			C727	08S45676W69	CAP,CER.472K-B1H -CP
MAIN-P.W.Board			C728	08S45232Y12	CAP,CER 153K-B1C -CP
MAIN-P.W.Board			C729	08S45232Y17	CAP,CER 104K-B0J -CP
MAIN-P.W.Board			C731	08S45232Y17	CAP,CER 104K-B0J -CP
MAIN-P.W.Board			C732	08S45232Y17	CAP,CER 104K-B0J -CP
MAIN-P.W.Board			C733	08S45232Y17	CAP,CER 104K-B0J -CP
MAIN-P.W.Board			C734	08S45232Y14	CAP,CER 333K-B1C -CP
MAIN-P.W.Board			C736	08S45232Y14	CAP,CER 333K-B1C -CP
MAIN-P.W.Board			C737	08S45232Y08	CAP,CER 332K-B1H -CP
MAIN-P.W.Board			C738	08S45676W73	CAP,CER.103K-B1H -CP
MAIN-P.W.Board			C739	08S45232Y14	CAP,CER 333K-B1C -CP
MAIN-P.W.Board			C740	08S45232Y11	CAP,CER 103K-B1C -CP
MAIN-P.W.Board			C741	08S45232Y17	CAP,CER 104K-B0J -CP
MAIN-P.W.Board			C742	08S45231Y21	CAP,CER 47RJ-CH1H-CP
MAIN-P.W.Board			C743	08S45232Y12	CAP,CER 153K-B1C -CP
MAIN-P.W.Board			C744	08S45232Y07	CAP,CER 222K-B1H -CP
MAIN-P.W.Board			C745	08S45232Y17	CAP,CER 104K-B0J -CP
MAIN-P.W.Board			C746	08S45232Y17	CAP,CER 104K-B0J -CP
MAIN-P.W.Board			C749	08S45232Y06	CAP,CER 152K-B1H -CP
MAIN-P.W.Board			C750	08S45232Y06	CAP,CER 152K-B1H -CP
MAIN-P.W.Board			C751	08S45232Y14	CAP,CER 333K-B1C -CP
MAIN-P.W.Board			C752	08S45232Y05	CAP,CER 102K-B1H -CP
MAIN-P.W.Board			C753	08S35374W12	CAP,CER 106K-B0J -CP
MAIN-P.W.Board			C754	08S45232Y14	CAP,CER 333K-B1C -CP
MAIN-P.W.Board			C755	08S45232Y08	CAP,CER 332K-B1H -CP
MAIN-P.W.Board			C756	08S35374W12	CAP,CER 106K-B0J -CP
MAIN-P.W.Board			C757	08S45231Y14	CAP,CER 12RJ-CH1H-CP
MAIN-P.W.Board			C758	08S45232Y17	CAP,CER 104K-B0J -CP
MAIN-P.W.Board			C759	08S45232Y17	CAP,CER 104K-B0J -CP
MAIN-P.W.Board			C762	08S45232Y06	CAP,CER 152K-B1H -CP
MAIN-P.W.Board			C763	08S35374W12	CAP,CER 106K-B0J -CP
MAIN-P.W.Board			C764	08S45231Y38	CAP,CER 102J-CH1E-CP
MAIN-P.W.Board			C765	08S65669Y03	CAP,CER 224KX7R1H-CP
MAIN-P.W.Board			C766	08S45231Y28	CAP,CER 181J-CH1H-CP
MAIN-P.W.Board			C767	08S45676W70	CAP,CER 562K-B1H -CP
MAIN-P.W.Board			C768	08S45676W75	CAP,CER.153K-B1H -CP
MAIN-P.W.Board			C769	08S45676W66	CAP,CER.272K-B1H -CP
MAIN-P.W.Board			C770	08S65669Y03	CAP,CER 224KX7R1H-CP
MAIN-P.W.Board			C771	08S65669Y03	CAP,CER 224KX7R1H-CP
MAIN-P.W.Board			C772	08S45676W93	CAP,CER 224K-B1A -CP
MAIN-P.W.Board			C774	08S35349Y15	CAP,CER 474K-B1A -CP
MAIN-P.W.Board			C775	08S45232Y05	CAP,CER 102K-B1H -CP
MAIN-P.W.Board			C776	08S35349Y15	CAP,CER 474K-B1A -CP
MAIN-P.W.Board			C777	08S45232Y08	CAP,CER 332K-B1H -CP
MAIN-P.W.Board			C778	08S45232Y13	CAP,CER 223K-B1C -CP

P.W.Board	MIS	MODEL	Ref.	Parts No.	Parts Name
MAIN-P.W.Board			C780	08S45676W85	CAP,CER 104K-B1C -CP
MAIN-P.W.Board			C781	08S65669Y03	CAP,CER 224KX7R1H-CP
MAIN-P.W.Board			C782	08S65669Y03	CAP,CER 224KX7R1H-CP
MAIN-P.W.Board			C784	08S65667Y01	CAP,CER 224KX5R1C-CP
MAIN-P.W.Board			C785	08S45676W93	CAP,CER 224K-B1A -CP
MAIN-P.W.Board			C786	08S45232Y11	CAP,CER 103K-B1C -CP
MAIN-P.W.Board			C787	08S65669Y03	CAP,CER 224KX7R1H-CP
MAIN-P.W.Board			C800	08S65669Y03	CAP,CER 224KX7R1H-CP
MAIN-P.W.Board			C801	08S65128F88	CAP,CER 104K-B1H -CP
MAIN-P.W.Board			C802	08S45676W85	CAP,CER 104K-B1C -CP
MAIN-P.W.Board			C803	08S65669Y03	CAP,CER 224KX7R1H-CP
MAIN-P.W.Board			C804	08S65669Y03	CAP,CER 224KX7R1H-CP
MAIN-P.W.Board			C805	08S65669Y03	CAP,CER 224KX7R1H-CP
MAIN-P.W.Board			C806	08S65669Y03	CAP,CER 224KX7R1H-CP
MAIN-P.W.Board			C807	08S65669Y03	CAP,CER 224KX7R1H-CP
MAIN-P.W.Board			C808	08S65669Y03	CAP,CER 224KX7R1H-CP
MAIN-P.W.Board			C809	08S65669Y03	CAP,CER 224KX7R1H-CP
MAIN-P.W.Board			C810	08S65669Y03	CAP,CER 224KX7R1H-CP
MAIN-P.W.Board			C811	08S65669Y03	CAP,CER 224KX7R1H-CP
MAIN-P.W.Board			C812	08S65669Y03	CAP,CER 224KX7R1H-CP
MAIN-P.W.Board			C813	08S65669Y03	CAP,CER 224KX7R1H-CP
MAIN-P.W.Board			C814	08S65669Y03	CAP,CER 224KX7R1H-CP
MAIN-P.W.Board			C815	08S65669Y03	CAP,CER 224KX7R1H-CP
MAIN-P.W.Board			C816	08S65669Y03	CAP,CER 224KX7R1H-CP
MAIN-P.W.Board			C817	08S65128F90	CAP,CER 473K-B1H -CP
MAIN-P.W.Board			C818	08S65669Y03	CAP,CER 224KX7R1H-CP
MAIN-P.W.Board			C819	08S65669Y03	CAP,CER 224KX7R1H-CP
MAIN-P.W.Board			C820	08S65669Y03	CAP,CER 224KX7R1H-CP
MAIN-P.W.Board			C822	08S65667Y05	CAP,CER 105KX5R1A-CP
MAIN-P.W.Board			C823	08S65669Y03	CAP,CER 224KX7R1H-CP
MAIN-P.W.Board			C824	08S65669Y03	CAP,CER 224KX7R1H-CP
MAIN-P.W.Board			C825	08S65669Y03	CAP,CER 224KX7R1H-CP
MAIN-P.W.Board			C826	08S65669Y03	CAP,CER 224KX7R1H-CP
MAIN-P.W.Board			C827	08S65669Y03	CAP,CER 224KX7R1H-CP
MAIN-P.W.Board			C901	08S35374W01	CAP,CER 104K-B1E-CP
MAIN-P.W.Board			C902	08S65128F78	CAP,CER.223K-B1H -CP
MAIN-P.W.Board			C903	08S45676W65	CAP,CER.222K-B1H -CP
MAIN-P.W.Board			C904	08S45677W36	CAP,CER.101J-CH1H-CP
MAIN-P.W.Board			CB701	09T55174Y11	FFC,IMSA9616S-11Y-ED
MAIN-P.W.Board			CB702	09-09312Z02	FFC,IMSA9663S-15Y-EQ
MAIN-P.W.Board			CH501	09-18738Z01	BTB,DF20-S -DB
MAIN-P.W.Board			CH601	09-21046Z01	BTB,24R-JMCS-G-B -E5
MAIN-P.W.Board			D101	48-12230Z01	DIO,KDS226-RTK -CP
MAIN-P.W.Board			D300	48-07016Z01	DIO,KDS181-RTK -CP
MAIN-P.W.Board			D302	48-07015Z01	DIO,KDS160-RTK -CP

P.W.Board	MIS	MODEL	Ref.	Parts No.	Parts Name
MAIN-P.W.Board			D304	48T75446Y01	DIO,RR264M-400 -CP
MAIN-P.W.Board			D801	48T75527Y01	DIO,1SR154-400 -E1
MAIN-P.W.Board			D802	48-05164Z01	DIO,1SS352-TPH3 -CP
MAIN-P.W.Board			D803	48T75527Y01	DIO,1SR154-400 -E1
MAIN-P.W.Board			D804	48T75527Y01	DIO,1SR154-400 -E1
MAIN-P.W.Board			D901	48-07016Z02	DIO,KDS184-RTK -CP
MAIN-P.W.Board			E101	23S65134W34	CAP,ELY 47R-1C(6)-E6
MAIN-P.W.Board			E103	23S65134W81	CAP,ELY 22R-1C(4)-E2
MAIN-P.W.Board			E301	23S65134W53	CAP,ELY 4R7-1V(4)-E2
MAIN-P.W.Board			E302	23S65134W53	CAP,ELY 4R7-1V(4)-E2
MAIN-P.W.Board			E303	23S65134W53	CAP,ELY 4R7-1V(4)-E2
MAIN-P.W.Board			E304	23S65134W53	CAP,ELY 4R7-1V(4)-E2
MAIN-P.W.Board			E305	23S75244Y25	CAP,ELY 22R-1E -E3
MAIN-P.W.Board			E306	23S65134W53	CAP,ELY 4R7-1V(4)-E2
MAIN-P.W.Board			E307	23S65134W34	CAP,ELY 47R-1C(6)-E6
MAIN-P.W.Board			E308	23T75234Y20	CAP,MAR 22R-1E-F55E6
MAIN-P.W.Board			E309	23S75244Y18	CAP,ELY 47R-1C -E3
MAIN-P.W.Board			E310	23S65134W41	CAP,ELY 4R7-1E(3)-E2
MAIN-P.W.Board			E311	23S65134W41	CAP,ELY 4R7-1E(3)-E2
MAIN-P.W.Board			E312	23T75346W03	CAP,X-PRO 332-1C +
MAIN-P.W.Board			E313	23S65134W52	CAP,ELY 3R3-1V(3)-E2
MAIN-P.W.Board			E314	23S65134W52	CAP,ELY 3R3-1V(3)-E2
MAIN-P.W.Board			E315	23T75234Y20	CAP,MAR 22R-1E-F55E6
MAIN-P.W.Board			E501	23S75244Y20	CAP,ELY 221-1C -E6
MAIN-P.W.Board			E601	23S65134W24	CAP,ELY 221-1A(8)-E6
MAIN-P.W.Board			E700	23S75244Y18	CAP,ELY 47R-1C -E3
MAIN-P.W.Board			E702	23S75244Y18	CAP,ELY 47R-1C -E3
MAIN-P.W.Board			E704	23S75244Y19	CAP,ELY 101-1C -E6
MAIN-P.W.Board			E705	23T65679Y11	CAP,CD 47R-0J -E2
MAIN-P.W.Board			E706	23S65134W24	CAP,ELY 221-1A(8)-E6
MAIN-P.W.Board			E708	23S65134W35	CAP,ELY 101-1C(8)-E6
MAIN-P.W.Board			E709	23S75244Y19	CAP,ELY 101-1C -E6
MAIN-P.W.Board			E800	23S75244Y20	CAP,ELY 221-1C -E6
MAIN-P.W.Board			E801	23S75244Y19	CAP,ELY 101-1C -E6
MAIN-P.W.Board			E802	23S75244Y20	CAP,ELY 221-1C -E6
MAIN-P.W.Board			E803	23S75244Y17	CAP,ELY 22R-1C -E2
MAIN-P.W.Board			E804	23S75244Y18	CAP,ELY 47R-1C -E3
MAIN-P.W.Board			E805	23S75244Y18	CAP,ELY 47R-1C -E3
MAIN-P.W.Board			E806	23S65134W54	CAP,ELY 10R-1V(5)-E3
MAIN-P.W.Board			E807	23S75244Y20	CAP,ELY 221-1C -E6
MAIN-P.W.Board			E808	23S75244Y19	CAP,ELY 101-1C -E6
MAIN-P.W.Board			E809	23S75244Y20	CAP,ELY 221-1C -E6
MAIN-P.W.Board			E810	23S75244Y19	CAP,ELY 101-1C -E6
MAIN-P.W.Board			E811	23S75244Y20	CAP,ELY 221-1C -E6
MAIN-P.W.Board			E812	23S65134W44	CAP,ELY 22R-1E(6)-E6

P.W.Board	MIS	MODEL	Ref.	Parts No.	Parts Name
MAIN-P.W.Board			E813	23S75244Y20	CAP,ELY 221-1C -E6
MAIN-P.W.Board			E814	23S75244Y20	CAP,ELY 221-1C -E6
MAIN-P.W.Board			E815	23T65114Y28	CAP,FK 101-1E-D8-E6
MAIN-P.W.Board			E816	23S75244Y19	CAP,ELY 101-1C -E6
MAIN-P.W.Board			E817	23S75244Y19	CAP,ELY 101-1C -E6
MAIN-P.W.Board			E818	23S65134W35	CAP,ELY 101-1C(8)-E6
MAIN-P.W.Board			E820	23S65134W32	CAP,ELY 22R-1C(5)-E3
MAIN-P.W.Board			E821	23S75244Y18	CAP,ELY 47R-1C -E3
MAIN-P.W.Board			IC101	51-20754Z01	TEF6616T/V1,518 -SEE
MAIN-P.W.Board			IC102	51-15224Z01	MFI341S2313 -SE2
MAIN-P.W.Board			IC301	51-18346Z01	TB2986HQ -ZS
MAIN-P.W.Board			IC302	51-05314Z01	BA4560RFVM-TR -SE1
MAIN-P.W.Board			IC303	51-19762Z01	BD37543FS-E2 -SE9
MAIN-P.W.Board			IC500	51T15185Y02	TC7SH08FU,JF-L -CP
MAIN-P.W.Board			IC501	83-18934Z79	VER0.992MFAG111
MAIN-P.W.Board			IC502	51T65769Y01	BR24L16F-W-E2 -SE2
MAIN-P.W.Board			IC503	51T15191Y02	TC74VHC08FT,K-EL-SE5
MAIN-P.W.Board			IC504	51T55336Y02	TC7SH04FU,JF-L -CP
MAIN-P.W.Board			IC601	51-20732Z01	ASSY,FC6000 PF810021
MAIN-P.W.Board			IC701	83-18934Z90	Basic0/BTEX3 Bolero Soft
MAIN-P.W.Board			IC702	51-16202Z01	TC94A92FG-301 -QT
MAIN-P.W.Board			IC703	51-14737Z01	BD8226EFV-E2 -SE6
MAIN-P.W.Board			IC704	51-11433Z01	RT9702AGB -CP
MAIN-P.W.Board			IC705	51T15185Y02	TC7SH08FU,JF-L -CP
MAIN-P.W.Board			IC800	51-07902Z02	NJM2871BF33-TE1 -CP
MAIN-P.W.Board			IC801	51-13711Z01	TB2920HQ -ZS
MAIN-P.W.Board			IC802	51-06963Z01	NJU7741F15-TE1 -CP
MAIN-P.W.Board			IC803	51-04315Z22	BU4229G-TR -CP
MAIN-P.W.Board			IC804	51-06963Z01	NJU7741F15-TE1 -CP
MAIN-P.W.Board			IC805	51-02830Z01	BA7810HFP -NEA
MAIN-P.W.Board			IC806	51-05862Z01	NJM2845DL1-33-TE1NE5
MAIN-P.W.Board			IC807	51-05862Z01	NJM2845DL1-33-TE1NE5
MAIN-P.W.Board			IC808	51-13565Z03	NJM2856DL3-33TE1-NE5
MAIN-P.W.Board			IC809	51-13565Z01	NJM2856DL3-18TE1-NE5
MAIN-P.W.Board			IC811	51T15194Y02	TC74VHCT08AFT,K -SE5
MAIN-P.W.Board			IC901	51T93532F05	TC4S01F-TE85L -CP
MAIN-P.W.Board			JK301	09-17989Z01	RCA,LPR1020-0600F-DB
MAIN-P.W.Board			JK901	09-14149Z01	JAC,CK3-3.5-14D -DB
MAIN-P.W.Board			L101	24T25164Y21	IND,FSLM2520 4R7J-CP
MAIN-P.W.Board			L103	24T45482Y05	IND,LQH31HN R29J -CP
MAIN-P.W.Board			L104	24T65110W16	IND,LK2125 1R0K -CP
MAIN-P.W.Board			L105	24T65110W09	IND,LK2125 R27K -CP
MAIN-P.W.Board			L107	24T65110W19	IND,LK2125 1R8K -CP
MAIN-P.W.Board			L108	24T65645Y03	IND,LLM3225 561K -CP
MAIN-P.W.Board			L109	24T65645Y03	IND,LLM3225 561K -CP




P.W.Board	MIS	MODEL	Ref.	Parts No.	Parts Name
MAIN-P.W.Board			L110	24-10967Z18	IND,LBM2016 3R3J -CP
MAIN-P.W.Board			L703	24T95456W11	FBI,BLM18AG601SH1-CP
MAIN-P.W.Board			Q301	48-13000Z05	TR,LTC124EUBFS8-TLCP
MAIN-P.W.Board			Q302	48-13000Z01	TR,LTC114EUBFS8-TLCP
MAIN-P.W.Board			Q303	48-13000Z05	TR,LTC124EUBFS8-TLCP
MAIN-P.W.Board			Q304	48-04929Z02	TR,KRC102S-RTK -CP
MAIN-P.W.Board			Q305	48-13000Z05	TR,LTC124EUBFS8-TLCP
MAIN-P.W.Board			Q306	48T75180Y04	TR,IMH23-T110 -CP
MAIN-P.W.Board			Q308	48T25737Y01	TR,UMD2N-TR -CP
MAIN-P.W.Board			Q309	48T25737Y02	TR,UMD3N-TR -CP
MAIN-P.W.Board			Q703	48-17707Z01	TR,DSA700300L -E2
MAIN-P.W.Board			Q704	48-19949Z01	TR,DRC5143X0L -CP
MAIN-P.W.Board			Q705	48T55462Y01	TR,2SB1132-QR-100-E2
MAIN-P.W.Board			Q709	48-04940Z17	TR,KRA118S-RTK -CP
MAIN-P.W.Board			Q710	48-13000Z01	TR,LTC114EUBFS8-TLCP
MAIN-P.W.Board			Q801	48-20094Z02	TR,DMA561020R -CP
MAIN-P.W.Board			Q802	48T25737Y01	TR,UMD2N-TR -CP
MAIN-P.W.Board			Q804	48T25737Y01	TR,UMD2N-TR -CP
MAIN-P.W.Board			Q901	48-09583Z04	TR,KTA1504S-GRRTK-CP
MAIN-P.W.Board			Q902	48-13000Z01	TR,LTC114EUBFS8-TLCP
MAIN-P.W.Board			R274	06S70072F05	RES,CP .10R-J-1/4-CP
MAIN-P.W.Board			R276	06S15616Y14	RES,RK 474J 1/16 -CP
MAIN-P.W.Board			R277	06S15616Y14	RES,RK 474J 1/16 -CP
MAIN-P.W.Board			R278	06S15615Y25	RES,RK 101J 1/16 -CP
MAIN-P.W.Board			R279	06S15615Y65	RES,RK 472J 1/16 -CP
MAIN-P.W.Board			R280	06S70072F13	RES,CP .22R-J-1/4-CP
MAIN-P.W.Board			R281	06S15615Y25	RES,RK 101J 1/16 -CP
MAIN-P.W.Board			R284	06S15615Y25	RES,RK 101J 1/16 -CP
MAIN-P.W.Board			R285	06S15616Y23	RES,RK JUMPER1/16-CP
MAIN-P.W.Board			R286	06S15615Y73	RES,RK 103J 1/16 -CP
MAIN-P.W.Board			R301	06S15615Y25	RES,RK 101J 1/16 -CP
MAIN-P.W.Board			R302	06S45674W81	RES,RK 103J 1/10 -CP
MAIN-P.W.Board			R303	06S70072F77	RES,CP .103-J-1/4-CP
MAIN-P.W.Board			R304	06S15615Y37	RES,RK 331J 1/16 -CP
MAIN-P.W.Board			R305	06S15615Y37	RES,RK 331J 1/16 -CP
MAIN-P.W.Board			R306	06S15593Y71	RES,RK 822F 1/10 -CP
MAIN-P.W.Board			R307	06S15593Y71	RES,RK 822F 1/10 -CP
MAIN-P.W.Board			R308	06S15593Y71	RES,RK 822F 1/10 -CP
MAIN-P.W.Board			R309	06S15593Y71	RES,RK 822F 1/10 -CP
MAIN-P.W.Board			R315	06S45675W43	RES,RK JUMPER1/10-CP
MAIN-P.W.Board			R316	06S45675W43	RES,RK JUMPER1/10-CP
MAIN-P.W.Board			R359	06S15615Y73	RES,RK 103J 1/16 -CP
MAIN-P.W.Board			R360	06S15615Y25	RES,RK 101J 1/16 -CP
MAIN-P.W.Board			R361	06S15615Y25	RES,RK 101J 1/16 -CP
MAIN-P.W.Board			R362	06S45675W43	RES,RK JUMPER1/10-CP



P.W.Board	MIS	MODEL	Ref.	Parts No.	Parts Name
MAIN-P.W.Board			R363	06S15615Y25	RES,RK 101J 1/16 -CP
MAIN-P.W.Board			R364	06S15615Y49	RES,RK 102J 1/16 -CP
MAIN-P.W.Board			R371	06S70072F29	RES,CP .101-J-1/4-CP
MAIN-P.W.Board			R373	06S15615Y73	RES,RK 103J 1/16 -CP
MAIN-P.W.Board			R374	06S15615Y33	RES,RK 221J 1/16 -CP
MAIN-P.W.Board			R375	06S15615Y77	RES,RK 153J 1/16 -CP
MAIN-P.W.Board			R377	06S15615Y73	RES,RK 103J 1/16 -CP
MAIN-P.W.Board			R378	06S15615Y25	RES,RK 101J 1/16 -CP
MAIN-P.W.Board			R379	06S15615Y69	RES,RK 682J 1/16 -CP
MAIN-P.W.Board			R380	06S15615Y91	RES,RK 563J 1/16 -CP
MAIN-P.W.Board			R381	06S15615Y91	RES,RK 563J 1/16 -CP
MAIN-P.W.Board			R382	06S55365Y47	RES,RK 181J 1/10 -CP
MAIN-P.W.Board			R383	06S55365Y47	RES,RK 181J 1/10 -CP
MAIN-P.W.Board			R384	06S55365Y41	RES,RK 101J 1/10 -CP
MAIN-P.W.Board			R385	06S55365Y41	RES,RK 101J 1/10 -CP
MAIN-P.W.Board			R500	06S15615Y89	RES,RK 473J 1/16 -CP
MAIN-P.W.Board			R501	06S45674W97	RES,RK 473J 1/10 -CP
MAIN-P.W.Board			R502	06S15615Y25	RES,RK 101J 1/16 -CP
MAIN-P.W.Board			R503	06S45674W33	RES,RK 101J 1/10 -CP
MAIN-P.W.Board			R504	06S45674W97	RES,RK 473J 1/10 -CP
MAIN-P.W.Board			R505	06S45674W97	RES,RK 473J 1/10 -CP
MAIN-P.W.Board			R506	06S15616Y22	RES,RK 105J 1/16 -CP
MAIN-P.W.Board			R507	06S45674W97	RES,RK 473J 1/10 -CP
MAIN-P.W.Board			R508	06S45674W97	RES,RK 473J 1/10 -CP
MAIN-P.W.Board			R512	06S45674W33	RES,RK 101J 1/10 -CP
MAIN-P.W.Board			R513	06S15615Y25	RES,RK 101J 1/16 -CP
MAIN-P.W.Board			R514	06S45674W57	RES,RK 102J 1/10 -CP
MAIN-P.W.Board			R515	06S45674W89	RES,RK 223J 1/10 -CP
MAIN-P.W.Board			R516	06S15615Y59	RES,RK 272J 1/16 -CP
MAIN-P.W.Board			R517	06S15615Y59	RES,RK 272J 1/16 -CP
MAIN-P.W.Board			R518	06S45674W89	RES,RK 223J 1/10 -CP
MAIN-P.W.Board			R519	06S15615Y81	RES,RK 223J 1/16 -CP
MAIN-P.W.Board			R520	06S45674W89	RES,RK 223J 1/10 -CP
MAIN-P.W.Board			R523	06S15615Y59	RES,RK 272J 1/16 -CP
MAIN-P.W.Board			R524	06S15615Y59	RES,RK 272J 1/16 -CP
MAIN-P.W.Board			R525	06S15615Y59	RES,RK 272J 1/16 -CP
MAIN-P.W.Board			R526	06S15615Y25	RES,RK 101J 1/16 -CP
MAIN-P.W.Board			R527	06S15615Y81	RES,RK 223J 1/16 -CP
MAIN-P.W.Board			R528	06S15615Y59	RES,RK 272J 1/16 -CP
MAIN-P.W.Board			R529	06S15615Y81	RES,RK 223J 1/16 -CP
MAIN-P.W.Board			R530	06S15615Y81	RES,RK 223J 1/16 -CP
MAIN-P.W.Board			R531	06S15615Y25	RES,RK 101J 1/16 -CP
MAIN-P.W.Board			R532	06S45674W89	RES,RK 223J 1/10 -CP
MAIN-P.W.Board			R533	06S45674W57	RES,RK 102J 1/10 -CP
MAIN-P.W.Board			R535	06S15615Y73	RES,RK 103J 1/16 -CP

P.W.Board	MIS	MODEL	Ref.	Parts No.	Parts Name
MAIN-P.W.Board			R537	06S45674W57	RES,RK 102J 1/10 -CP
MAIN-P.W.Board			R539	06S15615Y25	RES,RK 101J 1/16 -CP
MAIN-P.W.Board			R542	06S45674W57	RES,RK 102J 1/10 -CP
MAIN-P.W.Board			R543	06S45674W57	RES,RK 102J 1/10 -CP
MAIN-P.W.Board			R544	06S45674W57	RES,RK 102J 1/10 -CP
MAIN-P.W.Board			R545	06S45674W57	RES,RK 102J 1/10 -CP
MAIN-P.W.Board			R547	06S45674W57	RES,RK 102J 1/10 -CP
MAIN-P.W.Board			R548	06S45674W57	RES,RK 102J 1/10 -CP
MAIN-P.W.Board			R549	06S45674W57	RES,RK 102J 1/10 -CP
MAIN-P.W.Board			R555	06S45674W57	RES,RK 102J 1/10 -CP
MAIN-P.W.Board			R556	06S15615Y25	RES,RK 101J 1/16 -CP
MAIN-P.W.Board			R559	06S15615Y25	RES,RK 101J 1/16 -CP
MAIN-P.W.Board			R566	06S45674W57	RES,RK 102J 1/10 -CP
MAIN-P.W.Board			R600	06S15615Y49	RES,RK 102J 1/16 -CP
MAIN-P.W.Board			R601	06S70072F53	RES,CP .102-J-1/4-CP
MAIN-P.W.Board			R602	06S70072F53	RES,CP .102-J-1/4-CP
MAIN-P.W.Board			R604	06S45674W81	RES,RK 103J 1/10 -CP
MAIN-P.W.Board			R605	06S45674W33	RES,RK 101J 1/10 -CP
MAIN-P.W.Board			R610	06S15615Y49	RES,RK 102J 1/16 -CP
MAIN-P.W.Board			R701	06S45675W43	RES,RK JUMPER1/10-CP
MAIN-P.W.Board			R702	06S15615Y89	RES,RK 473J 1/16 -CP
MAIN-P.W.Board			R703	06S15615Y25	RES,RK 101J 1/16 -CP
MAIN-P.W.Board			R704	06S15615Y25	RES,RK 101J 1/16 -CP
MAIN-P.W.Board			R705	06S15615Y89	RES,RK 473J 1/16 -CP
MAIN-P.W.Board			R706	06S15615Y65	RES,RK 472J 1/16 -CP
MAIN-P.W.Board			R707	06S15615Y31	RES,RK 181J 1/16 -CP
MAIN-P.W.Board			R708	06S15615Y25	RES,RK 101J 1/16 -CP
MAIN-P.W.Board			R709	06S15615Y89	RES,RK 473J 1/16 -CP
MAIN-P.W.Board			R710	06S15615Y89	RES,RK 473J 1/16 -CP
MAIN-P.W.Board			R712	06S15615Y89	RES,RK 473J 1/16 -CP
MAIN-P.W.Board			R713	06S15615Y89	RES,RK 473J 1/16 -CP
MAIN-P.W.Board			R714	06S15615Y81	RES,RK 223J 1/16 -CP
MAIN-P.W.Board			R718	06S15615Y81	RES,RK 223J 1/16 -CP
MAIN-P.W.Board			R719	06S15615Y81	RES,RK 223J 1/16 -CP
MAIN-P.W.Board			R720	06S15615Y81	RES,RK 223J 1/16 -CP
MAIN-P.W.Board			R721	06S15615Y81	RES,RK 223J 1/16 -CP
MAIN-P.W.Board			R722	06S15615Y77	RES,RK 153J 1/16 -CP
MAIN-P.W.Board			R723	06S15615Y77	RES,RK 153J 1/16 -CP
MAIN-P.W.Board			R724	06S45675W30	RES,RK 105J 1/10 -CP
MAIN-P.W.Board			R725	06S15615Y81	RES,RK 223J 1/16 -CP
MAIN-P.W.Board			R726	06S15615Y81	RES,RK 223J 1/16 -CP
MAIN-P.W.Board			R727	06S15615Y49	RES,RK 102J 1/16 -CP
MAIN-P.W.Board			R728	06S15615Y89	RES,RK 473J 1/16 -CP
MAIN-P.W.Board			R729	06S15615Y89	RES,RK 473J 1/16 -CP
MAIN-P.W.Board			R731	06S15615Y89	RES,RK 473J 1/16 -CP


P.W.Board	MIS	MODEL	Ref.	Parts No.	Parts Name
MAIN-P.W.Board			R734	06S15615Y89	RES,RK 473J 1/16 -CP
MAIN-P.W.Board			R735	06S15615Y89	RES,RK 473J 1/16 -CP
MAIN-P.W.Board			R739	06S15615Y89	RES,RK 473J 1/16 -CP
MAIN-P.W.Board			R740	06S15615Y89	RES,RK 473J 1/16 -CP
MAIN-P.W.Board			R741	06S15615Y89	RES,RK 473J 1/16 -CP
MAIN-P.W.Board			R745	06S15615Y89	RES,RK 473J 1/16 -CP
MAIN-P.W.Board			R746	06S15615Y89	RES,RK 473J 1/16 -CP
MAIN-P.W.Board			R760	06S15615Y49	RES,RK 102J 1/16 -CP
MAIN-P.W.Board			R761	06S15616Y22	RES,RK 105J 1/16 -CP
MAIN-P.W.Board			R762	06S15615Y33	RES,RK 221J 1/16 -CP
MAIN-P.W.Board			R763	06S15615Y89	RES,RK 473J 1/16 -CP
MAIN-P.W.Board			R764	06S15615Y89	RES,RK 473J 1/16 -CP
MAIN-P.W.Board			R765	06S15616Y18	RES,RK 684J 1/16 -CP
MAIN-P.W.Board			R766	06S15615Y77	RES,RK 153J 1/16 -CP
MAIN-P.W.Board			R767	06S15615Y89	RES,RK 473J 1/16 -CP
MAIN-P.W.Board			R769	06S15615Y83	RES,RK 273J 1/16 -CP
MAIN-P.W.Board			R770	06S15615Y61	RES,RK 332J 1/16 -CP
MAIN-P.W.Board			R771	06S55365Y33	RES,RK 47RJ 1/10 -CP
MAIN-P.W.Board			R772	06S55365Y33	RES,RK 47RJ 1/10 -CP
MAIN-P.W.Board			R773	06S15615Y25	RES,RK 101J 1/16 -CP
MAIN-P.W.Board			R774	06S15615Y91	RES,RK 563J 1/16 -CP
MAIN-P.W.Board			R776	06S15615Y63	RES,RK 392J 1/16 -CP
MAIN-P.W.Board			R777	06S15615Y25	RES,RK 101J 1/16 -CP
MAIN-P.W.Board			R778	06S15615Y89	RES,RK 473J 1/16 -CP
MAIN-P.W.Board			R779	06S15615Y81	RES,RK 223J 1/16 -CP
MAIN-P.W.Board			R782	06S15615Y67	RES,RK 562J 1/16 -CP
MAIN-P.W.Board			R783	06S15615Y67	RES,RK 562J 1/16 -CP
MAIN-P.W.Board			R784	06S15615Y79	RES,RK 183J 1/16 -CP
MAIN-P.W.Board			R785	06S15615Y91	RES,RK 563J 1/16 -CP
MAIN-P.W.Board			R786	06S15615Y25	RES,RK 101J 1/16 -CP
MAIN-P.W.Board			R787	06S15615Y25	RES,RK 101J 1/16 -CP
MAIN-P.W.Board			R788	06S70072F90	RES,CP .1R0-J-1/4-CP
MAIN-P.W.Board			R789	06S15615Y91	RES,RK 563J 1/16 -CP
MAIN-P.W.Board			R790	06S15616Y23	RES,RK JUMPER1/16-CP
MAIN-P.W.Board			R791	06S15616Y23	RES,RK JUMPER1/16-CP
MAIN-P.W.Board			R795	06S15615Y73	RES,RK 103J 1/16 -CP
MAIN-P.W.Board			R796	06S15615Y89	RES,RK 473J 1/16 -CP
MAIN-P.W.Board			R798	06S15615Y89	RES,RK 473J 1/16 -CP
MAIN-P.W.Board			R802	06S55365Y41	RES,RK 101J 1/10 -CP
MAIN-P.W.Board			R803	06S45675W06	RES,RK 104J 1/10 -CP
MAIN-P.W.Board			R804	06S15615Y25	RES,RK 101J 1/16 -CP
MAIN-P.W.Board			R805	06S15615Y89	RES,RK 473J 1/16 -CP
MAIN-P.W.Board			R806	06S15615Y25	RES,RK 101J 1/16 -CP
MAIN-P.W.Board			R807	06S55365Y41	RES,RK 101J 1/10 -CP
MAIN-P.W.Board			R808	06S15615Y89	RES,RK 473J 1/16 -CP





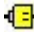
P.W.Board	MIS	MODEL	Ref.	Parts No.	Parts Name
MAIN-P.W.Board			R809	06S55365Y41	RES,RK 101J 1/10 -CP
MAIN-P.W.Board			R811	06S65415Y49	RES,RK 104F 1/16 -CP
MAIN-P.W.Board			R812	06S35095Y01	RES,RK 333J 1/4 -CP
MAIN-P.W.Board			R813	06S35083Y34	RES,RK 562F 1/4 -CP
MAIN-P.W.Board			R814	06S65415Y34	RES,RK 562F 1/16 -CP
MAIN-P.W.Board			R815	06S65415Y43	RES,RK 333F 1/16 -CP
MAIN-P.W.Board			R816	06S65415Y42	RES,RK 273F 1/16 -CP
MAIN-P.W.Board			R817	06S70072F77	RES,CP .103-J-1/4-CP
MAIN-P.W.Board			R818	06S65415Y41	RES,RK 223F 1/16 -CP
MAIN-P.W.Board			R820	06S15593Y49	RES,RK 102F 1/10 -CP
MAIN-P.W.Board			R821	06S15593Y77	RES,RK 153F 1/10 -CP
MAIN-P.W.Board			R822	06S15593Y41	RES,RK 471F 1/10 -CP
MAIN-P.W.Board			R823	06S15615Y49	RES,RK 102J 1/16 -CP
MAIN-P.W.Board			R826	06-02713Z18	RES,RK 153D 1/16 -CP
MAIN-P.W.Board			R827	06-02713Z29	RES,RK 561D 1/16 -CP
MAIN-P.W.Board			R828	06-02713Z65	RES,RK 512D 1/16 -CP
MAIN-P.W.Board			R831	06S45674W97	RES,RK 473J 1/10 -CP
MAIN-P.W.Board			R832	06S45675W06	RES,RK 104J 1/10 -CP
MAIN-P.W.Board			R833	06S45674W97	RES,RK 473J 1/10 -CP
MAIN-P.W.Board			R834	06S45674W97	RES,RK 473J 1/10 -CP
MAIN-P.W.Board			R836	06S15615Y49	RES,RK 102J 1/16 -CP
MAIN-P.W.Board			R837	06S15615Y13	RES,RK 33RJ 1/16 -CP
MAIN-P.W.Board			R840	06S55366Y06	RES,RK 473J 1/10 -CP
MAIN-P.W.Board			R841	06S55365Y66	RES,RK 112J 1/10 -CP
MAIN-P.W.Board			R842	06S55366Y02	RES,RK 333J 1/10 -CP
MAIN-P.W.Board			R843	06S55365Y83	RES,RK 562J 1/10 -CP
MAIN-P.W.Board			R903	06S45675W43	RES,RK JUMPER1/10-CP
MAIN-P.W.Board			R907	06S45675W30	RES,RK 105J 1/10 -CP
MAIN-P.W.Board			R908	06S45674W89	RES,RK 223J 1/10 -CP
MAIN-P.W.Board			R909	06S70072F29	RES,CP .101-J-1/4-CP
MAIN-P.W.Board			R910	06S45674W65	RES,RK 222J 1/10 -CP
MAIN-P.W.Board			R911	06S45674W69	RES,RK 332J 1/10 -CP
MAIN-P.W.Board			R912	06S45674W89	RES,RK 223J 1/10 -CP
MAIN-P.W.Board			R913	06S45674W57	RES,RK 102J 1/10 -CP
MAIN-P.W.Board			RA501	06S15771Y37	RES,ARYEXB28V103J-CP
MAIN-P.W.Board			RA502	06S15771Y13	RES,ARYEXB28V101J-CP
MAIN-P.W.Board			RA503	06S15771Y13	RES,ARYEXB28V101J-CP
MAIN-P.W.Board			RA504	06S15771Y13	RES,ARYEXB28V101J-CP
MAIN-P.W.Board			RA505	06S15771Y13	RES,ARYEXB28V101J-CP
MAIN-P.W.Board			RA506	06S15771Y13	RES,ARYEXB28V101J-CP
MAIN-P.W.Board			RA701	06S15771Y45	RES,ARYEXB28V473J-CP
MAIN-P.W.Board			RA702	06S15771Y45	RES,ARYEXB28V473J-CP
MAIN-P.W.Board			RA703	06S15771Y33	RES,ARY 472J 4 -CP
MAIN-P.W.Board			RA704	06S15771Y33	RES,ARY 472J 4 -CP
MAIN-P.W.Board			RA706	06S15771Y45	RES,ARYEXB28V473J-CP

P.W.Board	MIS	MODEL	Ref.	Parts No.	Parts Name
MAIN-P.W.Board			RA707	06S15771Y13	RES,ARYEXB28V101J-CP
MAIN-P.W.Board			RA708	06S15771Y13	RES,ARYEXB28V101J-CP
MAIN-P.W.Board			RA709	06S15771Y13	RES,ARYEXB28V101J-CP
MAIN-P.W.Board			RA710	06S15771Y13	RES,ARYEXB28V101J-CP
MAIN-P.W.Board			RA711	06S15771Y13	RES,ARYEXB28V101J-CP
MAIN-P.W.Board			RA712	06S15771Y13	RES,ARYEXB28V101J-CP
MAIN-P.W.Board			RA713	06S15771Y45	RES,ARYEXB28V473J-CP
MAIN-P.W.Board			RA717	06S15771Y45	RES,ARYEXB28V473J-CP
MAIN-P.W.Board			RA718	06S15771Y49	RES,ARYEXB28V104J-CP
MAIN-P.W.Board			SA101	48-00954Z01	VST,CSA30C201M-T -CP
MAIN-P.W.Board			SW801	40T16096W03	SW ,TACT SKHHLW
MAIN-P.W.Board			VT102	24-17683Z01	COIL,IFT1 FM 5CCE-E6
MAIN-P.W.Board			VT301	24-02502Z02	ASSY,W277A001 -DB
MAIN-P.W.Board			XL101	91-16024Z03	XTL,AT-41CD2 4.00-E9
MAIN-P.W.Board			XL501	91-16093Z02	XTL,NX3215SA 32.7-E1
MAIN-P.W.Board			XL502	91-16024Z08	XTL,AT-41CD2 8.19-E9
MAIN-P.W.Board			XL701	91-16024Z09	XTL,AT-41CD2 9.00-E9
MAIN-P.W.Board			XL702	91-16093Z01	XTL,NX3215SA 32.7-E1
MAIN-P.W.Board			XL703	91-16024Z07	XTL,AT-41CD2 16.9-E9
MAIN-P.W.Board			Z501	91T15509Y08	EMI,BK1608HM102 -CP
MAIN-P.W.Board			Z702	91T75196Y08	EMI,BK1005HW601 -CP
MAIN-P.W.Board			ZD301	48-02592Z01	DIO,ZEN Z5W27VJ -EA
MAIN-P.W.Board			ZD500	48-21149Z19	DIO,ZEN DZ2J051L0LCP
MAIN-P.W.Board			ZD700	48-18196Z02	DIO,ZEN DZ2S051M0LCP
MAIN-P.W.Board			ZD701	48-18196Z02	DIO,ZEN DZ2S051M0LCP
FRONT-P.W.Board			C401	08S65667Y03	CAP,CER 474KX5R1A-CP
FRONT-P.W.Board			C402	08S45676W89	CAP,CER 473K-B1E -CP
FRONT-P.W.Board			C403	08S45676W89	CAP,CER 473K-B1E -CP
FRONT-P.W.Board			C404	08S35374W12	CAP,CER 106K-B0J -CP
FRONT-P.W.Board			C405	08S45676W65	CAP,CER.222K-B1H -CP
FRONT-P.W.Board			C406	08S45676W65	CAP,CER.222K-B1H -CP
FRONT-P.W.Board			C407	08S45676W65	CAP,CER.222K-B1H -CP
FRONT-P.W.Board			C408	08S45231Y28	CAP,CER 181J-CH1H-CP
FRONT-P.W.Board			C409	08S45676W65	CAP,CER.222K-B1H -CP
FRONT-P.W.Board			C410	08S45677W58	CAP,CER 821J-CH1H-CP
FRONT-P.W.Board			C411	08S65667Y03	CAP,CER 474KX5R1A-CP
FRONT-P.W.Board			CB401	09-18716Z01	BTB,DF20-P -EJ
FRONT-P.W.Board			D401	48-05472Z01	DIO,1SS272-L -CP
FRONT-P.W.Board			D402	48-17623Z01	DIO,DA2J10100L -CP
FRONT-P.W.Board			D403	48-17623Z01	DIO,DA2J10100L -CP
FRONT-P.W.Board			D404	48-07015Z01	DIO,KDS160-RTK -CP
FRONT-P.W.Board			D405	48-17623Z01	DIO,DA2J10100L -CP
FRONT-P.W.Board			D406	48-12230Z01	DIO,KDS226-RTK -CP
FRONT-P.W.Board			D407	48-17623Z01	DIO,DA2J10100L -CP
FRONT-P.W.Board			D408	48-17623Z01	DIO,DA2J10100L -CP

P.W.Board	MIS	MODEL	Ref.	Parts No.	Parts Name
FRONT-P.W.Board			D409	48-05472Z01	DIO,1SS272-L -CP
FRONT-P.W.Board			D410	48-17547Z01	DIO,DA3J101F0L -CP
FRONT-P.W.Board			D411	48-17547Z01	DIO,DA3J101F0L -CP
FRONT-P.W.Board			D412	48-17547Z01	DIO,DA3J101F0L -CP
FRONT-P.W.Board			D413	48-17547Z01	DIO,DA3J101F0L -CP
FRONT-P.W.Board			D422	48T94471F04	DIO,IMN10-T108 -CP
FRONT-P.W.Board			IC401	51T02347K01	PT6583LQ(L) -QT
FRONT-P.W.Board			IC402	51-18623Z01	PNJ4L02M -NE1
FRONT-P.W.Board			JK401	09-18872Z01	JAC,1850383000322-DB
FRONT-P.W.Board			LCD401	65-20804Z01	LCD,TF5932M0TTN-FZ
FRONT-P.W.Board			LD401	48-15238Z01	LED,RED SML-D13L8WCP
FRONT-P.W.Board			LD402	48-15238Z01	LED,RED SML-D13L8WCP
FRONT-P.W.Board			LD403	48-15238Z01	LED,RED SML-D13L8WCP
FRONT-P.W.Board			LD404	48-15238Z01	LED,RED SML-D13L8WCP
FRONT-P.W.Board			LD405	48-15238Z01	LED,RED SML-D13L8WCP
FRONT-P.W.Board			LD406	48-15238Z01	LED,RED SML-D13L8WCP
FRONT-P.W.Board			LD407	48-15238Z01	LED,RED SML-D13L8WCP
FRONT-P.W.Board			LD408	48-15238Z01	LED,RED SML-D13L8WCP
FRONT-P.W.Board			LD409	48-15238Z01	LED,RED SML-D13L8WCP
FRONT-P.W.Board			LD410	48-15238Z01	LED,RED SML-D13L8WCP
FRONT-P.W.Board			LD411	48-15238Z01	LED,RED SML-D13L8WCP
FRONT-P.W.Board			LD412	48-15238Z01	LED,RED SML-D13L8WCP
FRONT-P.W.Board			LD413	48-15238Z01	LED,RED SML-D13L8WCP
FRONT-P.W.Board			LD414	48-15238Z01	LED,RED SML-D13L8WCP
FRONT-P.W.Board			LD415	48-15238Z01	LED,RED SML-D13L8WCP
FRONT-P.W.Board			LD416	48-15238Z01	LED,RED SML-D13L8WCP
FRONT-P.W.Board			LD417	48-15238Z01	LED,RED SML-D13L8WCP
FRONT-P.W.Board			LD419	48-13928Z01	LED,ARY QB.L.021 -DB
FRONT-P.W.Board			LD421	48-11865Z03	LED,GRN SML-D12P8WCP
FRONT-P.W.Board			LD422	48-11865Z03	LED,GRN SML-D12P8WCP
FRONT-P.W.Board			LD423	48-11865Z03	LED,GRN SML-D12P8WCP
FRONT-P.W.Board			LD424	48-11865Z03	LED,GRN SML-D12P8WCP
FRONT-P.W.Board			LD425	48-11865Z03	LED,GRN SML-D12P8WCP
FRONT-P.W.Board			LD426	48-11865Z03	LED,GRN SML-D12P8WCP
FRONT-P.W.Board			LD427	48-11865Z03	LED,GRN SML-D12P8WCP
FRONT-P.W.Board			LD428	48-11865Z03	LED,GRN SML-D12P8WCP
FRONT-P.W.Board			LD429	48-11865Z03	LED,GRN SML-D12P8WCP
FRONT-P.W.Board			LD430	48-11865Z03	LED,GRN SML-D12P8WCP
FRONT-P.W.Board			LD431	48-11865Z03	LED,GRN SML-D12P8WCP
FRONT-P.W.Board			LD432	48-11865Z03	LED,GRN SML-D12P8WCP
FRONT-P.W.Board			LD433	48-11865Z03	LED,GRN SML-D12P8WCP
FRONT-P.W.Board			LD434	48-11865Z03	LED,GRN SML-D12P8WCP
FRONT-P.W.Board			LD435	48-11865Z03	LED,GRN SML-D12P8WCP
FRONT-P.W.Board			LD436	48-11865Z03	LED,GRN SML-D12P8WCP
FRONT-P.W.Board			LD437	48-11865Z03	LED,GRN SML-D12P8WCP

P.W.Board	MIS	MODEL	Ref.	Parts No.	Parts Name
FRONT-P.W.Board			LD438	48-11865Z03	LED,GRN SML-D12P8WCP
FRONT-P.W.Board			LD439	48-11865Z03	LED,GRN SML-D12P8WCP
FRONT-P.W.Board			LD440	48-14200Z02	LED,BLU LNJ926W8C-CP
FRONT-P.W.Board			LD441	48-11865Z03	LED,GRN SML-D12P8WCP
FRONT-P.W.Board			LD456	48-15238Z01	LED,RED SML-D13L8WCP
FRONT-P.W.Board			LD458	48-11865Z01	LED,AMB SML-D12D8WCP
FRONT-P.W.Board			LD459	48-11866Z02	LED,GRN SMLE12EC6TCP
FRONT-P.W.Board			Q422	48-21758Z01	TR,DSC2001S0L -CP
FRONT-P.W.Board			Q423	48-04929Z07	TR,KRC107S-RTK -CP
FRONT-P.W.Board			Q424	48-04929Z07	TR,KRC107S-RTK -CP
FRONT-P.W.Board			Q425	48-04929Z07	TR,KRC107S-RTK -CP
FRONT-P.W.Board			Q426	48-04929Z07	TR,KRC107S-RTK -CP
FRONT-P.W.Board			Q427	48-13059Z01	TR,KTC2875-B-RTK -CP
FRONT-P.W.Board			Q428	48-13059Z01	TR,KTC2875-B-RTK -CP
FRONT-P.W.Board			R401	06S45674W57	RES,RK 102J 1/10 -CP
FRONT-P.W.Board			R402	06S45674W97	RES,RK 473J 1/10 -CP
FRONT-P.W.Board			R403	06S45674W97	RES,RK 473J 1/10 -CP
FRONT-P.W.Board			R404	06S45674W97	RES,RK 473J 1/10 -CP
FRONT-P.W.Board			R405	06S45674W97	RES,RK 473J 1/10 -CP
FRONT-P.W.Board			R406	06S45674W97	RES,RK 473J 1/10 -CP
FRONT-P.W.Board			R407	06S15593Y93	RES,RK 683F 1/10 -CP
FRONT-P.W.Board			R408	06S15593Y87	RES,RK 393F 1/10 -CP
FRONT-P.W.Board			R409	06S45674W73	RES,RK 472J 1/10 -CP
FRONT-P.W.Board			R410	06S65415Y25	RES,RK 102F 1/16 -CP
FRONT-P.W.Board			R411	06S65415Y25	RES,RK 102F 1/16 -CP
FRONT-P.W.Board			R412	06S65415Y25	RES,RK 102F 1/16 -CP
FRONT-P.W.Board			R414	06S35095Y08	RES,RK JUMPER 1/4-CP
FRONT-P.W.Board			R415	06S70072F50	RES,CP .751-J-1/4-CP
FRONT-P.W.Board			R422	06S70072F36	RES,CP .201-J-1/4-CP
FRONT-P.W.Board			R423	06S70072F17	RES,CP .33R-J-1/4-CP
FRONT-P.W.Board			R424	06S70072F17	RES,CP .33R-J-1/4-CP
FRONT-P.W.Board			R425	06S70072F54	RES,CP .112-J-1/4-CP
FRONT-P.W.Board			R426	06S55363Y65	RES,RK 102J 1/8 -CP
FRONT-P.W.Board			R427	06S55363Y65	RES,RK 102J 1/8 -CP
FRONT-P.W.Board			R428	06S70072F59	RES,CP .182-J-1/4-CP
FRONT-P.W.Board			R429	06S55363Y65	RES,RK 102J 1/8 -CP
FRONT-P.W.Board			R430	06S45674W73	RES,RK 472J 1/10 -CP
FRONT-P.W.Board			R431	06S55363Y65	RES,RK 102J 1/8 -CP
FRONT-P.W.Board			R432	06S70072F46	RES,CP .511-J-1/4-CP
FRONT-P.W.Board			R433	06S45675W43	RES,RK JUMPER1/10-CP
FRONT-P.W.Board			R434	06S70072F49	RES,CP .681-J-1/4-CP
FRONT-P.W.Board			R435	06S70072F52	RES,CP .911-J-1/4-CP
FRONT-P.W.Board			R436	06S70072F49	RES,CP .681-J-1/4-CP
FRONT-P.W.Board			R437	06S70072F41	RES,CP .331-J-1/4-CP
FRONT-P.W.Board			R438	06S70072F41	RES,CP .331-J-1/4-CP

P.W.Board	MIS	MODEL	Ref.	Parts No.	Parts Name
FRONT-P.W.Board			R439	06S70072F41	RES,CP .331-J-1/4-CP
FRONT-P.W.Board			R440	06S70072F41	RES,CP .331-J-1/4-CP
FRONT-P.W.Board			R441	06S70072F41	RES,CP .331-J-1/4-CP
FRONT-P.W.Board			R445	06S55363Y65	RES,RK 102J 1/8 -CP
FRONT-P.W.Board			R446	06S70072F41	RES,CP .331-J-1/4-CP
FRONT-P.W.Board			R447	06S70072F46	RES,CP .511-J-1/4-CP
FRONT-P.W.Board			R448	06S70072F42	RES,CP .361-J-1/4-CP
FRONT-P.W.Board			R449	06S70072F45	RES,CP .471-J-1/4-CP
FRONT-P.W.Board			R450	06S70072F41	RES,CP .331-J-1/4-CP
FRONT-P.W.Board			R451	06S70072F50	RES,CP .751-J-1/4-CP
FRONT-P.W.Board			R452	06S45674W58	RES,RK 112J 1/10 -CP
FRONT-P.W.Board			R453	06S70072F57	RES,CP .152-J-1/4-CP
FRONT-P.W.Board			R454	06S70072F47	RES,CP .561-J-1/4-CP
FRONT-P.W.Board			R455	06S70072F41	RES,CP .331-J-1/4-CP
FRONT-P.W.Board			R456	06S70072F41	RES,CP .331-J-1/4-CP
FRONT-P.W.Board			R457	06S45674W58	RES,RK 112J 1/10 -CP
FRONT-P.W.Board			R458	06S70072F59	RES,CP .182-J-1/4-CP
FRONT-P.W.Board			R459	06S70072F59	RES,CP .182-J-1/4-CP
FRONT-P.W.Board			R460	06S70072F46	RES,CP .511-J-1/4-CP
FRONT-P.W.Board			R462	06S45675W43	RES,RK JUMPER1/10-CP
FRONT-P.W.Board			R463	06S55363Y65	RES,RK 102J 1/8 -CP
FRONT-P.W.Board			R465	06S55363Y65	RES,RK 102J 1/8 -CP
FRONT-P.W.Board			R466	06S55363Y65	RES,RK 102J 1/8 -CP
FRONT-P.W.Board			R467	06S70072F29	RES,CP .101-J-1/4-CP
FRONT-P.W.Board			R468	06S70072F59	RES,CP .182-J-1/4-CP
FRONT-P.W.Board			R470	06S70072F54	RES,CP .112-J-1/4-CP
FRONT-P.W.Board			R471	06S70072F50	RES,CP .751-J-1/4-CP
FRONT-P.W.Board			R472	06S70072F46	RES,CP .511-J-1/4-CP
FRONT-P.W.Board			RA401	06S15771Y25	RES,ARYEXB28V102J-CP
FRONT-P.W.Board			RA402	06S15771Y25	RES,ARYEXB28V102J-CP
FRONT-P.W.Board			RA403	06S15771Y25	RES,ARYEXB28V102J-CP
FRONT-P.W.Board			SK401	09-19382Z01	SKT,CM-V105 -DB
FRONT-P.W.Board			SW401	40T65353Y01	SW,TACT SKRSPACE010E2
FRONT-P.W.Board			SW402	40T65353Y01	SW,TACT SKRSPACE010E2
FRONT-P.W.Board			SW403	40T65353Y01	SW,TACT SKRSPACE010E2
FRONT-P.W.Board			SW404	40T65353Y01	SW,TACT SKRSPACE010E2
FRONT-P.W.Board			SW405	40T65353Y01	SW,TACT SKRSPACE010E2
FRONT-P.W.Board			SW406	40T65353Y01	SW,TACT SKRSPACE010E2
FRONT-P.W.Board			SW408	40T65353Y01	SW,TACT SKRSPACE010E2
FRONT-P.W.Board			SW409	40T65353Y01	SW,TACT SKRSPACE010E2
FRONT-P.W.Board			SW410	40T65353Y01	SW,TACT SKRSPACE010E2
FRONT-P.W.Board			SW411	40T65353Y01	SW,TACT SKRSPACE010E2
FRONT-P.W.Board			SW412	40T65353Y01	SW,TACT SKRSPACE010E2
FRONT-P.W.Board			SW413	40T65353Y01	SW,TACT SKRSPACE010E2
FRONT-P.W.Board			SW414	40T65353Y01	SW,TACT SKRSPACE010E2

P.W.Board	MIS	MODEL	Ref.	Parts No.	Parts Name
FRONT-P.W.Board			SW415	40T65353Y01	SW,TACT SKRSPACE010E2
FRONT-P.W.Board			SW416	40T65353Y01	SW,TACT SKRSPACE010E2
FRONT-P.W.Board			SW417	40-10735Z02	ENC,EC12D1524405 -DB
FRONT-P.W.Board			SW418	40T65353Y01	SW,TACT SKRSPACE010E2
FRONT-P.W.Board			Z401	91-14147Z01	EMI,ACM2012H-900 -CP
FRONT-P.W.Board			ZD401	48-18196Z02	DIO,ZEN DZ2S051M0LCP
FRONT-P.W.Board			ZD402	48-18196Z02	DIO,ZEN DZ2S051M0LCP
SW(DP33U8BV)- P.W.Board			CB101	09-09314Z01	FFC,IMSA9664S-11Y-EQ
SW(DP33U8BV)- P.W.Board			PT1	48-04836Z01	PHT,TR PS1191RB22-CP
SW(DP33U8BV)- P.W.Board			PT2	48-04836Z01	PHT,TR PS1191RB22-CP
SW(DP33U8BV)- P.W.Board			PT3	48-04836Z01	PHT,TR PS1191RB22-CP
SW(DP33U8BV)- P.W.Board			SW1	40T15494Y16	SW,DETCT SPVG1103-E6
FPC.PHOTO.VE- P.W.Board			C101	08S45677W42	CAP,CER.181J-CH1H-CP
FPC.PHOTO.VE- P.W.Board			C102	08S45677W42	CAP,CER.181J-CH1H-CP
FPC.PHOTO.VE- P.W.Board			C103	08S45677W42	CAP,CER.181J-CH1H-CP
FPC.PHOTO.VE- P.W.Board			LD101	48-01591Z01	LED,AN1105W-1-TR -CP
FPC.PHOTO.VE- P.W.Board			LD102	48-01591Z01	LED,AN1105W-1-TR -CP
FPC.PHOTO.VE- P.W.Board			LD103	48-01591Z01	LED,AN1105W-1-TR -CP
FPC.PHOTO.VE- P.W.Board			R101	06S45674W51	RES,RK 561J 1/10 -CP
FPC.PHOTO.VE- P.W.Board			R102	06S45674W51	RES,RK 561J 1/10 -CP
FPC.PHOTO.VE- P.W.Board			R103	06S45674W51	RES,RK 561J 1/10 -CP
Miscellaneous			HD1	EP-12502Z06	EP21A96NP
Miscellaneous			M1	66-19371Z75	ASSY,SPDL MTR 8BV
Miscellaneous			M2	66-13908Z44	ASSY,LD-SLED MTR AOTA 8BV