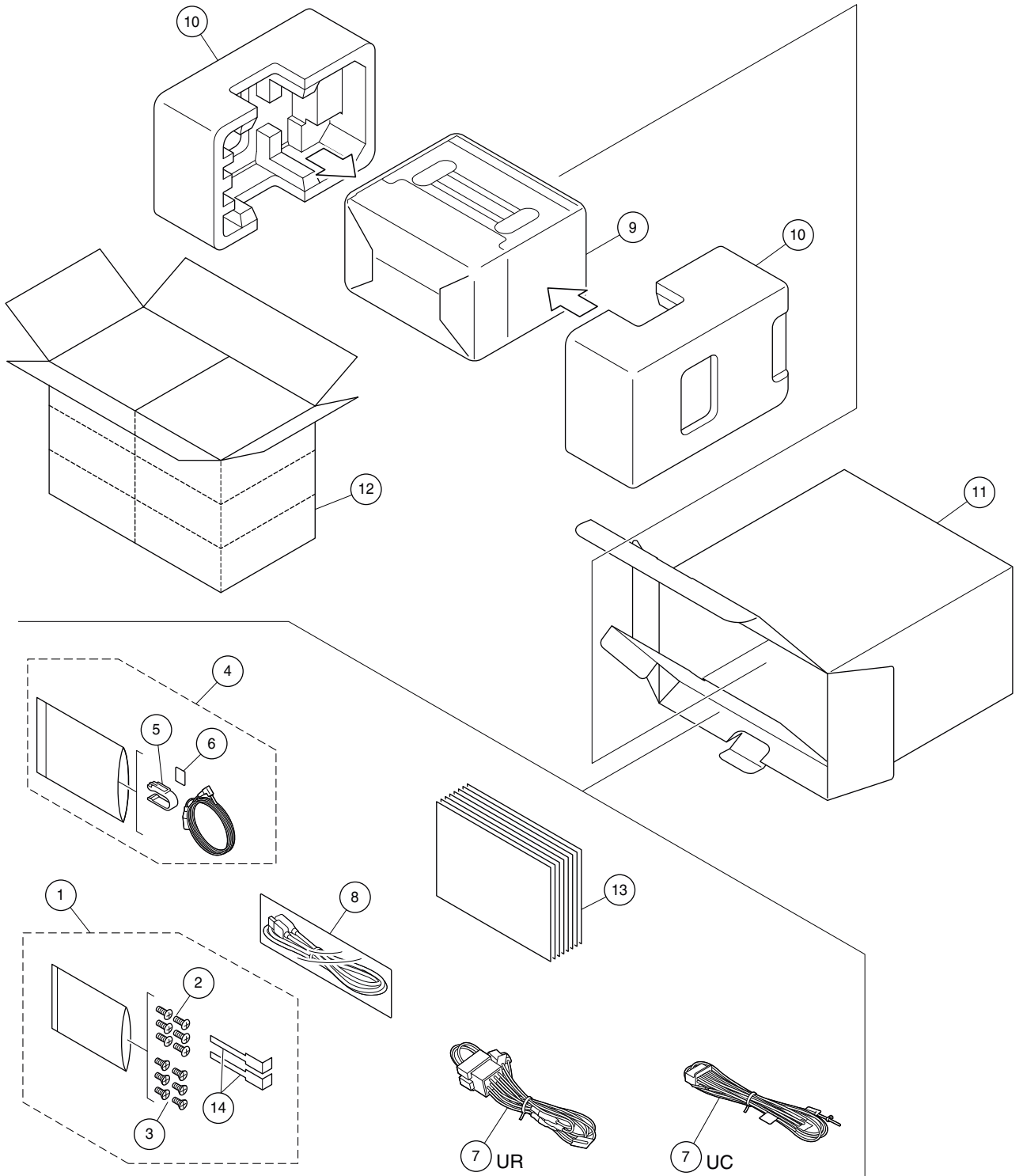


9. EXPLODED VIEWS AND PARTS LIST

- NOTES :
- Parts marked by "*" are generally unavailable because they are not in our Master Spare Parts List.
 - The Δ mark found on some component parts indicates the importance of the safety factor of the part. Therefore, when replacing, be sure to use parts of identical designation.
 - Screw adjacent to ∇ mark on the product are used for disassembly.
 - For the applying amount of lubricants or glue, follow the instructions in this manual.
(In the case of no amount instructions, apply as you think it appropriate.)

9.1 PACKING



(1) PACKING SECTION PARTS LIST

<u>Mark No.</u>	<u>Description</u>	<u>Part No.</u>	<u>Mark No.</u>	<u>Description</u>	<u>Part No.</u>
1	Accessory Assy	See Contrast table (2)	10	Protector	See Contrast table (2)
2	Screw (M5 x 9)	CBA2384			
3	Screw (M5 x 9)	See Contrast table (2)	11	Unit Box	See Contrast table (2)
4	Microphone Assy (3 m)	See Contrast table (2)	12	Contain Box	See Contrast table (2)
5	Holder	See Contrast table (2)	13-1	Quick Start Guide	See Contrast table (2)
			13-2	Installation Manual	See Contrast table (2)
6	Cushion	See Contrast table (2)	*	13-3 Warranty Card	See Contrast table (2)
7	Cord Assy	See Contrast table (2)			
8	Cord Assy	CDP1838	13-4	Owner's Manual	See Contrast table (2)
9	Cover	See Contrast table (2)	14	Handle	See Contrast table (2)

(2) CONTRAST TABLE

MVH-300EX/XNUC and MVH-A300V/XNUR are constructed the same except for the following:

Mark	No.	Description	MVH-300EX/XNUC	MVH-A300V/XNUR
	1	Accessory Assy	* CEC7756	CEW3027
	3	Screw (M5 x 9)	CBA2383	Not used
	4	Microphone Assy (3 m)	CPM1109	Not used
	5	Holder	CZN7192	Not used
	6	Cushion	CZN7193	Not used
	7	Cord Assy	CDP1837	CDP1697
	9	Cover	CEG1359	CEG1356
	10	Protector	CHP5517	CHP5547
	11	Unit Box	CHG9568	CHG9569
	12	Contain Box	CHL9568	CHL9569
	13-1	Quick Start Guide	CRD5067	Not used
	13-2	Installation Manual	CRD5068	Not used
*	13-3	Warranty Card	QRY3001	CRY1376
	13-4	Owner's Manual	See Contents of Web IM (3)	CRB5141
	14	Handle	Not used	CND7909

Owner's Manual, Quick Start Guide, Installation Manual

Part No.	Language
CRB5141	Russian
CRD5067	English, French, Spanish (Espanol)
CRD5068	English, French, Spanish (Espanol)

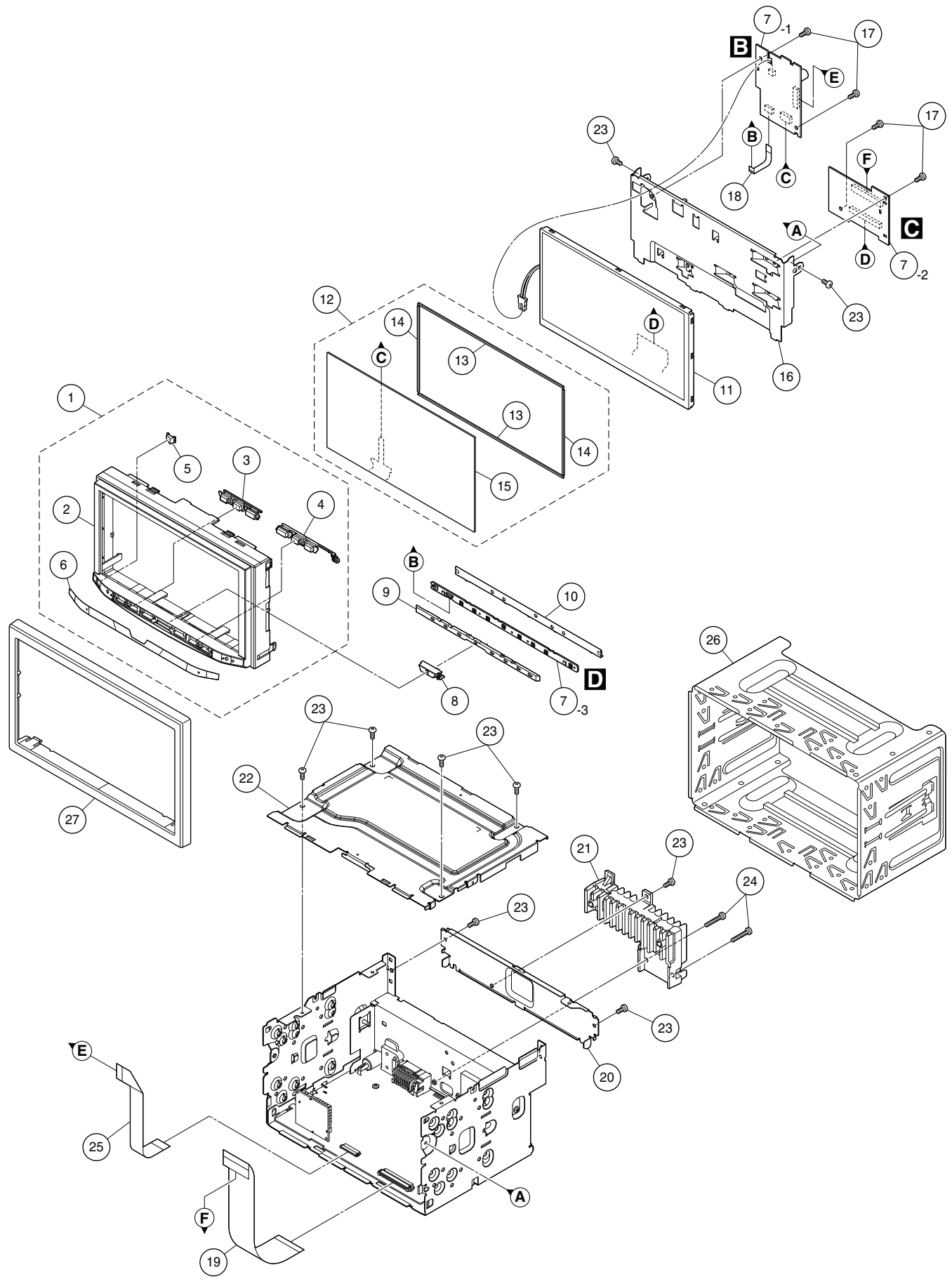
(3) CONTENTS OF Web IM

Part No.	Language
*CRI1056	English
*CRI1057	French
*CRI1058	Spanish (Espanol)

Above operation manuals are supplied in PDF files by the WEB.

Regarding the availability of paper manual, contact Pioneer Service representative in your region.

5
9.2 EXTERIOR (1)



MVH-300EX/XNUC

(1) EXTERIOR (1) SECTION PARTS LIST

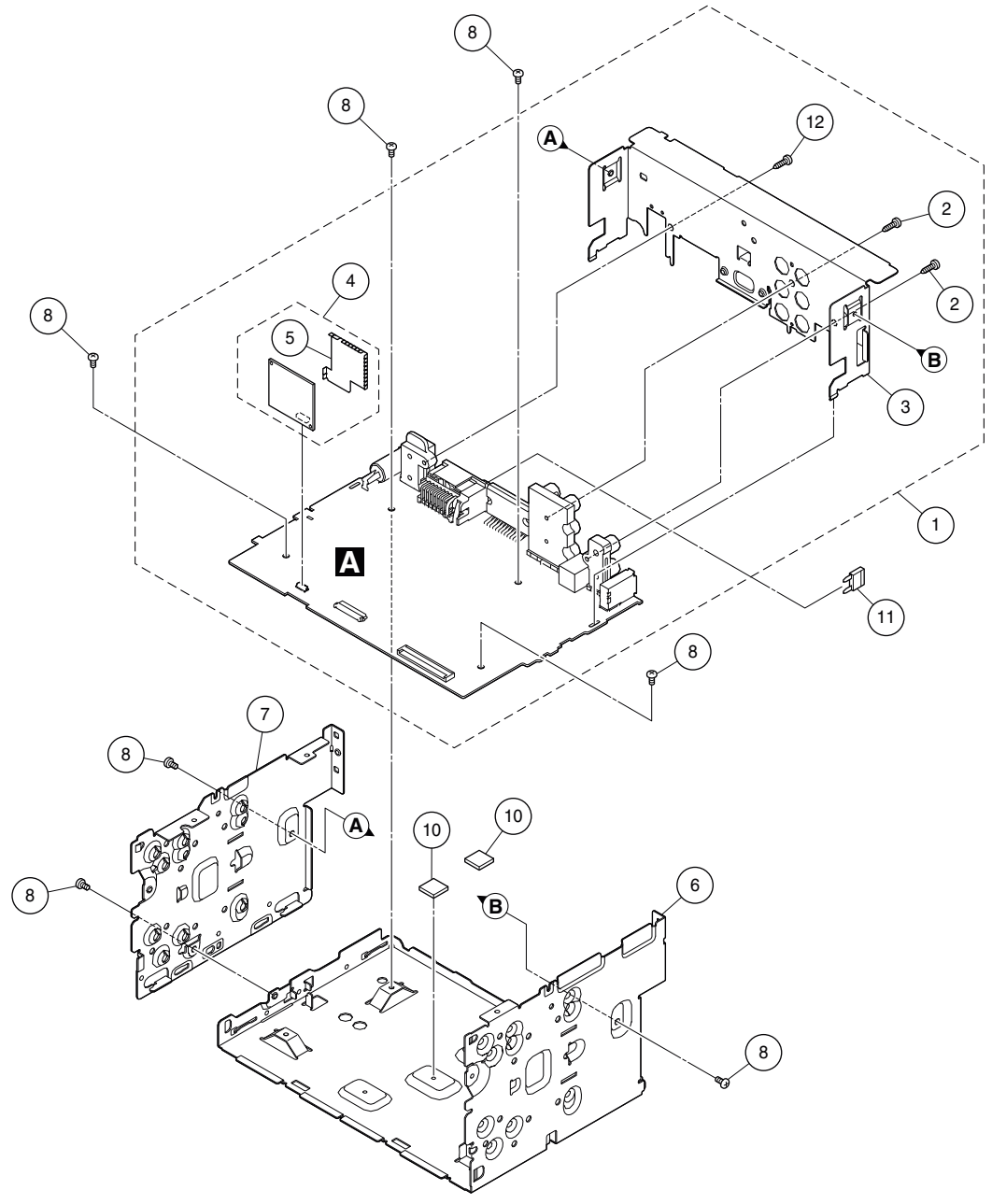
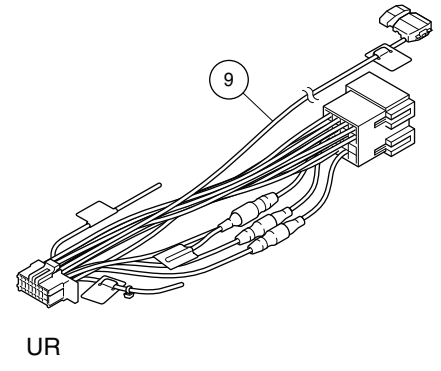
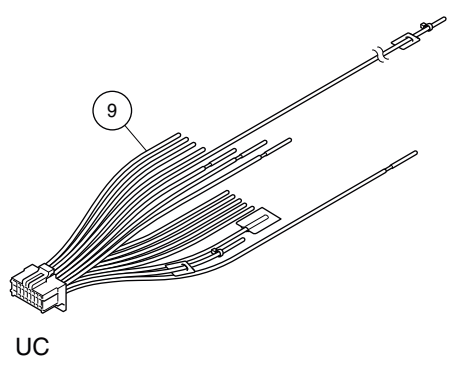
<u>Mark No.</u>	<u>Description</u>	<u>Part No.</u>	<u>Mark No.</u>	<u>Description</u>	<u>Part No.</u>
	1 Grille Assy	See Contrast table (2)	15	Touch Panel	CSX1241
A *	2 Grille	CNU4076			
*	3 Button (VOL)	CAI4319	16	Holder	CND7917
*	4 Button (<-, ->)	CAI4945	17	Screw	BSZ26P060FTC
*	5 Lighting Conductor	CNW3103	18	FFC	CDD1038
			19	FFC	CDD1258
*	6 Plate	See Contrast table (2)	20	Holder	See Contrast table (2)
	7 Monitor Key Unit	See Contrast table (2)			
	8 Button (TOP MENU)	CAI4318	21	Heat Sink	CNR2212
	9 Lighting Conductor	CNW3102	22	Case	CNB3945
	10 Holder	CNW3104	23	Screw	BSZ26P060FTC
			24	Screw	BSZ26P120FTC
B	11 TFT LCD	CWX4781	25	FFC	CDD1250
	12 Touch Panel Unit	CXE7770			
	13 Cushion	CNN4271	26	Holder	See Contrast table (2)
	14 Cushion	CNN4272	27	Panel	See Contrast table (2)

(2) CONTRAST TABLE

MVH-300EX/XNUC and MVH-A300V/XNUR are constructed the same except for the following:


<u>Mark</u>	<u>No.</u>	<u>Description</u>	<u>MVH-300EX/XNUC</u>	<u>MVH-A300V/XNUR</u>
C *	1	Grille Assy	CXF1519	CXF1520
	6	Plate	CNN5539	CNN5540
	7	Monitor Key Unit	CWF2549	CWF2550
	20	Holder	CND7863	CND7862
	26	Holder	Not used	CND7859
	27	Panel	Not used	CNU2645

9.3 EXTERIOR (2)



1 2 3 4

(1) EXTERIOR (2) SECTION PARTS LIST

<u>Mark No.</u>	<u>Description</u>	<u>Part No.</u>	<u>Mark No.</u>	<u>Description</u>	<u>Part No.</u>
1	Mother Unit	See Contrast table (2)	7	Bracket	CND7900
2	Screw	BPZ26P080FTC	8	Screw	BSZ26P060FTC
3	Holder	See Contrast table (2)	9	Cord Assy	See Contrast table (2)
4	BT Module	See Contrast table (2)	10	Heat Conduction Sheet	CNN5528
5	Shield Case	See Contrast table (2)			
			 11	Fuse (10 A)	YEK5001
6	Chassis	CNA3420	12	Screw	See Contrast table (2)

(2) CONTRAST TABLE

MVH-300EX/XNUC and MVH-A300V/XNUR are constructed the same except for the following:

Mark	No.	Description	MVH-300EX/XNUC	MVH-A300V/XNUR
	1	Mother Unit	CWF2528	CWF2530
	3	Holder	CND7860	CND7861
	4	BT Module	CWX4774	Not used
	5	Shield Case	YNC5123	Not used
	9	Cord Assy	CDP1837	CDP1697
	12	Screw	BPZ26P080FTC	Not used

12. ELECTRICAL PARTS LIST

NOTE:

- Parts whose parts numbers are omitted are subject to being not supplied.
- The part numbers shown below indicate chip components.

Chip Resistor

RS1/○S○○○○J,RS1/○○S○○○○J

Chip Capacitor (except for CQS.....)

CKS....., CCS....., CSZS.....

- The \triangle mark found on some component parts indicates the importance of the safety factor of the part. Therefore, when replacing, be sure to use parts of identical designation.
- The expression of the unit in this manual is shown by u instead of μ . Please do not make a mistake.

Circuit Symbol and No. Part No.

A: MVH-300EX/XNUC

B: MVH-A300V/XNUR

Unit Number : CWF2528 (A)

Unit Number : CWF2530 (B)

Unit Name : Mother Unit

Unit Number : CWF2549 (A)

Unit Number : CWF2550 (B)

Unit Name : Monitor Key Unit

A

Unit Number : CWF2528 (A)

Unit Number : CWF2530 (B)

Unit Name : Mother Unit

MISCELLANEOUS

IC 111	Logic IC	TC7SH32FUS2
IC 201	DC/DC CONV IC	KBD9876EFJ
IC 301	DC/DC CONV IC	KBD9876EFJ
IC 401	DC/DC CONV IC	MM3630BR
IC 501	Regulator IC	NJW4181U3-33B
IC 511	Regulator IC	MM1856A58N
IC 521	Regulator IC	NJM2872BF05
IC 541	Regulator IC	MM3479A33P
IC 551	Regulator IC	MM3479A13P
IC 561	Regulator IC	MM3479A33P
IC 571	Regulator IC	S-1333B33-M5
IC 581	Regulator IC(A)	S-1333B33-M5
IC 591	Regulator IC(A)	MM3479A18P
IC 601	Regulator IC	S-1333B33-M5
IC 611	Regulator IC	S-1333B33-M5
*IC 701	Flash Blank UC IC	MN103LFA5RXW
IC 702	Serial Flash Memory	MX25L1606EM2I-12G
IC 1001	IC(A)	337S3959
IC 1011	Flash ROM Unit	CVQ1114
IC 1041	Disc PRO SYS LSI	SPHE8288TQ-HLEK8
IC 1151	RAM IC	W9825G6KH-6
IC 1431	IC	NJW1351RB1
IC 1432	IC	CA0023AN

Circuit Symbol and No.	Part No.
IC 1701	DC/DC CONV IC
IC 1901	OP AMP IC(B)
IC 1902	OP AMP IC(B)
IC 8401	Tuner IC
IC 9001	E-VOL SYS LSI
IC 9201	Power AMP IC
Q 21	Bipolar TR
Q 31	Resistor Built-IN TR
Q 41	Bipolar TR
Q 51	Bipolar TR
Q 111	Resistor Built-IN TR
Q 112	Resistor Built-IN TR
Q 701	Dual Chip Transistor
Q 702	Transistor
Q 703	Transistor
Q 1001	Bipolar TR(A)
Q 1401	Transistor
Q 1402	Transistor
Q 1403	Transistor
Q 1701	Resistor Built-IN TR
Q 1702	Bipolar TR
Q 1801	Bipolar TR
Q 1802	Bipolar TR
Q 1901	Resistor Built-IN TR(B)
Q 1902	Bipolar TR(B)
Q 1903	Bipolar TR(B)
Q 1905	Resistor Built-IN TR(B)
Q 1906	Resistor Built-IN TR(B)
D 1	Diode
D 2	Diode
D 11	Diode
D 21	Zener Diode
D 22	Zener Diode
D 31	Switching Diode
D 51	Switching Diode
D 111	Switching Diode
D 201	Diode
D 301	Schottky Diode
D 401	Diode
D 501	Diode
D 514	Diode
D 551	Diode
D 552	Diode
D 701	Switching Diode

Part No.
R1294L103A
NJM8065RB1
NJM8065RB1
TEF6686AHN
PM9015A
TCB501HQ
HN1C01FUS1
LTC014EEB
LSCR523UB
LSAR523UB
LTC043ZEB
RN4987S1
HN1C03FU
UMF5N
UMF5N
LSAR523UB
EMH53
EMH53
EMH53
LTC024EEB
LSAR523UB
LSAR523UB
HN1A01FUS1
LTC023EEB
LTC023EEB
S1JP
S1JP
RB080L-30
UDZV6R2(B)
UDZV6R8(B)
1SS355VM
1SS355VM
1SS355VM
RB056L-40
DB2J41100
RB080L-30
RB080L-30
S1JP
S1JP
S1JP

1

2

3

4

Circuit Symbol and No.**Part No.****Circuit Symbol and No.****Part No.**

D	1431	Diode	RSB18V	L	1437	Chip Beads	VTL1126	
D	1432	Diode	RSB18V	L	1438	Chip Beads	VTL1126	
D	1434	Diode	RSB18V	L	1464	Chip Beads(A)	VTL1126	
A	D	1435	Diode	RSB18V	L	1465	Chip Beads(A)	VTL1126
D	1436	Diode	RSB18V	L	1471	Choke Coil	CTH1648	
D	1461	Diode(A)	RSB18V	L	1610	Chip Beads	VTL1126	
D	1462	Diode(A)	RSB18V	L	1611	Chip Beads	VTL1126	
D	1471	Diode	EZAEG2A50AX	L	1701	SMD SPL Inductor	CTH1650	
D	1472	Diode	EZAEG2A50AX	L	1801	Inductor	CTF1765	
D	1601	Schottky Diode	RB751SM-40	L	1901	Ferrite Bead(B)	CTF1528	
D	1602	Schottky Diode	RB751SM-40	L	8401	SMD Ferrite Beads	CTF1893	
D	1603	Diode	RSB18V	L	8403	Inductor	LCTC150K2125	
D	1604	Diode	RSB18V	L	8405	Inductor	LCMAR27J1608	
B	D	1701	Schottky Diode	RB551VM-30	L	8409	Inductor	CTF1389
D	1702	Diode	RB548W	X	701	Crystal Resonator 12.500 MHz	CSS1839	
D	1703	Diode	RB548W	X	1041	Crystal Oscillator	ASS7123	
D	1704	Diode	RB548W	X	8401	Crystal Resonator 9.216 MHz	CSS1888	
D	8435	Diode	EZAEG2A50AX	⚠	P301	Fuse 3.0 A	CEK1404	
D	8436	Diode	EZAEG2A50AX	⚠	P1401	Poly Switch	FSMD075-24R	
L	2	Choke Coil	CTH1636	⚠	P1431	Poly Switch	FSMD075-24R	
L	201	Inductor	CTH1625	⚠	P1601	Poly Switch	FSMD075-24R	
L	301	SMD SPL Inductor	CTH1584	P	8435	Surge Absorber	IMSA-6803-01Y900	
L	401	SMD SPL Inductor	CTH1584	F	9001	EMI Filter	CCG1142	
L	1002	Chip Beads	VTL1126	F	9201	EMI Filter	CCG1142	
L	1003	Chip Beads	VTL1126	F	9202	EMI Filter	CCG1142	
L	1004	Chip Beads	VTL1126	CN	901	B To B Connector(A)	CKS6346	
L	1006	Chip Beads	VTL1126	CN	1481	FFC/FPC Connector	CKS6643	
L	1007	Chip Beads	VTL1126	CN	1801	FFC/FPC Connector	CKS6807	
L	1008	Chip Beads	VTL1126	JA	1	Connector	CKM1613	
L	1009	Chip Beads	VTL1126	JA	1401	RCA Jack	CKB1113	
L	1010	Chip Beads	VTL1126	JA	1431	RCA Jack	CKB1117	
L	1012	Chip Beads	VTL1126	JA	1432	3.5 DIA Jack	CKN1106	
L	1013	Chip Beads	VTL1126	JA	1461	Jack(A)	CKN1103	
L	1014	Chip Beads	VTL1126	JA	1471	USB Jack	CKN1118	
L	1015	Chip Beads	VTL1126	JA	1601	3.5 DIA Jack(B)	CKS6437	
L	1016	Chip Beads	VTL1126	JA	8435	Antenna Jack	CKX1104	
L	1017	Chip Beads	VTL1126	VL	8401	Variable Coil	CTC1215	
L	1018	Chip Beads	VTL1126	U	901	BT Module(A)	CWX4774	
L	1019	Chip Beads	VTL1126					
L	1020	Chip Beads	VTL1126					
L	1021	Inductor	CTF1786					
L	1022	Chip Beads	VTL1126	R	21		RS1/16SS103J	
L	1023	Chip Beads	VTL1126	R	22		RS1/16SS473J	
L	1024	Chip Beads	VTL1126	R	23		RS1/16SS472J	
L	1025	Chip Beads	VTL1126	R	24		RS1/16SS104J	
L	1026	Inductor	CTF1786	R	25		RS1/16SS473J	
L	1027	Chip Beads	VTL1126	R	26	1 kohm	CCN1326	
L	1041	Inductor	LCTC4R7K1608	R	31		RS1/16SS103J	
L	1151	Inductor	CTF1786	R	32		RS1/16SS472J	
L	1401	Chip Beads	VTL1126	R	33	1 kohm	CCN1326	
L	1402	Chip Beads	VTL1126	R	41		RS1/16SS102J	
L	1403	Chip Beads	VTL1126	R	44		RS1/16SS561J	
L	1404	Chip Beads	VTL1126	R	45	3.9 kohm	CCN1352	
L	1405	Chip Beads	VTL1126	R	51		RS1/16SS102J	
L	1406	Chip Beads	VTL1126	R	52		RS1/16SS473J	
L	1431	Chip Beads	VTL1126	R	53		RS1/16SS223J	
L	1433	SMD SPL Inductor	LCYA100J2016	R	54		RS1/16SS103J	
L	1434	Chip Beads	VTL1126	R	102		RS1/16SS103J	
L	1435	Chip Beads	VTL1126	R	113		RS1/16SS473J	
L	1436	Chip Beads	VTL1126	R	114		RS1/16SS104J	
L	1436	Chip Beads	VTL1126	R	115		RS1/16SS221J	

RESISTORS

1

2

3

4

5		6	7		8
<u>Circuit Symbol and No.</u>		<u>Part No.</u>	<u>Circuit Symbol and No.</u>		<u>Part No.</u>
R	116	RS1/16SS0R0J	R	742	RS1/16SS101J
R	117	RS1/10SR102J	R	743	RS1/16SS101J
R	201	RS1/16SS3601D	R	745	RS1/16SS471J
R	202	RS1/16SS3602D	R	746	RS1/16SS101J
R	203	RS1/16SS1202D	R	747	RS1/16SS822J
R	204	RS1/16SS822J	R	748	RS1/16SS473J
R	208	RS1/8SQ331J	R	749	RS1/16SS473J
R	301	RS1/16SS3301D	R	750	RS1/16SS473J
R	302	RS1/16SS8202D	R	753	RS1/16SS473J
R	303	RS1/16SS1202D	R	757 (B)	RS1/16SS104J
R	304	RS1/16SS153J	R	758 (B)	RS1/16SS104J
R	308	RS1/4S561J	R	760 (A)	RS1/16SS104J
R	310	RS1/16SS0R0J	R	761 (B)	RS1/16SS104J
R	312	RS1/16SS0R0J	R	763	RS1/16SS104J
R	401	RS1/16SS622J	R	764	RS1/16SS473J
R	402	RS1/16SS3001D	R	765	RS1/16SS473J
R	403	RS1/16SS1602D	R	766	RS1/16SS101J
R	405	RS1/16SS2701D	R	767	RS1/16SS473J
R	406	RS1/16SS473J	R	768	RS1/16SS473J
R	407	RS1/16SS304J	R	769	RS1/16SS473J
R	408	0.16 ohm CCN1431	R	770	RS1/16SS102J
R	409	RS1/16SS471J	R	771	RS1/16SS102J
R	411	RS1/4SA331J	R	772	RS1/16SS222J
R	413	RS1/16SS0R0J	R	773	RS1/16SS222J
R	541	RS1/10SR0R0J	R	774	RS1/16SS103J
R	543	RS1/10SR0R0J	R	775	RS1/16SS103J
R	544	RS1/10SR0R0J	R	776	RS1/16SS103J
R	545	RS1/10SR0R0J	R	777	RS1/16SS103J
R	546	RS1/10SR0R0J	R	778	RS1/16SS105J
R	702	RS1/16SS104J	R	779	RS1/16SS105J
R	703	RS1/16SS221J	R	780	RS1/16SS473J
R	704	RS1/16SS221J	R	782	RS1/16SS473J
R	705	RS1/16SS221J	R	783	RS1/16SS104J
R	706	RS1/16SS473J	R	791	RS1/16SS101J
R	707	RS1/16SS101J	R	792	RS1/16SS101J
R	708	RS1/16SS101J	R	901 (A)	RS1/16SS473J
R	709	RS1/16SS473J	R	904 (A)	RS1/16SS102J
R	710	RS1/16SS104J	R	907 (A)	RS1/16SS101J
R	712	RS1/16SS221J	R	910 (A)	RS1/16SS101J
R	713	RS1/16SS471J	R	911 (A)	RS1/16SS222J
R	714	RS1/16SS471J	R	912 (A)	RS1/16SS101J
R	715	RS1/16SS472J	R	913 (A)	RS1/16SS101J
R	716	RS1/16SS472J	R	915 (A)	RS1/16SS222J
R	722	RS1/16SS102J	R	1001 (A)	RS1/16SS473J
R	724	RS1/16SS473J	R	1002 (A)	RS1/16SS472J
R	726	RS1/16SS102J	R	1003 (A)	RS1/16SS222J
R	727	RS1/16SS473J	R	1004 (A)	RS1/16SS222J
R	728	RS1/16SS104J	R	1005 (A)	RS1/16SS183J
R	729	RS1/16SS101J	R	1006 (A)	RS1/16SS101J
R	730	RS1/16SS473J	R	1007 (A)	RS1/16SS101J
R	731	RS1/16SS473J	R	1008 (A)	RS1/16SS473J
R	732	RS1/16SS102J	R	1011	RS1/16SS101J
R	734	RS1/16SS473J	R	1012	RS1/16SS101J
R	735	RS1/16SS101J	R	1013	RS1/16SS473J
R	736	RS1/16SS101J	R	1014	RS1/16SS473J
R	737 (A)	RS1/16SS101J	R	1015	RS1/16SS473J
R	738	RS1/16SS561J	R	1016	RS1/16SS221J
R	739	RS1/16SS473J	R	1017	RS1/16SS101J
R	740 (A)	RS1/16SS473J	R	1040	RS1/16SS332J
R	741	RS1/16SS473J	R	1041	RS1/16SS301J

	1		2		3		4	
	<u>Circuit Symbol and No.</u>		<u>Part No.</u>		<u>Circuit Symbol and No.</u>		<u>Part No.</u>	
	R	1047 91 ohm	CCN1424		R	1155	RS1/16SS181J	
	R	1048 91 ohm	CCN1424		R	1156	RS1/16SS181J	
A	R	1049 91 ohm	CCN1424		R	1157	RS1/16SS181J	
	R	1050	RS1/16SS103J		R	1158	RS1/16SS181J	
	R	1051	RS1/16SS101J		R	1159	RS1/16SS391J	
	R	1052	RS1/16SS103J		R	1160	RS1/16SS0R0J	
	R	1053	RS1/16SS101J		R	1161	RS1/16SS301J	
	R	1054	RS1/16SS101J		R	1162	RS1/16SS301J	
	R	1055	RS1/16SS105J		R	1163	RS1/16SS301J	
	R	1058	RS1/16SS101J		R	1164	RS1/16SS301J	
	R	1060	RS1/16SS101J		R	1165	RS1/16SS301J	
	R	1061	RS1/16SS473J		R	1166	RS1/16SS301J	
	R	1064	RS1/16SS221J		R	1167	RS1/16SS301J	
B	R	1065	RS1/16SS473J		R	1168	RS1/16SS301J	
	R	1066	RS1/16SS101J		R	1169	RS1/16SS181J	
	R	1068	RS1/16SS101J		R	1170	RS1/16SS181J	
	R	1069	RS1/16SS102J		R	1171	RS1/16SS181J	
	R	1070	RS1/16SS101J		R	1172	RS1/16SS181J	
	R	1072	RS1/16SS221J		R	1173	RS1/16SS181J	
	R	1073	RS1/16SS473J		R	1174	RS1/16SS181J	
	R	1075	RS1/16SS820J		R	1175	RS1/16SS181J	
	R	1077	RS1/16SS181J		R	1176	RS1/16SS181J	
	R	1078	RS1/16SS103J		R	1177	RS1/16SS391J	
	R	1079	RS1/16SS221J		R	1178	RS1/16SS391J	
C	R	1081	RS1/16SS221J		R	1179	RS1/16SS391J	
	R	1083	RS1/16SS101J		R	1180	RS1/16SS391J	
	R	1085	RS1/16SS101J		R	1181	RS1/16SS391J	
	R	1087	RS1/16SS101J		R	1182	RS1/16SS391J	
	R	1089	RS1/16SS101J		R	1183	RS1/16SS301J	
	R	1091	RS1/16SS101J		R	1184	RS1/16SS301J	
	R	1093	RS1/16SS101J		R	1185	RS1/16SS301J	
	R	1095	RS1/16SS101J		R	1186	RS1/16SS301J	
	R	1097	RS1/16SS101J		R	1187	RS1/16SS301J	
	R	1099	RS1/16SS101J		R	1408	RS1/16SS223J	
	R	1101	RS1/16SS101J		R	1409	RS1/16SS223J	
D	R	1103	RS1/16SS101J		R	1410	RS1/16SS223J	
	R	1105	RS1/16SS101J		R	1411	RS1/16SS223J	
	R	1107	RS1/16SS101J		R	1412	RS1/16SS223J	
	R	1109	RS1/16SS101J		R	1413	RS1/16SS223J	
	R	1111	RS1/16SS101J		R	1420	RS1/16SS821J	
	R	1114	RS1/16SS101J		R	1421	RS1/16SS821J	
	R	1116	RS1/16SS0R0J		R	1422	RS1/16SS821J	
	R	1117	RS1/16SS101J		R	1423	RS1/16SS821J	
	R	1118	RS1/16SS0R0J		R	1424	RS1/16SS821J	
	R	1119	RS1/16SS101J		R	1425	RS1/16SS821J	
E	R	1122	RS1/16SS0R0J		R	1431	RS1/16SS75R0D	
	R	1123	RS1/16SS101J		R	1432	RS1/16SS75R0D	
	R	1124	RS1/16SS0R0J		R	1433	RS1/16SS301J	
	R	1125	RS1/16SS0R0J		R	1438	RS1/16SS223J	
	R	1126	RS1/16SS0R0J		R	1439	RS1/16SS223J	
	R	1127	RS1/16SS0R0J		R	1440	RS1/16SS75R0D	
	R	1128	RS1/16SS0R0J		R	1442	RS1/16SS101J	
	R	1129	RS1/16SS0R0J		R	1443	RS1/16SS101J	
	R	1130	RS1/16SS0R0J		R	1444	RS1/10SR101J	
	R	1131	RS1/16SS0R0J		R	1445	RS1/10SR101J	
F	R	1149	RS1/16SS473J		R	1606	RS1/16SS102J	
	R	1151	RS1/16SS181J		R	1607	RS1/16SS102J	
	R	1152	RS1/16SS181J		R	1608	RS1/16SS103J	
	R	1153	RS1/16SS181J		R	1609	RS1/16SS103J	
	R	1154	RS1/16SS181J		R	1701	RS1/16SS1002D	

5		6	7	8	
<u>Circuit Symbol and No.</u>		<u>Part No.</u>	<u>Circuit Symbol and No.</u>	<u>Part No.</u>	
R	1702	RS1/16SS1002D	R	9010 (B)	RS1/16SS821J
R	1703	RS1/16SS8201D	<u>CAPACITORS</u>		
R	1706	RS1/10SR9102D			
R	1707	RS1/10SR1802D	C	11	CKSRYX104K50
R	1708	RS1/16SS203J	C	12	CEAT472M16
R	1709	RS1/16SS104J	C	31	CKSSYX105K16
R	1710	RS1/16SS103J	C	41	CKSSYB103K50
R	1711	RS1/16SS472J	C	80	CKSSYB102K50
R	1712	RS1/16SS1003D			
R	1713	RS1/16SS9101D	C	81	CKSSYB102K50
R	1714	RS1/10SR2R2J	C	82	CKSSYB104K16
R	1716	RS1/16SS1203D	C	83	CKSSYB102K50
R	1717	RS1/16SS302J	C	84	CKSSYB102K50
R	1718	RS1/16SS1502D	C	87	CKSSYB102K50
R	1719	RS1/16SS472J	C	88	CKSRYX106M6R3
R	1720	RS1/16SS103J	C	90	CKSSYB102K50
R	1721	RS1/16SS332J	C	111	CKSSYB104K10
R	1801	RS1/16SS0R0J	C	112	CKSQYX475K10
R	1804	RS1/16SS473J	C	113	CEVW101M16
R	1808	RS1/16SS0R0J	C	201	CKSYX476M10
R	1813	RS1/16SS153J	C	202	CKSSYB103K16
R	1815	RS1/16SS105J	C	203	CKSQYX106K10
R	1817	RS1/16SS153J	C	206	CKSSYB103K25
R	1818	RS1/16SS472J	C	207	CKSSYB103K16
R	1819	RS1/16SS101J	C	208	CKSYX106K35
R	1820	RS1/16SS393J	C	209	CKSRYB103K50
R	1821	RS1/16SS124J	C	301	CCG1256
R	1822	RS1/16SS0R0J	C	302	CKSSYB103K16
R	1823	RS1/16SS0R0J	C	303	CKSQYX106K16
R	1824	RS1/16SS0R0J	C	306	CKSSYB682K25
R	1825	RS1/16SS0R0J	C	307	CKSSYB103K16
R	1826	RS1/16SS0R0J	C	308	CKSYX106K35
R	1827	RS1/16SS0R0J	C	309	CKSRYB103K50
R	1828	RS1/16SS0R0J	C	401	CKSSYB153K16
R	1901 (B)	RS1/16SS332J	C	402	CKSSYB223K16
R	1902 (B)	RS1/16SS512J	C	404	CKSSYB331K50
R	1903 (B)	RS1/16SS102J	C	405	CKSSYX105K10
R	1904 (B)	RS1/16SS161J	C	406	CKSRYX104K50
R	1907 (B)	RS1/16SS102J	C	407	CKSYX226M16
R	1908 (B)	RS1/16SS273J	C	408	CKSRYX225K10
R	1909 (B)	RS1/16SS224J	C	409	CEVW101M16
R	1910 (B)	RS1/16SS103J	C	410	CKSRYB224K16
R	1911 (B)	RS1/16SS134J	C	411	CEVW470M16
R	1912 (B)	RS1/16SS824J	C	412	CKSYX106K35
R	1913 (B)	RS1/16SS103J	C	413	CKSSYB102K50
R	1914 (B)	RS1/16SS473J	C	501	CEAT471M16
R	1915 (B)	RS1/16SS473J	C	502	CKSRYX104K50
R	8404	RS1/16SS103J	C	503	CKSSYB104K10
R	8406	RS1/16SS103J	C	504	CKSYX476M6R3
R	8407	RS1/16SS472J	C	512	CKSRYX105K16
R	8408	RS1/16SS472J	C	513	CKSRYX105K16
R	8409	RS1/16SS101J	C	521	CKSSYB104K16
R	8410	RS1/16SS101J	C	522	CKSRYX475K10
R	8412	RS1/16SS391J	C	523	CKSSYB104K10
R	8413	RS1/16SS105J	C	524	CKSSYB103K16
R	8414	RS1/16SS105J	C	550	CKSSYB473K16
R	8435	RS1/16SS0R0J	C	551	CKSSYX105K10
R	9007 (B)	RS1/16SS0R0J	C	552	CKSSYX105K10
R	9008 (B)	RS1/16SS0R0J	C	553	CKSSYB473K16
R	9009 (B)	RS1/16SS0R0J			

1

2

3

4

Circuit Symbol and No.Part No.Circuit Symbol and No.Part No.

C	554	CKSSYX105K10	C	1048	CCSSCH220J50
C	555	CKSSYX105K10	C	1053	CKSRYB224K16
C	561	CKSSYX105K10	C	1054	CKSRYB224K16
A	C 562	CKSSYX105K10	C	1058	CKSSYB104K10
C	563	CKSSYB104K10	C	1059	CKSSYB104K10
C	571	CKSSYX105K10	C	1060	CKSSYB102K50
C	572	CKSSYX105K10	C	1061	CKSSYB104K10
C	581 (A)	CKSSYX105K10	C	1062	CKSSYB104K10
C	582 (A)	CKSSYX105K10	C	1063	CKSSYB104K10
C	591 (A)	CKSSYX105K10	C	1064	CKSSYB104K10
C	592 (A)	CKSSYX105K10	C	1065	CKSSYB104K10
C	593 (A)	CKSSYB104K10	C	1066	CKSSYB104K10
C	601	CKSSYX105K10	C	1067	CKSSYB103K16
C	602	CKSSYX105K10	C	1068	CKSSYB103K16
B	C 611	CKSSYX105K10	C	1069	CKSSYB104K10
C	612	CKSSYX105K10	C	1070	CCSSCH6R0D50
C	701	CKSSYB104K10	C	1071	CCSSCH6R0D50
C	703	CKSSYB104K10	C	1077	CKSSYB104K10
C	704	CKSSYB104K10	C	1078	CKSSYB104K10
C	706	CKSSYB102K50	C	1079	CKSSYB104K10
C	707	CKSSYB104K10	C	1080	CKSSYB104K10
C	709	CKSSYB104K10	C	1081	CKSSYB104K10
C	711	CKSSYB104K10	C	1082	CKSSYB103K16
C	712	CKSSYB104K10	C	1083	CKSSYB103K16
C	713	CCSSCH8R0D50	C	1084	CKSSYB103K16
C	714	CCSSCH100D50	C	1085	CKSSYB104K10
C	715	CKSSYB104K10	C	1086	CKSSYB104K10
C	719	CKSSYB103K50	C	1087	CKSSYB104K10
C	720	CKSSYB104K10	C	1088	CKSSYB104K10
C	723	CKSSYB104K10	C	1089	CKSSYB104K10
C	724	CKSSYB473K16	C	1090	CKSSYB104K10
C	725	CKSSYB104K10	C	1092	CKSSYB104K10
C	726	CKSSYB102K50	C	1093	CKSSYB104K10
C	727	CKSSYB102K50	C	1094	CKSSYB104K10
C	728	CKSSYB473K16	C	1095	CKSSYB104K10
D	C 729	CKSSYB103K16	C	1096	CKSSYB104K10
C	732	CKSSYB103K16	C	1098	CCSSCH560J50
C	733	CKSSYB103K16	C	1099	CCSSCH560J50
C	901 (A)	CKSSYB104K10	C	1100	CCSSCH560J50
C	902 (A)	CKSQYX475K10	C	1101	CCSSCH560J50
C	903 (A)	CKSSYB104K10	C	1102	CCSSCH560J50
C	904 (A)	CKSQYX475K10	C	1103	CCSSCH560J50
C	905 (A)	CEVW101M16	C	1104	CCSSCH560J50
C	907 (A)	CKSSYX105K16	C	1105	CCSSCH560J50
C	908 (A)	CCSSCH390J50	C	1106	CCSSCH560J50
C	909 (A)	CCSSCH330J50	C	1107	CCSSCH560J50
E	C 911 (A)	CCSSCH330J50	C	1108	CCSSCH560J50
C	912 (A)	CKSSYB104K10	C	1109	CCSSCH560J50
C	1001 (A)	CKSSYB104K10	C	1110	CCSSCH560J50
C	1002 (A)	CKSSYB102K50	C	1111	CCSSCH560J50
C	1011	CKSSYB104K10	C	1112	CCSSCH560J50
C	1038	CKSSYB102K50	C	1113	CCSSCH560J50
C	1039	CKSSYB102K50	C	1114	CCSSCH560J50
C	1041	CKSQYX106K10	C	1115	CCSSCH560J50
C	1042	CKSSYB104K10	C	1119	CKSRYX475K10
C	1043	CKSQYX106K10	C	1151	CKSSYB104K10
C	1044	CKSSYB104K10	C	1152	CKSSYB104K10
C	1045	CKSQYX106K10	C	1153	CKSSYB104K10
C	1046	CCSSCH220J50	C	1154	CKSSYB104K10
C	1047	CCSSCH220J50	C	1155	CKSSYB104K10

1

2

3

4

5		6	7		8
<u>Circuit Symbol and No.</u>		<u>Part No.</u>	<u>Circuit Symbol and No.</u>		<u>Part No.</u>
C	1156	CKSSYB104K10	C	1805	CKSSYB102K50
C	1157	CKSSYB104K10	C	1806	CKSSYB104K16
C	1409	CKSQYX475K10	C	1808	CKSYX106K35
C	1410	CKSQYX475K10	C	1809	CKSSYB102K50
C	1411	CKSQYX475K10	C	1811	CKSSYB102K50
C	1412	CKSQYX475K10	C	1812	CKSSYB102K50
C	1413	CKSQYX475K10	C	1813	CKSSYB104K10
C	1414	CKSQYX475K10	C	1814	CKSQYX106K10
C	1420	CKSSYB102K50	C	1817	CKSSYX104K50
C	1421	CKSSYB102K50	C	1818	CKSQYB334K50
C	1435	CKSSYX105K10	C	1819	CKSSYB103K50
C	1436	CKSSYX105K10	C	1821	CKSSYB104K16
C	1437	CKSQYX106K10	C	1822	CKSQYX475K25
C	1438	CKSSYB104K10	C	1823	CKSRYX225K16
C	1439	CKSSYX105K10	C	1825	CKSSYB104K10
C	1440	CKSRYX475K10	C	1826	CKSYX106K35
C	1441	CKSSYB102K50	C	1901 (B)	CKSSYB104K10
C	1442	CKSSYB102K50	C	1903 (B)	CKSSYX105K10
C	1444	CKSRYX105K16	C	1904 (B)	CKSRYX106M6R3
C	1445	CKSRYX105K16	C	1905 (B)	CKSSYX224K10
C	1446	CKSRYX105K16	C	1906 (B)	CKSSYX105K10
C	1447	CKSRYX105K16	C	1907 (B)	CCSSCH680J50
C	1448	CKSSYB104K10	C	1908 (B)	CKSSYB104K10
C	1449	CKSQYX106K10	C	1909 (B)	CKSSYB104K10
C	1450	CKSSYB102K50	C	1910 (B)	CKSSYX105K10
C	1451	CKSSYX104K50	C	1911 (B)	CCSSCH6R0D50
C	1452	CKSSYX104K50	C	1912 (B)	CCSSCH220J50
C	1461 (A)	CKSSYB102K50	C	8401	CKSSYB104K16
C	1462 (A)	CKSSYB102K50	C	8402	CKSSYB104K16
C	1463 (A)	CKSSYX104K50	C	8403	CKSQYX106K10
C	1464 (A)	CKSSYX104K50	C	8404	CKSQYX106K10
C	1473	CKSSYX104K50	C	8405	CKSSYB104K16
C	1475	CKSSYX104K50	C	8407	CKSSYX224K6R3
C	1477	CKSQYX106K10	C	8408	CKSSYB102K50
C	1601	CKSSYB104K10	C	8409	CKSSYB104K16
C	1602	CKSSYB104K10	C	8411	CCSSCH220J50
C	1603	CKSSYB102K50	C	8412	CCSSCH331J50
C	1604	CKSSYB102K50	C	8415	CKSSYB104K16
C	1701	CKSSYX224K6R3	C	8418	CCSSCH102J50
C	1703	CKSSYX105K10	C	8419	CCSSCH471J50
C	1704	CKSSYX224K6R3	C	8423	CKSSYB152K50
C	1705	CKSRYB224K16	C	8427	CCSSCH100D50
C	1706	CKSSYB222K50	C	9004	CKSRYX105K16
C	1707	CKSSYB102K50	C	9005	CKSRYX105K16
C	1708	CKSSYX105K16	C	9008	CKSRYX105K16
C	1709	CKSSYX105K10	C	9009	CKSRYX105K16
C	1710	CKSRYX105K25	C	9010 (B)	CKSRYX105K16
C	1712	CKSRYX105K25	C	9011 (B)	CKSRYX105K16
C	1713	CKSSYX104K50	C	9012	CKSRYX105K16
C	1714	CKSSYX104K50	C	9013	CKSRYX105K16
C	1715	CKSSYX104K50	C	9016	CKSRYX105K16
C	1717	CKSQYX475K25	C	9017	CKSRYX105K16
C	1718	CKSSYB682K25	C	9018	CKSYX476M10
C	1719	CKSRYX475K6R3	C	9019	CKSYX476M10
C	1720	CCSSCH101J50	C	9020	CKSSYB104K10
C	1721	CKSSYB561K50	C	9021 100 uF/16 V	CCH1962
C	1722	CKSQYX475K25	C	9022	CKSSYB104K10
C	1724	CKSSYB102K50	C	9023	CEVW470M16
C	1801	CKSSYB104K16	C	9024	CEVW470M16
C	1803	CKSSYB102K50	C	9025	CKSSYB104K10

1

2

3

4

Circuit Symbol and No.Part No.Circuit Symbol and No.Part No.

C 9026 10 uF

CCG1332

S 4206 Push SW

CSG1196

C 9027

CKSSYB104K10

S 4207 Push SW

CSG1196

C 9028

CKSSYX105K10

S 4208 Push SW

CSG1196

A C 9029

CEVW470M16

S 4209 Push SW

CSG1196

C 9030

CKSSYB102K50

U 4201 Remote Receiver Unit

RS-470

C 9032

CKSSYB104K10

CN 4001 FFC/FPC Connector

CKS6635

C 9033

CKSSYB104K10

CN 4002 Connector(2P)

DKN1361

C 9034

CKSSYB472K50

CN 4003 FFC/FPC Connector

CKS5285

C 9035

CKSSYB103K16

CN 4004 FFC/FPC Connector

CKS6643

C 9036

CKSSYB103K16

CN 4201 FFC/FPC Connector

CKS6421

C 9037

CCSSCH151J50

CN 4301 FFC/FPC Connector

CKS6646

C 9038

CCSSCH151J50

CN 4302 FFC/FPC Connector

CKS6646

C 9039 (B)

CKSSYX104K50

CCE1064

C 9201

CKSRYB684K10

CCE1064

B C 9202

CKSRYB684K10

CCE1064

RESISTORS

C 9203

CKSRYB684K10

R 4001

RS1/16SS1200D

C 9204 0.68 uF

CCE1064

R 4002

RS1/16SS39R0D

C 9206 10 uF/25 V

CCH2108

R 4004

RS1/16SS1200D

C 9207

CKSRYB474K16

R 4005

RS1/16SS39R0D

C 9208 2.2 uF

CCG1322

R 4006

RS1/16SS272J

C 9209

CEHAT332M16

R 4007

RS1/16SS272J

C 9210 0.1 uF

CCG1321

R 4008

RS1/16SS82R0D

C 9212

CKSRYX104K50

R 4009

RS1/16SS56R0D

C 9213

CKSSYB102K50

R 4011

RS1/16SS82R0D

C 9214

CKSSYB102K50

R 4012

RS1/16SS56R0D

C 9215

CKSSYB102K50

R 4013

RS1/16SS272J

C 9216

CKSSYB102K50

R 4014

RS1/16SS272J

C 9217

CKSSYB102K50

R 4015

RS1/16SS82R0D

C 9218

CKSSYB102K50

R 4016

RS1/16SS39R0D

C 9219

CKSSYB102K50

R 4018

RS1/16SS82R0D

C 9220

CKSSYB102K50

R 4019

RS1/16SS39R0D

R 4020

RS1/16SS272J

R 4021

RS1/16SS272J

R 4026

RS1/16SS183J

R 4101

RS1/4SA2R2J

Monitor Key UnitConsists ofMonitor PCBD Monitor Key PCBKeyboard PCB**B C D**

Unit Number : CWF2549 (A)

Unit Number : CWF2550 (B)

Unit Name : Monitor Key Unit

MISCELLANEOUS

E IC 4101 Display IC

OZ527ILN

R 4118

RS1/16SS104J

Q 4001 Bipolar TR

HN1C01FUS1

R 4125

RS1/16SS561J

Q 4002 Bipolar TR

HN1C01FUS1

R 4201

RS1/16SS392J

Q 4003 Bipolar TR

HN1C01FUS1

R 4202

RS1/16SS472J

D 4101 Schottky Diode

RB162M-40

R 4203

RS1/16SS123J

D 4201 Diode

DZ2S068C

R 4204

RS1/16SS182J

D 4202 LED

NSSM124-6717

R 4205

RS1/16SS222J

D 4203 LED

NSSM124-6717

R 4207

RS1/16SS150J

L 4101 SMD SPL Inductor

CTH1651

R 4208

RS1/16SS620J

TH 4001 SMD Thermistor

ERTJ0ER104F

R 4209

RS1/16SS390J

F S 4201 Push SW

CSG1196

R 4210

RS1/16SS150J

S 4203 Push SW

CSG1196

R 4211

RS1/16SS620J

S 4204 Push SW

CSG1196

R 4212

RS1/16SS390J

S 4205 Push SW

CSG1196

R 4213

RS1/16SS470J

R 4301

RS1/16SS473J

1

2

3

4

5
Circuit Symbol and No.

6
Part No.

7

8

R	4302	RS1/16SS473J
R	4303	RS1/16SS473J
R	4304	RS1/16SS473J
R	4330	RS1/16SS4R7J
R	4331	RS1/16SS560J
R	4332	RS1/16SS181J
R	4333	RS1/16SS2R2J
R	4334	RS1/16SS470J
R	4336	RS1/16SS390J
R	4337	RS1/16SS4R7J
R	4338	RS1/16SS101J
R	4339	RS1/16SS8R2J
R	4340	RS1/16SS131J
R	4342	RS1/16SS101J
R	4343	RS1/16SS8R2J
R	4344	RS1/16SS390J
R	4345	RS1/16SS4R7J
R	4346	RS1/16SS470J
R	4348	RS1/16SS181J
R	4349	RS1/16SS2R2J
R	4350	RS1/16SS330J
R	4351	RS1/16SS2R4J

A

B

CAPACITORS

C	4006	CKSSYB104K10
C	4007	CKSSYB104K10
C	4101	CKSSYB472K50
C	4103	CEVW221M16
C	4105	CKSYX106K35
C	4106	CKSRYX104K50
C	4108	CKSYX106K35
C	4111	CKSSYX105K16
C	4112	CKSRYB224K16
C	4113	CKSSYX105K16
C	4114	CKSSYX105K10
C	4115	CCSSCH101J50
C	4201	CKSSYB104K10
C	4301	CKSRYX105K16
C	4302	CKSRYX105K16
C	4303	CKSSYB104K16
C	4304	CKSSYB104K16
C	4305	CKSSYB104K16
C	4306	CKSSYB104K16
C	4307	CKSRYX104K50
C	4308	CKSRYX104K50
C	4309	CKSRYX104K50
C	4310	CKSRYX105K25
C	4311	CKSSYX105K10
C	4312	CKSRYX105K16
C	4330	CKSSYB102K50
C	4331	CKSSYB104K16
C	4338	CKSSYB102K50
C	4339	CKSSYB104K10
C	4340	CKSSYB102K50
C	4341	CKSSYB104K10
C	4350	CKSSYB104K10
C	4351	CKSSYB104K10

C

D

E

F