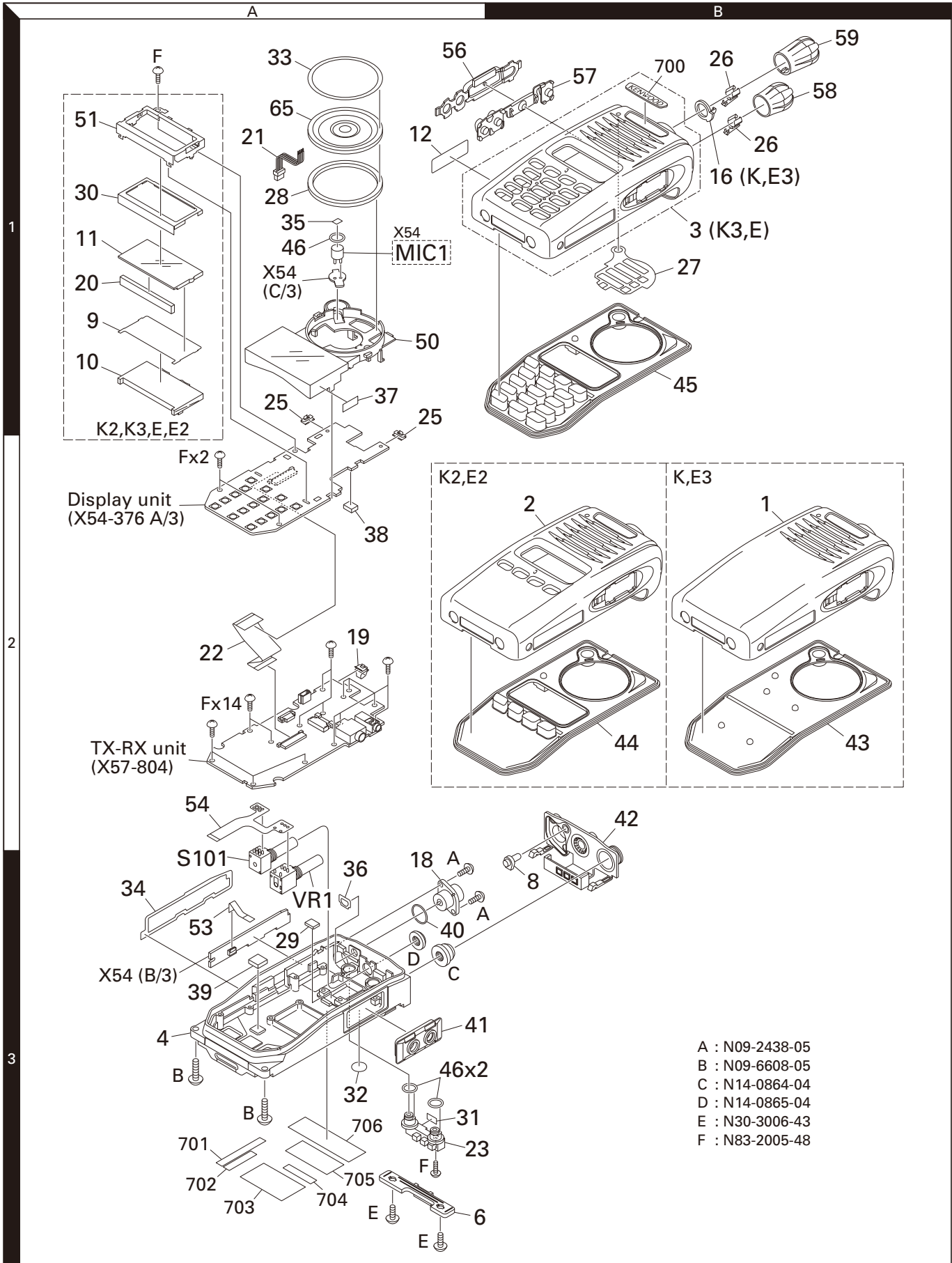
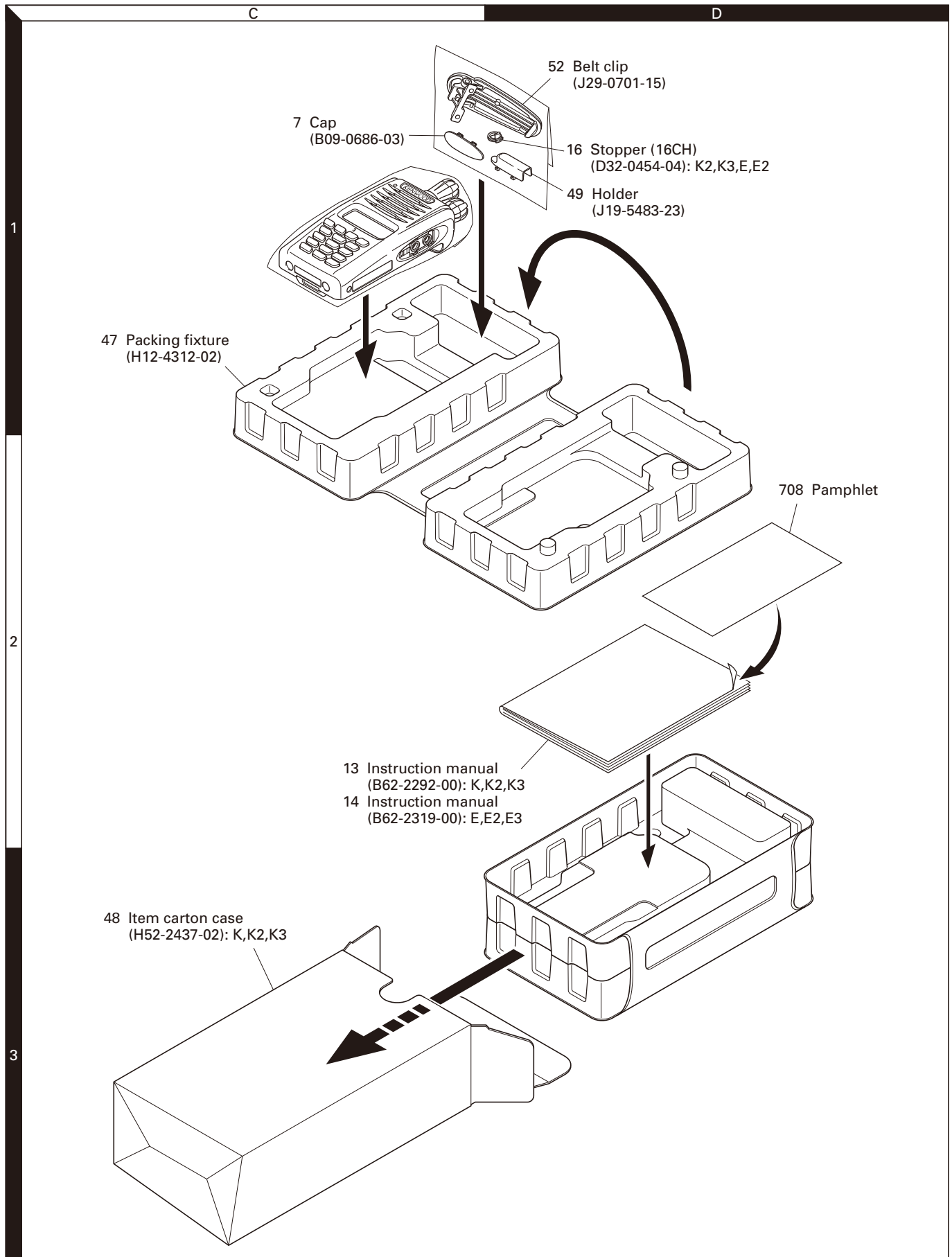


## EXPLODED VIEW



## PACKING



Parts with the exploded numbers larger than 700 are not supplied.

## PARTS LIST

\* New Parts. Δ indicates safety critical components.  
 Parts without **Parts No.** are not supplied.  
 Les articles non mentionnés dans le **Parts No.** ne sont pas fournis.  
 Teile ohne **Parts No.** werden nicht geliefert.

**L** : Scandinavia      **K** : USA      **P** : Canada  
**Y** : PX (Far East, Hawaii)      **T** : England      **E** : Europe  
**C** : China      **X** : Australia      **M** : Other Areas

### NX-220 DISPLAY UNIT (X54-3760-XX)

Ref. No.	Address	New parts	Parts No.	Description	Desti-nation
<b>NX-220</b>					
1	2B	*	A02-4130-03	PLASTIC CABINET ASSY	K,E3
2	2B	*	A02-4131-03	PLASTIC CABINET ASSY (4KEY)	K2,E2
3	1B	*	A02-4132-03	PLASTIC CABINET ASSY (16KEY)	K3,E
4	3A	*	A10-4148-01	CHASSIS	
6	3A		B01-0694-13	ESCUTCHEON	
7	1C		B09-0686-03	CAP ACCESSORY	
8	3B		B11-1869-04	ILLUMINATION GUIDE (TX/BUSY)	
9	1A	*	B11-1890-04	FILTER (LCD)	K2,K3,E
9	1A	*	B11-1890-04	FILTER (LCD)	E2
10	1A	*	B11-1891-02	ILLUMINATION GUIDE (LCD)	K2,K3,E
10	1A	*	B11-1891-02	ILLUMINATION GUIDE (LCD)	E2
11	1A		B38-0935-05	LCD	K2,K3,E
11	1A		B38-0935-05	LCD	E2
12	1A		B42-7417-04	STICKER	
13	2D	*	B62-2292-00	INSTRUCTION MANUAL (K TYPE)	K,K2,K3
14	2D	*	B62-2319-00	INSTRUCTION MANUAL (E TYPE)	E,E2,E3
16	1B,1D	*	D32-0454-04	STOPPER (16CH)	
18	3A		E04-0467-15	RF COAXIAL RECEPTACLE (SMA)	
19	2A	*	E23-1363-04	TERMINAL (ANT)	
20	1A	*	E29-1232-05	INTER CONNECTOR (LCD)	K2,K3,E
20	1A	*	E29-1232-05	INTER CONNECTOR (LCD)	E2
21	1A	*	E37-1532-05	LEAD WIRE WITH CONNECTOR (SP/ECM)	
22	2A	*	E37-1537-05	FLAT CABLE (TXRX-DISPLAY)	
23	3A	*	E72-0435-03	TERMINAL BLOCK	
25	1A	*	G02-1864-04	EARTH SPRING (DISPLAY PCB)	
26	1B	*	G09-0443-04	KNOB SPRING (VOL/SELECTOR)	
27	1B	*	G10-1827-04	FIBROUS SHEET (SP)	
28	1A		G11-4272-14	RUBBER CUSHION (SP)	
29	3A		G11-4315-14	SHEET (FET)	
30	1A		G11-4335-14	SHEET (LCD)	K2,K3,E
30	1A		G11-4335-14	SHEET (LCD)	E2
31	3A		G11-4368-04	SHEET (TERMINAL BLOCK)	
32	3A		G11-4500-04	SHEET (AIR)	
33	1A		G11-4527-04	SHEET (SP)	
34	3A	*	G11-4543-04	SHEET (PTT)	
35	1A	*	G11-4558-04	SHEET (ECM)	
36	3A	*	G11-4561-04	SHEET (CHASSIS:TX/BUSY)	
37	1A	*	G11-4562-04	SHEET (SP HOLDER)	
38	2A		G13-2220-04	CUSHION (DISPLAY PCB)	
39	3A		G13-2249-04	CUSHION (CHASSIS)	
40	3A		G53-1603-04	PACKING (SMA)	
41	3A		G53-1832-03	PACKING (JACK)	
42	2B	*	G53-1862-02	PACKING (TOP)	
43	2B	*	G53-1863-01	PACKING	K,E3
44	2B	*	G53-1864-01	PACKING (4KEY)	K2,E2
45	1B	*	G53-1865-01	PACKING (16KEY)	K3,E
46	1A,3A	*	G53-1866-04	PACKING (TERMINAL,ECM)	
47	1C	*	H12-4312-02	PACKING FIXTURE	
48	3C	*	H52-2437-02	ITEM CARTON CASE	K,K2,K3
49	1D		J19-5483-23	HOLDER ACCESSORY	
50	1A	*	J19-5547-01	HOLDER (FG-SP)	
51	1A	*	J21-8631-03	MOUNTING HARDWARE (LCD)	K2,K3,E
51	1A	*	J21-8631-03	MOUNTING HARDWARE (LCD)	E2
52	1D		J29-0701-15	BELT CLIP ACCESSORY	
53	3A		J87-0027-05	FPC (LEAD FREE) (PTT)	
54	2A	*	J87-0040-05	FPC (LEAD FREE) (VOL/SELECTOR)	
56	1A	*	K29-9500-03	KNOB (PTT)	
57	1B	*	K29-9501-03	BUTTON KNOB (SIDE1/SIDE2/AUX)	
58	1B	*	K29-9485-03	KNOB (VOL)	
59	1B	*	K29-9486-03	KNOB (SELECTOR)	
A	3A		N09-2438-05	BINDING HEAD SCREW (ANT)	
B	3A	*	N09-6608-05	SPECIAL SCREW (CASE)	
C	3A	*	N14-0864-04	CIRCULAR NUT (VOL)	
D	3A	*	N14-0865-04	CIRCULAR NUT (SELECTOR)	
E	3A		N30-3006-43	PAN HEAD MACHINE SCREW (ESCU)	
F	1A,2A,3A		N83-2005-48	PAN HEAD TAPTITE SCREW (PCB)	
VR1	3A	*	R31-0685-05	VARIABLE RESISTOR (VOL)	
S101	3A	*	S60-0448-05	ROTARY SWITCH (SELECTOR)	
65	1A		T07-0787-05	SPEAKER	
-		*	X57-8040-11	SERVICE TX-RX UNIT	
<b>DISPLAY UNIT (X54-3760-XX) -10: K3,E -11: K2,E2 -12: K,E3</b>					
D1			B30-2278-05	LED (RED/YELLOW)	
D7-14			B30-2337-05	LED (YELLOW)	K3,E
D13,14			B30-2337-05	LED (YELLOW)	K2,E2
D18,19			B30-2210-05	LED (TLY)	K2,K3,E
D18,19			B30-2210-05	LED (TLY)	E2
C1			CK73HB1H471K	CHIP C 470PF	K
C2			CK73HB1H681K	CHIP C 680PF	K
C3			CC73HCH1H270J	CHIP C 27PF	J
C4			CK73HB1H471K	CHIP C 470PF	K
C5			CK73HB1A104K	CHIP C 0.10UF	K
C6			CK73HB1H102K	CHIP C 1000PF	K
C7,8			CC73HCH1H470J	CHIP C 47PF	J
C10			CC73HCH1H101J	CHIP C 100PF	J
C11			CK73HB1H681K	CHIP C 680PF	K
C13			CC73HCH1H101J	CHIP C 100PF	J
C15			CK73HB1E103K	CHIP C 0.010UF	K
C16			CK73HB1H102K	CHIP C 1000PF	K
C19			CK73HB1A104K	CHIP C 0.10UF	K
C20			CK73HB1H102K	CHIP C 1000PF	K
C21			CK73HB1E103K	CHIP C 0.010UF	K
C22			CK73HB1A224K	CHIP C 0.22UF	K
C23			CC73HCH1H470J	CHIP C 47PF	J
C25			CK73HB1A224K	CHIP C 0.22UF	K
C26			CC73HCH1H470J	CHIP C 47PF	J
C28,29			CC73HCH1H470J	CHIP C 47PF	J
C30			CK73HB0J105K	CHIP C 1.0UF	K
C31			CC73HCH1H470J	CHIP C 47PF	J
C32			CK73HB1H122K	CHIP C 1200PF	K
C33,34			CC73HCH1H470J	CHIP C 47PF	J
C35			CK73HB1A104K	CHIP C 0.10UF	K
C36			CC73HCH1H470J	CHIP C 47PF	J

## PARTS LIST

### DISPLAY UNIT (X54-3760-XX)

Ref. No.	Address	New parts	Parts No.	Description	Destination	Ref. No.	Address	New parts	Parts No.	Description	Destination
C37			CK73HB1H472K	CHIP C 4700PF K		R4			RK73HB1J823J	CHIP R 82K J 1/16W	
C38			CC73HCH1H181J	CHIP C 180PF J		R5			RK73HB1J100J	CHIP R 10 J 1/16W	
C39			CK73HB1A104K	CHIP C 0.10UF K		R6			RK73HB1J821J	CHIP R 820 J 1/16W	
C40			CC73HCH1H470J	CHIP C 47PF J		R7			RK73HB1J472J	CHIP R 4.7K J 1/16W	
C42-44			CC73HCH1H470J	CHIP C 47PF J		R8			RK73HB1J153J	CHIP R 15K J 1/16W	
C45			CK73HB1H102K	CHIP C 1000PF K		R9			RK73HB1J333J	CHIP R 33K J 1/16W	
C47			CK73HB1A104K	CHIP C 0.10UF K		R10			RK73HB1J000J	CHIP R 0.0 J 1/16W	
C48			CK73HB0J105K	CHIP C 1.0UF K		R11,12			RK73HB1J334J	CHIP R 330K J 1/16W	
C49			CK73HB1H102K	CHIP C 1000PF K		R13			RK73HB1J471J	CHIP R 470 J 1/16W	
C52,53			CK73HB1A104K	CHIP C 0.10UF K		R14			RK73HB1J334J	CHIP R 330K J 1/16W	
C54			CK73HB1H331K	CHIP C 330PF K		R15			RK73HB1J332J	CHIP R 3.3K J 1/16W	
C58			CC73HCH1H680J	CHIP C 68PF J		R16			RK73HB1J470J	CHIP R 47 J 1/16W	
C62			CC73HCH1H101J	CHIP C 100PF J		R17			RK73HB1J104J	CHIP R 100K J 1/16W	
C63,64			CK73HB0J105K	CHIP C 1.0UF K		R18			RK73HB1J393J	CHIP R 39K J 1/16W	
C67			CK73HB1H102K	CHIP C 1000PF K		R19,20			RK73HB1J224J	CHIP R 220K J 1/16W	
C68			CK73HB1E103K	CHIP C 0.010UF K		R21,22			RK73HB1J563J	CHIP R 56K J 1/16W	
C70			CK73HB0J105K	CHIP C 1.0UF K		R23			RK73HB1J222J	CHIP R 2.2K J 1/16W	
C71			CK73HB1A104K	CHIP C 0.10UF K		R24			RK73HB1J000J	CHIP R 0.0 J 1/16W	
C73			CK73GB0J106K	CHIP C 10UF K		R26			RK73HB1J683J	CHIP R 68K J 1/16W	
C74			CK73HB0J105K	CHIP C 1.0UF K		R28-30			RK73HB1J000J	CHIP R 0.0 J 1/16W	
C78			CK73HB1E103K	CHIP C 0.010UF K	K2,K3,E	R33-35			RK73HB1J104J	CHIP R 100K J 1/16W	
C78			CK73HB1E103K	CHIP C 0.010UF K	E2	R37			RK73HB1J154J	CHIP R 150K J 1/16W	
C79			CK73HB1A473K	CHIP C 0.047UF K	K2,K3,E	R39,40			RK73HB1J103J	CHIP R 10K J 1/16W	
C79			CK73HB1A473K	CHIP C 0.047UF K	E2	R41,42			RK73HB1J683J	CHIP R 68K J 1/16W	
C83			CK73HB1H102K	CHIP C 1000PF K	K2,K3,E	R44,45			RK73HB1J104J	CHIP R 100K J 1/16W	
C83			CK73HB1H102K	CHIP C 1000PF K	E2	R47			RK73HB1J223J	CHIP R 22K J 1/16W	
C84			CK73HB1A473K	CHIP C 0.047UF K	K2,K3,E	R50			RK73HB1J223J	CHIP R 22K J 1/16W	
C84			CK73HB1A473K	CHIP C 0.047UF K	E2	R52			RK73HB1J471J	CHIP R 470 J 1/16W	
C85			CK73HB1H681K	CHIP C 680PF K	K2,K3,E	R53			RK73HB1J182J	CHIP R 1.8K J 1/16W	
C85			CK73HB1H681K	CHIP C 680PF K	E2	R61-64			RK73HB1J332J	CHIP R 3.3K J 1/16W	K3,E
C90			CK73HB1E103K	CHIP C 0.010UF K	K2,K3,E	R64			RK73HB1J332J	CHIP R 3.3K J 1/16W	K2,E2
C90			CK73HB1E103K	CHIP C 0.010UF K	E2	R65			RK73HB1J682J	CHIP R 6.8K J 1/16W	K2,K3,E
C91			CK73HB1H471K	CHIP C 470PF K		R65			RK73HB1J682J	CHIP R 6.8K J 1/16W	E2
C92			CK73HB1H102K	CHIP C 1000PF K		R66			RK73HB1J000J	CHIP R 0.0 J 1/16W	K2,K3,E
C93,94			CK73HB1E103K	CHIP C 0.010UF K		R66			RK73HB1J000J	CHIP R 0.0 J 1/16W	E2
CN5		*	E40-6893-05	FLAT CABLE CONNECTOR (24P)		R67			RK73HB1J471J	CHIP R 470 J 1/16W	K2,K3,E
CN6			E40-6883-05	FLAT CABLE CONNECTOR (6P)		R67			RK73HB1J471J	CHIP R 470 J 1/16W	E2
L1,2			L92-0408-05	CHIP FERRITE		R69			RK73HB1J222J	CHIP R 2.2K J 1/16W	K2,K3,E
L3			L92-0138-05	CHIP FERRITE	K2,K3,E	R69			RK73HB1J222J	CHIP R 2.2K J 1/16W	E2
L3			L92-0138-05	CHIP FERRITE	E2	R70-72			RK73HB1J103J	CHIP R 10K J 1/16W	K2,K3,E
CP1			RK74HB1J101J	CHIP-COM 100 J 1/16W		R70-72			RK73HB1J103J	CHIP R 10K J 1/16W	E2
CP2			RK74HB1J102J	CHIP-COM 1.0K J 1/16W	K2,K3,E	R73			RK73GB2A433J	CHIP R 43K J 1/10W	K2,K3,E
CP2			RK74HB1J102J	CHIP-COM 1.0K J 1/16W	E2	R73			RK73GB2A433J	CHIP R 43K J 1/10W	E2
CP3			RK74HB1J471J	CHIP-COM 470 J 1/16W	K2,K3,E	R74			RK73HB1J121J	CHIP R 120 J 1/16W	K2,K3,E
CP3			RK74HB1J471J	CHIP-COM 470 J 1/16W	E2	R74			RK73HB1J121J	CHIP R 120 J 1/16W	E2
CP4,5			RK74HB1J102J	CHIP-COM 1.0K J 1/16W	K2,K3,E	R75			RK73HB1J222J	CHIP R 2.2K J 1/16W	K2,K3,E
CP4,5			RK74HB1J102J	CHIP-COM 1.0K J 1/16W	E2	R75			RK73HB1J222J	CHIP R 2.2K J 1/16W	E2
CP6			RK74HB1J471J	CHIP-COM 470 J 1/16W	K3,E	R76			RK73HB1J681J	CHIP R 680 J 1/16W	K2,K3,E
CP7-9			RK74HB1J102J	CHIP-COM 1.0K J 1/16W	K2,K3,E	R76			RK73HB1J681J	CHIP R 680 J 1/16W	E2
CP7-9			RK74HB1J102J	CHIP-COM 1.0K J 1/16W	E2	R77			RK73HB1J103J	CHIP R 10K J 1/16W	
CP10			RK74HB1J101J	CHIP-COM 100 J 1/16W	K2,K3,E	R78			RK73HB1J682J	CHIP R 6.8K J 1/16W	
CP10			RK74HB1J101J	CHIP-COM 100 J 1/16W	E2	R79			RK73HB1J563J	CHIP R 56K J 1/16W	
CP11-13			RK74HB1J102J	CHIP-COM 1.0K J 1/16W	K2,K3,E	R81			RK73HB1J000J	CHIP R 0.0 J 1/16W	
CP11-13			RK74HB1J102J	CHIP-COM 1.0K J 1/16W	E2	R82			RK73HB1J332J	CHIP R 3.3K J 1/16W	K,E3
CP14			RK74HA1J102J	CHIP-COM 1.0K J 1/16W	K2,K3,E	R83			RK73HB1J000J	CHIP R 0.0 J 1/16W	K,K2,E2
CP14			RK74HA1J102J	CHIP-COM 1.0K J 1/16W	E2	R83			RK73HB1J000J	CHIP R 0.0 J 1/16W	E3
R1			RK73HB1J472J	CHIP R 4.7K J 1/16W		R83,84			RK73HB1J000J	CHIP R 0.0 J 1/16W	K3,E
R2			RK73HB1J103J	CHIP R 10K J 1/16W		R85			RK73HB1J000J	CHIP R 0.0 J 1/16W	K2,E2
R3			RK73HB1J391J	CHIP R 390 J 1/16W		R86			RK73HB1J000J	CHIP R 0.0 J 1/16W	K,E3
						R88			RK73HB1J000J	CHIP R 0.0 J 1/16W	

## PARTS LIST

DISPLAY UNIT (X54-3760-XX)  
TX-RX UNIT (X57-8040-10)

Ref. No.	Address	New parts	Parts No.	Description	Destination	Ref. No.	Address	New parts	Parts No.	Description	Destination
S1-4		*	S70-0516-05	TACT SWITCH		C144			CC73GCH1H180G	CHIP C	18PF G
S5		*	S70-0519-05	TACT SWITCH	K2,E2	C145			CK73GB1H102K	CHIP C	1000PF K
S5-20		*	S70-0519-05	TACT SWITCH	K3,E	C146			CC73GCH1H040B	CHIP C	4.0PF B
S10		*	S70-0519-05	TACT SWITCH	K2,E2	C147			CC73FCH1H050B	CHIP C	5.0PF B
S15		*	S70-0519-05	TACT SWITCH	K2,E2	C148			CC73GCH1H020B	CHIP C	2.0PF B
S20		*	S70-0519-05	TACT SWITCH	K2,E2	C149			CK73GB1H102K	CHIP C	1000PF K
MIC1	1A		T91-0673-05	MIC ELEMENT		C150			CK73HB1H471K	CHIP C	470PF K
D2			KDR731	DIODE		C151			CK73GB1H102K	CHIP C	1000PF K
D3,4			DA221	DIODE		C152			CC73GCH1H100C	CHIP C	10PF C
D15			HN2S03FE	DIODE	K2,K3,E	C153			CC73GCH1H150G	CHIP C	15PF G
D15			HN2S03FE	DIODE	E2	C154			CC73GCH1H220G	CHIP C	22PF G
D16			1SS388F	DIODE	K2,K3,E	C155			CC73GCH1H060B	CHIP C	6.0PF B
D16			1SS388F	DIODE	E2	C156			CC73GCH1H240G	CHIP C	24PF G
IC1,2			TC75W51FK(F)	MOS-IC		C157			CC73GCH1H080B	CHIP C	8.0PF B
IC4			R2A20178NP	MICROCONTROLLER IC		C158			CC73GCH1H130G	CHIP C	13PF G
IC6			TC75W51FK(F)	MOS-IC		C160			CC73GCH1H200G	CHIP C	20PF G
IC8			LC75857W-E	MOS-IC	K2,K3,E	C161			CC73HCH1H220G	CHIP C	22PF G
IC8			LC75857W-E	MOS-IC	E2	C168			CK73HB1H102K	CHIP C	1000PF K
Q1			UMG9N	TRANSISTOR		C169			CK73HB1A104K	CHIP C	0.10UF K
Q2			SSM3K15TE(F)	FET		C170			CK73HB1H471K	CHIP C	470PF K
Q3			KTC4075E(Y,GR)	TRANSISTOR		C173			CK73HB1H471K	CHIP C	470PF K
Q4			2SC4738(GR)F	TRANSISTOR		C174			CK73FB1E225K	CHIP C	2.2UF K
Q5			2SA1832(GR)F	TRANSISTOR		C175			CK73HB1A333K	CHIP C	0.033UF K
Q6			2SA1362-F(GR)	TRANSISTOR	K2,K3,E	C177,178			CK73HB1H471K	CHIP C	470PF K
Q6			2SA1362-F(GR)	TRANSISTOR	E2	C179			CC73HCH1H101J	CHIP C	100PF J
Q7,8			2SC5383-T111	TRANSISTOR	K2,K3,E	C180,181			CK73HB1H471K	CHIP C	470PF K
Q7,8			2SC5383-T111	TRANSISTOR	E2	C182			CK73HB1A104K	CHIP C	0.10UF K
TH1			ERTJ0EV104H	THERMISTOR		C186			CC73HCH1H010B	CHIP C	1.0PF B
<b>TX-RX UNIT (X57-8040-10)</b>						C201			CK73HB1H103K	CHIP C	0.010UF K
C101			CK73HB1H471K	CHIP C	470PF K	C202			CK73HB1E103K	CHIP C	0.010UF K
C102			CK73HB1H102K	CHIP C	1000PF K	C203			CK73HB1H471K	CHIP C	470PF K
C104			CK73HB1H102K	CHIP C	1000PF K	C204			CK73FB1E475K	CHIP C	4.7UF K
C106			CK73HB1H102K	CHIP C	1000PF K	C205			CK73HB1H471K	CHIP C	470PF K
C107			CC73HCH1H100B	CHIP C	10PF B	C207			CK73HB1H102K	CHIP C	1000PF K
C110			CK73HB1H102K	CHIP C	1000PF K	C208			CC73HCH1H100B	CHIP C	10PF B
C111			CK73HB1H471K	CHIP C	470PF K	C209			CC73HCH1H120G	CHIP C	12PF G
C112			CK73HB1A104K	CHIP C	0.10UF K	C210			CK73HB1H103K	CHIP C	0.010UF K
C113			CC73HCH1H330J	CHIP C	33PF J	C211			CC73HCH1H040B	CHIP C	4.0PF B
C114			CK73HB1H102K	CHIP C	1000PF K	C212			CC73HCH1H220G	CHIP C	22PF G
C115			CC73HCH1H180J	CHIP C	18PF J	C213			CC73HCH1H050B	CHIP C	5.0PF B
C116			CK73HB1H102K	CHIP C	1000PF K	C214			CC73HCH1H150J	CHIP C	15PF J
C118			CC73HCH1H270J	CHIP C	27PF J	C215,216			CK73HB1H102K	CHIP C	1000PF K
C119			CK73HB1H102K	CHIP C	1000PF K	C217			CC73HCH1H3R5B	CHIP C	3.5PF B
C120			CC73HCH1H101J	CHIP C	100PF J	C218			CC73HCH1H070B	CHIP C	7.0PF B
C121,122			CK73HB1H102K	CHIP C	1000PF K	C223			CK73HB1H102K	CHIP C	1000PF K
C125			CC73HCH1H151J	CHIP C	150PF J	C224			CC73HCH1H040B	CHIP C	4.0PF B
C126			CK73GB1E105K	CHIP C	1.0UF K	C225			CC73HCH1H470J	CHIP C	47PF J
C127			CC73HCH1H151J	CHIP C	150PF J	C227			CK73HB1H102K	CHIP C	1000PF K
C128			CK73GB1C104K	CHIP C	0.10UF K	C228			CC73HCH1H1R5B	CHIP C	1.5PF B
C129			CK73HB1H102K	CHIP C	1000PF K	C229			CC73HCH1H270J	CHIP C	27PF J
C130			CK73HB1H471K	CHIP C	470PF K	C231			CK73HB1H102K	CHIP C	1000PF K
C139			CC73HCH1H390J	CHIP C	39PF J	C232			CC73HCH1H020B	CHIP C	2.0PF B
C141			CC73GCH1H300G	CHIP C	30PF G	C233			CK73HB1E103K	CHIP C	0.010UF K
C142			CC73GCH1H470G	CHIP C	47PF G	C235			CK73HB1H102K	CHIP C	1000PF K
C143			CC73GCH1H080B	CHIP C	8.0PF B	C236			CK73GB1E105K	CHIP C	1.0UF K
						C237			CK73HB1A104K	CHIP C	0.10UF K
						C240,241			CK73HB1H102K	CHIP C	1000PF K
						C242			CK73HB1A104K	CHIP C	0.10UF K
						C244			CK73HB1H102K	CHIP C	1000PF K
						C246			CC73HCH1H330J	CHIP C	33PF J

## PARTS LIST

### TX-RX UNIT (X57-8040-10)

Ref. No.	Address	New parts	Parts No.	Description	Destination	Ref. No.	Address	New parts	Parts No.	Description	Destination
C247			CC73HCH1H030B	CHIP C 3.0PF B		C434			CC73HCH1H101J	CHIP C 100PF J	
C249			CC73HCH1H180G	CHIP C 18PF G		C437,438			CC73HCH1H101J	CHIP C 100PF J	
C251			CC73HCH1H1R5B	CHIP C 1.5PF B		C439			CK73HB1A104K	CHIP C 0.10UF K	
C255			CK73HB1H102K	CHIP C 1000PF K		C440-442			CC73HCH1H101J	CHIP C 100PF J	
C258			CC73HCH1H180G	CHIP C 18PF G		C443			CK73HB1A105K	CHIP C 1.0UF K	
C260			CC73HCH1H080B	CHIP C 8.0PF B		C444			CK73HB1H102K	CHIP C 1000PF K	
C261			CC73HCH1H390J	CHIP C 39PF J		C445			CC73HCH1H180G	CHIP C 18PF G	
C262			CC73HCH1H120G	CHIP C 12PF G		C446			CC73HCH1H330G	CHIP C 33PF G	
C293			CK73HB1H471K	CHIP C 470PF K		C447			CC73HCH1H680G	CHIP C 68PF G	
C301,302			CK73HB1E103K	CHIP C 0.010UF K		C448			CC73HCH1H040B	CHIP C 4.0PF B	
C303			CK73HB1A104K	CHIP C 0.10UF K		C449			CC73HCH1H020B	CHIP C 2.0PF B	
C307			CC73HCH1H100B	CHIP C 10PF B		C450			CK73FB1A106K	CHIP C 10UF K	
C308			CC73HCH1H101J	CHIP C 100PF J		C451			CC73HCH1H150G	CHIP C 15PF G	
C310			CC73HCH1H101J	CHIP C 100PF J		C453			CC73HCH1HR75B	CHIP C 0.75PF B	
C311			CC73HCH1H151J	CHIP C 150PF J		C454			CC73HCH1H181J	CHIP C 180PF J	
C313			CC73HCH1H330G	CHIP C 33PF G		C455			CC73HCH1H080B	CHIP C 8.0PF B	
C314-316			CK73HB1A104K	CHIP C 0.10UF K		C456,457			CC73HCH1H100B	CHIP C 10PF B	
C317			CK73FB1A106K	CHIP C 10UF K		C458			CC73HCH1H120G	CHIP C 12PF G	
C318			CC73HCH1H680G	CHIP C 68PF G		C459			CC73HCH1H150G	CHIP C 15PF G	
C319			CK73HB1E103K	CHIP C 0.010UF K		C460			CK73GB0J475K	CHIP C 4.7UF K	
C320-323			CK73HB1A104K	CHIP C 0.10UF K		C461			CK73HB1H471K	CHIP C 470PF K	
C324			CK73FB1A106K	CHIP C 10UF K		C462			CK73HB1H103K	CHIP C 0.010UF K	
C327			CC73HCH1H100B	CHIP C 10PF B		C463			CK73HB1H102K	CHIP C 1000PF K	
C330			CK73HB1A104K	CHIP C 0.10UF K		C464			CK73HB1H471K	CHIP C 470PF K	
C332			CK73HB1E103K	CHIP C 0.010UF K		C465			CC73HCH1H181J	CHIP C 180PF J	
C335			CK73HB1A104K	CHIP C 0.10UF K		C466,467			CC73HCH1H0R5B	CHIP C 0.5PF B	
C338			CK73HB1E103K	CHIP C 0.010UF K		C468			CC73HCH1H120G	CHIP C 12PF G	
C339-341			CK73HB1A104K	CHIP C 0.10UF K		C469			CK73HB1H471K	CHIP C 470PF K	
C343			CK73GB1A474K	CHIP C 0.47UF K		C470			CK73HB1H102K	CHIP C 1000PF K	
C346			CC73HCH1H470J	CHIP C 47PF J		C471			CC73HCH1H100B	CHIP C 10PF B	
C350			CK73HB1H471K	CHIP C 470PF K		C472			CK73HB1H471K	CHIP C 470PF K	
C351			CK73HB1E103K	CHIP C 0.010UF K		C473			CC73HCH1H120G	CHIP C 12PF G	
C353,354			CK73HB1E103K	CHIP C 0.010UF K		C474			CK73HB1H102K	CHIP C 1000PF K	
C356			CC73HCH1H030B	CHIP C 3.0PF B		C475			CC73HCH1H030B	CHIP C 3.0PF B	
C357			CC73HCH1H180J	CHIP C 18PF J		C476,477			CC73HCH1H100B	CHIP C 10PF B	
C358			CC73HCH1H060B	CHIP C 6.0PF B		C478			CK73HB1H102K	CHIP C 1000PF K	
C359			CC73HCH1H470J	CHIP C 47PF J		C480			CK73HB1A104K	CHIP C 0.10UF K	
C360			CK73HB1E103K	CHIP C 0.010UF K		C481			CK73HB1H102K	CHIP C 1000PF K	
C398			CC73HCH1H100B	CHIP C 10PF B		C482			CC73HCH1H100B	CHIP C 10PF B	
C401			CK73HB1E103K	CHIP C 0.010UF K		C483			CK73HB1H102K	CHIP C 1000PF K	
C402			CK73GB1C225K	CHIP C 2.2UF K		C484			CK73HB1H471K	CHIP C 470PF K	
C405			CC73HCH1H101J	CHIP C 100PF J		C486			CC73HCH1H101J	CHIP C 100PF J	
C406			CC73HCH1H100B	CHIP C 10PF B		C491			CC73HCH1H101J	CHIP C 100PF J	
C408			CK73HB1E103K	CHIP C 0.010UF K		C492			CC73GCH1H101J	CHIP C 100PF J	
C409			CC73HCH1H100B	CHIP C 10PF B		C501,502			CK73HB1H471K	CHIP C 470PF K	
C410			CC73HCH1H101J	CHIP C 100PF J		C503			CK73HB1H102K	CHIP C 1000PF K	
C411			CK73HB1E103K	CHIP C 0.010UF K		C504			CK73HB1E682K	CHIP C 6800PF K	
C412			CC73HCH1H100B	CHIP C 10PF B		C505			CK73HB1E103K	CHIP C 0.010UF K	
C413,414			CK73HB1E103K	CHIP C 0.010UF K		C506			CC73HCH1H220G	CHIP C 22PF G	
C416-420			CC73HCH1H101J	CHIP C 100PF J		C507			CK73HB1H471K	CHIP C 470PF K	
C421			CK73HB1A104K	CHIP C 0.10UF K		C508,509			CK73HB1A105K	CHIP C 1.0UF K	
C422			CC73HCH1H101J	CHIP C 100PF J		C510			CK73HB1H471K	CHIP C 470PF K	
C423			CK73HB1A104K	CHIP C 0.10UF K		C511			CK73GB1E105K	CHIP C 1.0UF K	
C424,425			CC73HCH1H101J	CHIP C 100PF J		C512			CK73HB1H102K	CHIP C 1000PF K	
C426			CS77CA1VR15M	CHIP TNTL 0.15UF 35WV		C513			CK73HB1E682K	CHIP C 6800PF K	
C427			CS77BA1D100M	CHIP TNTL 10UF 20WV		C514			CK73GB0J475K	CHIP C 4.7UF K	
C428			C92-0863-05	CHIP TNTL 0.047UF 35WV		C515			CK73HB1A105K	CHIP C 1.0UF K	
C429			CK73HB1E103K	CHIP C 0.010UF K		C516			CK73HB1A104K	CHIP C 0.10UF K	
C431			CC73HCH1H101J	CHIP C 100PF J		C517,518			CK73HB1A105K	CHIP C 1.0UF K	
C432			C93-0787-05	CHIP C 0.1UF J		C519			CK73HB1H102K	CHIP C 1000PF K	

## PARTS LIST

TX-RX UNIT (X57-8040-10)

Ref. No.	Address	New parts	Parts No.	Description	Desti-nation	Ref. No.	Address	New parts	Parts No.	Description	Desti-nation
C520			CK73HB1A104K	CHIP C 0.10UF K		C680			CK73HB1A105K	CHIP C 1.0UF K	
C521			CK73GB0J106K	CHIP C 10UF K		C681			CK73HB1A104K	CHIP C 0.10UF K	
C522			CK73HB1A224K	CHIP C 0.22UF K		C682			CK73HB1H102K	CHIP C 1000PF K	
C523			CK73HB1H471K	CHIP C 470PF K		C683			CK73HB1A104K	CHIP C 0.10UF K	
C524			CK73HB1A105K	CHIP C 1.0UF K		C684			CK73HB1E682K	CHIP C 6800PF K	
C525			CK73HB1H102K	CHIP C 1000PF K		C685			CK73GB0J106K	CHIP C 10UF K	
C526			CS77CP1A100M	CHIP TNTL 10UF 10WV		C686			CC73HCH1H030B	CHIP C 3.0PF B	
C527			CK73GB0J106K	CHIP C 10UF K		C687			CK73HB1E103K	CHIP C 0.010UF K	
C528			CK73HB1A105K	CHIP C 1.0UF K		C688			CK73HB1A105K	CHIP C 1.0UF K	
C529			CK73GB1E105K	CHIP C 1.0UF K		C689			CK73HB1A104K	CHIP C 0.10UF K	
C530			CK73HB1A105K	CHIP C 1.0UF K		C691			CK73HB1E103K	CHIP C 0.010UF K	
C532			CC73HCH1H560J	CHIP C 56PF J		C692			CK73HB1A105K	CHIP C 1.0UF K	
C533-535			CK73HB1H102K	CHIP C 1000PF K		C693			CK73HB1A104K	CHIP C 0.10UF K	
C536			CK73HB1E682K	CHIP C 6800PF K		C695			CK73HB1E103K	CHIP C 0.010UF K	
C537			CK73HB1E103K	CHIP C 0.010UF K		C696,697			CK73HB1H102K	CHIP C 1000PF K	
C538			CK73HB1H471K	CHIP C 470PF K		C698-700			CK73HB1E103K	CHIP C 0.010UF K	
C539			CK73HB1H102K	CHIP C 1000PF K		C701			CK73HB1A104K	CHIP C 0.10UF K	
C540			CK73FB1E475K	CHIP C 4.7UF K		C901,902			CK73HB1H102K	CHIP C 1000PF K	
C541			CK73HB1E103K	CHIP C 0.010UF K		C903			CK73HB1A105K	CHIP C 1.0UF K	
C543			CS77BP1C010M	CHIP TNTL 1.0UF 16WV		C904			CC73HCH1H221J	CHIP C 220PF J	
C545			CK73GB1E105K	CHIP C 1.0UF K		C905			CK73HB1A105K	CHIP C 1.0UF K	
C548			CK73HB1H471K	CHIP C 470PF K		C906			CK73HB1A104K	CHIP C 0.10UF K	
C549			CK73HB1A104K	CHIP C 0.10UF K		C907			CK73GB0J106K	CHIP C 10UF K	
C550-552			CK73HB1H471K	CHIP C 470PF K		C908			CC73HCH1H101J	CHIP C 100PF J	
C553			CK73FB1C106K	CHIP C 10UF K		C909			CK73HB1A473K	CHIP C 0.047UF K	
C555			CK73HB1H471K	CHIP C 470PF K		C910			CK73GB1E105K	CHIP C 1.0UF K	
C558			CK73GB0J106K	CHIP C 10UF K		C913			CK73GB1E105K	CHIP C 1.0UF K	
C599			CK73HB1H471K	CHIP C 470PF K		C914			CS77BB20J101M	CHIP TNTL 100UF 6.3WV	
C601			CC73HCH1H101J	CHIP C 100PF J		C915,916			CC73HCH1H101J	CHIP C 100PF J	
C602			CK73HB1A104K	CHIP C 0.10UF K		C917			CK73HB1H102K	CHIP C 1000PF K	
C603			CK73HB1E103K	CHIP C 0.010UF K		C918			CC73HCH1H101J	CHIP C 100PF J	
C604			CK73HB1A683K	CHIP C 0.068UF K		C920			CK73HB1H102K	CHIP C 1000PF K	
C605			CK73HB1A104K	CHIP C 0.10UF K		C921			CC73HCH1H101J	CHIP C 100PF J	
C606-608			CK73HB1E103K	CHIP C 0.010UF K		C922			CK73HB1H102K	CHIP C 1000PF K	
C609,610			CK73GB0J106K	CHIP C 10UF K		C923			CC73HCH1H470J	CHIP C 47PF J	
C616			CC73HCH1H470J	CHIP C 47PF J		C927			CC73HCH1H470J	CHIP C 47PF J	
C618			CC73HCH1H470J	CHIP C 47PF J		CN1			E40-6573-05	FLAT CABLE CONNECTOR (11P)	
C620			CC73HCH1H470J	CHIP C 47PF J		CN2	*		E40-6893-05	FLAT CABLE CONNECTOR (24P)	
C622			CC73HCH1H470J	CHIP C 47PF J		CN3			E40-6568-05	FLAT CABLE CONNECTOR (6P)	
C624			CC73HCH1H470J	CHIP C 47PF J		CN4			E41-2359-05	PIN ASSY	
C626-631			CC73HCH1H470J	CHIP C 47PF J		J1			E11-0484-05	3.5D PHONE JACK (3.5D/3P)	
C638-644			CC73HCH1H470J	CHIP C 47PF J		J2			E11-0715-05	2.5D PHONE JACK	
C646,647			CK73HB1A104K	CHIP C 0.10UF K		F1			F53-0324-15	FUSE (2.5A)	
C648			CK73HB1E103K	CHIP C 0.010UF K		F2			F53-0319-15	FUSE (1A)	
C649,650			CK73HB1H102K	CHIP C 1000PF K		CF1			L72-1017-05	CERAMIC FILTER	
C652			CK73HB1A105K	CHIP C 1.0UF K		CF2			L72-1040-05	CERAMIC FILTER	
C653			CK73HB1E103K	CHIP C 0.010UF K		L102			L40-3375-71	SMALL FIXED INDUCTOR (33NH)	
C655			CK73HB1H102K	CHIP C 1000PF K		L103			L40-1085-92	SMALL FIXED INDUCTOR (100NH)	
C657-660			CK73HB1A104K	CHIP C 0.10UF K		L104			L40-3975-71	SMALL FIXED INDUCTOR (39NH)	
C661			CK73HB1A105K	CHIP C 1.0UF K		L105			L41-1085-43	SMALL FIXED INDUCTOR (100NH)	
C663			CK73HB1A105K	CHIP C 1.0UF K		L106			L92-0149-05	CHIP FERRITE	
C664-667			CC73HCH1H470J	CHIP C 47PF J		L107	*		L41-4763-53	SMALL FIXED INDUCTOR (4.7NH)	
C668			CK73HB1E103K	CHIP C 0.010UF K		L108			L92-0149-05	CHIP FERRITE	
C669			CK73HB1C473K	CHIP C 0.047UF K		L109			L34-4569-05	AIR-CORE COIL	
C670,671			CK73HB1E103K	CHIP C 0.010UF K		L110			L34-4563-05	AIR-CORE COIL	
C673			CK73HB1A104K	CHIP C 0.10UF K		L111,112			L34-4565-05	AIR-CORE COIL	
C674			CK73HB1E103K	CHIP C 0.010UF K		L113			L34-4574-05	AIR-CORE COIL	
C675			CK73HB1A104K	CHIP C 0.10UF K		L114			L34-4566-05	AIR-CORE COIL	
C677			CK73GB0J106K	CHIP C 10UF K							
C678,679			CK73HB1E103K	CHIP C 0.010UF K							

## PARTS LIST

### TX-RX UNIT (X57-8040-10)

Ref. No.	Address	New parts	Parts No.	Description	Destination	Ref. No.	Address	New parts	Parts No.	Description	Destination
L115			L34-4569-05	AIR-CORE COIL		CP601			RK74HB1J104J	CHIP-COM 100K J 1/16W	
L116			L34-4568-05	AIR-CORE COIL		CP602			RK74HB1J103J	CHIP-COM 10K J 1/16W	
L117			L41-2295-39	SMALL FIXED INDUCTOR (2.2UH)		CP603-605			RK74HB1J104J	CHIP-COM 100K J 1/16W	
L118			L34-4577-05	AIR-CORE COIL		CP607			RK74HB1J101J	CHIP-COM 100 J 1/16W	
L120			L92-0163-05	BEADS CORE		CP608			RK74HB1J000J	CHIP-COM 0.0 J 1/16W	
L121			L40-1085-71	SMALL FIXED INDUCTOR (100NH)		CP610			RK74HB1J102J	CHIP-COM 1.0K J 1/16W	
L201			L92-0138-05	CHIP FERRITE		R101			RK73HB1J472J	CHIP R 4.7K J 1/16W	
L202			L41-5685-39	SMALL FIXED INDUCTOR (0.56UH)		R102			RK73HB1J180J	CHIP R 18 J 1/16W	
L203			L41-2785-39	SMALL FIXED INDUCTOR (0.27UH)		R103,104			RK73HB1J271J	CHIP R 270 J 1/16W	
L204,205			L40-3375-71	SMALL FIXED INDUCTOR (33NH)		R109			RK73HB1J220J	CHIP R 22 J 1/16W	
L206			L41-8275-53	SMALL FIXED INDUCTOR (82NH)		R110			RK73HB1J222J	CHIP R 2.2K J 1/16W	
L207			L41-2285-14	SMALL FIXED INDUCTOR (220NH)		R111			RK73HB1J472J	CHIP R 4.7K J 1/16W	
L208			L41-6878-14	SMALL FIXED INDUCTOR (68NH)		R112			RK73HB1J561J	CHIP R 560 J 1/16W	
L210			L92-0138-05	CHIP FERRITE		R113			RK73GB2A270J	CHIP R 27 J 1/10W	
L211-213			L41-6878-14	SMALL FIXED INDUCTOR (68NH)		R114			RK73GB2A100J	CHIP R 10 J 1/10W	
L302			L40-5681-86	SMALL FIXED INDUCTOR (0.56UH)		R115			RK73HB1J120J	CHIP R 12 J 1/16W	
L305			L40-5675-92	SMALL FIXED INDUCTOR (56NH)		R116,117			RK73HB1J471J	CHIP R 470 J 1/16W	
L306			L40-1085-57	SMALL FIXED INDUCTOR (100NH)		R118			RK73HB1J180J	CHIP R 18 J 1/16W	
L307			L40-1591-86	SMALL FIXED INDUCTOR (1.5UH)		R119			RK73HB1J823J	CHIP R 82K J 1/16W	
L308			L92-0138-05	CHIP FERRITE		R120			RK73HB1J393J	CHIP R 39K J 1/16W	
L401			L41-4795-39	SMALL FIXED INDUCTOR (4.7UH)		R121			RK73HB1J470J	CHIP R 47 J 1/16W	
L402,403			L92-0163-05	BEADS CORE		R122			RK73HB1J101J	CHIP R 100 J 1/16W	
L404			L40-3391-86	SMALL FIXED INDUCTOR (3.3UH)		R123			RK73HB1J563J	CHIP R 56K J 1/16W	
L405			L40-1891-86	SMALL FIXED INDUCTOR (1.8UH)		R124			RK73HB1J683J	CHIP R 68K J 1/16W	
L408-410			L40-2285-92	SMALL FIXED INDUCTOR (220NH)		R129,130			RK73HB1J271J	CHIP R 270 J 1/16W	
L411			L40-2785-92	SMALL FIXED INDUCTOR (270NH)		R131			RK73GB2A823J	CHIP R 82K J 1/10W	
L412			L40-2285-92	SMALL FIXED INDUCTOR (220NH)		R132,133			RK73GB2A000J	CHIP R 0.0 J 1/10W	
L413			L40-1085-92	SMALL FIXED INDUCTOR (100NH)		R141,142			RK73HB1J474J	CHIP R 470K J 1/16W	
L414			L40-5663-57	SMALL FIXED INDUCTOR (5.6NH)		R143			RK73HB1J102J	CHIP R 1.0K J 1/16W	
L415			L40-5678-67	SMALL FIXED INDUCTOR (56NH)		R144			RK73HB1J273J	CHIP R 27K J 1/16W	
L416			L40-2778-67	SMALL FIXED INDUCTOR (27NH)		R146			RK73HB1J000J	CHIP R 0.0 J 1/16W	
L417			L92-0446-05	BEADS CORE		R147			RK73HB1J561J	CHIP R 560 J 1/16W	
L418,419			L40-3391-86	SMALL FIXED INDUCTOR (3.3UH)		R148-150			RK73HB1J102J	CHIP R 1.0K J 1/16W	
L421			L40-5663-57	SMALL FIXED INDUCTOR (5.6NH)		R152			RK73HB1J103J	CHIP R 10K J 1/16W	
L422			L40-1285-71	SMALL FIXED INDUCTOR (120NH)		R153-155			RK73EB2ER39K	CHIP R 0.39 K 1/4W	
L423			L40-8275-92	SMALL FIXED INDUCTOR (82NH)		R156,157			RK73HH1J154D	CHIP R 150K D 1/16W	
L424			L40-1285-92	SMALL FIXED INDUCTOR (120NH)		R158			RK73HB1J000J	CHIP R 0.0 J 1/16W	
L425			L92-0163-05	BEADS CORE		R159			RK73HH1J474D	CHIP R 470K D 1/16W	
L502			L92-0163-05	BEADS CORE		R160			RK73HB1J000J	CHIP R 0.0 J 1/16W	
L503			L33-1494-05	SMALL FIXED INDUCTOR (4.7UH)		R161			RK73HH1J474D	CHIP R 470K D 1/16W	
L504			L92-0149-05	CHIP FERRITE		R162			RK73HB1J103J	CHIP R 10K J 1/16W	
L505			L92-0467-05	CHIP FERRITE		R163			RK73HB1J224J	CHIP R 220K J 1/16W	
L506			L92-0162-05	BEADS CORE		R164			RK73HB1J104J	CHIP R 100K J 1/16W	
L508			L92-0467-05	CHIP FERRITE		R165			RK73HB1J563J	CHIP R 56K J 1/16W	
L509			L33-1530-05	SMALL FIXED INDUCTOR (15UH)		R166			RK73HB1J000J	CHIP R 0.0 J 1/16W	
L511		*	L41-1092-02	SMALL FIXED INDUCTOR (1.0UH)		R167			RK73HB1J222J	CHIP R 2.2K J 1/16W	
L602-605			L92-0408-05	CHIP FERRITE		R168			RK73HB1J823J	CHIP R 82K J 1/16W	
L607			L92-0444-05	CHIP FERRITE		R169			RK73HB1J104J	CHIP R 100K J 1/16W	
L609			L92-0444-05	CHIP FERRITE		R201			RK73HB1J470J	CHIP R 47 J 1/16W	
L611			L92-0444-05	CHIP FERRITE		R203			RK73HB1J681J	CHIP R 680 J 1/16W	
L613			L92-0163-05	BEADS CORE		R204			RK73HB1J472J	CHIP R 4.7K J 1/16W	
L614-616			L92-0444-05	CHIP FERRITE		R205			RK73HH1J331D	CHIP R 330 D 1/16W	
L617			L92-0162-05	BEADS CORE		R207			RK73HB1J104J	CHIP R 100K J 1/16W	
L901-903			L92-0408-05	CHIP FERRITE		R208			RK73HB1J154J	CHIP R 150K J 1/16W	
X401		*	L77-3073-05	TCXO (16.8MHZ)		R209			RK73HB1J104J	CHIP R 100K J 1/16W	
X601			L77-3015-05	TCXO (18.432MHZ)		R210			RK73HB1J224J	CHIP R 220K J 1/16W	
XF1			L71-0655-05	MCF (49.95MHZ)		R211			RK73HB1J000J	CHIP R 0.0 J 1/16W	
CP401			RK74HB1J100J	CHIP-COM 10 J 1/16W		R212			RK73HB1J105J	CHIP R 1.0M J 1/16W	
CP501			RK74HB1J104J	CHIP-COM 100K J 1/16W		R213			RK73HB1J104J	CHIP R 100K J 1/16W	
						R216			RK73HB1J563J	CHIP R 56K J 1/16W	

## PARTS LIST

TX-RX UNIT (X57-8040-10)

Ref. No.	Address	New parts	Parts No.	Description	Desti-nation	Ref. No.	Address	New parts	Parts No.	Description	Desti-nation
R217			RK73HB1J104J	CHIP R 100K J 1/16W		R422			RK73HB1J106J	CHIP R 10M J 1/16W	
R220			RK73HB1J105J	CHIP R 1.0M J 1/16W		R423			RK73HH1J474D	CHIP R 470K D 1/16W	
R221			RK73HB1J103J	CHIP R 10K J 1/16W		R424,425			RK73HB1J000J	CHIP R 0.0 J 1/16W	
R223			RK73HB1J102J	CHIP R 1.0K J 1/16W		R426			RK73HB1J473J	CHIP R 47K J 1/16W	
R224			RK73HB1J103J	CHIP R 10K J 1/16W		R427			RK73HB1J683J	CHIP R 68K J 1/16W	
R225			RK73HB1J680J	CHIP R 68 J 1/16W		R428-431			RK73HB1J000J	CHIP R 0.0 J 1/16W	
R226			RK73HH1J221D	CHIP R 220 D 1/16W		R432			RK73HH1J124D	CHIP R 120K D 1/16W	
R227			RK73HB1J224J	CHIP R 220K J 1/16W		R433			RK73HB1J000J	CHIP R 0.0 J 1/16W	
R228			RK73HB1J104J	CHIP R 100K J 1/16W		R434			RK73HB1J182J	CHIP R 1.8K J 1/16W	
R231			RK73HB1J823J	CHIP R 82K J 1/16W		R435			RK73HB1J103J	CHIP R 10K J 1/16W	
R232			RK73HB1J154J	CHIP R 150K J 1/16W		R436			RK73HB1J393J	CHIP R 39K J 1/16W	
R233,234			RK73HB1J104J	CHIP R 100K J 1/16W		R437,438			RK73HB1J473J	CHIP R 47K J 1/16W	
R235			RK73HB1J000J	CHIP R 0.0 J 1/16W		R439			RK73HB1J472J	CHIP R 4.7K J 1/16W	
R236,237			RK73HB1J104J	CHIP R 100K J 1/16W		R440			RK73HB1J104J	CHIP R 100K J 1/16W	
R239			RK73GB2A000J	CHIP R 0.0 J 1/10W		R441			RK73HB1J474J	CHIP R 470K J 1/16W	
R240			RK73HB1J000J	CHIP R 0.0 J 1/16W		R442			RK73HB1J104J	CHIP R 100K J 1/16W	
R245			RK73HB1J102J	CHIP R 1.0K J 1/16W		R443,444			RK73HH1J331D	CHIP R 330 D 1/16W	
R301			RK73HB1J561J	CHIP R 560 J 1/16W		R445			RK73HB1J104J	CHIP R 100K J 1/16W	
R302			RK73HB1J102J	CHIP R 1.0K J 1/16W		R446,447			RK73HB1J220J	CHIP R 22 J 1/16W	
R304			RK73HB1J000J	CHIP R 0.0 J 1/16W		R448			RK73HB1J474J	CHIP R 470K J 1/16W	
R305			RK73HB1J100J	CHIP R 10 J 1/16W		R449			RK73HB1J102J	CHIP R 1.0K J 1/16W	
R306			RK73HB1J334J	CHIP R 330K J 1/16W		R450			RK73HB1J473J	CHIP R 47K J 1/16W	
R308			RK73HB1J000J	CHIP R 0.0 J 1/16W		R451			RK73HB1J224J	CHIP R 220K J 1/16W	
R310			RK73HB1J103J	CHIP R 10K J 1/16W		R452			RK73HB1J101J	CHIP R 100 J 1/16W	
R317			RK73HB1J102J	CHIP R 1.0K J 1/16W		R453			RK73HB1J560J	CHIP R 56 J 1/16W	
R320			RK73HB1J274J	CHIP R 270K J 1/16W		R454			RK73HB1J561J	CHIP R 560 J 1/16W	
R321			RK73HB1J102J	CHIP R 1.0K J 1/16W		R455			RK73HB1J563J	CHIP R 56K J 1/16W	
R326			RK73HB1J104J	CHIP R 100K J 1/16W		R456			RK73HB1J103J	CHIP R 10K J 1/16W	
R327			RK73HB1J103J	CHIP R 10K J 1/16W		R457			RK73HB1J472J	CHIP R 4.7K J 1/16W	
R328			RK73HB1J472J	CHIP R 4.7K J 1/16W		R458			RK73HB1J332J	CHIP R 3.3K J 1/16W	
R329			RK73HB1J223J	CHIP R 22K J 1/16W		R459			RK73HB1J331J	CHIP R 330 J 1/16W	
R330			RK73HB1J183J	CHIP R 18K J 1/16W		R460			RK73HB1J222J	CHIP R 2.2K J 1/16W	
R331			RK73HB1J103J	CHIP R 10K J 1/16W		R461			RK73HB1J470J	CHIP R 47 J 1/16W	
R332			RK73HB1J473J	CHIP R 47K J 1/16W		R462			RK73HB1J102J	CHIP R 1.0K J 1/16W	
R335			RK73HH1J221D	CHIP R 220 D 1/16W		R463			RK73HB1J224J	CHIP R 220K J 1/16W	
R338			RK73HB1J101J	CHIP R 100 J 1/16W		R464			RK73HB1J183J	CHIP R 18K J 1/16W	
R340			RK73HB1J564J	CHIP R 560K J 1/16W		R467			RK73HB1J000J	CHIP R 0.0 J 1/16W	
R341			RK73HB1J104J	CHIP R 100K J 1/16W		R468			RK73HB1J102J	CHIP R 1.0K J 1/16W	
R344			RK73HB1J682J	CHIP R 6.8K J 1/16W		R469			RK73HB1J104J	CHIP R 100K J 1/16W	
R345,346			RK73HB1J271J	CHIP R 270 J 1/16W		R474			RK73HB1J000J	CHIP R 0.0 J 1/16W	
R349			RK73HB1J102J	CHIP R 1.0K J 1/16W		R501			RK73HH1J274D	CHIP R 270K D 1/16W	
R351			RK73HB1J104J	CHIP R 100K J 1/16W		R502			RK73HB1J272J	CHIP R 2.7K J 1/16W	
R352			RK73HB1J103J	CHIP R 10K J 1/16W		R503			RK73HB1J000J	CHIP R 0.0 J 1/16W	
R354			RK73HB1J000J	CHIP R 0.0 J 1/16W		R504			RK73HB1J222J	CHIP R 2.2K J 1/16W	
R355,356			RK73HB1J822J	CHIP R 8.2K J 1/16W		R505			RK73HH1J184D	CHIP R 180K D 1/16W	
R357			RK73GB2A821J	CHIP R 820 J 1/10W		R506			RK73HB1J101J	CHIP R 100 J 1/16W	
R400			RK73HB1J470J	CHIP R 47 J 1/16W		R507			RK73HB1J683J	CHIP R 68K J 1/16W	
R404			RK73HB1J470J	CHIP R 47 J 1/16W		R508			RK73HB1J102J	CHIP R 1.0K J 1/16W	
R407			RK73HB1J100J	CHIP R 10 J 1/16W		R509			RK73HB1J222J	CHIP R 2.2K J 1/16W	
R408,409			RK73HB1J102J	CHIP R 1.0K J 1/16W		R510			RK73HB1J100J	CHIP R 10 J 1/16W	
R410			RK73HH1J124D	CHIP R 120K D 1/16W		R511			RK73HB1J471J	CHIP R 470 J 1/16W	
R411,412			RK73HB1J100J	CHIP R 10 J 1/16W		R512			RK73HH1J683D	CHIP R 68K D 1/16W	
R413			RK73HB1J473J	CHIP R 47K J 1/16W		R513			RK73HH1J333D	CHIP R 33K D 1/16W	
R414			RK73HB1J102J	CHIP R 1.0K J 1/16W		R514			RK73HH1J394D	CHIP R 390K D 1/16W	
R415			RK73HB1J100J	CHIP R 10 J 1/16W		R515			RK73HH1J154D	CHIP R 150K D 1/16W	
R416,417			RK73HB1J000J	CHIP R 0.0 J 1/16W		R516			RK73HB1J103J	CHIP R 10K J 1/16W	
R418			RK73HH1J121D	CHIP R 120 D 1/16W		R517,518			RK73HB1J474J	CHIP R 470K J 1/16W	
R419			RK73HH1J391D	CHIP R 390 D 1/16W		R519			RK73HB1J103J	CHIP R 10K J 1/16W	
R420			RK73HH1J473D	CHIP R 47K D 1/16W		R520			RK73GB2A2R2J	CHIP R 2.2 J 1/10W	
R421			RK73HB1J103J	CHIP R 10K J 1/16W		R524			RK73HB1J474J	CHIP R 470K J 1/16W	

## PARTS LIST

### TX-RX UNIT (X57-8040-10)

Ref. No.	Address	New parts	Parts No.	Description	Destination	Ref. No.	Address	New parts	Parts No.	Description	Destination
R529			RK73HB1J000J	CHIP R 0.0 J 1/16W		R908			RK73HB1J334J	CHIP R 330K J 1/16W	
R530-533			RK73HB1J104J	CHIP R 100K J 1/16W		R909			RK73HB1J274J	CHIP R 270K J 1/16W	
R539,540			RK73HB1J474J	CHIP R 470K J 1/16W		R910			RK73HB1J473J	CHIP R 47K J 1/16W	
R542,543			RK73HB1J474J	CHIP R 470K J 1/16W		R911			RK73HB1J273J	CHIP R 27K J 1/16W	
R544			RK73HB1J103J	CHIP R 10K J 1/16W		R912			RK73HB1J681J	CHIP R 680 J 1/16W	
R545			RK73HB1J474J	CHIP R 470K J 1/16W		R913			RK73HB1J101J	CHIP R 100 J 1/16W	
R546			RK73HB1J103J	CHIP R 10K J 1/16W		R914			RK73HB1J562J	CHIP R 5.6K J 1/16W	
R547			RK73GB2A000J	CHIP R 0.0 J 1/10W		R917,918			RK73HB1J000J	CHIP R 0.0 J 1/16W	
R548			RK73GB2A101J	CHIP R 100 J 1/10W		R919			RK73GB2A104J	CHIP R 100K J 1/10W	
R549,550			RK73HB1J474J	CHIP R 470K J 1/16W		R920			RK73HB1J473J	CHIP R 47K J 1/16W	
R551			RK73HB1J102J	CHIP R 1.0K J 1/16W		R921			RK73HB1J682J	CHIP R 6.8K J 1/16W	
R552			RK73HB1J101J	CHIP R 100 J 1/16W		D101			HZU5CLL	ZENER DIODE	
R553			RK73GB2A000J	CHIP R 0.0 J 1/10W		D102,103			HVC131	DIODE	
R554			RK73GB2A1R0J	CHIP R 1.0 J 1/10W		D105,106			RN142S	DIODE	
R604			RK73HB1J102J	CHIP R 1.0K J 1/16W		D202-204			1SV305F	VARIABLE CAPACITANCE DIODE	
R606			RK73HB1J102J	CHIP R 1.0K J 1/16W		D206			1SV305F	VARIABLE CAPACITANCE DIODE	
R609			RK73HB1J101J	CHIP R 100 J 1/16W		D401			DA221	DIODE	
R610,611			RK73HB1J000J	CHIP R 0.0 J 1/16W		D402-405			1SV325F	VARIABLE CAPACITANCE DIODE	
R612-614			RK73HB1J101J	CHIP R 100 J 1/16W		D407			1SV325F	VARIABLE CAPACITANCE DIODE	
R615,616			RK73HB1J472J	CHIP R 4.7K J 1/16W		D409			1SV325F	VARIABLE CAPACITANCE DIODE	
R617			RK73HB1J101J	CHIP R 100 J 1/16W		D410			1SV278F	VARIABLE CAPACITANCE DIODE	
R618			RK73HB1J474J	CHIP R 470K J 1/16W		D411			1SV325F	VARIABLE CAPACITANCE DIODE	
R619,620			RK73HB1J100J	CHIP R 10 J 1/16W		D412,413			HSC277	DIODE	
R623			RK73HB1J103J	CHIP R 10K J 1/16W		D414			HSC119	DIODE	
R624,625			RK73HB1J472J	CHIP R 4.7K J 1/16W		D415			1SV325F	VARIABLE CAPACITANCE DIODE	
R628,629			RK73HB1J220J	CHIP R 22 J 1/16W		D416,417			1SV305F	VARIABLE CAPACITANCE DIODE	
R630			RK73HB1J474J	CHIP R 470K J 1/16W		D501			1SR154-400	DIODE	
R631			RK73HB1J102J	CHIP R 1.0K J 1/16W		D502			1SS388F	DIODE	
R632			RK73HB1J104J	CHIP R 100K J 1/16W		D505			1SS388F	DIODE	
R633,634			RK73HB1J102J	CHIP R 1.0K J 1/16W		D506			HRB0502A	DIODE	
R635			RK73HH1J103D	CHIP R 10K D 1/16W		D508			DAN222	DIODE	
R636			RK73HB1J104J	CHIP R 100K J 1/16W		D509			1SS388F	DIODE	
R637			RK73HH1J104D	CHIP R 100K D 1/16W		D511,512			1SS416	DIODE	
R638			RK73HB1J183J	CHIP R 18K J 1/16W		D901			1SS416	DIODE	
R639			RK73HB1J000J	CHIP R 0.0 J 1/16W		D902			DAN222	DIODE	
R640-642			RK73HB1J102J	CHIP R 1.0K J 1/16W		IC101			TA75W01FUF	MOS-IC	
R646,647			RK73HB1J000J	CHIP R 0.0 J 1/16W		IC201			TC75W51FK(F)	MOS-IC	
R649			RK73HB1J104J	CHIP R 100K J 1/16W		IC302			TK10931VTL-G	ANALOGUE IC	
R650			RK73HB1J474J	CHIP R 470K J 1/16W		IC304			TC75W51FK(F)	MOS-IC	
R653			RK73HB1J000J	CHIP R 0.0 J 1/16W		IC402			XC221A1200MRG	MOS-IC	
R655			RK73HB1J000J	CHIP R 0.0 J 1/16W		IC403			SKY72310-362	MOS-IC	
R656			RK73HB1J563J	CHIP R 56K J 1/16W		IC404			TC75W51FK(F)	MOS-IC	
R657,658			RK73HB1J103J	CHIP R 10K J 1/16W		IC501,502			NJM2878F4-33	BI-POLAR IC	
R659			RK73HB1J563J	CHIP R 56K J 1/16W		IC503			XC9235A15CM-G	MOS-IC	
R660			RK73HB1J823J	CHIP R 82K J 1/16W		IC504			XC6209B502P-G	MOS-IC	
R661			RK73HB1J184J	CHIP R 180K J 1/16W		IC505			XC6209B332M-G	MOS-IC	
R662			RK73HB1J103J	CHIP R 10K J 1/16W		IC506			LT1616ES6-PBF	ANALOGUE IC	
R663			RK73HB1J223J	CHIP R 22K J 1/16W		IC507			XC61CC5602N-G	MOS-IC	
R664			RK73HB1J153J	CHIP R 15K J 1/16W		IC509			TC7W53FK(F)	MOS-IC	
R665			RK73GB2A000J	CHIP R 0.0 J 1/10W		IC601			<b>Note 1</b>	ROM IC	
R666,667			RK73HB1J000J	CHIP R 0.0 J 1/16W		IC603			<b>Note 1</b>	MICROPROCESSOR IC	
R668			RK73HB1J103J	CHIP R 10K J 1/16W		IC605			<b>Note 1</b>	SRAM IC	
R690			RK73HB1J000J	CHIP R 0.0 J 1/16W		IC607			XC6119C29ANR	MOS-IC	
R901			RK73HB1J103J	CHIP R 10K J 1/16W		IC609			SM5023CNDH-G	MOS-IC	
R902			RK73HB1J563J	CHIP R 56K J 1/16W		IC610			<b>Note 1</b>	MOS-IC	
R903			RK73HB1J473J	CHIP R 47K J 1/16W		IC611,612			TC7SH08FU-F	MOS-IC	
R904			RK73HB1J222J	CHIP R 2.2K J 1/16W		IC613		*	KXSD9-2050	MOS-IC	
R905			RK73HB1J474J	CHIP R 470K J 1/16W		IC901			TA7368FG	MOS-IC	
R906			RK73HB1J151J	CHIP R 150 J 1/16W		IC902			XC6209B502P-G	MOS-IC	
R907			RK73HB1J103J	CHIP R 10K J 1/16W							

## PARTS LIST

TX-RX UNIT (X57-8040-10)

Ref. No.	Address	New parts	Parts No.	Description	Destination	Ref. No.	Address	New parts	Parts No.	Description	Destination
IC904			TC75S51FE(F)	MOS-IC							
Q102			2SC4926YD	TRANSISTOR							
Q103			RD01MUS1-T113	FET							
Q104			RD07MUS2BT112	FET							
Q105			2SC5383-T111	TRANSISTOR							
Q106			RT1N441U-T111	TRANSISTOR							
Q107			SSM3K15TE(F)	FET							
Q108			SSM3J05FU-F	FET							
Q109			SSM3K15TE(F)	FET							
Q110			SSM6L05FU-F	FET							
Q201			3SK318	FET							
Q202			3SK294-FP	FET							
Q301			2SC5108(Y)F	TRANSISTOR							
Q303			2SC4215-F(Y)	TRANSISTOR							
Q401,402			MCH3914(7)-H	FET							
Q403			2SC5383-T111	TRANSISTOR							
Q404			2SC5636	TRANSISTOR							
Q405			2SC5108(Y)F	TRANSISTOR							
Q406			SSM6L05FU-F	FET							
Q407			SSM3J05FU-F	FET							
Q408			2SC5636	TRANSISTOR							
Q501			2SJ648-A	FET							
Q502			SSM3K15TE(F)	FET							
Q503			EMD5	TRANSISTOR							
Q505			2SA1955A-F	TRANSISTOR							
Q506,507			SSM6N16FE-F	FET							
Q509			EMD12	TRANSISTOR							
Q510			RT1N141U-T111	TRANSISTOR							
Q511			RT1N441U-T111	TRANSISTOR							
Q512			SSM6L05FU-F	FET							
Q602			SSM3K15TE(F)	FET							
Q901			RT1N141U-T111	TRANSISTOR							
Q902			2SA1362-F(GR)	TRANSISTOR							
Q903			RT1N441U-T111	TRANSISTOR							
Q904,905			2SK3577-A	FET							
Q906			RT1N141U-T111	TRANSISTOR							
Q907			UPA672T-A	FET							
TH101			ERTJ0EV104H	THERMISTOR							
TH402			ERTJ0EV104H	THERMISTOR							