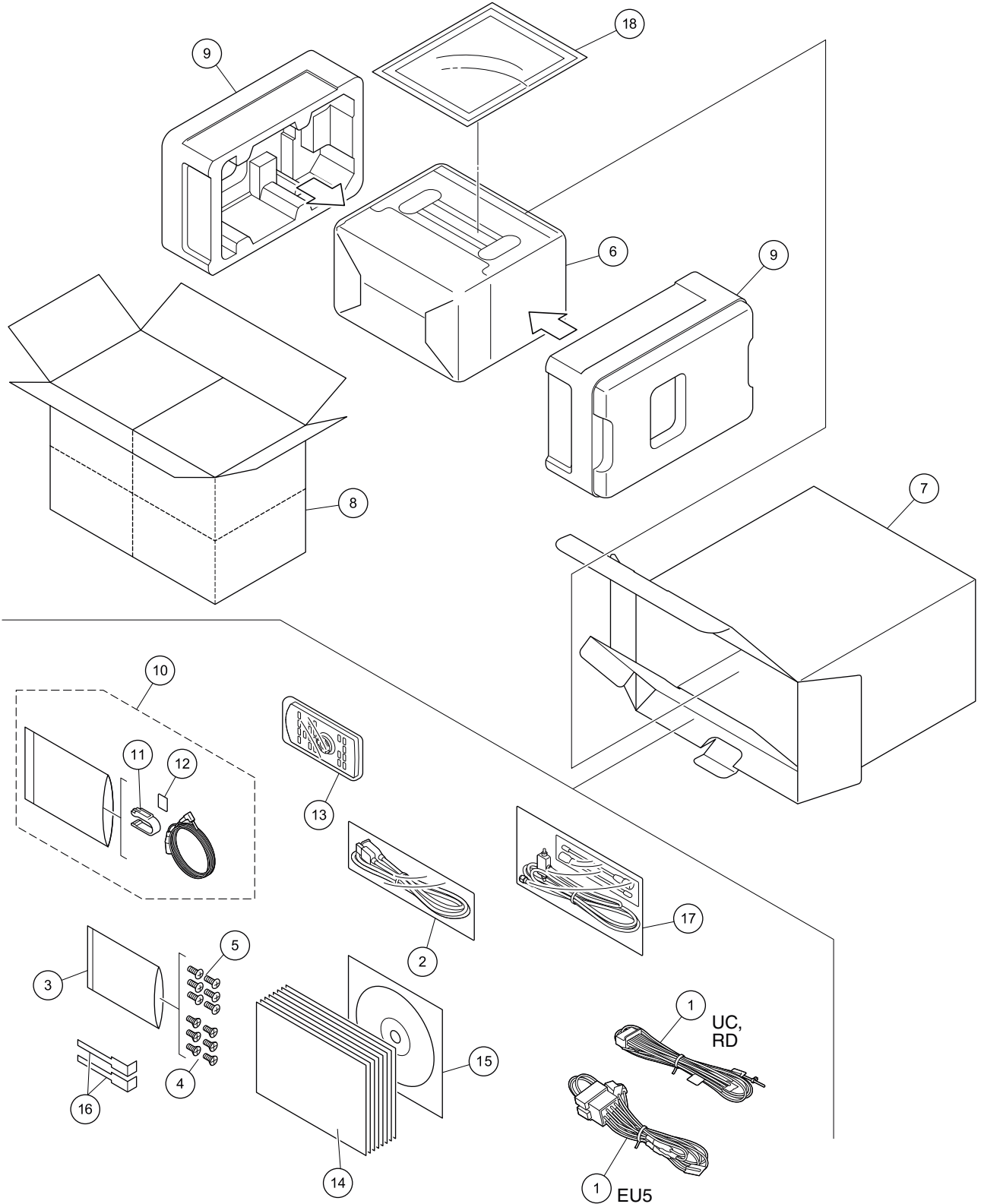


# 9. EXPLODED VIEWS AND PARTS LIST

- NOTES :**
- Parts marked by "\*" are generally unavailable because they are not in our Master Spare Parts List.
  - The  $\triangle$  mark found on some component parts indicates the importance of the safety factor of the part. Therefore, when replacing, be sure to use parts of identical designation.
  - Screw adjacent to  $\nabla$  mark on the product are used for disassembly.
  - For the applying amount of lubricants or glue, follow the instructions in this manual. (In the case of no amount instructions, apply as you think it appropriate.)

## 9.1 PACKING



**(1) PACKING SECTION PARTS LIST**

Mark No.	Description	Part No.	Mark No.	Description	Part No.
	1 Cord Assy	See Contrast table (2)	13	Card Remote Control Unit	See Contrast table (2)
A	2 USB Extended Cable	CDP1587	14-1	Owner's Manual	See Contrast table (2)
	3 Polyethylene Bag	CEG1160	* 14-2	Warranty Card	See Contrast table (2)
	4 Screw	CBA2384			
	5 Screw	CBA2383	14-3	Quick Start Guide	See Contrast table (2)
			14-4	Installation Manual	See Contrast table (2)
	6 Cover	See Contrast table (2)	* 14-5	Caution Card	See Contrast table (2)
	7 Unit Box	See Contrast table (2)	* 14-6	Caution Card	See Contrast table (2)
	8 Contain Box	See Contrast table (2)	14-7	Caurion Card	CRP1502
	9 Protector	See Contrast table (2)			
	10 Microphone Assy	CPM1083	15	IM CD-ROM	See Contrast table (2)
			16	Handle	See Contrast table (2)
B	11 Holder	CZN7192	17	Rod Antenna	See Contrast table (2)
	12 Cushion	CZN7193	18	Panel	See Contrast table (2)

**(2) CONTRAST TABLE**

AVH-X5800BHS/XNUC,AVH-X5800DAB/XNEU5 and AVH-X5850TV/XNRD are constructed the same except for the following:

Mark	No.	Description	AVH-X5800BHS/XNUC	AVH-X5800DAB/XNEU5	AVH-X5850TV/XNRD
	1	Cord Assy	CDP1665	CDP1670	CDP1665
	5	Screw	CBA2383	CBA2383	Not used
	6	Cover	CEG1359	CEG1356	CEG1356
C	7	Unit Box	CHG9143	CHG9151	CHG9146
	8	Contain Box	CHL9143	CHL9151	CHL9146
	9	Protector	CHP4598	CHP4599	CHP4598
	13	Card Remote Control Unit	CXE5116	Not used	CXE5116
	14-1	Owner's Manual	CRD4924	Not used	CRD4926
*	14-2	Warranty Card	QRY3001	CRY1376	Not used
	14-3	Quick Start Guide	Not used	CRD4922	Not used
	14-4	Installation Manual	Not used	CRD4923	Not used
D	* 14-5	Caution Card	Card	Not used	CRP1441
	* 14-6	Caution Card	Not used	CRP1481	Not used
	15	IM CD-ROM	Not used	CRI1002	Not used
	16	Handle	Not used	CND6289	Not used
	17	Rod Antenna	Not used	Not used	CXE7989
	18	Panel	Not used	Not used	CNS9475

**Owner's Manual,Installation Manual**

Pats No.	Language
CRD4922	English, French, Italian, Spanish(Espanol), German, Dutch
CRD4923	English, French, Italian, Spanish(Espanol), German, Dutch
CRD4924	English, French, Spanish(Espanol)
CRD4926	English, Spanish(Espanol), Portuguese(B)

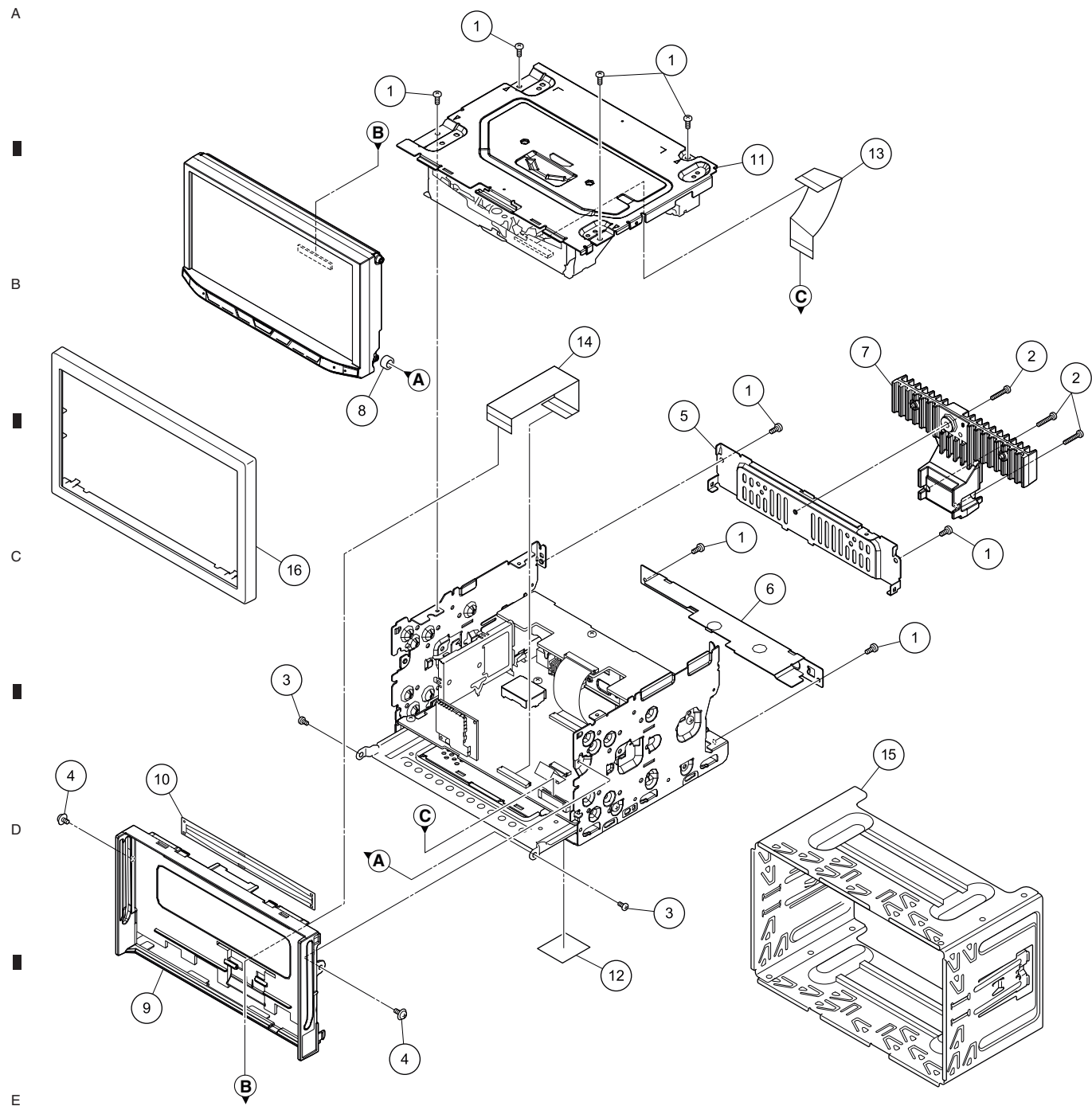
## CONTENTS OF CD-ROM (Operation Manual), CPI1002

Pats No.	Language
*CRB4721	English
*CRB4722	French
*CRB4723	Italian
*CRB4724	Spanish(Espanol)
*CRB4725	German
*CRB4726	Dutch
*CRB4727	Swedish
*CRB4728	Norwegian
*CRB4729	Finnish
*CRB4730	Danish
*CRB4731	Portuguese
*CRB4732	Greek
*CRB4733	Turkish

All operation manuals are supplied in PDF files by the CD-ROM.

**All operation manuals are supplied in PDF files by the CD-ROM.  
Regarding the availability of paper manual, contact Pioneer Service representative in your region.**

# 9.2 EXTERIOR(1)



**(1) EXTERIOR(1) SECTION PARTS LIST**

<u>Mark No.</u>	<u>Description</u>	<u>Part No.</u>	<u>Mark No.</u>	<u>Description</u>	<u>Part No.</u>
1	Screw	BSZ26P060FTC	10	Cover	CNN4866
2	Screw	BSZ26P120FTC			
3	Screw	CBA1735	11	DVD Mechanism Module (LS2.5)	CXK8100
4	Screw	ISS26P055FTC	12	Label	CNN3533
5	Holder	CND7211	13	FFC	CDD1069
			14	FFC	CDD1072
6	Holder	CND7212	15	Holder	See Contrast table (2)
7	Heat Sink	CNR2170			
8	Collar	CNW2038	16	Panel	See Contrast table (2)
9	Panel	See Contrast table (2)			

**(2) CONTRAST TABLE**

AVH-X5800BHS/XNUC, AVH-X5800DAB/XNEU5 and AVH-X5850TV/XNRD are constructed the same except for the following:

Mark	No.	Description	AVH-X5800BHS/XNUC	AVH-X5800DAB/XNEU5	AVH-X5850TV/XNRD
	9	Panel	CNU2913	CNU2915	CNU2917
	15	Holder	Not used	CND7102	Not used
	16	Panel	Not used	CNU2645	Not used

# 9.3 EXTERIOR(2)

1

2

3

4

A

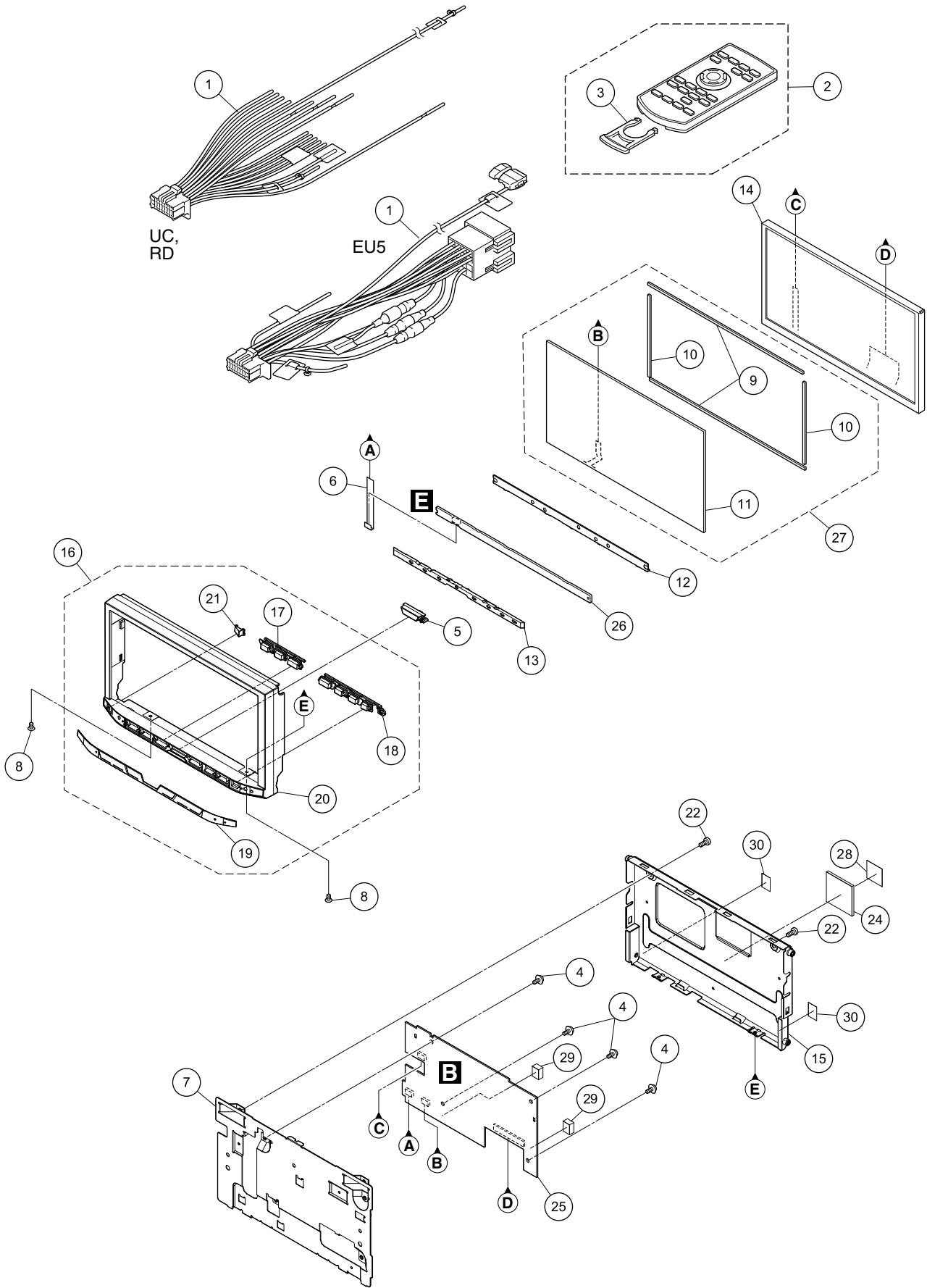
B

C

D

E

F



1

2

3

4

**(1) EXTERIOR(2) SECTION PARTS LIST**

<u>Mark No.</u>	<u>Description</u>	<u>Part No.</u>	<u>Mark No.</u>	<u>Description</u>	<u>Part No.</u>
1	Cord Assy	See Contrast table (2)	16	Grille Assy	See Contrast table (2)
2	Card Remote Control Unit	See Contrast table (2)	17	Button	CAI4319
3	Battery Cover	See Contrast table (2)	18	Button	CAI4320
4	Screw	ASZ26P050FTC	19	Plate	See Contrast table (2)
5	Button (HOME)	CAI4318	20	Grille	CNU2894
6	FFC	CDD1038	21	Lighting Conductor	CNW3103
7	Holder	CND7197	22	Screw	BSZ26P060FTC
8	Screw (M2 x 3)	CBA1877	23	.....	
9	Cushion	CNN4271	24	Cushion	CNN5006
10	Cushion	CNN4272	25	Service Unit (Monitor)	See Contrast table (2)
11	Touch Panel	CSX1241	26	Service Unit (Keyboard)	CXX8413
12	Holder	CNW3104	27	Touch Panel Unit	CXE7770
13	Lighting Conductor	CNW3102	28	Sheet	See Contrast table (2)
14	TFT LCD	CWX4182	29	Gasket	CNN5243
15	Case Unit	CXE7602	30	Sheet	CNN5262

**(2) CONTRAST TABLE**

AVH-X5800BHS/XNUC, AVH-X5800DAB/XNEU5 and AVH-X5850TV/XNRD are constructed the same except for the following:

<b>Mark</b>	<b>No.</b>	<b>Description</b>	<b>AVH-X5800BHS/XNUC</b>	<b>AVH-X5800DAB/XNEU5</b>	<b>AVH-X5850TV/XNRD</b>
	1	Cord Assy	CDP1665	CDP1670	
	2	Card Remote Control Unit	CXE5116	Not used	CXE5116
	3	Battery Cover	CNU1624	Not used	CNU1624
	16	Grille Assy	CXE8826	CXE8827	CXE8828
	19	Plate	CNN5158	CNN5159	CNN5160
	25	Service Unit (Monitor)	CXX8373	CXX8374	CXX8373
	28	Sheet	Not used	CNN5146	Not used

# 9.4 EXTERIOR(3)

A

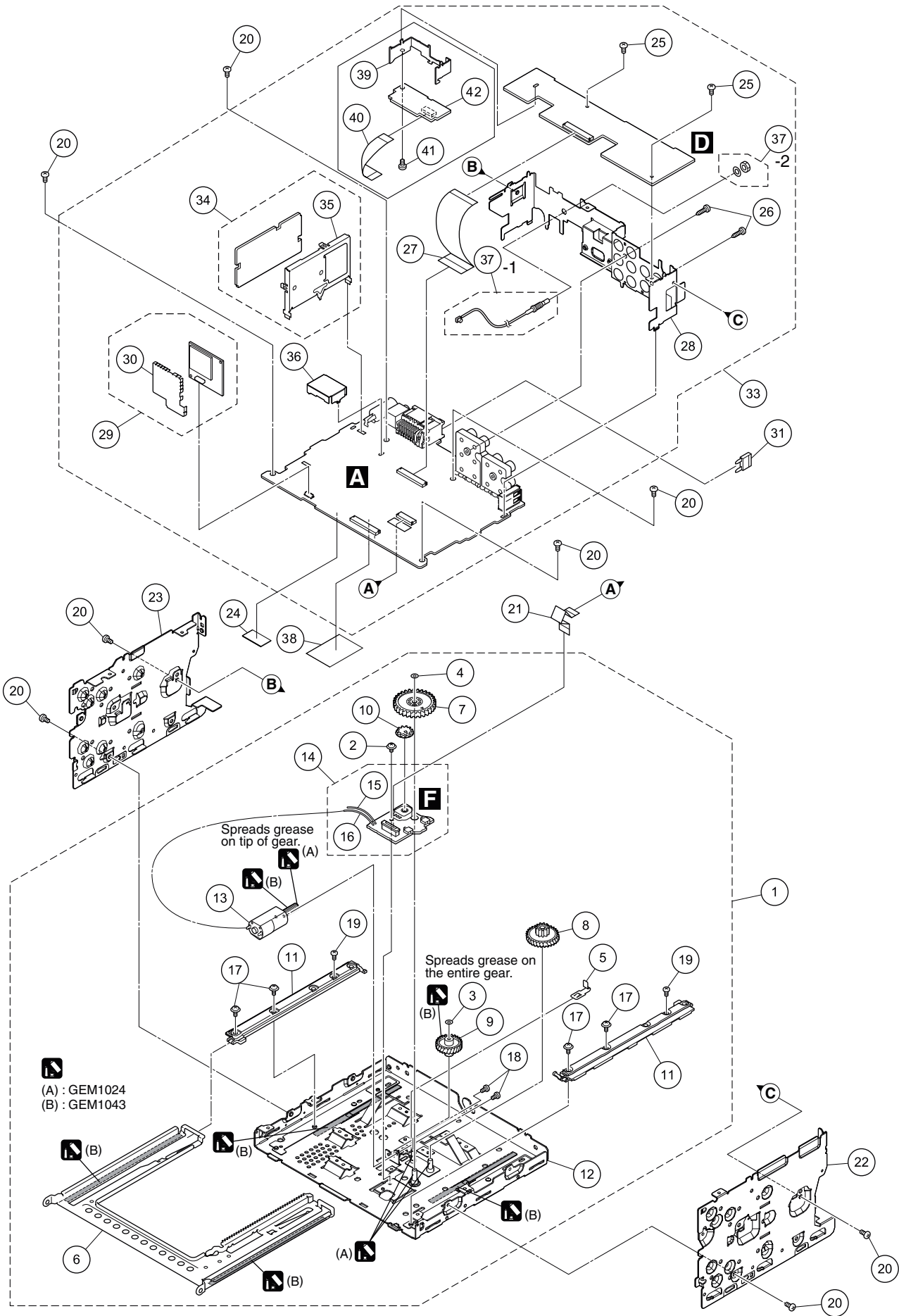
B

C

D

E

F



**(1) EXTERIOR(3) SECTION PARTS LIST**

<u>Mark No.</u>	<u>Description</u>	<u>Part No.</u>	<u>Mark No.</u>	<u>Description</u>	<u>Part No.</u>
1	Drive Mechanism Unit	CXE7000	23	Bracket	CND6986
2	Screw	AMZ26P030FTC	24	Sheet	CNN5066
3	Washer	CBF1039	25	Screw	BSZ26P060FTC
4	Washer	CBF1064			
5	Spring	EBL1034	26	Screw	BPZ26P080FTC
			27	FFC	CDE9766
6	Frame	ENC2001	28	Holder	See Contrast table (2)
7	Gear	ENV1630	29	BT Module	CWX4774
8	Gear	ENV1631	30	Shield Case	YNC5123
9	Gear	ENV1632			
10	Gear	ENV1635	⚠ 31	Fuse (10 A)	YEK5001
			32	.....	
11	Guide	ENV3001	33	Service Unit (Mother I/F)	See Contrast table (2)
* 12	Chassis Unit	EXA4027	34	BE Core Unit (U2101)	See Contrast table (2)
13	Motor Unit	EXA4003	35	Holder	CND7288
14	PCB Unit (Service)	EXX2001			
* 15	Cord (Green)	CDC1056	36	Shield Case	See Contrast table (2)
			37	Antenna Cable Assy	See Contrast table (2)
* 16	Cord (White)	CDC1057	38	Sheet	See Contrast table (2)
17	Screw	IMS26P060FTC	39	Holder	See Contrast table (2)
18	Screw	JFZ20P025FTC	40	FFC	See Contrast table (2)
19	Screw	EBA2002			
20	Screw	BSZ26P060FTC	41	Screw	See Contrast table (2)
			42	TV Tuner	See Contrast table (2)
21	FFC	CDD1034			
22	Bracket	CND6985			

**(2) CONTRAST TABLE**

AVH-X5800BHS/XNUC, AVH-X5800DAB/XNEU5 and AVH-X5850TV/XNRD are constructed the same except for the following:

Mark	No.	Description	AVH-X5800BHS/XNUC	AVH-X5800DAB/XNEU5	AVH-X5850TV/XNRD
	28	Holder	CND7541	CND7530	CND7205
	33	Service Unit (Mother I/F)	CXX8345	CXX8346	CXX8347
	34	BE Core Unit (U2101)	CWE2518	CWE2534 (WWR Tuner Unit)	Not used
	36	Shield Case	CND7210	Not used	Not used
	37	Antenna Cable Assy	Not used	CXE7975	Not used
	38	Sheet	Not used	CNN5064	Not used
	39	Holder	Not used	Not used	CND7213
	40	FFC	Not used	Not used	CDD1070
	41	Screw	Not used	Not used	BSZ26P060FTC
	42	TV Tuner	Not used	Not used	CWE2519

# 9.5 DVD MECHANISM MODULE(1)

A

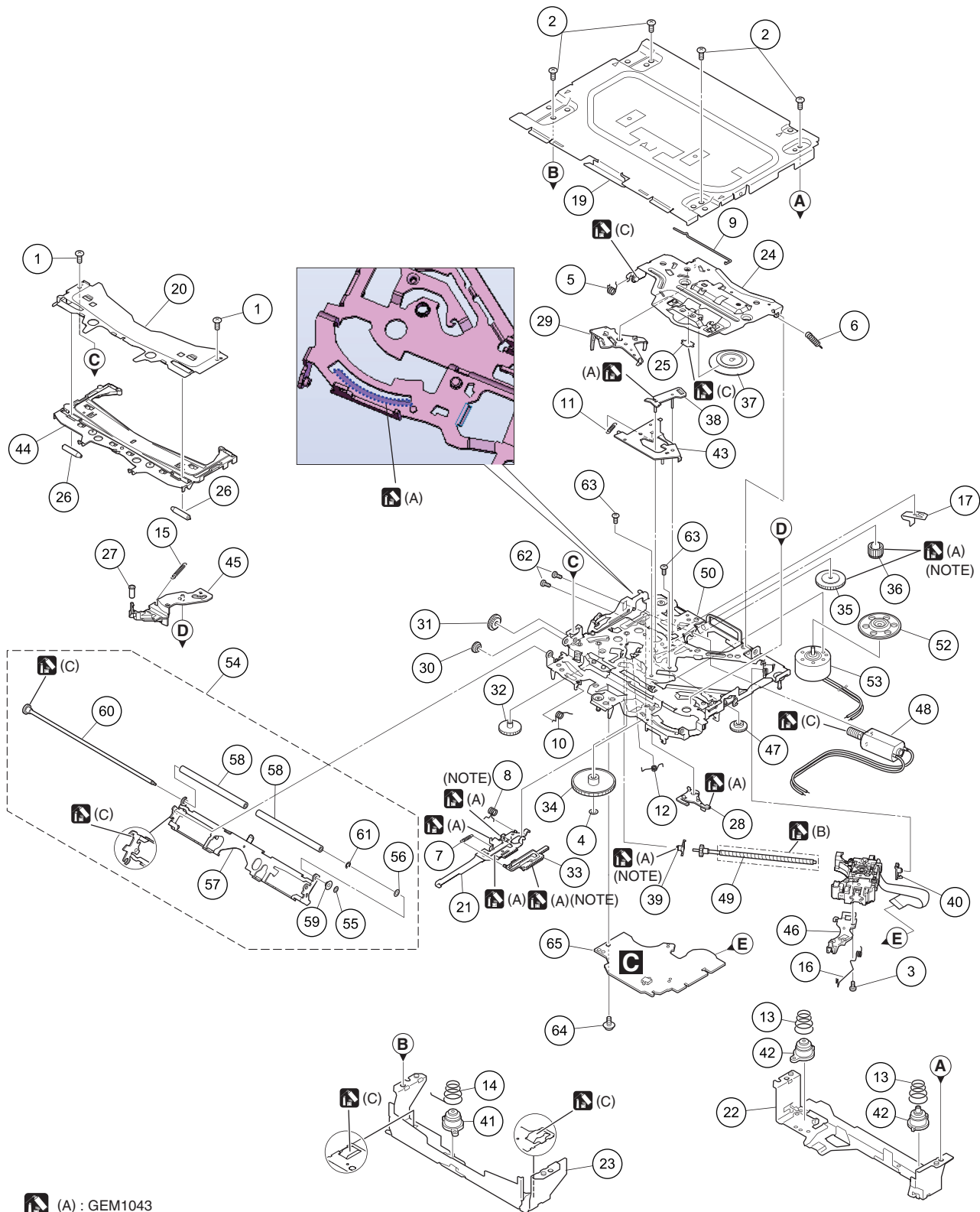
B

C

D

E

F



- (A) : GEM1043
- (B) : GEM1045
- (C) : GEM1024

(NOTE) Apply grease to the whole part.

## DVD MECHANISM MODULE(1) SECTION PARTS LIST

<u>Mark No.</u>	<u>Description</u>	<u>Part No.</u>	<u>Mark No.</u>	<u>Description</u>	<u>Part No.</u>
1	Screw	BSZ20P040FTC	50	Chassis Unit	CXE8407
2	Screw	BSZ26P060FTC			
3	Screw (M2 x 4)	CBA1835	51	*****	
4	Washer	CBF1038	*	52 Support Wheel	CNW2052
5	Spring	CBH2855	*	53 Spindle Motor	EXM2002
				54 Arm Assy	CXE7890
6	Spring	CBH2860		55 Washer	CBF1037
7	Spring	CBH3010			
8	Spring	CBH3011	56	Washer	CBF1038
9	Spring	CBH3014	57	Arm	CND6779
10	Spring	CBH3015	58	Roller	CNW2500
			59	Collar	CNW2444
11	Spring	CBH3016	60	Gear Unit	CXE6225
12	Spring	CBH3017			
13	Spring	CBH3019	61	Washer	YE15FTC
14	Spring	CBH3086	62	Screw	JFZ20P025FTC
15	Spring	CBH3095	63	Screw	JGZ17P020FTC
			64	Screw (M2 x 5)	EBA1028
16	Spring	CBH3096	65	DVD Core Unit	CWX4609
17	Plate Spring	CBL1824			
18	*****				
19	Case	CNB3928			
20	Bracket	CND4553			
21	Lever	CND7225			
22	Bracket	CND5710			
23	Bracket	CND6127			
24	Arm	CND7224			
25	Sheet	CNN3678			
26	Roller	CNW1172			
27	Roller	CNW1175			
28	Arm	CNW1177			
29	Arm	CNW1178			
30	Gear	CNW1180			
31	Gear	CNW1181			
32	Gear	CNW1183			
33	Rack	CNW1184			
34	Gear	CNW1185			
35	Gear	CNW1186			
36	Gear	CNW1187			
37	Clamper	CNW1190			
38	Arm	CNW1192			
39	Holder	CNW1193			
40	Holder	CNW1194			
41	Damper	CNW2439			
42	Damper	CNW2440			
43	Arm	CNW1726			
44	Guide	CNW3489			
45	Arm	CNW2241			
46	Rack	CNW2265			
47	Gear	CNW2287			
48	Motor Unit	CXC4026			
49	Screw Unit	CXC8894			

# 12. ELECTRICAL PARTS LIST

**NOTE:**

- Parts whose parts numbers are omitted are subject to being not supplied.
- The part numbers shown below indicate chip components.

Chip Resistor

RS1/○S○○○○J,RS1/○○S○○○○J

Chip Capacitor (except for CQS.....)

CKS....., CCS....., CSZS.....

- The  $\triangle$  mark found on some component parts indicates the importance of the safety factor of the part. Therefore, when replacing, be sure to use parts of identical designation.
- Meaning of the figures and others in the parentheses in the parts list.

Example) IC 301 is on the point (face A, 91 of x-axis, and 111 of y-axis) of the corresponding PC board.

IC 301 (A, 91, 111) IC NJM2068V

- The expression of the unit in this manual is shown by  $\mu$  instead of  $\mu$ . Please do not make a mistake.

<u>Circuit Symbol and No.</u>	<u>Part No.</u>
A:AVH-X5800BHS/XNUC	
B:AVH-X5800DAB/XNEU5	
C:AVH-X5850TV/XNRD	
Unit Number : CXX8345(A)	
Unit Number : CXX8346(B)	
Unit Number : CXX8347(C)	
Unit Name : Service Unit(Mother I/F)	
Unit Number : CXX8373(A,C)	
Unit Number : CXX8374(B)	
Unit Name : Service Unit(Monitor)	
Unit Number : CWX4609	
Unit Name : DVD Core Unit	
Unit Number : CXX8413	
Unit Name : Service Unit(Keyboard)	
Unit Number : EXX2001	
Unit Name : PCB Unit(Service)	

**Service Unit(Mother I/F)**

**Consists of**

**Mother PCB**

**Interface PCB**

<u>Circuit Symbol and No.</u>	<u>Part No.</u>
<b>AD</b>	
Unit Number : CXX8345(A)	
Unit Number : CXX8346(B)	
Unit Number : CXX8347(C)	
Unit Name : Service Unit(Mother I/F)	

**MISCELLANEOUS**

IC 101	(B,51,104) IC	NJW4181U3-33B
IC 111	(A,100,98) IC	NJW4184DL3-08A
IC 141	(A,125,63) IC	MM3479A33P
IC 160	(B,169,78) IC	RP132J001B-AE
IC 231	(B,121,71) IC	MM1856A50N
IC 241	(B,75,25) IC	MM3479A18P
IC 271	(B,147,31) IC	MM1856A58N
IC 301	(B,160,44) IC	AN33012UA
IC 351	(B,156,67) IC	KBD9876EFJ
*IC401	(A,50,40) IC	MN103LF15RXW
IC 601	(A,92,48) IC	MN1AA9010Z
IC 603	(B,152,93) IC	MC74VHC1GT08DFG
IC 851	(B,105,24) IC	MD56V82160A6TALA3L
IC 871	(B,79,55) Flash Memory IC(A)	W25Q64FVSSIG
IC 871	(B,79,55) Flash Memory IC(B,C)	W25Q16DVSSIG
IC 881	(B,79,43) Flash ROM Unit(A)	CWJ2177
IC 881	(B,79,43) Flash ROM Unit(B,C)	CWJ2175
IC 891	(A,125,57) IC	337S3959
IC 901	(B,111,57) IC	AK8814VQ
IC 931	(B,99,75) IC	NJM2283V
IC 1101	(B,138,52) IC	AK4223VQ
IC 1201	(B,138,82) IC	PM9015A
IC 1271	(B,114,87) IC	NJW1240V
IC 1301	(A,89,124) IC	PA2032A
IC 2001	(B,29,32) IC(A,B)	MM3479A33P
IC 2002	(B,29,54) IC(A,B)	MM3479A12P
IC 2003	(B,34,64) IC(B)	MM3479A33P
IC 2004	(A,38,62) IC	MM3479A33P
IC 2201	(A,41,76) IC(A)	TEF6688HN
IC 2201	(A,41,76) IC(B,C)	TEF6686HN
IC 2401	(B,161,89) IC	AN33014UA

	1	2	3	4
	<u>Circuit Symbol and No.</u>	<u>Part No.</u>	<u>Circuit Symbol and No.</u>	<u>Part No.</u>
	IC 2501 (A,144,28) IC	TC7SZ32FUS1	D 1302 (A,93,106) Diode	DZ2J082M0
	IC 3191 (B,156,103) IC	STCC2540IQ	D 2003 (A,33,101) Diode(B)	DZ2J160M0
	IC 3221 (B,76,73) IC	TC75S57FU	D 2201 (B,22,104) Diode	EZAEG2A50AX
A	IC 3231 (B,84,75) IC	BH7673G	D 2202 (A,37,94) Diode	EZAEG2A50AX
	IC 3232 (B,90,81) IC	BH7673G	D 2203 (A,36,90) Diode	EZAEG2A50AX
	IC 3233 (B,112,72) IC	BH7673G	D 2401 (B,156,87) Diode	RB060M-30
	IC 3234 (B,99,84) IC	BH7673G	D 2402 (A,155,87) Diode	D1F60-5053
	IC 4001 (B,26,33) IC(A)	TC7SH126FU	D 3101 (A,23,117) Diode	DZ2S180C
	IC 4002 (B,22,36) IC(A)	MC74VHC1GT08DFG	D 3102 (A,29,116) Diode	DZ2S180C
	Q 11 (B,73,98) Transistor	HN1C01FU	D 3103 (A,36,116) Diode	DZ2S180C
	Q 21 (B,60,130) Transistor	LTC014EEB	D 3104 (A,33,116) Diode	DZ2S180C
	Q 31 (B,65,127) Transistor	LTC014EEB	D 3105 (A,34,111) Diode	DZ2J039M0
	Q 51 (B,41,127) Transistor	LSAR523UB	D 3152 (B,143,103) Diode	DZ2S180C
	Q 61 (B,52,130) Transistor	LSAR523UB	D 3153 (A,151,109) Diode	DZ2S180C
B	Q 211 (B,127,34) Transistor	2SCR573DG	D 3154 (A,159,108) Diode	DZ2S180C
	Q 212 (B,118,35) Transistor	LTC014EEB	D 3191 (A,163,104) Diode	EZAEG2A50AX
	Q 301 (A,168,45) Transistor	ATP112-H	D 3192 (A,163,102) Diode	EZAEG2A50AX
	Q 302 (A,158,43) Transistor	ATP112-H	L 1 (A,61,105) Choke Coil 600 uH	CTH1221
	Q 401 (A,55,58) Transistor	LSCR523UB	L 2 (A,159,75) Choke Coil 10 uH	CTH1486
	Q 402 (A,31,38) Transistor(C)	RN4982	L 301 (A,167,32) Choke Coil	CTH1381
	Q 403 (B,60,56) Transistor(C)	RN4982	L 302 (A,157,31) Coil	CTH1519
	Q 404 (B,39,38) Transistor(C)	RN4982	L 351 (A,154,61) Coil	CTH1524
	Q 405 (B,65,54) Transistor(C)	RN4982	L 402 (A,129,40) Chip Beads	VTL1126
	Q 821 (B,80,69) Transistor	LSCR523UB	L 403 (A,130,40) Chip Beads	VTL1126
C	Q 892 (A,125,53) Transistor	LSAR523UB	L 404 (A,132,40) Chip Beads	VTL1126
	Q 931 (B,94,69) Transistor	LSCR523UB	L 700 (A,77,33) Chip Beads	VTL1126
	Q 932 (B,89,72) Transistor	LSCR523UB	L 701 (A,80,31) Chip Beads	VTL1126
	Q 933 (B,86,71) Transistor	LSCR523UB	L 702 (A,80,29) Chip Beads	VTL1126
	Q 1271 (B,126,88) Transistor	LTC044EEB	L 703 (A,81,31) Chip Beads	VTL1126
	Q 1301 (A,97,111) Chip Transistor	RN1903	L 704 (A,82,29) Chip Beads	VTL1126
	Q 1303 (A,90,109) Transistor	LSCR523UB	L 705 (A,82,31) Chip Beads	VTL1126
	Q 2001 (A,28,101) Transistor(B)	2SD2153	L 706 (A,83,29) Chip Beads	VTL1126
	Q 2002 (B,29,97) Transistor(B)	2SD2153	L 707 (A,83,31) Chip Beads	VTL1126
	Q 2003 (B,29,93) Transistor(B)	LTC014EEB	L 708 (A,84,29) Chip Beads	VTL1126
	Q 2201 (A,26,71) Transistor(A)	MMBT2369L	L 709 (A,85,31) Chip Beads	VTL1126
D	Q 2202 (A,26,67) Transistor(A)	MMBT2369L	L 710 (A,85,29) Chip Beads	VTL1126
	Q 2203 (A,34,71) Transistor(A)	MMBT2369L	L 711 (A,86,31) Chip Beads	VTL1126
	Q 2204 (A,33,68) Transistor(A)	MMBT2369L	L 712 (A,86,29) Chip Beads	VTL1126
	Q 3051 (B,79,87) Transistor	HN1B04FU	L 713 (A,87,31) Chip Beads	VTL1126
	Q 3101 (A,27,111) Chip Transistor	2SD2114K	L 714 (A,88,29) Chip Beads	VTL1126
	Q 3102 (A,31,110) Transistor	RN4984	L 715 (A,88,31) Chip Beads	VTL1126
	Q 3103 (A,24,110) Transistor	RN4984	L 716 (A,89,29) Chip Beads	VTL1126
	D 1 (B,68,107) Diode	D1F60-5053	L 717 (A,89,31) Chip Beads	VTL1126
	D 2 (B,68,104) Diode	D1F60-5053	L 718 (A,90,29) Chip Beads	VTL1126
	D 3 (A,157,81) Diode	RB080L-30	L 719 (A,91,31) Chip Beads	VTL1126
E	D 11 (B,74,101) Diode	DZ2J062M0	L 720 (A,92,30) Chip Beads	VTL1126
	D 12 (B,69,97) Diode	DZ2J068M0	L 721 (A,94,29) Chip Beads	VTL1126
	D 21 (B,60,127) Diode	DA2J101	L 722 (A,95,29) Chip Beads	VTL1126
	D 32 (B,67,129) Diode	DZ2J056M0	L 723 (A,96,29) Chip Beads	VTL1126
	D 41 (A,75,118) Diode	CRG03	L 724 (A,97,31) Chip Beads	VTL1126
	D 51 (B,43,125) Diode	DA2J101	L 725 (B,93,31) Chip Beads	VTL1126
	D 61 (B,51,127) Diode	DA2J101	L 750 (A,111,36) Inductor	CTF1645
	D 101 (B,67,96) Diode	D1F60-5053	L 851 (B,99,36) Inductor	CTF1786
	D 212 (B,120,33) Diode	DZ2J062M0	L 852 (A,113,36) Inductor	CTF1645
	D 301 (A,163,42) Diode	RB056L-40	L 871 (B,85,52) Inductor	CTF1786
	D 302 (A,159,36) Diode	RB056L-40	L 881 (B,85,44) Inductor	CTF1786
F	D 351 (A,155,66) Diode	RB056L-40	L 882 (B,85,50) Inductor	CTF1740
	D 401 (B,63,52) Diode	DB2J31400	L 901 (B,119,65) Coil	LCYA2R7J2016
	D 403 (B,60,47) Diode	DB2J31400	L 902 (B,109,47) Coil	LCYA2R7J2016
	D 1301 (A,82,110) Diode	DA2J101	L 903 (B,105,66) Chip Beads	VTL1126



	1	2	3	4
	<u>Circuit Symbol and No.</u>	<u>Part No.</u>	<u>Circuit Symbol and No.</u>	<u>Part No.</u>
	R 322 (B,166,42)	RS1/16SS473J	R 471 (A,53,26)	RS1/16SS221J
	R 323 (B,166,41)	RS1/16SS473J	R 472 (A,54,26)	RS1/16SS221J
	R 351 (B,153,61)	RS1/16SS4701D	R 474 (A,56,26)	RS1/16SS221J
A	R 352 (B,153,62)	RS1/16SS4702D	R 475 (A,57,26)	RS1/16SS221J
	R 353 (B,152,64)	RS1/16SS2202D	R 476 (A,58,25)	RS1/16SS221J
	R 354 (B,156,62)	RS1/16SS332J	R 479 (A,59,25)	RS1/16SS104J
	R 359 (A,151,53)	RS1/8SQ0R0J	R 480 (A,67,26) (C)	RS1/16SS104J
	R 360 (B,155,58)	RS1/8SQ331J	R 482 (A,67,27) (C)	RS1/16SS104J
	R 401 (A,64,55)	RS1/16SS472J	R 484 (A,67,28) (C)	RS1/16SS104J
	R 402 (A,62,52)	RS1/16SS102J	R 486 (A,67,30) (C)	RS1/16SS104J
	R 403 (B,62,53)	RS1/16SS103J	R 489 (A,65,31)	RS1/16SS104J
	R 405 (A,60,54)	RS1/16SS471J	R 493 (B,58,35)	RS1/16SS103J
	R 406 (A,59,56)	RS1/16SS473J	R 494 (B,61,35)	RS1/16SS221J
	R 407 (A,59,54)	RS1/16SS471J	R 495 (A,65,36)	RS1/16SS104J
B	R 408 (A,58,56)	RS1/16SS473J	R 496 (B,58,36)	RS1/16SS103J
	R 409 (B,58,39)	RS1/16SS273J	R 497 (B,61,36)	RS1/16SS221J
	R 410 (A,57,54)	RS1/16SS681J	R 499 (B,58,37)	RS1/16SS104J
	R 411 (B,54,51)	RS1/16SS472J	R 500 (B,58,38)	RS1/16SS104J
	R 412 (B,53,51)	RS1/16SS472J	R 501 (A,65,38)	RS1/16SS101J
	R 413 (A,56,54)	RS1/16SS473J	R 502 (A,66,38)	RS1/16SS221J
	R 414 (A,55,60)	RS1/16SS473J	R 503 (A,65,39)	RS1/16SS221J
	R 415 (A,55,53)	RS1/16SS473J	R 504 (A,66,39)	RS1/16SS221J
	R 417 (A,54,54)	RS1/16SS104J	R 505 (B,61,41)	RS1/16SS104J
	R 418 (B,52,51)	RS1/16SS102J	R 506 (B,54,32)	RS1/16SS0R0J
C	R 419 (A,50,53)	RS1/16SS0R0J	R 508 (B,60,49)	RS1/16SS103J
	R 420 (B,44,55)	RS1/16SS102J	R 509 (A,64,42) (B)	RS1/16SS0R0J
	R 421 (A,44,59)	RS1/16SS104J	R 510 (A,62,28)	RS1/16SS473J
	R 422 (A,42,53)	RS1/16SS473J	R 511 (A,65,47)	RS1/16SS471J
	R 423 (A,41,55)	RS1/16SS473J	R 512 (A,66,44)	RS1/16SS472J
	R 424 (A,40,55)	RS1/16SS121J	R 513 (A,64,48)	RS1/16SS471J
	R 425 (A,39,55)	RS1/16SS104J	R 514 (A,66,43)	RS1/16SS472J
	R 426 (A,38,55)	RS1/16SS121J	R 515 (A,65,49)	RS1/16SS221J
	R 430 (A,36,47)	RS1/16SS102J	R 518 (A,38,50)	RS1/16SS0R0J
	R 431 (A,36,49)	RS1/16SS473J	R 519 (B,63,55) (C)	RS1/16SS6800D
	R 433 (A,36,46) (C)	RS1/16SS104J	R 524 (B,64,58) (C)	RS1/16SS8201D
D	R 435 (B,41,44)	RS1/16SS682J	R 525 (B,37,36) (C)	RS1/16SS8201D
	R 437 (B,39,44)	RS1/16SS0R0J	R 526 (B,61,54) (A,B)	RS1/16SS102J
	R 439 (A,36,44) (A,B)	RS1/16SS102J	R 526 (B,61,54) (C)	RS1/16SS1001D
	R 440 (A,35,44) (A,B)	RS1/16SS104J	R 527 (A,127,40)	RS1/16SS0R0J
	R 441 (A,36,43)	RS1/16SS0R0J	R 528 (A,128,40)	RS1/16SS0R0J
	R 442 (A,37,37) (C)	RS1/16SS471J	R 602 (A,113,30)	RS1/10SR0R0J
	R 443 (A,37,36) (C)	RS1/16SS471J	R 603 (A,107,64)	RS1/16SS473J
	R 444 (A,33,36) (C)	RS1/16SS473J	R 605 (A,109,63)	RS1/16SS473J
	R 445 (A,33,40) (B)	RS1/16SS0R0J	R 606 (A,106,66) (A)	RS1/16SS0R0J
	R 447 (A,36,38) (A,B)	RS1/16SS102J	R 607 (A,105,66) (A)	RS1/16SS0R0J
	R 447 (A,36,38) (C)	RS1/16SS1001D	R 608 (A,105,68) (A)	RS1/16SS0R0J
E	R 448 (A,34,38) (C)	RS1/16SS6800D	R 609 (A,104,67) (A)	RS1/16SS0R0J
	R 453 (A,37,34)	RS1/16SS101J	R 610 (A,103,68) (A)	RS1/16SS473J
	R 454 (A,128,43)	RS1/16SS473J	R 611 (A,103,70) (C)	RS1/16SS0R0J
	R 455 (A,127,43)	RS1/16SS473J	R 612 (A,100,68) (C)	RS1/16SS0R0J
	R 456 (A,129,42)	RS1/16SS681J	R 613 (A,100,70) (C)	RS1/16SS473J
	R 457 (A,40,26)	RS1/16SS822J	R 614 (A,99,67) (A)	RS1/16SS0R0J
	R 458 (A,41,27)	RS1/16SS471J	R 615 (A,98,67) (A)	RS1/16SS0R0J
	R 460 (A,45,27)	RS1/16SS473J	R 616 (A,97,67)	RS1/16SS473J
	R 463 (B,44,32)	RS1/16SS104J	R 619 (B,85,62)	RS1/16SS0R0J
	R 464 (B,44,31)	RS1/16SS473J	R 620 (A,91,67)	RS1/16SS1R0J
F	R 465 (A,48,27)	RS1/16SS473J	R 621 (B,84,63)	RS1/16SS1R0J
	R 466 (A,37,42)	RS1/16SS222J	R 622 (B,85,64)	RS1/16SS0R0J
	R 467 (A,52,25)	RS1/16SS104J	R 623 (B,84,64)	RS1/16SS0R0J
	R 468 (B,51,26)	RS1/16SS473J	R 625 (B,82,63)	RS1/16SS473J

5		6		7		8	
<u>Circuit Symbol and No.</u>		<u>Part No.</u>		<u>Circuit Symbol and No.</u>		<u>Part No.</u>	
R 627	(B,79,67)	RS1/16SS473J		R 802	(A,117,47)	RS1/16SS103J	
R 628	(B,77,65)	RS1/16SS0R0J		R 805	(A,113,47)	RS1/16SS473J	
R 629	(A,79,65)	RS1/16SS105J		R 806	(A,114,49)	RS1/16SS473J	
R 630	(A,81,67)	RS1/16SS102J		R 813	(A,110,60)	RS1/16SS472J	A
R 631	(B,73,64)	RS1/16SS102J		R 814	(A,110,61)	RS1/16SS0R0J	
R 632	(A,74,62)	RS1/16SS0R0J		R 815	(A,113,61)	RS1/16SS473J	
R 633	(A,77,63)	RS1/16SS0R0J		R 816	(A,112,61)	RS1/16SS0R0J	
R 636	(B,73,62)	RS1/16SS104J		R 821	(B,82,67)	RS1/16SS103J	
R 637	(B,77,63)	RS1/16SS473J		R 822	(B,78,68)	RS1/16SS0R0J	
R 639	(B,77,61)	RS1/16SS473J		R 823	(B,76,69)	RS1/16SS104J	
R 641	(B,81,61)	RS1/16SS103J		R 824	(B,77,69)	RS1/16SS153J	
R 642	(B,81,60)	RS1/16SS103J		R 825	(B,80,70)	RS1/16SS471J	
R 643	(A,73,56)	RS1/16SS4701D		R 827	(A,113,51)	RS1/16SS0R0J	
R 644	(A,73,57)	RS1/16SS1201D		R 828	(A,111,51)	RS1/16SS0R0J	
R 645	(A,75,57)	RS1/16SS0R0J		R 841	(A,112,84)	RAB4CQ103J	B
R 646	(A,74,54)	RS1/16SS0R0J		R 851	(B,96,18)	RAB4CQ121J	
R 651	(A,73,52)	RS1/16SS0R0J		R 852	(B,96,21)	RAB4CQ121J	
R 653	(B,70,53)	RS1/16SS101J		R 853	(B,106,36)	RAB4CQ181J	
R 654	(B,71,52)	RS1/16SS101J		R 854	(B,103,36)	RAB4CQ181J	
R 685	(A,114,33)	RS1/10SR0R0J		R 855	(B,101,36)	RAB4CQ181J	
R 686	(B,155,94)	RS1/16SS473J		R 856	(B,114,16)	RAB4CQ121J	
R 687	(B,152,96)	RS1/16SS103J		R 857	(B,114,21)	RAB4CQ121J	
R 688	(B,154,96)	RS1/16SS473J		R 858	(B,113,25)	RS1/16SS121J	
R 700	(A,98,69) (A)	RS1/16SS473J		R 859	(B,114,30)	RS1/16SS181J	
R 701	(A,77,30)	RS1/16SS180J		R 860	(B,113,30)	RS1/16SS181J	C
R 703	(A,79,31)	RS1/16SS473J		R 861	(B,98,26)	RS1/16SS101J	
R 704	(A,80,27)	RS1/16SS390J		R 862	(B,115,36)	RAB4CQ181J	
R 705	(A,80,25)	RS1/16SS390J		R 863	(B,111,36)	RAB4CQ181J	
R 706	(A,81,27)	RS1/16SS390J		R 864	(B,112,27)	RS1/16SS0R0J	
R 707	(A,82,25)	RS1/16SS390J		R 872	(B,77,51)	RS1/16SS0R0J	
R 708	(A,82,27)	RS1/16SS390J		R 873	(B,78,51)	RS1/16SS0R0J	
R 709	(A,83,25)	RS1/16SS390J		R 877	(B,84,56)	RS1/16SS101J	
R 710	(A,83,27)	RS1/16SS390J		R 878	(B,84,57)	RS1/16SS101J	
R 711	(A,84,25)	RS1/16SS390J		R 882	(B,85,39)	RS1/16SS101J	
R 712	(A,85,27)	RS1/16SS390J		R 883	(B,81,37)	RS1/16SS0R0J	
R 713	(A,85,25)	RS1/16SS390J		R 884	(B,76,37)	RS1/16SS101J	D
R 714	(A,86,27)	RS1/16SS390J		R 885	(B,75,37)	RS1/16SS101J	
R 715	(A,86,25)	RS1/16SS390J		R 886	(B,83,50)	RS1/16SS271J	
R 716	(A,87,27)	RS1/16SS390J		R 887	(B,85,48)	RS1/16SS101J	
R 717	(A,88,25)	RS1/16SS390J		R 888	(B,76,50)	RS1/16SS101J	
R 718	(A,88,27)	RS1/16SS390J		R 892	(A,129,55)	RS1/16SS473J	
R 719	(A,89,25)	RS1/16SS390J		R 893	(A,125,55)	RS1/16SS183J	
R 720	(A,89,27)	RS1/16SS390J		R 895	(A,128,56)	RS1/16SS222J	
R 721	(A,90,25)	RS1/16SS390J		R 896	(A,122,58)	RS1/16SS222J	
R 726	(B,93,33)	RS1/16SS101J		R 897	(A,115,59)	RS1/16SS220J	
R 727	(B,95,34)	RS1/16SS0R0J		R 898	(A,121,56)	RS1/16SS222J	
R 729	(A,91,27)	RS1/16SS560J		R 902	(B,107,66)	RS1/16SS820J	E
R 730	(A,92,28)	RS1/16SS331J		R 904	(B,115,63)	RS1/16SS103J	
R 732	(A,95,27)	RS1/16SS151J		R 906	(A,116,56)	RS1/16SS561J	
R 733	(A,99,27)	RS1/16SS560J		R 908	(A,112,55)	RS1/16SS561J	
R 734	(A,98,28)	RS1/16SS560J		R 910	(A,116,55)	RS1/16SS561J	
R 735	(A,97,29)	RS1/16SS560J		R 912	(A,112,54)	RS1/16SS561J	
R 736	(A,108,33)	RS1/16SS472J		R 914	(A,116,54)	RS1/16SS561J	
R 739	(A,112,36)	RS1/16SS82R0D		R 916	(A,112,53)	RS1/16SS561J	
R 792	(A,112,38)	RS1/16SS47R0D		R 918	(A,116,53)	RS1/16SS561J	
R 793	(A,108,34)	RS1/16SS472J		R 920	(A,113,52)	RS1/16SS561J	
R 794	(A,110,34)	RS1/16SS472J		R 921	(B,114,51)	RS1/16SS103J	F
R 795	(B,105,40)	RS1/16SS472J		R 922	(B,114,49)	RS1/16SS271J	
R 797	(B,106,42)	RS1/16SS472J		R 923	(B,113,51)	RS1/16SS271J	
R 798	(B,106,43)	RS1/16SS472J		R 924	(B,111,49)	RS1/16SS181J	

	1	2	3	4
	<u>Circuit Symbol and No.</u>	<u>Part No.</u>	<u>Circuit Symbol and No.</u>	<u>Part No.</u>
	R 925 (B,112,51)	RS1/16SS103J	R 1309 (A,88,109)	RS1/16SS104J
	R 926 (B,113,49)	RS1/16SS103J	R 1310 (A,87,110)	RS1/16SS473J
	R 930 (B,107,50)	RS1/10SR0R0J	R 1314 (A,81,115)	RS1/16SS473J
A	R 931 (B,105,56)	RS1/16SS6801D	R 1315 (A,79,114)	RS1/16SS102J
	R 932 (B,112,63)	RS1/16SS104J	R 1316 (A,77,113)	RS1/16SS0R0J
	R 933 (B,113,63)	RS1/16SS104J	R 2004 (B,33,39) (A,B)	RS1/16SS102J
	R 934 (B,105,48)	RS1/16SS0R0J	R 2007 (B,34,59) (B)	RS1/16SS102J
	R 935 (B,93,81)	RS1/16SS0R0J	R 2008 (B,33,58) (A,B)	RS1/16SS102J
	R 938 (B,94,71)	RS1/16SS0R0J	R 2009 (B,35,44)	RS1/16SS102J
	R 941 (B,93,68)	RS1/16SS471J	R 2015 (A,70,87) (A)	RS1/4SA0R0J
	R 944 (B,90,70)	RS1/16SS471J	R 2016 (A,33,102) (B)	RS1/16SS911J
	R 947 (B,83,71)	RS1/16SS471J	R 2017 (B,27,100) (B)	RS1/16SS103J
	R 948 (B,91,75)	RS1/16SS104J	R 2018 (B,33,92) (B)	RS1/4SA471J
	R 949 (B,95,79)	RS1/16SS104J	R 2019 (B,31,92) (B)	RS1/4SA471J
B	R 950 (B,91,68)	RS1/16SS0R0J	R 2020 (B,26,94) (B)	RS1/16SS1003D
	R 951 (B,87,70)	RS1/16SS0R0J	R 2021 (B,26,92) (B)	RS1/16SS1802D
	R 952 (B,85,69)	RS1/16SS0R0J	R 2110 (A,23,18) (A,B)	RS1/16SS0R0J
	R 953 (B,100,81)	RS1/16SS104J	R 2111 (A,22,18) (A,B)	RS1/16SS0R0J
	R 960 (B,118,67)	RS1/16SS0R0J	R 2112 (A,19,18) (A,B)	RS1/16SS0R0J
	R 970 (B,115,47)	RS1/16SS222J	R 2128 (A,29,48) (A)	RS1/16SS103J
	R 971 (B,114,47)	RS1/16SS222J	R 2130 (B,25,74) (B)	RS1/16SS221J
	R 1111 (B,144,43) (C)	RS1/16SS75R0D	R 2131 (B,24,74) (B)	RS1/16SS221J
	R 1113 (B,140,41)	RS1/16SS75R0D	R 2132 (B,23,74) (B)	RS1/16SS221J
	R 1114 (B,138,43)	RS1/16SS104J	R 2133 (B,22,74) (B)	RS1/16SS0R0J
C	R 1115 (B,136,41)	RS1/16SS75R0D	R 2134 (A,24,55) (A)	RS1/16SS221J
	R 1116 (B,134,43)	RS1/16SS2200D	R 2135 (A,24,54) (A)	RS1/16SS221J
	R 1117 (B,127,48)	RS1/16SS0R0J	R 2136 (A,24,52) (A)	RS1/16SS221J
	R 1118 (B,132,48)	RS1/16SS75R0D	R 2137 (A,23,51) (A)	RS1/16SS221J
	R 1119 (B,137,43)	RS1/16SS101J	R 2138 (A,27,43) (A)	RS1/16SS0R0J
	R 1120 (B,136,43)	RS1/16SS101J	R 2139 (A,27,45) (A)	RS1/16SS0R0J
	R 1122 (B,141,43)	RS1/16SS101J	R 2140 (A,27,46) (A)	RS1/16SS0R0J
	R 1123 (B,140,43)	RS1/16SS101J	R 2141 (A,27,47) (A)	RS1/16SS0R0J
	R 1124 (B,143,43)	RS1/16SS101J	R 2142 (A,23,42) (A)	RS1/16SS0R0J
	R 1125 (B,142,43)	RS1/16SS101J	R 2143 (A,24,41) (A)	RS1/16SS0R0J
	R 1131 (B,147,60)	RS1/16SS101J	R 2144 (A,23,40) (A)	RS1/16SS0R0J
D	R 1132 (B,145,60)	RS1/16SS101J	R 2145 (A,23,38) (A)	RS1/16SS0R0J
	R 1133 (B,144,60)	RS1/16SS101J	R 2204 (A,46,75)	RS1/16SS103J
	R 1134 (B,135,63)	RS1/16SS101J	R 2206 (A,45,74)	RS1/16SS103J
	R 1135 (B,134,63)	RS1/16SS101J	R 2207 (A,45,70)	RS1/16SS472J
	R 1136 (B,133,63)	RS1/16SS101J	R 2208 (A,44,69)	RS1/16SS472J
	R 1142 (B,135,42)	RS1/10SR0R0J	R 2209 (A,44,73)	RS1/16SS101J
	R 1143 (B,132,47)	RS1/16SS470J	R 2210 (A,43,72)	RS1/16SS101J
	R 1146 (B,146,48) (C)	RS1/16SS0R0J	R 2212 (A,31,85)	RS1/16SS391J
	R 1147 (B,144,44) (C)	RS1/16SS0R0J	R 2213 (B,23,104)	RS1/16SS105J
	R 1148 (B,142,47) (A,B)	RS1/16SS0R0J	R 2214 (A,30,92)	RS1/16SS105J
	R 1149 (B,144,50) (A,B)	RS1/16SS0R0J	R 2215 (A,39,70) (A,B)	RS1/16SS0R0J
E	R 1214 (B,136,99)	RS1/16SS0R0J	R 2216 (A,39,72) (A,B)	RS1/16SS221J
	R 1228 (B,141,72)	RS1/16SS0R0J	R 2217 (A,38,72) (A,B)	RS1/16SS0R0J
	R 1232 (B,135,98)	RS1/16SS0R0J	R 2218 (A,37,74) (A,B)	RS1/16SS0R0J
	R 1236 (A,128,87)	RS1/10SR0R0J	R 2220 (A,27,73) (A)	RS1/16SS182J
	R 1271 (B,125,86)	RS1/16SS103J	R 2221 (A,29,71) (A)	RS1/16SS332J
	R 1272 (B,120,82)	RS1/16SS684J	R 2222 (A,26,64) (A)	RS1/16SS121J
	R 1286 (B,120,84)	RS1/16SS100J	R 2223 (A,29,69) (A)	RS1/16SS102J
	R 1287 (B,120,87)	RS1/16SS102J	R 2224 (A,34,76) (A)	RS1/16SS0R0J
	R 1301 (A,97,113)	RS1/16SS683J	R 2225 (A,34,74) (A)	RS1/16SS0R0J
	R 1302 (A,99,113)	RS1/16SS683J	R 2226 (A,36,70) (A)	RS1/16SS182J
F	R 1303 (A,99,115)	RS1/16SS152J	R 2227 (A,31,70) (A)	RS1/16SS332J
	R 1304 (A,100,116)	RS1/16SS101J	R 2228 (A,36,67) (A)	RS1/16SS121J
	R 1306 (A,75,114)	RS1/16SS103J	R 2229 (A,30,69) (A)	RS1/16SS102J
	R 1308 (A,93,104)	RS1/16SS103J	R 2230 (A,31,77) (A)	RS1/16SS0R0J

5		6		7		8	
<u>Circuit Symbol and No.</u>		<u>Part No.</u>		<u>Circuit Symbol and No.</u>		<u>Part No.</u>	
R 2231	(A,31,74) (A)	RS1/16SS0R0J	RS1/16SS0R0J	R 3162	(A,145,106)	RS1/16SS223J	
R 2232	(A,29,76) (A)	RS1/16SS0R0J	RS1/16SS0R0J	R 3164	(A,143,106)	RS1/16SS223J	
R 2233	(A,29,75) (A)	RS1/16SS0R0J	RS1/16SS0R0J	R 3168	(A,136,106)	RS1/16SS223J	
R 2234	(A,29,67) (A)	RS1/16SS0R0J	RS1/16SS0R0J	R 3171	(A,134,106)	RS1/16SS223J	A
R 2235	(A,30,67) (A)	RS1/16SS0R0J	RS1/16SS0R0J	R 3174	(A,126,106)	RS1/16SS223J	
R 2236	(A,30,72) (A)	RS1/16SS0R0J	RS1/16SS0R0J	R 3177	(A,125,106)	RS1/16SS223J	
R 2237	(A,36,72) (A)	RS1/16SS0R0J	RS1/16SS0R0J	R 3181	(B,103,111)	RS1/10SR0R0J	
R 2242	(A,48,77)	RS1/16SS0R0J	RS1/16SS0R0J	R 3193	(B,155,107)	RS1/16SS103J	
R 2243	(A,41,81)	RS1/16SS0R0J	RS1/16SS0R0J	R 3194	(B,156,100)	RS1/16SS2402D	
R 2244	(A,40,81)	RS1/16SS0R0J	RS1/16SS0R0J	R 3195	(B,153,105)	RS1/16SS102J	
R 2245	(A,30,71) (A)	RS1/16SS0R0J	RS1/16SS0R0J	R 3196	(B,159,106)	RS1/16SS103J	
R 2246	(A,82,67)	RS1/10SR0R0J	RS1/10SR0R0J	R 3197	(B,156,106)	RS1/16SS103J	
R 2247	(B,82,9)	RS1/10SR0R0J	RS1/10SR0R0J	R 3204	(A,64,84) (C)	RS1/16SS101J	
R 2401	(B,166,94)	RS1/16SS752J	RS1/16SS752J	R 3210	(A,61,67) (C)	RS1/16SS0R0J	
R 2402	(B,159,99)	RS1/16SS102J	RS1/16SS102J	R 3211	(A,62,67) (C)	RS1/16SS0R0J	B
R 2403	(B,160,99)	RS1/16SS102J	RS1/16SS102J	R 3212	(A,64,67) (C)	RS1/16SS0R0J	
R 2404	(B,157,99)	RS1/16SS102J	RS1/16SS102J	R 3213	(A,105,71) (C)	RS1/16SS0R0J	
R 2405	(B,164,83)	RS1/16SS224J	RS1/16SS224J	R 3216	(A,63,64) (C)	RS1/16SS473J	
R 2406	(B,161,83)	RS1/16SS1202D	RS1/16SS1202D	R 3217	(A,65,65) (C)	RS1/16SS473J	
R 2407	(B,163,96)	RS1/16SS152J	RS1/16SS152J	R 3221	(B,74,76)	RS1/16SS0R0J	
R 2408	(B,162,96)	RS1/16SS3302D	RS1/16SS3302D	R 3222	(B,80,74)	RS1/16SS271J	
R 2409	(B,166,95)	RS1/16SS8201D	RS1/16SS8201D	R 3223	(B,79,73)	RS1/16SS684J	
R 2410	(B,158,99)	RS1/16SS102J	RS1/16SS102J	R 3224	(B,76,76)	RS1/16SS1802D	
R 2413	(B,168,89)	RS1/16SS394J	RS1/16SS394J	R 3225	(B,79,75)	RS1/16SS1302D	
R 2414	(B,167,89)	RS1/16SS204J	RS1/16SS204J	R 3226	(B,73,73)	RS1/16SS682J	C
R 2416	(B,161,84)	RS1/16SS0R0J	RS1/16SS0R0J	R 3227	(B,73,74)	RS1/16SS103J	
R 2420	(B,168,88)	RS1/16SS104J	RS1/16SS104J	R 3229	(A,73,49)	RS1/16SS0R0J	
R 2421	(A,171,87) 0.039 ohm	CCN1325	CCN1325	R 3231	(B,99,82)	RS1/16SS101J	
R 2505	(A,158,16)	RS1/16SS471J	RS1/16SS471J	R 3232	(B,108,69)	RS1/16SS101J	
R 2506	(A,157,15)	RS1/16SS221J	RS1/16SS221J	R 3233	(B,92,78)	RS1/16SS101J	
R 2507	(A,156,15)	RS1/16SS221J	RS1/16SS221J	R 4008	(A,94,28)	RAB4CQ750J	
R 2508	(A,155,18)	RS1/16SS221J	RS1/16SS221J	R 4009	(B,128,39)	RS1/16SS223J	
R 2509	(A,154,18)	RS1/16SS221J	RS1/16SS221J	R 4010	(B,127,38)	RS1/16SS223J	
R 2510	(A,153,15)	RS1/16SS221J	RS1/16SS221J	R 4011	(B,124,39)	RS1/16SS562J	
R 2511	(A,145,33)	RS1/10SR121J	RS1/10SR121J	R 4012	(B,153,21)	RS1/16SS102J	
R 2516	(B,148,18)	RS1/10SR0R0J	RS1/10SR0R0J	R 4013	(B,148,21)	RS1/16SS102J	D
R 2901	(A,64,18)	RS1/16SS102J	RS1/16SS102J	R 4014	(B,146,21)	RS1/16SS471J	
R 2906	(A,70,18)	RS1/16SS101J	RS1/16SS101J	R 4015	(B,140,21)	RS1/16SS471J	
R 2908	(B,48,14)	RS1/16SS102J	RS1/16SS102J	R 4019	(B,125,41)	RS1/16SS272J	
R 2912	(A,56,18)	RS1/16SS271J	RS1/16SS271J	R 4020	(B,123,41)	RS1/16SS272J	
R 2913	(A,56,19)	RS1/16SS271J	RS1/16SS271J	R 4033	(B,46,29) (A)	RS1/16SS471J	
R 2915	(A,56,20)	RS1/16SS271J	RS1/16SS271J	R 4034	(B,43,29) (A)	RS1/16SS223J	
R 2917	(A,50,19)	RS1/16SS0R0J	RS1/16SS0R0J	R 4035	(B,44,29) (A)	RS1/16SS223J	
R 2918	(A,47,19)	RS1/16SS222J	RS1/16SS222J	R 4036	(B,42,30) (A)	RS1/16SS181J	
R 2919	(A,49,21)	RS1/16SS0R0J	RS1/16SS0R0J	R 4037	(B,42,28) (A)	RS1/16SS181J	
R 2920	(A,45,19)	RS1/16SS102J	RS1/16SS102J	R 4038	(B,6,31) (A)	RS1/10SR822J	
R 2921	(A,44,19)	RS1/16SS102J	RS1/16SS102J	R 4039	(B,19,33) (A)	RS1/10SR471J	E
R 3058	(B,81,90)	RS1/16SS562J	RS1/16SS562J	R 4045	(B,7,29) (A)	RS1/16SS104J	
R 3059	(B,79,90)	RS1/16SS332J	RS1/16SS332J	R 4048	(B,156,46)	RS1/16SS75R0D	
R 3060	(B,79,85)	RS1/16SS103J	RS1/16SS103J	R 4064	(B,17,40) (A)	RS1/16SS471J	
R 3061	(B,77,85)	RS1/16SS103J	RS1/16SS103J	R 4065	(B,142,27)	RS1/16SS103J	
R 3062	(B,81,88)	RS1/10SR222J	RS1/10SR222J				
R 3118	(A,31,114)	RS1/16SS223J	RS1/16SS223J	<b>CAPACITORS</b>			
R 3119	(A,32,113)	RS1/16SS223J	RS1/16SS223J	C 1	(B,67,127)	CKSRYB104K50	
R 3126	(A,31,113)	RS1/16SS103J	RS1/16SS103J	C 3	(A,165,80) 10 uF(B)	CCG1236	
R 3127	(A,33,109)	RS1/16SS122J	RS1/16SS122J	C 4	(A,164,64) 4 700 uF/16 V	CCH1328	
R 3128	(A,29,111)	RS1/16SS152J	RS1/16SS152J	C 5	(A,167,75) 10 uF	CCG1236	F
R 3129	(A,24,113)	RS1/16SS0R0J	RS1/16SS0R0J	C 6	(A,165,73)	CKSSYB102K50	
R 3152	(A,149,109)	RS1/16SS223J	RS1/16SS223J	C 7	(B,50,123)	CCSSCH102J50	
R 3153	(A,148,108)	RS1/16SS223J	RS1/16SS223J				

	1	2	3	4
	<u>Circuit Symbol and No.</u>	<u>Part No.</u>	<u>Circuit Symbol and No.</u>	<u>Part No.</u>
	C 8 (B,51,111)	CCSSCH102J50	C 327 (B,159,36)	CKSSYB104K10
	C 9 (B,48,123)	CCSSCH102J50	C 328 (B,159,37)	CKSSYB102K50
	C 10 (B,50,111)	CCSSCH102J50	C 330 (B,162,49)	CKSRYB473K50
A	C 11 (B,54,109)	CKSSYB102K50	C 331 (B,160,49)	CKSSYB102K50
	C 12 (B,45,123)	CCSSCH102J50	C 334 (B,160,51) 10 uF	CCG1236
	C 13 (B,49,111)	CCSSCH102J50	C 351 (A,160,54)	CEVW470M16
	C 14 (B,43,123)	CCSSCH102J50	C 352 (A,154,54)	CKSSYB103K16
	C 15 (B,48,111)	CCSSCH102J50	C 353 (A,154,56) 10 uF	CCG1192
	C 16 (B,52,111)	CKSSYB102K50	C 356 (B,155,62)	CKSSYB682K25
	C 17 (B,53,123)	CKSSYB102K50	C 357 (B,159,63)	CKSSYB103K16
	C 18 (B,60,125)	CKSSYB102K50	C 358 (B,161,72) 10 uF	CCG1236
	C 19 (B,55,123)	CKSSYB102K50	C 359 (B,157,73)	CKSRYB103K50
	C 21 (B,62,129)	CKSRYB105K10	C 401 (A,53,56)	CCSSCH100D50
	C 23 (B,67,124)	CKSSYB102K50	C 402 (A,48,53)	CCSSCH120J50
B	C 24 (B,69,109)	CKSSYB102K50	C 403 (A,46,56)	CKSRYB105K10
	C 41 (A,72,122)	CKSSYB104K16	C 404 (A,46,54)	CKSSYB104K10
	C 101 (A,61,93)	CEHAT331M16	C 405 (A,43,55)	CKSRYB105K10
	C 102 (B,50,107)	CKSRYB104K50	C 406 (A,44,54)	CKSSYB104K10
	C 103 (B,48,104)	CKSSYB104K10	C 407 (A,45,53)	CKSSYB104K10
	C 104 (A,70,94)	CEVW470M16	C 408 (A,36,48)	CKSSYB104K10
	C 111 (A,94,93) 1 uF	CCG1325	C 409 (A,38,32)	CKSSYB104K10
	C 112 (A,101,91)	CKSSYB104K16	C 410 (A,36,32)	CKSRYB105K10
	C 114 (A,96,93)	CKSRYB104K50	C 411 (A,129,45)	CKSSYB104K10
	C 115 (A,111,94) 4.7 uF	CCG1222	C 414 (A,51,27)	CKSSYB104K10
C	C 116 (A,113,98)	CCSRCH101J50	C 415 (A,50,26)	CKSRYB105K10
	C 141 (A,122,62)	CKSRYB105K10	C 419 (A,64,53) 0.1 uF	CCG1321
	C 142 (A,124,66)	CKSRYB105K10	C 420 (A,66,53)	CKSSYB103K16
	C 143 (A,126,66)	CKSSYB104K10	C 421 (A,65,53)	CCSSCH102J50
	C 160 (B,161,77) 10 uF	CCG1192	C 422 (A,63,45)	CKSSYB104K10
	C 161 (B,159,78) 10 uF	CCG1192	C 423 (A,64,45)	CKSRYB105K10
	C 211 (B,131,38)	CKSSYB102K50	C 424 (B,59,45)	CKSSYB104K10
	C 212 (B,120,36)	CKSSYB104K10	C 425 (A,63,50)	CKSSYB104K10
	C 213 (B,124,38)	CKSRYB105K16	C 427 (A,63,55)	CKSSYB104K10
	C 214 (A,124,47)	CEVW101M16	C 429 (A,66,46)	CKSSYB104K10
D	C 231 (B,124,72)	CKSRYB105K10	C 430 (A,66,48)	CKSSYB104K10
	C 232 (B,118,71)	CKSRYB105K10	C 431 (A,66,42) (B)	CKSSYB104K10
	C 241 (B,79,25)	CKSRYB105K10	C 432 (A,64,41)	CKSSYB104K10
	C 242 (B,76,21)	CKSRYB105K10	C 433 (B,59,44)	CKSSYB104K10
	C 243 (B,73,27)	CKSSYB104K10	C 436 (A,63,39)	CCSSCH471J50
	C 271 (B,147,28)	CKSRYB105K16	C 601 (A,103,65)	CKSSYB104K10
	C 272 (B,147,34)	CKSRYB105K16	C 602 (A,102,66)	CKSRYB104K16
	C 301 (B,152,42)	CCSSCH471J50	C 603 (A,98,65)	CKSSYB104K10
	C 302 (B,153,45)	CKSSYB103K16	C 604 (A,97,66)	CKSSYB104K10
	C 303 (B,155,44)	CCSSCH8R0D50	C 605 (A,94,65)	CKSSYB104K10
	C 304 (B,166,43)	CCSSCH8R0D50	C 606 (A,92,68)	CKSSYB104K10
	C 305 (B,168,44)	CKSSYB103K16	C 607 (A,91,70)	CKSRYB105K10
E	C 306 (B,168,41)	CCSSCH102J50	C 608 (B,85,60)	CKSSYB104K10
	C 307 (B,165,33)	CKSSYB102K50	C 609 (B,83,61)	CKSRYB105K10
	C 308 (B,165,34)	CKSSYB104K10	C 610 (B,84,66)	CKSSYB104K10
	C 309 (B,164,30) 10 uF/16 V	DCH1263	C 611 (B,83,66)	CKSSYB104K10
	C 310 (B,164,32) 10 uF/16 V	DCH1263	C 612 (B,79,65)	CKSSYB104K10
	C 311 (B,165,27) 47 uF	CCG1229	C 613 (A,81,69)	CCSSCH120J50
	C 316 (B,166,40)	CKSSYB104K10	C 614 (A,75,67)	CCSSCH100D50
	C 319 (B,166,44)	CKSSYB104K16	C 616 (B,73,63)	CKSSYB104K10
	C 320 (B,152,46)	CKSSYB104K16	C 617 (A,75,63)	CKSSYB104K10
	C 321 (B,154,40)	CKSSYB104K10	C 618 (B,80,61)	CKSSYB104K10
F	C 322 (B,153,41)	CKSRYB105K10	C 619 (B,78,59) 1 uF	DCH1246
	C 324 (B,157,30) 47 uF	CCG1229	C 620 (A,76,55) 1 uF	DCH1246
	C 325 (B,158,32) 10 uF	CCG1192	C 621 (A,75,54)	CKSSYB104K10
	C 326 (B,158,34) 10 uF	CCG1192	C 622 (A,76,53)	CKSSYB104K10

5		6	7		8
<u>Circuit Symbol and No.</u>		<u>Part No.</u>	<u>Circuit Symbol and No.</u>		<u>Part No.</u>
C 624	(A,74,51)	CKSSYB104K10	C 852	(B,97,16)	CKSSYB104K10
C 625	(A,76,50)	CKSSYB104K10	C 853	(B,96,24)	CKSSYB104K10
C 626	(A,75,45)	CKSSYB104K10	C 854	(B,98,23)	CKSSYB104K10
C 627	(A,76,45)	CKSSYB104K10	C 855	(B,98,34)	CKSSYB104K10
C 628	(A,76,38)	CKSSYB104K10	C 856	(B,112,23)	CKSSYB104K10
C 629	(A,75,37)	CKSSYB104K10	C 857	(B,112,18)	CKSSYB104K10
C 631	(B,82,34)	CKSRYB104K16	C 858	(B,114,26)	CCSSCH8R0D50
C 632	(B,85,34)	CKSSYB104K10	C 871	(B,84,52)	CKSSYB104K10
C 633	(B,87,33)	CKSRYB104K16	C 882	(B,85,43)	CKSSYB104K10
C 634	(B,90,34)	CKSRYB104K16	C 891	(A,122,52)	CKSSYB104K10
C 635	(A,94,32)	CKSRYB104K16	C 892	(A,123,54)	CKSSYB104K10
C 636	(A,99,30)	CKSSYB104K10	C 893	(A,122,56)	CKSSYB103K16
C 637	(A,99,32)	CKSRYB104K16	C 894	(B,84,60)	CKSSYB102K50
C 638	(A,102,32)	CKSRYB104K16	C 901	(B,110,64)	CCSSCH560J50
C 639	(A,109,36)	CKSRYB104K16	C 902	(B,117,63) 10 uF	CCG1192
C 641	(A,109,39)	CKSRYB104K16	C 903	(B,116,57)	CKSSYB104K10
C 642	(A,110,42)	CKSRYB104K16	C 904	(B,109,52)	CKSSYB103K16
C 643	(A,109,43)	CKSSYB104K10	C 905	(B,105,54)	CKSSYB103K16
C 644	(A,109,45)	CKSRYB104K16	C 906	(B,105,52) 10 uF	CCG1192
C 645	(A,109,48)	CKSRYB104K16	C 907	(B,107,53)	CKSSYB103K16
C 646	(A,110,52)	CKSSYB104K10	C 908	(B,106,47) 10 uF	CCG1192
C 647	(A,109,52)	CKSSYB104K10	C 909	(B,105,57)	CKSSYB103K16
C 648	(A,108,56)	CKSSYB104K10	C 910	(B,112,65)	CKSSYB104K10
C 649	(A,108,61)	CKSSYB104K10	C 912	(B,110,63)	CKSSYB104K10
C 651	(B,88,37) 0.1 uF	CCG1321	C 931	(B,96,82) 10 uF	CCG1192
C 652	(B,93,34)	CCSSCH330J50	C 932	(B,105,69) 10 uF	CCG1192
C 653	(A,76,28)	CCSSCH680J50	C 933	(B,91,77) 10 uF	CCG1192
C 654	(B,152,98)	CKSRYB105K10	C 934	(B,94,74) 10 uF	CCG1192
C 655	(B,152,91)	CKSSYB104K10	C 935	(B,96,80) 10 uF	CCG1192
C 656	(A,109,28)	CCSRCH102J50	C 936	(B,102,79) 10 uF	CCG1192
C 657	(A,109,31) 0.1 uF	CCG1321	C 937	(B,101,68)	CKSSYB103K16
C 658	(A,110,31)	CCSRCH102J50	C 938	(A,89,66)	CKSRYB105K10
C 661	(A,112,32) 10 uF	CCG1192	C 939	(A,89,71)	CKSRYB105K10
C 664	(A,112,28) 10 uF	CCG1192	C 940	(A,88,66)	CKSRYB105K10
C 668	(B,85,20)	CCSSCH560J50	C 941	(A,87,71)	CKSRYB105K10
C 669	(B,83,20)	CCSSCH560J50	C 942	(A,86,66)	CKSRYB105K10
C 670	(B,83,24)	CCSSCH560J50	C 943	(A,86,71)	CKSRYB105K10
C 671	(B,82,24)	CCSSCH560J50	C 944	(A,119,68)	CEVW470M16
C 672	(B,81,21)	CCSSCH560J50	C 1101	(B,145,53)	CKSRYB105K10
C 673	(B,80,21)	CCSSCH560J50	C 1102	(B,145,51)	CKSSYB104K10
C 674	(B,90,24)	CCSSCH560J50	C 1106	(B,143,45)	CKSSYB104K10
C 675	(B,90,20)	CCSSCH560J50	C 1108	(B,142,45)	CKSSYB104K10
C 676	(B,86,25)	CCSSCH560J50	C 1110	(B,141,45)	CKSSYB104K10
C 677	(B,85,25)	CCSSCH560J50	C 1112	(B,140,45)	CKSSYB104K10
C 678	(B,87,18)	CCSSCH560J50	C 1114	(B,139,45)	CKSSYB104K10
C 679	(B,86,19)	CCSSCH560J50	C 1115	(B,135,60)	CKSRYB105K10
C 680	(B,91,27)	CCSSCH560J50	C 1116	(B,138,45)	CKSSYB104K10
C 681	(B,90,26)	CCSSCH560J50	C 1117	(B,134,60)	CKSRYB105K10
C 682	(B,92,20)	CCSSCH560J50	C 1118	(B,137,45)	CKSSYB104K10
C 683	(B,92,25)	CCSSCH560J50	C 1119	(B,133,60)	CKSRYB105K10
C 684	(B,91,20)	CCSSCH560J50	C 1120	(B,136,45)	CKSSYB104K10
C 685	(B,88,25)	CCSSCH560J50	C 1121	(B,131,60) (C)	CKSRYB105K10
C 687	(A,92,26)	CCSSCH330J50	C 1122	(B,135,45)	CKSSYB104K10
C 691	(A,100,26)	CCSSCH330J50	C 1123	(B,130,60) (C)	CKSRYB105K10
C 692	(A,104,26)	CCSSCH330J50	C 1124	(B,134,45)	CKSSYB104K10
C 700	(A,110,36)	CCSSCH8R0D50	C 1125	(B,127,60) (C)	CKSRYB105K10
C 821	(B,76,67) 10 uF	CCG1192	C 1126	(B,133,45)	CKSSYB104K10
C 823	(A,85,68)	CKSRYB105K10	C 1127	(B,128,51) 10 uF	CCG1192
C 824	(A,84,71)	CKSRYB105K10	C 1128	(B,132,50)	CKSSYB104K10
C 851	(B,97,14)	CKSSYB104K10	C 1129	(B,132,51)	CKSSYB104K10

	1	2	3	4
	<u>Circuit Symbol and No.</u>	<u>Part No.</u>	<u>Circuit Symbol and No.</u>	<u>Part No.</u>
	C 1132 (B,131,56) 10 uF	CCG1192	C 1316 (A,85,111)	CCG1281
	C 1133 (B,130,52) 10 uF	CCG1192	C 1318 (B,91,110) 0.47 uF	CCG1317
	C 1134 (B,146,50) (C)	CKSSYB104K10	C 1319 (B,87,110) 0.47 uF	CCG1317
A	C 1135 (B,131,48)	CCSSCH181J50	C 1320 (A,90,114) 4.7 uF	CCG1291
	C 1136 (B,144,57)	CKSRYB105K10	C 2002 (B,28,37) (A,B)	CKSRYB105K10
	C 1137 (B,145,57)	CKSRYB105K10	C 2003 (B,29,57) (A,B)	CKSRYB105K10
	C 1138 (B,146,57)	CKSRYB105K10	C 2004 (B,28,28) (A,B)	CKSRYB105K10
	C 1201 (B,131,87) (A)	CKSRYB105K10	C 2005 (B,29,50) (A,B)	CKSRYB105K10
	C 1202 (A,136,91)	CEVW470M16	C 2006 (B,34,60) (B)	CKSRYB105K10
	C 1203 (A,132,86)	CKSSYB104K10	C 2008 (B,34,68) (B)	CKSRYB105K10
	C 1206 (A,126,80)	CEVW470M16	C 2010 (A,35,60)	CKSRYB105K10
	C 1207 (B,133,89) (A)	CKSRYB105K10	C 2011 (A,43,61)	CKSRYB105K10
	C 1208 (B,132,91)	CKSRYB105K10	C 2014 (B,33,53) (A,B)	CKSSYB104K10
	C 1209 (B,134,91)	CKSRYB105K10	C 2015 (A,35,102) (B)	CKSSYB104K16
B	C 1210 (B,134,94)	CKSRYB105K10	C 2016 (B,27,93) (B)	CKSRYB104K50
	C 1211 (B,135,94)	CKSRYB105K10	C 2017 (A,35,62)	CKSSYB104K10
	C 1212 (B,136,91)	CKSRYB105K10	C 2018 (B,31,29) (A,B)	CKSSYB104K10
	C 1213 (B,137,91)	CKSRYB105K10	C 2019 (B,38,62) (B)	CKSSYB104K10
	C 1214 (B,138,94)	CKSRYB105K10	C 2105 (B,26,60) 10 uF(A,B)	CCG1192
	C 1215 (B,139,94)	CKSRYB105K10	C 2107 (B,27,41) 10 uF(A,B)	CCG1192
	C 1216 (B,139,91)	CKSRYB105K10	C 2111 (A,13,50) (A,B)	CKSSYB104K10
	C 1217 (B,141,91)	CKSRYB105K10	C 2202 (A,51,64)	CKSSYB104K10
	C 1218 (B,141,94)	CKSRYB105K10	C 2203 (A,51,68)	CKSSYB104K10
	C 1219 (B,142,94)	CKSRYB105K10	C 2204 (A,52,67) 10 uF	CCG1192
C	C 1220 (B,143,91)	CKSRYB105K10	C 2205 (A,41,68) 10 uF	CCG1192
	C 1221 (B,145,90) (A)	CKSRYB105K10	C 2206 (A,44,80)	CKSSYB104K10
	C 1222 (B,146,88) (A)	CKSRYB105K10	C 2208 (A,42,81)	CKSSYB224K6R3
	C 1223 (A,144,80)	CEVW470M16	C 2209 (A,42,82)	CKSSYB102K50
	C 1224 (A,134,79) 10 uF	CCG1332	C 2210 (A,38,80)	CKSSYB104K10
	C 1225 (A,129,72)	CKSSYB104K10	C 2212 (A,37,93)	CCSSCH220J50
	C 1226 (A,135,70)	CEVW470M16	C 2213 (A,37,91)	CCSSCH271J50
	C 1228 (B,140,75)	CKSSYB104K10	C 2216 (A,41,72)	CKSSYB104K10
	C 1229 (B,136,75)	CKSSYB104K10	C 2219 (A,33,83)	CCSSCH102J50
	C 1231 (A,130,84)	CCSSCH151J50	C 2220 (A,34,95)	CCSSCH471J50
D	C 1232 (A,130,86)	CKSSYB102K50	C 2224 (A,36,78)	CKSSYB152K50
	C 1234 (A,143,86)	CCSSCH151J50	C 2234 (A,35,95)	CCSSCH100D50
	C 1237 (B,127,81) 0.1 uF	CCG1311	C 2238 (A,52,81)	CKSSYB102K50
	C 1238 (B,148,81) 0.1 uF	CCG1311	C 2401 (B,167,93)	CKSSYB222K50
	C 1239 (A,143,97)	CKSSYB102K50	C 2402 (B,166,93)	CCSSCH270J50
	C 1241 (A,135,77)	CKSSYB472K50	C 2403 (B,158,84)	CKSSYB104K16
	C 1271 (B,105,87) 1 uF	CCG1325	C 2404 (A,160,95)	CEVW470M16
	C 1272 (B,119,92) 1 uF	CCG1325	C 2405 (A,168,94)	CEVW101M16
	C 1273 (B,121,92) 1 uF	CCG1325	C 2406 (B,167,91)	CKSRYB105K10
	C 1274 (B,123,92) 1 uF	CCG1325	C 2407 (B,163,83)	CKSSYB102K50
	C 1275 (B,125,92) 1 uF	CCG1325	C 2408 (B,165,83)	CKSSYB472K25
E	C 1276 (B,126,92) 1 uF	CCG1325	C 2409 (B,160,83)	CKSSYB104K16
	C 1277 (B,119,78) 1 uF	CCG1325	C 2410 (B,164,95)	CCSSCH681J50
	C 1278 (B,121,83) 1 uF	CCG1325	C 2412 (B,161,95)	CCG1286
	C 1279 (B,123,83) 1 uF	CCG1325	C 2414 (A,171,90)	CKSSYB104K10
	C 1280 (B,108,84) 1 uF	CCG1325	C 2415 (A,167,87) 22 uF	CCG1254
	C 1282 (B,103,87) 1 uF	CCG1325	C 2504 (B,164,16)	CKSSYB104K16
	C 1283 (B,128,92) 1 uF	CCG1325	C 2506 (B,155,12)	CCSSCH221J50
	C 1301 (A,101,114) 4.7 uF	CCG1201	C 2509 (A,142,28)	CKSSYB104K10
	C 1304 (B,94,110)	CKSRYB474K16	C 2512 (A,144,35)	CCSSCH390J50
	C 1305 (B,84,110)	CKSRYB474K16	C 2513 (A,167,18) 10 uF	CCG1192
	C 1306 (A,93,114)	CCG1322	C 2514 (A,168,18) 10 uF	CCG1192
F	C 1307 (A,88,114)	CCG1291	C 2902 (B,47,12) 4.7 uF	CCG1201
	C 1308 (A,83,111)	CCG1286	C 2904 (B,50,16) 4.7 uF	CCG1201
	C 1313 (A,83,100)	CCH2085	C 2905 (B,47,10)	CKSSYB104K10
	C 1315 (A,84,115) 0.1 uF	CCG1311	C 2906 (B,46,16)	CKSSYB104K10

5		6		7		8	
<u>Circuit Symbol and No.</u>		<u>Part No.</u>		<u>Circuit Symbol and No.</u>		<u>Part No.</u>	
C 2907	(A,32,23)		CEVW221M16	C 4039	(B,157,45)		CKSSYB221K50
C 2909	(A,48,19)		CKSRYB105K10	C 4040	(B,158,46)		CKSSYB102K50
C 3006	(A,95,12) 10 uF		CCG1192	C 4041	(A,126,31)		CCSRCH102J50
C 3007	(A,86,13)		CEVW101M16	C 4042	(B,140,30)		CKSRYB102K50
C 3010	(A,91,16)		CKSSYB102K50				
C 3125	(A,33,110)		CKSSYB471K50				
C 3126	(A,53,65)		CCSSCH102J50				
C 3127	(B,26,131)		CKSRYB102K50				
C 3128	(B,33,131)		CKSRYB102K50				
C 3129	(B,35,131)		CKSRYB102K50				
C 3130	(B,27,131)		CCSSCH101J50				
C 3151	(A,162,108)		CKSRYB104K50				
C 3152	(A,152,108)		CKSRYB104K50				
C 3154	(A,138,109)		CKSRYB104K50				
C 3156	(B,145,100)		CCSSCH271J50				
C 3157	(B,146,94)		CKSRYB102K50				
C 3161	(A,145,107) (A,B)		CCSSCH270J50				
C 3162	(A,143,107) (A,B)		CCSSCH270J50				
C 3163	(A,136,107) (A,B)		CCSSCH270J50				
C 3164	(A,134,107) (A,B)		CCSSCH270J50				
C 3165	(A,126,107) (A,B)		CCSSCH270J50				
C 3166	(A,125,107) (A,B)		CCSSCH270J50				
C 3167	(A,148,106) 4.7 uF		CCG1201				
C 3168	(A,140,106) 4.7 uF		CCG1201				
C 3169	(A,138,106) 4.7 uF		CCG1201				
C 3170	(A,131,105) 4.7 uF		CCG1201				
C 3171	(A,129,106) 4.7 uF		CCG1201				
C 3172	(A,122,105) 4.7 uF		CCG1201				
C 3191	(B,161,101) 10 uF		CCG1192				
C 3192	(B,155,99)		CKSSYB104K10				
C 3202	(A,66,65) (C)		CKSSYB102K50				
C 3203	(A,64,65) (C)		CKSSYB102K50				
C 3221	(B,76,75)		CKSSYB104K10				
C 3222	(B,78,75)		CKSSYB104K10				
C 3231	(B,81,75)		CKSSYB104K10				
C 3232	(B,114,76) 10 uF		CCG1192				
C 3233	(B,89,79)		CKSSYB104K10				
C 3234	(B,114,74)		CKSSYB104K10				
C 3235	(B,100,82)		CKSSYB104K10				
C 3236	(B,87,75)		CKSRYB105K10				
C 3237	(B,87,77)		CKSRYB105K10				
C 3238	(B,93,83)		CKSRYB105K10				
C 3239	(B,90,84)		CKSRYB105K10				
C 3240	(B,111,75)		CKSRYB105K10				
C 3241	(B,109,71)		CKSRYB105K10				
C 3242	(B,96,85)		CKSRYB105K10				
C 3243	(B,96,84)		CKSRYB105K10				
C 4001	(B,27,35) (A)		CKSSYB104K10				
C 4002	(B,22,37) (A)		CKSSYB104K10				
C 4004	(B,139,38)		CKSRYB102K50				
C 4010	(B,62,15)		CKSSYB102K50				
C 4011	(B,61,14)		CKSSYB102K50				
C 4013	(A,9,28) (A)		CKSRYB104K50				
C 4014	(B,143,42)		CKSSYB102K50				
C 4015	(B,150,21)		CKSSYB102K50				
C 4016	(B,151,21)		CKSSYB102K50				
C 4017	(B,144,21)		CCSSCH180J50				
C 4018	(B,142,21)		CCSSCH180J50				
C 4019	(B,73,28)		CKSSYB102K50				
C 4020	(B,73,31)		CKSSYB102K50				
C 4023	(B,144,28)		CKSSYB102K50				

**B**  
**Unit Number : CXX8373(A,C)**  
**Unit Number : CXX8374(B)**  
**Unit Name : Service Unit(Monitor)**

**MISCELLANEOUS**

IC 5001	(A,115,23) IC	AK4187VN
IC 5101	(A,114,53) IC	OZ5271LN
IC 5201	(A,27,57) IC	R1290K103A
Q 5001	(A,127,27) Transistor	HN1C01FU
Q 5002	(A,135,26) Transistor	HN1C01FU
Q 5003	(A,130,31) Transistor	HN1C01FU
Q 5201	(A,32,63) Transistor	LTC024EEB
Q 5202	(A,20,60) Transistor	2SAR502UB
Q 5301	(A,38,59) Transistor	LSAR523UB
Q 5302	(A,40,54) Transistor	LSCR523UB
D 5005	(A,135,20) Diode	DZ2S068C
D 5006	(A,137,20) Diode	DZ2S068C
D 5101	(A,113,60) Diode	RB060M-30
D 5201	(A,22,51) Diode	DB2J41100
D 5202	(B,22,67) Diode	RB548W
D 5203	(B,24,67) Diode	RB548W
D 5204	(B,19,61) Diode	RB548W
L 5102	(A,110,60) Coil	CTH1558
L 5201	(A,21,55) Choke Coil 22 uH	CTH1426
L 5202	(A,27,51) Chip Beads(B)	VTL1128
L 5301	(A,22,45) Inductor	CTF1765
TH5001	(A,78,6) Thermistor	CCX1084
CN5001	(A,121,12) Connector	CKS6625
CN5003	(A,58,63) Connector	CKS6646
CN5004	(A,140,13) Connector	CKS6635
CN5005	(A,129,60) Connector	DKN1361
CN5301	(A,34,26) Connector	CKS6646

**RESISTORS**

R 5006	(A,117,20)	RS1/16SS201J
R 5010	(A,118,22)	RS1/16SS561J
R 5011	(A,118,23)	RS1/16SS161J
R 5012	(A,118,25)	RS1/16SS510J
R 5021	(A,128,25)	RS1/16SS1200D
R 5022	(A,128,24)	RS1/16SS39R0D
R 5024	(A,136,25)	RS1/16SS82R0D
R 5025	(A,136,24)	RS1/16SS56R0D
R 5027	(A,131,28)	RS1/16SS82R0D
R 5028	(A,132,28)	RS1/16SS39R0D
R 5030	(A,129,27)	RS1/16SS272J
R 5031	(A,137,26)	RS1/16SS272J
R 5032	(A,132,31)	RS1/16SS272J
R 5033	(A,77,10)	RS1/16SS183J
R 5035	(B,127,56)	RS1/16SS0R0J
R 5036	(B,128,55)	RS1/16SS0R0J
R 5037	(B,129,56)	RS1/16SS0R0J
R 5038	(A,124,27)	RS1/16SS272J

1

**Circuit Symbol and No.**R 5039 (A,124,28)  
R 5040 (A,126,28)

A

R 5041 (A,132,26)  
R 5042 (A,133,28)  
R 5043 (A,134,28)  
R 5044 (A,127,31)  
R 5045 (A,127,32)R 5046 (A,129,33)  
R 5104 (B,115,56)  
R 5105 (B,111,51)  
R 5106 (B,108,56)  
R 5109 (A,112,48)

B

R 5110 (A,115,49)  
R 5111 (A,116,49)  
R 5112 (A,118,57)  
R 5113 (A,118,56)  
R 5114 (A,119,56)R 5119 (B,119,57)  
R 5121 (B,120,55)  
R 5123 (A,111,57)  
R 5201 (A,29,63)  
R 5202 (A,29,61)

C

R 5203 (A,30,62)  
R 5206 (B,23,58)  
R 5207 (B,29,60)  
R 5208 (B,30,59)  
R 5209 (B,30,56)R 5210 (A,21,58)  
R 5211 (A,33,58)  
R 5212 (B,26,62)  
R 5213 (B,27,62)  
R 5214 (A,20,51)

D

R 5216 (A,31,53)  
R 5217 (A,31,55)  
R 5218 (A,33,54)  
R 5219 (A,30,53)  
R 5220 (A,28,51) (A)R 5231 (A,21,63)  
R 5232 (A,16,59)  
R 5301 (A,62,16)  
R 5302 (A,63,16)  
R 5303 (A,65,17)

E

R 5304 (A,64,18)  
R 5305 (A,65,19)  
R 5307 (A,65,21)  
R 5308 (A,64,22)  
R 5309 (A,65,23)R 5310 (A,64,24)  
R 5311 (A,65,25)  
R 5313 (A,65,27)  
R 5314 (A,64,28)  
R 5315 (A,65,29)

F

R 5316 (A,64,30)  
R 5317 (A,65,31)  
R 5319 (A,65,33)  
R 5320 (A,64,34)  
R 5321 (A,65,35)R 5322 (A,65,36)  
R 5323 (B,29,27)  
R 5324 (B,24,27)

2

**Part No.**RS1/16SS1200D  
RS1/16SS39R0DRS1/16SS272J  
RS1/16SS82R0D  
RS1/16SS56R0D  
RS1/16SS272J  
RS1/16SS82R0DRS1/16SS39R0D  
RS1/16SS104J  
RS1/16SS104J  
RS1/16SS102J  
RS1/16SS563JRS1/16SS104J  
RS1/16SS101J  
RS1/16SS102J  
RS1/16SS3002D  
RS1/16SS1001DRS1/16SS105J  
RS1/16SS683J  
RS1/8SQ2R2J  
RS1/16SS8201D  
RS1/16SS6800DRS1/16SS1502D  
RS1/16SS9102D  
RS1/16SS1802D  
RS1/16SS203J  
RS1/16SS104JRS1/16SS103J  
RS1/16SS472J  
RS1/16SS1003D  
RS1/16SS9101D  
RS1/8SQ2R2JRS1/16SS1203D  
RS1/16SS3001D  
RS1/16SS1502D  
RS1/16SS472J  
RS1/16SS0R0JRS1/16SS103J  
RS1/16SS332J  
RS1/16SS4R7J  
RS1/16SS560J  
RS1/16SS181JRS1/16SS2R2J  
RS1/16SS470J  
RS1/16SS390J  
RS1/16SS4R7J  
RS1/16SS101JRS1/16SS8R2J  
RS1/16SS131J  
RS1/16SS101J  
RS1/16SS8R2J  
RS1/16SS390JRS1/16SS4R7J  
RS1/16SS470J  
RS1/16SS181J  
RS1/16SS2R2J  
RS1/16SS330JRS1/16SS2R4J  
RS1/16SS473J  
RS1/16SS473J

3

**Circuit Symbol and No.**R 5325 (B,25,29)  
R 5326 (B,27,29)R 5331 (A,39,61)  
R 5333 (A,38,61)  
R 5335 (A,39,57)  
R 5336 (A,38,55)  
R 5337 (A,36,55)R 5339 (A,35,50)  
R 5340 (A,41,56)  
R 5341 (A,39,56)**CAPACITORS**C 5001 (B,123,17)  
C 5002 (B,122,16)  
C 5003 (B,121,16)  
C 5004 (B,118,19)  
C 5005 (A,113,18) 10 uFC 5006 (A,114,27) 10 uF  
C 5007 (A,112,22)  
C 5008 (A,115,20)  
C 5015 (A,78,7)  
C 5016 (A,78,10)C 5017 (A,115,19) 1 uF  
C 5018 (A,111,22) 1 uF  
C 5101 (A,90,58) 10 uF/16 V  
C 5103 (A,100,58) 10 uF/16 V  
C 5104 (A,102,58) 10 uF/16 VC 5105 (A,110,52) 1 uF  
C 5106 (A,109,53) 1 uF  
C 5108 (A,113,49) 1 uF  
C 5109 (A,114,49)  
C 5110 (A,119,61) 10 uFC 5113 (A,120,57)  
C 5116 (A,115,61) (B)  
C 5117 (A,116,61) (B)  
C 5120 (A,109,57)  
C 5201 (A,34,60)C 5203 (A,34,62) 1 uF  
C 5204 (A,34,61)  
C 5205 (A,27,62)  
C 5206 (A,19,48)  
C 5207 (A,27,52)C 5208 (B,18,62) 1 uF  
C 5209 (B,30,53) 1 uF  
C 5210 (B,24,69) 1 uF  
C 5212 (B,26,65) 1 uF  
C 5213 (B,20,60)C 5214 (B,22,65)  
C 5215 (B,23,64)  
C 5217 (A,23,63) 4.7 uF  
C 5218 (A,33,56)  
C 5219 (A,18,52) 4.7 uFC 5220 (A,28,63)  
C 5221 (B,26,63)  
C 5222 (A,24,49) 4.7 uF  
C 5224 (A,30,55)  
C 5301 (A,66,16)C 5302 (A,66,17)  
C 5309 (A,66,24)

4

**Part No.**RS1/16SS473J  
RS1/16SS473JRS1/16SS153J  
RS1/16SS105J  
RS1/16SS153J  
RS1/16SS472J  
RS1/16SS101JRS1/8SQ0R0J  
RS1/16SS393J  
RS1/16SS124JCKSSYB103K16  
CKSSYB103K16  
CKSSYB103K16  
CKSSYB103K16  
CCG1244CCG1244  
CKSSYB104K10  
CKSSYB104K10  
CKSSYB104K10  
CKSSYB104K10DCH1246  
DCH1246  
DCH1263  
DCH1263  
DCH1263CCG1382  
CCG1382  
DCH1246  
CCSSCH101J50  
CCG1236CKSRYB224K16  
CCSSCH471J50  
CCSSCH471J50  
CKSSYB332K50  
CKSSYB224K6R3DCH1246  
CKSSYB224K6R3  
CKSRYB224K16  
CKSSYB472K50  
CKSSYB102K50CCG1382  
DCH1246  
CCG1393  
CCG1393  
CKSRYB104K50CKSRYB104K50  
CKSRYB104K50  
CCG1222  
CKSSYB682K25  
CCG1212CCSSCH101J50  
CKSSYB561K50  
CCG1222  
CKSSYB152K50  
CKSSYB102K50CKSSYB104K16  
CKSSYB102K50

1

2

3

4

5		6		7		8	
<u>Circuit Symbol and No.</u>		<u>Part No.</u>		<u>Circuit Symbol and No.</u>		<u>Part No.</u>	
C 5310	(A,66,25)	CKSSYB104K16		R 1101	(B,16,58)	RS1/16SS104J	
C 5311	(A,66,26)	CKSSYB102K50		R 1102	(B,11,57)	RS1/16SS104J	
C 5312	(A,66,27)	CKSSYB104K10		R 1103	(B,15,62)	RS1/16SS4300F	
C 5321	(B,29,33)	CKSSYB102K50		R 1104	(B,12,59)	RS1/16SS5100F	A
C 5323	(B,29,34)	CKSSYB104K16		R 1105	(B,18,55)	RS1/16SS4300F	
C 5324	(A,22,43) 10 uF(B)	CCG1236		R 1106	(B,10,58)	RS1/16SS5600F	
C 5325	(A,22,41) 10 uF	CCG1236		R 1109	(B,7,58)	RS1/16SS3R3J	
C 5326	(A,24,45)	CKSSYB102K50		R 1110	(B,17,55)	RS1/16SS3R3J	
C 5327	(A,26,44) 10 uF(B)	CCG1236		R 1111	(B,6,64)	RS1/10SR3R3J	
C 5329	(B,27,32)	CKSSYB102K50		R 1112	(B,6,59)	RS1/10SR3R3J	
C 5330	(B,26,32)	CKSSYB104K10		R 1113	(B,16,60)	RS1/10SR3R9J	
C 5331	(A,18,41) 10 uF	CCG1192		R 1114	(B,20,58)	RS1/10SR3R3J	
C 5334	(B,21,32)	CKSSYB104K16		R 1115	(B,6,62)	RS1/10SR2R7J	
C 5335	(A,14,39) 4.7 uF	CCG1222		R 1116	(B,6,63)	RS1/10SR2R7J	
C 5337	(A,14,44)	CKSQYB225K16		R 1117	(B,18,60)	RS1/10SR3R9J	B
C 5340	(A,9,41)	CKSQYB334K50		R 1118	(B,17,60)	RS1/10SR3R9J	
C 5342	(A,19,31) 1 uF	DCH1246		R 1223	(A,43,51)	RS1/16SS561J	
C 5343	(A,38,62)	CKSSYB104K10		R 1225	(B,30,8)	RS1/16SS471J	
C 5344	(A,37,52) 10 uF	CCG1236		R 1251	(A,6,49)	RS1/16SS333J	
				R 1252	(A,6,48)	RS1/16SS473J	



**Unit Number : CWX4609**  
**Unit Name : DVD Core Unit**

**MISCELLANEOUS**

IC 1002	(B,16,14) IC	MM1886A50P		R 1253	(A,6,47)	RS1/16SS333J	
IC 1004	(B,65,29) IC	NJM2855DL1-33		R 1254	(A,6,46)	RS1/16SS473J	
IC 1251	(A,13,42) IC	BA5839FP		R 1255	(A,22,49)	RS1/16SS183J	
IC 1401	(B,28,41) Flash ROM Unit	CWW8811		R 1256	(A,22,46)	RS1/16SS153J	
IC 1402	(B,46,29) Flash ROM Unit	CWW8812		R 1257	(B,9,38)	RS1/16SS221J	
IC 1480	(A,65,31) IC	M12L64164A-5TG2Y		R 1258	(A,20,39)	RS1/16SS221J	C
IC 1501	(A,40,34) IC	MN2DS0018MA		R 1401	(B,34,29)	RS1/16SS221J	
IC 1953	(B,58,18) IC	S-1135D12-A6		R 1402	(B,35,48)	RS1/16SS104J	
Q 1101	(B,13,60) Transistor	LSCR523UB		R 1405	(B,56,36)	RS1/16SS104J	
Q 1102	(B,14,57) Transistor	LSCR523UB		R 1406	(B,40,46)	RS1/16SS472J	
Q 1103	(B,10,63) Transistor	2SB1132		R 1480	(A,73,25)	RAB4CQ560J	
Q 1104	(B,23,55) Transistor	2SB1132		R 1481	(A,73,29)	RAB4CQ560J	
L 1501	(A,55,31) Inductor	CTF1743		R 1482	(A,73,33)	RAB4CQ560J	
L 1511	(A,49,18) Chip Beads	VTL1126		R 1483	(A,73,36)	RAB4CQ560J	
L 1902	(A,18,18) Inductor	CTF1487		R 1484	(A,73,40)	RAB4CQ560J	
L 1903	(B,64,17) Inductor	CTF1558		R 1485	(A,56,23)	RAB4CQ560J	D
L 1904	(A,69,19) Resistor	RS1/16SS0R0J		R 1486	(A,56,28)	RAB4CQ560J	
X 1501	(B,49,19) Crystal Resonator27.000MHz	CSS1823		R 1487	(A,57,38)	RAB4CQ560J	
F 1001	(A,15,20) Chip EMI Filter	DTF1106		R 1488	(A,56,41)	RAB4CQ560J	
F 1002	(B,64,19) Chip EMI Filter	DTL1106		R 1489	(A,55,30)	RS1/16SS560J	
S 1	(A,47,56) Lever Switch	CSN1090		R 1490	(A,73,22)	RS1/16SS560J	
S 3	(B,26,14) Lever Switch	CSN1089		R 1501	(B,49,21)	RS1/16SS122J	
VR1101	(A,8,64) Semi-fixed 6.8 kohm(B)	CCP1447		R 1503	(B,47,21)	RS1/16SS105J	
VR1102	(A,8,60) Semi-fixed 15 kohm(B)	CCP1449		R 1504	(A,51,18)	RS1/16SS121J	
CN1101	(A,22,64) Connector	CKS6631		R 1509	(A,21,35)	RS1/16SS102J	
CN1952	(A,42,12) Connector	CKS6025		R 1510	(A,11,30)	RS1/16SS102J	E

**RESISTORS**

R 1004	(B,13,21)	RS1/16SS4702F		R 1512	(A,56,32)	RS1/16SS470J	
R 1007	(B,13,22)	RS1/16SS6801F		R 1513	(A,24,39)	RS1/16SS203J	
R 1019	(B,34,8)	RS1/16SS101J		R 1514	(A,25,41)	RS1/16SS183J	
R 1025	(B,37,7)	RS1/16SS101J		R 1516	(A,25,37)	RS1/16SS104J	
R 1027	(A,41,19)	RS1/16SS101J		R 1517	(B,58,23)	RS1/16SS103J	
				R 1518	(B,34,32)	RS1/16SS103J	
				R 1522	(A,22,38)	RS1/16SS104J	
				R 1523	(A,23,38)	RS1/16SS221J	
				R 1524	(B,30,34)	RS1/16SS472J	
				R 1525	(A,25,45)	RS1/16SS103J	F
				R 1526	(A,23,41)	RS1/16SS103J	
				R 1527	(A,36,49)	RS1/16SS682J	
				R 1528	(B,20,34)	RS1/16SS103J	

1

2

3

4

**Circuit Symbol and No.****Part No.****Circuit Symbol and No.****Part No.**

R 1529 (B,36,22)  
 R 1530 (B,18,34)  
 R 1531 (B,34,31)  
 R 1533 (A,29,49)  
 R 1534 (B,30,49)

RS1/16SS103J  
 RS1/16SS103J  
 RS1/16SS103J  
 RS1/16SS104J  
 RS1/16SS221J

C 1254 (A,7,38)  
 C 1255 (A,19,38)  
 C 1401 (B,34,28)  
 C 1403 (B,40,41)

CKSSYB104K16  
 CKSSYB104K16  
 CKSSYB104K16  
 CKSSYB104K10

R 1535 (A,23,45)  
 R 1536 (B,32,49)  
 R 1537 (A,25,47)  
 R 1538 (A,56,36)  
 R 1539 (B,34,49)

RS1/16SS104J  
 RS1/16SS104J  
 RS1/16SS104J  
 RS1/16SS104J  
 RS1/16SS104J

C 1408 (B,58,28)  
 C 1410 (B,34,30)  
 C 1480 (A,72,20)  
 C 1481 (A,73,23)  
 C 1482 (A,73,27)

CKSSYB104K10  
 CKSSYB104K16  
 CKSSYB104K10  
 CKSSYB104K10  
 CKSSYB104K10

R 1540 (A,27,47)  
 R 1541 (A,27,46)  
 R 1542 (B,27,35)  
 R 1546 (A,34,49)  
 R 1601 (A,33,18)

RS1/16SS221J  
 RS1/16SS221J  
 RS1/16SS103J  
 RS1/16SS682J  
 RS1/16SS123J

C 1484 (A,73,31)  
 C 1485 (A,73,42)  
 C 1487 (A,58,30)  
 C 1488 (A,58,26)  
 C 1489 (A,65,18) 10 uF

CKSSYB104K10  
 CKSSYB104K10  
 CKSSYB104K10  
 CKSSYB104K10  
 CCG1192

R 1602 (A,33,19)  
 R 1603 (B,31,21)  
 R 1604 (A,24,21)  
 R 1605 (A,23,24)  
 R 1670 (B,41,20)

RS1/16SS123J  
 RS1/16SS1002D  
 RS1/16SS105J  
 RS1/16SS105J  
 RS1/16SS1002D

C 1490 (A,67,19)  
 C 1501 (B,62,21) 10 uF  
 C 1502 (B,55,20) 10 uF  
 C 1503 (A,55,34)  
 C 1504 (A,54,25)

CKSSYB102K50  
 CCG1192  
 CCG1192  
 CKSSYB104K10  
 CKSSYB104K10

R 1671 (B,43,20)  
 R 1672 (A,40,19)  
 R 1674 (A,39,18)  
 R 1982 (A,11,63)  
 R 1983 (B,42,20)

RS1/16SS2402D  
 RS1/16SS2000D  
 RS1/16SS3002D  
 RS1/16SS822J  
 RS1/16SS1000D

C 1505 (A,54,28)  
 C 1506 (B,53,35)  
 C 1507 (A,54,37)  
 C 1508 (A,54,39)  
 C 1509 (A,54,43)

CKSSYB104K10  
 CKSSYB104K10  
 CKSSYB104K10  
 CKSSYB104K10  
 CKSSYB104K10

R 1990 (B,35,20)  
 R 1991 (B,32,17)  
 R 1996 (B,36,14)  
 R 1997 (B,36,11)  
 R 2002 (B,43,11)

RS1/16SS2000D  
 RS1/16SS101J  
 RS1/16SS2000D  
 RS1/16SS101J  
 RS1/16SS2000D

C 1510 (B,51,18)  
 C 1511 (A,49,19)  
 C 1512 (B,46,19)  
 C 1513 (A,49,48)  
 C 1514 (B,45,21)

CCSSCH120J50  
 CKSSYB104K10  
 CCSSCH120J50  
 CKSSYB104K10  
 CKSSYB104K10

R 2003 (B,43,9)

RS1/16SS101J

C 1515 (A,45,20)  
 C 1516 (A,44,48)  
 C 1517 (A,42,48)  
 C 1518 (A,39,48)  
 C 1519 (A,35,48)

CKSSYB104K10  
 CKSSYB104K10  
 CKSSYB104K10  
 CKSSYB104K10  
 CKSSYB104K10

**CAPACITORS**

C 1002 (B,13,18)  
 C 1003 (B,16,19)  
 C 1004 (B,16,18) 4.7 uF  
 C 1005 (B,42,12)  
 C 1010 (B,61,24)

CKSSYB104K16  
 CKSSYB104K16  
 CCG1201  
 CKSRYB105K16  
 CKSQYB225K10

C 1520 (A,28,48)  
 C 1521 (A,25,34)  
 C 1522 (A,25,39)  
 C 1523 (A,21,46)  
 C 1524 (A,21,49)

CKSSYB104K10  
 CKSSYB104K10  
 CKSSYB104K10  
 CKSSYB104K10  
 CKSSYB473K16

C 1011 (B,65,23)  
 C 1015 (A,26,7)  
 C 1016 (B,64,16)  
 C 1018 (B,15,21)  
 C 1040 (B,60,13)

CKSRYB105K10  
 CKSSYB102K50  
 CKSSYB102K50  
 CKSSYB104K10  
 CCSRCH821J50

C 1526 (A,25,38)  
 C 1528 (B,31,49)  
 C 1601 (A,33,20)  
 C 1602 (A,35,18)  
 C 1603 (A,34,19)

CKSSYB103K16  
 CCSSCH471J50  
 CKSSYB103K16  
 CCSSCH101J50  
 CCSSCH101J50

C 1041 (B,20,12)  
 C 1101 (B,15,54) 10 uF  
 C 1104 (B,8,57)  
 C 1105 (B,19,55)  
 C 1106 (B,8,66)

CCSRCH271J50  
 CCG1192  
 CKSSYB104K10  
 CKSSYB104K10  
 CKSSYB103K16

C 1604 (A,31,18)  
 C 1605 (A,31,19)  
 C 1606 (A,36,20)  
 C 1607 (A,21,25) 10 uF  
 C 1608 (A,29,19) 4.7 uF

CCSSCH680J50  
 CCSSCH680J50  
 CKSSYB104K10  
 CCG1192  
 CCG1201

C 1107 (B,26,54)  
 C 1108 (A,20,57)  
 C 1109 (A,8,58)  
 C 1110 (A,18,59)  
 C 1111 (A,10,67)

CKSSYB103K16  
 CKSSYB103K16  
 CKSRYB224K16  
 CKSSYB103K16  
 CKSRYB224K16

C 1609 (A,27,23)  
 C 1612 (A,25,25)  
 C 1613 (A,25,26)  
 C 1614 (A,23,25)  
 C 1615 (A,24,27)

CKSSYB104K10  
 CKSSYB104K10  
 CKSSYB104K10  
 CKSSYB104K10  
 CKSSYB104K10

C 1112 (B,18,53) 22 uF  
 C 1113 (B,9,59) 22 uF  
 C 1210 (B,77,34)  
 C 1251 (B,13,42)  
 C 1252 (B,8,42) 4.7 uF

DCH1256  
 DCH1256  
 CKSSYB104K16  
 CEVW101M16  
 CCG1222

C 1616 (A,25,28)  
 C 1617 (B,27,29)  
 C 1618 (A,23,30)  
 C 1619 (A,24,31)  
 C 1620 (B,28,31)

CKSSYB104K10  
 CKSSYB104K10  
 CCSSCH101J50  
 CKSSYB562K25  
 CKSSYB224K6R3

C 1253 (B,8,40)

CKSSYB104K16

C 1621 (A,23,32)

CKSSYB224K6R3

1

2

3

4

5		6		7		8	
<u>Circuit Symbol and No.</u>		<u>Part No.</u>		<u>Circuit Symbol and No.</u>		<u>Part No.</u>	
C 1622	(A,25,32)	CKSSYB333K16		IC 101	Driver IC	BA6288FS	
C 1623	(A,28,21)	CKSRYB105K10		VR101	Volume 10kohm	CCW1029	
C 1624	(A,25,33)	CKSSYB104K10		S 101	Switch(HOME)	CSN1067	
C 1625	(A,25,30)	CKSSYB104K10		S 102	Switch(HOME)	CSN1068	
				CN101	Connector	CKS4997	
C 1671	(A,43,20)	CKSSYB104K10					
C 1673	(A,38,18)	CKSSYB104K10					
C 1674	(B,43,21)	CKSSYB104K10					
C 1676	(B,38,21)	CKSRYB105K10					
C 1809	(B,41,18)	CKSSYB102K50					
C 1953	(B,61,18)	CKSRYB105K10					
C 1954	(B,55,18)	CKSRYB105K10					
C 1955	(B,78,41)	CKSSYB104K16					
C 1962	(B,41,21)	CKSRYB105K10					

**RESISTORS**

R 101	RS1/16S221J
R 102	RS1/16S221J
R 103	RS1/16S0R0J

**CAPACITORS**

C 101	CEVW220M16
C 102	CKSRYB104K16

**E**

**Unit Number : CXX8413**

**Unit Name : Service Unit(Keyboard)**

**MISCELLANEOUS**

D 5501	(A,16,5) LED	SMLVN6RGB2UK(B)
D 5502	(A,152,5) LED	SMLVN6RGB2UK(B)
D 5503	(A,71,4) Diode	DZ2S068C
S 5501	(A,159,5) Push Switch	CSG1196
S 5502	(A,144,5) Push Switch	CSG1196
S 5503	(A,66,5) Push Switch	CSG1196
S 5504	(A,51,5) Push Switch	CSG1196
S 5505	(A,36,5) Push Switch	CSG1196
S 5506	(A,131,5) Push Switch	CSG1196
S 5507	(A,117,5) Push Switch	CSG1196
S 5508	(A,101,5) Push Switch	CSG1196
S 5509	(A,84,6) Push Switch	CSG1196
U 5501	(A,8,6) Remote Receiver Unit	RS-470
CN5501	(A,23,6) Connector	CKS6421

**RESISTORS**

R 5502	(A,9,3)	RS1/16SS470J
R 5503	(A,97,3)	RS1/16SS392J
R 5504	(A,107,3)	RS1/16SS472J
R 5505	(A,127,3)	RS1/16SS123J
R 5506	(A,46,3)	RS1/16SS182J
R 5507	(A,60,3)	RS1/16SS222J
R 5508	(A,136,3)	RS1/16SS472J
R 5509	(A,19,5)	RS1/16SS150J
R 5510	(A,149,5)	RS1/16SS150J
R 5511	(A,16,7)	RS1/16SS620J
R 5512	(A,149,4)	RS1/16SS620J
R 5513	(A,18,7)	RS1/16SS390J
R 5514	(A,149,3)	RS1/16SS390J

**CAPACITORS**

C 5507	(A,7,3)	CKSSYB104K10
--------	---------	--------------

**F**

**Unit Number : EXX2001**

**Unit Name : PCB Unit(Service)**

**MISCELLANEOUS**