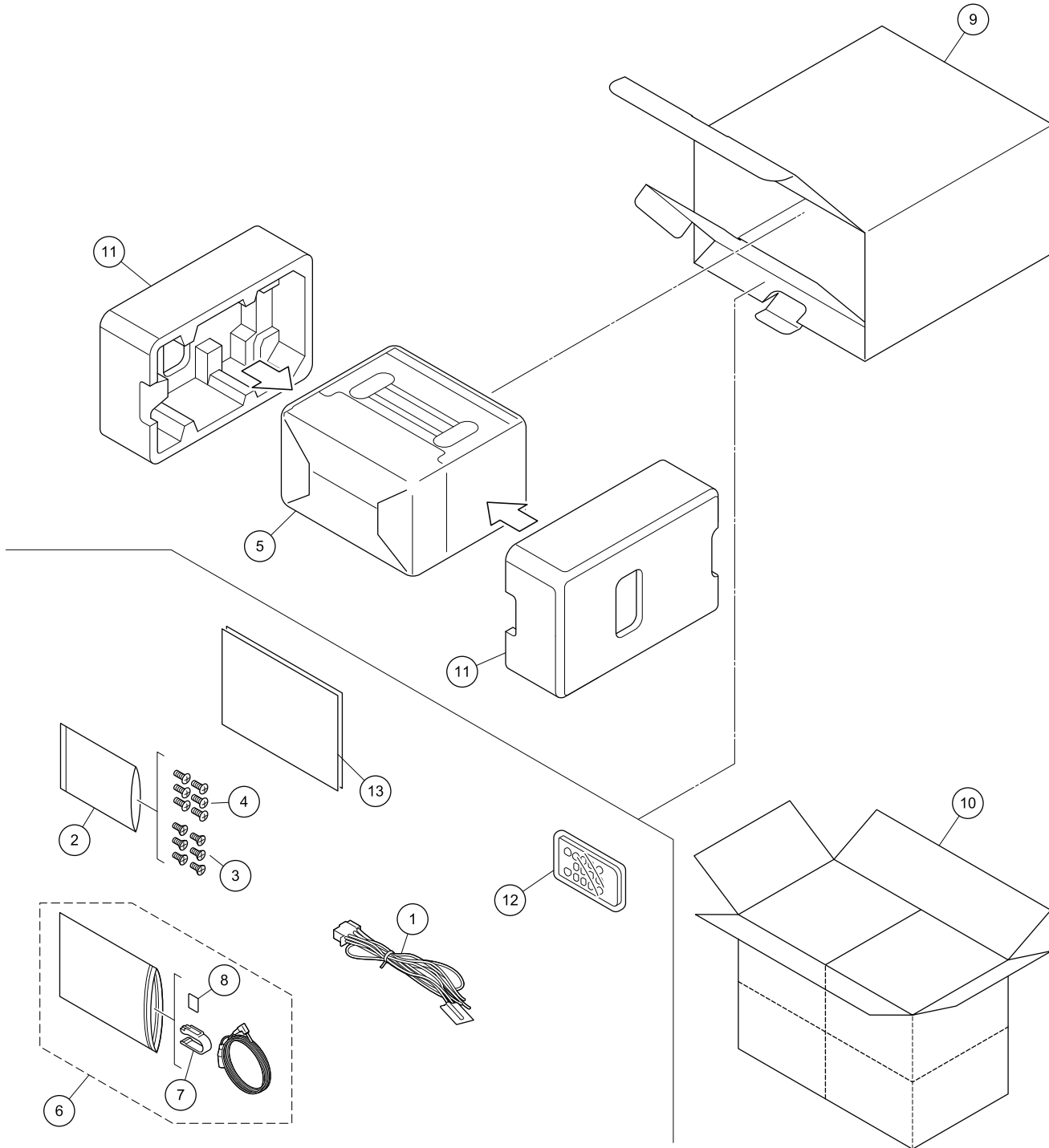


# 9. EXPLODED VIEWS AND PARTS LIST

NOTES : • Parts marked by "\*" are generally unavailable because they are not in our Master Spare Parts List.

- The ⚠ mark found on some component parts indicates the importance of the safety factor of the part. Therefore, when replacing, be sure to use parts of identical designation.
- Screw adjacent to ▽ mark on the product are used for disassembly.
- For the applying amount of lubricants or glue, follow the instructions in this manual.  
(In the case of no amount instructions, apply as you think it appropriate.)

## 9.1 PACKING



**PACKING SECTION PARTS LIST**

<u>Mark No.</u>	<u>Description</u>	<u>Part No.</u>	<u>Mark No.</u>	<u>Description</u>	<u>Part No.</u>
1	Cord Assy	CDP1484	8	Cushion	CZN7193
2	Polyethylene Bag	CEG1160	9	Unit Box	QHG3704
3	Screw	CRZ50P090FTC	10	Contain Box	QHL3704
4	Screw	TRZ50P080FTC			
5	Cover	CEG1359	11	Protector	QHP3033
			12	Card Remote Control Unit	QXE1044
6	Microphone Assy	CPM1083	13-1	Owner's Manual	QRD3295
7	Holder	CZN7192	* 13-2	Warranty Card	QRY3001

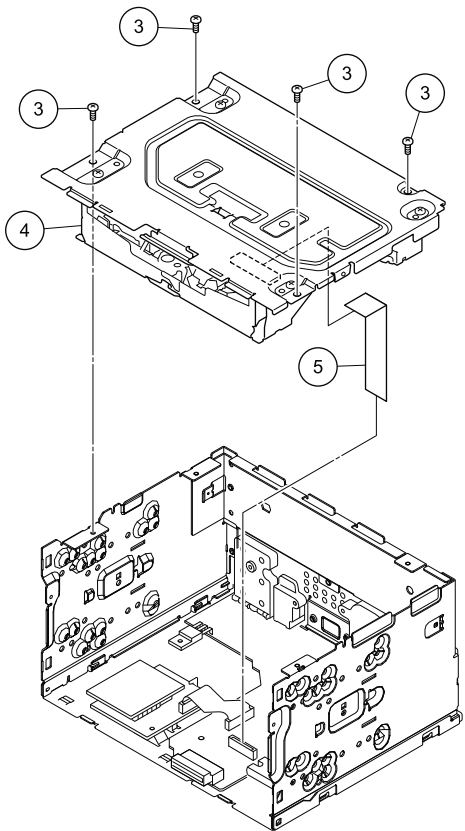
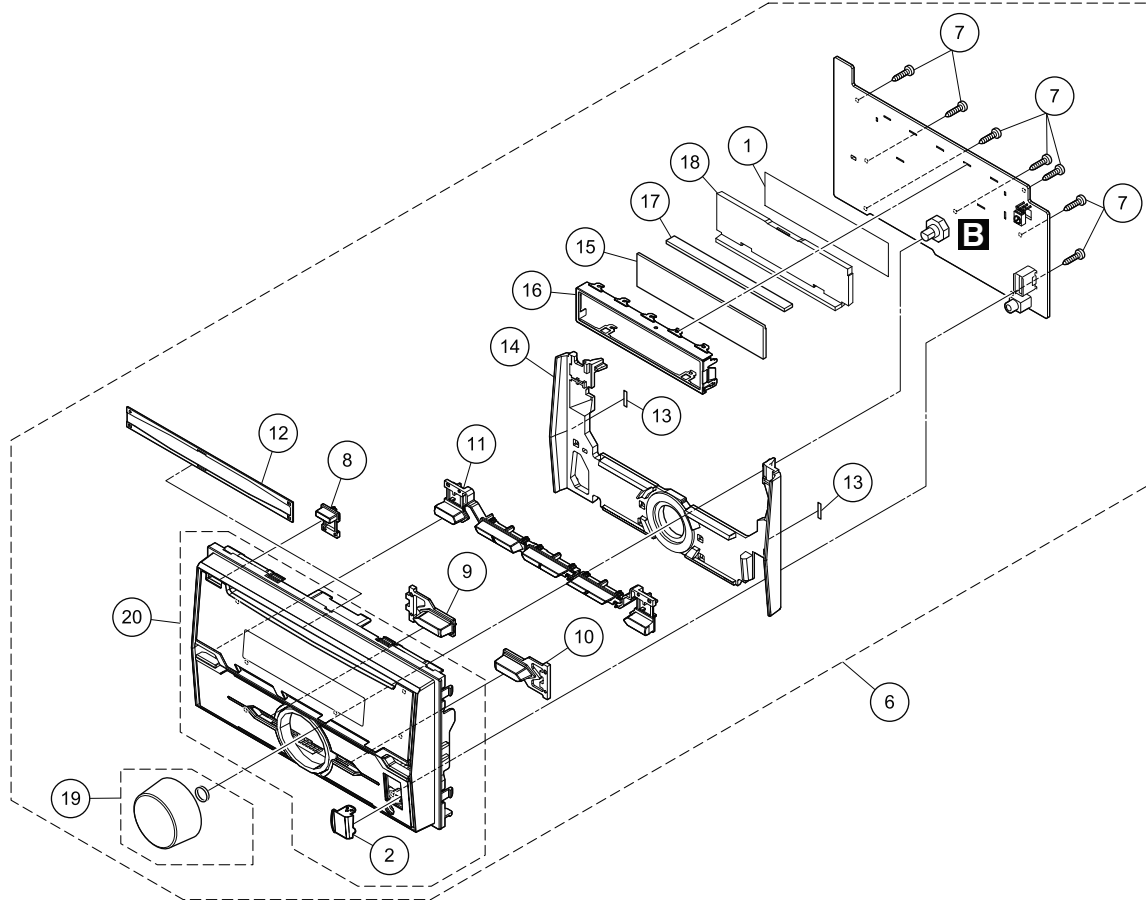
**Owner's Manual,Installation Manual**

<b>Part No.</b>	<b>Language</b>
QRD3295	English, French, Spanish(Espanol)

1 2 3 4

# 9.2 EXTERIOR (1)

A  
B  
C  
D  
E  
F





# 9.3 EXTERIOR (2)

1

2

3

4

A

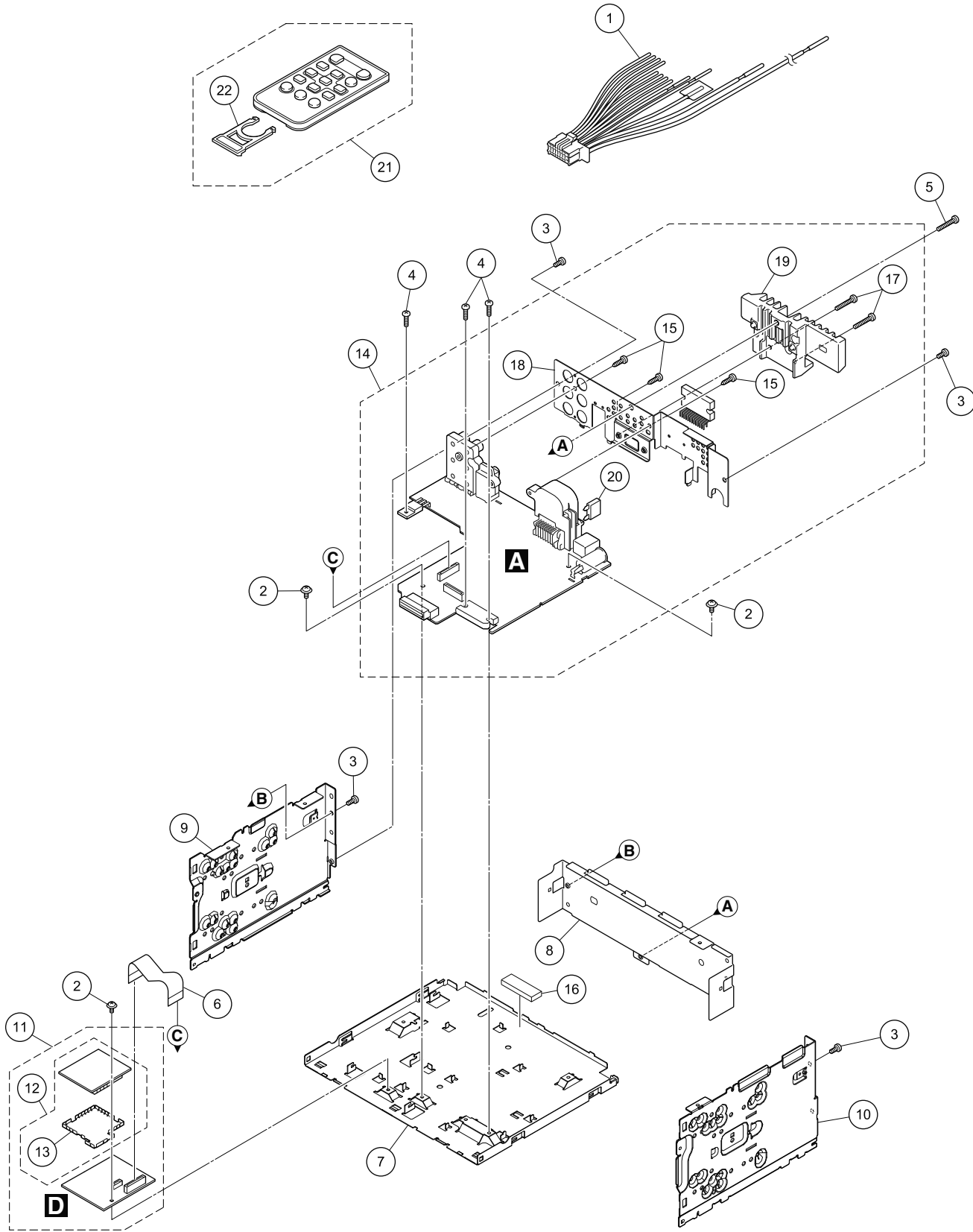
B

C

D

E

F



1

2

3

4



# 9.4 CD MECHANISM MODULE

A

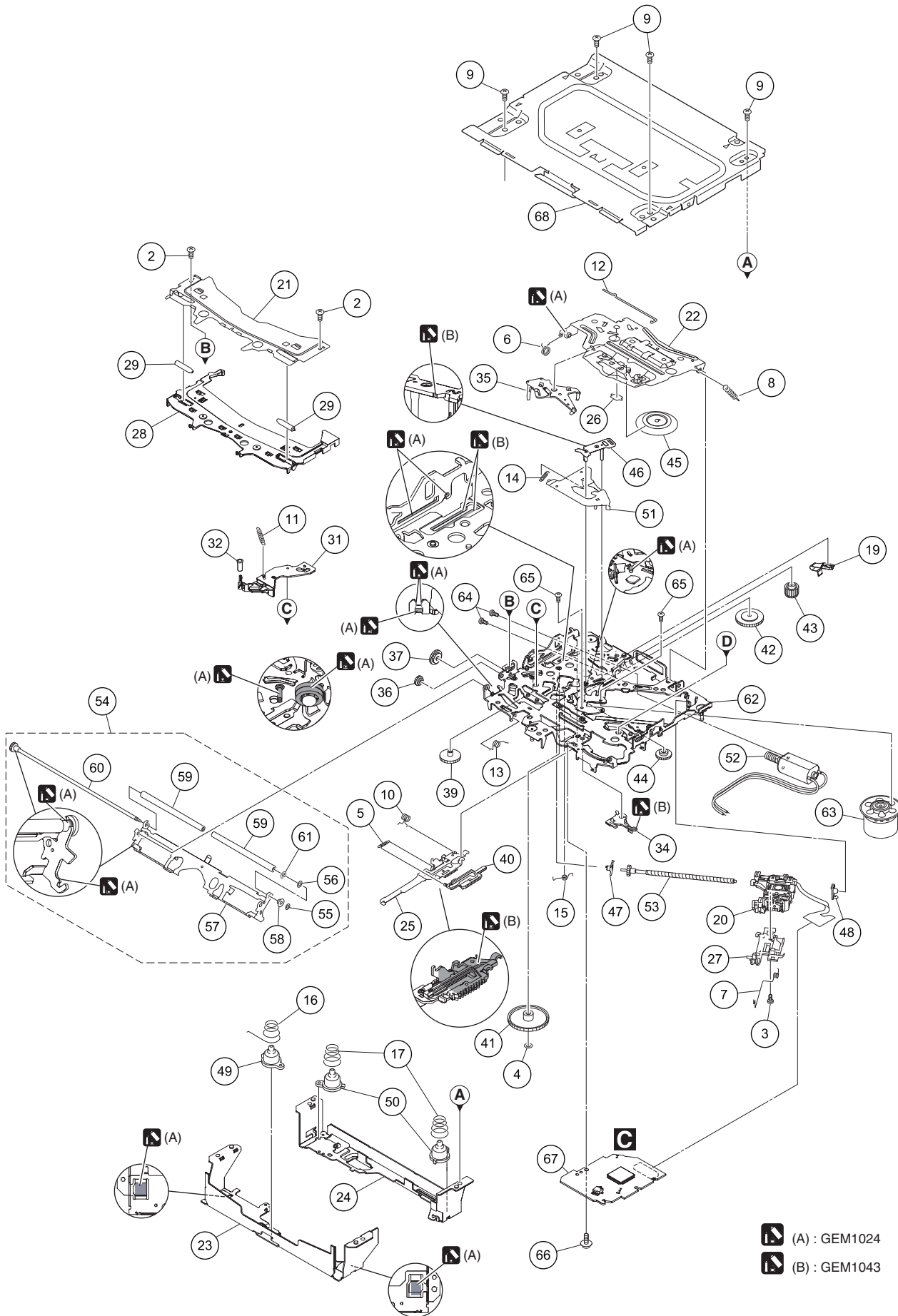
B

C

D

E

F



5 6 7 8

**CD MECHANISM MODULE SECTION PARTS LIST**

<u>Mark No.</u>	<u>Description</u>	<u>Part No.</u>	<u>Mark No.</u>	<u>Description</u>	<u>Part No.</u>
1	.....		50	Damper	CNW1198
2	Screw	BSZ20P040FTC	51	Arm	CNW1726
3	Screw(M2 x 4)	CBA1835	52	Motor Unit(M2)(LOAD/CRG)	CXC4026
4	Washer	CBF1038	53	Screw Unit	CXC8894
5	Spring	CBH3010	54	Arm Assy	CXE6232
6	Spring	CBH2855	55	Washer	CBF1037
7	Spring	CBH2856	56	Washer	CBF1038
8	Spring	CBH2860	57	Arm	CND6242
9	Screw	BSZ26P060FTC	58	Collar	CNW2444
10	Spring	CBH3011	59	Roller	CNW2500
11	Coil Spring	CBH3095	60	Gear Unit	CXE6225
12	Spring	CBH3014	61	Washer	YE15FTC
13	Spring	CBH3015	62	Chassis Unit	CXE4528
14	Spring	CBH3016	63	Motor Unit(M1)(SPDL)	CXE2273
15	Spring	CBH3017	64	Screw	JFZ20P025FTC
16	Spring	CBH3086	65	Screw	JGZ17P022FTC
17	Spring	CBH3019	66	Screw	EBA1028
18	.....		67	CD Core Unit (S11.6STD)	CWX4023
19	Leaf Spring	CBL1824	68	Case	CNB3762
20	Pickup Unit(P10.6)(Service)	CXX3556			
21	Bracket	CND4553			
22	Arm	CND6406			
23	Bracket	CND6127			
24	Bracket	CND5710			
25	Lever	CND6834			
26	Sheet	CNN3678			
27	Rack	CNV8342			
28	Guide	CNW3489			
29	Roller	CNW1172			
30	.....				
31	Arm	CNW2241			
32	Roller	CNW1175			
33	.....				
34	Arm	CNW1177			
35	Arm	CNW1178			
36	Gear	CNW1180			
37	Gear	CNW1181			
38	.....				
39	Gear	CNW1183			
40	Rack	CNW1184			
41	Gear	CNW1185			
42	Gear	CNW1186			
43	Gear	CNW1187			
44	Gear	CNW2287			
45	Clamper	CNW1190			
46	Arm	CNW1192			
47	Holder	CNW1193			
48	Holder	CNW1194			
49	Damper	CNW1197			

# 12. ELECTRICAL PARTS LIST

**NOTE:**

- Parts whose parts numbers are omitted are subject to being not supplied.
- The part numbers shown below indicate chip components.

Chip Resistor

RS1/○S○○○○J,RS1/○○S○○○○J

Chip Capacitor (except for CQS.....)

CKS....., CCS....., CSZS.....

- The  $\triangle$  mark found on some component parts indicates the importance of the safety factor of the part. Therefore, when replacing, be sure to use parts of identical designation.
- Meaning of the figures and others in the parentheses in the parts list.

Example) IC 301 is on the point (face A, 91 of x-axis, and 111 of y-axis) of the corresponding PC board.

IC 301 (A, 91, 111) IC NJM2068V

- The expression of the unit in this manual is shown by  $\mu$  instead of  $\mu$ . Please do not make a mistake.

<u>Circuit Symbol and No.</u>	<u>Part No.</u>	<u>Circuit Symbol and No.</u>	<u>Part No.</u>
<b>Unit Number : QWM3925</b>		Q 871 (A,151,62) Transistor	2SAR502UB
<b>Unit Name : Tuner Amp Unit</b>		Q 872 (A,150,54) Transistor	LTC143EUB
<b>Unit Number : QWM3960</b>		Q 941 (A,128,108) Transistor	LSCR523UB
<b>Unit Name : Keyboard Unit</b>		Q 1011 (A,98,120) Resistor Built-IN TR	LTC014EEB
<b>Unit Number : CWX4023</b>		D 301 (A,87,128) Diode	CRG03
<b>Unit Name : CD Core Unit (S11.6STD)</b>		D 302 (A,92,128) Diode	CRG03
<b>Unit Number : QWM3995</b>		D 551 (A,24,118) Diode Diode	CMS30130A
<b>Unit Name : BT UNIT</b>		D 552 (A,44,105) Diode	RB056L-40
<b>A</b>		D 601 (A,136,79) Diode	RB751SM-40
<b>Unit Number : QWM3925</b>		D 602 (A,126,63) Diode	RB751SM-40
<b>Unit Name : Tuner Amp Unit</b>		D 751 (A,16,107) Diode	DZ2J082M0
		D 801 (A,108,12) Diode	DZ2S068C
		D 802 (A,93,16) Diode	DZ2S068C
		D 803 (A,125,15) Diode	DZ2S068C
		D 804 (A,119,13) Diode	DZ2S068C
		D 805 (A,121,13) Diode	DZ2S068C
		D 806 (A,117,13) Diode	DZ2S068C
		D 807 (A,114,13) Diode	DZ2S068C
		D 901 (A,138,127) Diode	D1F60-5053
		D 902 (A,135,127) Diode	D1F60-5053
		D 911 (A,159,66) Diode	CRG03
		D 912 (A,162,66) Diode	CRG03
		D 941 (A,129,112) Diode	DZ2J068M0
		D 1011 (A,101,124) Diode	CRG03
		L 202 (A,91,101) Inductor	CTF1793
		L 402 (A,142,93) Inductor	LCTAW150J2520
		L 404 (A,145,108) Inductor	CTF1389
		L 408 (A,154,104) Inductor	LCMAR27J1608
		L 551 (A,52,107) SMD SPL Inductor	CTH1584
		L 801 (A,115,16) Inductor	CTF1713
		L 901 (A,112,141) Choke Coil 600 $\mu$ H	CTH1432
		T 401 (A,151,99) Variable Coil	CTC1215
		X 401 (A,159,85) Crystal Resonator 9.216 MHz	CSS1864
		X 601 (A,128,74) Crystal Resonator 12.0 MHz	CSS1847
		X 603 (A,125,91) Resonator 16.93 MHz	CSS1794
		$\triangle$ P251 (A,6,130) Fuse	CEK1386
		P 402 (A,159,110) Surge Absorber	HSPC16701B02
		P 1002 (A,158,73) Poly Switch	FSMD110-24R
		VA801 (A,107,14) SMD Varistor	MLV0402ES012V0010N
		VA802 (A,102,13) SMD Varistor	MLV0402ES012V0010N
IC 201 (A,99,106) E-VOL SYS LSI	PM9013A		
IC 301 (A,79,141) POower AMP IC	PAL013A		
IC 401 (A,149,87) Tuner IC	TEF6686HN		
IC 451 (A,164,75) Regulator IC	MM3571A33P		
IC 531 (A,93,86) IC	337S3959		
IC 551 (A,42,112) DC/DC CONV IC	KBD9876EFJ		
IC 552 (A,107,24) PO Supply IC	BD2232G-G		
IC 601 (A,112,74) Flash Blank UC IC	R5S726B0D216FP		
IC 602 (A,131,68) IC	TC7SH126FU		
IC 603 (A,137,66) L-MOS And Gate	TC7SET08FUS1		
IC 671 (A,133,74) IC	S-80827CNMC-B8M		
IC 681 (A,115,94) MX25L1633EM2I-10G	QWW3721		
IC 801 (A,105,18) L-MOS And Gate	TC7SET08FUS1		
IC 911 (A,145,28) Regulator IC	BA49183-V12		
Q 251 (A,20,129) Transistor	EMH53		
Q 252 (A,28,129) Transistor	EMH53		
Q 253 (A,13,129) Transistor	EMH53		
Q 301 (A,60,124) Transistor	EMD52		
Q 531 (A,89,94) Transistor	LSAR523UB		
Q 751 (A,14,102) Bipolar TR	KTD2092		
Q 752 (A,10,107) Transistor	EMD52		

1

2

3

4

**Circuit Symbol and No.****Part No.****Circuit Symbol and No.****Part No.**

CN701 (A,114,32) Connector  
 CN801 (A,109,3) Connector  
 CN971 (A,93,49) Connector  
 JA251 (A,19,141) Pin Jack

VKN1192  
 CKS6452  
 VKN1192  
 XKB7001

R 613 (A,125,74)  
 R 614 (A,132,78)  
 R 615 (A,135,77)  
 R 616 (A,124,76)  
 R 617 (A,138,79)

RS1/16SS152J  
 RS1/16SS473J  
 RS1/16SS473J  
 RS1/16SS473J  
 RS1/16SS103J

JA401 (A,162,128) Antenna Jack  
 JA892 (A,43,141) Jack  
 JA901 (A,114,141) Plug  
 JA961 (A,142,143) Connector

YKS5041  
 CKN1103  
 CKM1624  
 CKS3806

R 619 (A,129,81)  
 R 622 (A,122,85)  
 R 623 (A,129,93)  
 R 624 (A,124,89)  
 R 625 (A,116,89)

RS1/16SS473J  
 RS1/16SS473J  
 RAB4CQ473J  
 RS1/16SS222J  
 RS1/16SS221J

**RESISTORS**

R 251 (A,22,127)  
 R 252 (A,20,124)  
 R 253 (A,22,129)  
 R 254 (A,18,125)  
 R 255 (A,31,128)

RS1/16SS821J  
 RS1/16SS821J  
 RS1/16SS223J  
 RS1/16SS223J  
 RS1/16SS821J

R 626 (A,115,89)  
 R 627 (A,114,89)  
 R 628 (A,113,89)  
 R 629 (A,110,91)  
 R 630 (A,109,91)

RS1/16SS221J  
 RS1/16SS221J  
 RS1/16SS221J  
 RS1/16SS221J  
 RS1/16SS221J

R 256 (A,25,127)  
 R 257 (A,30,130)  
 R 258 (A,25,129)  
 R 260 (A,14,125)  
 R 261 (A,11,128)

RS1/16SS821J  
 RS1/16SS223J  
 RS1/16SS223J  
 RS1/16SS821J  
 RS1/16SS821J

R 631 (A,107,92)  
 R 632 (A,108,87)  
 R 633 (A,106,92)  
 R 634 (A,103,90)  
 R 636 (A,100,91)

RS1/16SS473J  
 RS1/16SS473J  
 RS1/16SS101J  
 RS1/16SS102J  
 RS1/16SS473J

R 262 (A,15,126)  
 R 263 (A,11,129)  
 R 264 (A,16,129)  
 R 266 (A,17,128)  
 R 305 (A,59,121)

RS1/16SS223J  
 RS1/16SS223J  
 RS1/16SS0R0J  
 RS1/16SS0R0J  
 RS1/16SS103J

R 637 (A,101,89)  
 R 638 (A,104,92)  
 R 643 (A,98,81)  
 R 644 (A,97,78)  
 R 645 (A,94,79)

RS1/16SS473J  
 RS1/16SS473J  
 RS1/16SS104J  
 RS1/16SS101J  
 RS1/16SS101J

R 306 (A,61,121)  
 R 307 (A,61,122)  
 R 309 (A,84,120)  
 R 401 (A,151,94)  
 R 402 (A,150,94)

RS1/16SS221J  
 RS1/16SS223J  
 RS1/16SS103J  
 RS1/16SS0R0J  
 RS1/16SS0R0J

R 646 (A,124,62)  
 R 647 (A,98,74)  
 R 648 (A,94,76)  
 R 649 (A,94,75)  
 R 650 (A,94,74)

RS1/16SS103J  
 RS1/16SS101J  
 RS1/16SS102J  
 RS1/16SS102J  
 RS1/16SS102J

R 403 (A,140,94)  
 R 404 (A,151,109)  
 R 405 (A,154,109)  
 R 406 (A,152,81)  
 R 407 (A,153,81)

RS1/16SS391J  
 RS1/16SS105J  
 RS1/16SS105J  
 RS1/16SS101J  
 RS1/16SS101J

R 651 (A,91,72)  
 R 652 (A,95,68)  
 R 653 (A,97,65)  
 R 655 (A,116,60)  
 R 656 (A,117,52)

RS1/16SS473J  
 RS1/16SS222J  
 RS1/16SS103J  
 RS1/16SS0R0J  
 RS1/16SS0R0J

R 408 (A,156,81)  
 R 410 (A,155,81)  
 R 437 (A,153,79)  
 R 438 (A,151,79)  
 R 452 (A,165,89)

RS1/16SS103J  
 RS1/16SS103J  
 RS1/16SS472J  
 RS1/16SS472J  
 RS1/16SS0R0J

R 659 (A,125,61)  
 R 660 (A,124,60)  
 R 662 (A,129,66)  
 R 663 (A,141,76)  
 R 664 (A,92,68)

RS1/16SS153J  
 RS1/16SS153J  
 RS1/16SS473J  
 RS1/16SS0R0J  
 RS1/16SS103J

R 454 (A,147,74)  
 R 455 (A,166,88)  
 R 531 (A,90,90)  
 R 532 (A,90,84)  
 R 533 (A,91,84)

RS1/16SS0R0J  
 RS1/16SS0R0J  
 RS1/16SS473J  
 RS1/16SS222J  
 RS1/16SS222J

R 665 (A,124,85)  
 R 667 (A,129,64)  
 R 669 (A,108,61)  
 R 671 (A,131,70)  
 R 681 (A,110,96)

RS1/16SS473J  
 RS1/16SS473J  
 RS1/16SS473J  
 RS1/16SS104J  
 RS1/16SS473J

R 534 (A,94,90)  
 R 535 (A,95,89)  
 R 536 (A,97,89)  
 R 537 (A,95,85)  
 R 538 (A,95,83)

RS1/16SS272J  
 RS1/16SS472J  
 RS1/16SS472J  
 RS1/16SS101J  
 RS1/16SS101J

R 682 (A,111,90)  
 R 683 (A,121,92)  
 R 684 (A,110,94)  
 R 685 (A,121,96)  
 R 701 (A,109,37)

RS1/16SS473J  
 RS1/16SS473J  
 RS1/16SS473J  
 RS1/16SS473J  
 RS1/16SS473J

R 551 (A,48,112)  
 R 552 (A,53,113)  
 R 553 (A,49,113)  
 R 554 (A,49,111)  
 R 555 (A,64,103)

RS1/16SS682J  
 RS1/16SS0R0J  
 RS1/16SS1803D  
 RS1/16SS4302D  
 RS1/10SR471J

R 702 (A,115,37)  
 R 703 (A,118,27)  
 R 704 (A,110,40)  
 R 706 (A,108,36)  
 R 707 (A,108,37)

RS1/16SS104J  
 RAB4CQ472J  
 RS1/16SS104J  
 RS1/16SS221J  
 RS1/16SS221J

R 601 (A,101,63)  
 R 603 (A,111,46)  
 R 609 (A,125,65)  
 R 610 (A,125,67)  
 R 611 (A,129,69)

RS1/16SS473J  
 RS1/16SS473J  
 RS1/16SS473J  
 RS1/16SS473J  
 RS1/16SS473J

R 708 (A,110,37)  
 R 709 (A,111,37)  
 R 710 (A,112,37)  
 R 711 (A,114,38)  
 R 715 (A,117,36)

RS1/16SS101J  
 RS1/16SS221J  
 RS1/16SS101J  
 RS1/16SS102J  
 RAB4CQ151J

1

2

3

4

5		6		7		8	
<u>Circuit Symbol and No.</u>		<u>Part No.</u>		<u>Circuit Symbol and No.</u>		<u>Part No.</u>	
R 718	(A,122,36)	RS1/16SS221J		C 209	(A,90,104) 10 uF	CCG1192	
R 719	(A,121,36)	RS1/16SS104J		C 210	(A,93,106)	CCSSCH151J50	
R 752	(A,14,108)	RS1/4SA391J		C 211	(A,107,106)	CCSSCH151J50	A
R 753	(A,106,40)	RS1/16SS473J		C 212	(A,105,108) 10 uF	CCG1192	
R 754	(A,105,41)	RS1/16SS103J		C 213	(A,106,105)	CKSSYB104K10	
R 801	(A,124,20)	RS1/10SR222J		C 214	(A,106,104)	CKSSYB104K10	
R 803	(A,121,17)	RS1/16SS223J		C 215	(A,105,102)	CKSSYB104K10	
R 804	(A,119,17)	RS1/16SS223J		C 216	(A,88,100) 10 uF	CCG1192	
R 805	(A,121,19)	RS1/10SR101J		C 217	(A,92,100)	CKSSYB104K10	
R 806	(A,118,19)	RS1/10SR101J		C 218	(A,112,109)	XCEVW470M16	
R 807	(A,120,19)	RS1/10SR101J		C 219	(A,110,102) 10 uF	CCG1192	
R 808	(A,124,19)	RS1/10SR222J		C 220	(A,103,98) 10 uF	CCG1192	
R 809	(A,116,20)	RS1/10SR220J		C 223	(A,87,101)	CKSSYB102K50	
R 810	(A,114,20)	RS1/10SR220J		C 224	(A,112,103)	CKSSYB104K10	
R 813	(A,107,15)	RS1/10SR222J		C 229	(A,108,111)	CKSSYB102K50	B
R 814	(A,101,18)	RS1/10SR222J		C 236	(A,107,103)	CKSRYB105K10	
R 815	(A,100,18)	RS1/16SS822J		C 237	(A,92,114)	CKSRYB105K10	
R 816	(A,96,19)	RS1/10SR222J		C 238	(A,107,113)	CKSRYB105K10	
R 817	(A,95,19)	RS1/10SR222J		C 239	(A,105,116)	CKSRYB105K10	
R 819	(A,90,19)	RS1/10SR0R0J		C 240	(A,93,111)	CKSRYB105K10	
R 851	(A,93,19)	RS1/16SS472J		C 241	(A,86,100)	CKSSYB102K50	
R 871	(A,157,66)	RS1/10SR332J		C 251	(A,26,125) 10 uF	DCH1201	
R 872	(A,157,68)	RS1/16SS103J		C 252	(A,22,125) 10 uF	DCH1201	
R 878	(A,124,26)	RS1/10SR473J		C 253	(A,22,128)	CCSSCH101J50	
R 891	(A,58,137)	RS1/16SS102J		C 254	(A,17,126)	CCSSCH101J50	C
R 892	(A,58,136)	RS1/16SS102J		C 255	(A,34,126) 10 uF	DCH1201	
R 911	(A,145,40)	RS1/10SR1R0J		C 256	(A,30,125) 10 uF	DCH1201	
R 912	(A,141,41)	RS1/10SR1R0J		C 257	(A,30,129)	CCSSCH101J50	
R 913	(A,154,42)	RS1/16SS223J		C 258	(A,25,130)	CCSSCH101J50	
R 914	(A,133,41)	RS1/16SS223J		C 260	(A,34,131)	CKSSYB103K16	
R 930	(A,138,122)	RS1/10SR0R0J		C 261	(A,6,132)	CKSSYB104K10	
R 941	(A,126,110)	RS1/16SS223J		C 262	(A,16,123) 10 uF	DCH1201	
R 942	(A,126,111)	RS1/16SS473J		C 263	(A,12,123) 10 uF	DCH1201	
R 943	(A,131,112)	RS1/16SS682J		C 264	(A,15,127)	CCSSCH101J50	
R 944	(A,126,114)	RS1/4SA102J		C 265	(A,11,130)	CCSSCH101J50	
R 961	(A,148,133)	RS1/16SS181J		C 301	(A,69,128)	CKSRYB474K10	D
R 962	(A,145,132)	RS1/16SS223J		C 303	(A,80,128)	CKSRYB474K10	
R 963	(A,145,130)	RS1/16SS181J		C 305	(A,73,128)	CKSRYB474K10	
R 964	(A,145,131)	RS1/16SS223J		C 307	(A,77,128)	CKSRYB474K10	
R 965	(A,143,131)	RAB4CQ102J		C 313	(A,82,129) 2.2 uF	CCG1205	
R 973	(A,90,62)	RS1/16SS222J		C 314	(A,132,125)	CKSRYB104K16	
R 974	(A,98,54)	RS1/16SS101J		C 318	(A,64,130) 10 uF/16 V	DCH1263	
R 975	(A,98,53)	RS1/16SS101J		C 327	(A,63,123)	CKSRYB105K10	
R 976	(A,98,51)	RS1/16SS101J		C 328	(A,52,130) 2.2 uF	CCG1205	
R 1003	(A,140,59)	RS1/16SS473J		C 336	(A,87,125)	CKSRYB104K16	
R 1008	(A,147,66)	RS1/10SR0R0J		C 407	(A,155,92)	CKSSYB103K16	
R 1009	(A,137,58)	RS1/16SS473J		C 409	(A,152,92)	CKSSYB224K6R3	E
R 1011	(A,101,120)	RS1/16SS103J		C 410	(A,152,105)	CCSSCH220J50	
R 1013	(A,101,126)	RS1/4SA102J		C 411	(A,150,105)	CCSSCH331J50	
<b>CAPACITORS</b>				C 414	(A,144,89)	CKSSYB102K50	
C 201	(A,94,115)	CKSRYB105K10		C 420	(A,152,109)	CCSSCH471J50	
C 202	(A,101,115)	CKSRYB105K10		C 422	(A,144,86)	CKSSYB152K50	
C 203	(A,89,115)	CKSRYB105K10		C 425	(A,155,91)	CCSSCH390J50	
C 204	(A,105,114)	CKSRYB105K10		C 428	(A,147,92)	CKSSYB104K10	
C 205	(A,92,115)	CKSRYB105K10		C 430	(A,152,93)	CKSSYB102K50	
C 206	(A,104,112)	CKSRYB105K10		C 434	(A,158,104)	CCSSCH100D50	
C 207	(A,89,108)	CKSSYB104K10		C 442	(A,148,80) 10 uF	DCH1201	
C 208	(A,91,106)	CKSSYB104K10		C 452	(A,160,78)	CKSRYB104K16	F
				C 453	(A,167,71)	CKSRYB105K10	
				C 458	(A,144,81)	CCSSCH102J50	

	1	2	3	4
	<u>Circuit Symbol and No.</u>	<u>Part No.</u>	<u>Circuit Symbol and No.</u>	<u>Part No.</u>
	C 459 (A,154,107)	CKSRYB104K16	C 807 (A,122,14)	CKSRYB105K10
	C 461 (A,154,81)	CCSSCH330J50	C 808 (A,108,18)	CKSRYB104K16
A	C 531 (A,90,89)	CKSSYB104K10	C 809 (A,97,15)	CCSRCH221J50
	C 532 (A,92,89)	CKSSYB104K10	C 810 (A,97,13)	CCSRCH221J50
	C 551 (A,27,111)	XCEVW221M16	C 811 (A,104,19)	CKSSYB104K10
	C 552 (A,35,108)	CKSRYB105K16	C 812 (A,120,25)	CKSSYB104K10
	C 553 (A,37,111)	CKSSYB103K16	C 872 (A,124,27)	CKSRYB105K16
	C 555 (A,47,113)	CKSSYB682K25	C 873 (A,124,24)	CKSRYB105K16
	C 556 (A,65,111)	CEVQW221M6R3	C 891 (A,53,136)	CKSRYB104K16
	C 557 (A,60,112)	CKSRYB105K10	C 892 (A,36,132)	CKSRYB104K16
	C 560 (A,109,21)	CKSRYB105K10	C 893 (A,39,129)	CKSRYB102K50
	C 561 (A,103,23)	CKSRYB105K10	C 894 (A,53,133)	CKSRYB102K50
B	C 564 (A,58,112) 4.7 uF	CCG1201	C 901 (A,130,123) 2 200 uF/16 V	CCH2040
	C 565 (A,37,107) 4.7 uF	CCG1222	C 911 (A,133,119)	CKSRYB104K16
	C 568 (A,64,101) 10 uF	CCG1192	C 912 (A,152,40)	CKSSYB102K50
	C 572 (A,69,121)	CKSRYB104K16	C 913 (A,135,41)	CKSSYB102K50
	C 601 (A,102,61)	CKSSYB104K10	C 914 (A,156,56)	XCEAT102M16
	C 602 (A,110,62)	CKSSYB104K10	C 915 (A,136,41)	CKSRYB104K16
	C 603 (A,113,60)	CKSSYB104K10	C 916 (A,146,43) 10 uF	DCH1201
	C 604 (A,116,59)	CKSSYB104K10	C 917 (A,145,45)	CKSSYB102K50
	C 605 (A,118,60)	CKSSYB104K10	C 919 (A,151,41) 10 uF	DCH1201
	C 606 (A,125,68)	CKSSYB104K10	C 921 (A,130,40) 10 uF	DCH1201
	C 607 (A,127,72)	CCSSCH120J50	C 923 (A,159,40) 10 uF	DCH1201
	C 608 (A,128,76)	CCSSCH120J50	C 926 (A,140,43) 10 uF	DCH1201
C	C 609 (A,125,69)	CKSSYB104K10	C 927 (A,140,41)	CKSSYB102K50
	C 610 (A,125,72)	CKSSYB104K10	C 941 (A,132,112)	CKSRYB104K16
	C 611 (A,124,77)	CKSSYB104K10	C 961 (A,149,130)	CKSRYB105K16
	C 612 (A,125,81)	CKSSYB104K10	C 973 (A,98,52)	CCSSCH470J50
	C 613 (A,124,84)	CKSSYB104K10	C 1011 (A,97,122)	CKSRYB105K16
	C 618 (A,126,89)	CCSSCH120J50		
	C 619 (A,126,94)	CCSSCH120J50		
	C 620 (A,116,87)	CKSSYB104K10		
	C 621 (A,112,87)	CKSSYB104K10		
	C 623 (A,109,88)	CKSSYB104K10		
	C 624 (A,106,87)	CKSSYB104K10		
D	C 625 (A,104,90)	CKSSYB104K10		
	C 626 (A,99,78)	CKSSYB104K10		
	C 627 (A,96,81)	CCSSCH220J50		
	C 628 (A,95,81)	CCSSCH220J50		
	C 629 (A,99,72)	CKSSYB104K10		
	C 630 (A,98,69)	CKSSYB104K10		
	C 631 (A,96,74)	CCSSCH220J50		
	C 634 (A,108,60)	CKSSYB104K10		
	C 635 (A,104,87)	CKSSYB104K10		
	C 636 (A,99,75)	CKSSYB104K10		
	C 637 (A,134,69)	CKSSYB104K10		
E	C 638 (A,136,68)	CKSSYB104K10		
	C 641 (A,105,88)	CKSSYB104K10		
	C 672 (A,127,71) 1 uF	DCH1246		
	C 681 (A,122,96)	CKSSYB104K10		
	C 683 (A,121,93)	CCSSCJ3R0C50		
	C 684 (A,130,98)	CKSSYB104K10		
	C 701 (A,111,40)	CKSSYB103K16		
	C 704 (A,120,38)	CCSSCH100D50		
	C 705 (A,118,38)	CCSSCH100D50		
	C 706 (A,117,38)	CCSSCH100D50		
F	C 752 (A,18,106)	CKSSYB104K10		
	C 753 (A,23,100) 10 uF	DCH1201		
	C 801 (A,124,5)	CCSRCH102J50		
	C 806 (A,125,7)	CKSRYB104K16		
			IC 1801 (B,79,57) Mask UC IC	PDC205A
			IC 1941 (A,154,65) Remote IC	SIR8440B5
			Q 1841 (B,115,39) Bipolar TR	LSCR523UB
			Q 1842 (B,110,58) Bipolar TR	LSCR523UB
			Q 1843 (B,109,47) Bipolar TR	LSCR523UB
			Q 1844 (B,68,21) Bipolar TR	LSCR523UB
			Q 1845 (B,47,48) Bipolar TR	LSCR523UB
			Q 1846 (B,68,31) Bipolar TR	LSCR523UB
			Q 1847 (B,136,40) Bipolar TR	LSCR523UB
			Q 1848 (B,131,58) Bipolar TR	LSCR523UB
			Q 1849 (B,131,49) Bipolar TR	LSCR523UB
			D 1841 (A,161,51) LED	SMLVN6RGB2UK(B)
			D 1842 (A,15,51) LED	SMLVN6RGB2UK(B)
			D 1843 (A,125,22) LED	SMLVN6RGB2UK(B)
			D 1844 (A,146,67) LED	MSL0101RGBU
			D 1845 (A,31,67) LED	MSL0101RGBU
			D 1846 (A,51,22) LED	SMLVN6RGB2UK(B)
			X 1801 (B,66,52) Ceramic Resonator 5.00 MHz	CS1547
			S 1821 (A,66,22) Push Switch	CSG1155
			S 1822 (A,17,92) Push Switch	CSG1155
			S 1823 (A,110,22) Push Switch	CSG1155
			S 1824 (A,65,10) Push Switch	CSG1155
			S 1825 (A,15,37) Push Switch	CSG1155
			S 1826 (A,111,34) Push Switch	CSG1155

**B**  
**Unit Number : QWM3960**  
**Unit Name : Keyboard Unit**

**MISCELLANEOUS**

5			6		
<u>Circuit Symbol and No.</u>			<u>Part No.</u>		
S 1827	(A,111,10)	Push Switch	CSG1155		
S 1828	(A,161,37)	Push Switch	CSG1155		
S 1829	(A,136,45)	Push Switch	CSG1155		
S 1830	(A,101,45)	Push Switch	CSG1155		
S 1831	(A,111,45)	Push Switch	CSG1155		
S 1832	(A,65,45)	Push Switch	CSG1155		
S 1833	(A,75,45)	Push Switch	CSG1155		
S 1834	(A,40,45)	Push Switch	CSG1155		
S 1835	(A,65,34)	Push Switch	CSG1155		
S 1836	(A,88,22)	Encoder	CSD1193		
CN1941	(B,112,10)	Connector	CKS6451		
JA 1901	(A,155,22)	Connector	CKS6443		
JA 1921	(A,152,8)	Jack	CKN1108		
V 1801	(A,37,80)		CAW2044		

**RESISTORS**

R 1801	(B,67,40)	RS1/10SR103J
R 1821	(B,75,31)	RS1/10SR273J
R 1841	(B,111,36)	RS1/10SR222J
R 1842	(B,111,39)	RS1/10SR102J
R 1843	(B,105,57)	RS1/10SR222J
R 1844	(B,105,55)	RS1/10SR102J
R 1845	(B,105,49)	RS1/10SR222J
R 1846	(B,105,46)	RS1/10SR102J
R 1847	(B,111,42)	RS1/10SR470J
R 1849	(B,105,58)	RS1/10SR470J
R 1851	(B,105,51)	RS1/10SR470J
R 1853	(B,63,21)	RS1/10SR222J
R 1854	(B,63,18)	RS1/10SR102J
R 1855	(B,48,41)	RS1/10SR222J
R 1856	(B,46,41)	RS1/10SR102J
R 1857	(B,63,31)	RS1/10SR222J
R 1858	(B,63,29)	RS1/10SR102J
R 1859	(B,63,23)	RS1/10SR470J
R 1861	(B,43,41)	RS1/10SR470J
R 1863	(B,63,34)	RS1/10SR470J
R 1865	(B,131,38)	RS1/10SR222J
R 1866	(B,131,39)	RS1/10SR102J
R 1867	(B,127,55)	RS1/10SR222J
R 1868	(B,131,55)	RS1/10SR102J
R 1869	(B,129,46)	RS1/10SR222J
R 1870	(B,129,44)	RS1/10SR102J
R 1871	(B,131,41)	RS1/10SR470J
R 1873	(B,127,59)	RS1/10SR470J
R 1875	(B,128,50)	RS1/10SR470J
R 1877	(B,138,71)	RS1/10SR101J
R 1878	(B,132,62)	RS1/10SR221J
R 1879	(B,135,71)	RS1/10SR101J
R 1880	(B,20,40)	RS1/10SR101J
R 1881	(B,20,47)	RS1/10SR221J
R 1882	(B,20,43)	RS1/10SR101J
R 1883	(B,51,16)	RS1/10SR101J
R 1884	(B,54,16)	RS1/10SR221J
R 1885	(B,57,16)	RS1/10SR101J
R 1921	(B,131,20)	RS1/10SR0R0J
R 1922	(B,125,19)	RS1/10SR0R0J
R 1923	(B,130,10)	RS1/10SR0R0J
R 1941	(B,85,11)	RS1/10SR222J
R 1942	(B,85,13)	RS1/10SR222J

7			8		
<u>Circuit Symbol and No.</u>			<u>Part No.</u>		
R 1953	(B,162,48)		RS1/10SR101J		

**CAPACITORS**

C 1801	(B,62,40)	CKSRYB105K10
C 1802	(B,64,40)	CKSRYB104K16
C 1803	(B,86,42)	CKSRYB104K16
C 1804	(B,86,45)	CKSRYB104K16
C 1805	(B,86,47)	CKSRYB104K16
C 1901	(B,139,17)	CKSRYB104K16
C 1902	(B,135,17)	CKSRYB104K16
C 1951	(B,162,51) 10 uF	CCG1192



**Unit Number : CWX4023**  
**Unit Name : CD Core Unit (S11.6STD)**

**MISCELLANEOUS**

IC 201	(B,23,37) IC	PE5791A
IC 301	(A,37,11) Driver IC	BD8223EFV
Q 101	(B,11,53) Transistor	2SA1577
Q 102	(B,15,54) Chip Digital Transistor	LTA123JUB
X 201	(B,25,49) Ceramic Resonator 16.934 MHz	CSS1603
S 901	(A,42,53) Spring Switch(HOME)	CSN1080
S 903	(B,21,12) Spring Switch(DSCSNS)	CSN1081
CN101	(A,16,58) Connector	CKS4808
CN701	(A,25,29) Connector	CKS6146

**RESISTORS**

R 101	(B,6,57)	RS1/10SR2R4J
R 102	(B,8,57)	RS1/10SR2R4J
R 103	(B,9,57)	RS1/10SR2R7J
R 108	(B,18,55)	RS1/16SS105J
R 109	(B,12,50)	RS1/16SS222J
R 214	(B,18,28)	RS1/16SS103J
R 215	(B,17,28)	RS1/16SS393J
R 216	(B,12,35)	RS1/16SS122J
R 217	(B,10,32)	RS1/16SS562J
R 218	(B,10,35)	RS1/16SS472J
R 229	(B,12,34)	RS1/16SS471J
R 232	(A,31,54)	RS1/16SS0R0J
R 237	(B,33,45)	RS1/16SS221J
R 240	(B,34,40)	RS1/16SS473J
R 245	(A,34,46)	RS1/16SS104J
R 254	(A,37,56)	RS1/16SS104J
R 260	(B,30,27)	RS1/16SS103J
R 264	(A,22,9)	RS1/16SS102J
R 281	(B,33,38)	RS1/16SS560J
R 282	(B,33,39)	RS1/16SS560J
R 291	(B,33,34)	RS1/16SS560J
R 294	(B,27,48)	RS1/16SS471J
R 303	(A,27,11)	RS1/16SS123J
R 304	(A,28,11)	RS1/16SS123J
R 305	(A,26,9)	RS1/16SS102J
R 306	(A,26,11)	RS1/16SS472J
R 307	(A,25,9)	RS1/16SS102J
R 308	(A,25,11)	RS1/16SS472J
R 309	(A,35,6)	RS1/16SS473J
R 310	(B,30,9)	RS1/16SS472J

1

**Circuit Symbol and No.**

R 311 (B,30,10)  
 R 312 (B,30,11)  
 R 313 (B,30,12)  
 R 701 (A,21,38)  
 R 702 (A,23,38)

R 706 (A,32,42)

**CAPACITORS**

C 104 (B,12,57)  
 C 203 (B,22,47)  
 C 209 (B,28,47)  
 C 210 (B,33,43)  
 C 211 (B,33,41)

C 212 (B,22,28)  
 C 213 (B,18,26)  
 C 214 (B,17,26)  
 C 215 (B,19,28)  
 C 216 (B,12,33)

C 217 (B,10,34)  
 C 218 (B,10,36)  
 C 219 (B,14,34)  
 C 220 (A,18,38)  
 C 221 (B,14,32)

C 222 (B,13,37)  
 C 223 (B,12,42)  
 C 224 (B,13,45)  
 C 225 (B,13,46)  
 C 228 (B,10,33)

C 229 (B,9,40)  
 C 233 (B,32,46)  
 C 236 (B,8,40)  
 C 238 (A,25,44)  
 C 299 (A,26,41)

C 302 (B,28,12)  
 C 303 (B,29,12)  
 C 304 (B,27,12)  
 C 305 (B,26,12)  
 C 306 (A,31,7)

C 307 (A,41,19)  
 C 308 (A,31,15)  
 C 710 (A,34,42)

2

**Part No.**

RS1/16SS472J  
 RS1/16SS472J  
 RS1/16SS472J  
 RS1/16SS101J  
 RS1/16SS101J

RS1/16SS221J

CKSQYB475K6R3  
 CKSSYB104K10  
 CKSRYB104K16  
 CKSSYB104K10  
 CKSSYB104K10

CKSSYB104K10  
 CKSSYB332K50  
 CKSSYB473K16  
 CKSSYB104K10  
 CKSSYB182K50

CCSSCH560J50  
 CCSSCH4ROC50  
 CKSSYB104K10  
 CKSSYB104K10  
 CKSSYB104K10

CKSSYB104K10  
 CCSSCH680J50  
 CCSSCH470J50  
 CKSSYB103K16  
 CCSSCH270J50

CKSSYB104K10  
 CKSSYB103K16  
 CKSSYB104K10  
 CKSRYB104K16  
 CKSSYB104K10

CKSSYB102K50  
 CKSSYB102K50  
 CKSSYB223K16  
 CKSSYB104K10  
 CKSSYB104K10

CKSRYB105K10  
 CKSRYB105K10  
 CKSSYB102K50

3

**Circuit Symbol and No.**

R 39 (A,41,22)  
 R 40 (A,39,22)  
 R 41 (A,38,22)

**CAPACITORS**

C 23 (A,24,39)  
 C 24 (A,6,43)  
 C 26 (A,27,47) 4.7 uF  
 C 29 (A,17,45)  
 C 33 (A,9,53) 4.7 uF

C 34 (A,42,29)  
 C 36 (A,31,40)  
 C 38 (A,15,45) 4.7 uF  
 C 39 (A,6,41) 4.7 uF  
 C 40 (A,12,50)

4

**Part No.**

RS1/16SS221J  
 RS1/16SS221J  
 RS1/16SS221J

XCEVW221M4  
 CKSRYB105K10  
 CCG1212  
 CKSRYB105K10  
 CCG1212

CKSRYB105K10  
 CKSRYB104K16  
 CCG1212  
 CCG1212  
 CKSRYB104K16

**D**

**Unit Number: QWM3995**  
**Unit Name : BT UNIT**

E

**MISCELLANEOUS**

IC 21 (A,8,47) Regulator IC  
 IC 22 (A,20,46) Regulator IC  
 CN21 (A,34,26) B TO B Connector  
 CN23 (A,41,43) Connector  
 BT Module

MM3479A18P  
 MM3411A33N  
 CKS6346  
 CKS3857  
 YWX5052

**RESISTORS**

R 28 (A,42,30)  
 R 29 (A,29,40)  
 R 30 (A,29,37)  
 R 38 (A,42,16)

RS1/16SS222J  
 RS1/16SS102J  
 RS1/16SS102J  
 RS1/16SS0R0J