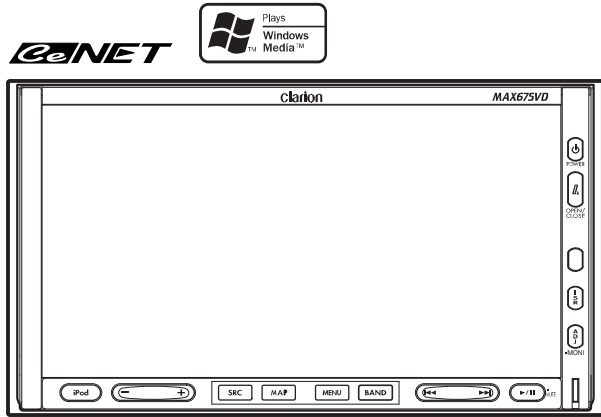


Service Manual



DVD Multimedia Station
 With Touch Panel Control

Model **MAX675VD II**
 (QZ-6070B-B)

ORIGINAL SERVICE MANUAL

This additional service manual is designed to be used together with Original model.

Original model	Manual No.
QZ-6070B-A	298-6393-00

DIFFERENCE FROM ORIGINAL MODEL

1. Additional Steering wheel remote control Circuit.
2. This product is changed of to lead-free correspondence.
3. BLOCK DIAGRAM
4. EXPLODE VIEW / PARTS LIST
5. ELECTRICAL PARTS LIST
6. PRINTED WIRING BOARD
7. CIRCUIT DIAGRAM



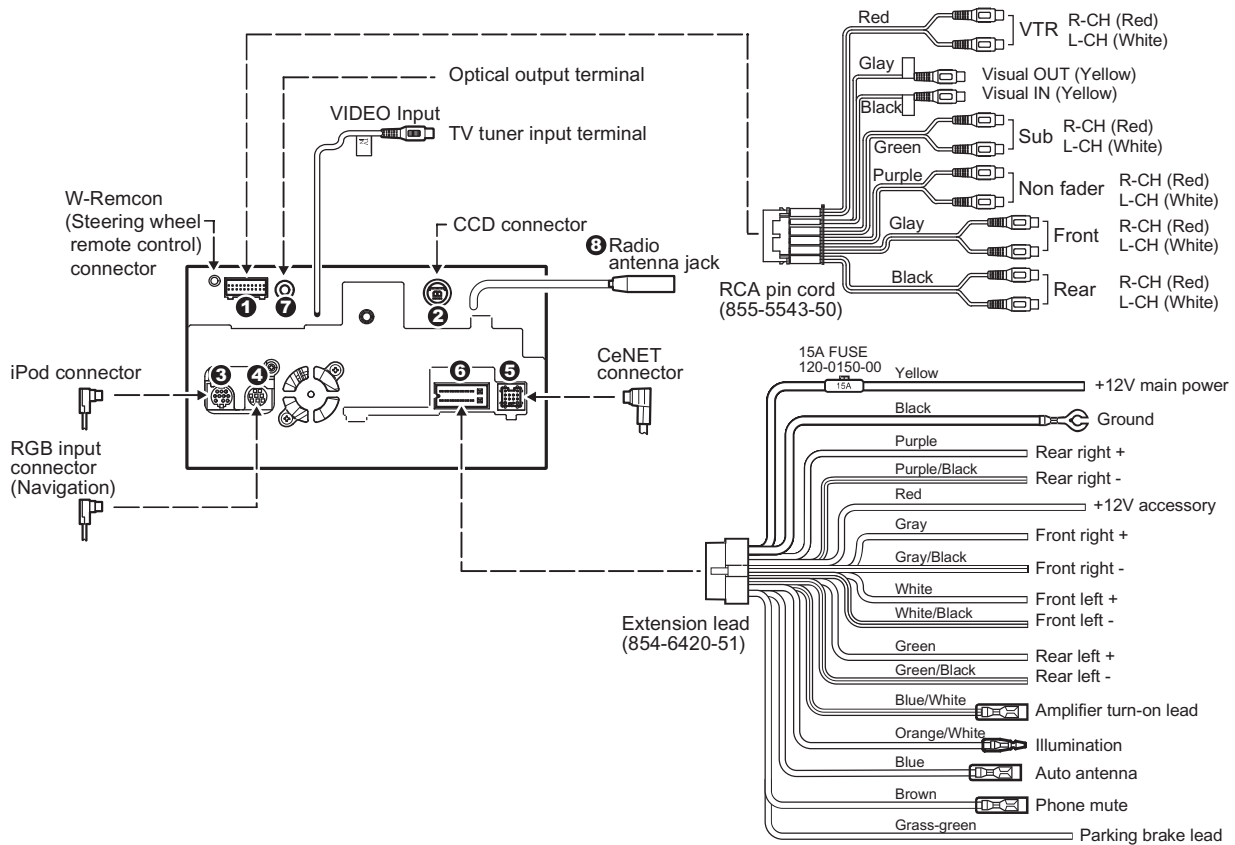
This product is a lead free model.
 Lead free solder is used in PWB stamped LF mark.
 Please keep the following conditions when you repair.

1. Use lead free solder.
 - * Koki's lead free solder S3X-55M 0.6mm (CLARION Parts No.642-0231-01)
 - * Koki's lead free solder S3X-55M 1.0mm (CLARION Parts No.642-0231-02)
2. Use a nitrogen solder system.
3. Do not use "General solder" and "Lead free solder" together.

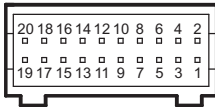
NOTES

- * The tuner of this unit is DSP type. When the tuner pack(880-2091D) is exchanged, it is necessary to adjust for S-meter etc. The special JIG is used for an accurate adjustment.
- * Manufactured under license from Dolby Laboratories. "Dolby" and the double-D symbol are trademarks of Dolby Laboratories.
- * "DTS" is a registered trademark of DTS, Inc. and "DTS Digital Out" is a trademark of DTS, Inc.
- * This product includes technology owned by Microsoft Corporation and cannot be used or distributed without a license from MSLGP.
- * Windows Media™ and Windows® logo are trademarks or registered trademarks of Microsoft Corporation in the United States and/or other countries.
- * iPod® is for legal or rightholder-authorized copying only. Don't steal music. iPod is a trademark of Apple Computer, Inc., registered in the U.S. and other countries.
- * This product incorporates copyright protection technology that is protected by U.S. patents and other intellectual property rights. Use of this copyright protection technology must be authorized by Macrovision, and is intended for home and other limited viewing uses only unless otherwise authorized by Macrovision. Reverse engineering or disassembly is prohibited.
- * We cannot supply PWB with component parts in principle. When a circuit on PWB has failure, please repair it by component parts base. Parts which are not mentioned in service manual are not supplied.
- * Specifications and design are subject to change without notice for further improvement.

WIRE CONNECTION



1 AV Connector



1	REAR(L)	11	SUB(L)
2	REAR(R)	12	SUB(R)
3	FRONT(L)	13	V-OUT-GND
4	FRONT(R)	14	V-GND
5	S-GND	15	V-OUT
6	S-GND	16	VTR-IN
7	NF(L)	17	VTR-SG
8	NF(R)	18	VTR-SG
9	S-GND	19	VTR(L)
10	S-GND	20	VTR(R)

2 CCD Connector



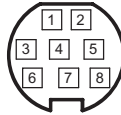
1	SEL2
2	N.C.
3	N.C.
4	V-IN
5	N.C.
6	N.C.
7	V-GND
8	N.C.

3 iPod Connector



1	AUDIO-L
2	AUDIO-R
3	A RETURN
4	ACC IDENT
5	ACC DET
6	IPOD-AV
7	AV-IPOD
8	D/FW GND
9	3.3V
10	F/W-PWR

4 RGB Connector



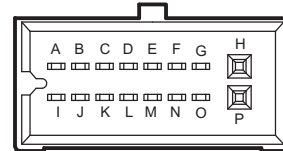
1	NAVI-B
2	NAVI-SYNC
3	NAVI-R
4	N.C.
5	N.C.
6	NAVI-G
7	N.C.
8	N.C.

5 CeNET Connector



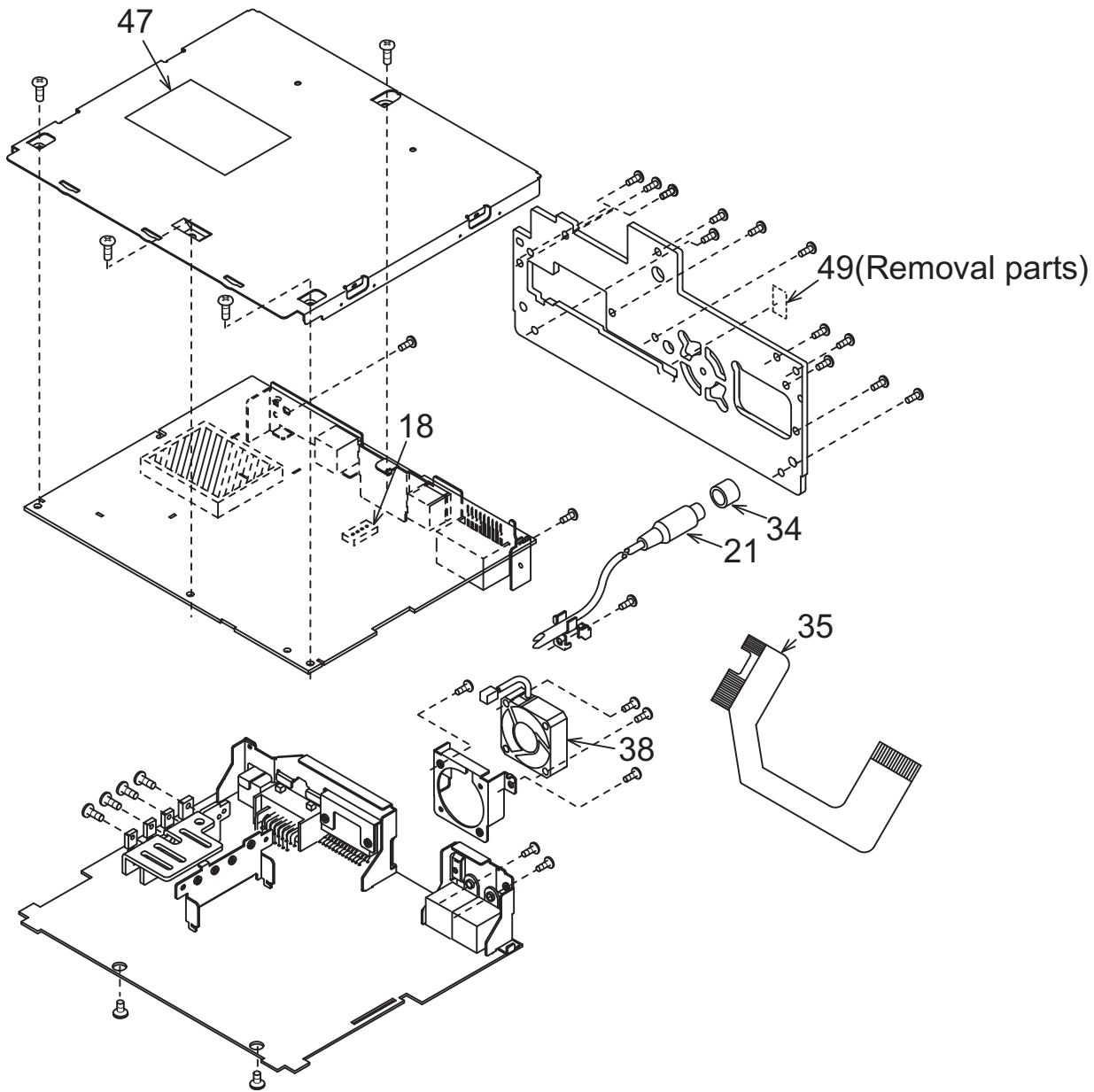
1	GND
2	BUS B/U
3	L-CH(+)
4	NAVI(-)
5	NAVI(+)
6	BUS(+)
7	R-CH(+)
8	R-CH(-)
9	SYS-ACC
10	BUS(-)
11	L-CH(-)
12	ILLUMI
13	N.C.

6 Main Connector



Main connector		
A	REAR L-CH(+)	GRN
B	FRONT L-CH(-)	WHT/BLK
C	FRONT L-CH(+)	WHT
D	FRONT R-CH(+)	GRY
E	FRONT R-CH(-)	GRY/BLK
F	REAR R-CH(+)	PUR
G	REAR R-CH(-)	PUR/BLK
H	BACK UP(15A)	YEL
I	REAR L-CH(-)	GRN/BLK
J	PHONE MUTE	BRN
K	ACC	RED
L	AUTO-ANT	BLU
M	AMP-REM	BLU/WHT
N	ILL	ORN/WHT
O	PKB	L.GRN
P	GND	BLK

Main section



(Refer to page 10,11 of the original service manual.)

The following parts were difference parts.

NO.	PART NO.	DESCRIPTION	Q'TY
18	076-0349-04	PLUG(RCA)	1
21	855-5553-50	RCA PIN CORD	1
34	345-3799-20	RUBBER PARTS	1
35	039-2706-05	FPC	1
47	276-0235-00	SETPLATE	1

The following parts are removal parts.

NO.	PART NO.	DESCRIPTION	Q'TY
49	347-8184-00	COVER-FILM	1

The following parts were updated together with the original model.

NO.	PART NO.	DESCRIPTION	Q'TY
38	020-3052-03	DC-MOTOR	1

DIFFERENCE ELECTRICAL PARTS LIST

(Refer to the original service manual, page 11 to 18.)

Tuner PWB(B1) section

The following parts are difference parts.

REF No.	PART No.	DESCRIPTION	REF No.	PART No.	DESCRIPTION	REF No.	PART No.	DESCRIPTION
C120	166-2201-50	22pF CH	R116	032-0140-80	1/10W 18k ohm F	R127	119-4721-15	1/10W 4.7k ohm
C121	166-2201-50	22pF CH	R117	032-0140-89	1/10W 47k ohm F	R141	119-1031-15	1/10W 10k ohm
C210	042-2273-25	10V 220uF M	R118	032-0140-80	1/10W 18k ohm F	R142	119-8221-15	1/10W 8.2k ohm
C326	042-1737-90	6.3V 1000uF M	R119	032-0140-89	1/10W 47k ohm F	R143	119-8221-15	1/10W 8.2k ohm
P302	076-0349-04	4P	R120	032-0140-80	1/10W 18k ohm F	R144	119-1031-15	1/10W 10k ohm
R106	119-4721-15	1/10W 4.7k ohm	R121	032-0140-89	1/10W 47k ohm F			
R107	119-4721-15	1/10W 4.7k ohm	R122	032-0140-80	1/10W 18k ohm F			
R115	032-0140-89	1/10W 47k ohm F	R125	119-4721-15	1/10W 4.7k ohm			

The following part is removal parts.

REF No.	PART No.	DESCRIPTION	REF No.	PART No.	DESCRIPTION	REF No.	PART No.	DESCRIPTION
C316	178-1052-78	1uF	C340	168-1042-78	16V 0.1uF	R313	119-7501-15	1/10W 75 ohm
C322	178-1052-78	1uF	D311	001-1305-90	DAN217U-T106	R331	119-2211-15	1/10W 220 ohm
C337	163-1063-35	16V 10uF	D312	001-1305-90	DAN217U-T106	R332	119-2211-15	1/10W 220 ohm
C338	163-1063-35	16V 10uF	IC307	051-3927-90	NJM2505F			
C339	163-4763-35	16V 47uF	L302	010-2279-50	4.7uH			

The following parts are added parts.

REF No.	PART No.	DESCRIPTION
J303	075-0339-00	JACK

Main PWB(B3) section

The following parts are updated together with the original model.

REF No.	PART No.	DESCRIPTION
IC500	052-7084-20	uPD70F3339GJ-UEN-A
IC602	052-7079-20	TC58FVM5B3AFTG 65

The following part is removal parts.

REF No.	PART No.	DESCRIPTION
J501	076-0478-55	PLUG

The following parts are added parts.

REF No.	PART No.	DESCRIPTION	REF No.	PART No.	DESCRIPTION	REF No.	PART No.	DESCRIPTION
D500	001-0517-90	1SS355	Q505	125-2026-91	UN5211	R555	119-1031-15	1/10W 10k ohm
Q504	190-1576-00	2SA1576A	R550	119-4721-15	1/10W 4.7k ohm	R562	119-1031-15	1/10W 10k ohm

LCD PWB(B4) section

The following part is removal parts.

REF No.	PART No.	DESCRIPTION	REF No.	PART No.	DESCRIPTION	REF No.	PART No.	DESCRIPTION
C959	178-1052-78	1uF	Q943	190-1576-00	2SA1576A	R960	119-1051-15	1/10W 1M ohm
D904	001-0517-90	1SS355	R958	119-1541-15	1/10W 150k ohm			
D946	001-1315-90	NSM123TL-E	R959	119-1041-15	1/10W 100k ohm			

Switch PWB(B5) section

The following parts are difference parts.

REF No.	PART No.	DESCRIPTION
J1000	074-2013-65	SOCKET(15P)
J1001	074-2013-65	SOCKET(15P)