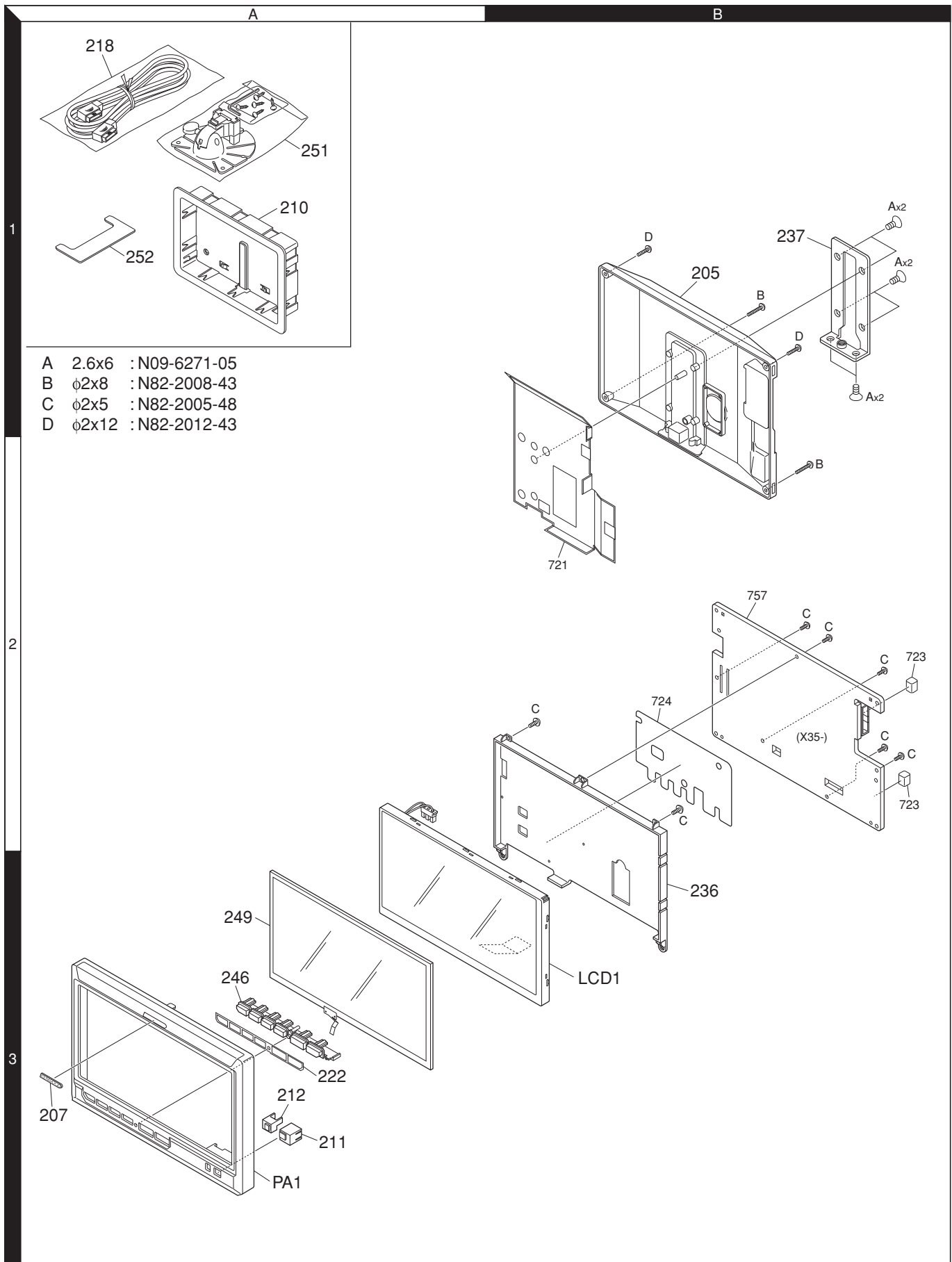


KOS-L702

EXPLODED VIEW



PARTS LIST

* New parts

Parts without **Parts No.** are not supplied.

Les articles non mentionnés dans le **Parts No.** ne sont pas fournis.

Teile ohne **Parts No.** werden nicht geliefert.

Ref. No.	Add	New	Parts No.	Description	Destination	Ref. No.	Add	New	Parts No.	Description	Destination
KOS-L702											
205	1B		A46-1838-11	REAR COVER		C29,30			CK73GB1H104K	CHIP C 0.10UF K	
PA1	3A	*	A64-4105-02	PANEL ASSY		C31			CC73GCH1H681J	CHIP C 680PF J	
-		*	B64-3528-00	INSTRUCTION MANUAL		C32			CK73GB1H104K	CHIP C 0.10UF K	
207	3A		B43-1527-04	BADGE		C33			CC73HCH1H101J	CHIP C 100PF J	
210	1A		B07-3174-01	ESCUTCHEON		C34			CK73FB1A225K	CHIP C 2.2UF K	
211	3A		B10-4721-03	FRONT GLASS		C35			CK73EB1E105K	CHIP C 1.0UF K	
212	3A		B10-4722-03	FRONT GLASS		C36			CK73FB0J106K	CHIP C 10UF K	
LCD1	3B		B38-1186-05	LCD		C37			CK73FB1C105K	CHIP C 1.0UF K	
218	1A	*	E30-6643-15	CORD WITH PLUG (6.5m)		C38			CK73GB1H223K	CHIP C 0.022UF K	
222	3A		F19-1465-03	SHIELDING SHEET		C39,40			CC73GCH1H221J	CHIP C 220PF J	
-		*	H54-3961-03	ITEM CARTON CASE		C41,42			C93-1367-05	CHIP C 10UF K	
236	3B		J19-7131-01	HOLDER		C43			CK73EB1A106K	CHIP C 10UF K	
237	1B		J19-7132-04	HOLDER		C51			CK73GB1H104K	CHIP C 0.10UF K	
246	3A	*	K25-1869-01	PUSH KNOB		C81			CE32CL0J470M	CHIP EL 47UF 6.3WV	
A	1B		N09-6271-05	TAPTITE SCREW (2.6X6)		C101			CK73EB1A106K	CHIP C 10UF K	
B	1B		N82-2008-43	BINDING HEAD TAPTITE SCREW		C104			CE32CL1C470M	CHIP EL 47UF 16WV	
C	2B		N82-2005-48	BINDING HEAD TAPTITE SCREW		C105			CK73GB1H104K	CHIP C 0.10UF K	
D	1B		N82-2012-43	BINDING HEAD TAPTITE SCREW		C107			CK73GB1H104K	CHIP C 0.10UF K	
249	3A		S79-0854-05	SWITCH ASSY		C110			CE32CL1C220M	CHIP EL 22UF 16WV	
251	1A		W01-1621-15	MOUNTING HARDWARE		C111			CK73GB1H102K	CHIP C 1000PF K	
252	1A		W01-1672-04	ACCESSORIES		C112			CK73GB1A105K	CHIP C 1.0UF K	
VIDEO UNIT (X35-4640-61)						C113			CE32BJ1C470M	CHIP EL 47UF 16WV	
C1			CK73HB1E103K	CHIP C 0.010UF K		C114			CK73GB1H104K	CHIP C 0.10UF K	
C2			CE32CL1C100M	CHIP EL 10UF 16WV		C115,116			CK73GB1H102K	CHIP C 1000PF K	
C3			CC73HCH1H100D	CHIP C 10PF D		C118			CK73GB1H103K	CHIP C 0.010UF K	
C4			CK73EB1E225K	CHIP C 2.2UF K		C119			CC73GCH1H221J	CHIP C 220PF J	
C5			CK73HB1H102K	CHIP C 1000PF K		C120			CK73GB1H103K	CHIP C 0.010UF K	
C6			CK73HB1H561K	CHIP C 560PF K		C121			CK73GB1H104K	CHIP C 0.10UF K	
C7			CC73GCH1H102J	CHIP C 1000PF J		C122			CK73GB1H103K	CHIP C 0.010UF K	
C8			CK73EB1E105K	CHIP C 1.0UF K		C124			CK73GB1H103K	CHIP C 0.010UF K	
C9			CK73GB1H104K	CHIP C 0.10UF K		C125			CK73GB1H104K	CHIP C 0.10UF K	
C10			CK73HB1H102K	CHIP C 1000PF K		C126			CK73GB1H103K	CHIP C 0.010UF K	
C11			CC73GCH1H102J	CHIP C 1000PF J		C127			CK73GB1H102K	CHIP C 1000PF K	
C13			CC73HCH1H390J	CHIP C 39PF J		C128			CK73HB1E103K	CHIP C 0.010UF K	
C14			CK73EB1A106K	CHIP C 10UF K		C129			CK73GB1H103K	CHIP C 0.010UF K	
C15			CK73GB1H104K	CHIP C 0.10UF K		C130			CK73GB1A105K	CHIP C 1.0UF K	
C16			CK73HB1H102K	CHIP C 1000PF K		C131			CC73GCH1H821J	CHIP C 820PF J	
C17			CC73HCH1H390J	CHIP C 39PF J		C132			CK73EB1A106K	CHIP C 10UF K	
C18			CK73HB1H102K	CHIP C 1000PF K		C134			CK73GB1H104K	CHIP C 0.10UF K	
C20			CK73GB1H104K	CHIP C 0.10UF K		C135			CK73GB1H682K	CHIP C 6800PF K	
C21			CK73HB1H102K	CHIP C 1000PF K		C136			CK73EB1A106K	CHIP C 10UF K	
C22			CK73GB1H104K	CHIP C 0.10UF K		C138			CK73GB1H104K	CHIP C 0.10UF K	
C23			CC73GCH1H680J	CHIP C 68PF J		C139			CE32CL1C470M	CHIP EL 47UF 16WV	
C24			CK73GB1H104K	CHIP C 0.10UF K		C140			CK73GB1H104K	CHIP C 0.10UF K	
C25,26			CK73HB1H102K	CHIP C 1000PF K		C144-146			CK73GB1A105K	CHIP C 1.0UF K	
C27			CC73GCH1H102J	CHIP C 1000PF J		C148-150			CK73HB1E103K	CHIP C 0.010UF K	
C28			CC73HCH1H101J	CHIP C 100PF J		C151,152			CK73HB1C103K	CHIP C 0.010UF K	
						C200,201			CK73GB1H103K	CHIP C 0.010UF K	
						C202			CK73FB0J106K	CHIP C 10UF K	
						C203-206			CK73GB1H104K	CHIP C 0.10UF K	
						C207			CK73FB0J106K	CHIP C 10UF K	
						C208,209			CK73GB1H103K	CHIP C 0.010UF K	
						C210			CK73FB0J106K	CHIP C 10UF K	
						C211			CK73DF1E106Z	CHIP C 10UF Z	
						C212			CK73FB1E154K	CHIP C 0.15UF K	

E : Europe K : North America M : Other Areas

△ Indicates safety critical components.

KOS-L702

PARTS LIST

VIDEO UNIT (X35-4640-61)

Ref. No.	A d d	N e w	Parts No.	Description	Desti- nation
C213,214			CK73EB1C106K	CHIP C 10UF K	
C215			CK73GB1A334K	CHIP C 0.33UF K	
C216			CK73GB1C224K	CHIP C 0.22UF K	
C217			CC73GCH1H151J	CHIP C 150PF J	
C219			CK73EB1E225K	CHIP C 2.2UF K	
C220			CK73FB1C105K	CHIP C 1.0UF K	
C222			CK73GB1H103K	CHIP C 0.010UF K	
C300			CE32CLOJ101M	CHIP EL 100UF 6.3WV	
C301			CK73HB1E103K	CHIP C 0.010UF K	
C302			CK73HB1H102K	CHIP C 1000PF K	
C303			CE32BM1C100M	CHIP EL 10UF 16WV	
C305			CK73GB1H104K	CHIP C 0.10UF K	
C306,307			CK73HB1H102K	CHIP C 1000PF K	
C308			CK73GB1H104K	CHIP C 0.10UF K	
C309			CC73GCH1H101J	CHIP C 100PF J	
C310,311			CK73GB1H104K	CHIP C 0.10UF K	
C312			CK73GB1H153K	CHIP C 0.015UF K	
C313			CC73HCH1H020C	CHIP C 2.0PF C	
C314			CC73HCH1H101J	CHIP C 100PF J	
C315			CK73GB1H104K	CHIP C 0.10UF K	
C317-320			CC73GCH1H101J	CHIP C 100PF J	
C321-323			CK73HB1E103K	CHIP C 0.010UF K	
C324			CK73GB1H102K	CHIP C 1000PF K	
C325			CK73GB1H103K	CHIP C 0.010UF K	
C326,327			CK73GB1H104K	CHIP C 0.10UF K	
C329			CK73GB1H102K	CHIP C 1000PF K	
C330			CK73HB1H102K	CHIP C 1000PF K	
C400			CE32BM1C100M	CHIP EL 10UF 16WV	
C401			CK73GB1H104K	CHIP C 0.10UF K	
C402			CK73GB1H103K	CHIP C 0.010UF K	
C403			CE32BM1C100M	CHIP EL 10UF 16WV	
C404,405			CK73GB1H103K	CHIP C 0.010UF K	
C406			CK73FB1C105K	CHIP C 1.0UF K	
C407-409			CK73GB1H103K	CHIP C 0.010UF K	
C410			CK73GB1H104K	CHIP C 0.10UF K	
C412			CK73GB1H104K	CHIP C 0.10UF K	
C413			CK73FB1C105K	CHIP C 1.0UF K	
C500			CK73FB1C105K	CHIP C 1.0UF K	
C501			CK73GB1A474K	CHIP C 0.47UF K	
C502			CK73GB1H152K	CHIP C 1500PF K	
C503			CK73GB1A105K	CHIP C 1.0UF K	
C504			CK73GB1A474K	CHIP C 0.47UF K	
C505			CK73GB1H103K	CHIP C 0.010UF K	
C506			CK73EB1E105K	CHIP C 1.0UF K	
C507			C93-1363-05	CHIP C 10PF	
C508			CK73GB1H103K	CHIP C 0.010UF K	
C509			CK73GB1H104K	CHIP C 0.10UF K	
C510			C93-1377-05	CHIP C 4700PF 50WV	
C511			CK73GB1H104K	CHIP C 0.10UF K	
C512			CK73FB1C105K	CHIP C 1.0UF K	
C513-515			CK73GB1H104K	CHIP C 0.10UF K	
C516			CC73GCH1H101J	CHIP C 100PF J	
C517			CC73GCH1H221J	CHIP C 220PF J	
C518			CC73GCH1H101J	CHIP C 100PF J	
C519			CE32BM1C220M	CHIP EL 22UF 16WV	

Ref. No.	A d d	N e w	Parts No.	Description	Desti- nation
C520-522			CK73GB1H104K	CHIP C 0.10UF K	
C523			CK73GB1H102K	CHIP C 1000PF K	
C524			CK73GB1H104K	CHIP C 0.10UF K	
C525			CE32CL1C470M	CHIP EL 47UF 16WV	
C526			CK73GB1H103K	CHIP C 0.010UF K	
C527			CK73GB1H102K	CHIP C 1000PF K	
C528			CE32CLOJ470M	CHIP EL 47UF 6.3WV	
C529			CK73GB1A334K	CHIP C 0.33UF K	
C530			CE32BM1C221M	CHIP EL 220UF 16WV	
C531			CK73GB1A105K	CHIP C 1.0UF K	
C532			CK73FB1C105K	CHIP C 1.0UF K	
C533			CE32BM1C221M	CHIP EL 220UF 16WV	
C534,535			CK73FB1C105K	CHIP C 1.0UF K	
C536			CK73GB1H104K	CHIP C 0.10UF K	
C537			CE32BJ1C470M	CHIP EL 47UF 16WV	
C538,539			CE32BM1C220M	CHIP EL 22UF 16WV	
C547			CK73EB1E105K	CHIP C 1.0UF K	
C548			CE32BJ1C101M	CHIP EL 100UF 16WV	
C549			CE32CL1C470M	CHIP EL 47UF 16WV	
C550-553			CE32BM1C221M	CHIP EL 220UF 16WV	
C824,825			CK73GB1H104K	CHIP C 0.10UF K	
C901			CC73GCH1H221J	CHIP C 220PF J	
C904			C90-5670-05	ELECTRO 2200UF 16WV	
C906			CE32BM1C221M	CHIP EL 220UF 16WV	
C910,911			CE32BM1C221M	CHIP EL 220UF 16WV	
C912			CK73GB1H104K	CHIP C 0.10UF K	
C913			CE32BF1C221M	CHIP EL 220UF 16WV	
C914,915			CK73GB1H104K	CHIP C 0.10UF K	
CN1			E41-2208-05	FLAT CABLE CONNECTOR	
CN200			E41-2088-05	FLAT CABLE CONNECTOR	
CN300			E41-2435-05	FLAT CABLE CONNECTOR	
CN302			E41-2642-05	PIN ASSY	
J900			E58-1035-05	RECTANGULAR RECEPTACLE	
F501			F53-0374-05	FUSE 1.5A	
F901			F53-0374-05	FUSE 1.5A	
F902			F53-0388-05	FUSE 1.25A	
L1-4			L41-1005-33	SMALL FIXED INDUCTOR (10U)	
L5			L41-6895-39	SMALL FIXED INDUCTOR (6.8U,LF)	
L6			L41-8281-15	SMALL FIXED INDUCTOR (0.82U)	
L7,8			L92-0385-05	CHIP FERRITE	
L100			L41-1005-33	SMALL FIXED INDUCTOR (10U)	
L102-104			L41-1005-33	SMALL FIXED INDUCTOR (10U)	
L200			L41-1005-33	SMALL FIXED INDUCTOR (10U)	
L202			L41-3392-13	SMALL FIXED INDUCTOR (3.3UH)	
L203			L41-4792-13	SMALL FIXED INDUCTOR (4.7UH)	
L205,206			L41-3392-13	SMALL FIXED INDUCTOR (3.3UH)	
L207			L41-1005-33	SMALL FIXED INDUCTOR (10U)	
L500		*	L19-0797-05	TRANSFORMER FOR CONVERTER	
L501-503			L33-2258-05	SMALL FIXED INDUCTOR	
L901,902			L33-2258-05	SMALL FIXED INDUCTOR	
L903,904			L92-0365-05	CHIP FERRITE	
L906-909			L92-0365-05	CHIP FERRITE	
L911-914			L92-0385-05	CHIP FERRITE	
L915			L79-0958-05	LINE FILTER	

E : Europe K : North America M : Other Areas

△ Indicates safety critical components.

PARTS LIST

VIDEO UNIT (X35-4640-61)

Ref. No.	Add	New	Parts No.	Description	Destination	Ref. No.	Add	New	Parts No.	Description	Destination
X300			L78-1212-05	RESONATOR (16.00MHZ)		R88,89			RK73HB1J000J	CHIP R 0.0 J 1/16W	
CP300			RK74HB1J101J	CHIP-COM 100 J 1/16W		R98			RK73HB1J221J	CHIP R 220 J 1/16W	
CP301			RK74HB1J103J	CHIP-COM 10K J 1/16W		R100			RK73HB1J101J	CHIP R 100 J 1/16W	
CP302			RK74HB1J101J	CHIP-COM 100 J 1/16W		R101,102			RK73HB1J303J	CHIP R 30K J 1/16W	
CP303			RK74HB1J103J	CHIP-COM 10K J 1/16W		R103			RK73HB1J102J	CHIP R 1.0K J 1/16W	
CP304-309			RK74HB1J101J	CHIP-COM 100 J 1/16W		R110			RK73HB1J103J	CHIP R 10K J 1/16W	
CP310			RK74HB1J103J	CHIP-COM 10K J 1/16W		R111			RK73HB1J473J	CHIP R 47K J 1/16W	
CP313-315			RK74HB1J101J	CHIP-COM 100 J 1/16W		R112			RK73HB1J103J	CHIP R 10K J 1/16W	
CP322			RK74HB1J101J	CHIP-COM 100 J 1/16W		R113			RK73HB1J102J	CHIP R 1.0K J 1/16W	
CP323			RK74HB1J103J	CHIP-COM 10K J 1/16W		R114-116			RK73HB1J750J	CHIP R 75 J 1/16W	
CP325			RK74HB1J103J	CHIP-COM 10K J 1/16W		R117			RK73HB1J271J	CHIP R 270 J 1/16W	
R1			RK73HB1J000J	CHIP R 0.0 J 1/16W		R118,119			RK73GH2A102D	CHIP R 1.0K D 1/10W	
R4,5			RK73HB1J000J	CHIP R 0.0 J 1/16W		R120			RK73GH2A183D	CHIP R 18K D 1/10W	
R8-10			RK73HB1J000J	CHIP R 0.0 J 1/16W		R121			RN73GH1J472D	CHIP R 4.7K D 1/16W	
R17			RK73HB1J101J	CHIP R 100 J 1/16W		R122			RK73HB1J101J	CHIP R 100 J 1/16W	
R18			RK73HB1J621J	CHIP R 620 J 1/16W		R123			RK73HB1J000J	CHIP R 0.0 J 1/16W	
R21,22			RK73HB1J221J	CHIP R 220 J 1/16W		R124,125			RK73GH2A102D	CHIP R 1.0K D 1/10W	
R23			RK73HB1J000J	CHIP R 0.0 J 1/16W		R126			RK73HB1J101J	CHIP R 100 J 1/16W	
R24			RK73HB1J561J	CHIP R 560 J 1/16W		R128			RK73GH2A512D	CHIP R 5.1K D 1/10W	
R25			RK73HB1J103J	CHIP R 10K J 1/16W		R129			RK73GH2A152D	CHIP R 1.5K D 1/10W	
R26			RK73HB1J102J	CHIP R 1.0K J 1/16W		R130			RK73HB1J101J	CHIP R 100 J 1/16W	
R27			RK73HB1J103J	CHIP R 10K J 1/16W		R132			RN73GH1J472D	CHIP R 4.7K D 1/16W	
R28,29			RK73HB1J000J	CHIP R 0.0 J 1/16W		R133			RK73HB1J000J	CHIP R 0.0 J 1/16W	
R30,31			RK73HB1J103J	CHIP R 10K J 1/16W		R134			RN73GH1J222D	CHIP R 2.2K D 1/16W	
R32			RK73HB1J100J	CHIP R 10 J 1/16W		R135,136			RK73HB1J000J	CHIP R 0.0 J 1/16W	
R33			RK73HB1J102J	CHIP R 1.0K J 1/16W		R137,138			RK73GH2A102D	CHIP R 1.0K D 1/10W	
R34			RK73HH1J472D	CHIP R 4.7K D 1/16W		R139			RK73HB1J561J	CHIP R 560 J 1/16W	
R35			RK73GH2A152D	CHIP R 1.5K D 1/10W		R143			RN73GH1J472D	CHIP R 4.7K D 1/16W	
R36			RK73HB1J100J	CHIP R 10 J 1/16W		R145			RK73HB1J102J	CHIP R 1.0K J 1/16W	
R37			RK73HB1J102J	CHIP R 1.0K J 1/16W		R146			RN73GH1J103D	CHIP R 10K D 1/16W	
R38,39			RK73HH1J472D	CHIP R 4.7K D 1/16W		R147			RN73GH1J302D	CHIP R 3.0K D 1/16W	
R40			RK73HB1J102J	CHIP R 1.0K J 1/16W		R149			RK73HB1J105J	CHIP R 1.0M J 1/16W	
R41			RK73HH1J473D	CHIP R 47K D 1/16W		R150			RN73GH1J103D	CHIP R 10K D 1/16W	
R42			RK73HB1J000J	CHIP R 0.0 J 1/16W		R151			RN73GH1J302D	CHIP R 3.0K D 1/16W	
R43			RK73HH1J683D	CHIP R 68K D 1/16W		R152			RK73HB1J102J	CHIP R 1.0K J 1/16W	
R44			RK73HB1J000J	CHIP R 0.0 J 1/16W		R153			RN73GH1J103D	CHIP R 10K D 1/16W	
R45			RK73HH1J153D	CHIP R 15K D 1/16W		R154			RN73GH1J302D	CHIP R 3.0K D 1/16W	
R46			RK73HH1J101D	CHIP R 100 D 1/16W		R160			RK73HB1J000J	CHIP R 0.0 J 1/16W	
R47			RK73HH1J331D	CHIP R 330 D 1/16W		R161			RK73HB1J750J	CHIP R 75 J 1/16W	
R48			RK73HH1J182D	CHIP R 1.8K D 1/16W		R162-165			RK73HB1J000J	CHIP R 0.0 J 1/16W	
R49			RK73HH1J332D	CHIP R 3.3K D 1/16W		R167			RK73HB1J000J	CHIP R 0.0 J 1/16W	
R51			RK73HB1J300J	CHIP R 30 J 1/16W		R170			RK73HB1J510J	CHIP R 51 J 1/16W	
R52-54			RK73HB1J101J	CHIP R 100 J 1/16W		R172			RK73HB1J000J	CHIP R 0.0 J 1/16W	
R55			RK73HH1J153D	CHIP R 15K D 1/16W		R173			RK73HB1J820J	CHIP R 82 J 1/16W	
R56-63			RK73HB1J101J	CHIP R 100 J 1/16W		R174			RK73HB1J000J	CHIP R 0.0 J 1/16W	
R64			RK73HH1J105D	CHIP R 1.0M D 1/16W		R175			RK73HB1J101J	CHIP R 100 J 1/16W	
R65			RK73HH1J683D	CHIP R 68K D 1/16W		R176,177			RK73HB1J000J	CHIP R 0.0 J 1/16W	
R66			RK73GH2A512D	CHIP R 5.1K D 1/10W		R200,201			RK73HB1J333J	CHIP R 33K J 1/16W	
R67			RK73HB1J000J	CHIP R 0.0 J 1/16W		R202-205			RK73EB2E100J	CHIP R 10 J 1/4W	
R68			RK73GH2A512D	CHIP R 5.1K D 1/10W		R206			RK73FB2B000J	CHIP R 0.0 J 1/8W	
R69			RK73GH2A752D	CHIP R 7.5K D 1/10W		R207			RK73GB2A684J	CHIP R 680K J 1/10W	
R70-73			RK73HB1J000J	CHIP R 0.0 J 1/16W		R209			RK73FB2B000J	CHIP R 0.0 J 1/8W	
R74			RK73HB1J221J	CHIP R 220 J 1/16W		R210			RK73GH2A184D	CHIP R 180K D 1/10W	
R75			RK73HB1J000J	CHIP R 0.0 J 1/16W		R211			RK73GH2A133D	CHIP R 13K D 1/10W	
						R212			RK73GH2A104D	CHIP R 100K D 1/10W	

E : Europe K : North America M : Other Areas

△ Indicates safety critical components.

PARTS LIST

VIDEO UNIT (X35-4640-61)

Ref. No.	Add	New	Parts No.	Description	Destination	Ref. No.	Add	New	Parts No.	Description	Destination
R213			RK73GH2A113D	CHIP R 11K D 1/10W		R505,506			RK73GB2A103J	CHIP R 10K J 1/10W	
R214			RK73GB2A473J	CHIP R 47K J 1/10W		R507			RK73GB2A304J	CHIP R 300K J 1/10W	
R226			RK73EB2E000J	CHIP R 0.0 J 1/4W		R508			RK73GB2A222J	CHIP R 2.2K J 1/10W	
R265			RK73HB1J000J	CHIP R 0.0 J 1/16W		R509			RK73GB2A131J	CHIP R 130 J 1/10W	
R297			RK73GB2A223J	CHIP R 22K J 1/10W		R510-512			RK73GB2A104J	CHIP R 100K J 1/10W	
R298			RK73GB2A272J	CHIP R 2.7K J 1/10W		R513			RK73GB2A432J	CHIP R 4.3K J 1/10W	
R300			RK73GB2A101J	CHIP R 100 J 1/10W		R514			RK73GB2A102J	CHIP R 1.0K J 1/10W	
R301			RK73HB1J103J	CHIP R 10K J 1/16W		R516,517			RK73GB2A103J	CHIP R 10K J 1/10W	
R302			RK73HB1J102J	CHIP R 1.0K J 1/16W		R518			RK73GB2A102J	CHIP R 1.0K J 1/10W	
R303			RK73HB1J104J	CHIP R 100K J 1/16W		R519,520			RK73GB2A103J	CHIP R 10K J 1/10W	
R304			RK73HB1J331J	CHIP R 330 J 1/16W		R521			RN73GH1J103D	CHIP R 10K D 1/16W	
R305			RK73HB1J102J	CHIP R 1.0K J 1/16W		R522			RN73GH1J332D	CHIP R 3.3K D 1/16W	
R306,307			RK73HB1J101J	CHIP R 100 J 1/16W		R523,524			RK73GB2A223J	CHIP R 22K J 1/10W	
R308			RK73HB1J332J	CHIP R 3.3K J 1/16W		R525			RK73GB2A472J	CHIP R 4.7K J 1/10W	
R309			RK73HB1J103J	CHIP R 10K J 1/16W		R526			RK73GB2A330J	CHIP R 33 J 1/10W	
R310			RK73HB1J101J	CHIP R 100 J 1/16W		R527			RK73GB2A102J	CHIP R 1.0K J 1/10W	
R312			RK73HB1J332J	CHIP R 3.3K J 1/16W		R528-530			RK73GB2A221J	CHIP R 220 J 1/10W	
R313			RK73GB2A473J	CHIP R 47K J 1/10W		R531			RK73GB2A330J	CHIP R 33 J 1/10W	
R314			RK73HB1J223J	CHIP R 22K J 1/16W		R532			RK73GB2A470J	CHIP R 47 J 1/10W	
R315			RK73HB1J621J	CHIP R 620 J 1/16W		R533			RN73GE1J183D	CHIP R 18K D 1/16W	
R316			RK73HB1J103J	CHIP R 10K J 1/16W		R534			RK73GB2A393J	CHIP R 39K J 1/10W	
R317			RK73HB1J621J	CHIP R 620 J 1/16W		R535			RK73GB2A563J	CHIP R 56K J 1/10W	
R318			RK73HB1J101J	CHIP R 100 J 1/16W		R536			RK73GB2A823J	CHIP R 82K J 1/10W	
R319			RK73HB1J621J	CHIP R 620 J 1/16W		R537			RK73GB2A563J	CHIP R 56K J 1/10W	
R320			RK73HB1J101J	CHIP R 100 J 1/16W		R538,539			RK73EB2E471J	CHIP R 470 J 1/4W	
R324			RK73HB1J101J	CHIP R 100 J 1/16W		R547			RN73GE1J183D	CHIP R 18K D 1/16W	
R326-329			RK73HB1J101J	CHIP R 100 J 1/16W		R548			RN73GH1J332D	CHIP R 3.3K D 1/16W	
R330,331			RK73HB1J103J	CHIP R 10K J 1/16W		R901-906			RK73EB2E101J	CHIP R 100 J 1/4W	
R332,333			RK73HB1J101J	CHIP R 100 J 1/16W		R907,908			RK73FB2B101J	CHIP R 100 J 1/8W	
R335			RK73HB1J103J	CHIP R 10K J 1/16W		R910,911			RK73GB2A000J	CHIP R 0.0 J 1/10W	
R338			RK73HB1J000J	CHIP R 0.0 J 1/16W		R912			RK73FB2B000J	CHIP R 0.0 J 1/8W	
R339			RK73HB1J473J	CHIP R 47K J 1/16W		R924			RK73GB2A000J	CHIP R 0.0 J 1/10W	
R400			RK73GB2A101J	CHIP R 100 J 1/10W		R926			RK73EB2E101J	CHIP R 100 J 1/4W	
R401			RK73FB2B100J	CHIP R 10 J 1/8W		R929			RK73HB1J000J	CHIP R 0.0 J 1/16W	
R403			RK73GB2A180J	CHIP R 18 J 1/10W		R932,933			RK73HB1J000J	CHIP R 0.0 J 1/16W	
R404			RK73GB2A681J	CHIP R 680 J 1/10W		R935			RK73GB2A000J	CHIP R 0.0 J 1/10W	
R405			RK73GB2A101J	CHIP R 100 J 1/10W		R951			RK73EB2E000J	CHIP R 0.0 J 1/4W	
R406			RK73GB2A102J	CHIP R 1.0K J 1/10W		R987			RS14KB3D1R0J	FL-PROOF RS 1.0 J 2W	
R407			RK73GB2A681J	CHIP R 680 J 1/10W		R988,989			RK73GB2A000J	CHIP R 0.0 J 1/10W	
R408			RK73GB2A102J	CHIP R 1.0K J 1/10W		R990,991			RK73EB2E000J	CHIP R 0.0 J 1/4W	
R410			RK73FB2B100J	CHIP R 10 J 1/8W		R993			RK73EB2E000J	CHIP R 0.0 J 1/4W	
R411			RK73GB2A333J	CHIP R 33K J 1/10W		R994			RK73GB2A000J	CHIP R 0.0 J 1/10W	
R412			RK73GB2A681J	CHIP R 680 J 1/10W		VR3			R32-0328-05	SEMI FIXED VARIABLE RESISTOR	
R413			RK73GB2A102J	CHIP R 1.0K J 1/10W		VR100			R32-0328-05	SEMI FIXED VARIABLE RESISTOR	
R414			RK73GB2A473J	CHIP R 47K J 1/10W		VR500			R32-0328-05	SEMI FIXED VARIABLE RESISTOR	
R415			RK73GB2A681J	CHIP R 680 J 1/10W		S400-405			S70-0932-05	TACT SWITCH	
R416			RK73GB2A102J	CHIP R 1.0K J 1/10W		S406			S70-0851-05	TACT SWITCH	
R417			RK73GB2A681J	CHIP R 680 J 1/10W		D2			MA2X335	VARIABLE CAPACITANCE DIODE	
R418			RK73GB2A102J	CHIP R 1.0K J 1/10W		D4			DA204U	DIODE	
R419			RK73GB2A681J	CHIP R 680 J 1/10W		D200-203			UDZS5.1B	ZENER DIODE	
R420,421			RK73GB2A102J	CHIP R 1.0K J 1/10W		D204-207			AVRM1608120M6A	VARIATOR	
R500			RK73PB2H1R0J	CHIP R 1.0 J 1/2W		D208			EP05Q06	DIODE	
R502			RK73GB2A304J	CHIP R 300K J 1/10W		D209-211			EP05Q04	DIODE	
R503			RK73GB2A102J	CHIP R 1.0K J 1/10W		D301,302			DAN202U	DIODE	
R504			RK73GB2A224J	CHIP R 220K J 1/10W							

E : Europe K : North America M : Other Areas

△ Indicates safety critical components.

PARTS LIST

VIDEO UNIT (X35-4640-61)

Ref. No.	Add	New	Parts No.	Description	Destination	Ref. No.	Add	New	Parts No.	Description	Destination
D303			DAP202U	DIODE							
D400			DA204U	DIODE							
D401-406			UDZS5.1B	ZENER DIODE							
D407			DAN202U	DIODE							
D408			UDZS6.8B	ZENER DIODE							
D500,501			EC31QS04AG	DIODE							
D900,901			STZ6.2N	ZENER DIODE							
D902,903			DA204U	DIODE							
D904,905			STZ6.2N	ZENER DIODE							
D906,907			DA204U	DIODE							
D908			STZ6.2N	ZENER DIODE							
D916			1SR154-400	DIODE							
IC1			TC7SH08FU-F	MOS-IC							
IC3			TC200G02G0104	MOS-IC							
IC4			NJM2107F-ZB	ANALOGUE IC							
IC103			RB5P0090M	ANALOGUE IC							
IC104			TC7SET32FU-F	MOS-IC							
IC105			TC7SET08FU-F	MOS-IC							
IC106			TC7SET04FU-F	MOS-IC							
IC200			TC7SH04FU-F	MOS-IC							
IC201			TC7WH123FU-F	MOS-IC							
IC203			LT1947-PBF	ANALOGUE IC							
IC300			S-80830CNNB-G	MOS-IC							
IC301		*	M306VPMGD514F	MICROCONTROLLER IC							
IC302			S-24CS04AFT	ROM IC							
IC303			S-24CS02AFTTBG	ROM IC							
IC304			TC7W53FU-F	MOS-IC							
IC400			RS-171	ANALOGUE IC							
IC401			TPS855	ANALOGUE IC							
IC402			TC7SH08FU-F	MOS-IC							
IC500			MP1015EMC011LF	ANALOGUE IC							
IC501			BA9743AFV	ANALOGUE IC							
IC502			TA58L05F	ANALOGUE IC							
IC503			SI-3033LUSNF	ANALOGUE IC							
IC505			SI-3050KMS	ANALOGUE IC							
IC506			SI-3033LUSNF	ANALOGUE IC							
IC901			TC7SH08FU-F	MOS-IC							
IC902			TC7W08FU-F	MOS-IC							
IC903			TC7WH34FU-F	MOS-IC							
Q1			2SC4097	TRANSISTOR							
Q100			2SC4081	TRANSISTOR							
Q103-106			UMZ1N	TRANSISTOR							
Q200			DTA123JUA	DIGITAL TRANSISTOR							
Q201			DTC123JUA	DIGITAL TRANSISTOR							
Q202			DTA123JUA	DIGITAL TRANSISTOR							
Q203			DTC123JUA	DIGITAL TRANSISTOR							
Q204			DTC124EUA	DIGITAL TRANSISTOR							
Q300			DTA124EUA	DIGITAL TRANSISTOR							
Q301,302			DTC124EUA	DIGITAL TRANSISTOR							
Q303			DTA124EUA	DIGITAL TRANSISTOR							
Q500,501			IMZ4	TRANSISTOR							
Q502,503			2SJ599-Z-E	FET							
Q504			DTA124EUA	DIGITAL TRANSISTOR							
Q505			DTC124EUA	DIGITAL TRANSISTOR							

E : Europe K : North America M : Other Areas

△ Indicates safety critical components.