

9.1 PACKING

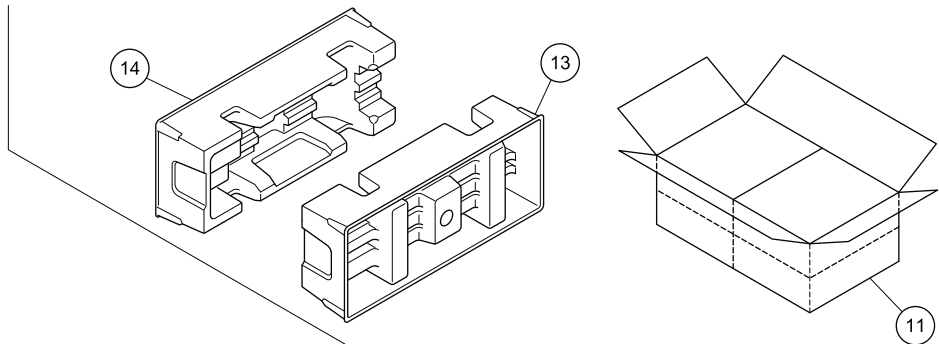
1

2

3

4

A

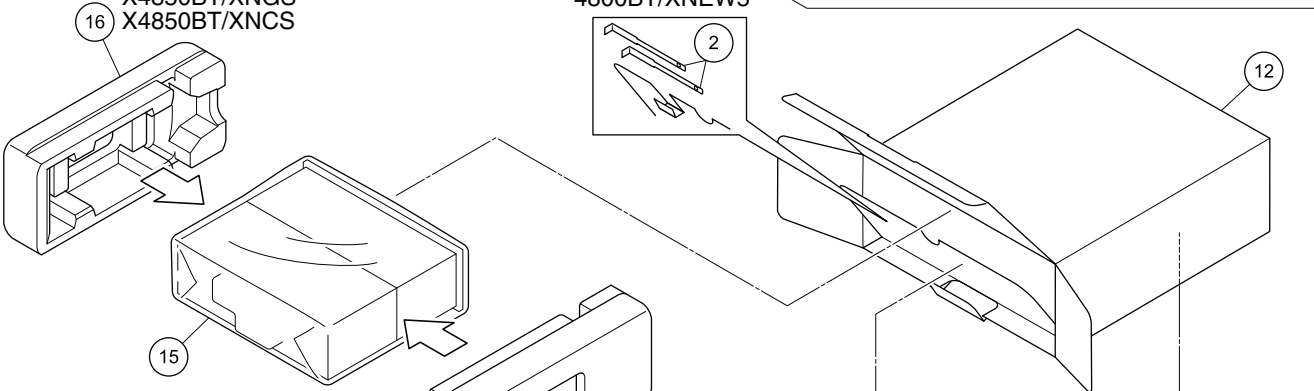


B

X4800BT/XNUC
4800BT/XNEW5
X4890BT/XNID
X4850BT/XNGS
X4850BT/XNCS

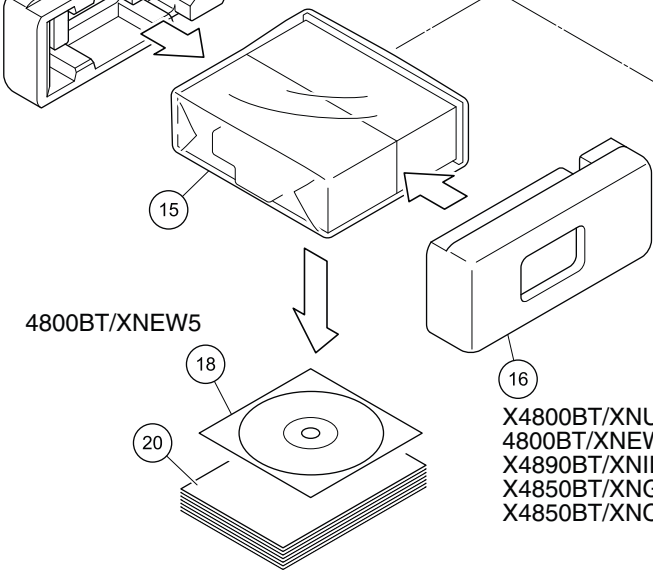
4800BT/XNEW5

X4810BT/XNUC



C

4800BT/XNEW5



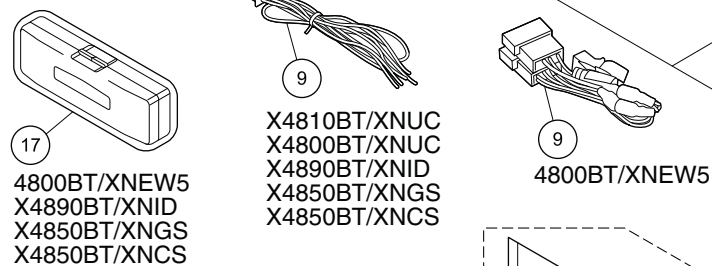
D

X4800BT/XNUC
4800BT/XNEW5
X4890BT/XNID
X4850BT/XNGS
X4850BT/XNCS

X4890BT/XNID

E

X4800BT/XNUC
4800BT/XNEW5
X4890BT/XNID
X4850BT/XNGS
X4850BT/XNCS

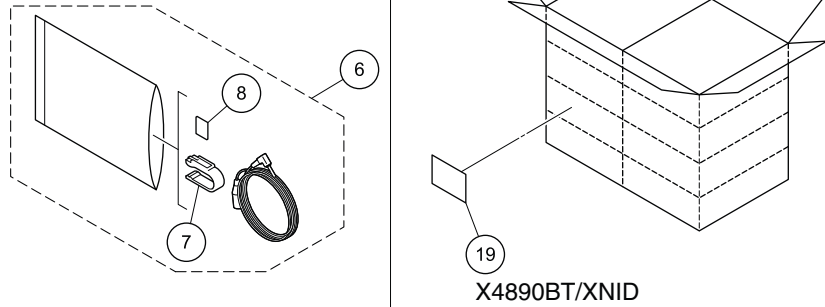


F

X4810BT/XNUC
X4800BT/XNUC
X4890BT/XNID
X4850BT/XNGS
X4850BT/XNCS

X4810BT/XNUC
X4800BT/XNUC

X4810BT/XNUC
X4800BT/XNUC
X4890BT/XNID
X4850BT/XNGS
X4850BT/XNCS



X4890BT/XNID

DEH-X4810BT/XNUC

1

2

3

4

(1) PACKING SECTION PARTS LIST

<u>Mark No.</u>	<u>Description</u>	<u>Part No.</u>	<u>Mark No.</u>	<u>Description</u>	<u>Part No.</u>
1	Accessory Assy	See Contrast table (2)	15	Polyethylene Bag	See Contrast table (2)
2	Handle	QNC3021			
3	Screw	See Contrast table (2)	16	Protector	See Contrast table (2)
4	Screw	See Contrast table (2)	17	Case Assy	See Contrast table (2)
5	Screw	See Contrast table (2)	18	IM CD ROM	See Contrast table (2)
			19	Label	See Contrast table (2)
6	Microphone Assy	CPM1083	20-1	Owner's Manual	See Contrast table (2)
7	Holder	CZN7192			
8	Cushion	CZN7193	*	20-2 Warranty Card	See Contrast table (2)
9	Cord Assy	See Contrast table (2)	*	20-3 Caution Card	See Contrast table (2)
10	Card Remote Control Unit	See Contrast table (2)	*	20-4 Caution Card	See Contrast table (2)
				20-5 Quick Start Guide	See Contrast table (2)
11	Contain Box	See Contrast table (2)		20-6 Installation Manual	See Contrast table (2)
12	Unit Box	See Contrast table (2)			
13	Protector	See Contrast table (2)	*	20-7 Service Network	See Contrast table (2)
14	Protector	See Contrast table (2)			

(2) CONTRAST TABLE

DEH-X4810BT/XNUC, DEH-X4800BT/XNUC, DEH-4800BT/XNEW5, DEH-X4890BT/XNID, DEH-X4850BT/XNGS and DEH-X4850BT/XNCS are constructed the same except for the following:

<u>Mark</u>	<u>No.</u>	<u>Description</u>	<u>DEH-X4810BT/XNUC</u>	<u>DEH-X4800BT/XNUC</u>	<u>DEH-4800BT/XNEW5</u>
	1	Accessory Assy	QEA3337	QEA3337	Not used
	3	Screw	CBA2384	CBA2384	Not used
	4	Screw	CBA2383	CBA2383	Not used
	5	Screw	BPZ20P060FTC	BPZ20P060FTC	Not used
	9	Cord Assy	CDP1480	CDP1480	QDP3071
	10	Card Remote Control Unit	QXE1044	QXE1044	Not used
	11	Contain Box	QHL3809	QHL3784	QHL3783
	12	Unit Box	QHG3809	QHG3784	QHG3783
	13	Protector	CHP4103	Not used	Not used
	14	Protector	CHP4104	Not used	Not used
	15	Polyethylene Bag	CEG1173	CEG1173	QEG3001
	16	Protector	Not used	QHP3046	QHP3046
	17	Case Assy	Not used	Not used	QXA3129
	18	IM CD ROM	Not used	Not used	QPJ3032
	19	Label	Not used	Not used	Not used
	20-1	Owner's Manual	QRD3311	QRD3311	QRB3516
*	20-2	Warranty Card	QRY3001	QRY3001	CRY1376
*	20-3	Caution Card	Not used	Not used	CRP1438
*	20-4	Caution Card	Not used	Not used	CRP1441
	20-5	Quick Start Guide	Not used	Not used	QRD3309
	20-6	Installation Manual	Not used	Not used	QRD3310
*	20-7	Service Network	Not used	Not used	Not used

Mark	No.	Description	DEH-X4890BT/XNID	DEH-X4850BT/XNGS	DEH-X4850BT/XNCS	
A	1	Accessory Assy	QEA3338	QEA3338	QEA3338	
	3	Screw	CBA2384	CBA2384	CBA2384	
	4	Screw	Not used	Not used	Not used	
	5	Screw	Not used	Not used	Not used	
	9	Cord Assy	CDP1480	CDP1480	CDP1480	
	10	Card Remote Control Unit	QXE1044	QXE1044	QXE1044	
	11	Contain Box	QHL3787	QHL3785	QHL3786	
	12	Unit Box	QHG3787	QHG3785	QHG3786	
	13	Protector	Not used	Not used	Not used	
	14	Protector	Not used	Not used	Not used	
	B	15	Polyethylene Bag	QEG3001	QEG3001	QEG3001
		16	Protector	QHP3046	QHP3046	QHP3046
		17	Case Assy	QXA3129	QXA3129	QXA3129
		18	IM CD ROM	Not used	Not used	Not used
19		Label	QAN3399	Not used	Not used	
* 20-1		Owner's Manual	QRB3524	QRD3313	QRD3312	
* 20-2		Warranty Card	CRY1304	Not used	Not used	
* 20-3	Caution Card	Not used	Not used	Not used		
* 20-4	Caution Card	Not used	Not used	Not used		
* 20-5	Quick Start Guide	Not used	Not used	Not used		
* 20-6	Installation Manual	Not used	Not used	Not used		
* 20-7	Service Network	CRY1305	Not used	Not used		

C Owner's Manual, Installation Manual

Part No.	Language
QRD3309	English, French, Italian, Spanish(Espanol), German, Dutch, Russian
QRD3310	English, French, Italian, Spanish(Espanol), German, Dutch, Russian
QRD3311	English, French, Spanish(Espanol)
QRD3312	English, Spanish(Espanol), Portuguese(B)
QRD3313	English, Traditional Chinese, Arabic, Persian
QRB3516	Russian
QRB3524	English

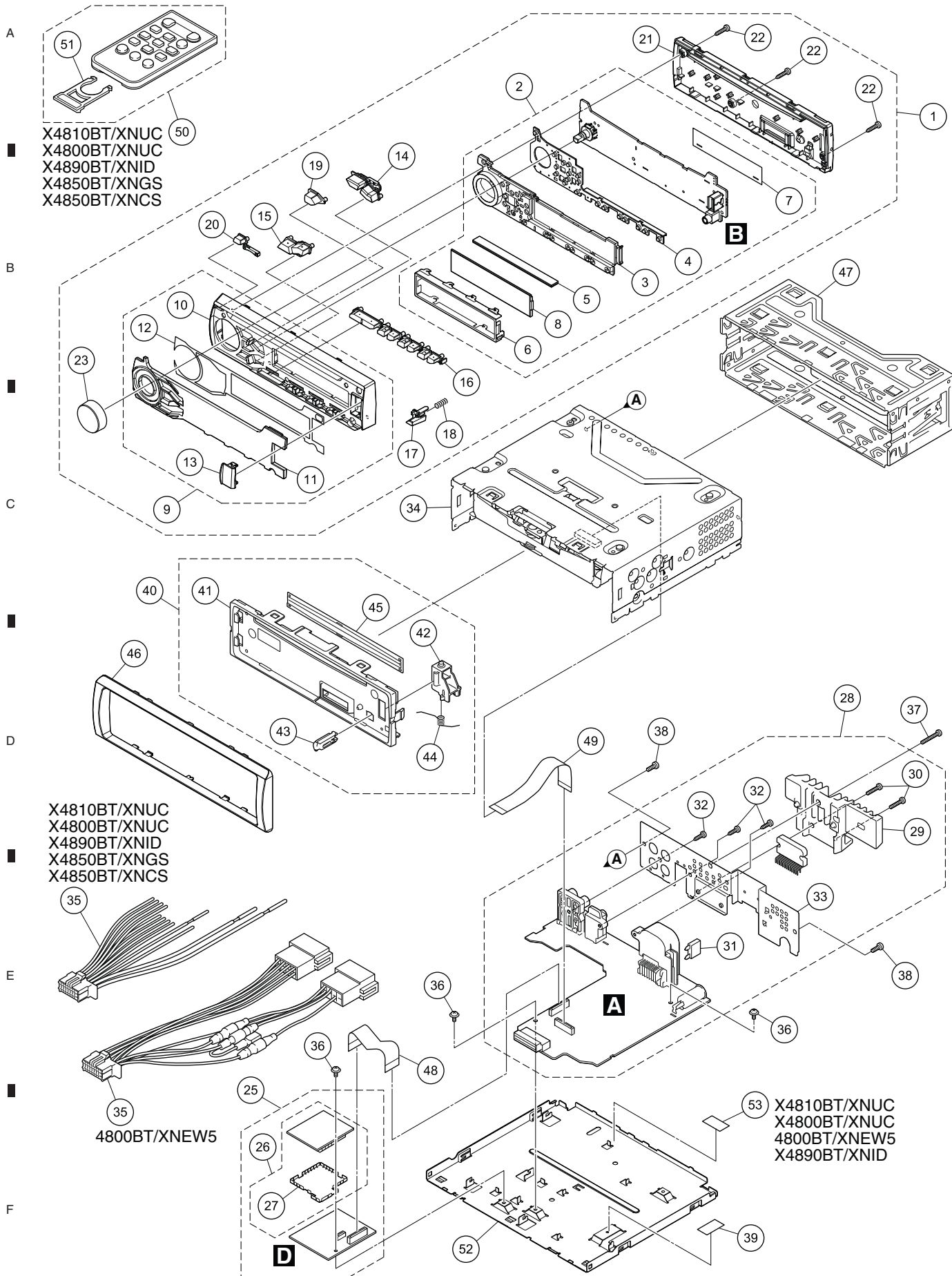
CONTENTS OF CD-ROM (Operation Manual), QPJ3032

Part No.	Language
* QRB3510	English
* QRB3511	French
* QRB3512	Italian
* QRB3513	Spanish(Espanol)
* QRB3514	German
* QRB3515	Dutch
* QRB3516	Russian
* QRB3517	Swedish
* QRB3518	Norwegian
* QRB3519	Finnish
* QRB3520	Danish
* QRB3521	Portuguese
* QRB3522	Greek
* QRB3523	Turkish

All operation manuals are supplied in PDF files by the CD-ROM.

Regarding the availability of paper manual, contact Pioneer Service representative in your region.

9.2 EXTERIOR



DEH-X4810BT/XNUC

(1) EXTERIOR SECTION PARTS LIST

<u>Mark No.</u>	<u>Description</u>	<u>Part No.</u>	<u>Mark No.</u>	<u>Description</u>	<u>Part No.</u>
1	Detach Grille Assy	See Contrast table (2)	28	Tuner Amp Unit	See Contrast table (2)
2	Keyboard Unit	See Contrast table (2)	29	Heat Sink	See Contrast table (2)
3	Lighting Conductor	QNV3114	30	Screw	BSZ26P120FTC
4	Contact Rubber	QNV3115			
5	Rubber Connector	QNV3071	⚠ 31	Fuse (10 A)	YEK5001
			32	Screw	BPZ26P080FTC
6	Holder	QNC3108	33	Holder	See Contrast table (2)
7	Sheet	QNM3138	34	CD Mechanism Module (11.6VA_T07)	CXK5808
8	LCD (V1801)	CAW2056	35	Cord Assy	See Contrast table (2)
9	Grille Unit	See Contrast table (2)			
10	Grille	QNS3888	36	Screw	ASZ26P050FTC
			37	Screw	BSZ26P120FTC
11	Plate	QNS3900	38	Screw	BSZ26P060FTC
12	Double Side Tape	QNM3132	39	Sheet	QNM3135
13	Door	QAT3018	40	Panel Assy	See Contrast table (2)
14	"Button (SRC, LIST)"	QAC3208			
15	"Button (DISP, BACK)"	QAC3209	41	Panel	QNS3126
			42	Arm	QNV3025
16	"Button (TRACK, 1-6)"	QAC3210	43	Button	QNV3026
17	Button (DETACH)	QAC3211	44	Spring	QBH3001
18	Spring	CBH2210	45	Cover	QNM3029
19	Button (HOT KEY)	QAC3212			
20	Button (EJECT)	QAC3207	46	Panel	QNS3568
			47	Holder	QNC3020
21	Cover	QNS3943	48	FFC	QDE3028
22	Screw	BPZ20P100FTC	49	FFC	QDE3029
23	Knob Unit	QXA4414	50	Card Remote Control Unit	See Contrast table (2)
24				
25	BT Unit	QWM4142	51	Cover	See Contrast table (2)
			52	Case	QNB3032
26	BT Module	CWX4770	53	Sheet	See Contrast table (2)
27	Shield Case	YNC5123			

(2) CONTRAST TABLE

DEH-X4810BT/XNUC, DEH-X4800BT/XNUC, DEH-4800BT/XNEW5, DEH-X4890BT/XNID, DEH-X4850BT/XNGS and DEH-X4850BT/XNCS are constructed the same except for the following:

Mark	No.	Description	DEH-X4810BT/XNUC	DEH-X4800BT/XNUC	DEH-4800BT/XNEW5
	1	Detach Grille Assy	QXA4495	QXA4481	QXA4480
	2	Keyboard Unit	QWM4120	QWM4120	QWM4119
	9	Grille Unit	QXA4435	QXA4421	QXA4420
	28	Tuner Amp Unit	QWM4169	QWM4048	QWM4047
	29	Heat Sink	QNR3010	QNR3010	QNR3010
	33	Holder	QNC3053	QNC3053	QNC3054
	35	Cord Assy	CDP1480	CDP1480	QDP3071
	40	Panel Assy	*CXE3802	QXA3261	QXA3261
	50	Card Remote Control Unit	QXE1044	QXE1044	Not used
	51	Cover	CNS7068	CNS7068	Not used
	53	Sheet	QNM3130	QNM3130	QNM3130

Mark	No.	Description	DEH-X4890BT/XNID	DEH-X4850BT/XNGS	DEH-X4850BT/XNCS
A	1	Detach Grille Assy	QXA4484	QXA4482	QXA4482
	2	Keyboard Unit	QWM4120	QWM4120	QWM4120
	9	Grille Unit	QXA4424	QXA4422	QXA4422
	28	Tuner Amp Unit	QWM4051	QWM4050	QWM4049
	29	Heat Sink	QNR3002	QNR3002	QNR3010
	33	Holder	QNC3053	QNC3053	QNC3053
	35	Cord Assy	CDP1480	CDP1480	CDP1480
	40	Panel Assy	QXA3261	QXA3261	QXA3261
	50	Card Remote Control Unit	QXE1044	QXE1044	QXE1044
	51	Cover	CNS7068	CNS7068	CNS7068
	53	Sheet	QNM3130	Not used	Not used

B

C

D

E

F

9.3 CD MECHANISM MODULE

A

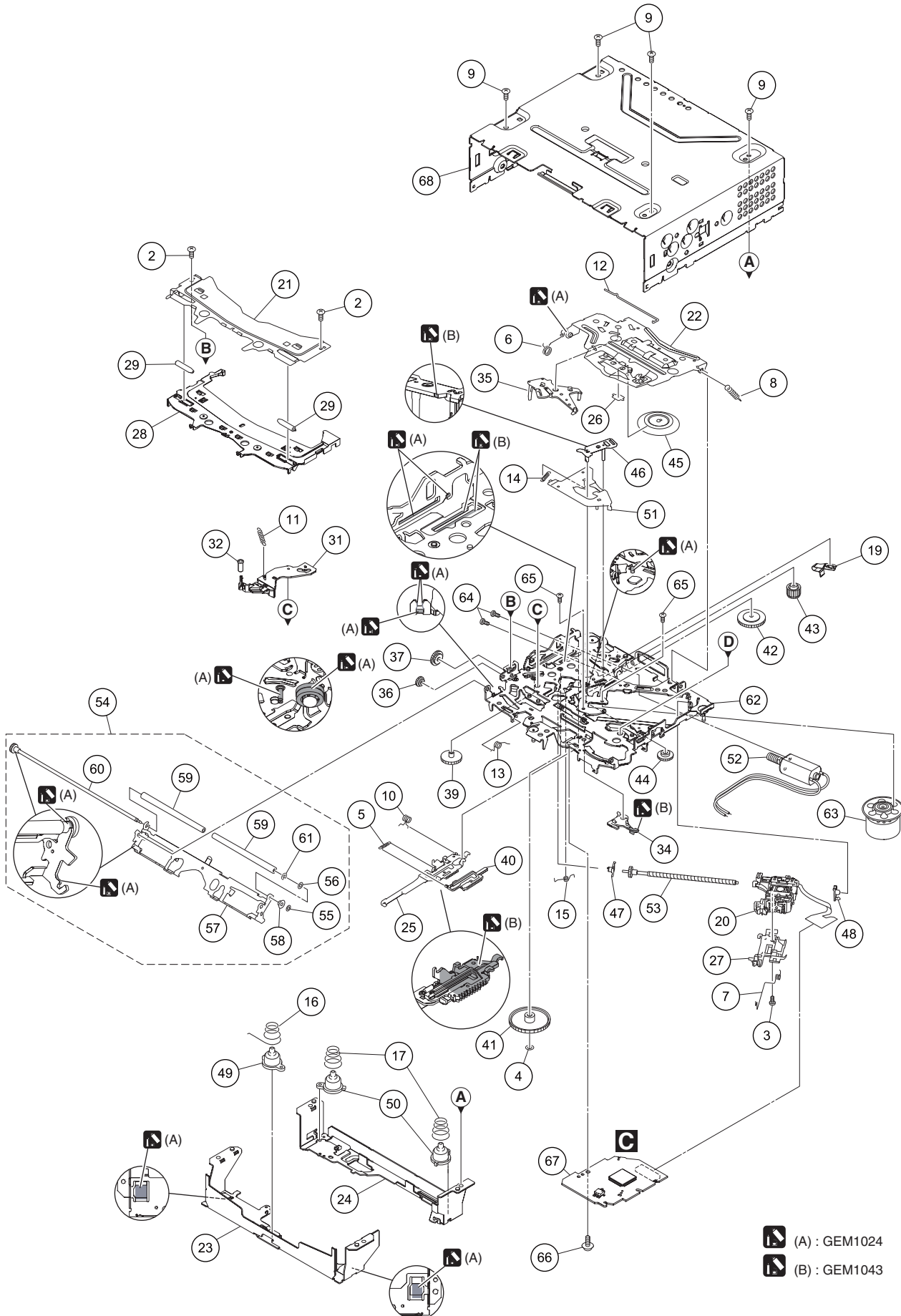
B

C

D

E

F



(A) : GEM1024
 (B) : GEM1043

CD MECHANISM MODULE SECTION PARTS LIST

<u>Mark No.</u>	<u>Description</u>	<u>Part No.</u>	<u>Mark No.</u>	<u>Description</u>	<u>Part No.</u>
1		50	Damper	CNW1198
2	Screw	BSZ20P040FTC	51	Arm	CNW1726
3	Screw(M2 x 4)	CBA1835	52	Motor Unit(M2)(LOAD/CRG)	CXC4026
4	Washer	CBF1038	53	Screw Unit	CXC8894
5	Spring	CBH3010	54	Arm Assy	CXE6232
6	Spring	CBH2855	55	Washer	CBF1037
7	Spring	CBH2856	56	Washer	CBF1038
8	Spring	CBH2860	57	Arm	CND6242
9	Screw	BSZ26P060FTC	58	Collar	CNW2444
10	Spring	CBH3011	59	Roller	CNW2500
11	Coil Spring	CBH3095	60	Gear Unit	CXE6225
12	Spring	CBH3014	61	Washer	YE15FTC
13	Spring	CBH3015	62	Chassis Unit	CXE4528
14	Spring	CBH3016	63	Motor Unit(M1)(SPDL)	CXE2273
15	Spring	CBH3017	64	Screw	JFZ20P025FTC
16	Spring	CBH3086	65	Screw	JGZ17P022FTC
17	Spring	CBH3019	66	Screw	EBA1028
18		67	CD Core Unit (S11.6VA)	CWX4269
19	Leaf Spring	CBL1824	68	Chassis	CNA3373
20	PU Unit(P11)(Service)	CXX4754			
21	Bracket	CND4553			
22	Arm	CND6406			
23	Bracket	CND6127			
24	Bracket	CND5710			
25	Lever	CND5398			
26	Sheet	CNN3678			
27	Rack	CNV8342			
28	Guide	CNW2240			
29	Roller	CNW1172			
30				
31	Arm	CNW2241			
32	Roller	CNW1175			
33				
34	Arm	CNW1177			
35	Arm	CNW1178			
36	Gear	CNW1180			
37	Gear	CNW1181			
38				
39	Gear	CNW1183			
40	Rack	CNW1184			
41	Gear	CNW1185			
42	Gear	CNW1186			
43	Gear	CNW1187			
44	Gear	CNW2287			
45	Clamper	CNW1190			
46	Arm	CNW1192			
47	Holder	CNW1193			
48	Holder	CNW1194			
49	Damper	CNW1197			

12. ELECTRICAL PARTS LIST

NOTE:

- Parts whose parts numbers are omitted are subject to being not supplied.
- The part numbers shown below indicate chip components.

Chip Resistor

RS1/○S○○○○J,RS1/○○S○○○○J

Chip Capacitor (except for CQS.....)

CKS....., CCS....., CSZS.....

- The \triangle mark found on some component parts indicates the importance of the safety factor of the part. Therefore, when replacing, be sure to use parts of identical designation.
- Meaning of the figures and others in the parentheses in the parts list.
Example) IC 301 is on the point (face A, 91 of x-axis, and 111 of y-axis) of the corresponding PC board.

IC 301 (A, 91, 111) IC NJM2068V

- The expression of the unit in this manual is shown by μ instead of μ . Please do not make a mistake.

<u>Circuit Symbol and No.</u>	<u>Part No.</u>
A:DEH-X4810BT/XNUC	
B:DEH-X4800BT/XNUC	
C:DEH-4800BT/XNEW5	
D:DEH-X4890BT/XNID	
E:DEH-X4850BT/XNGS	
F:DEH-X4850BT/XNCS	
Unit Number : QWM4169(A)	
Unit Number : QWM4048(B)	
Unit Number : QWM4047(C)	
Unit Number : QWM4051(D)	
Unit Number : QWM4050(E)	
Unit Number : QWM4049(F)	
Unit Name : Tuner Amp Unit	
Unit Number : QWM4120(A,B,D,E,F)	
Unit Number : QWM4119(C)	
Unit Name : Keyboard Unit	
Unit Number : CWX4269	
Unit Name : CD Core Unit(S11.6VA)	
Unit Number : QWM4142	
Unit Name : BT Unit	

A

Unit Number : QWM4169(A)
Unit Number : QWM4048(B)
Unit Number : QWM4047(C)
Unit Number : QWM4051(D)
Unit Number : QWM4050(E)
Unit Number : QWM4049(F)
Unit Name : Tuner Amp Unit

<u>Circuit Symbol and No.</u>	<u>Part No.</u>
MISCELLANEOUS	
IC 151 (A,152,46) PO Supply IC	BD49101EFS
IC 351 (A,112,77) Flash Blank UC IC	R5S726A0D216FP
IC 361 (A,133,75) IC	S-80827CNMC-B8M
IC 371 (A,116,94) FlashRom Unit	QWW3786
IC 501 (A,95,85) IC	337S3959
IC 551 (A,103,107) E-VOL SYS LSI	PM9013A
IC 601 (A,147,86) Tuner IC	TEF6686HN
IC 801 (A,107,16) L-MOS And Gate	TC7SET08FUS1
IC 851 (A,80,142) Power AMP IC(A,B,C,D)	PAL013A
(A,80,142) Power AMP IC(E,F)	PA2032A
Q 111 (A,98,122) Bipolar TR	LSCR523UB
Q 151 (A,144,33) FET	SSM3J332R
Q 301 (A,105,24) Transistor	2SAR502UB
Q 302 (A,98,33) Transistor	2SCR514PGZE
Q 303 (A,101,28) Transistor	LTC143EUB
Q 501 (A,96,93) Bipolar TR	LSAR523UB
Q 751 (A,16,129) Transistor(A,B,D,E,F)	EMH53
Q 752 (A,24,130) Transistor	EMH53
Q 781 (A,95,96) Bipolar TR(D,E)	EMD53
Q 901 (A,88,127) Transistor	EMD52
D 101 (A,143,127) Diode	D1F60-5053
D 102 (A,139,127) Diode	D1F60-5053
D 111 (A,95,125) Diode(A,B,D,E,F)	DZ2J068M0
(A,95,125) Diode(C)	DZ2J075M0
D 152 (A,153,70) Diode	CRG03
D 153 (A,144,50) Diode	RB162M-40
D 156 (A,147,32) Diode	RB056L-40
D 157 (A,146,63) Diode	CMS30I30A
D 158 (A,162,63) Diode	CRG03
D 252 (A,102,39) Diode	CRG03
D 301 (A,108,25) Diode	DZ2J100M0
D 351 (A,132,82) Diode	RB751SM-40
D 352 (A,134,70) Diode	RB751SM-40
D 802 (A,94,17) Diode	DZ2S068C
D 803 (A,130,14) Diode	DZ2S068C
D 804 (A,121,14) Diode	DZ2S068C
D 805 (A,122,14) Diode	DZ2S068C

	1	2	3	4
	<u>Circuit Symbol and No.</u>	<u>Part No.</u>	<u>Circuit Symbol and No.</u>	<u>Part No.</u>
	D 806 (A,119,14) Diode	DZ2S068C	R 176 (A,106,44)	RS1/16SS103J
	D 807 (A,116,14) Diode	DZ2S068C	R 177 (A,156,35)	RS1/16SS273J
	D 911 (A,104,127) Diode	CRG03	R 178 (A,161,36)	RS1/16SS1003D
A	D 912 (A,106,127) Diode(A,B,C,D)	CRG03	R 179 (A,162,38)	RS1/16SS7503D
	L 101 (A,114,141) Choke Coil	CTH1620		
	L 151 (A,136,47) SMD SPL Inductor	CTH1521	R 180 (A,163,38)	RS1/16SS1603D
	L 152 (A,152,27) SMD SPL Inductor	CTH1584	R 182 (A,161,40)	RS1/16SS820J
	L 552 (A,96,102) Inductor	CTF1793	R 184 (A,161,42)	RS1/16SS682J
	L 602 (A,143,106) Inductor(A,B,C,F)	CTF1389	R 185 (A,159,34)	RS1/16SS102J
	L 603 (A,140,96) Chip Coil(D,E)	LCTAWR27J2520	R 187 (A,157,33)	RS1/16SS1203D
	L 604 (A,141,92) Chip Coil(D,E)	LCTAW3R3J2520	R 188 (A,155,33)	RS1/16SS1802D
	L 605 (A,139,92) Inductor(A,B,C,F)	LCYC150K1608	R 189 (A,145,57)	RS1/16SS6802D
	L 606 (A,147,78) Inductor(A,B,D,E)	CTF1786	R 190 (A,143,57)	RS1/16SS3903D
	L 610 (A,152,104) Inductor	LCMAR27J1608	R 251 (A,100,55)	RS1/16SS101J
B	L 611 (A,143,104) Inductor(D,E)	ATL7033	R 252 (A,100,54)	RS1/16SS101J
	L 613 (A,159,81) Inductor(D,E)	CTF1786	R 253 (A,100,52)	RS1/16SS101J
	L 701 (A,125,26) Inductor	CTF1389	R 256 (A,92,62)	RS1/16SS222J
	L 801 (A,117,14) Inductor	CTF1713	R 301 (A,107,19)	RS1/10SR473J
	T 601 (A,148,97) Variable Coil	CTC1215	R 303 (A,102,25)	RS1/16SS103J
	X 351 (A,129,76) Crystal Resonator 12.0 MHz	CSS1847	R 304 (A,104,26)	RS1/16SS272J
	X 353 (A,125,92) Resonator 16.93 MHz	CSS1794	R 305 (A,99,27)	RS1/16SS473J
	X 601 (A,157,86) Crystal Resonator	CSS1867	R 308 (A,113,26)	RS1/10SR102J
	P 601 (A,157,109) Surge Absorber	IMSA-6803-01Y900	R 354 (A,111,62)	RS1/16SS473J
	△P753 (A,9,131) Fuse 3.0 A	CEK1404	R 355 (A,133,63)	RS1/16SS103J
	VA801 (A,107,13) SMD Varistor	MLV0402ES012V0010N	R 357 (A,128,69)	RS1/16SS473J
C	VA802 (A,103,14) SMD Varistor	MLV0402ES012V0010N	R 359 (A,115,63)	RS1/16SS0R0J
	CN251 (A,95,49) Connector	VKN1192	R 360 (A,116,66)	RS1/16SS0R0J
	CN701 (A,116,32) Connector	VKN1192	R 364 (A,129,70)	RS1/16SS104J
	CN801 (A,111,4) Connector	CKS6452	R 368 (A,123,69)	RS1/16SS102J
	JA101 (A,115,141) Plug	CKM1624	R 369 (A,124,64)	RS1/16SS473J
	JA601 (A,160,129) Antenna Jack	YKS5041	R 370 (A,124,66)	RS1/16SS473J
	JA751 (A,21,141) Jack(A,B,D,E,F)	CKB1109	R 371 (A,127,68)	RS1/16SS473J
	(A,21,141) Jack(C)	CKB1115	R 373 (A,124,76)	RS1/16SS152J
	JA781 (A,44,141) Jack	CKN1103	R 374 (A,125,62)	RS1/16SS153J
	△ Fuse 10 A	YEK5001	R 375 (A,125,61)	RS1/16SS153J
D	<u>RESISTORS</u>		R 376 (A,124,79)	RS1/16SS473J
	R 111 (A,95,122)	RS1/16SS223J	R 377 (A,135,72)	RS1/16SS103J
	R 112 (A,96,122)	RS1/16SS473J	R 378 (A,127,82) (B,C,D)	RS1/16SS473J
	R 113 (A,97,125) (A,B,D,E,F)	RS1/16SS682J	(A,127,82) (E)	RS1/16SS103J
	(A,97,125) (C)	RS1/16SS333J	R 379 (A,128,82) (A,E,F)	RS1/16SS473J
	R 114 (A,101,123) (A,B,D,E,F)	RS1/4SA102J	(A,128,82) (D)	RS1/16SS103J
	(A,101,123) (C)	RS1/4SA122J	R 380 (A,133,82)	RS1/16SS103J
	R 151 (A,146,56)	RS1/16SS8202D	R 383 (A,122,89)	RS1/16SS222J
	R 156 (A,138,41)	RS1/16SS102J	R 384 (A,127,87)	RS1/16SS473J
	R 158 (A,137,41)	RS1/16SS2403D	R 385 (A,132,85)	RAB4CQ473J
	R 159 (A,139,39)	RS1/16SS7502D	R 386 (A,122,93)	RS1/16SS473J
E	R 160 (A,143,46)	RS1/16SS753J	R 387 (A,122,96)	RS1/16SS473J
	R 161 (A,145,43)	RS1/16SS4703D	R 388 (A,111,94)	RS1/16SS473J
	R 162 (A,143,43)	RS1/16SS4303D	R 389 (A,112,91)	RS1/16SS473J
	R 163 (A,136,26)	RS1/16SS3903D	R 390 (A,111,97)	RS1/16SS473J
	R 164 (A,136,24)	RS1/16SS6202D	R 391 (A,115,90)	RS1/16SS221J
	R 165 (A,141,32) 30 ohm	CCN1401	R 392 (A,114,90)	RS1/16SS221J
	R 167 (A,159,56)	RS1/16SS102J	R 393 (A,114,88)	RS1/16SS221J
	R 168 (A,160,54)	RS1/16SS102J	R 394 (A,113,91)	RS1/16SS221J
	R 169 (A,160,56)	RS1/16SS102J	R 395 (A,111,92)	RS1/16SS221J
	R 172 (A,160,49)	RS1/16SS393J	R 396 (A,112,89)	RS1/16SS221J
F	R 173 (A,164,50)	RS1/16SS4703D	R 397 (A,110,92)	RS1/16SS473J
	R 174 (A,163,48)	RS1/16SS1503D	R 398 (A,107,91)	RS1/16SS473J
	R 175 (A,108,44)	RS1/16SS393J	R 399 (A,109,90)	RS1/16SS101J
			R 400 (A,94,65)	RS1/16SS473J
			R 401 (A,105,89)	RS1/16SS102J
			R 402 (A,106,92)	RS1/16SS473J

5		6		7		8	
<u>Circuit Symbol and No.</u>		<u>Part No.</u>		<u>Circuit Symbol and No.</u>		<u>Part No.</u>	
R 403	(A,101,92)	RS1/16SS473J		R 755	(A,27,126)	RS1/16SS821J	
R 404	(A,103,88)	RS1/16SS473J		R 756	(A,21,125)	RS1/16SS821J	
R 409	(A,100,82)	RS1/16SS472J		R 757	(A,26,129)	RS1/16SS223J	
R 411	(A,104,60)	RS1/16SS472J		R 758	(A,22,127)	RS1/16SS223J	
R 412	(A,96,80)	RS1/16SS104J		R 764	(A,21,130)	RS1/16SS0R0J	
				R 765	(A,19,126) (A,B,D,E,F)	RS1/16SS0R0J	
R 413	(A,100,79)	RS1/16SS101J		R 789	(A,51,132)	RS1/16SS0R0J	
R 414	(A,97,78)	RS1/16SS101J		R 795	(A,93,94) (D,E)	RS1/16SS471J	
R 415	(A,101,78)	RS1/16SS101J		R 796	(A,60,137)	RS1/16SS102J	
R 416	(A,97,76)	RS1/16SS102J		R 797	(A,60,134)	RS1/16SS102J	
R 418	(A,97,75)	RS1/16SS102J		R 799	(A,61,137) (D,E)	RS1/16SS471J	
R 419	(A,98,74)	RS1/16SS102J					
R 420	(A,96,70)	RS1/16SS473J		R 801	(A,131,7)	RS1/10SR222J	
R 421	(A,100,71)	RS1/16SS473J		R 803	(A,122,18)	RS1/16SS223J	
R 423	(A,98,69)	RS1/16SS222J		R 804	(A,119,18)	RS1/16SS223J	
R 424	(A,100,69)	RS1/16SS222J		R 805	(A,122,20)	RS1/10SR101J	
				R 806	(A,118,20)	RS1/10SR101J	
R 425	(A,102,63)	RS1/16SS103J					
R 428	(A,108,95)	RS1/16SS0R0J		R 807	(A,120,20)	RS1/10SR101J	
R 501	(A,94,90)	RS1/16SS473J		R 808	(A,130,9)	RS1/10SR222J	
R 502	(A,93,88)	RS1/16SS222J		R 809	(A,117,19)	RS1/10SR220J	
R 503	(A,94,88)	RS1/16SS222J		R 810	(A,115,19)	RS1/10SR220J	
				R 812	(A,114,19)	RS1/10SR222J	
R 504	(A,97,88)	RS1/16SS272J					
R 505	(A,98,88)	RS1/16SS472J		R 813	(A,109,14)	RS1/10SR222J	
R 506	(A,99,88)	RS1/16SS472J		R 814	(A,103,18)	RS1/10SR222J	
R 507	(A,98,84)	RS1/16SS101J		R 815	(A,102,18)	RS1/16SS822J	
R 508	(A,98,83)	RS1/16SS101J		R 816	(A,98,19)	RS1/10SR222J	
				R 817	(A,97,19)	RS1/10SR222J	
R 603	(A,137,92) (A,B,C,F)	RS1/16SS391J					
	(A,137,92) (D,E)	RS1/16SS101J		R 841	(A,95,20)	RS1/16SS472J	
R 604	(A,146,109)	RS1/16SS105J		R 859	(A,91,125)	RS1/16SS103J	
R 605	(A,151,109)	RS1/16SS105J		R 901	(A,92,127)	RS1/16SS103J	
R 606	(A,149,81)	RS1/16SS101J		R 902	(A,92,129)	RS1/16SS221J	
R 607	(A,150,81)	RS1/16SS101J		R 903	(A,91,128)	RS1/16SS223J	
R 608	(A,153,82)	RS1/16SS103J					
R 610	(A,152,82)	RS1/16SS103J					
R 622	(A,148,78) (A,B,C,F)	RS1/16SS0R0J					
R 637	(A,151,78)	RS1/16SS472J					
R 638	(A,150,78)	RS1/16SS472J					
R 652	(A,163,86)	RS1/16SS0R0J					
R 653	(A,146,74) (A,B)	RS1/10SR0R0J					
R 655	(A,164,89)	RS1/16SS0R0J					
R 656	(A,144,75) (D,E)	RS1/16SS0R0J					
R 660	(A,159,82) (A,B,C,F)	RS1/16SS0R0J					
R 701	(A,110,38)	RS1/16SS473J					
R 702	(A,116,38)	RS1/16SS104J					
R 703	(A,121,28)	RAB4CQ472J					
R 704	(A,112,40)	RS1/16SS104J					
R 706	(A,110,36)	RS1/16SS221J					
R 707	(A,111,38)	RS1/16SS221J					
R 708	(A,112,38)	RS1/16SS101J					
R 709	(A,113,38)	RS1/16SS221J					
R 710	(A,114,38)	RS1/16SS101J					
R 711	(A,116,39)	RS1/16SS102J					
R 715	(A,119,36)	RS1/16SS331J					
R 716	(A,120,36)	RS1/16SS331J					
R 717	(A,121,36)	RS1/16SS331J					
R 718	(A,124,36)	RS1/16SS221J					
R 719	(A,123,36)	RS1/16SS104J					
R 751	(A,19,123) (A,B,D,E,F)	RS1/16SS821J					
R 752	(A,14,123) (A,B,D,E,F)	RS1/16SS821J					
R 753	(A,17,124) (A,B,D,E,F)	RS1/16SS223J					
R 754	(A,14,125) (A,B,D,E,F)	RS1/16SS223J					

CAPACITORS

C 101	(A,135,124)	2 200 uF/16 V	CCH1405
C 111	(A,98,125)		CKSRYB104K50
C 151	(A,146,69)		XCEVW221M16
C 152	(A,142,63)	1 uF	CCG1396
C 153	(A,141,65)	10 uF	CCG1236
C 154	(A,136,53)		CKSRYB105K10
C 156	(A,160,70)		XCEAT102M16
C 157	(A,155,64)	10 uF	CCG1236
C 160	(A,141,54)	10 uF	CCG1236
C 162	(A,139,41)		CCSSCH391J50
C 163	(A,132,38)		CEVQW221M6R3
C 164	(A,145,46)		CCSSCH471J50
C 165	(A,143,45)		CCSSCH221J50
C 166	(A,138,37)	10 uF	CCG1192
C 167	(A,132,29)	10 uF	CCG1192
C 169	(A,134,24)	10 uF	CCG1192
C 171	(A,136,31)	10 uF	CCG1236
C 172	(A,138,31)	10 uF	CCG1236
C 173	(A,164,48)		CKSRYB105K10
C 174	(A,161,43)		CKSRYB105K10
C 177	(A,158,80)	10 uF	CCG1192
C 178	(A,157,36)		CCSSCH391J50
C 179	(A,157,35)		CKSSYB102K50
C 180	(A,163,34)	10 uF	CCG1192
C 181	(A,161,28)		CEVQW221M6R3
C 183	(A,162,41)	4.7 uF	CCG1212

	1	2	3	4
	<u>Circuit Symbol and No.</u>	<u>Part No.</u>	<u>Circuit Symbol and No.</u>	<u>Part No.</u>
	C 185 (A,143,24)	XCEVW221M10	C 565 (A,117,103)	CKSSYB104K10
	C 186 (A,157,34)	CCSSCH561J50		
	C 187 (A,130,22)	CCSRCH101J50	C 568 (A,97,108)	CKSSYB104K10
A	C 188 (A,135,17) (A,B)	CKSRYB105K10	C 569 (A,96,107)	CKSSYB104K10
	(A,135,17) (C,D,E,F)	CKSRYB102K50	C 570 (A,95,104) 10 uF	CCG1192
			C 572 (A,93,109) 1 uF	DCH1246
			C 573 (A,112,112) 1 uF	DCH1246
	C 192 (A,148,20) 22 uF	CCG1254		
	C 194 (A,146,16) (C,D,E,F)	CKSRYB103K50		
	C 252 (A,100,53)	CCSSCH470J50	C 574 (A,111,112) 1 uF(D,E)	DCH1246
	C 253 (A,100,42)	CKSRYB104K16	C 575 (A,95,101) 10 uF	CCG1192
	C 255 (A,92,38) 10 uF	CCG1192	C 576 (A,97,100)	CKSSYB104K10
			C 577 (A,108,99) 10 uF	CCG1192
			C 583 (A,110,109) 10 uF	CCG1192
	C 302 (A,110,18)	CCSRCH101J50		
	C 303 (A,106,26)	CKSSYB104K16		
	C 351 (A,107,66)	CKSSYB104K10	C 584 (A,110,106)	CKSSYB104K10
	C 352 (A,111,66)	CKSSYB104K10	C 585 (A,110,105)	CKSSYB104K10
B	C 353 (A,113,66)	CKSSYB104K10	C 586 (A,110,103)	CKSSYB104K10
			C 587 (A,98,105)	CKSSYB102K50
			C 589 (A,93,102) 1 uF	DCH1246
	C 354 (A,115,66)	CKSSYB104K10		
	C 357 (A,118,66)	CKSSYB104K10		
	C 359 (A,125,72) 1 uF	DCH1246	C 590 (A,112,104)	CKSRYB105K10
	C 361 (A,125,70)	CKSSYB104K10	C 602 (A,141,100) (D,E)	CCSSCK2R0C50
	C 362 (A,123,74) (A,B,C,F)	CKSSYB104K10	C 603 (A,141,101) (D,E)	CCSSCK1R0C50
	(A,123,74) (D,E)	CCSSCH101J50	C 604 (A,142,98) (D,E)	CCSSCK1R0C50
			C 605 (A,143,99) (D,E)	CCSSCH120J50
	C 363 (A,123,75) (A,B,C,F)	CKSSYB104K10		
	(A,123,75) (D,E)	CCSSCH102J50	C 607 (A,142,89)	CKSSYB102K50
	C 364 (A,128,78) (D,E)	CCSSCH120J50	C 610 (A,142,86)	CKSSYB152K50
	C 365 (A,130,79) (A,B,C,F)	CCSSCH120J50	C 611 (A,148,105)	CCSSCH331J50
C	C 366 (A,129,73)	CCSSCH120J50	C 612 (A,149,105)	CCSSCH220J50
	C 368 (A,123,78)	CKSSYB102K50	C 613 (A,156,104)	CCSSCH100D50
	C 369 (A,124,83)	CKSSYB104K10	C 615 (A,145,91)	CKSSYB104K10
	C 370 (A,125,83)	CKSSYB104K10	C 617 (A,150,93)	CKSSYB102K50
	C 375 (A,125,95)	CCSSCH120J50	C 618 (A,150,92)	CKSSYB224K6R3
	C 376 (A,125,89)	CCSSCH120J50	C 620 (A,154,92)	CKSSYB104K10
	C 377 (A,125,97)	CKSRYB105K16	C 621 (A,152,90)	CCSSCH390J50
	C 379 (A,122,94)	CCSSCJ3R0C50	C 624 (A,161,82) (A,B,C,F)	CKSRYB105K10
	C 381 (A,116,88)	CKSSYB104K10	C 625 (A,164,82) (A,B,C,F)	CKSRYB105K10
	C 383 (A,110,88)	CKSSYB104K10	C 626 (A,146,80) 10 uF	CCG1192
	C 384 (A,107,93)	CCSSCH220J50	C 630 (A,146,77) 1 uF	DCH1246
D	C 385 (A,108,88)	CKSSYB104K10	C 631 (A,142,82)	CKSSYB102K50
	C 386 (A,107,88)	CKSSYB104K10	C 632 (A,152,107)	CKSRYB104K16
	C 387 (A,106,90)	CKSSYB104K10	C 635 (A,143,78) (C,D,E,F)	CCSSCH101J50
	C 388 (A,98,89)	CCSRCH330J50	C 636 (A,146,76) (A,B)	CKSSYB102K50
	C 389 (A,101,80)	CKSSYB104K10	C 637 (A,143,75) (A,B,C,F)	CKSSYB104K10
	C 390 (A,107,51)	CCSSCH100D50	C 639 (A,149,108)	CCSSCH471J50
	C 391 (A,98,80)	CCSSCH220J50	C 701 (A,113,40)	CKSSYB103K16
	C 392 (A,97,79)	CCSSCH220J50	C 702 (A,127,30)	CKSSYB103K16
	C 393 (A,99,77)	CCSSCH220J50	C 704 (A,122,39)	CCSSCH100D50
	C 394 (A,101,75)	CKSSYB104K10	C 705 (A,120,39)	CCSSCH100D50
E	C 395 (A,101,73)	CKSSYB103K16	C 706 (A,118,40)	CCSSCH100D50
	C 398 (A,130,95) 1 uF	DCH1246	C 709 (A,107,43)	CKSRYB104K16
	C 399 (A,121,99)	CKSRYB104K16	C 751 (A,22,123) 10 uF(A,B,D,E,F)	CCG1192
	C 400 (A,101,83)	CCSSCH100D50	C 752 (A,17,121) 10 uF(A,B,D,E,F)	CCG1192
	C 501 (A,94,89)	CKSSYB104K10	C 753 (A,17,125) (A,B,D,E,F)	CCSSCH101J50
	C 502 (A,95,88)	CKSSYB104K10	C 754 (A,14,127) (A,B,D,E,F)	CCSSCH101J50
	C 551 (A,103,117)	CKSRYB105K10	C 755 (A,30,126) 10 uF	DCH1201
	C 553 (A,95,116)	CKSRYB105K10	C 756 (A,24,125) 10 uF	CCG1192
	C 554 (A,94,108) 1 uF	DCH1246	C 757 (A,26,130)	CCSSCH101J50
	C 555 (A,96,116)	CKSRYB105K10	C 758 (A,22,128)	CCSSCH101J50
	C 560 (A,109,113)	CKSRYB105K10	C 760 (A,38,131)	CKSSYB104K10
F	C 561 (A,110,115)	CKSRYB105K10	C 761 (A,9,132)	CKSSYB103K16
	C 562 (A,106,117)	CKSRYB105K10	C 785 (A,40,129)	CKSRYB102K50
	C 563 (A,114,103) 10 uF	CCG1192	C 786 (A,54,133)	CKSRYB102K50
	C 564 (A,117,109)	XCEVW470M16	C 787 (A,54,137)	CKSRYB104K16

5		6	
<u>Circuit Symbol and No.</u>		<u>Part No.</u>	
C 788	(A,37,132)	CKSRYB104K16	
C 801	(A,126,6)	CCSRCH102J50	
C 803	(A,91,18)	CKSRYB105K10	
C 804	(A,127,14)	CKSRYB105K10	
C 806	(A,126,9)	CKSRYB104K16	
C 807	(A,124,14)	CKSRYB105K10	
C 808	(A,110,13)	CKSRYB104K16	
C 809	(A,98,16)	CCSRCH221J50	
C 810	(A,98,13)	CCSRCH221J50	
C 811	(A,105,18)	CKSSYB104K10	
C 812	(A,114,14)	CKSRYB104K16	
C 851	(A,72,129)	CKSRYB474K10	
C 853	(A,82,129)	CKSRYB474K10	
C 855	(A,74,129)	CKSRYB474K10	
C 857	(A,80,129)	CKSRYB474K10	
C 863	(A,86,130) 2.2 uF	CCG1205	
C 864	(A,140,121)	CKSRYB104K50	
C 868	(A,69,130) 10 uF/16 V	DCH1263	
C 901	(A,90,130)	CKSRYB105K10	
C 913	(A,108,127)	CKSRYB104K50	
C 915	(A,97,28)	CKSRYB104K16	

B
Unit Number : QWM4120(A,B,D,E,F)
Unit Number : QWM4119(C)
Unit Name : Keyboard Unit

MISCELLANEOUS

IC 1801	(B,84,21) Flash Written UC IC	PD6586A8	
IC 1941	(A,158,37) IR RC REC Module(A,B,D,E,F)	SIR8440B5	
Q 1951	(B,34,19) RESISTOR BUILT-IN TR(A,B,D,E,F)	LTC014EEB	
Q 1952	(B,38,19) RESISTOR BUILT-IN TR(C)	LTC014EEB	
D 1951	(A,60,21) White LED	SWBA05(FI231719)	
D 1952	(A,3,39) Blue LED(A,B,D,E,F)	FC-F1608BK-470H5	
D 1953	(A,35,9) Blue LED(A,B,D,E,F)	FC-F1608BK-470H5	
D 1954	(A,49,13) Blue LED(A,B,D,E,F)	FC-F1608BK-470H5	
D 1955	(A,49,23) Blue LED(A,B,D,E,F)	FC-F1608BK-470H5	
D 1956	(A,59,3) Blue LED(A,B,D,E,F)	FC-F1608BK-470H5	
D 1957	(A,70,4) Blue LED(A,B,D,E,F)	FC-F1608BK-470H5	
D 1958	(A,87,4) Blue LED(A,B,D,E,F)	FC-F1608BK-470H5	
D 1959	(A,94,4) Blue LED(A,B,D,E,F)	FC-F1608BK-470H5	
D 1960	(A,109,4) Blue LED(A,B,D,E,F)	FC-F1608BK-470H5	
D 1961	(A,116,4) Blue LED(A,B,D,E,F)	FC-F1608BK-470H5	
D 1962	(A,131,4) Blue LED(A,B,D,E,F)	FC-F1608BK-470H5	
D 1963	(A,138,4) Blue LED(A,B,D,E,F)	FC-F1608BK-470H5	
D 1964	(A,34,27) Blue LED(A,B,D,E,F)	FC-F1608BK-470H5	
D 1966	(A,37,18) Blue LED(A,B,D,E,F)	FC-F1608BK-470H5	
D 1968	(A,38,18) Red LED(C)	FC-1608SXXK630D08	
D 1969	(A,49,11) Red LED(C)	FC-1608SXXK630D08	
D 1970	(A,49,25) Red LED(C)	FC-1608SXXK630D08	
D 1971	(A,34,29) Red LED(C)	FC-1608SXXK630D08	
D 1973	(A,71,4) Red LED(C)	FC-1608SXXK630D08	
D 1974	(A,57,3) Red LED(C)	FC-1608SXXK630D08	
D 1975	(A,111,4) Red LED(C)	FC-1608SXXK630D08	
D 1976	(A,93,4) Red LED(C)	FC-1608SXXK630D08	
D 1977	(A,89,4) Red LED(C)	FC-1608SXXK630D08	
D 1978	(A,137,4) Red LED(C)	FC-1608SXXK630D08	
D 1979	(A,133,4) Red LED(C)	FC-1608SXXK630D08	

7		8	
<u>Circuit Symbol and No.</u>		<u>Part No.</u>	
D 1980	(A,115,4) Red LED(C)	FC-1608SXXK630D08	
D 1981	(A,35,7) Red LED(C)	FC-1608SXXK630D08	
D 1982	(A,3,37) Red LED(C)	FC-1608SXXK630D08	
X 1801	(B,68,23) Ceramic Resonator 5.00 MHz	CSS1547	
S 1839	(A,15,18) Encoder (MULTI-CONTROL)	CSD1193	
CN1931	(B,107,8) Connector	CKS6451	
JA1911	(A,157,23) Connector	CKS6443	
JA1921	(A,152,6) Jack	CKN1090	
V 1801	(A,137,31) Segment LCD	CAW2056	

RESISTORS

R 1801	(B,85,13)	RS1/10SR473J	
R 1802	(B,63,20)	RS1/10SR473J	
R 1803	(B,73,22)	RS1/10SR222J	
R 1805	(B,62,21)	RS1/10SR473J	
R 1806	(B,54,26)	RS1/10SR473J	
R 1807	(B,55,26)	RS1/10SR473J	
R 1808	(B,52,26)	RS1/10SR473J	
R 1823	(B,51,26)	RS1/10SR273J	
R 1921	(B,138,8)	RS1/10SR0R0J	
R 1922	(B,138,14)	RS1/10SR0R0J	
R 1923	(B,136,5)	RS1/10SR0R0J	
R 1931	(B,35,8)	RS1/10SR222J	
R 1932	(B,37,7)	RS1/10SR222J	
R 1941	(B,127,23) (C)	RS1/10SR473J	
R 1944	(B,131,26) (A,B,D,E,F)	RS1/10SR101J	
R 1951	(B,51,21)	RS1/4SA181J	
R 1952	(B,55,23)	RS1/4SA101J	
R 1954	(B,11,31) (A,B,D,E,F)	RS1/10SR332J	
R 1958	(B,35,11) (A,B,D,E,F)	RS1/10SR471J	
R 1960	(B,41,7) (A,B,D,E,F)	RS1/10SR122J	
R 1962	(B,88,10) (A,B,D,E,F)	RS1/10SR102J	
R 1964	(B,54,11) (A,B,D,E,F)	RS1/10SR102J	
R 1966	(B,140,18) (A,B,D,E,F)	RS1/10SR102J	
R 1968	(B,28,28) (A,B,D,E,F)	RS1/10SR471J	
R 1969	(B,29,28) (A,B,D,E,F)	RS1/10SR682J	
R 1972	(B,32,19) (A,B,D,E,F)	RS1/10SR0R0J	
R 1973	(B,38,22) (C)	RS1/10SR0R0J	
R 1975	(B,31,19) (C)	RS1/10SR562J	
R 1978	(B,35,13) (C)	RS1/10SR102J	
R 1980	(B,31,28) (C)	RS1/10SR102J	
R 1982	(B,86,10) (C)	RS1/10SR152J	
R 1984	(B,63,14) (C)	RS1/10SR102J	
R 1986	(B,137,18) (C)	RS1/10SR102J	
R 1988	(B,49,23) (C)	RS1/10SR102J	
R 1990	(B,15,31) (C)	RS1/10SR102J	
R 1991	(B,49,7) (A,B,D,E,F)	RS1/10SR0R0J	
R 1996	(B,59,7) (C)	RS1/10SR0R0J	

CAPACITORS

C 1806	(B,66,22)	CKSRYB104K16	
C 1807	(B,64,22)	CKSRYB105K10	
C 1912	(B,143,21)	CKSRYB102K50	
C 1941	(B,135,26) 10 uF(A,B,D,E,F)	CCG1192	

C
Unit Number : CWX4269
Unit Name : CD Core Unit(S11.6VA)

Circuit Symbol and No.**Part No.****Circuit Symbol and No.****Part No.****MISCELLANEOUS**

C 213 (B,18,26)

CKSSYB332K50

IC 201 (B,24,38) IC PEQ094A
 IC 301 (A,37,12) IC BD8223EFV
 Q 101 (B,12,54) Transistor 2SA1577
 Q 102 (B,16,55) Chip Digital Transistor LTA123JUB
 X 201 (B,25,50) Ceramic Resonator 16.934 MHz CSS1603

C 214 (B,17,26)
 C 215 (B,19,29)
 C 216 (B,13,33)
 C 217 (B,10,35)
 C 218 (B,10,37)

CKSSYB473K16
 CKSSYB104K10
 CKSSYB152K50
 CCSSCH390J50
 CCSSCH5R0C50

S 901 (A,43,54) Spring Switch(HOME) CSN1080
 S 903 (B,22,13) Spring Switch(DSCSNS) CSN1081
 CN101 (A,17,58) Connector CKS4808
 CN701 (A,26,30) Connector CKS6146

C 219 (B,14,35)
 C 220 (A,18,39)
 C 221 (B,14,32)
 C 222 (B,14,37)
 C 223 (B,13,42)

CKSSYB104K10
 CKSSYB104K10
 CKSSYB104K10
 CKSSYB104K10
 CCSSCH680J50

RESISTORS

R 101 (B,7,59) RS1/10SR2R4J
 R 102 (B,8,59) RS1/10SR2R4J
 R 103 (B,10,59) RS1/10SR2R7J
 R 108 (B,14,58) RS1/16SS105J
 R 109 (B,15,50) RS1/16SS152J

C 224 (B,14,45)
 C 225 (B,14,47)
 C 228 (B,10,34)
 C 229 (B,9,41)
 C 233 (B,33,46)

CCSSCH470J50
 CKSSYB103K16
 CCSSCH180J50
 CKSSYB104K10
 CKSSYB103K16

R 214 (B,18,28) RS1/16SS103J
 R 215 (B,17,28) RS1/16SS393J
 R 216 (B,13,36) RS1/16SS102J
 R 217 (B,10,33) RS1/16SS562J
 R 218 (B,10,36) RS1/16SS472J

C 236 (B,8,41)
 C 238 (A,26,45)
 C 299 (A,26,43)
 C 302 (B,29,12)
 C 303 (B,30,12)

CKSSYB104K10
 CKSRYB104K16
 CKSSYB104K10
 CKSSYB102K50
 CKSSYB102K50

R 229 (B,13,35) RS1/16SS471J
 R 232 (A,31,55) RS1/16SS0R0J
 R 237 (B,34,45) RS1/16SS221J
 R 240 (B,35,40) RS1/16SS473J
 R 245 (A,34,46) RS1/16SS104J

C 304 (B,28,12)
 C 305 (B,27,12)
 C 306 (A,32,7)
 C 307 (A,42,19)
 C 308 (A,32,16)

CKSSYB223K16
 CKSSYB104K10
 CKSSYB104K10
 CKSRYB105K10
 CKSRYB105K10

R 254 (A,37,56) RS1/16SS104J
 R 260 (B,30,27) RS1/16SS103J
 R 264 (A,22,9) RS1/16SS102J
 R 281 (B,34,38) RS1/16SS560J
 R 282 (B,34,39) RS1/16SS560J

C 710 (A,34,43)

CKSSYB102K50

R 291 (B,34,35) RS1/16SS560J
 R 294 (B,28,49) RS1/16SS471J
 R 303 (A,28,12) RS1/16SS123J
 R 304 (A,29,11) RS1/16SS123J
 R 305 (A,27,9) RS1/16SS102J

D**Unit Number : QWM4142****Unit Name : BT Unit****MISCELLANEOUS**

R 306 (A,27,12) RS1/16SS472J
 R 307 (A,26,9) RS1/16SS102J
 R 308 (A,26,12) RS1/16SS472J
 R 309 (A,35,7) RS1/16SS473J
 R 310 (B,31,9) RS1/16SS472J

IC 21 (A,6,46) Regulator IC MM3479A18P
 IC 22 (A,19,45) Regulator IC MM3411A33N
 CN21 (A,32,25) B TO B Connector CKS6346
 CN23 (A,40,42) Connector CKS3857

RESISTORS

R 311 (B,31,10) RS1/16SS472J
 R 312 (B,31,11) RS1/16SS472J
 R 313 (B,31,12) RS1/16SS472J
 R 701 (A,22,38) RS1/16SS101J
 R 702 (A,24,38) RS1/16SS101J

R 28 (A,40,29) RS1/16SS222J
 R 29 (A,28,39) RS1/16SS102J
 R 30 (A,28,35) RS1/16SS102J
 R 38 (A,40,15) RS1/16SS0R0J
 R 39 (A,39,21) RS1/16SS221J

R 706 (A,33,42) RS1/16SS221J

R 40 (A,38,21) RS1/16SS221J
 R 41 (A,36,21) RS1/16SS221J

CAPACITORS

C 104 (B,15,52) CKSQYB475K6R3
 C 110 (B,11,44) CKSSYB104K10
 C 111 (B,12,44) CKSSYB103K16
 C 203 (B,22,47) CKSSYB104K10
 C 205 (A,17,41) CKSRYB105K10

C 23 (A,22,38) XCEVW221M4
 C 24 (A,5,42) CKSRYB105K10
 C 26 (A,25,46) 4.7 uF CCG1212
 C 29 (A,16,44) CKSRYB105K10
 C 33 (A,8,52) 4.7 uF CCG1212

C 209 (B,29,48) CKSRYB104K16
 C 210 (B,33,44) CKSSYB104K10
 C 211 (B,34,42) CKSSYB104K10
 C 212 (B,23,29) CKSSYB104K10

C 34 (A,40,28) CKSRYB105K10
 C 36 (A,30,38) CKSRYB104K16
 C 38 (A,14,44) 4.7 uF CCG1212
 C 39 (A,4,40) 4.7 uF CCG1212
 C 40 (A,10,49) CKSRYB104K16