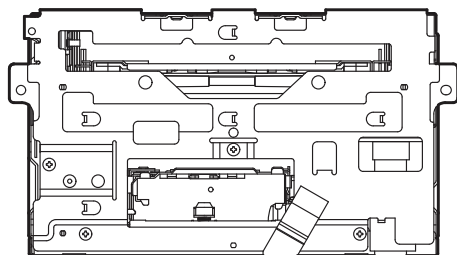


Service Manual



NISSAN Automobile Genuine
 AM/FM Radio, 6 CD changer,
 Cassette Stereo

Model PN-2530H-C
 After Serial No.0118850
 (Genuine No.28188 CA010)

Model PN-2530H-D
 After Serial No.0112050
 (Genuine No.28188 CA010)

ORIGINAL SERVICE MANUAL

After Serial No.0118850 of this model, please confirm that and correspond to the original manual.
 This additional service manual is designed to be used together with Original model.

Original model	Manual No.
PN-2530H-A	298-6051-00

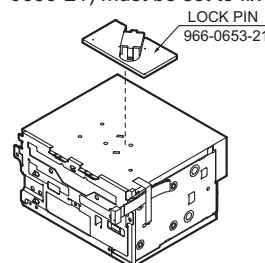
DIFFERENCE FROM ORIGINAL MODEL

1. Change of the CD changer mechanism section updated together with the original model (Refer to this service manual, page 5 to 14.)
2. Change of the AM/FM TUNER
3. Change of the System Controller IC

NOTE

- * We cannot supply PWB with component parts in principle. When a circuit on PWB has failure, please repair it by component parts base. Parts which are not mentioned in service manual are not supplied.
- * Manufactured under license from Dolby Laboratories. "Dolby" and the double-D symbol are trademarks of Dolby Laboratories.
- * Specifications and design are subject to change without notice for further improvement.

* In case that the main unit is transported for repair, the lock pin (966-0653-21) must be set to fix the mechanism assy.

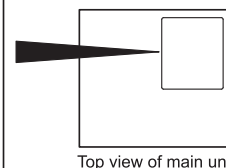
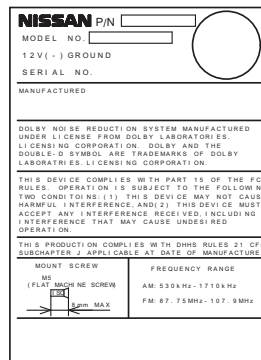


COMPONENTS

PN-2530H-C, H-D
 Main unit ----- 1

CAUTIONS

Use of controls, adjustment, or performance of procedures other than those specified herein, may result in hazardous radiation exposure.
 The compact disc player should not be adjusted or repaired by anyone except properly qualified service personnel.



DIFFERENCE EXPLODED VIEW / PARTS LIST

Main section

(Refer to page 6 of the original service manual.)

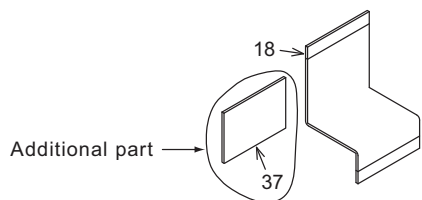
The following parts are updated together with the original model.

Note) The model name is specified in the description.

(H-A):PN-2530H-A / (H-C):PN-2530H-C / (H-D):PN-2530H-D

NO.	PART NO.	DESCRIPTION	Q'TY
11	331-3236-02 331-3236-22	MECH BRACKET(FRONT) (H-A, H-C) MECH BRACKET(FRONT) (H-D)	1
18	816-2563-10	FLAT WIRE	1
19	311-1834-03 311-1834-23	LOWER CASE (H-A, H-C) LOWER CASE (H-D)	1
20	331-3258-02 331-3258-22	SIDE CASE(L) (H-A, H-C) SIDE CASE(L) (H-D)	1
21	331-3259-02 331-3259-22	SIDE CASE(R) (H-A, H-C) SIDE CASE(R) (H-D)	1
31	929-0196-81	CD CHANGER MODULE	1
* 33	966-0653-21	LOCK PIN	1
37	335-6788-00 335-6788-01	MOLDED PARTS (ADDITIONAL PART) (H-A, H-C) MOLDED PARTS (ADDITIONAL PART) (H-D)	1

* Refer to page 1 for the details of the lock pin of No.33.



The following parts are difference parts.

Note) The model name is specified in the description.

(H-A):PN-2530H-A / (H-C):PN-2530H-C / (H-D):PN-2530H-D

NO.	PART NO.	DESCRIPTION	Q'TY
10	331-2025-21	CONNECTOR HOLDER (H-D)	1
12	331-3237-21	MECH BRACKET(REAR) (H-D)	1
14	331-3257-20	CONNECTOR HOLDER (H-D)	1
15	347-6595-01	INSULATOR (H-D)	1
22	331-3519-01	ES-PLATE (H-D)	1
23	347-6623-01	SPACER (H-D)	1
27	347-6816-01	FILM (H-D)	1
28	347-6817-01	FILM (H-D)	1
29	347-6909-01	FILM (H-D)	1
34	286-9526-20 286-9526-57	SET PLATE (H-C) SET PLATE (H-D)	1
36	880-1921T	TUNER(AM/FM)	1

Tape mechanism section

(Refer to page 13, 14 of the original service manual.)

The following parts are updated together with the original model.

NO.	PART NO.	DESCRIPTION	Q'TY
22	606-0093-07	PACK GUIDE	1
30	613-0337-20	POWER GEAR	1

DIFFERENCE ELECTRICAL PARTS LIST

Main PWB(B1) section

(Refer to the original service manual, page 15 to 18.)

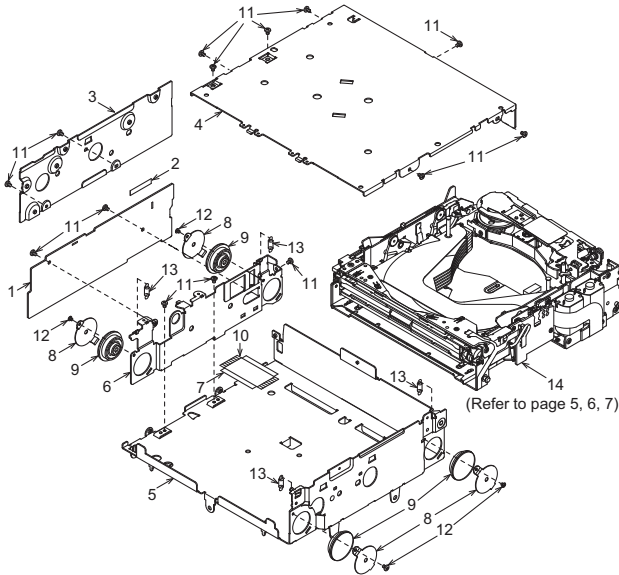
The following parts are difference parts.

REF No.	PART No.	DESCRIPTION	REF No.	PART No.	DESCRIPTION	REF No.	PART No.	DESCRIPTION
BL101	880-1921T	AM/FM TUNER	C504	187-1073-37	16V100uF	C737	042-1548-52	10V220uF
C116	188-4763-18	6.3V47uF	C507	187-1073-37	16V100uF	C740	187-4763-35	16V47uF
C120	188-2253-68	50V2.2uF	C508	187-1073-37	16V100uF	C743	188-1063-38	16V10uF
C121	188-1073-28	10V100uF	C511	188-1063-38	16V10uF	C744	042-1562-15	10V220uF
C125	188-1073-28	10V100uF	C515	188-4763-38	16V47uF	C1001	042-1562-17	16V10uF
C130	188-1073-28	10V100uF	C612	042-1551-02	16V1000uF	C1002	042-1562-17	16V10uF
C134	186-1053-69	50V1uF	C613	188-1053-68	50V1uF	C1003	042-1562-17	16V10uF
C135	188-4763-38	16V47uF	C701	188-1053-68	50V1uF	C1004	042-1562-17	16V10uF
C140	188-4763-38	16V47uF	C702	188-1053-68	50V1uF	C1012	188-1066-38	16V10uFNP
C308	188-1053-68	50V1uF	C727	042-1548-52	10V220uF	C1013	188-1066-38	16V10uFNP
C311	188-1053-68	50V1uF	C728	042-1548-52	10V220uF	D1006	001-0330-90	1SS119
C316	188-1053-68	50V1uF	C729	042-1548-52	10V220uF	D1007	001-0330-90	1SS119
C317	188-1053-68	50V1uF	C730	042-1548-52	10V220uF	IC404	052-3177-03	M30624MGA-550GP
C405	042-1505-82	16V10uF	C731	042-1548-52	10V220uF	Q109	191-1197-50	2SB1197KQ,R
C420	188-4763-18	6.3V47uF	C732	042-1548-52	10V220uF	Q111	191-1197-50	2SB1197KQ,R
C502	188-1073-28	10V100uF	C733	042-1548-52	10V220uF			
C503	188-1063-38	16V10uF	C734	042-1548-52	10V220uF			

* CD changer mechanism section : 929-0196-81

EXPLODED VIEW / PARTS LIST

CD changer module section



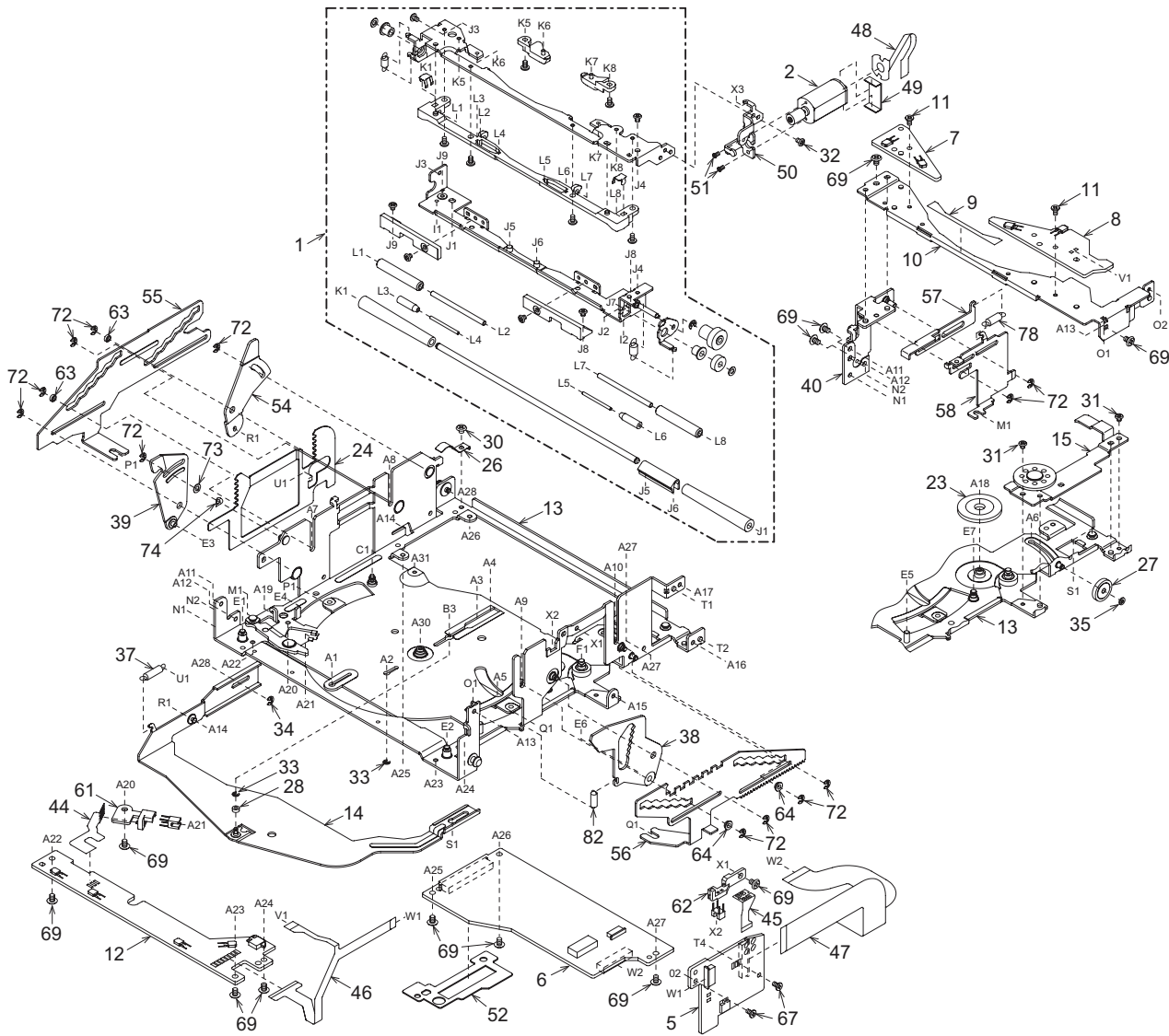
NO.	PART NO.	DESCRIPTION	Q'TY
1	-----	SIDE PWB	1
2	347-6657-01	LO-COVER SHEET	1
3	305-0315-21	SIDE COVER	1
4	310-1741-23	UPPER CASE	1
5	311-1837-25	LOWER CASE	1
6	331-3266-24	PWB-HOLDER	1
7	347-6619-00	INSULATOR	1
8	620-1086-20	DAMPER-H-PLT	4
9	629-0083-01	DAMPER	4
10	039-1957-01	FPC (WITHOUT COMPONENT)	1
11	716-1716-00	SCREW(M2 x 3)	14
12	716-3450-00	SCREW(M1.7 x 2)	4
13	750-3491-00	FL-SPRING	4
14	-----	CD CHANGER MECHANISM	1

Main chassis : CD changer mechanism section

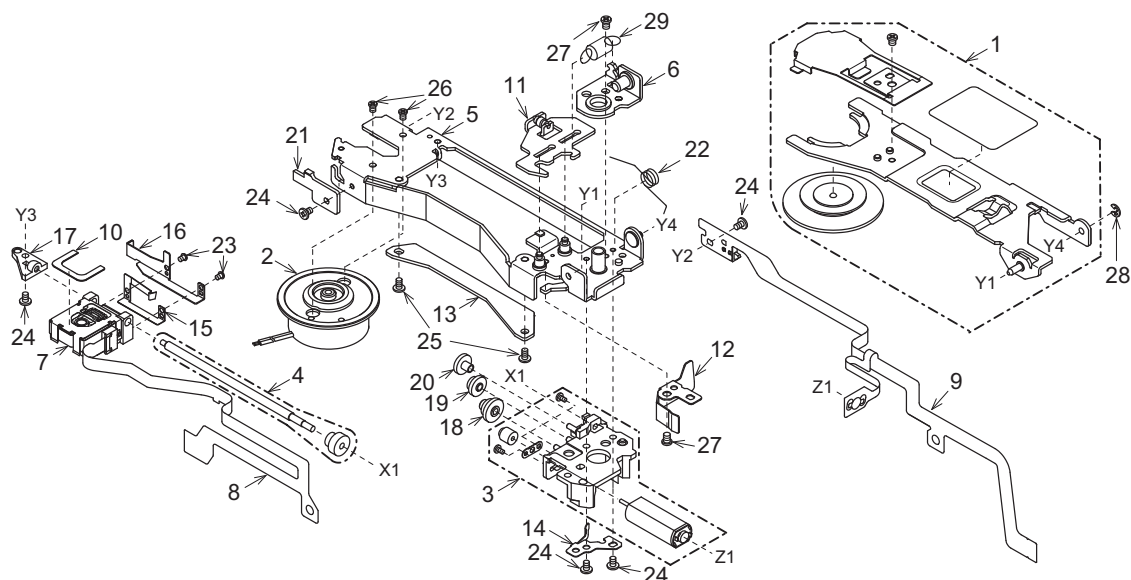
* The exploded view is page 6, 7.

NO.	PART NO.	DESCRIPTION	Q'TY	NO.	PART NO.	DESCRIPTION	Q'TY
1	HBS-521-100	LOADING UNIT	1	29	622-1652-00	LOCK-PF-ROLLER	1
2	SMA-186-100	LOADING MOTOR-ASSY	1	30	716-1850-01	SCREW(M2 x 2)	1
3	HBS-530-100	MTR-P-SUB-ASSY	1	31	716-3450-00	SCREW(M1.7 x 2)	4
4	HBS-531-100	DRIVE UNIT	1	32	716-3451-00	SCREW(M1.7 x 2.5)	4
5	-----	DRIVER-PWB	1	33	743-1200-10	E-RING	2
6	-----	CD-PWB	1	34	743-1500-10	E-RING	1
7	-----	LED-L-PWB	1	35	746-0761-00	WASHER	1
8	-----	LED-R-PWB	1	36	750-3485-01	TENTION-SP-L	1
9	039-2011-01	LED-FPC (WITHOUT COMPONENT)	1	37	750-3497-00	GAP-P-SPRING L	1
10	620-1577-20	FRONT-PLATE	1	38	966-0615-21	LOCK-L-RF-ASSY	1
11	716-1866-00	SCREW(M1.7 x 3)	2	39	966-0616-20	LOCK-L-LF-ASSY	1
12	-----	SENSOR-PWB	1	40	966-0618-21	EJECT-B-ASSY	1
13	966-0597-24	CHASSIS-ASSY	1	41	966-0624-27	DISC-HOL-ASSY	1
14	966-0600-23	LOCK-P-RE-ASSY	1	42	966-0652-22	DR-BASE-P-ASSY	1
15	966-0601-21	M-GEAR-P-ASSY	1	43	HBS-535-100	TOP PLATE-ASSY	1
16	966-0602-24	DR-LINK-ASSY	1	44	039-2009-00	PIM-FPC (WITHOUT COMPONENT)	1
17	966-0603-21	MODE-P-ASSY	1	45	039-2010-00	PIV-FPC (WITHOUT COMPONENT)	1
18	966-0604-24	LOCK-PF-ASSY	1	46	039-2012-00	SENSOR-FPC (WITHOUT COMPONENT)	1
19	966-0605-20	SHIFT-P-ASSY	1	47	039-2013-02	MOS-FPC (WITHOUT COMPONENT)	1
20	966-0607-26	COV-PLATE-ASSY	1	48	039-2014-01	L-MOTOR-FPC (WITHOUT COMPONENT)	1
21	966-0606-23	HLC-PLATE-ASSY	1	49	347-6657-01	LO-COVER SHEET	1
22	620-1041-26	GEAR PLATE	1	50	620-1576-20	LO-MOTOR-PLT	1
23	620-1042-20	M-GEAR-H	1	51	738-1422-11	SCREW(M1.4 x 2.2)	2
24	620-1090-20	GAP PLATE	1	52	347-6974-21	FPC COVER	1
25	620-1568-20	RATTLE PLATE-F	2	53	620-1056-22	HLR-PLATE-L	1
26	620-1604-20	DR-PLATE-SPRING	1	54	620-1066-20	LOCK LINK-LR	1
27	621-0640-20	V-GEAR-G	1				
28	622-1651-00	LOCK-RE-ROLLER	1				

NO.	PART NO.	DESCRIPTION	Q'TY	NO.	PART NO.	DESCRIPTION	Q'TY
55	620-1067-21	SLIDE PLATE L	1	70	716-3459-00	SCREW(M1.7 x 5)	1
56	620-1068-22	SLIDE PLATE-R	1	71	716-3466-02	SCREW(M2 x 6)	1
57	620-1071-21	EJECT ARM	1	72	743-1500-10	E-RING	12
58	620-1072-20	EJECT PLATE	1	73	746-0624-00	WASHER	1
59	620-1083-20	FPC-PLATE	1	74	746-0712-23	WASHER	1
60	620-1580-20	HLR-PLATE-R	1	75	750-3478-01	TOP-P-SP-L	2
61	621-0641-21	PI-HOLDER-M	1	76	750-3479-01	TOP-P-SP-R	1
62	621-0656-21	PI-HOLDER-V	1	77	750-3480-01	DR-LOCK-SP	1
63	622-1622-20	SL-G-ROLLER	2	78	750-3483-00	EJECT-A-SPRING	1
64	622-1623-00	SL-G-ROLLER-R	2	79	750-3484-01	DR-BASE-SPRING	1
65	622-1648-23	DU-STP-SLEEVE	1	80	750-3486-01	LO-TENSION-SP	1
66	622-1650-23	COV-PLATE PIN B	2	81	750-3489-01	DRIVE-P-SPRING	1
67	716-1866-00	SCREW(M1.7 x 3)	2	82	750-3496-00	GAP-P-SPRING R	1
68	716-1873-00	SCREW(M2 x 1.6)	1	83	750-6711-01	DU-STP-SPRING	1
69	716-3449-00	SCREW(M2 x 3)	15	84	750-6712-01	DR-LOCK-SP-B	1



Drive unit : CD changer mechanism section



NO.	PART NO.	DESCRIPTION	Q'TY	NO.	PART NO.	DESCRIPTION	Q'TY
1	HBS-532-100	CLAMP SUB-ASSY	1	15	620-1587-83	SH-SPRING-PLT	1
2	SMA-185-101	SPINDLE MOTOR-ASSY	1	16	620-1730-81	SCREW-HOL-PLT	1
3	SMA-191-100	SLED MOTOR-ASSY	1	17	621-0670-20	LS-HOLDER-L	1
4	HBS-515-101	LS-ASSY	1	18	621-0673-20	D-GEAR-A	1
5	966-0649-82	DRIVE PLT-ASSY	1	19	621-0674-20	D-GEAR-B	1
6	966-0650-20	SPRING-PLT-ASSY	1	20	621-0675-20	D-GEAR-C	1
7	969-0011-00	PICK UP-ASSY	1	21	621-0683-21	DU-STOPPER	1
8	039-2015-01	P/U-FPC (WITHOUT COMPONENT)	1	22	750-3504-00	CLAMP-A-SPRING	1
9	039-2016-02	M/S-FPC (WITHOUT COMPONENT)	1	23	716-3511-00	SCREW(1.4 x 3)	2
10	347-6632-00	PU-SHEET	1	24	716-3470-00	SCREW(M1.7 x 3)	5
11	HBS-542-101	D-SHIFT-PLATE ASSY	1	25	716-3474-00	SCREW(M1.7 x 3)	2
12	620-1078-20	PUSH PLATE	1	26	738-1720-17	PRECISION SCREW(M1.7 x 2)	2
13	620-1080-22	PU-GUIDE-PLATE	1	27	738-2025-17	PRECISION SCREW(M2 x 2.5)	2
14	620-1081-20	SCREW PUSH-PLT	1	28	743-1500-10	E-RING	1
				29	750-3487-00	SHIFT-P-SPRING	1

ELECTRICAL PARTS LIST

CD PWB section(B3) : CD changer mechanism

REF No.	PART No.	DESCRIPTION	REF No.	PART No.	DESCRIPTION	REF No.	PART No.	DESCRIPTION
C2	046-1022-58	1000pF	C21	168-3932-78	0.039uF K	C43	042-0636-52	4V 47uF
C3	168-1042-78	16V 0.1uF	C22	042-0416-52	10V 10uF M TAN	C50	168-1042-78	16V 0.1uF
C4	042-0636-54	4V 220uF	C25	178-1052-78	1uF	C51	168-1042-78	16V 0.1uF
C5	168-1042-78	16V 0.1uF	C26	042-0472-91	16V 47uF	C60	168-5612-55	560pF Z
C6	046-1032-78	0.01uF	C27	178-3342-78	0.33uF	D1	001-0367-91	1SS226
C7	168-1042-78	16V 0.1uF	C29	168-2732-55	16V 0.027uF K	IC1	051-6365-00	MN662785TBUC
C8	178-4742-78	0.47uF	C30	042-0416-58	4V 100uF M TAN	IC2	051-9318-00	MSM51V17400D-60TS-K
C9	178-2242-78	0.22uF	C31	042-0636-52	4V 47uF	IC3	051-6060-08	BD7961FM-E2
C10	168-1042-78	16V 0.1uF	C32	046-1022-58	1000pF	IC4	051-5711-90	AN8882SB-E1
C11	168-1042-78	16V 0.1uF	C33	046-3322-58	3300pF	J1	074-1189-95	45P
C12	168-1042-78	16V 0.1uF	C34	168-2732-55	16V 0.027uF K	J4	074-1138-56	6P
C13	046-2232-78	0.022uF	C35	178-2742-78	0.27uF	J5	074-1201-65	15P
C14	168-5612-55	560pF Z	C36	178-1052-78	1uF	J6	074-1059-76	26P
C15	168-1042-78	16V 0.1uF	C37	168-1042-78	16V 0.1uF	L2	010-2155-93	10uH
C16	046-2212-58	220pF	C38	042-0472-91	16V 47uF	Q2	131-1188-00	2SB1188
C17	046-2212-58	220pF	C39	042-0636-50	6.3V 100uF	Q3	131-1188-00	2SB1188
C18	168-1222-55	1200pF K	C40	045-1211-50	120pF	R2	033-1041-15	1/10W 100k ohm
C19	046-3322-58	3300pF	C41	045-1011-50	100pF	R4	033-3311-15	1/10W 330 ohm
C20	168-3932-78	0.039uF K	C42	168-1042-78	16V 0.1uF			

REF No.	PART No.	DESCRIPTION	REF No.	PART No.	DESCRIPTION	REF No.	PART No.	DESCRIPTION
R5	033-1041-15	1/10W 100k ohm	R21	033-5621-15	1/10W 5.6k ohm	R40	117-1001-15	1/8W 10 ohm
R6	033-3931-15	1/10W 39k ohm	R22	033-1031-15	1/10W 10k ohm	R41	033-6821-15	1/10W 6.8k ohm
R7	033-1041-15	1/10W 100k ohm	R23	033-1031-15	1/10W 10k ohm	R42	033-6821-15	1/10W 6.8k ohm
R8	033-5611-15	1/10W 560 ohm	R24	033-4731-15	1/10W 47k ohm	R43	033-3331-15	1/10W 33k ohm
R9	033-5611-15	1/10W 560 ohm	R25	033-3931-15	1/10W 39k ohm	R44	033-5631-15	1/10W 56k ohm
R10	033-1011-15	1/10W 100 ohm	R26	033-6831-15	1/10W 68k ohm	R45	116-4711-15	1/4W 470 ohm
R11	033-3911-15	1/10W 390 ohm	R27	033-6831-15	1/10W 68k ohm	R46	117-1811-15	1/8W 180 ohm
R12	033-2221-15	1/10W 2.2k ohm	R28	033-1031-15	1/10W 10k ohm	R47	116-4711-15	1/4W 470 ohm
R13	033-6831-15	1/10W 68k ohm	R29	033-2201-15	1/10W 22 ohm	R48	033-1031-15	1/10W 10k ohm
R14	033-5621-15	1/10W 5.6k ohm	R31	033-8211-15	1/10W 820 ohm	R49	033-1011-15	1/10W 100 ohm
R15	033-1021-15	1/10W 1k ohm	R32	033-5631-15	1/10W 56k ohm	R50	050-0140-74	1/32W 12k ohm x 4J
R16	033-5631-15	1/10W 56k ohm	R33	033-6831-15	1/10W 68k ohm	R60	033-2221-15	1/10W 2.2k ohm
R17	033-1031-15	1/10W 10k ohm	R34	033-3331-15	1/10W 33k ohm	TM1	073-0768-90	TERMINAL
R18	033-1031-15	1/10W 10k ohm	R35	033-6831-15	1/10W 68k ohm	X1	060-1527-90	33.8688MHz
R19	033-5621-15	1/10W 5.6k ohm	R38	033-3931-15	1/10W 39k ohm	PWB	039-2398-20	PWB(WITHOUT COMPONENT)
R20	033-6831-15	1/10W 68k ohm	R39	033-1831-15	1/10W 18k ohm			

Side PWB section(B4) : CD changer mechanism

REF No.	PART No.	DESCRIPTION	REF No.	PART No.	DESCRIPTION	REF No.	PART No.	DESCRIPTION
C101	168-1045-56	0.1uF Z	L102	010-3407-68	NLV32 33uH J	R504	119-5621-15	1/10W 5.6k ohm
C102	168-1042-78	16V 0.1uF	Q101	125-2004-92	RN1402	R505	119-1031-15	1/10W 10k ohm
C104	163-1073-15	6.3V100uF	Q102	131-1188-50	2SB1188PQR	R506	119-1041-15	1/10W 100k ohm
C106	163-1063-35	16V10uF	Q103	193-1758-00	2SD1758TK P,Q,R	R507	119-0000-05	1/10W 0 ohm JW
C107	163-1073-15	6.3V100uF	Q104	193-1758-00	2SD1758TK P,Q,R	R509	119-4731-15	1/10W 47k ohm
C108	168-1042-78	16V 0.1uF	Q105	125-0014-92	DTA114EK	R510	119-1031-15	1/10W 10k ohm
C109	168-1042-78	16V 0.1uF	Q106	125-2004-92	RN1402	R511	119-1031-15	1/10W 10k ohm
C110	168-1042-78	16V 0.1uF	Q502	190-1162-00	2SA1162	R512	050-0145-54	1/16W 47k ohm x4
C111	163-1073-35	16V100uF	Q503	190-1162-00	2SA1162	R513	119-1041-15	1/10W 100k ohm
C112	168-2722-55	2700pF K	Q504	192-2712-00	2SC2712	R514	119-2241-15	1/10W 220k ohm
C113	163-2263-35	16V22uF	Q505	125-2004-92	RN1402	R515	119-2241-15	1/10W 220k ohm
C114	163-2263-35	16V22uF	Q506	125-0014-92	DTA114EK	R516	119-2241-15	1/10W 220k ohm
C115	166-3311-50	330pF CH	Q507	125-0002-92	RN2402	R517	119-1041-15	1/10W 100k ohm
C116	166-3311-50	330pF CH	Q508	192-2712-00	2SC2712	R518	119-2241-15	1/10W 220k ohm
C117	166-1011-50	100pF CH	R101	119-4711-15	1/10W 470 ohm	R522	119-1041-15	1/10W 100k ohm
C118	166-1011-50	100pF CH	R102	119-2231-15	1/10W 22k ohm	R524	119-1041-15	1/10W 100k ohm
C119	168-2722-55	2700pF K	R103	119-1821-15	1/10W 1.8k ohm	R526	119-4731-15	1/10W 47k ohm
C120	168-1022-55	1000pF K	R104	119-1831-15	1/10W 18k ohm	R529	119-1021-15	1/10W 1k ohm
C121	163-2263-35	16V22uF	R105	116-1211-15	1/4W 120 ohm	R531	119-1021-15	1/10W 1k ohm
C122	168-1022-55	1000pF K	R106	119-1041-15	1/10W 100k ohm	R532	119-1021-15	1/10W 1k ohm
C123	163-2263-35	16V22uF	R107	119-4731-15	1/10W 47k ohm	R533	119-1021-15	1/10W 1k ohm
C124	042-0403-55	16V 33uF	R108	119-1031-15	1/10W 10k ohm	R535	119-2231-15	1/10W 22k ohm
C125	042-0403-55	16V 33uF	R109	119-1031-15	1/10W 10k ohm	R536	119-2231-15	1/10W 22k ohm
C501	163-1063-35	16V10uF	R110	119-4741-15	1/10W 470k ohm	R538	119-1031-15	1/10W 10k ohm
C502	168-1045-56	0.1uF Z	R111	119-4741-15	1/10W 470k ohm	R539	119-5631-15	1/10W 56k ohm
C503	168-4735-56	0.047uF Z	R112	119-2731-15	1/10W 27k ohm	R541	119-1021-15	1/10W 1k ohm
C504	168-1045-56	0.1uF Z	R113	119-2731-15	1/10W 27k ohm	R542	119-4721-15	1/10W 4.7k ohm
D100	001-0516-90	MA111	R114	119-2731-15	1/10W 27k ohm	R543	119-1041-15	1/10W 100k ohm
D103	001-0504-07	HZS4BLL	R115	119-2731-15	1/10W 27k ohm	R544	119-1041-15	1/10W 100k ohm
D104	001-0516-90	MA111	R116	119-5611-15	1/10W 560 ohm	R545	119-1041-15	1/10W 100k ohm
D105	001-0529-31	MA8056-L	R117	119-5611-15	1/10W 560 ohm	R546	119-1021-15	1/10W 1k ohm
IC501	051-9400-28	BR93LC46F-WE2	R118	119-4731-15	1/10W 47k ohm	R547	119-1021-15	1/10W 1k ohm
IC502	052-5047-24	M30621MCM-4U9GP	R119	119-4731-15	1/10W 47k ohm	R548	119-1021-15	1/10W 1k ohm
IC503	051-5418-08	S-80827ANMP-EDQ	R120	119-3941-15	1/10W 390k ohm	R549	119-1021-15	1/10W 1k ohm
IC504	051-1407-90	NJM4556AM	R121	119-1041-15	1/10W 100k ohm	X501	060-1505-50	10MHz
J101	074-1189-95	45P	R123	119-1041-15	1/10W 100k ohm	PWB	039-2433-20	PWB(WITHOUT COMPONENT)
J102	074-1191-22	22P	R124	119-1041-15	1/10W 100k ohm			
L101	010-3071-65	18uH	R125	119-1041-15	1/10W 100k ohm			
			R126	119-2221-15	1/10W 2.2k ohm			

Sensor PWB section(B5) : CD changer mechanism

REF No.	PART No.	DESCRIPTION	REF No.	PART No.	DESCRIPTION	REF No.	PART No.	DESCRIPTION
PT3	060-0252-01	PT4850F	PT6	060-0252-01	PT4850F	PWB	039-1956-00	PWB(WITHOUT COMPONENT)
PT4	060-0252-01	PT4850F	S1	013-7414-50	SPVG22			
PT5	060-0252-01	PT4850F						

PIM-FPC section(B6) : CD changer mechanism

REF No.	PART No.	DESCRIPTION
IC5	051-5806-02	GPIS95

Driver PWB section(B7) : CD changer mechanism

REF No.	PART No.	DESCRIPTION	REF No.	PART No.	DESCRIPTION	REF No.	PART No.	DESCRIPTION
C1	168-1045-56	0.1uF Z	J1	074-1239-76	26P	R3	032-0104-59	1/4W 2.2 ohm
C2	163-1073-35	16V100uF	J2	074-1100-59	9P	S2	013-7412-50	SPVG21
D1	001-0529-29	MA8051-M	R1	033-1021-15	1/10W 1k ohm	PWB	039-2242-00	PWB(WITHOUT COMPONENT)
IC1	051-6044-18	BA6920FP-Y	R2	032-0104-59	1/4W 2.2 ohm			

PIV-FPC section(B8) : CD changer mechanism

REF No.	PART No.	DESCRIPTION
IC6	051-5806-01	GPIS93

LED-L-PWB(B9) section : CD changer mechanism

REF No.	PART No.	DESCRIPTION	REF No.	PART No.	DESCRIPTION	REF No.	PART No.	DESCRIPTION
LED3	001-7042-00	GL4800	LED4	001-7042-00	GL4800	PWB	039-1954-20	PWB(WITHOUT COMPONENT)

LED-R-PWB(B10) section : CD changer mechanism

REF No.	PART No.	DESCRIPTION	REF No.	PART No.	DESCRIPTION	REF No.	PART No.	DESCRIPTION
LED5	001-7042-00	GL4800	LED6	001-7042-00	GL4800	PWB	039-1955-20	PWB(WITHOUT COMPONENT)

L-Motor-FPC(B11) section : CD changer mechanism

REF No.	PART No.	DESCRIPTION
M1	SMA-186-100	LOADING

M/S-FPC(B12) section : CD changer mechanism

REF No.	PART No.	DESCRIPTION	REF No.	PART No.	DESCRIPTION	REF No.	PART No.	DESCRIPTION
M2	SMA-185-101	SPINDLE	M3	SMA-191-100	SLED	S3	013-7414-50	SPVG22