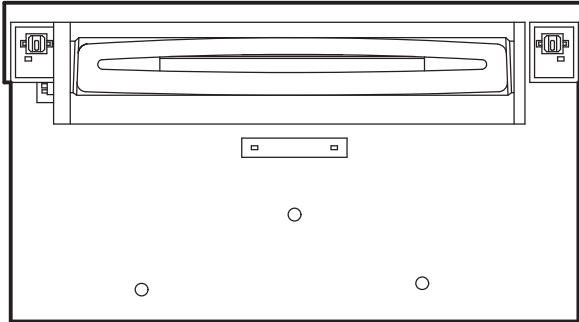


Service Manual



NISSAN Genuine (BOSE Type)
 Cockpit Module
 AM/FM Radio Stereo
 6-CD Changer Deck

Model PN-2701B-B
 (Genuine No. 28185 EH20A)
 (Xanavi Genuine No. CD6K-1211U)

ORIGINAL SERVICE MANUAL

This additional service manual is designed to be used together with Model PN-2714B-A

This manual has described only the difference point with the original service manual.

Original model	Manual No.
PN-2714B-A	298-6224-00

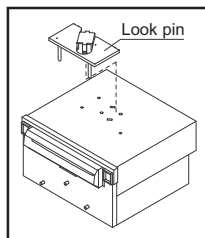
DIFFERENCE FROM ORIGINAL MODEL

This unit supports the 16-figure display of Satellite radio.
 IC402 Audio CPU different.

Parts that have been described to this manual have changed for the performance improvement.

NOTE

- * In case that the main unit or the CD changer mechanism is transported for repair, the lock pin(966-0653-21) must be set to fix the mechanism assy.
- * We cannot supply PWB with component parts in principle. When a circuit on PWB has failure, please repair it by component parts base. Parts which are not mentioned in service manual are not supplied.
- * This product includes technology owned by Microsoft Corporation and cannot be used or distributed without a license from MSLGP.
- * Specifications and design are subject to change without notice for further improvement.



COMPONENTS

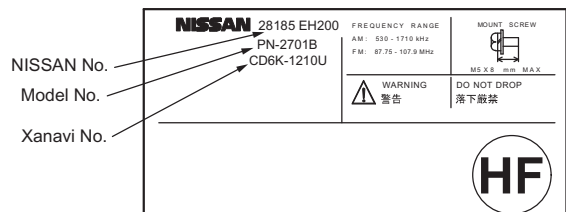
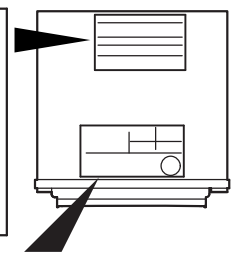
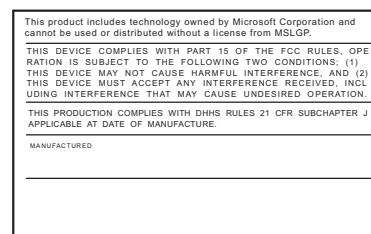
PN-2714B-B

1.	Main unit	-----	1
2.	Lock pin	966-0653-21	1

CAUTIONS

Use of controls, adjustment, or performance of procedures other than those specified herein, may result in hazardous radiation exposure.

The compact disc player should not be adjusted or repaired by anyone except properly qualified service personnel.



DIFFERENCE FROM ORIGINAL EXPLODED VIEW/PARTS LIST

Main section

*Refer to the figure on page 9 of original manual.The following parts were changed.

NO.	PART NO.	DESCRIPTION	Q'TY	NO.	PART NO.	DESCRIPTION	Q'TY
8	880-1728K	TUNERPACK	1	31	929-0731-81	CD CHANGER MODULE	1
28	347-7359-01	EARTHSHEET	1	36	286-6469-13	SETPLATE	1

DIFFERENCE FROM ORIGINAL ELECTRICAL PARTS LIST

Switch PWB section(B1)

*Refer to the parts list on page 14 of original manual.The following parts were changed.

REF No.	PART No.	DESCRIPTION
J801	074-3010-60	10P SOCKET

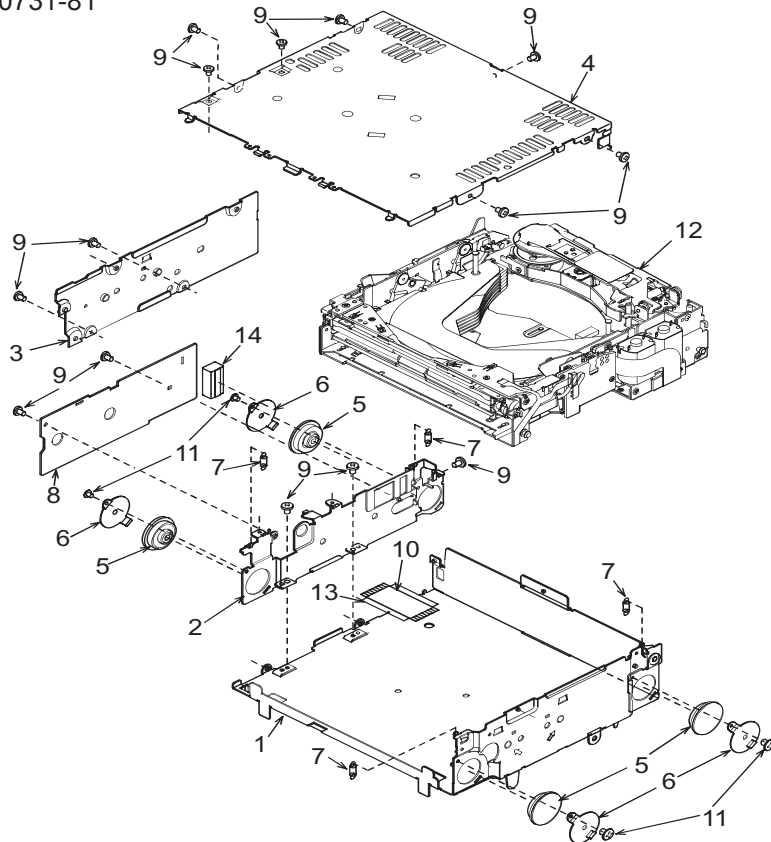
Main PWB section(B2)

*Refer to the figure on page 14 and 15 of original manual.The following parts were changed.

REF No.	PART No.	DESCRIPTION
BL161	880-1728K	TUNERPACK
IC402	052-3188-83	M30853FHGP

EXPLODED VIEW/PARTS LIST

CD changer module section:929-0731-81

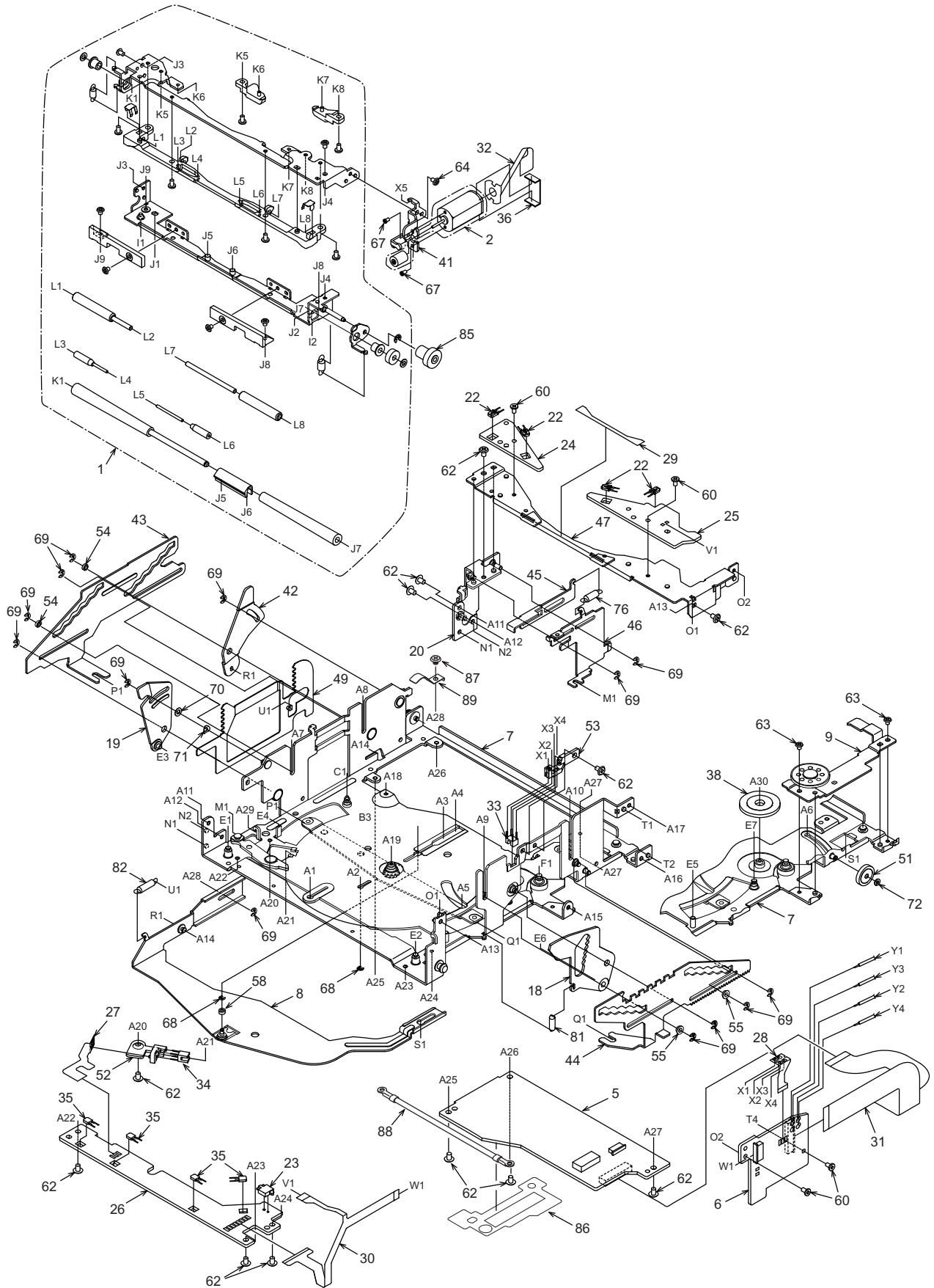


NO.	PART NO.	DESCRIPTION	Q'TY	NO.	PART NO.	DESCRIPTION	Q'TY
1	311-1864-24	LOWER CASE	1	8	-----	CD PWB	1
2	331-3896-22	PWB-HOLDER	1	9	716-1716-02	SCREW(M2x3)	14
3	305-0334-20	SIDE CASE	1	10	HBS-561-100	FPC	1
4	310-1741-28	UPPERCASE	1	11	716-3450-00	SCREW(M1.7x2)	4
5	629-0083-01	DAMPER	4	12	-----	CD CHANGER MECHANISM	1
6	620-1086-20	DAMPER-H-PLT	4	13	347-6619-00	INSULATOR	1
7	750-3491-00	FL-SPRING	4	14	345-8748-00	GASKET	1

* No.12 : Refer to CD changer mechanism section.(page 4 - 6)

CD changer mechanism section

*Please see the parts list on page 6.

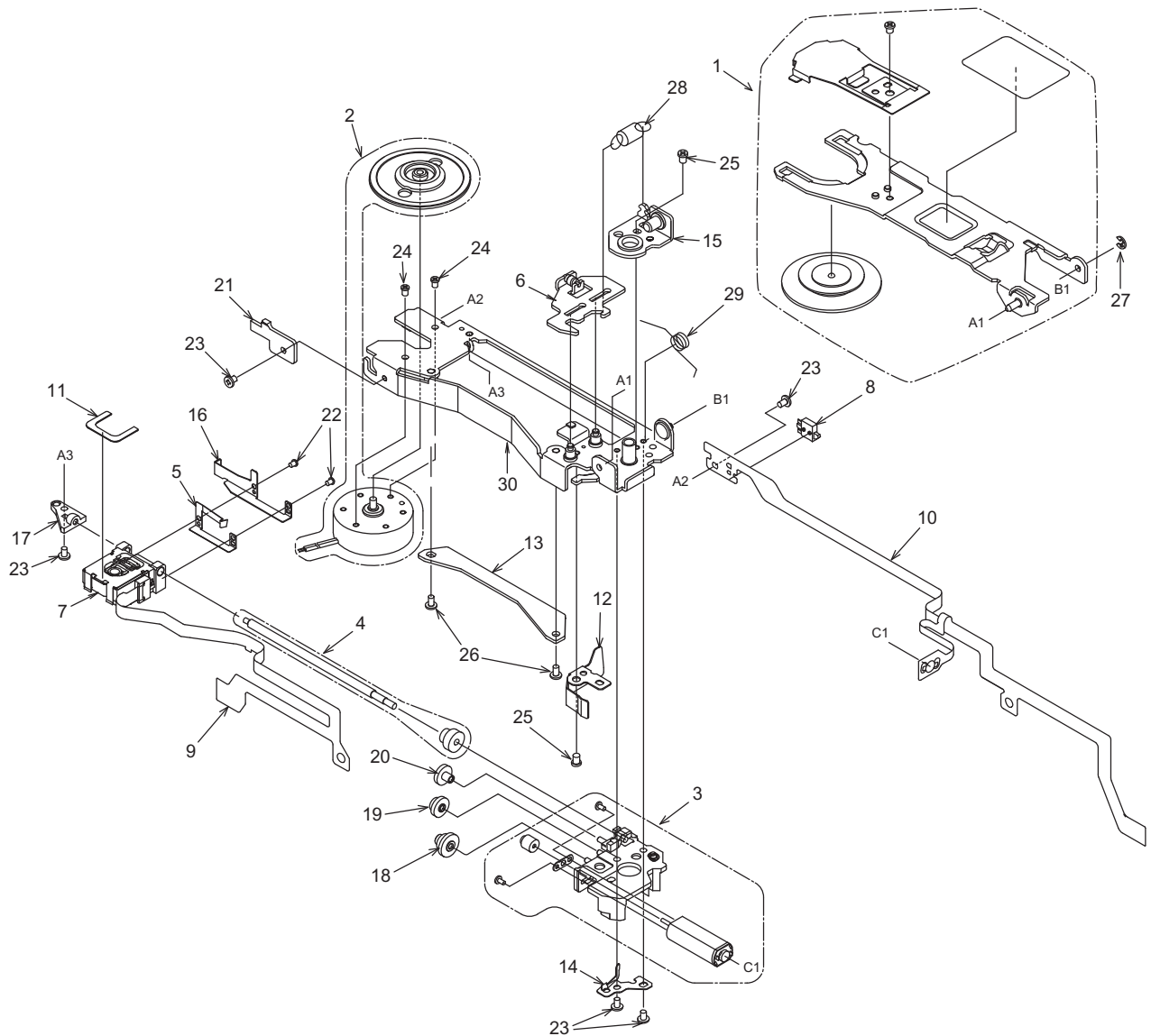


CD changer mechanism section

NO.	PART NO.	DESCRIPTION	Q'TY	NO.	PART NO.	DESCRIPTION	Q'TY
1	HBS-562-100	LOADINGUNIT (WITHOUT MOTOR)	1	45	620-1071-21	EJECTARM	1
2	SMA-186-100	LOADING MOTOR ASSY	1	46	620-1072-20	EJECTPLATE	1
3	HBS-530-100	MOTOR PLATE SUB ASSY	1	47	620-1577-20	FRONT PLATE	1
4	HBS-531-104	DRIVEUNIT	1	48	620-1083-20	FPC-PLATE	1
5	-----	DSP PWB	1	49	620-1090-20	GAP PLATE	1
6	-----	DRIVERPWB	1	50	620-1568-21	RATTLE PLATE-F	2
7	966-1751-22	CHASSIS ASSY	1	51	621-0640-20	V-GEAR-G	1
8	966-0600-23	LOCK-P-RE-ASSY	1	52	621-0641-21	PI-HOLDER-M	1
9	966-0601-21	M-GEAR-P-ASSY	1	53	621-0656-21	PI-HOLDER-V	1
10	966-0602-26	DR-LINK-ASSY	1	54	622-1622-20	SL-G-ROLLER	2
11	966-0603-21	MODE-P-ASSY	1	55	622-1623-00	SL-G-ROLLER-R	2
12	966-0604-26	LOCK-PF-ASSY	1	56	622-1648-23	DU-STP-SLEEVE	1
13	966-0605-20	SHIFT-P-ASSY	1	57	622-1650-23	COV-PLATE PIN-B	2
14	966-0606-23	HLC-PLATE-ASSY	1	58	622-1651-00	LOCK-RE-ROLLER	1
15	966-1788-22	COV-PLATE-ASSY	1	59	622-1652-00	LOCK-PF-ROLLER	1
16	HBS-535-100	TOP-PLATE-ASSY	1	60	716-1866-50	SCREW(M1.7x3)	4
17	966-0652-24	DR-BASE-P-ASSY	1	61	716-1873-00	SCREW(M2x1.6)	1
18	966-0615-21	LOCK-L-RF-ASSY	1	62	716-3449-00	SCREW(M2x3)	15
19	966-0616-20	LOCK-L-LF-ASSY	1	63	716-3450-00	SCREW(M1.7x2)	4
20	966-0618-21	EJECT-B-ASSY	1	64	716-3451-01	SCREW(M1.7x2.5)	4
21	966-1742-20	DISC-HOL-ASSY	1	65	716-3459-01	SCREW(M1.7x5)	1
22	001-7042-00	DIODE (GL4800)	4	66	716-3466-53	SCREW(M2x6)	1
23	013-7414-50	DETECTORSWITCH	1	67	738-1422-1B	PRECISIONSCREW	2
24	-----	LED-L-PWB	1	68	743-1200-10	E-RING	2
25	-----	LED-R-PWB	1	69	743-1500-10	E-RING	13
26	-----	SENSORPWB	1	70	746-0624-00	WASHER	1
27	039-2009-00	PIM-FPC (WITHOUT COMPONENT)	1	71	746-0712-23	WASHER	1
28	039-2010-00	PIV-FPC (WITHOUT COMPONENT)	1	72	746-0761-00	WASHER	1
29	039-2011-01	LED-FPC	1	73	750-3478-01	TOP-P-SP-L	2
30	039-2012-00	SENSOR-FPC	1	74	750-3479-01	TOP-P-SP-R	1
31	039-2013-04	MOS-FPC	1	75	750-3480-01	DR-LOCK-SP	1
32	039-2014-01	L-MOTOR-FPC (WITHOUT COMPONENT)	1	76	750-3483-00	EJECT-A-SPRING	1
33	051-5806-01	IC (GPIS93)	1	77	750-3484-01	DR-BASE-SPRING	1
34	051-5806-02	IC (GPIS95)	1	78	750-3485-01	TENSION-SP-L	1
35	060-0252-01	PHOTO-TR	4	79	750-3486-01	LO-TENSION-SP	1
36	347-6657-01	LO-COVERSHEET	1	80	750-3489-01	DRIVE-P-SPRING	1
37	620-1041-26	GEAR PLATE	1	81	750-3496-00	GAP-P-SPRINGR	1
38	620-1042-20	M-GEAR-H	1	82	750-3497-00	GAP-P-SPRING L	1
39	620-1056-22	HLR-PLATE-L	1	83	750-6711-01	DU-STP-SPRING	1
40	620-1580-20	HLR-PLATE-R	1	84	750-6712-01	DR-LOCK-SP-B	1
41	620-1576-20	LO-MOTOR-PLT	1	85	621-0651-22	LOAD GEAR-A	1
42	620-1066-20	LOCK LINK-LR	1	86	347-7860-20	FPC COVER	1
43	620-1067-21	SLIDE PLATE-L	1	87	716-1850-01	SCREW	1
44	620-1068-22	SLIDE PLATE-R	1	88	854-4348-01	EXTENSION LEAD	1
				89	620-1604-20	DR-PLATE-SCREW	1

*No.4 : Refer to the next Page.

Drive unit section : Drive unit : HBS-531-104



NO.	PART NO.	DESCRIPTION	Q'TY	NO.	PART NO.	DESCRIPTION	Q'TY
1	HBS-532-101	CLAMPER SUB ASSY	1	16	620-1730-81	SCREW-HOL-PLT	1
2	SMA-193-101	SPINDLE MOTOR ASSY	1	17	621-0670-20	LS-HOLDER-L	1
3	SMA-191-100	SLED MOTOR ASSY	1	18	621-0673-20	D-GEAR A	1
4	HBS-515-103	LS-ASSY	1	19	621-0674-20	D-GEAR B	1
5	620-1587-83	SH-SP-PLT	1	20	621-0675-20	D-GEAR C	1
6	HBS-542-101	D-SHIFT-P-ASSY	1	21	621-0683-21	DU-STOPPER	1
7	969-0011-01	PICK UP-ASSY	1	22	716-3511-01	SCREW(M1.4x3)	2
8	013-7414-50	DETECTSWITCH	1	23	716-3470-01	SCREW(M1.7x3)	5
9	039-2015-02	P/U-FPC	1	24	738-1720-1H	PRECISION SCREW(M1.7x2)	2
10	039-2016-02	M/S-FPC (WITHOUT COMPONENT)	1	25	738-2025-1H	PRECISION SCREW(M2x2.5)	2
11	347-6632-00	PU-SHEET	1	26	716-3474-01	SCREW(M1.7x3)	2
12	620-1078-21	PUSH PLATE	1	27	743-1500-20	E-RING	1
13	620-1080-22	PU-GUIDEPLATE	1	28	750-3487-00	SHIFT-P-SPRING	1
14	620-1081-20	SCREW PUSH-PLT	1	29	750-3504-00	CLAMP-A-SPRING	1
15	966-0650-20	SPRING PLT ASSY	1	30	966-0649-02	DRIVE PLT-ASSY	1

J801 074-3010-60 10P SOCKET

ELECTRICAL PARTS LIST(CD changer mechanism)

CD PWB section(B4)

REF No.	PART No.	DESCRIPTION	REF No.	PART No.	DESCRIPTION	REF No.	PART No.	DESCRIPTION
C1	168-4735-56	0.047uF Z			FW6GP	R25	119-1031-15	1/10W 10k ohm
C2	168-4735-56	0.047uF Z	IC4	051-9402-78	BR93L56RFVM-W	R26	119-4721-15	1/10W 4.7k ohm
C4	168-1222-55	1200pF K	IC5	051-3332-90	NJU7222U33	R27	119-1031-15	1/10W 10k ohm
C5	163-2263-35	16V22uF	IC6	051-3293-90	BA033SFP-E2	R28	119-1041-15	1/10W 100k ohm
C6	168-1222-55	1200pF K	J1	074-1189-95	45P	R29	119-1041-15	1/10W 100k ohm
C12	168-1222-55	1200pF K	J3	074-1237-70	20P	R31	119-4731-15	1/10W 47k ohm
C15	168-1222-55	1200pF K	P1	076-0478-55	PLUG	R32	119-0000-05	1/10W 0 ohm JW
C16	163-2263-35	16V22uF	Q3	190-1162-00	2SA1162	R35	119-0000-05	1/10W 0 ohm JW
C18	168-1045-56	0.1uF Z	Q4	198-3018-00	2SK3018	R36	119-4731-15	1/10W 47k ohm
C19	166-1011-50	100pF CH	Q5	131-1188-50	2SB1188PQR	R37	119-4731-15	1/10W 47k ohm
C21	168-1032-55	0.01uF K	Q6	198-3018-00	2SK3018	R38	119-2231-15	1/10W 22k ohm
C22	168-1045-56	0.1uF Z	Q7	125-2004-92	RN1402	R39	119-2231-15	1/10W 22k ohm
C23	168-1045-56	0.1uF Z		125-2020-92	RN1402TE85L	R40	119-2231-15	1/10W 22k ohm
C24	168-1032-55	0.01uF K	Q8	125-2004-92	RN1402	R41	119-4711-15	1/10W 470 ohm
C25	163-1073-15	6.3V100uF		125-2020-92	RN1402TE85L	R42	119-2231-15	1/10W 22k ohm
C26	178-1052-78	1uF	Q9	125-0014-92	DTA114EK	R43	119-2241-15	1/10W 220k ohm
C27	168-1045-56	0.1uF Z		125-0002-92	RN2402TE85L	R60	119-0000-05	1/10W 0 ohm JW
C28	042-0671-01	10V 47uF TA	Q53	193-0601-00	2SD601A	R530	119-4731-15	1/10W 47k ohm
C29	168-1045-56	0.1uF Z	R2	119-2211-15	1/10W 220 ohm	R550	119-4731-15	1/10W 47k ohm
C30	178-3342-78	0.33uF	R4	119-4731-15	1/10W 47k ohm	TM1	073-0768-90	TERMINAL
C31	042-1673-00	10V 220uF	R8	119-4731-15	1/10W 47k ohm	TM2	073-0766-90	TERMINAL
CCT4	050-0140-55	1/32W 2.2k ohmx4J	R10	119-2211-15	1/10W 220 ohm	TM4	073-0766-90	TERMINAL
CCT5	050-0145-54	1/16W 47k ohm x4	R13	119-1041-15	1/10W 100k ohm	TM5	073-0766-90	TERMINAL
CCT6	050-0145-53	1/16W 220k ohm x4 J	R14	119-2221-15	1/10W 2.2k ohm	X1	060-1533-90	CSTCE10M0G52-R0
D2	001-2610-90	RB480KTL	R15	119-1041-15	1/10W 100k ohm	PWB	039-2532-20	PWB(WITHOUT COMPONENT)
IC2	051-5445-08	BD5227G-TR	R16	119-1021-15	1/10W 1k ohm			
IC3	052-5061-02	M30621MCM-	R20	119-4731-15	1/10W 47k ohm			
			R24	119-4731-15	1/10W 47k ohm			

DSP PWB section(B5)

REF No.	PART No.	DESCRIPTION	REF No.	PART No.	DESCRIPTION	REF No.	PART No.	DESCRIPTION
C1	042-0671-01	10V 47uF TA	C44	046-6812-58	680pF	IC10	051-3315-90	TPS76316DBVR
C2	168-4735-56	0.047uF Z	C45	168-1045-56	0.1uF Z	IC11	051-7221-58	SN74AHC1G04
C3	046-4722-58	4700pF	C46	168-1045-56	0.1uF Z			HDCKR
C4	046-1032-78	0.01uF	C47	042-0671-01	10V 47uF TA	IC12	051-7525-08	SN74LVC2GU04
C5	168-1045-56	0.1uF Z	C48	168-5632-78	16V 0.056uF			DCKR
C6	042-0671-01	10V 47uF TA	C49	168-1045-56	0.1uF Z	IC13	051-7526-08	SN74LVC1G126
C7	168-1045-56	0.1uF Z	C50	168-1045-56	0.1uF Z			DCKR
C8	168-1045-56	0.1uF Z	C51	168-1045-56	0.1uF Z	J1	074-1201-65	15P
C9	045-1007-50	10pF	C53	168-1045-56	0.1uF Z	J2	074-1138-56	6P
C10	168-1045-56	0.1uF Z	C54	042-0671-01	10V 47uF TA	J3	074-1059-76	26P
C11	045-1007-50	10pF	C56	168-4712-55	470pF K	J4	074-1189-95	45P
C12	168-1045-56	0.1uF Z	C57	046-1032-78	0.01uF	J5	074-1201-60	10P
C13	042-0672-00	25V 47uF TA	C58	168-4712-55	470pF K	L2	010-3104-54	600ohm / 100MHZ
C14	168-4735-56	0.047uF Z	C59	168-1045-56	0.1uF Z	L3	010-3104-54	600ohm / 100MHZ
C15	168-4735-56	0.047uF Z	C60	168-1045-56	0.1uF Z	Q1	131-1188-50	2SB1188PQR
C16	168-4735-56	0.047uF Z	C61	046-1032-78	0.01uF	Q2	131-1188-50	2SB1188PQR
C17	178-1052-78	1uF	C62	042-0671-01	10V 47uF TA	Q3	125-2004-92	RN1402
C18	045-4701-50	47pF	C63	046-1032-78	0.01uF		125-2020-92	RN1402TE85L
C19	168-1045-56	0.1uF Z	C64	168-1045-56	0.1uF Z	R1	033-1021-15	1/10W 1k ohm
C20	046-4712-58	470pF	C65	045-1201-50	12pF	R2	033-1021-15	1/10W 1k ohm
C21	046-4712-58	470pF	C66	046-1032-78	0.01uF	R3	033-3311-15	1/10W 330 ohm
C22	168-1045-56	0.1uF Z	C67	046-1032-78	0.01uF	R4	033-2211-15	1/10W 220 ohm
C23	046-1532-78	0.015uF	C68	168-1045-56	0.1uF Z	R5	033-2211-15	1/10W 220 ohm
C24	168-1045-56	0.1uF Z	C69	045-1201-50	12pF	R6	033-1021-15	1/10W 1k ohm
C25	046-6822-58	6800pF	C101	046-1032-78	0.01uF	R7	033-1051-15	1/10W 1M ohm
C26	046-1032-78	0.01uF	C102	046-1032-78	0.01uF	R8	033-0000-05	1/10W 0 ohm
C28	046-1022-58	1000pF	CCT1	050-0140-68	1/32W 3.3k ohm x4J	R10	033-5621-15	1/10W 5.6k ohm
C29	046-3332-78	0.033uF	CCT4	050-0140-63	1/32W 47k ohm x4J	R11	033-4731-15	1/10W 47k ohm
C32	046-4722-58	4700pF	D1	001-0367-91	1SS226	R12	119-3341-15	1/10W 330k ohm
C33	046-1522-58	1500pF	D2	001-2610-90	RB480KTL	R13	033-2231-15	1/10W 22k ohm
C34	168-1045-56	0.1uF Z	IC2	051-6399-00	TC94A15F	R14	033-2231-15	1/10W 22k ohm
C35	046-1532-78	0.015uF	IC3	051-6060-08	BD7961FM-E2	R15	117-1001-15	1/8W 10 ohm
C36	168-1045-56	0.1uF Z	IC4	051-7518-18	SN74LVC139APWR	R16	033-5631-15	1/10W 56k ohm
C37	168-1045-56	0.1uF Z	IC5	052-5062-04	MBM29DL800BA-90PFTN	R17	033-3331-15	1/10W 33k ohm
C38	042-0671-01	10V 47uF TA				R18	033-6831-15	1/10W 68k ohm
C39	178-1052-78	1uF	IC6	051-7518-18	SN74LVC139APWR	R19	033-6831-15	1/10W 68k ohm
C40	045-6801-50	68pF	IC7	051-9330-00	K4S641632F-TC60	R20	033-1011-15	1/10W 100 ohm
C41	168-1045-56	0.1uF Z	IC8	051-7203-48	SN74LV74APW	R21	116-4711-15	1/4W 470 ohm
C42	178-1052-78	1uF	IC9	051-6700-00	TMS320DA140	R22	117-1811-15	1/8W 180 ohm
C43	042-0671-01	10V 47uF TA			PGE160	R23	116-4711-15	1/4W 470 ohm

REF No.	PART No.	DESCRIPTION
R24	033-2231-15	1/10W 22k ohm
R25	033-2231-15	1/10W 22k ohm
R26	033-2231-15	1/10W 22k ohm
R27	033-1011-15	1/10W 100 ohm
R28	033-4731-15	1/10W 47k ohm
R29	033-2231-15	1/10W 22k ohm
R30	033-4721-15	1/10W 4.7k ohm
R31	033-4721-15	1/10W 4.7k ohm
R32	033-4731-15	1/10W 47k ohm
R33	033-4731-15	1/10W 47k ohm
R35	033-4731-15	1/10W 47k ohm
R36	033-3311-15	1/10W 330 ohm
R37	033-4731-15	1/10W 47k ohm
R38	033-3311-15	1/10W 330 ohm
R39	033-2211-15	1/10W 220 ohm
R40	033-1011-15	1/10W 100 ohm

REF No.	PART No.	DESCRIPTION
R41	033-1001-15	1/10W 10 ohm
R42	033-1001-15	1/10W 10 ohm
R45	033-1011-15	1/10W 100 ohm
R46	033-4731-15	1/10W 47k ohm
R47	033-4731-15	1/10W 47k ohm
R48	033-1011-15	1/10W 100 ohm
R49	033-0000-05	1/10W 0 ohm
R50	033-0000-05	1/10W 0 ohm
R51	033-8231-15	1/10W 82k ohm
R52	033-0000-05	1/10W 0 ohm
R53	033-4731-15	1/10W 47k ohm
R63	033-2231-15	1/10W 22k ohm
R64	033-2231-15	1/10W 22k ohm
R65	033-4731-15	1/10W 47k ohm
R66	033-4731-15	1/10W 47k ohm
R100	033-1011-15	1/10W 100 ohm

REF No.	PART No.	DESCRIPTION
R101	033-1011-15	1/10W 100 ohm
R102	033-1011-15	1/10W 100 ohm
R103	033-1011-15	1/10W 100 ohm
R104	033-1011-15	1/10W 100 ohm
R105	033-1011-15	1/10W 100 ohm
R106	033-1011-15	1/10W 100 ohm
R107	033-4731-15	1/10W 47k ohm
R200	033-1051-15	1/10W 1M ohm
R201	033-1021-15	1/10W 1k ohm
R202	033-1021-15	1/10W 1k ohm
R220	033-4731-15	1/10W 47k ohm
R301	119-2231-15	1/10W 22k ohm
R302	119-3911-15	1/10W 390 ohm
X1	061-3534-90	16.92MHz
PWB	039-2531-20	PWB(WITHOUT COMPONENT)

Sensor PWB sction(B6)

REF No.	PART No.	DESCRIPTION
PT3	060-0252-01	PT4850F
PT4	060-0252-01	PT4850F
PT5	060-0252-01	PT4850F
PT6	060-0252-01	PT4850F

REF No.	PART No.	DESCRIPTION
S1	013-7414-50	SPVG22
PWB	039-1956-00	PWB(WITHOUT COMPONET)

PIM-FPC section(B7)

REF No.	PART No.	DESCRIPTION
IC5	051-5806-02	GPIS95

Driver PWB section(B8)

REF No.	PART No.	DESCRIPTION
C1	168-1045-56	0.1uF
C2	163-1073-35	16V100uF
D1	001-0529-29	MA8051-M
IC1	051-6044-18	BA6920FP-Y

REF No.	PART No.	DESCRIPTION
J1	074-1239-76	26P
J2	074-1100-59	9P
R1	033-1021-15	1/10W 1k ohm
R2	032-0104-59	1/4W 2.2 ohm

REF No.	PART No.	DESCRIPTION
R3	032-0104-59	1/4W 2.2 ohm
S1	013-7412-50	SPVG21
PWB	039-2242-00	PWB(WITHOUT COMPONET)

PIV-FPC section(B9)

REF No.	PART No.	DESCRIPTION
IC6	051-5806-01	GPIS93

LED-L-PWB section(B10)

REF No.	PART No.	DESCRIPTION
LED3	001-7042-00	GL4800
LED4	001-7042-00	GL4800

REF No.	PART No.	DESCRIPTION
PWB	039-1954-20	PWB(WITHOUT COMPONET)

LED-R-PWB section(B11)

REF No.	PART No.	DESCRIPTION
LED5	001-7042-00	GL4800
LED6	001-7042-00	GL4800

REF No.	PART No.	DESCRIPTION
PWB	039-1955-20	PWB(WITHOUT COMPONET)

L-Motor-FPC section(B12)

REF No.	PART No.	DESCRIPTION
M1	SMA-186-100	LOADING

M/S-FPC section(B13)

REF No.	PART No.	DESCRIPTION
M2	SMA-193-102	SPINDLE

REF No.	PART No.	DESCRIPTION
M3	SMA-191-100	SLED

REF No.	PART No.	DESCRIPTION
S2	013-7414-50	SPVG22