

9.1 PACKING

1

2

3

4

A

B

C

D

E

F

X3600UI/XNUC
 X3650UI/XNCS
 X3650UI/XNGS
 X3650UI/XNGS1
 X3690UI/XNID

X36UI/XNUC

X3600UI/XNUC
 X3650UI/XNCS
 X3650UI/XNGS
 X3650UI/XNGS1
 X3690UI/XNID

X3600UI/XNUC
 X3650UI/XNCS
 X3650UI/XNGS
 X3650UI/XNGS1
 X3690UI/XNID

X36UI/XNUC
 X3600UI/XNUC

X36UI/XNUC
 X3600UI/XNUC

X3650UI/XNCS
 X3650UI/XNGS
 X3650UI/XNGS1
 X3690UI/XNID

X3600UI/XNUC
 X3650UI/XNCS
 X3650UI/XNGS
 X3650UI/XNGS1
 X3690UI/XNID

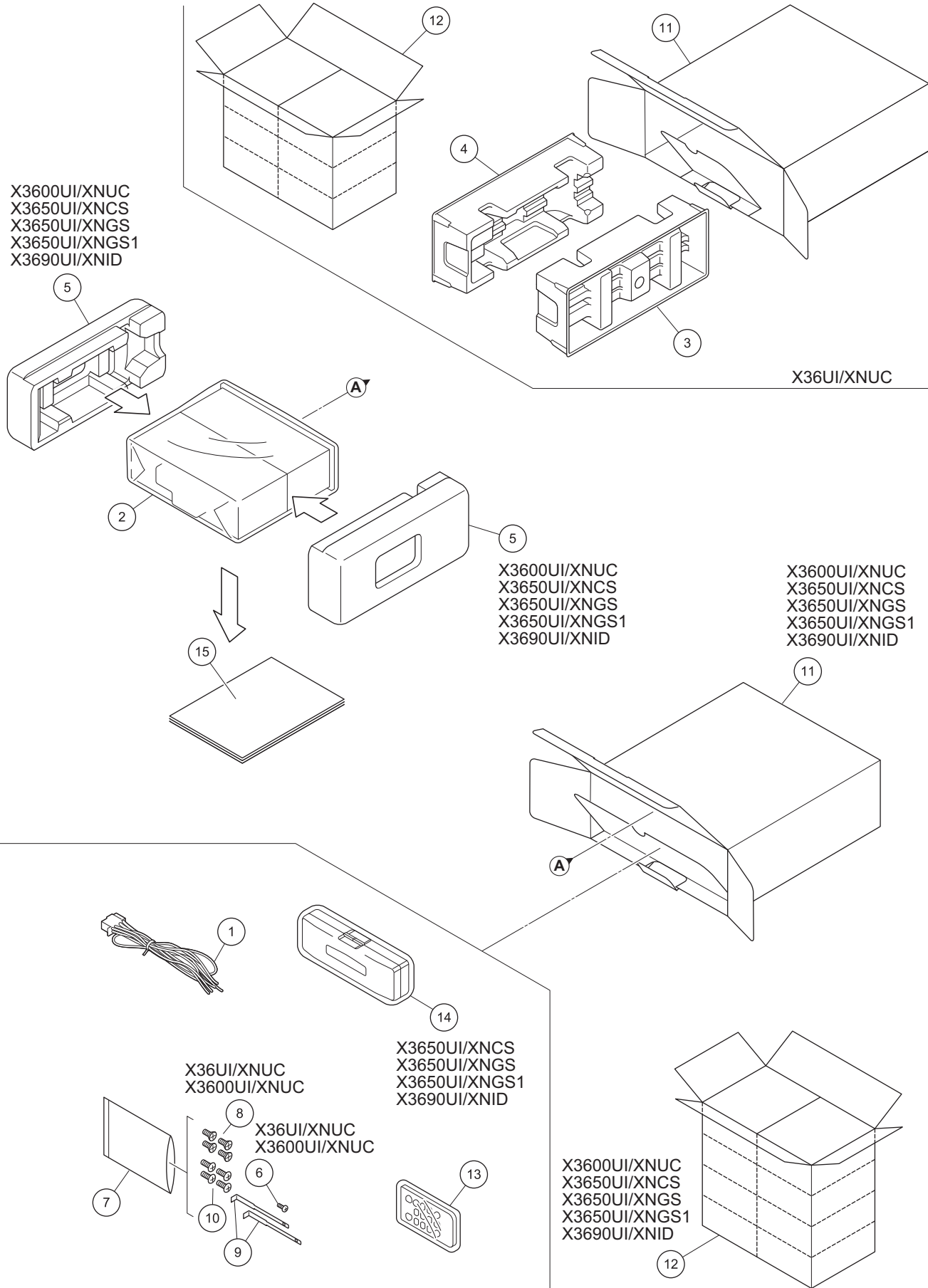
DEH-X36UI/XNUC

1

2

3

4



(1) PACKING SECTION PARTS LIST

<u>Mark No.</u>	<u>Description</u>	<u>Part No.</u>	<u>Mark No.</u>	<u>Description</u>	<u>Part No.</u>
1	Cord Assy	CDP1480	10	Screw	TRZ50P080FTC
2	Polyethylene Bag	See Contrast table (2)	11	Unit Box	See Contrast table (2)
3	Protector	See Contrast table (2)	12	Contain Box	See Contrast table (2)
4	Protector	See Contrast table (2)	13	Card Remote Control Unit	QXE1047
5	Protector	See Contrast table (2)	14	Case Assy	See Contrast table (2)
6	Screw	See Contrast table (2)	15-1	Owner's Manual	See Contrast table (2)
7	Polyethylene Bag	CEG1160			
8	Screw	See Contrast table (2)	*	15-2 Warranty Card	See Contrast table (2)
9	Handle	QNC3021	*	15-3 Service Network	See Contrast table (2)

(2) CONTRAST TABLE

DEH-X36UI/XNUC, DEH-X3600UI/XNUC, DEH-X3650UI/XNCS, DEH-X3650UI/XNGS, DEH-X3650UI/XNGS1 and DEH-X3690UI/XNID are constructed the same except for the following:

Mark	No.	Description	DEH-X36UI/ XNUC	DEH-X3600UI/ XNUC	DEH-X3650UI/ XNCS	DEH-X3650UI/ XNGS	DEH-X3650UI/ XNGS1
	2	Polyethylene Bag	CEG1173	CEG1173	QEG3001	QEG3001	QEG3001
	3	Protector	CHP4103	Not used	Not used	Not used	Not used
	4	Protector	CHP4104	Not used	Not used	Not used	Not used
	5	Protector	Not used	CHP4594	CHP4594	CHP4594	CHP4594
	6	Screw	BPZ20P060FTC	BPZ20P060FTC	Not used	Not used	Not used
	8	Screw	CRZ50P090FTC	CRZ50P090FTC	Not used	Not used	Not used
	11	Unit Box	QHG3481	QHG3480	QHG3482	QHG3483	QHG3484
	12	Contain Box	QHL3481	QHL3480	QHL3482	QHL3483	QHL3484
	14	Case Assy	Not used	Not used	QXA3129	QXA3129	QXA3129
	15-1	Owner's Manual	QRD3201	QRD3201	QRD3202	QRD3203	QRD3203
*	15-2	Warranty Card	QRY3001	QRY3001	Not used	Not used	CRY1394
*	15-3	Service Network	Not used	Not used	Not used	Not used	CRY1395

Mark	No.	Description	DEH-X3690UI/ XNID
	2	Polyethylene Bag	QEG3001
	3	Protector	Not used
	4	Protector	Not used
	5	Protector	CHP4594
	6	Screw	Not used
	8	Screw	Not used
	11	Unit Box	QHG3485
	12	Contain Box	QHL3485
	14	Case Assy	QXA3129
	15-1	Owner's Manual	QRB3343
*	15-2	Warranty Card	CRY1304
*	15-3	Service Network	CRY1305

Owner's Manual, Installation Manual

Part No.	Language
QRD3201	English, French, Spanish(Espanol)
QRD3202	English, Spanish(Espanol), Portuguese(B)
QRD3203	English, Traditional Chinese, Arabic, Persian
QRB3343	English

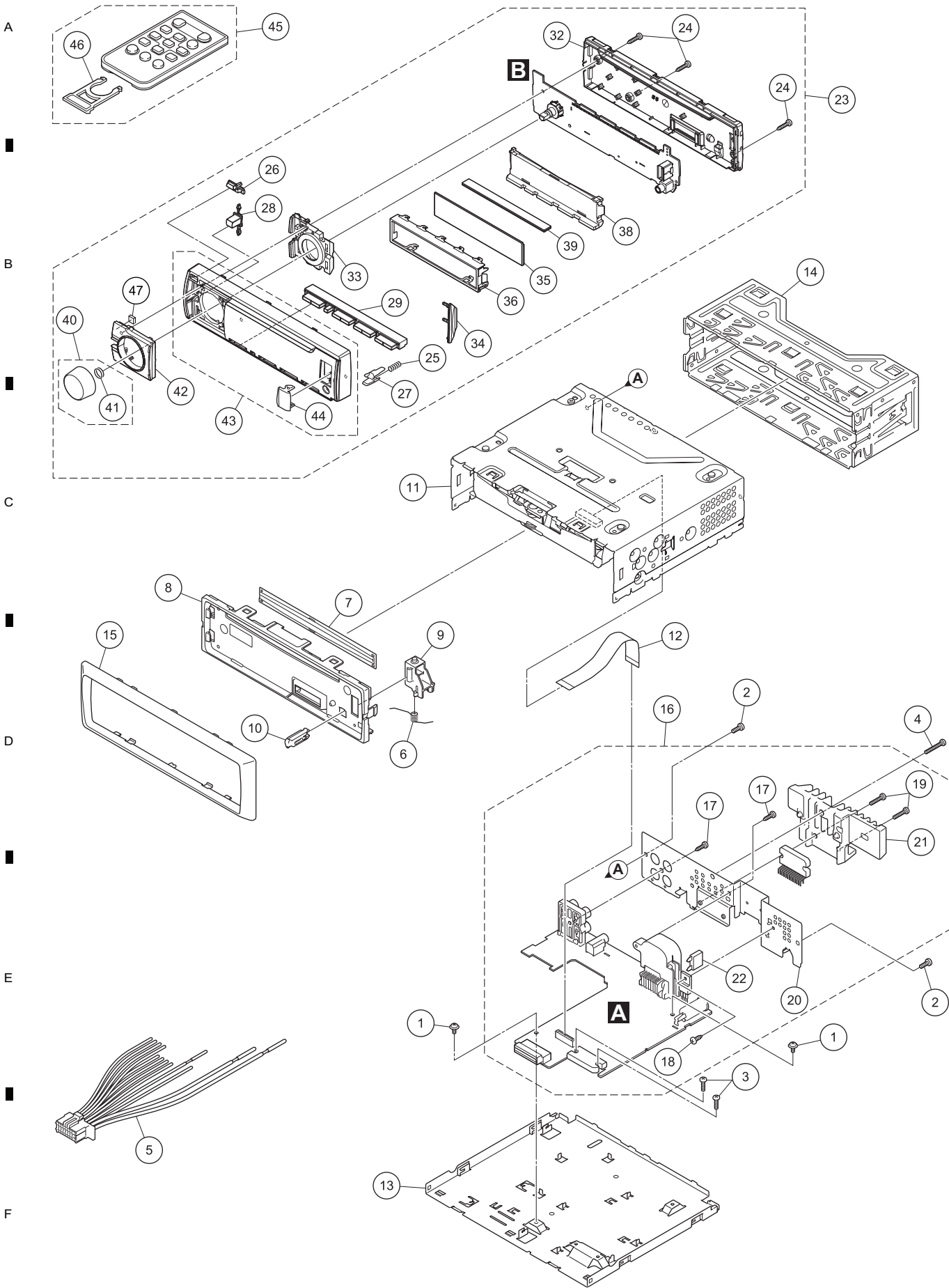
9.2 EXTERIOR

1

2

3

4



DEH-X36UI/XNUC

1

2

3

4

(1) EXTERIOR SECTION PARTS LIST

<u>Mark No.</u>	<u>Description</u>	<u>Part No.</u>	<u>Mark No.</u>	<u>Description</u>	<u>Part No.</u>
1	Screw	ASZ26P050FTC	25	Spring	CBH2210
2	Screw	BSZ26P060FTC	26	Button (EJECT)	QAC3131
3	Screw	BSZ26P080FTC	27	Button (DETACH)	QAC3137
4	Screw	BSZ26P120FTC	28	Button (MIX)	QAC3138
5	Cord Assy	CDP1480	29	Button (1-6)	QAC3140
6	Spring	QBH3001	30	
7	Cover	QNM3029	31	
8	Panel	QNS3126	32	Cover	QNS3615
9	Arm	QNV3025	33	Lighting Conductor	QNV3074
10	Button	QNV3026	34	Lighting Conductor	QNV3075
11	CD Mechanism Module (S11.6VA)CXK5805		35	Segment LCD (V1802)	CAW2041
12	FFC	QDE3029	36	Holder	QNC3068
13	Case	QNB3013	37	
14	Holder	QNC3020	38	Lighting Conductor	QNV3073
15	Panel	QNS3576	39	Rubber Connector	QNV3079
16	Tuner Amp Unit	See Contrast table (2)	40	Knob Unit	QXA3670
17	Screw	BPZ26P080FTC	41	Spring	YBL5010
18	Screw	BSZ26P060FTC	42	Button Unit	QXA3946
19	Screw	BSZ26P120FTC	43	Grille Unit	See Contrast table (2)
20	Holder	QNC3049	44	Door	QAT3012
21	Heat Sink	See Contrast table (2)	45	Card Remote Control Unit	QXE1047
22	Fuse (10 A)	YEK5001	46	Cover	CNS7068
23	Detachable Grille Assy	See Contrast table (2)	47	Cushion	QNM3097
24	Screw	BPZ20P100FTC			

(2) CONTRAST TABLE

DEH-X36UI/XNUC, DEH-X3600UI/XNUC, DEH-X3650UI/XNCS, DEH-X3650UI/XNGS, DEH-X3650UI/XNGS1 and DEH-X3690UI/XNID are constructed the same except for the following:

Mark	No.	Description	DEH-X36UI/ XNUC	DEH-X3600UI/ XNUC	DEH-X3650UI/ XNCS	DEH-X3650UI/ XNGS	DEH-X3650UI/ XNGS1
	16	Tuner Amp Unit	QWM3628	QWM3628	QWM3629	QWM3630	QWM3630
	21	Heat Sink	QNR3010	QNR3010	QNR3010	QNR3002	QNR3002
	23	Detachable Grille Assy	QXA3914	QXA3913	QXA3915	QXA3915	QXA3915
	43	Grille Unit	QXA3959	QXA3958	QXA3960	QXA3960	QXA3960

Mark	No.	Description	DEH-X3690UI/ XNID
	16	Tuner Amp Unit	QWM3631
	21	Heat Sink	QNR3002
	23	Detachable Grille Assy	QXA3916
	43	Grille Unit	QXA3961

CD MECHANISM MODULE SECTION PARTS LIST

<u>Mark No.</u>	<u>Description</u>	<u>Part No.</u>	<u>Mark No.</u>	<u>Description</u>	<u>Part No.</u>
1		50	Damper	CNW1198
2	Screw	BSZ20P040FTC	51	Arm	CNW1726
3	Screw(M2 x 4)	CBA1835	52	Motor Unit(M2)(LOAD/CRG)	CXC4026
4	Washer	CBF1038	53	Screw Unit	CXC8894
5	Spring	CBH3010	54	Arm Assy	CXE6232
6	Spring	CBH2855	55	Washer	CBF1037
7	Spring	CBH2856	56	Washer	CBF1038
8	Spring	CBH2860	57	Arm	CND6242
9	Screw	BSZ26P060FTC	58	Collar	CNW2444
10	Spring	CBH3011	59	Roller	CNW2500
11	Coil Spring	CBH3095	60	Gear Unit	CXE6225
12	Spring	CBH3014	61	Washer	YE15FTC
13	Spring	CBH3015	62	Chassis Unit	CXE4528
14	Spring	CBH3016	63	Motor Unit(M1)(SPDL)	CXE2273
15	Spring	CBH3017	64	Screw	JFZ20P025FTC
16	Spring	CBH3086	65	Screw	JGZ17P022FTC
17	Spring	CBH3019	66	Screw	EBA1028
18		67	CD Core Unit (S11.6VA)	CWX4269
19	Leaf Spring	CBL1824	68	Chassis	CNA3181
20	PU Unit(P11)(Service)	CXX4754			
21	Bracket	CND4553			
22	Arm	CND6406			
23	Bracket	CND6127			
24	Bracket	CND5710			
25	Lever	CND5398			
26	Sheet	CNN3678			
27	Rack	CNV8342			
28	Guide	CNW2240			
29	Roller	CNW1172			
30				
31	Arm	CNW2241			
32	Roller	CNW1175			
33				
34	Arm	CNW1177			
35	Arm	CNW1178			
36	Gear	CNW1180			
37	Gear	CNW1181			
38				
39	Gear	CNW1183			
40	Rack	CNW1184			
41	Gear	CNW1185			
42	Gear	CNW1186			
43	Gear	CNW1187			
44	Gear	CNW2287			
45	Clamper	CNW1190			
46	Arm	CNW1192			
47	Holder	CNW1193			
48	Holder	CNW1194			
49	Damper	CNW1197			

12. ELECTRICAL PARTS LIST

NOTE:

- Parts whose parts numbers are omitted are subject to being not supplied.
- The part numbers shown below indicate chip components.

Chip Resistor

RS1/○S○○○○J,RS1/○○S○○○○J

Chip Capacitor (except for CQS.....)

CKS....., CCS....., CSZS.....

- The \triangle mark found on some component parts indicates the importance of the safety factor of the part. Therefore, when replacing, be sure to use parts of identical designation.
- Meaning of the figures and others in the parentheses in the parts list.

Example) IC 301 is on the point (face A, 91 of x-axis, and 111 of y-axis) of the corresponding PC board.

IC 301 (A, 91, 111) IC NJM2068V

- The expression of the unit in this manual is shown by u instead of μ . Please do not make a mistake.

	<u>Circuit Symbol and No.</u>	<u>Part No.</u>	<u>Circuit Symbol and No.</u>	<u>Part No.</u>
A:	DEH-X36UI/XNUC		IC 552 (A,106,24) IC	BD2232G-G
B:	DEH-X3600UI/XNUC		IC 601 (A,111,77) IC	R5S726A0D216FP
C:	DEH-X3650UI/XNCS		IC 671 (A,131,75) IC	S-80827CNMC-B8M
E:	DEH-X3650UI/XNGS		IC 681 (A,114,94) Flash ROM Unit(A,B)	PEB106A8
F:	DEH-X3650UI/XNGS1		(A,114,94) Flash ROM Unit(C,E,F,G)	PEB103A8
G:	DEH-X3690UI/XNID		IC 801 (A,105,18) L-MOS And Gate	TC7SET08FUS1
Unit Number :	QWM3628(A,B)		IC 911 (A,145,28) Regulator IC	BA49183-V12
Unit Number :	QWM3629(C)		Q 251 (A,14,130) Chip Transistor	RN1910
Unit Number :	QWM3630(E,F)		Q 252 (A,24,131) Chip Transistor	RN1910
Unit Number :	QWM3631(G)		Q 301 (A,86,127) Chip Transistor	RN4983
Unit Number :	QWM3628(A,B)		Q 531 (A,94,97) Transistor	LSAR523UB
Unit Number :	QWM3629(C)		Q 601 (A,93,68) Transistor	LTC014YEB
Unit Number :	QWM3630(E,F)		Q 751 (A,142,139) Transistor	KTD2092
Unit Number :	QWM3631(G)		Q 752 (A,141,134) Chip Transistor	RN4983
Unit Name :	Tuner Amp Unit		Q 871 (A,144,59) Transistor	2SA1577
Unit Number :	QWM3628(A,B)		Q 872 (A,144,67) Transistor	LTC143EUB
Unit Name :	Keyboard Unit		Q 941 (A,96,121) Transistor	LSCR523UB
Unit Number :	CWX4269		D 401 (A,158,107) Diode	RN731VN
Unit Name :	CD Core Unit(S11.6VA)		D 402 (A,158,100) Diode	RN731VN
Unit Number :	QWM3628(A,B)		D 551 (A,23,124) Diode	CMS03
Unit Number :	QWM3629(C)		D 552 (A,22,104) Diode	RB056L-40
Unit Number :	QWM3630(E,F)		D 601 (A,130,81) Diode(A,B)	RB751SM-40
Unit Number :	QWM3631(G)		D 602 (A,91,75) Diode(A,B)	RB551VM-30
Unit Name :	Tuner Amp Unit		D 751 (A,137,135) Diode	DZ2J082M0
Unit Number :	QWM3628(A,B)		D 801 (A,105,15) Diode	DZ2S068C
Unit Number :	QWM3629(C)		D 802 (A,93,17) Diode	DZ2S068C
Unit Number :	QWM3630(E,F)		D 803 (A,126,15) Diode	DZ2S068C
Unit Number :	QWM3631(G)		D 804 (A,119,14) Diode	DZ2S068C
Unit Name :	Tuner Amp Unit		D 805 (A,120,13) Diode	DZ2S068C
Unit Number :	QWM3628(A,B)		D 806 (A,116,13) Diode	DZ2S068C
Unit Number :	QWM3629(C)		D 807 (A,114,13) Diode	DZ2S068C
Unit Number :	QWM3630(E,F)		D 808 (A,117,13) Diode	DZ2S068C
Unit Number :	QWM3631(G)		D 809 (A,112,13) Diode	DZ2S068C
Unit Name :	Tuner Amp Unit		D 901 (A,141,127) Diode	1SR154-400
Unit Number :	QWM3628(A,B)		D 902 (A,137,127) Diode	1SR154-400
Unit Number :	QWM3629(C)		D 911 (A,158,66) Diode	CRG03
Unit Number :	QWM3630(E,F)		D 912 (A,161,66) Diode	CRG03
Unit Number :	QWM3631(G)		D 941 (A,93,125) Diode	DZ2J068M0
Unit Name :	Tuner Amp Unit		L 202 (A,94,102) Inductor	CTF1793
Unit Number :	QWM3628(A,B)		L 401 (A,155,104) Chip Coil	LCTAWR27J2520
Unit Number :	QWM3629(C)		L 402 (A,159,104) Chip Coil	LCTAWR15J2520
Unit Number :	QWM3630(E,F)			
Unit Number :	QWM3631(G)			

MISCELLANEOUS

IC 201 (A,102,107) LSI	PM9013A
IC 301 (A,78,142) IC	PA2032A
IC 401 (A,150,91) IC	TDA7706
IC 531 (A,94,88) IC	337S3959
IC 551 (A,20,111) Regulator IC	BD9876EFJ

5		6		7		8	
<u>Circuit Symbol and No.</u>		<u>Part No.</u>		<u>Circuit Symbol and No.</u>		<u>Part No.</u>	
L 403	(A,151,102) Inductor	CTF1786		R 409	(A,137,97) (E,F,G) (A,144,98) (E,F,G)	RS1/16SS361J	
L 404	(A,146,102) Inductor	CTF1786				RS1/16SS0R0J	
L 405	(A,151,108) Inductor(A,B,C)	LCYB68NJ1608		R 411	(A,138,91) (A,B,C) (A,138,91) (E,F,G)	RS1/16SS681J	A
L 406	(A,148,105) Inductor(A,B,C)	CTF1389		R 412	(A,153,78)	RS1/16SS391J	
L 407	(A,147,107) Chip Coil(E,F,G)	LCTAWR27J2520		R 413	(A,158,78)	RS1/4SA8R2J	
L 408	(A,141,104) Inductor(A,B,C) (A,141,104) Inductor(E,F,G)	LCTC4R7K1608 LCTC1R5K1608		R 414	(A,139,87)	RS1/4SA8R2J	
L 409	(A,143,109) Chip Coil(E,F,G)	LCTAWR39J2520		R 415	(A,152,80)	RS1/16SS0R0J	
L 410	(A,137,94) Chip Coil(A,B,C) (A,137,94) Inductor(E,F,G)	LCTAW470J2520 LCTAW2R2J2520		R 531	(A,91,94)	RS1/16SS473J	
L 413	(A,144,82) Inductor	CTF1786		R 532	(A,91,85)	RS1/16SS222J	
L 419	(A,161,95) Inductor	CTF1786		R 533	(A,92,85)	RS1/16SS222J	
L 420	(A,161,96) Inductor	CTF1786		R 534	(A,94,92)	RS1/16SS272J	
L 551	(A,30,107) Inductor	CTH1524		R 535	(A,95,92)	RS1/16SS472J	
L 801	(A,115,17) Inductor	CTF1713		R 536	(A,96,92)	RS1/16SS472J	B
L 901	(A,112,141) Choke Coil 600 uH	CTH1432		R 537	(A,96,85)	RS1/16SS101J	
X 401	(A,161,88) Crystal Resonator 36.48 MHz	CSS1848		R 538	(A,96,84)	RS1/16SS101J	
X 601	(A,127,76) Crystal Resonator 12 MHz	CSS1847		R 551	(A,26,111)	RS1/16SS682J	
X 602	(A,117,90) Ceramic Resonator 16.934 MHz	CSS1603		R 552	(A,30,112)	RS1/16SS0R0J	
△ P251	(A,6,130) Fuse 3.0 A	CEK1386		R 553	(A,27,112)	RS1/16SS1803D	
P 402	(A,156,111) Surge Absorber	HSPC16701B02		R 554	(A,27,110)	RS1/16SS4302D	
VA801	(A,108,13) SMD Varistor	MLV0402ES012V0010N		R 555	(A,39,124)	RS1/10SR471J	
VA802	(A,101,13) SMD Varistor	MLV0402ES012V0010N		R 602	(A,107,63)	RS1/16SS473J	
CN701	(A,114,32) Connector	VKN1192		R 609	(A,122,64)	RS1/16SS473J	
CN801	(A,109,4) Connector	CKS6452		R 610	(A,122,70)	RS1/16SS473J	
JA251	(A,19,138) Pin Jack	CKB1099		R 611	(A,123,69)	RS1/16SS473J	C
JA401	(A,158,129) Antenna Jack	YKS5041		R 613	(A,122,76)	RS1/16SS152J	
JA891	(A,42,138) Jack	CKS6437		R 614	(A,123,78)	RS1/16SS473J	
JA901	(A,114,141) Connector	CKM1613		R 615	(A,130,79)	RS1/16SS473J	
△ Fuse 10 A		YEK5001		R 616	(A,125,67)	RS1/16SS473J	
RESISTORS				R 617	(A,131,81)	RS1/16SS103J	
R 251	(A,18,131)	RS1/16SS821J		R 618	(A,125,82) (A,B,C) (A,125,82) (E,F)	RS1/16SS473J	
R 252	(A,13,128)	RS1/16SS821J		R 619	(A,126,82) (E,F,G)	RS1/16SS223J	
R 253	(A,15,131)	RS1/16SS223J		R 622	(A,125,87)	RS1/16SS473J	
R 254	(A,12,131)	RS1/16SS223J		R 623	(A,130,85)	RAB4CQ473J	
R 255	(A,30,132)	RS1/16SS821J		R 625	(A,114,90)	RS1/16SS221J	D
R 256	(A,19,131)	RS1/16SS821J		R 626	(A,113,90)	RS1/16SS221J	
R 257	(A,28,131)	RS1/16SS223J		R 627	(A,112,88)	RS1/16SS221J	
R 258	(A,22,131)	RS1/16SS223J		R 628	(A,111,90)	RS1/16SS221J	
R 301	(A,68,127)	RS1/16SS471J		R 629	(A,109,92)	RS1/16SS221J	
R 302	(A,82,125)	RS1/16SS471J		R 630	(A,110,89)	RS1/16SS221J	
R 303	(A,74,127)	RS1/16SS471J		R 631	(A,108,92)	RS1/16SS473J	
R 304	(A,78,126)	RS1/16SS471J		R 632	(A,106,91)	RS1/16SS473J	
R 305	(A,90,127)	RS1/16SS103J		R 633	(A,107,90)	RS1/16SS101J	
R 306	(A,90,129)	RS1/16SS221J		R 634	(A,103,88)	RS1/16SS102J	
R 307	(A,89,128)	RS1/16SS223J		R 635	(A,102,88)	RS1/16SS102J	
R 309	(A,89,125)	RS1/16SS103J		R 636	(A,100,91)	RS1/16SS473J	E
R 310	(A,100,129)	RS1/16SS0R0J		R 637	(A,101,90)	RS1/16SS473J	
R 311	(A,88,125)	RS1/16SS473J		R 638	(A,104,92)	RS1/16SS473J	
R 401	(A,161,106)	RS1/16SS221J		R 639	(A,98,91)	RS1/16SS472J	
R 402	(A,161,100)	RS1/16SS751J		R 640	(A,99,91)	RS1/16SS472J	
R 403	(A,139,104) (A,B,C) (A,139,104) (E,F,G)	RS1/16SS391J RS1/16SS331J		R 643	(A,99,82)	RS1/16SS104J	
R 404	(A,142,99)	RS1/16SS105J		R 644	(A,98,79)	RS1/16SS101J	
R 406	(A,154,108)	RS1/16SS105J		R 645	(A,96,79)	RS1/16SS101J	
R 407	(A,139,96)	RS1/16SS330J		R 646	(A,93,75)	RS1/16SS103J	
R 408	(A,137,97) (A,B,C)	RS1/16SS471J		R 647	(A,98,78)	RS1/16SS101J	
				R 648	(A,95,76)	RS1/16SS102J	F
				R 649	(A,95,75)	RS1/16SS102J	
				R 650	(A,95,74)	RS1/16SS102J	
				R 651	(A,97,71)	RS1/16SS473J	

	1	2	3	4
	<u>Circuit Symbol and No.</u>	<u>Part No.</u>	<u>Circuit Symbol and No.</u>	<u>Part No.</u>
	R 652 (A,98,69)	RS1/16SS222J	R 943 (A,95,125)	RS1/16SS682J
	R 653 (A,100,66)	RS1/16SS103J	R 944 (A,99,123)	RS1/4SA102J
	R 659 (A,124,61)	RS1/16SS153J		
A	R 660 (A,124,60)	RS1/16SS153J		
	R 664 (A,133,62)	RS1/16SS103J	C 201 (A,96,115)	CKSRYB105K10
	R 668 (A,93,71)	RS1/16SS473J	C 202 (A,105,116)	CKSRYB105K10
	R 669 (A,95,69)	RS1/16SS473J	C 203 (A,92,116)	CKSRYB105K10
	R 671 (A,130,69)	RS1/16SS104J	C 204 (A,107,115)	CKSRYB105K10
	R 681 (A,109,97)	RS1/16SS473J	C 205 (A,94,116)	CKSRYB105K10
	R 682 (A,110,91)	RS1/16SS473J		
	R 683 (A,120,92)	RS1/16SS473J	C 206 (A,107,114)	CKSRYB105K10
	R 684 (A,109,94)	RS1/16SS473J	C 207 (A,95,108)	CKSSYB104K10
	R 685 (A,120,96)	RS1/16SS473J	C 208 (A,94,106)	CKSSYB104K10
	R 701 (A,108,38)	RS1/16SS473J	C 209 (A,93,104) 10 uF	CCG1192
B	R 702 (A,114,38)	RS1/16SS104J	C 210 (A,96,106)	CCSSCH151J50
	R 703 (A,118,28)	RAB4CQ472J	C 211 (A,110,107)	CCSSCH151J50
	R 704 (A,110,40)	RS1/16SS104J	C 212 (A,108,109) 10 uF	CCG1192
	R 706 (A,108,36)	RS1/16SS221J	C 213 (A,108,106)	CKSSYB104K10
	R 707 (A,109,38)	RS1/16SS221J	C 214 (A,108,104)	CKSSYB104K10
	R 708 (A,110,38)	RS1/16SS101J	C 215 (A,108,102)	CKSSYB104K10
	R 709 (A,111,38)	RS1/16SS221J	C 216 (A,92,101) 10 uF	CCG1192
	R 710 (A,112,38)	RS1/16SS101J	C 217 (A,95,100)	CKSSYB104K10
	R 711 (A,114,39)	RS1/16SS102J	C 218 (A,114,109)	XCEVW470M16
	R 715 (A,117,36)	RS1/16SS151J	C 219 (A,112,103) 10 uF	CCG1192
	R 716 (A,118,36)	RS1/16SS151J	C 220 (A,106,98) 10 uF	CCG1192
C	R 717 (A,119,36)	RS1/16SS151J	C 223 (A,91,101)	CKSSYB102K50
	R 718 (A,123,36)	RS1/16SS221J	C 224 (A,115,103)	CKSSYB104K10
	R 719 (A,122,36)	RS1/16SS104J	C 229 (A,110,112)	CKSSYB102K50
	R 752 (A,144,134)	RS1/4SA391J	C 236 (A,110,104)	CKSRYB105K10
	R 753 (A,127,91)	RS1/16SS473J	C 251 (A,35,128) 4.7 uF	CCG1201
	R 754 (A,127,92)	RS1/16SS103J	C 252 (A,17,127) 4.7 uF	CCG1201
	R 801 (A,125,22)	RS1/10SR222J	C 253 (A,17,130)	CCSSCH101J50
	R 802 (A,104,15)	RS1/10SR222J	C 254 (A,11,130)	CCSSCH101J50
	R 803 (A,121,18)	RS1/16SS223J	C 255 (A,35,132) 4.7 uF	CCG1201
	R 804 (A,119,18)	RS1/16SS223J	C 256 (A,31,130) 4.7 uF	CCG1201
D	R 805 (A,121,19)	RS1/10SR101J	C 257 (A,26,131)	CCSSCH101J50
	R 806 (A,118,20)	RS1/10SR101J	C 258 (A,21,131)	CCSSCH101J50
	R 807 (A,120,20)	RS1/10SR101J	C 260 (A,33,138)	CKSSYB104K10
	R 808 (A,124,20)	RS1/10SR222J	C 261 (A,6,133)	CKSSYB103K16
	R 809 (A,115,21)	RS1/10SR220J	C 301 (A,69,129)	CKSRYB224K16
	R 810 (A,114,21)	RS1/10SR220J	C 303 (A,80,129)	CKSRYB224K16
	R 811 (A,117,20)	RS1/10SR222J	C 305 (A,72,129)	CKSRYB224K16
	R 812 (A,113,21)	RS1/10SR222J	C 307 (A,77,129)	CKSRYB224K16
	R 813 (A,107,16)	RS1/10SR222J	C 313 (A,84,130)	CKSRYB105K16
	R 814 (A,101,19)	RS1/10SR222J	C 314 (A,135,126)	CKSRYB104K16
	R 815 (A,100,19)	RS1/16SS822J	C 317 (A,60,129)	XCEVW100M16
E	R 816 (A,96,19)	RS1/10SR222J	C 319 (A,62,134)	CCSSCH101J50
	R 817 (A,95,19)	RS1/10SR222J	C 320 (A,64,134)	CCSSCK1R0C50
	R 851 (A,93,20)	RS1/16SS472J	C 321 (A,83,129)	CCSSCH101J50
	R 871 (A,143,65)	RS1/10SR332J	C 322 (A,106,126)	CKSRYB104K16
	R 872 (A,143,62)	RS1/16SS103J	C 323 (A,106,129)	CCSRCH100D50
	R 878 (A,124,26)	RS1/10SR473J	C 324 (A,102,129)	CCSRCH100D50
	R 891 (A,58,138)	RS1/16SS102J	C 325 (A,94,132)	CCSRCH100D50
	R 892 (A,58,136)	RS1/16SS102J	C 326 (A,95,140)	CCSRCH100D50
	R 911 (A,145,40)	RS1/10SR1R0J	C 327 (A,88,129)	CKSRYB105K10
	R 912 (A,141,41)	RS1/10SR1R0J	C 401 (A,154,100)	CKSSYB104K10
F	R 913 (A,154,41)	RS1/16SS223J	C 402 (A,155,101)	CKSSYB103K16
	R 914 (A,131,40)	RS1/16SS223J	C 403 (A,153,102)	CKSRYB105K10
	R 941 (A,94,121)	RS1/16SS223J	C 405 (A,162,101)	CKSSYB103K16
	R 942 (A,94,122)	RS1/16SS473J	C 406 (A,160,101)	CKSSYB103K16

CAPACITORS

5		6		7		8	
<u>Circuit Symbol and No.</u>		<u>Part No.</u>		<u>Circuit Symbol and No.</u>		<u>Part No.</u>	
C 408	(A,161,105)	CKSSYB103K16		C 561	(A,103,24)	CKSRYB105K10	
C 409	(A,157,105)	CCSSCH6R0D50		C 564	(A,33,114) 4.7 uF	CCG1201	
C 410	(A,155,107)	CCSSCH330J50		C 565	(A,16,107) 4.7 uF	CCG1222	
C 411	(A,148,99)	CKSSYB103K16					
C 412	(A,148,101)	CKSSYB104K10		C 601	(A,105,66)	CKSSYB104K10	A
				C 602	(A,109,65)	CKSSYB104K10	
C 413	(A,150,101)	CKSSYB104K10		C 603	(A,111,65)	CKSSYB104K10	
C 414	(A,146,100)	CKSSYB103K16		C 604	(A,113,65)	CKSSYB104K10	
C 415	(A,144,101) 10 uF	CCG1192		C 605	(A,117,65)	CKSSYB104K10	
C 416	(A,147,100)	CKSSYB104K10					
C 418	(A,142,101)	CKSSYB223K16		C 606	(A,122,71)	CKSSYB104K10	
C 419	(A,147,110) (E,F,G)	CCSSCH150J50		C 607	(A,127,73)	CCSSCH120J50	
C 420	(A,151,106) (E,F,G)	CKSSYB103K16		C 608	(A,127,78)	CCSSCH120J50	
				C 609	(A,122,73)	CKSSYB104K10	
C 421	(A,154,111) (A,B,C)	CCSSCJ3R0C50		C 610	(A,122,75)	CKSSYB104K10	
C 423	(A,144,106) (E,F,G)	CCSSCH8R0D50					
C 424	(A,141,101)	CKSSYB103K16		C 611	(A,122,77)	CKSSYB104K10	
C 425	(A,139,99) 10 uF	CCG1192		C 612	(A,123,82)	CKSSYB104K10	B
C 426	(A,140,97)	CKSSYB104K10		C 613	(A,124,82)	CKSSYB104K10	
C 427	(A,144,97)	CKSSYB104K10		C 620	(A,114,88)	CKSSYB104K10	
				C 621	(A,109,88)	CKSSYB104K10	
C 428	(A,137,96) (A,B,C)	CCSSCH101J50					
	(A,137,96) (E,F,G)	CCSSCH220J50		C 622	(A,106,93)	CCSSCH220J50	
C 429	(A,136,96)	CKSSYB103K16		C 623	(A,106,88)	CKSSYB104K10	
C 430	(A,139,90)	CKSSYB102K50		C 624	(A,105,88)	CKSSYB104K10	
				C 625	(A,104,90)	CKSSYB104K10	
C 432	(A,138,92) (A,B,C)	CCSSCH820J50		C 626	(A,100,80)	CKSSYB104K10	
	(A,138,92) (E,F,G)	CCSSCJ2R0C50					
C 433	(A,136,91)	CKSSYB102K50		C 627	(A,97,81)	CCSSCH220J50	
C 435	(A,139,86) (A,B,C)	CKSRYB474K10		C 628	(A,96,81)	CCSSCH220J50	C
	(A,139,86) (E,F,G)	CKSRYB105K10		C 629	(A,99,75)	CKSSYB104K10	
				C 630	(A,99,73)	CKSSYB104K10	
C 439	(A,145,80) (E,F,G)	CKSRYB104K16					
C 440	(A,142,86)	CKSSYB102K50		C 631	(A,97,77)	CCSSCH220J50	
C 441	(A,137,89)	CCSSCH100D50		C 672	(A,123,73) 1 uF	DCH1246	
C 442	(A,146,83)	CKSSYB104K10		C 681	(A,121,96)	CKSSYB104K10	
C 444	(A,152,82) 2.2 uF	CCG1218		C 683	(A,120,94)	CCSSCJ3R0C50	
				C 701	(A,111,40)	CKSSYB103K16	
C 445	(A,157,82) (A,B,C)	CKSSYB104K10		C 704	(A,120,39)	CCSSCH100D50	
C 447	(A,157,83) (A,B,C)	CKSRYB105K10					
C 448	(A,158,85) (A,B,C)	CKSSYB104K10		C 705	(A,118,39)	CCSSCH100D50	
	(A,158,85) (E,F,G)	CKSSYB103K16		C 706	(A,117,38)	CCSSCH100D50	
C 449	(A,161,85)	CCSSCH9R0D50		C 752	(A,140,136)	CKSSYB104K10	D
C 450	(A,161,90)	CCSSCH9R0D50		C 753	(A,147,130) 4.7 uF	CCG1201	
				C 801	(A,124,6)	CCSRCH221J50	
C 451	(A,159,91)	CKSSYB104K10					
C 452	(A,159,94)	CKSRYB105K10		C 806	(A,125,8)	CKSRYB104K16	
C 453	(A,160,96)	CKSSYB104K10		C 807	(A,122,14)	CKSRYB105K10	
C 455	(A,159,97)	CKSRYB224K16		C 808	(A,108,19)	CKSRYB104K16	
C 456	(A,162,92)	CKSSYB472K25		C 809	(A,97,16)	CCSRCH221J50	
				C 810	(A,96,13)	CCSRCH221J50	
C 457	(A,162,93)	CKSSYB472K25					
C 459	(A,154,83) (A,B,C)	CCSSCH101J50		C 811	(A,104,20)	CKSSYB104K10	
	(A,154,83) (E,F,G)	CKSSYB102K50		C 873	(A,124,24)	CKSRYB104K16	
C 461	(A,145,104) (A,B,C)	CKSSYB104K10		C 891	(A,52,138)	CKSRYB104K16	
C 464	(A,162,98) 1 uF(E,F,G)	DCH1246		C 892	(A,34,139)	CKSRYB104K16	E
				C 901	(A,133,124) 2 200 uF/16 V	CCH2040	
C 465	(A,142,106) (E,F,G)	CKSSYB103K16					
C 466	(A,137,79) (E,F,G)	CKSRYB105K10		C 912	(A,152,40)	CKSSYB102K50	
C 467	(A,151,81) (E,F,G)	CKSSYB104K10		C 913	(A,131,43)	CKSSYB102K50	
C 468	(A,142,79) (E,F,G)	CKSRYB105K10		C 914	(A,156,56)	XCEAT102M16	
C 531	(A,91,93)	CKSSYB104K10		C 915	(A,132,42)	CKSRYB104K16	
C 532	(A,94,93)	CKSSYB104K10		C 916	(A,147,43) 4.7 uF	CCG1201	
C 551	(A,13,121)	XCEVW221M16		C 917	(A,145,46)	CKSSYB102K50	
C 552	(A,13,107)	CKSRYB105K16		C 919	(A,151,42) 4.7 uF	CCG1201	
C 553	(A,15,110)	CKSSYB103K16		C 921	(A,135,42) 4.7 uF	CCG1201	
C 555	(A,25,112)	CKSSYB682K25		C 923	(A,159,41) 4.7 uF	CCG1201	
C 556	(A,32,120)	CEVQW221M6R3		C 926	(A,140,44) 4.7 uF	CCG1201	F
C 557	(A,33,116)	CKSRYB105K10		C 927	(A,140,42)	CKSSYB102K50	
C 560	(A,108,21)	CKSRYB105K10		C 941	(A,96,124)	CKSRYB104K16	

Circuit Symbol and No.**Part No.****Circuit Symbol and No.****Part No.**

C 969 (A,135,113) 10 uF

CCG1192

R 1856 (B,26,10)

RS1/16SS101J

R 1857 (B,28,8)

RS1/16SS101J

R 1858 (B,13,13)

RS1/16SS101J

R 1859 (B,101,23)

RS1/16SS101J

R 1860 (B,58,21)

RS1/16SS101J

R 1861 (B,58,24)

RS1/16SS101J

R 1862 (B,24,7)

RS1/16SS680J

R 1864 (B,17,8)

RS1/16SS680J

R 1866 (B,11,20)

RS1/16SS680J

R 1868 (B,115,25)

RS1/16SS680J

R 1870 (B,125,27)

RS1/16SS680J

R 1872 (B,131,26)

RS1/16SS680J

R 1931 (B,74,6)

RS1/10SR222J

R 1932 (B,78,6)

RS1/10SR222J

R 1944 (B,144,27)

RS1/10SR101J

MISCELLANEOUS

IC 1802 (B,84,22) IC PDC202B

IC 1851 (B,47,21) IC BH2228FV

IC 1941 (A,155,39) IR RC REC Module PNJ4833M

Q 1851 (B,31,8) Chip Transistor HN1C01FU

Q 1852 (B,32,11) Chip Transistor HN1C01FU

Q 1853 (B,56,24) Chip Transistor HN1C01FU

Q 1857 (B,20,9) Transistor LSCR523UB

Q 1858 (B,12,10) Transistor LSCR523UB

Q 1859 (B,12,24) Transistor LSCR523UB

Q 1866 (B,110,26) Transistor LSCR523UB

Q 1867 (B,120,26) Transistor LSCR523UB

Q 1868 (B,128,27) Transistor LSCR523UB

D 1882 (A,9,20) LED SMLVN6RGB2UK(B)

D 1883 (A,41,20) LED SMLVN6RGB2UK(B)

D 1884 (A,162,26) LED SMLVN6RGB2UK(B)

D 1885 (A,148,23) LED SMLVN6RGB2UK(B)

D 1886 (A,47,23) LED SMLVN6RGB2UK(B)

L 1921 (B,136,11) Inductor CTF1389

L 1922 (B,131,6) Inductor CTF1389

L 1923 (B,140,7) Inductor CTF1389

X 1801 (B,69,22) Ceramic Resonator 5.00 MHz CSS1547

S 1821 (A,51,5) Push Switch CSG1155

S 1822 (A,11,41) Push Switch CSG1155

S 1823 (A,67,5) Push Switch CSG1155

S 1824 (A,15,5) Push Switch CSG1155

S 1826 (A,5,20) Push Switch CSG1155

S 1828 (A,35,33) Push Switch CSG1155

S 1830 (A,25,19) Encoder(MULTI-CONTROL) CSD1168

S 1832 (A,35,5) Push Switch CSG1155

S 1834 (A,76,5) Push Switch CSG1155

S 1835 (A,146,5) Push Switch CSG1155

S 1836 (A,123,5) Push Switch CSG1155

S 1837 (A,130,5) Push Switch CSG1155

S 1838 (A,99,5) Push Switch CSG1155

S 1839 (A,107,5) Push Switch CSG1155

S 1840 (A,83,5) Push Switch CSG1155

S 1842 (A,15,33) Push Switch CSG1155

CN1911 (A,155,26) Connector CKS6443

CN1931 (B,109,10) Connector CKS6451

JA1921 (A,156,11) Jack YKN5006

V 1802 (A,53,32) Segment LCD CAW2041

RESISTORS

R 1809 (B,76,10) RS1/16SS473J

R 1810 (B,63,21) RS1/16SS103J

R 1824 (B,32,31) RS1/16SS273J

R 1851 (B,50,16) RS1/10SR222J

R 1852 (B,48,16) RS1/10SR222J

R 1853 (B,52,9) RS1/10SR222J

R 1854 (B,41,18) RAB4CQ102J

R 1855 (B,42,22) RAB4CQ102J

R 1864 (B,17,8)

RS1/16SS680J

R 1866 (B,11,20)

RS1/16SS680J

R 1868 (B,115,25)

RS1/16SS680J

R 1870 (B,125,27)

RS1/16SS680J

R 1872 (B,131,26)

RS1/16SS680J

R 1931 (B,74,6)

RS1/10SR222J

R 1932 (B,78,6)

RS1/10SR222J

R 1944 (B,144,27)

RS1/10SR101J

CAPACITORS

C 1801 (B,78,12)

CKSSYB104K10

C 1802 (B,77,12)

CKSSYB104K10

C 1803 (B,79,12)

CKSSYB104K10

C 1804 (B,72,21)

CKSRYB105K10

C 1805 (B,72,23)

CKSSYB104K10

C 1854 (B,52,23)

CKSSYB103K16

C 1855 (B,52,24)

CKSRYB105K10

C 1911 (B,164,34)

CKSRYB104K16

C 1912 (B,140,16)

CKSRYB104K16

C 1941 (B,144,29) 10 uF

CCG1192

C**Unit Number : CWX4269****Unit Name : CD Core Unit(S11.6VA)****MISCELLANEOUS**

IC 201 (B,24,38) IC

PEQ094A

IC 301 (A,37,12) IC

BD8223EFV

Q 101 (B,12,54) Transistor

2SA1577

Q 102 (B,16,55) Chip Digital Transistor

LTA123JUB

X 201 (B,25,50) Ceramic Resonator 16.934 MHz

CSS1603

S 901 (A,43,54) Spring Switch(HOME)

CSN1080

S 903 (B,22,13) Spring Switch(DSCSNS)

CSN1081

CN101 (A,17,58) Connector

CKS4808

CN701 (A,26,30) Connector

CKS6146

RESISTORS

R 101 (B,7,59)

RS1/10SR2R4J

R 102 (B,8,59)

RS1/10SR2R4J

R 103 (B,10,59)

RS1/10SR2R7J

R 108 (B,14,58)

RS1/16SS105J

R 109 (B,15,50)

RS1/16SS152J

R 214 (B,18,28)

RS1/16SS103J

R 215 (B,17,28)

RS1/16SS393J

R 216 (B,13,36)

RS1/16SS102J

R 217 (B,10,33)

RS1/16SS562J

R 218 (B,10,36)

RS1/16SS472J

R 229 (B,13,35)

RS1/16SS471J

R 232 (A,31,55)

RS1/16SS0R0J

R 237 (B,34,45)

RS1/16SS221J

R 240 (B,35,40)

RS1/16SS473J

5		6		7		8	
<u>Circuit Symbol and No.</u>		<u>Part No.</u>		<u>Circuit Symbol and No.</u>		<u>Part No.</u>	
R 245	(A,34,46)	RS1/16SS104J		C 710	(A,34,43)	CKSSYB102K50	
R 254	(A,37,56)	RS1/16SS104J					
R 260	(B,30,27)	RS1/16SS103J					A
R 264	(A,22,9)	RS1/16SS102J					
R 281	(B,34,38)	RS1/16SS560J					
R 282	(B,34,39)	RS1/16SS560J					
R 291	(B,34,35)	RS1/16SS560J					
R 294	(B,28,49)	RS1/16SS471J					
R 303	(A,28,12)	RS1/16SS123J					
R 304	(A,29,11)	RS1/16SS123J					
R 305	(A,27,9)	RS1/16SS102J					
R 306	(A,27,12)	RS1/16SS472J					
R 307	(A,26,9)	RS1/16SS102J					
R 308	(A,26,12)	RS1/16SS472J					B
R 309	(A,35,7)	RS1/16SS473J					
R 310	(B,31,9)	RS1/16SS472J					
R 311	(B,31,10)	RS1/16SS472J					
R 312	(B,31,11)	RS1/16SS472J					
R 313	(B,31,12)	RS1/16SS472J					
R 701	(A,22,38)	RS1/16SS101J					
R 702	(A,24,38)	RS1/16SS101J					
R 706	(A,33,42)	RS1/16SS221J					

CAPACITORS

C 104	(B,15,52)	CKSQYB475K6R3					C
C 110	(B,11,44)	CKSSYB104K10					
C 111	(B,12,44)	CKSSYB103K16					
C 203	(B,22,47)	CKSSYB104K10					
C 205	(A,17,41)	CKSRYB105K10					
C 209	(B,29,48)	CKSRYB104K16					
C 210	(B,33,44)	CKSSYB104K10					
C 211	(B,34,42)	CKSSYB104K10					
C 212	(B,23,29)	CKSSYB104K10					
C 213	(B,18,26)	CKSSYB332K50					
C 214	(B,17,26)	CKSSYB473K16					D
C 215	(B,19,29)	CKSSYB104K10					
C 216	(B,13,33)	CKSSYB152K50					
C 217	(B,10,35)	CCSSCH390J50					
C 218	(B,10,37)	CCSSCH5R0C50					
C 219	(B,14,35)	CKSSYB104K10					
C 220	(A,18,39)	CKSSYB104K10					
C 221	(B,14,32)	CKSSYB104K10					
C 222	(B,14,37)	CKSSYB104K10					
C 223	(B,13,42)	CCSSCH680J50					
C 224	(B,14,45)	CCSSCH470J50					E
C 225	(B,14,47)	CKSSYB103K16					
C 228	(B,10,34)	CCSSCH180J50					
C 229	(B,9,41)	CKSSYB104K10					
C 233	(B,33,46)	CKSSYB103K16					
C 236	(B,8,41)	CKSSYB104K10					
C 238	(A,26,45)	CKSRYB104K16					
C 299	(A,26,43)	CKSSYB104K10					
C 302	(B,29,12)	CKSSYB102K50					
C 303	(B,30,12)	CKSSYB102K50					
C 304	(B,28,12)	CKSSYB223K16					
C 305	(B,27,12)	CKSSYB104K10					F
C 306	(A,32,7)	CKSSYB104K10					
C 307	(A,42,19)	CKSRYB105K10					
C 308	(A,32,16)	CKSRYB105K10					