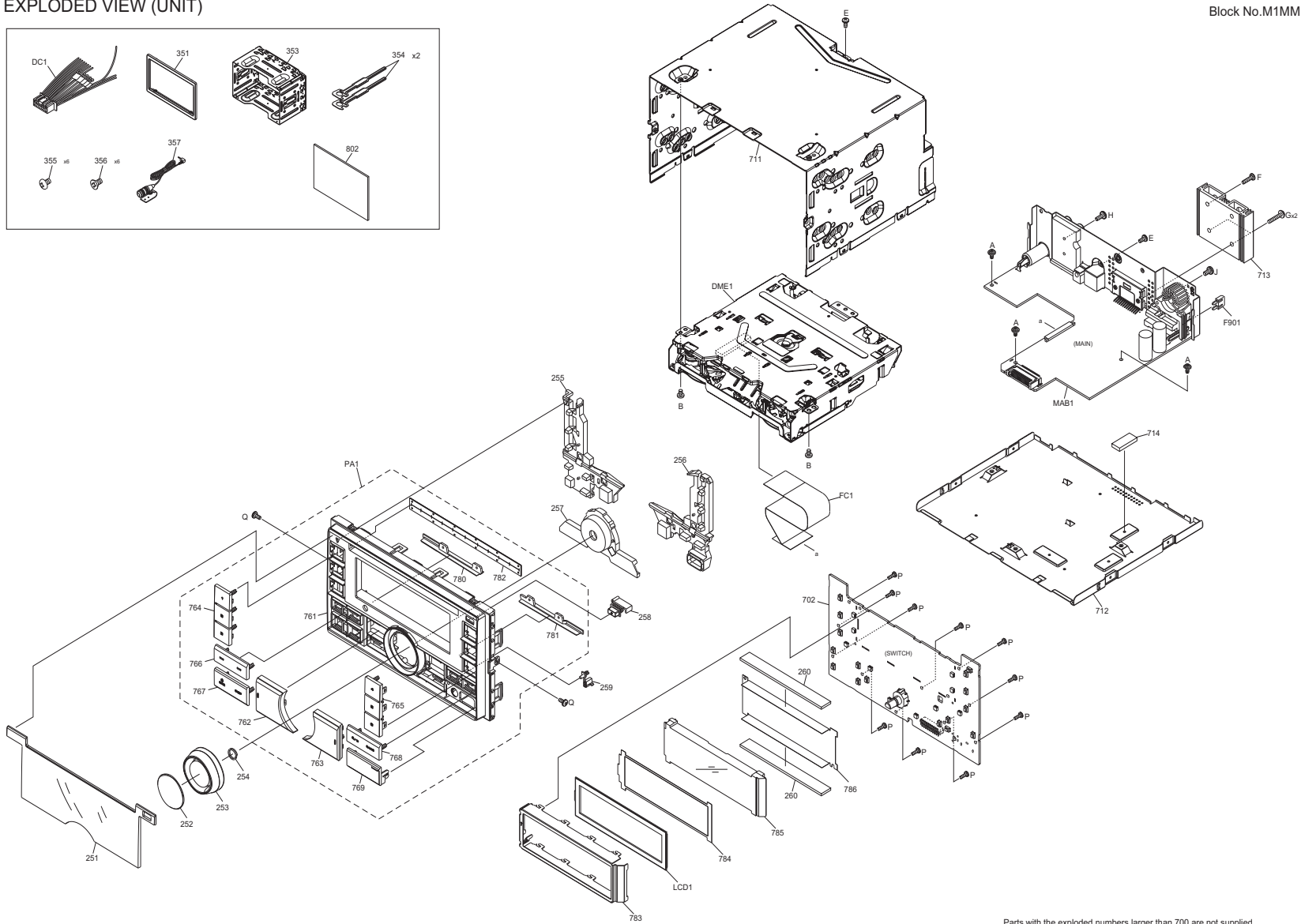
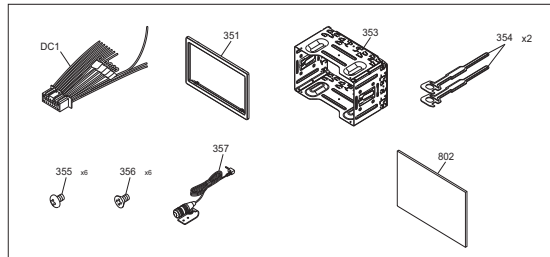


EXPLODED VIEW (UNIT)

Block No.M1MM



Parts with the exploded numbers larger than 700 are not supplied.
created date:2022-05-23

MODEL	MARK
DPX505BT	K0

Safe	Symbol No.	Parts No.	Parts Name	Description	QTY	Local
------	------------	-----------	------------	-------------	-----	-------

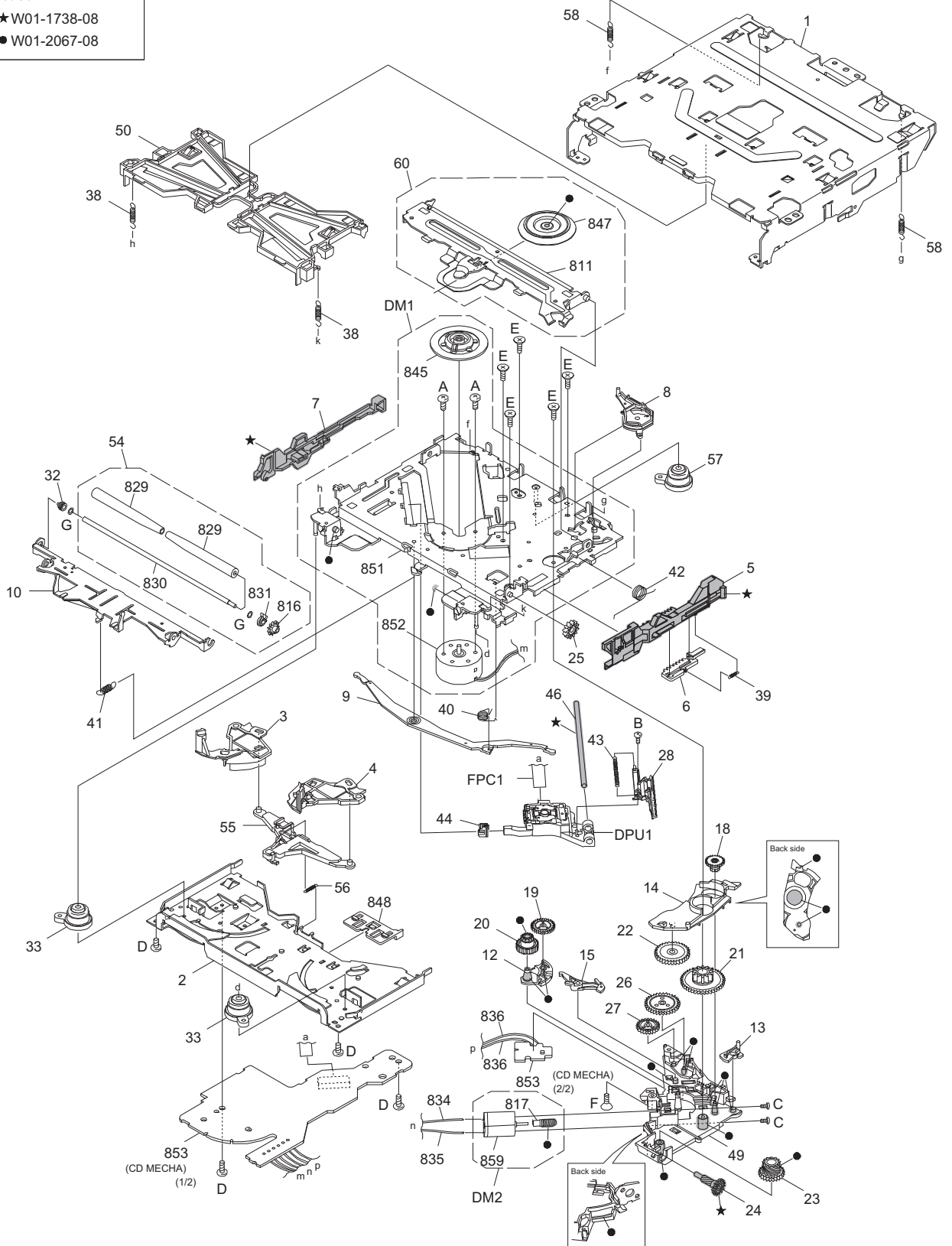
EXPLODED VIEW (UNIT) <M1MM>

MAB1	CB-XJ1386K04N	MAIN PWB	XJ1-386K-04		1	
FC1	E3G-0158-00	FFC WIRE			1	
DC1	E3A-0324-00	DC CORD			1	
DME1	XJH-207W-00	CD MECHA ASSY			1	
F901	FZB10BT-100	BLADE FUSE			1	
LCD1	B3H-0128-00	LCD			1	
PA1	A6D-0158-17	PANEL ASSY			1	
A	LV41200-004A	SPECIAL SCREW			3	
B	QYSDST2604ZA	TAP SCREW	M2.6 x 4.0mm		2	
E	QYSDST2606ZA	TAP SCREW	M2.6 x 6.0mm		1	
E	QYSDST2606ZA	TAP SCREW	M2.6 x 6.0mm		1	
F	QYSDST2608ZA	TAP SCREW	M2.6 x 8.0mm		1	
G	QYSDST2610ZA	TAP SCREW	M2.6 x 10.0mm		2	
H	QYSDSF2608ZA	TAP SCREW	M2.6 x 8.0mm		1	
J	QYSPSG3008ZA	TAP SCREW	M3.0 x 8.0mm		1	
P	QYSDSF2006ZA	TAP SCREW	M2.0 x 6.0mm		10	
Q	QYSDST2004ZA	TAP SCREW	M2.0 x 4.0mm		2	
251	B1A-0109-0E	FRONT GLASS			1	
252	K2K-0496-00	KEY TOP			1	
253	K2K-0497-01	KNOB			1	
254	GE40127-005A	KNOB SPRING			1	
255	B1K-0153-00	LIGHTING BOARD			1	
256	B1K-0154-00	LIGHTING BOARD			1	
257	B1K-0155-01	LIGHTING BOARD			1	
258	K2E-0121-00	PUSH KNOB			1	
259	K2E-0122-00	PUSH KNOB			1	
260	E2K-0096-00	CONDUCT RUBBER			2	
351	GE20366-001A	TRIM PLATE			1	
353	LV22876-001A	SLEEVE ASSY			1	
354	LV45516-001A	LEVER			2	
355	QYSDSP5008ZA	SCREW	M5.0 x 8.0mm		6	
356	QYSSSP5008ZA	SCREW	M5.0 x 8.0mm		6	
357	T9B-0092-00	MICROPHONE			1	
702	-----	SWITCH PWB	NO SERVICE PART		1	
711	-----	TOP COVER	NO SERVICE PART		1	
712	-----	BOTTOM PLATE	NO SERVICE PART		1	
713	-----	HEAT SINK	NO SERVICE PART		1	
714	-----	COOL SHEET	NO SERVICE PART		1	
761	-----	PANEL	NO SERVICE PART		1	
762	-----	KNOB ASSY	NO SERVICE PART		1	
764	-----	PUSH KNOB	NO SERVICE PART		1	
765	-----	PUSH KNOB	NO SERVICE PART		1	
766	-----	PUSH KNOB	NO SERVICE PART		1	
767	-----	PUSH KNOB	NO SERVICE PART		1	
768	-----	PUSH KNOB	NO SERVICE PART		1	
769	-----	COVER	NO SERVICE PART		1	
780	-----	LIGHTING BOARD	NO SERVICE PART		1	
781	-----	LIGHTING BOARD	NO SERVICE PART		1	
782	-----	BLIND PLATE	NO SERVICE PART		1	
783	-----	LCD CASE	NO SERVICE PART		1	
784	-----	OPTL.DIFFUSER	NO SERVICE PART		1	
785	-----	LIGHTING BOARD	NO SERVICE PART		1	
786	-----	REF.SHEET	NO SERVICE PART		1	
802	-----	SUB-INST.MANUAL	NO SERVICE PART		1	

EXPLODED VIEW (CD MECHANISM: XJH-207W-00/FC2-3B00NXN)

Block No.MBMM

Grease
 ★W01-1738-08
 ●W01-2067-08



Parts with the exploded numbers larger than 800 are not supplied.

MODEL	MARK
DPX505BT	K0

Safe	Symbol No.	Parts No.	Parts Name	Description	QTY	Local
EXPLODED VIEW (CD MECHANISM: XJH-207W-00/FC2-3B00NXN) <MBMM>						
	FPC1	QAL1465-001	FPC		1	
	DM1	CM-FC2-MD	M.CHASSIS ASSY		1	
	DM2	CM-FC2-M	R.MOTOR ASSY		1	
	DPU1	T2F-0002-00	CD OPT PICKUP		1	
	A	LV45568-001A	MINI SCREW		2	
	B	QYSPSGT1745ZA	TAP SCREW	M1.7 x 4.5mm	1	
	C	QYSPSPT2025MA	SCREW	M2.0 x 2.5mm	2	
	D	VKZ4539-054	MINI SCREW		4	
	E	LV45818-001A	G.HOLDER SCREW		5	
	F	LV45815-001A	M. SHAFT SCREW		1	
	G	LV45816-001A	ROLLER WASHER		2	
	1	LV11877-003A	OUTER CHASSIS		1	
	2	LV11878-006A	LOWER CHASSIS		1	
	3	LV3A174-002A	DISC ARM L		1	
	4	LV3A175-001A	DISC ARM R		1	
	5	LV23057-001A	SLIDER R		1	
	6	LV3A178-001A	TRIGGER SLIDER		1	
	7	LV23058-001A	SLIDER L		1	
	8	LV3A179-002A	TRIGGER ARM		1	
	9	LV3A173-001A	JOINT LEVER		1	
	10	LV23055-003A	ROLLER LEVER		1	
	12	LV3A181-002A	TRANSFER ARM		1	
	13	LV45797-002A	SL LOCK CAM		1	
	14	LV3A182-003A	SL LOCK ARM		1	
	15	LV3A183-001A	PICK LOCK ARM		1	
	18	LV3A187-002A	HELICAL GEAR 1		1	
	19	LV3A188-001A	TRANSFER GEAR		1	
	20	LV3A189-001A	LOAD GEAR H		1	
	21	LV3A190-001A	DRIVE GEAR		1	
	22	LV3A191-001A	JOINT GEAR		1	
	23	LV3A192-001A	WORM GEAR 2		1	
	24	LV3A193-001A	HELICAL GEAR 2		1	
	25	LV3A194-001A	LOAD GEAR V		1	
	26	LV3A195-001A	PICK GEAR 1		1	
	27	LV3A196-001A	PICK GEAR 2		1	
	28	D1D-0090-00	RACK GEAR		1	
	32	LV45796-001A	R.RETAINER L		1	
	33	D3K-0013-00	DAMPER		2	
	38	LV45809-001A	FLOAT SPRING(F)		2	
	39	LV45810-001A	TRIGGER SPRING		1	
	40	LV45811-001A	LOAD SPRING		1	
	41	LV45812-001A	ROLLER SPRING		1	
	42	LV45813-002A	CLAMP SPRING		1	
	43	LV45814-001A	PICK SPRING		1	
	44	LV36813-302A	SUB GUIDE CAP		1	
	46	D2B-0037-00	SHAFT		1	
	49	LV11881-002A	GEAR HOLDER		1	
	50	LV11880-004A	DISC GUIDE		1	
	54	CM-FC2-R	ROLLER ASSY		1	
	55	D1A-0100-00	ARM		1	
	56	G0A-0138-00	EXTEN.SPRING		1	
	57	D3K-0014-00	DAMPER		1	
	58	LV45835-001A	FLOAT SPRING(R)		2	
	60	LV3A271-002A	CL BASE ASSY		1	
	811	-----	CLAMP ARM	NO SERVICE PART	1	
	816	-----	ROLLER GEAR	NO SERVICE PART	1	
	817	-----	WORM GEAR 1	NO SERVICE PART	1	
	829	-----	ROLLER	NO SERVICE PART	2	
	830	-----	ROLLER SHAFT	NO SERVICE PART	1	
	831	-----	R.RETAINER R	NO SERVICE PART	1	
	834	-----	SIN TWIST WIRE	NO SERVICE PART	1	
	835	-----	SIN TWIST WIRE	NO SERVICE PART	1	
	836	-----	SIN TWIST WIRE	NO SERVICE PART	2	
	845	-----	HC TURN TABLE	NO SERVICE PART	1	
	847	-----	CLAMPER	NO SERVICE PART	1	
	848	-----	WIRE HOLDER	NO SERVICE PART	1	
	851	-----	MD CHASSIS ASSY	NO SERVICE PART	1	
	852	-----	SPINDLE MOTOR	NO SERVICE PART	1	
	853	-----	CD MECHA PWB	NO SERVICE PART	1	
	859	-----	MOTOR	NO SERVICE PART	1	

MODEL	MARK
DPX505BT	K0

Safe	Symbol No.	Parts No.	Parts Name	Description	QTY	Local
MAIN PWB ASSY (XJ1-386K-04) <XJ1>						
	IC161	BD37069FV-M	ANALOG IC		1	
	IC162	NJM11100F1	ANALOG IC		1	
	IC220	NJM8065V	ANALOG IC		1	
	IC301	TB2996HQ	ANALOG IC		1	
	IC411	MFI343S00177	MCU IC		1	
	IC470	TC7SH08FUJC	MOS IC		1	
	IC540	MP9943AGQ	ANALOG IC		1	
	IC601	TEF6657AHN205	ANALOG IC		1	
	IC701	STA1090HOA3	MPU IC		1	
	IC702	TC7SH08FUJC	MOS IC		1	
	IC821	W3F-0647-00	ROM IC		1	
	IC822	W25Q16JVSSIM	ROM IC		1	
	IC831	IC-PST8428U	MOS IC		1	
	IC841	IC-PST8428U	MOS IC		1	
	IC890	TPS25221DBV	MOS IC		1	
	IC901	BD49105RFS-M	ANALOG IC		1	
	IC1901	M12L1218A6BIS	DRAM IC		1	
	IC1902	M12L1218A6BIS	DRAM IC		1	
	Q220	LSCR523UBFS8	TRANSISTOR		1	
	Q250	2SD2114K/VW/	TRANSISTOR		1	
	Q270	LTA014EEBFS8	DIGI TRANSISTOR		1	
	Q271	LSAR523UBFS8	TRANSISTOR		1	
	Q272	LTC024EEBFS8	DIGI TRANSISTOR		1	
	Q273	LTA014EEBFS8	DIGI TRANSISTOR		1	
	Q274	LTC024EEBFS8	DIGI TRANSISTOR		1	
	Q320	2SD2114K/VW/	TRANSISTOR		1	
	Q330	2SD2114K/VW/	TRANSISTOR		1	
	Q340	2SD2114K/VW/	TRANSISTOR		1	
	Q350	2SD2114K/VW/	TRANSISTOR		1	
	Q470	LTC014EEBFS8	DIGI TRANSISTOR		1	
	Q471	LTC043TEBFS8	DIGI TRANSISTOR		1	
	Q500	KRC401P	DIGI TRANSISTOR		1	
	Q903	KRC407E-P	DIGI TRANSISTOR		1	
	Q904	RE1C002ZP	FET		1	
	Q920	KRA307E-P	TRANSISTOR		1	
	D220	UDZV6.8B	ZENER DIODE		1	
	D221	UDZV6.8B	ZENER DIODE		1	
	D222	UDZV5.6B	ZENER DIODE		1	
	D271	BAW56-TP	DIODE ARRAY		1	
	D273	1SS355-HF	DIODE		1	
	D370	BAW56-TP	DIODE ARRAY		1	
	D390	SM5818PL	SCHOTTKY DIODE		1	
	D391	MBR0530	DIODE		1	
	D400	RB521SM-40	DIODE		1	
	D401	UDZV5.1B	ZENER DIODE		1	
	D540	SMD24PL	SCHOTTKY DIODE		1	
	D902	SK34A-L	SCHOTTKY DIODE		1	
	D903	SK34A-L	SCHOTTKY DIODE		1	
	D904	GS1J-LTP	DIODE		1	
	D905	GS1J-LTP	DIODE		1	
	D906	SK34A-L	SCHOTTKY DIODE		1	
	D907	SK34A-L	SCHOTTKY DIODE		1	
	D908	SK34A-L	SCHOTTKY DIODE		1	
	D991	GN3XB	DIODE		1	
	C101	CK73JXR1H332K	C CAPACITOR	3300pF 50V K	1	
	C102	CK73JXR1H332K	C CAPACITOR	3300pF 50V K	1	
	C103	CK73GXR1C475K	C CAPACITOR	4.7uF 16V K	1	
	C104	CK73FXR1C106K	C CAPACITOR	10uF 16V K	1	
	C105	CK73GXR1C475K	C CAPACITOR	4.7uF 16V K	1	
	C106	CK73HXR1A105K	C CAPACITOR	1uF 10V K	1	
	C161	CE32BJ1V4R7M	E CAPACITOR	4.7uF 35V M	1	
	C162	CE32BJ1V4R7M	E CAPACITOR	4.7uF 35V M	1	
	C163	CE32BJ1V4R7M	E CAPACITOR	4.7uF 35V M	1	
	C164	CE32BJ1V4R7M	E CAPACITOR	4.7uF 35V M	1	
	C165	CE32BJ1V4R7M	E CAPACITOR	4.7uF 35V M	1	
	C166	CE32BJ1V4R7M	E CAPACITOR	4.7uF 35V M	1	
	C167	CK73GXR1C475K	C CAPACITOR	4.7uF 16V K	1	
	C168	CK73GXR1C475K	C CAPACITOR	4.7uF 16V K	1	
	C169	CE32BY1C470M	E CAPACITOR	47uF 16V M	1	
	C170	CE32CL1C100M	E CAPACITOR	10uF 16V M	1	
	C175	CK73JXR1H103K	C CAPACITOR	0.01uF 50V K	1	
	C177	CK73GXR1A106K	C CAPACITOR	10uF 10V K	1	
	C221	CK73HXR0J225K	C CAPACITOR	2.2uF 6.3V K	1	
	C222	CK73HXR1C224K	C CAPACITOR	0.22uF 16V K	1	
	C223	CK73HXR1C224K	C CAPACITOR	0.22uF 16V K	1	
	C224	CK73HXR0J225K	C CAPACITOR	2.2uF 6.3V K	1	
	C225	CK73HXR0J225K	C CAPACITOR	2.2uF 6.3V K	1	
	C226	CC73JCH1H220J	C CAPACITOR	22pF 50V J	1	
	C227	CC73HCH1H271J	C CAPACITOR	270pF 50V J	1	
	C228	CK73HXR0J225K	C CAPACITOR	2.2uF 6.3V K	1	
	C229	CK73HXR0J225K	C CAPACITOR	2.2uF 6.3V K	1	
	C230	CK73HXR1A105K	C CAPACITOR	1uF 10V K	1	
	C231	CC73HCH1H271J	C CAPACITOR	270pF 50V J	1	
	C234	CK73HXR1A105K	C CAPACITOR	1uF 10V K	1	
	C235	CK73HXR1A105K	C CAPACITOR	1uF 10V K	1	
	C236	CK73HXR0J225K	C CAPACITOR	2.2uF 6.3V K	1	
	C252	CK730DK1E106K	C CAPACITOR	10uF 25V K	1	
	C273	CK73HXR1A105K	C CAPACITOR	1uF 10V K	1	
	C304	CE32CL1E330M	E CAPACITOR	33uF 25V M	1	
	C311	CK73GXR1C475K	C CAPACITOR	4.7uF 16V K	1	
	C312	CK73HXR1E474K	C CAPACITOR	0.47uF 25V K	1	

MODEL	MARK
DPX505BT	K0

Safe	Symbol No.	Parts No.	Parts Name	Description	QTY	Local
C313		CK73HXR1E474K	C CAPACITOR	0.47uF 25V K	1	
C316		CK73HXR1E474K	C CAPACITOR	0.47uF 25V K	1	
C317		CK73HXR1E474K	C CAPACITOR	0.47uF 25V K	1	
C318		CK73HXR1E474K	C CAPACITOR	0.47uF 25V K	1	
C319		CK73HXR1E474K	C CAPACITOR	0.47uF 25V K	1	
C322		CK730DK1E106K	C CAPACITOR	10uF 25V K	1	
C324		CK73JXR1E104K	C CAPACITOR	0.1uF 25V K	1	
C332		CK730DK1E106K	C CAPACITOR	10uF 25V K	1	
C333		CK73HXR1E474K	C CAPACITOR	0.47uF 25V K	1	
C334		CK73HXR1E474K	C CAPACITOR	0.47uF 25V K	1	
C335		CK73HXR1E474K	C CAPACITOR	0.47uF 25V K	1	
C336		CK73HXR1E474K	C CAPACITOR	0.47uF 25V K	1	
C342		CK730DK1E106K	C CAPACITOR	10uF 25V K	1	
C352		CK730DK1E106K	C CAPACITOR	10uF 25V K	1	
C370		CK73JXR1C224K	C CAPACITOR	0.22uF 16V K	1	
C391		CK73HXR1C105K	C CAPACITOR	1uF 16V K	1	
C410		CK73JXR0J224K	C CAPACITOR	0.22uF 6.3V K	1	
C472		CK73JXR1E104K	C CAPACITOR	0.1uF 25V K	1	
C473		CK73FXR1C106K	C CAPACITOR	10uF 16V K	1	
C474		CK73GXR1C225K	C CAPACITOR	2.2uF 16V K	1	
C475		CK73GXR1C225K	C CAPACITOR	2.2uF 16V K	1	
C540		CE32CC1A151M	E CAPACITOR	150uF 10V M	1	
C542		CK73JXR1C224K	C CAPACITOR	0.22uF 16V K	1	
C543		CK73HXR1C105K	C CAPACITOR	1uF 16V K	1	
C544		CK73JXR1H471K	C CAPACITOR	470pF 50V K	1	
C545		CK73FXR1C106K	C CAPACITOR	10uF 16V K	1	
C547		CK73JXR0J224K	C CAPACITOR	0.22uF 6.3V K	1	
C548		CK73JXR0J224K	C CAPACITOR	0.22uF 6.3V K	1	
C549		CK73JXR0J224K	C CAPACITOR	0.22uF 6.3V K	1	
C550		CC73JCH1H150J	C CAPACITOR	15pF 50V J	1	
C601		CK73GXR1A106K	C CAPACITOR	10uF 10V K	1	
C602		CK73GXR1A106K	C CAPACITOR	10uF 10V K	1	
C603		CK73GXR1C475K	C CAPACITOR	4.7uF 16V K	1	
C604		CK73HXR1H152K	C CAPACITOR	1500pF 50V K	1	
C605		CK73JXR1H102K	C CAPACITOR	1000pF 50V K	1	
C606		CC73JCH1H090D	C CAPACITOR	9pF 50V D	1	
C607		CC73JCH1H010C	C CAPACITOR	1pF 50V C	1	
C608		CK73JXR1H102K	C CAPACITOR	1000pF 50V K	1	
C609		CK73JXR0J224K	C CAPACITOR	0.22uF 6.3V K	1	
C610		CC73JCH1H120J	C CAPACITOR	12pF 50V J	1	
C611		CC73JCH1H010C	C CAPACITOR	1pF 50V C	1	
C612		CK73JXR1H103K	C CAPACITOR	0.01uF 50V K	1	
C614		CC73JCH1H220J	C CAPACITOR	22pF 50V J	1	
C615		CC73JCH1H330J	C CAPACITOR	33pF 50V J	1	
C616		CK73JXR1H102K	C CAPACITOR	1000pF 50V K	1	
C617		CK73JXR0J474K	C CAPACITOR	0.47uF 6.3V K	1	
C618		CK73JXR0J224K	C CAPACITOR	0.22uF 6.3V K	1	
C619		CK73JXR1C224K	C CAPACITOR	0.22uF 16V K	1	
C620		CK73GXR1E105K	C CAPACITOR	1uF 25V K	1	
C621		CK73GXR1E105K	C CAPACITOR	1uF 25V K	1	
C624		CK73GXR1C225K	C CAPACITOR	2.2uF 16V K	1	
C625		CK73JXR1H221K	C CAPACITOR	220pF 50V K	1	
C680		CK73GXR0J225K	C CAPACITOR	2.2uF 6.3V K	1	
C701		CK73JXR1H471K	C CAPACITOR	470pF 50V K	1	
C702		CK73GXR1A106K	C CAPACITOR	10uF 10V K	1	
C703		CK73JXR1H103K	C CAPACITOR	0.01uF 50V K	1	
C704		CC73JCH1H180J	C CAPACITOR	18pF 50V J	1	
C705		CC73JCH1H180J	C CAPACITOR	18pF 50V J	1	
C706		CK73GXR1A106K	C CAPACITOR	10uF 10V K	1	
C707		CK73JXR1H103K	C CAPACITOR	0.01uF 50V K	1	
C708		CC73JCH1H101J	C CAPACITOR	100pF 50V J	1	
C710		CK73JXR1H222K	C CAPACITOR	2200pF 50V K	1	
C711		CC73JCH1H100D	C CAPACITOR	10pF 50V D	1	
C713		CK73HXR1A105K	C CAPACITOR	1uF 10V K	1	
C714		CK73JXR1H103K	C CAPACITOR	0.01uF 50V K	1	
C715		CC73JCH1H101J	C CAPACITOR	100pF 50V J	1	
C716		CK73JXR1H472K	C CAPACITOR	4700pF 50V K	1	
C717		CK73JXR1H471K	C CAPACITOR	470pF 50V K	1	
C719		CK73HXR1A105K	C CAPACITOR	1uF 10V K	1	
C721		CC73JCH1H101J	C CAPACITOR	100pF 50V J	1	
C722		CK73GXR1A106K	C CAPACITOR	10uF 10V K	1	
C723		CK73HXR1A105K	C CAPACITOR	1uF 10V K	1	
C724		CK73JXR1H103K	C CAPACITOR	0.01uF 50V K	1	
C725		CK73GXR1A106K	C CAPACITOR	10uF 10V K	1	
C726		CK73JXR1H103K	C CAPACITOR	0.01uF 50V K	1	
C727		CK73GXR1A106K	C CAPACITOR	10uF 10V K	1	
C728		CC73JCH1H101J	C CAPACITOR	100pF 50V J	1	
C729		CK73GXR1C475K	C CAPACITOR	4.7uF 16V K	1	
C730		CC73JCH1H101J	C CAPACITOR	100pF 50V J	1	
C731		CK73GXR1C475K	C CAPACITOR	4.7uF 16V K	1	
C733		CK73GXR1C475K	C CAPACITOR	4.7uF 16V K	1	
C735		CK73JXR1H472K	C CAPACITOR	4700pF 50V K	1	
C736		CC73JCH1H070D	C CAPACITOR	7pF 50V D	1	
C737		CC73JCH1H080D	C CAPACITOR	8pF 50V D	1	
C738		CK73JXR1H472K	C CAPACITOR	4700pF 50V K	1	
C740		CC73JCH1H101J	C CAPACITOR	100pF 50V J	1	
C741		CC73JCH1H100D	C CAPACITOR	10pF 50V D	1	
C742		CC73JCH1H101J	C CAPACITOR	100pF 50V J	1	
C745		CK73JXR1H471K	C CAPACITOR	470pF 50V K	1	
C750		CK73GXR1C475K	E CAPACITOR	4.7uF 16V K	1	
C751		CE32B20J101M	E CAPACITOR	100uF 6.3V M	1	
C756		CK73HXR1A105K	C CAPACITOR	1uF 10V K	1	

MODEL	MARK
DPX505BT	K0

Safe	Symbol No.	Parts No.	Parts Name	Description	QTY	Local
	C760	CK73JXR1H471K	C CAPACITOR	470pF 50V K	1	
	C820	CK73JXR0J224K	C CAPACITOR	0.22uF 6.3V K	1	
	C821	CK73JXR1H471K	C CAPACITOR	470pF 50V K	1	
	C824	CK73JXR0J224K	C CAPACITOR	0.22uF 6.3V K	1	
	C830	CK73JXR1H471K	C CAPACITOR	470pF 50V K	1	
	C831	CK73HXR1A105K	C CAPACITOR	1uF 10V K	1	
	C832	CK73JXR0J224K	C CAPACITOR	0.22uF 6.3V K	1	
	C841	CK73HXR1A334K	C CAPACITOR	0.33uF 10V K	1	
	C842	CK73JXR0J224K	C CAPACITOR	0.22uF 6.3V K	1	
	C843	CK73HXR1A105K	C CAPACITOR	1uF 10V K	1	
	C844	CK73JXR1A104K	C CAPACITOR	0.1uF 10V K	1	
	C890	CK73HXR1A105K	C CAPACITOR	1uF 10V K	1	
	C891	CK73GXR1A106K	C CAPACITOR	10uF 10V K	1	
	C902	CC73JCH1E391J	C CAPACITOR	390pF 25V J	1	
	C903	CK73JXR1H471K	C CAPACITOR	470pF 50V K	1	
	C904	CC73JCH1E271J	C CAPACITOR	270pF 25V J	1	
	C905	CK73GXR1C475K	C CAPACITOR	4.7uF 16V K	1	
	C906	CK73GXR1A106K	C CAPACITOR	10uF 10V K	1	
	C907	CE32CC1A151M	E CAPACITOR	150uF 10V M	1	
	C911	CK73GXR1E105K	C CAPACITOR	1uF 25V K	1	
	C912	CK73FXR1C106K	C CAPACITOR	10uF 16V K	1	
	C913	CK73FXR1C106K	C CAPACITOR	10uF 16V K	1	
	C914	CK73GXR1C475K	C CAPACITOR	4.7uF 16V K	1	
	C915	CK73GXR1C475K	C CAPACITOR	4.7uF 16V K	1	
	C916	CE32BY1C221M	E CAPACITOR	220uF 16V M	1	
	C917	CK73GXR1E105K	C CAPACITOR	1uF 25V K	1	
	C918	CC73JCH1E391J	C CAPACITOR	390pF 25V J	1	
	C935	CK73GXR1C475K	C CAPACITOR	4.7uF 16V K	1	
	C943	CK73GXR1C475K	C CAPACITOR	4.7uF 16V K	1	
	C944	CE32CC1A151M	E CAPACITOR	150uF 10V M	1	
	C945	CC73JCH1E561J	C CAPACITOR	560pF 25V J	1	
	C946	CK73GXR1E105K	C CAPACITOR	1uF 25V K	1	
	C947	CK73GXR1C475K	C CAPACITOR	4.7uF 16V K	1	
	C948	CK73HXR1A105K	C CAPACITOR	1uF 10V K	1	
	C949	CK73JXR1H102K	C CAPACITOR	1000pF 50V K	1	
	C950	CK73GXR1C475K	C CAPACITOR	4.7uF 16V K	1	
	C952	CK73GXR1A106K	C CAPACITOR	10uF 10V K	1	
	C954	CK73JXR1H471K	C CAPACITOR	470pF 50V K	1	
	C960	CK73HXR1A105K	C CAPACITOR	1uF 10V K	1	
	C992	CD04ET1C222M1	E CAPACITOR	2200uF 16V M	1	
	C993	CK73JXR1H471K	C CAPACITOR	470pF 50V K	1	
	C994	CD04ET1C222M1	E CAPACITOR	2200uF 16V M	1	
	C1020	CK73JXR1A104K	C CAPACITOR	0.1uF 10V K	1	
	C1301	CK73HXR1A105K	C CAPACITOR	1uF 10V K	1	
	C1305	CK73GXR1A106K	C CAPACITOR	10uF 10V K	1	
	C1306	CK73JXR1A104K	C CAPACITOR	0.1uF 10V K	1	
	C1600	CK73JXR0J153K	C CAPACITOR	0.015uF 6.3V K	1	
	C1602	CK73JXR0J224K	C CAPACITOR	0.22uF 6.3V K	1	
	C1603	CK73JXR0J224K	C CAPACITOR	0.22uF 6.3V K	1	
	C1902	CK73JXR1A104K	C CAPACITOR	0.1uF 10V K	1	
	C1903	CK73JXR1H472K	C CAPACITOR	4700pF 50V K	1	
	C1904	CK73JXR1A104K	C CAPACITOR	0.1uF 10V K	1	
	C1905	CK73JXR1A104K	C CAPACITOR	0.1uF 10V K	1	
	C1906	CK73HXR1A105K	C CAPACITOR	1uF 10V K	1	
	C1907	CK73JXR1A104K	C CAPACITOR	0.1uF 10V K	1	
	C1908	CK73JXR1A104K	C CAPACITOR	0.1uF 10V K	1	
	C1909	CK73JXR1A104K	C CAPACITOR	0.1uF 10V K	1	
	C1910	CK73JXR1A104K	C CAPACITOR	0.1uF 10V K	1	
	C1942	CK73JXR1A104K	C CAPACITOR	0.1uF 10V K	1	
	C1943	CK73JXR1H472K	C CAPACITOR	4700pF 50V K	1	
	C1944	CK73JXR1A104K	C CAPACITOR	0.1uF 10V K	1	
	C1945	CK73JXR1A104K	C CAPACITOR	0.1uF 10V K	1	
	C1946	CK73HXR1A105K	C CAPACITOR	1uF 10V K	1	
	C1947	CK73JXR1A104K	C CAPACITOR	0.1uF 10V K	1	
	C1948	CK73JXR1A104K	C CAPACITOR	0.1uF 10V K	1	
	C1949	CK73JXR1A104K	C CAPACITOR	0.1uF 10V K	1	
	C1950	CK73JXR1A104K	C CAPACITOR	0.1uF 10V K	1	
	C2002	CK73JXR1A473K	C CAPACITOR	0.047uF 10V K	1	
	C2008	CK73JXR1H103K	C CAPACITOR	0.01uF 50V K	1	
	C2010	CK73JXR1H471K	C CAPACITOR	470pF 50V K	1	
	C2019	CK73JXR1H471K	C CAPACITOR	470pF 50V K	1	
	C2024	CK73JXR1H472K	C CAPACITOR	4700pF 50V K	1	
	C2025	CK73HXR1A105K	C CAPACITOR	1uF 10V K	1	
	C2027	CK73GXR1A106K	C CAPACITOR	10uF 10V K	1	
	C2029	CC73JCH1H050C	C CAPACITOR	5pF 50V C	1	
	C2030	CC73JCH1H050C	C CAPACITOR	5pF 50V C	1	
	C2037	CK73JXR1H103K	C CAPACITOR	0.01uF 50V K	1	
	C2040	CK73JXR1H471K	C CAPACITOR	470pF 50V K	1	
	C2041	CC73JCH1H101J	C CAPACITOR	100pF 50V J	1	
	C2048	CK73JXR0J474K	C CAPACITOR	0.47uF 6.3V K	1	
	C2050	CK73HXR1A105K	C CAPACITOR	1uF 10V K	1	
	C2051	CK73JXR0J224K	C CAPACITOR	0.22uF 6.3V K	1	
	C2052	CK73JXR0J224K	C CAPACITOR	0.22uF 6.3V K	1	
	C2080	CC73JCH1H050C	C CAPACITOR	5pF 50V C	1	
	C2084	CK73JXR1C224K	C CAPACITOR	0.22uF 16V K	1	
	C2117	CC73JCH1H101J	C CAPACITOR	100pF 50V J	1	
	C3001	CK73JXR1A103K	C CAPACITOR	0.01uF 10V K	1	
	C3002	CK73JXR1A103K	C CAPACITOR	0.01uF 10V K	1	
	C3003	CK73JXR1A103K	C CAPACITOR	0.01uF 10V K	1	
	C3004	CK73JXR1A103K	C CAPACITOR	0.01uF 10V K	1	
	C4001	CK73JXR1A104K	C CAPACITOR	0.1uF 10V K	1	
	C4002	CK73JXR1A104K	C CAPACITOR	0.1uF 10V K	1	
	C4004	CK73JXR1A104K	C CAPACITOR	0.1uF 10V K	1	

MODEL	MARK
DPX505BT	K0

Safe	Symbol No.	Parts No.	Parts Name	Description	QTY	Local
	C5001	CK73HXR0J105K	C CAPACITOR	1uF 6.3V K	1	
	C5002	CK73HXR0J105K	C CAPACITOR	1uF 6.3V K	1	
	C5003	CK73HXR0J105K	C CAPACITOR	1uF 6.3V K	1	
	C5004	CK73HXR0J105K	C CAPACITOR	1uF 6.3V K	1	
	C5005	CK73HXR0J105K	C CAPACITOR	1uF 6.3V K	1	
	C5006	CK73HXR0J105K	C CAPACITOR	1uF 6.3V K	1	
	C5007	CK73HXR0J105K	C CAPACITOR	1uF 6.3V K	1	
	C6001	CK73JXR1H103K	C CAPACITOR	0.01uF 50V K	1	
	C6002	CK73JXR1H103K	C CAPACITOR	0.01uF 50V K	1	
	C6003	CK73JXR1H103K	C CAPACITOR	0.01uF 50V K	1	
	C9003	CK73JXR1H471K	C CAPACITOR	470pF 50V K	1	
	C9015	CK73JXR1H103K	C CAPACITOR	0.01uF 50V K	1	
	C9021	CC73JCH1H101J	C CAPACITOR	100pF 50V J	1	
	C9022	CK73JXR1H472K	C CAPACITOR	4700pF 50V K	1	
	C9026	CK73JXR1H471K	C CAPACITOR	470pF 50V K	1	
	C9027	CK73JXR1C224K	C CAPACITOR	0.22uF 16V K	1	
	C9032	CK73JXR1E104K	C CAPACITOR	0.1uF 25V K	1	
	C9035	CC73JCH1H470J	C CAPACITOR	47pF 50V J	1	
	C9037	CK73JXR1H472K	C CAPACITOR	4700pF 50V K	1	
	C9038	CK73JXR1E104K	C CAPACITOR	0.1uF 25V K	1	
	C9039	CK73JXR1C224K	C CAPACITOR	0.22uF 16V K	1	
	C9045	CK73JXR1H471K	C CAPACITOR	470pF 50V K	1	
	C9049	CK73JXR1H472K	C CAPACITOR	4700pF 50V K	1	
	C9050	CK73JXR1H472K	C CAPACITOR	4700pF 50V K	1	
	C9053	CK73JXR1H102K	C CAPACITOR	1000pF 50V K	1	
	C9054	CK73JXR1H471K	C CAPACITOR	470pF 50V K	1	
	C9063	CK73HXR1A104K	C CAPACITOR	0.1uF 10V K	1	
	C9069	CK73JXR1H472K	C CAPACITOR	4700pF 50V K	1	
	C9085	CK73JXR1H103K	C CAPACITOR	0.01uF 50V K	1	
	C9086	CK73JXR1H103K	C CAPACITOR	0.01uF 50V K	1	
	C9087	CK73JXR1H103K	C CAPACITOR	0.01uF 50V K	1	
	C9101	CK73JXR1E104K	C CAPACITOR	0.1uF 25V K	1	
	C9102	CC73JCH1H470J	C CAPACITOR	47pF 50V J	1	
	C9103	CC73JCH1H220J	C CAPACITOR	22pF 50V J	1	
	C9104	CC73JCH1H470J	C CAPACITOR	47pF 50V J	1	
	C9105	CK73JXR1H472K	C CAPACITOR	4700pF 50V K	1	
	C9106	CC73JCH1H470J	C CAPACITOR	47pF 50V J	1	
	C9108	CK73JXR1H472K	C CAPACITOR	4700pF 50V K	1	
	C9109	CK73JXR1H472K	C CAPACITOR	4700pF 50V K	1	
	C9110	CK73JXR1A103K	C CAPACITOR	0.01uF 10V K	1	
	C9113	CK73JXR1H472K	C CAPACITOR	4700pF 50V K	1	
	C9114	CK73JXR1H471K	C CAPACITOR	470pF 50V K	1	
	C9117	CK73GXR1A106K	C CAPACITOR	10uF 10V K	1	
	C9118	CK73GXR1A106K	C CAPACITOR	10uF 10V K	1	
	C9120	CK73JXR1H471K	C CAPACITOR	470pF 50V K	1	
	C9124	CK73JXR1H472K	C CAPACITOR	4700pF 50V K	1	
	C9125	CK73JXR1H472K	C CAPACITOR	4700pF 50V K	1	
	C9126	CK73JXR1H472K	C CAPACITOR	4700pF 50V K	1	
	C9127	CK73JXR1H472K	C CAPACITOR	4700pF 50V K	1	
	C9130	CK73JXR1H471K	C CAPACITOR	470pF 50V K	1	
	C9131	CK73JXR1H471K	C CAPACITOR	470pF 50V K	1	
	C9201	CC73JCH1H050C	C CAPACITOR	5pF 50V C	1	
	C9202	CC73JCH1H050C	C CAPACITOR	5pF 50V C	1	
	C9203	CC73JCH1H050C	C CAPACITOR	5pF 50V C	1	
	C9204	CC73JCH1H070D	C CAPACITOR	7pF 50V D	1	
	C9205	CC73JCH1H070D	C CAPACITOR	7pF 50V D	1	
	C9518	CK73JXR1H471K	C CAPACITOR	470pF 50V K	1	
	C9527	CK73FXR1E106K	C CAPACITOR	10uF 25V K	1	
	L9002	RK73GB2A000J	MG RESISTOR		1	
	R100	RK73HB1J471J	MG RESISTOR	470Ω 1/16W J	1	
	R101	RK73HB1J000J	MG RESISTOR	0Ω 1/16W J	1	
	R103	RK73HB1J473J	MG RESISTOR	47kΩ 1/16W J	1	
	R104	RK73HB1J473J	MG RESISTOR	47kΩ 1/16W J	1	
	R108	RK73HB1J101J	MG RESISTOR	100Ω 1/16W J	1	
	R109	RK73HB1J101J	MG RESISTOR	100Ω 1/16W J	1	
	R118	RK73HB1J101J	MG RESISTOR	100Ω 1/16W J	1	
	R119	RK73HB1J101J	MG RESISTOR	100Ω 1/16W J	1	
	R120	RK73HB1J101J	MG RESISTOR	100Ω 1/16W J	1	
	R145	RK73HB1J680J	MG RESISTOR	68Ω 1/16W J	1	
	R146	RK73HB1J680J	MG RESISTOR	68Ω 1/16W J	1	
	R147	RK73HB1J680J	MG RESISTOR	68Ω 1/16W J	1	
	R148	RK73HB1J680J	MG RESISTOR	68Ω 1/16W J	1	
	R149	RK73HB1J680J	MG RESISTOR	68Ω 1/16W J	1	
	R150	RK73HB1J680J	MG RESISTOR	68Ω 1/16W J	1	
	R162	RK73HB1J101J	MG RESISTOR	100Ω 1/16W J	1	
	R165	RK73HH1J152D	MG RESISTOR	1.5kΩ 1/16W D	1	
	R166	RK73HH1J822D	MG RESISTOR	8.2kΩ 1/16W D	1	
	R173	RK73HB1J101J	MG RESISTOR	100Ω 1/16W J	1	
	R175	RK73GB2A000J	MG RESISTOR	0Ω 1/10W J	1	
	R188	RK73GB2A000J	MG RESISTOR	0Ω 1/10W J	1	
	R220	RK73HB1J101J	MG RESISTOR	100Ω 1/16W J	1	
	R221	RK73HB1J101J	MG RESISTOR	100Ω 1/16W J	1	
	R222	RK73HB1J000J	MG RESISTOR	0Ω 1/16W J	1	
	R223	RK73HB1J392J	MG RESISTOR	3.9kΩ 1/16W J	1	
	R224	RK73HB1J103J	MG RESISTOR	10kΩ 1/16W J	1	
	R225	RK73HB1J333J	MG RESISTOR	33kΩ 1/16W J	1	
	R226	RK73HB1J122J	MG RESISTOR	1.2kΩ 1/16W J	1	
	R227	RK73HB1J473J	MG RESISTOR	47kΩ 1/16W J	1	
	R229	RK73HB1J122J	MG RESISTOR	1.2kΩ 1/16W J	1	
	R230	RK73HB1J473J	MG RESISTOR	47kΩ 1/16W J	1	
	R231	RK73HB1J103J	MG RESISTOR	10kΩ 1/16W J	1	
	R232	RK73HB1J103J	MG RESISTOR	10kΩ 1/16W J	1	

MODEL	MARK
DPX505BT	K0

Safe	Symbol No.	Parts No.	Parts Name	Description	QTY	Local
	R233	RK73HB1J681J	MG RESISTOR	680Ω 1/16W J	1	
	R234	RK73HB1J222J	MG RESISTOR	2.2kΩ 1/16W J	1	
	R235	RK73HB1J103J	MG RESISTOR	10kΩ 1/16W J	1	
	R236	RK73HB1J103J	MG RESISTOR	10kΩ 1/16W J	1	
	R237	RK73HB1J471J	MG RESISTOR	470Ω 1/16W J	1	
	R238	RK73HB1J103J	MG RESISTOR	10kΩ 1/16W J	1	
	R250	RK73HB1J181J	MG RESISTOR	180Ω 1/16W J	1	
	R251	RK73HB1J223J	MG RESISTOR	22kΩ 1/16W J	1	
	R252	RK73HB1J331J	MG RESISTOR	330Ω 1/16W J	1	
	R253	RK73HB1J000J	MG RESISTOR	0Ω 1/16W J	1	
	R254	RK73HB1J472J	MG RESISTOR	4.7kΩ 1/16W J	1	
	R270	RK73HB1J104J	MG RESISTOR	100kΩ 1/16W J	1	
	R271	RK73HB1J331J	MG RESISTOR	330Ω 1/16W J	1	
	R272	RK73HB1J303J	MG RESISTOR	30kΩ 1/16W J	1	
	R273	RK73HB1J223J	MG RESISTOR	22kΩ 1/16W J	1	
	R274	RK73HB1J332J	MG RESISTOR	3.3kΩ 1/16W J	1	
	R301	RK73HB1J000J	MG RESISTOR	0Ω 1/16W J	1	
	R302	RK73HB1J432J	MG RESISTOR	4.3kΩ 1/16W J	1	
	R303	RK73HB1J160J	MG RESISTOR	16Ω 1/16W J	1	
	R304	RK73HB1J473J	MG RESISTOR	47kΩ 1/16W J	1	
	R305	RK73HB1J1R0J	MG RESISTOR	1.0Ω 1/16W J	1	
	R308	RK73HB1J000J	MG RESISTOR	0Ω 1/16W J	1	
	R309	RK73GB2A000J	MG RESISTOR	0Ω 1/10W J	1	
	R316	RK73HB1J680J	MG RESISTOR	68Ω 1/16W J	1	
	R317	RK73HB1J680J	MG RESISTOR	68Ω 1/16W J	1	
	R318	RK73HB1J680J	MG RESISTOR	68Ω 1/16W J	1	
	R319	RK73HB1J680J	MG RESISTOR	68Ω 1/16W J	1	
	R320	RK73HB1J181J	MG RESISTOR	180Ω 1/16W J	1	
	R321	RK73HB1J223J	MG RESISTOR	22kΩ 1/16W J	1	
	R322	RK73HB1J472J	MG RESISTOR	4.7kΩ 1/16W J	1	
	R323	RK73HB1J331J	MG RESISTOR	330Ω 1/16W J	1	
	R330	RK73HB1J181J	MG RESISTOR	180Ω 1/16W J	1	
	R331	RK73HB1J223J	MG RESISTOR	22kΩ 1/16W J	1	
	R332	RK73HB1J472J	MG RESISTOR	4.7kΩ 1/16W J	1	
	R333	RK73HB1J331J	MG RESISTOR	330Ω 1/16W J	1	
	R340	RK73HB1J181J	MG RESISTOR	180Ω 1/16W J	1	
	R341	RK73HB1J223J	MG RESISTOR	22kΩ 1/16W J	1	
	R342	RK73HB1J472J	MG RESISTOR	4.7kΩ 1/16W J	1	
	R343	RK73HB1J331J	MG RESISTOR	330Ω 1/16W J	1	
	R350	RK73HB1J181J	MG RESISTOR	180Ω 1/16W J	1	
	R351	RK73HB1J223J	MG RESISTOR	22kΩ 1/16W J	1	
	R352	RK73HB1J472J	MG RESISTOR	4.7kΩ 1/16W J	1	
	R353	RK73HB1J331J	MG RESISTOR	330Ω 1/16W J	1	
	R370	RK73HB1J683J	MG RESISTOR	68kΩ 1/16W J	1	
	R371	RK73GB2A123J	MG RESISTOR	12kΩ 1/10W J	1	
	R372	RK73HB1J103J	MG RESISTOR	10kΩ 1/16W J	1	
	R373	RK73HB1J102J	MG RESISTOR	1kΩ 1/16W J	1	
	R390	RK73EB2E472J	MG RESISTOR	4.7kΩ 1/4W J	1	
	R400	RK73HB1J102J	MG RESISTOR	1kΩ 1/16W J	1	
	R410	RK73HB1J101J	MG RESISTOR	100Ω 1/16W J	1	
	R411	RK73HB1J101J	MG RESISTOR	100Ω 1/16W J	1	
	R413	RK73HB1J472J	MG RESISTOR	4.7kΩ 1/16W J	1	
	R414	RK73HB1J472J	MG RESISTOR	4.7kΩ 1/16W J	1	
	R468	RK73GB2A100J	MG RESISTOR	10Ω 1/10W J	1	
	R469	RK73GB2A4R7J	MG RESISTOR	4.7Ω 1/10W J	1	
	R470	RK73GB2A100J	MG RESISTOR	10Ω 1/10W J	1	
	R471	RK73HB1J101J	MG RESISTOR	100Ω 1/16W J	1	
	R472	RK73HB1J101J	MG RESISTOR	100Ω 1/16W J	1	
	R473	RK73HB1J472J	MG RESISTOR	4.7kΩ 1/16W J	1	
	R474	RK73HB1J221J	MG RESISTOR	220Ω 1/16W J	1	
	R475	RK73HB1J100J	MG RESISTOR	10Ω 1/16W J	1	
	R476	RK73HB1J223J	MG RESISTOR	22kΩ 1/16W J	1	
	R477	RK73HB1J104J	MG RESISTOR	100kΩ 1/16W J	1	
	R541	RK73HB1J512J	MG RESISTOR	5.1kΩ 1/16W J	1	
	R542	RK73HB1J102J	MG RESISTOR	1kΩ 1/16W J	1	
	R543	RK73EB2E200J	MG RESISTOR	20Ω 1/4W J	1	
	R544	RK73HB1J393J	MG RESISTOR	39kΩ 1/16W J	1	
	R545	RK73HH1J183D	MG RESISTOR	18kΩ 1/16W D	1	
	R546	RK73HH1J393D	MG RESISTOR	39kΩ 1/16W D	1	
	R548	RK73HH1J683D	MG RESISTOR	68kΩ 1/16W D	1	
	R549	RK73HB1J222J	MG RESISTOR	2.2kΩ 1/16W J	1	
	R600	RK73HB1J102J	MG RESISTOR	1kΩ 1/16W J	1	
	R602	RK73HB1J820J	MG RESISTOR	82Ω 1/16W J	1	
	R603	RK73HB1J105J	MG RESISTOR	1MΩ 1/16W J	1	
	R604	RK73HB1J105J	MG RESISTOR	1MΩ 1/16W J	1	
	R605	RK73HB1J4R7J	MG RESISTOR	4.7Ω 1/16W J	1	
	R606	RK73HB1J101J	MG RESISTOR	100Ω 1/16W J	1	
	R607	RK73HB1J101J	MG RESISTOR	100Ω 1/16W J	1	
	R683	RK73HB1J000J	MG RESISTOR	0Ω 1/16W J	1	
	R684	RK73HB1J392J	MG RESISTOR	3.9kΩ 1/16W J	1	
	R685	RK73HB1J392J	MG RESISTOR	3.9kΩ 1/16W J	1	
	R702	RK73HB1J222J	MG RESISTOR	2.2kΩ 1/16W J	1	
	R703	RK73HB1J101J	MG RESISTOR	100Ω 1/16W J	1	
	R704	RK73HB1J222J	MG RESISTOR	2.2kΩ 1/16W J	1	
	R705	RK73HB1J101J	MG RESISTOR	100Ω 1/16W J	1	
	R706	RK73HB1J332J	MG RESISTOR	3.3kΩ 1/16W J	1	
	R707	RK73HB1J101J	MG RESISTOR	100Ω 1/16W J	1	
	R709	RK73HB1J472J	MG RESISTOR	4.7kΩ 1/16W J	1	
	R710	RK73HB1J682J	MG RESISTOR	6.8kΩ 1/16W J	1	
	R711	RK73HB1J472J	MG RESISTOR	4.7kΩ 1/16W J	1	
	R712	RK73HB1J473J	MG RESISTOR	47kΩ 1/16W J	1	
	R715	RK73HB1J101J	MG RESISTOR	100Ω 1/16W J	1	

MODEL	MARK
DPX505BT	K0

Safe	Symbol No.	Parts No.	Parts Name	Description	QTY	Local
	R718	RK73HB1J472J	MG RESISTOR	4.7kΩ 1/16W J	1	
	R721	RK73HB1J101J	MG RESISTOR	100Ω 1/16W J	1	
	R722	RK73HB1J101J	MG RESISTOR	100Ω 1/16W J	1	
	R723	RK73HB1J101J	MG RESISTOR	100Ω 1/16W J	1	
	R725	RK73HB1J101J	MG RESISTOR	100Ω 1/16W J	1	
	R730	RK73HB1J222J	MG RESISTOR	2.2kΩ 1/16W J	1	
	R731	RK73HB1J101J	MG RESISTOR	100Ω 1/16W J	1	
	R733	RK73HB1J103J	MG RESISTOR	10kΩ 1/16W J	1	
	R734	RK73HB1J101J	MG RESISTOR	100Ω 1/16W J	1	
	R735	RK73HB1J273J	MG RESISTOR	27kΩ 1/16W J	1	
	R737	RK73HB1J101J	MG RESISTOR	100Ω 1/16W J	1	
	R738	RK73HB1J103J	MG RESISTOR	10kΩ 1/16W J	1	
	R739	RK73HB1J102J	MG RESISTOR	1kΩ 1/16W J	1	
	R740	RK73HB1J472J	MG RESISTOR	4.7kΩ 1/16W J	1	
	R741	RK73HB1J473J	MG RESISTOR	47kΩ 1/16W J	1	
	R742	RK73HB1J101J	MG RESISTOR	100Ω 1/16W J	1	
	R743	RK73HB1J222J	MG RESISTOR	2.2kΩ 1/16W J	1	
	R744	RK73HB1J101J	MG RESISTOR	100Ω 1/16W J	1	
	R746	RK73HB1J000J	MG RESISTOR	0Ω 1/16W J	1	
	R748	RK73HB1J101J	MG RESISTOR	100Ω 1/16W J	1	
	R750	RK73HB1J101J	MG RESISTOR	100Ω 1/16W J	1	
	R753	RK73HB1J273J	MG RESISTOR	27kΩ 1/16W J	1	
	R755	RK73HB1J103J	MG RESISTOR	10kΩ 1/16W J	1	
	R756	RK73HB1J101J	MG RESISTOR	100Ω 1/16W J	1	
	R760	RK73HB1J000J	MG RESISTOR	0Ω 1/16W J	1	
	R761	RK73HB1J000J	MG RESISTOR	0Ω 1/16W J	1	
	R762	RK73HB1J330J	MG RESISTOR	33Ω 1/16W J	1	
	R766	RK73HB1J102J	MG RESISTOR	1kΩ 1/16W J	1	
	R769	RK73HB1J473J	MG RESISTOR	47kΩ 1/16W J	1	
	R770	RK73HB1J153J	MG RESISTOR	15kΩ 1/16W J	1	
	R771	RK73HB1J333J	MG RESISTOR	33kΩ 1/16W J	1	
	R772	RK73HB1J101J	MG RESISTOR	100Ω 1/16W J	1	
	R777	RK73HB1J101J	MG RESISTOR	100Ω 1/16W J	1	
	R778	RK73HB1J101J	MG RESISTOR	100Ω 1/16W J	1	
	R782	RK73HB1J330J	MG RESISTOR	33Ω 1/16W J	1	
	R785	RK73HB1J330J	MG RESISTOR	33Ω 1/16W J	1	
	R788	RK73HH1J823D	MG RESISTOR	82kΩ 1/16W D	1	
	R789	RK73HH1J393D	MG RESISTOR	39kΩ 1/16W D	1	
	R793	RK73HB1J273J	MG RESISTOR	27kΩ 1/16W J	1	
	R794	RK73HB1J101J	MG RESISTOR	100Ω 1/16W J	1	
	R795	RK73HB1J101J	MG RESISTOR	100Ω 1/16W J	1	
	R796	RK73HH1J302D	MG RESISTOR	3kΩ 1/16W D	1	
	R797	RK73HB1J222J	MG RESISTOR	2.2kΩ 1/16W J	1	
	R798	RK73HB1J222J	MG RESISTOR	2.2kΩ 1/16W J	1	
	R799	RK73HB1J105J	MG RESISTOR	1MΩ 1/16W J	1	
	R800	RK73HB1J000J	MG RESISTOR	0Ω 1/16W J	1	
	R801	RK73HB1J102J	MG RESISTOR	1kΩ 1/16W J	1	
	R803	RK73HB1J225J	MG RESISTOR	2.2MΩ 1/16W J	1	
	R804	RK73HB1J473J	MG RESISTOR	47kΩ 1/16W J	1	
	R805	RK73HB1J102J	MG RESISTOR	1kΩ 1/16W J	1	
	R806	RK73HB1J102J	MG RESISTOR	1kΩ 1/16W J	1	
	R808	RK73HB1J680J	MG RESISTOR	68Ω 1/16W J	1	
	R809	RK73HB1J102J	MG RESISTOR	1kΩ 1/16W J	1	
	R811	RK73HB1J101J	MG RESISTOR	100Ω 1/16W J	1	
	R813	RK73HB1J000J	MG RESISTOR	0Ω 1/16W J	1	
	R814	RK73HB1J220J	MG RESISTOR	22Ω 1/16W J	1	
	R815	RK73HB1J220J	MG RESISTOR	22Ω 1/16W J	1	
	R819	RK73HB1J220J	MG RESISTOR	22Ω 1/16W J	1	
	R820	RK73HB1J473J	MG RESISTOR	47kΩ 1/16W J	1	
	R823	RK73HB1J470J	MG RESISTOR	47Ω 1/16W J	1	
	R824	RK73HB1J473J	MG RESISTOR	47kΩ 1/16W J	1	
	R827	RK73HB1J103J	MG RESISTOR	10kΩ 1/16W J	1	
	R828	RK73HB1J103J	MG RESISTOR	10kΩ 1/16W J	1	
	R829	RK73HB1J220J	MG RESISTOR	22Ω 1/16W J	1	
	R831	RK73HB1J222J	MG RESISTOR	2.2kΩ 1/16W J	1	
	R832	RK73HB1J101J	MG RESISTOR	100Ω 1/16W J	1	
	R833	RK73HB1J220J	MG RESISTOR	22Ω 1/16W J	1	
	R834	RK73HB1J220J	MG RESISTOR	22Ω 1/16W J	1	
	R835	RK73HB1J220J	MG RESISTOR	22Ω 1/16W J	1	
	R836	RK73HB1J330J	MG RESISTOR	33Ω 1/16W J	1	
	R844	RK73HB1J332J	MG RESISTOR	3.3kΩ 1/16W J	1	
	R845	RK73HB1J473J	MG RESISTOR	47kΩ 1/16W J	1	
	R846	RK73HB1J473J	MG RESISTOR	47kΩ 1/16W J	1	
	R870	RK73HB1J562J	MG RESISTOR	5.6kΩ 1/16W J	1	
	R889	RK73HB1J332J	MG RESISTOR	3.3kΩ 1/16W J	1	
	R891	RK73HH1J563D	MG RESISTOR	56kΩ 1/16W D	1	
	R892	RK73HH1J393D	MG RESISTOR	39kΩ 1/16W D	1	
	R893	RK73HB1J222J	MG RESISTOR	2.2kΩ 1/16W J	1	
	R903	RK73HH1J394D	MG RESISTOR	390kΩ 1/16W D	1	
	R904	RK73HH1J103D	MG RESISTOR	10kΩ 1/16W D	1	
	R905	RK73HB1J101J	MG RESISTOR	100Ω 1/16W J	1	
	R908	RK73HH1J154D	MG RESISTOR	150kΩ 1/16W D	1	
	R909	RK73HH1J473D	MG RESISTOR	47kΩ 1/16W D	1	
	R910	RK73HB1J102J	MG RESISTOR	1kΩ 1/16W J	1	
	R911	RK73HB1J683J	MG RESISTOR	68kΩ 1/16W J	1	
	R912	RK73HB1J101J	MG RESISTOR	100Ω 1/16W J	1	
	R913	RK73HB1J101J	MG RESISTOR	100Ω 1/16W J	1	
	R917	RK73HH1J393D	MG RESISTOR	39kΩ 1/16W D	1	
	R920	RK73HH1J124D	MG RESISTOR	120kΩ 1/16W D	1	
	R921	RK73HH1J153D	MG RESISTOR	15kΩ 1/16W D	1	
	R922	RK73HB1J102J	MG RESISTOR	1kΩ 1/16W J	1	
	R923	RK73HH1J564D	MG RESISTOR	560kΩ 1/16W D	1	
	R924	RK73HB1J000J	MG RESISTOR	0Ω 1/16W J	1	

MODEL	MARK
DPX505BT	K0

Safe	Symbol No.	Parts No.	Parts Name	Description	QTY	Local
	R925	RK73HH1J184D	MG RESISTOR	180kΩ 1/16W D	1	
	R927	RK73HB1J103J	MG RESISTOR	10kΩ 1/16W J	1	
	R928	RK73HB1J101J	MG RESISTOR	100Ω 1/16W J	1	
	R929	RK73HB1J101J	MG RESISTOR	100Ω 1/16W J	1	
	R933	RK73HH1J684D	MG RESISTOR	680kΩ 1/16W D	1	
	R934	RK73HH1J563D	MG RESISTOR	56kΩ 1/16W D	1	
	R939	RK73HH1J433D	MG RESISTOR	43kΩ 1/16W D	1	
	R940	RK73HH1J123D	MG RESISTOR	12kΩ 1/16W D	1	
	R941	RK73HH1J393D	MG RESISTOR	39kΩ 1/16W D	1	
	R946	RK73HB1J222J	MG RESISTOR	2.2kΩ 1/16W J	1	
	R950	RK73HB1J000J	MG RESISTOR	0Ω 1/16W J	1	
	R951	RK73HB1J471J	MG RESISTOR	470Ω 1/16W J	1	
	R952	RK73HB1J000J	MG RESISTOR	0Ω 1/16W J	1	
	R954	RK73HB1J222J	MG RESISTOR	2.2kΩ 1/16W J	1	
	R955	RK73EB2E184J	MG RESISTOR	180kΩ 1/4W J	1	
	R961	RK73HB1J153J	MG RESISTOR	15kΩ 1/16W J	1	
	R980	RK73EB2E682J	MG RESISTOR	6.8kΩ 1/4W J	1	
	R981	RK73EB2E682J	MG RESISTOR	6.8kΩ 1/4W J	1	
	R982	RK73EB2E473J	MG RESISTOR	47kΩ 1/4W J	1	
	R984	RK73EB2E473J	MG RESISTOR	47kΩ 1/4W J	1	
	R1070	RK73HB1J102J	MG RESISTOR	1kΩ 1/16W J	1	
	R1300	RK73HB1J562J	MG RESISTOR	5.6kΩ 1/16W J	1	
	R1302	RK73HB1J220J	MG RESISTOR	22Ω 1/16W J	1	
	R1303	RK73HB1J220J	MG RESISTOR	22Ω 1/16W J	1	
	R1900	RK73HB1J680J	MG RESISTOR	68Ω 1/16W J	1	
	R1901	RK73HB1J680J	MG RESISTOR	68Ω 1/16W J	1	
	R1902	RK73HB1J680J	MG RESISTOR	68Ω 1/16W J	1	
	R1903	RK73HB1J680J	MG RESISTOR	68Ω 1/16W J	1	
	R1904	RK73HB1J680J	MG RESISTOR	68Ω 1/16W J	1	
	R1905	RK73HB1J680J	MG RESISTOR	68Ω 1/16W J	1	
	R1906	RK73HB1J680J	MG RESISTOR	68Ω 1/16W J	1	
	R1907	RK73HB1J680J	MG RESISTOR	68Ω 1/16W J	1	
	R1908	RK73HB1J680J	MG RESISTOR	68Ω 1/16W J	1	
	R1909	RK73HB1J680J	MG RESISTOR	68Ω 1/16W J	1	
	R1910	RK73HB1J680J	MG RESISTOR	68Ω 1/16W J	1	
	R1911	RK73HB1J680J	MG RESISTOR	68Ω 1/16W J	1	
	R1912	RK73HB1J680J	MG RESISTOR	68Ω 1/16W J	1	
	R1913	RK73HB1J680J	MG RESISTOR	68Ω 1/16W J	1	
	R1914	RK73HB1J680J	MG RESISTOR	68Ω 1/16W J	1	
	R1915	RK73HB1J680J	MG RESISTOR	68Ω 1/16W J	1	
	R1920	RK73HB1J000J	MG RESISTOR	0Ω 1/16W J	1	
	R1921	RK73HB1J180J	MG RESISTOR	18Ω 1/16W J	1	
	R1932	RK73HB1J000J	MG RESISTOR	0Ω 1/16W J	1	
	R1940	RK73HB1J101J	MG RESISTOR	100Ω 1/16W J	1	
	R1941	RK73HB1J101J	MG RESISTOR	100Ω 1/16W J	1	
	R1942	RK73HB1J101J	MG RESISTOR	100Ω 1/16W J	1	
	R1943	RK73HB1J101J	MG RESISTOR	100Ω 1/16W J	1	
	R1944	RK73HB1J101J	MG RESISTOR	100Ω 1/16W J	1	
	R1945	RK73HB1J101J	MG RESISTOR	100Ω 1/16W J	1	
	R1946	RK73HB1J101J	MG RESISTOR	100Ω 1/16W J	1	
	R1947	RK73HB1J101J	MG RESISTOR	100Ω 1/16W J	1	
	R1948	RK73HB1J101J	MG RESISTOR	100Ω 1/16W J	1	
	R1949	RK73HB1J101J	MG RESISTOR	100Ω 1/16W J	1	
	R1950	RK73HB1J101J	MG RESISTOR	100Ω 1/16W J	1	
	R1951	RK73HB1J101J	MG RESISTOR	100Ω 1/16W J	1	
	R1952	RK73HB1J101J	MG RESISTOR	100Ω 1/16W J	1	
	R1953	RK73HB1J101J	MG RESISTOR	100Ω 1/16W J	1	
	R1954	RK73HB1J101J	MG RESISTOR	100Ω 1/16W J	1	
	R1955	RK73HB1J101J	MG RESISTOR	100Ω 1/16W J	1	
	R1964	RK73HB1J330J	MG RESISTOR	33Ω 1/16W J	1	
	R1965	RK73HB1J330J	MG RESISTOR	33Ω 1/16W J	1	
	R1966	RK73HB1J330J	MG RESISTOR	33Ω 1/16W J	1	
	R1967	RK73HB1J330J	MG RESISTOR	33Ω 1/16W J	1	
	R1968	RK73HB1J330J	MG RESISTOR	33Ω 1/16W J	1	
	R1969	RK73HB1J330J	MG RESISTOR	33Ω 1/16W J	1	
	R1970	RK73HB1J330J	MG RESISTOR	33Ω 1/16W J	1	
	R1971	RK73HB1J330J	MG RESISTOR	33Ω 1/16W J	1	
	R1978	RK73HB1J330J	MG RESISTOR	33Ω 1/16W J	1	
	R1979	RK73HB1J330J	MG RESISTOR	33Ω 1/16W J	1	
	R1980	RK73HB1J330J	MG RESISTOR	33Ω 1/16W J	1	
	R1981	RK73HB1J330J	MG RESISTOR	33Ω 1/16W J	1	
	R1982	RK73HB1J330J	MG RESISTOR	33Ω 1/16W J	1	
	R1983	RK73HB1J330J	MG RESISTOR	33Ω 1/16W J	1	
	R1984	RK73HB1J330J	MG RESISTOR	33Ω 1/16W J	1	
	R1985	RK73HB1J330J	MG RESISTOR	33Ω 1/16W J	1	
	R1986	RK73HB1J330J	MG RESISTOR	33Ω 1/16W J	1	
	R1987	RK73HB1J330J	MG RESISTOR	33Ω 1/16W J	1	
	R1988	RK73HB1J330J	MG RESISTOR	33Ω 1/16W J	1	
	R1989	RK73HB1J330J	MG RESISTOR	33Ω 1/16W J	1	
	R1990	RK73HB1J330J	MG RESISTOR	33Ω 1/16W J	1	
	R1991	RK73HB1J330J	MG RESISTOR	33Ω 1/16W J	1	
	R1992	RK73HB1J330J	MG RESISTOR	33Ω 1/16W J	1	
	R2002	RK73HB1J101J	MG RESISTOR	100Ω 1/16W J	1	
	R2003	RK73HB1J220J	MG RESISTOR	22Ω 1/16W J	1	
	R2004	RK73HB1J220J	MG RESISTOR	22Ω 1/16W J	1	
	R2006	RK73HB1J101J	MG RESISTOR	100Ω 1/16W J	1	
	R2007	RK73HB1J000J	MG RESISTOR	0Ω 1/16W J	1	
	R2010	RK73HB1J000J	MG RESISTOR	0Ω 1/16W J	1	
	R2011	RK73HB1J101J	MG RESISTOR	100Ω 1/16W J	1	
	R2012	RK73HB1J220J	MG RESISTOR	22Ω 1/16W J	1	
	R2013	RK73HB1J101J	MG RESISTOR	100Ω 1/16W J	1	
	R2014	RK73HB1J103J	MG RESISTOR	10kΩ 1/16W J	1	

MODEL	MARK
DPX505BT	K0

Safe	Symbol No.	Parts No.	Parts Name	Description	QTY	Local
	R2016	RK73HB1J000J	MG RESISTOR	0Ω 1/16W J	1	
	R2017	RK73HB1J000J	MG RESISTOR	0Ω 1/16W J	1	
	R2018	RK73HB1J000J	MG RESISTOR	0Ω 1/16W J	1	
	R2019	RK73HB1J000J	MG RESISTOR	0Ω 1/16W J	1	
	R2021	RK73HB1J220J	MG RESISTOR	22Ω 1/16W J	1	
	R2023	RK73HB1J101J	MG RESISTOR	100Ω 1/16W J	1	
	R2024	RK73HH1J100D	MG RESISTOR	10Ω 1/16W D	1	
	R2026	RK73HB1J000J	MG RESISTOR	0Ω 1/16W J	1	
	R2029	RK73HB1J101J	MG RESISTOR	100Ω 1/16W J	1	
	R2033	RK73HB1J222J	MG RESISTOR	2.2kΩ 1/16W J	1	
	R2034	RK73HB1J222J	MG RESISTOR	2.2kΩ 1/16W J	1	
	R7571	RK73HB1J472J	MG RESISTOR	4.7kΩ 1/16W J	1	
	R7581	RK73HB1J472J	MG RESISTOR	4.7kΩ 1/16W J	1	
	R7641	RK73HB1J472J	MG RESISTOR	4.7kΩ 1/16W J	1	
	R7651	RK73HB1J472J	MG RESISTOR	4.7kΩ 1/16W J	1	
	R9006	RK73HB1J101J	MG RESISTOR	100Ω 1/16W J	1	
	R9011	RK73HB1J101J	MG RESISTOR	100Ω 1/16W J	1	
	R9019	RK73HB1J101J	MG RESISTOR	100Ω 1/16W J	1	
	R9029	RK73HB1J272J	MG RESISTOR	2.7kΩ 1/16W J	1	
	R9030	RK73HB1J101J	MG RESISTOR	100Ω 1/16W J	1	
	R9031	RK73HB1J101J	MG RESISTOR	100Ω 1/16W J	1	
	R9201	RK73HH1J100D	MG RESISTOR	10Ω 1/16W D	1	
	R9710	RK73HB1J472J	MG RESISTOR	4.7kΩ 1/16W J	1	
	R9711	RK73HB1J472J	MG RESISTOR	4.7kΩ 1/16W J	1	
	R9712	RK73HB1J472J	MG RESISTOR	4.7kΩ 1/16W J	1	
	R9713	RK73HB1J472J	MG RESISTOR	4.7kΩ 1/16W J	1	
	L540	LK73Z0CA4R7M	M.CHIP INDUCTOR		1	
	L541	LR79Z0JM100M	CHIP INDUCTOR		1	
	L600	LR73Z0AD1R0M	CHIP INDUCTOR		1	
	L601	LK73G0BE4R7K	M.CHIP INDUCTOR		1	
	L602	LK73H0BUR47K	M.CHIP INDUCTOR		1	
	L603	LK73H0BUR10K	M.CHIP INDUCTOR		1	
	L604	LK73H0BU1R0K	M.CHIP INDUCTOR		1	
	L605	LK73H0BUR22K	M.CHIP INDUCTOR		1	
	L606	LK73H0BUR12K	M.CHIP INDUCTOR		1	
	L607	LK73H0BUR15K	M.CHIP INDUCTOR		1	
	L691	LR73Z0AD1R0M	CHIP INDUCTOR		1	
	L701	LB73H0AY-004	CHIP FERRITE		1	
	L702	LB73H0AY-004	CHIP FERRITE		1	
	L706	LB73H0AY-004	CHIP FERRITE		1	
	L707	LB73H0AY-004	CHIP FERRITE		1	
	L708	LB73H0GA-002	CHIP FERRITE		1	
	L709	LB73H0AY-004	CHIP FERRITE		1	
	L790	LK73H0BX12NJ	M.CHIP INDUCTOR		1	
	L792	LK73H0BX12NJ	M.CHIP INDUCTOR		1	
	L821	LB73G0ED-002	CHIP FERRITE		1	
	L830	LB73G0ED-002	CHIP FERRITE		1	
	L901	LR79Z0JM330M	CHIP INDUCTOR		1	
	L902	LR79Z0JM330M	CHIP INDUCTOR		1	
	L903	LK73Z0CA4R7M	M.CHIP INDUCTOR		1	
	L990	L3D-0043-00	CHOKE COIL		1	
	L2005	LR73Z0AD4R7M	CHIP INDUCTOR		1	
	L2006	RK73HH1J470D	MG RESISTOR		1	
	A1303	W0C-0414-00	CIRCUIT MODULE		1	
	CN703	EB750AA-1020C	B TO B CONNE		1	
	CN990	E5J-0139-00	R.RECEPTACLE		1	
	CN3000	EC720AE-1026B	FFC FPC CONNE		1	
△	F321	F53-0513-08	PATTERN FUSE		1	
△	F322	F53-0513-08	PATTERN FUSE		1	
△	F540	FZA10BH-2R5	FUSE (CC)		1	
	J220	E1B-0013-00	3.5D PHONE JACK		1	
	J321	E6D-0016-10	PIN JACK		1	
	J470	E5G-0029-00	CYL.RECEPTACLE		1	
	J600	E6J-0017-00	JACK OTHERS		1	
	VA390	SDV1005E18/0	VARISTOR		1	
	VA471	F0K-0420-00	SURGE ABSORBER		1	
	VA472	F0K-0420-00	SURGE ABSORBER		1	
	VA473	F0K-0420-00	SURGE ABSORBER		1	
	VA474	F0K-0420-00	SURGE ABSORBER		1	
	VA475	F0K-0420-00	SURGE ABSORBER		1	
	VA476	F0K-0420-00	SURGE ABSORBER		1	
	VA602	F0K-0265-00	SURGE ABSORBER		1	
	VA701	F0K-0420-00	SURGE ABSORBER		1	
	VA702	F0K-0420-00	SURGE ABSORBER		1	
	VA703	F0K-0420-00	SURGE ABSORBER		1	
	VA704	F0K-0420-00	SURGE ABSORBER		1	
	VA705	F0K-0420-00	SURGE ABSORBER		1	
	VA706	F0K-0420-00	SURGE ABSORBER		1	
	VA707	F0K-0420-00	SURGE ABSORBER		1	
	VA709	F0K-0420-00	SURGE ABSORBER		1	
	VA710	F0K-0420-00	SURGE ABSORBER		1	
	VA711	F0K-0420-00	SURGE ABSORBER		1	
	VA714	F0K-0420-00	SURGE ABSORBER		1	
	VA716	F0K-0420-00	SURGE ABSORBER		1	
	VA717	F0K-0420-00	SURGE ABSORBER		1	
	VA905	F0K-0420-00	SURGE ABSORBER		1	
	VA906	F0K-0420-00	SURGE ABSORBER		1	
	VA907	F0K-0420-00	SURGE ABSORBER		1	
	X600	L7J-0014-00	QUARTZ CRYSTAL		1	
	X701	L7J-0138-00	QUARTZ CRYSTAL		1	
	X702	L7J-0123-00	QUARTZ CRYSTAL		1	

SWITCH PWB ASSY (XJ6-165K-02) <XJ6>

MODEL	MARK
DPX505BT	K0

Safe	Symbol No.	Parts No.	Parts Name	Description	QTY	Local
	IC1	BU97520AKV-M	MOS IC		1	
	IC2	BU97520AKV-M	MOS IC		1	
	IC90	PICA38603-NV	IR DETECT UNIT		1	
	Q1	LSCR523UBFS8	TRANSISTOR		1	
	Q50	LSCR523EBFS8	TRANSISTOR		1	
	Q51	LSCR523EBFS8	TRANSISTOR		1	
	Q52	LSCR523EBFS8	TRANSISTOR		1	
	Q53	LSCR523EBFS8	TRANSISTOR		1	
	Q54	LSCR523EBFS8	TRANSISTOR		1	
	Q55	LSCR523EBFS8	TRANSISTOR		1	
	Q56	LSCR523EBFS8	TRANSISTOR		1	
	Q57	LSCR523EBFS8	TRANSISTOR		1	
	Q58	LSCR523EBFS8	TRANSISTOR		1	
	Q59	LSCR523EBFS8	TRANSISTOR		1	
	Q90	LTA014EEBFS8	DIGI TRANSISTOR		1	
	Q91	LTC014EEBFS8	DIGI TRANSISTOR		1	
	D1	UDZV5.6B	ZENER DIODE		1	
	D2	SM5818PL	SCHOTTKY DIODE		1	
	D20	QSMH-C199	LED		1	
	D21	QSMH-C199	LED		1	
	D40	ASMTYTD9ZDA02	LED		1	
	D41	ASMTYTD9ZDA02	LED		1	
	D42	ASMTYTD9ZDA02	LED		1	
	D43	ASMTYTD9ZDA02	LED		1	
	D44	ASMTYTD9ZDA02	LED		1	
	D45	ASMTYTD9ZDA02	LED		1	
	D70	ASMTYTD9ZDA02	LED		1	
	D71	ASMTYTD9ZDA02	LED		1	
	D72	ASMTYTD9ZDA02	LED		1	
	D73	ASMTYTD9ZDA02	LED		1	
	C1	CK73GXR1A475K	C CAPACITOR	4.7uF 10V K	1	
	C2	CK73GXR1A475K	C CAPACITOR	4.7uF 10V K	1	
	C5	CK73HXR1C105K	C CAPACITOR	1uF 16V K	1	
	C6	CK73FXR1E106K	C CAPACITOR	10uF 25V K	1	
	C7	CK73FXR1E106K	C CAPACITOR	10uF 25V K	1	
	C8	CK73FXR1E106K	C CAPACITOR	10uF 25V K	1	
	C60	CK73JXR1H102K	C CAPACITOR	1000pF 50V K	1	
	C61	CK73JXR1H102K	C CAPACITOR	1000pF 50V K	1	
	C80	CC73JCH1H090D	C CAPACITOR	9pF 50V D	1	
	C81	CC73JCH1H090D	C CAPACITOR	9pF 50V D	1	
	C82	CK73FXR1E106K	C CAPACITOR	10uF 25V K	1	
	C83	CK73JXR1H471K	C CAPACITOR	470pF 50V K	1	
	C84	CK73JXR1H472K	C CAPACITOR	470pF 50V K	1	
	C85	CK73JXR1H471K	C CAPACITOR	470pF 50V K	1	
	C86	CK73JXR1H472K	C CAPACITOR	470pF 50V K	1	
	C91	CK73HXR1A105K	C CAPACITOR	1uF 10V K	1	
	C820	CC73JCH1H221J	C CAPACITOR	220pF 50V J	1	
	C830	CK73JXR1C104K	C CAPACITOR	0.1uF 16V K	1	
	C840	CK73JXR1C104K	C CAPACITOR	0.1uF 16V K	1	
	C850	CK73JXR1C104K	C CAPACITOR	0.1uF 16V K	1	
	R1	RK73HB1J101J	MG RESISTOR	100Ω 1/16W J	1	
	R3	RK73HB1J471J	MG RESISTOR	470Ω 1/16W J	1	
	R5	RK73EB2E331J	MG RESISTOR	330Ω 1/4W J	1	
	R6	RK73EB2E102J	MG RESISTOR	1kΩ 1/4W J	1	
	R10	RK73FB2B152J	MG RESISTOR	1.5kΩ 1/8W J	1	
	R11	RK73HB1J121J	MG RESISTOR	120Ω 1/16W J	1	
	R12	RK73FB2B182J	MG RESISTOR	1.8kΩ 1/8W J	1	
	R20	RK73HB1J101J	MG RESISTOR	100Ω 1/16W J	1	
	R21	RK73HB1J101J	MG RESISTOR	100Ω 1/16W J	1	
	R22	RK73HB1J101J	MG RESISTOR	100Ω 1/16W J	1	
	R23	RK73HB1J101J	MG RESISTOR	100Ω 1/16W J	1	
	R24	RK73HB1J101J	MG RESISTOR	100Ω 1/16W J	1	
	R25	RK73HB1J101J	MG RESISTOR	100Ω 1/16W J	1	
	R26	RK73HB1J101J	MG RESISTOR	100Ω 1/16W J	1	
	R27	RK73HB1J101J	MG RESISTOR	100Ω 1/16W J	1	
	R30	RK73HB1J101J	MG RESISTOR	100Ω 1/16W J	1	
	R31	RK73HB1J101J	MG RESISTOR	100Ω 1/16W J	1	
	R32	RK73HB1J101J	MG RESISTOR	100Ω 1/16W J	1	
	R33	RK73HB1J101J	MG RESISTOR	100Ω 1/16W J	1	
	R35	RK73HB1J101J	MG RESISTOR	100Ω 1/16W J	1	
	R36	RK73HB1J101J	MG RESISTOR	100Ω 1/16W J	1	
	R37	RK73HB1J101J	MG RESISTOR	100Ω 1/16W J	1	
	R38	RK73FB2B821J	MG RESISTOR	820Ω 1/8W J	1	
	R39	RK73FB2B561J	MG RESISTOR	560Ω 1/8W J	1	
	R41	RK73FB2B681J	MG RESISTOR	680Ω 1/8W J	1	
	R42	RK73FB2B821J	MG RESISTOR	820Ω 1/8W J	1	
	R43	RK73FB2B561J	MG RESISTOR	560Ω 1/8W J	1	
	R45	RK73FB2B681J	MG RESISTOR	680Ω 1/8W J	1	
	R46	RK73FB2B821J	MG RESISTOR	820Ω 1/8W J	1	
	R47	RK73FB2B561J	MG RESISTOR	560Ω 1/8W J	1	
	R49	RK73FB2B681J	MG RESISTOR	680Ω 1/8W J	1	
	R50	RK73HB1J682J	MG RESISTOR	6.8kΩ 1/16W J	1	
	R51	RK73HB1J682J	MG RESISTOR	6.8kΩ 1/16W J	1	
	R52	RK73HB1J682J	MG RESISTOR	6.8kΩ 1/16W J	1	
	R53	RK73HB1J682J	MG RESISTOR	6.8kΩ 1/16W J	1	
	R54	RK73HB1J682J	MG RESISTOR	6.8kΩ 1/16W J	1	
	R55	RK73HB1J682J	MG RESISTOR	6.8kΩ 1/16W J	1	
	R56	RK73HB1J682J	MG RESISTOR	6.8kΩ 1/16W J	1	
	R57	RK73HB1J682J	MG RESISTOR	6.8kΩ 1/16W J	1	
	R58	RK73HB1J682J	MG RESISTOR	6.8kΩ 1/16W J	1	
	R59	RK73HB1J682J	MG RESISTOR	6.8kΩ 1/16W J	1	
	R60	RK73HB1J101J	MG RESISTOR	100Ω 1/16W J	1	
	R61	RK73HB1J101J	MG RESISTOR	100Ω 1/16W J	1	

MODEL	MARK
DPX505BT	K0

Safe	Symbol No.	Parts No.	Parts Name	Description	QTY	Local
R62		RK73HB1J4R7J	MG RESISTOR	4.7Ω 1/16W J	1	
R71		RK73FB2B681J	MG RESISTOR	680Ω 1/8W J	1	
R72		RK73FB2B821J	MG RESISTOR	820Ω 1/8W J	1	
R73		RK73FB2B561J	MG RESISTOR	560Ω 1/8W J	1	
R75		RK73FB2B681J	MG RESISTOR	680Ω 1/8W J	1	
R76		RK73FB2B821J	MG RESISTOR	820Ω 1/8W J	1	
R77		RK73FB2B561J	MG RESISTOR	560Ω 1/8W J	1	
R80		RK73EB2E221J	MG RESISTOR	220Ω 1/4W J	1	
L2		LR73Z0AD100M	CHIP INDUCTOR		1	
CN1		EB760AA-1020A	B TO B CONNE		1	
FL80		L7K-0038-00	FILTER		1	
J60		E1B-0037-00	3.5D PHONE JACK		1	
J80		E5J-0069-00	USB TERMINAL		1	
S1		S7A-0001-00	TACTILE PUSH SW		1	
S2		S7A-0001-00	TACTILE PUSH SW		1	
S3		S7A-0001-00	TACTILE PUSH SW		1	
S4		S7A-0001-00	TACTILE PUSH SW		1	
S5		S7A-0001-00	TACTILE PUSH SW		1	
S6		S7A-0001-00	TACTILE PUSH SW		1	
S7		S7A-0001-00	TACTILE PUSH SW		1	
S8		S7A-0001-00	TACTILE PUSH SW		1	
S9		S7A-0001-00	TACTILE PUSH SW		1	
S11		S7A-0001-00	TACTILE PUSH SW		1	
S12		S7A-0001-00	TACTILE PUSH SW		1	
S13		S7A-0001-00	TACTILE PUSH SW		1	
S14		S7A-0001-00	TACTILE PUSH SW		1	
S15		S7A-0001-00	TACTILE PUSH SW		1	
S16		S7A-0001-00	TACTILE PUSH SW		1	
S18		S7A-0001-00	TACTILE PUSH SW		1	
S20		T9K-0007-00	ROTARY ENCODER		1	
VA82		F0K-0420-00	SURGE ABSORBER		1	
CD MECHA PWB ASSY (XJD-018W-00) <XJD>						
IC1		MN6627553APA	ANALOG IC		1	
IC2		BD8266EFV-M	ANALOG IC		1	
Q1		2SB1197K/QR/	TRANSISTOR		1	
C1		CK73JXR1A104K	C CAPACITOR	0.1uF 10V K	1	
C3		CK73JXR1A104K	C CAPACITOR	0.1uF 10V K	1	
C4		CK73JXR1A104K	C CAPACITOR	0.1uF 10V K	1	
C7		CK73HXR1A334K	C CAPACITOR	0.33uF 10V K	1	
C8		CC73JCH1E102J	C CAPACITOR	1000pF 25V J	1	
C9		CK73JXR1A104K	C CAPACITOR	0.1uF 10V K	1	
C10		CC73JCH1E102J	C CAPACITOR	1000pF 25V J	1	
C11		CK73JXR1A104K	C CAPACITOR	0.1uF 10V K	1	
C12		CK73JXR1A153K	C CAPACITOR	0.015uF 10V K	1	
C13		CC73JCH1E681J	C CAPACITOR	680pF 25V J	1	
C14		CK73JXR1A104K	C CAPACITOR	0.1uF 10V K	1	
C15		CK73GXR0J475K	C CAPACITOR	4.7uF 6.3V K	1	
C16		CK73HXR0J105K	C CAPACITOR	1uF 6.3V K	1	
C17		CK73HXR1A334K	C CAPACITOR	0.33uF 10V K	1	
C18		CK73JXR1H332K	C CAPACITOR	3300pF 50V K	1	
C19		CK73JXR1E223K	C CAPACITOR	0.022uF 25V K	1	
C20		CK73GXR1A106K	C CAPACITOR	10uF 10V K	1	
C21		CK73HXR1A334K	C CAPACITOR	0.33uF 10V K	1	
C26		CK73GXR1A106K	C CAPACITOR	10uF 10V K	1	
C27		CK73JXR1A104K	C CAPACITOR	0.1uF 10V K	1	
C28		CK73JXR1A104K	C CAPACITOR	0.1uF 10V K	1	
C50		CK73JXR1H682K	C CAPACITOR	6800pF 50V K	1	
C51		CK73JXR1H682K	C CAPACITOR	6800pF 50V K	1	
C52		CK73JXR1H103K	C CAPACITOR	0.01uF 50V K	1	
C53		CK73JXR1H103K	C CAPACITOR	0.01uF 50V K	1	
C55		CK73HXR1A154K	C CAPACITOR	0.15uF 10V K	1	
C60		CC73JCH1E102J	C CAPACITOR	1000pF 25V J	1	
C61		CC73JCH1E102J	C CAPACITOR	1000pF 25V J	1	
C62		CK73GXR1A106K	C CAPACITOR	10uF 10V K	1	
C82		CC73JCH1E681J	C CAPACITOR	680pF 25V J	1	
C83		CC73JCH1H120J	C CAPACITOR	12pF 50V J	1	
C84		CC73JCH1H120J	C CAPACITOR	12pF 50V J	1	
C85		CK73JXR1A104K	C CAPACITOR	0.1uF 10V K	1	
C244		CK73HXR1A154K	C CAPACITOR	0.15uF 10V K	1	
R3		RK73HB1J821J	MG RESISTOR	820Ω 1/16W J	1	
R4		RK73HB1J105J	MG RESISTOR	1MΩ 1/16W J	1	
R7		RK73HB1J272J	MG RESISTOR	2.7kΩ 1/16W J	1	
R8		RK73HB1J821J	MG RESISTOR	820Ω 1/16W J	1	
R9		RK73HB1J823J	MG RESISTOR	82kΩ 1/16W J	1	
R10		RK73FB2B4R7J	MG RESISTOR	4.7Ω 1/8W J	1	
R11		RK73HB1J822J	MG RESISTOR	8.2kΩ 1/16W J	1	
R12		RK73HB1J105J	MG RESISTOR	1MΩ 1/16W J	1	
R17		RK73HB1J123J	MG RESISTOR	12kΩ 1/16W J	1	
R18		RK73HB1J822J	MG RESISTOR	8.2kΩ 1/16W J	1	
R20		RK73HB1J103J	MG RESISTOR	10kΩ 1/16W J	1	
R21		RK73HB1J822J	MG RESISTOR	8.2kΩ 1/16W J	1	
R23		RK73HB1J183J	MG RESISTOR	18kΩ 1/16W J	1	
R24		RK73HB1J272J	MG RESISTOR	2.7kΩ 1/16W J	1	
R26		RK73HB1J223J	MG RESISTOR	22kΩ 1/16W J	1	
R28		RK73HB1J114J	MG RESISTOR	110kΩ 1/16W J	1	
R31		RK73HB1J821J	MG RESISTOR	820Ω 1/16W J	1	
R32		RK73HB1J821J	MG RESISTOR	820Ω 1/16W J	1	
R33		RK73HB1J131J	MG RESISTOR	130Ω 1/16W J	1	
R37		RK73HB1J103J	MG RESISTOR	10kΩ 1/16W J	1	
R44		RK73HB1J101J	MG RESISTOR	100Ω 1/16W J	1	
R47		RK73HB1J101J	MG RESISTOR	100Ω 1/16W J	1	
R48		RK73HB1J101J	MG RESISTOR	100Ω 1/16W J	1	

MODEL	MARK
DPX505BT	K0

Safe	Symbol No.	Parts No.	Parts Name	Description	QTY	Local
	R49	RK73HB1J101J	MG RESISTOR	100Ω 1/16W J	1	
	R50	RK73HB1J101J	MG RESISTOR	100Ω 1/16W J	1	
	R51	RK73HB1J101J	MG RESISTOR	100Ω 1/16W J	1	
	R52	RK73HB1J562J	MG RESISTOR	5.6kΩ 1/16W J	1	
	R53	RK73HB1J562J	MG RESISTOR	5.6kΩ 1/16W J	1	
	R54	RK73HB1J562J	MG RESISTOR	5.6kΩ 1/16W J	1	
	R305	RK73HB1J101J	MG RESISTOR	100Ω 1/16W J	1	
	L1	LB73G0EA-002	CHIP FERRITE		1	
	L2	LB73H0AY-004	CHIP FERRITE		1	
	L3	LB73H0AY-004	CHIP FERRITE		1	
	CN1	EC720AE-1026B	FFC FPC CONNE		1	
	CN2	EC720AK-0515A	FFC FPC CONNE		1	
	S1	S6J-0010-00	PUSH SWITCH		1	
	S2	S6J-0010-00	PUSH SWITCH		1	
	S3	S6J-0011-00	PUSH SWITCH		1	
	X1	L7J-0005-00	QUARTZ CRYSTAL		1	